



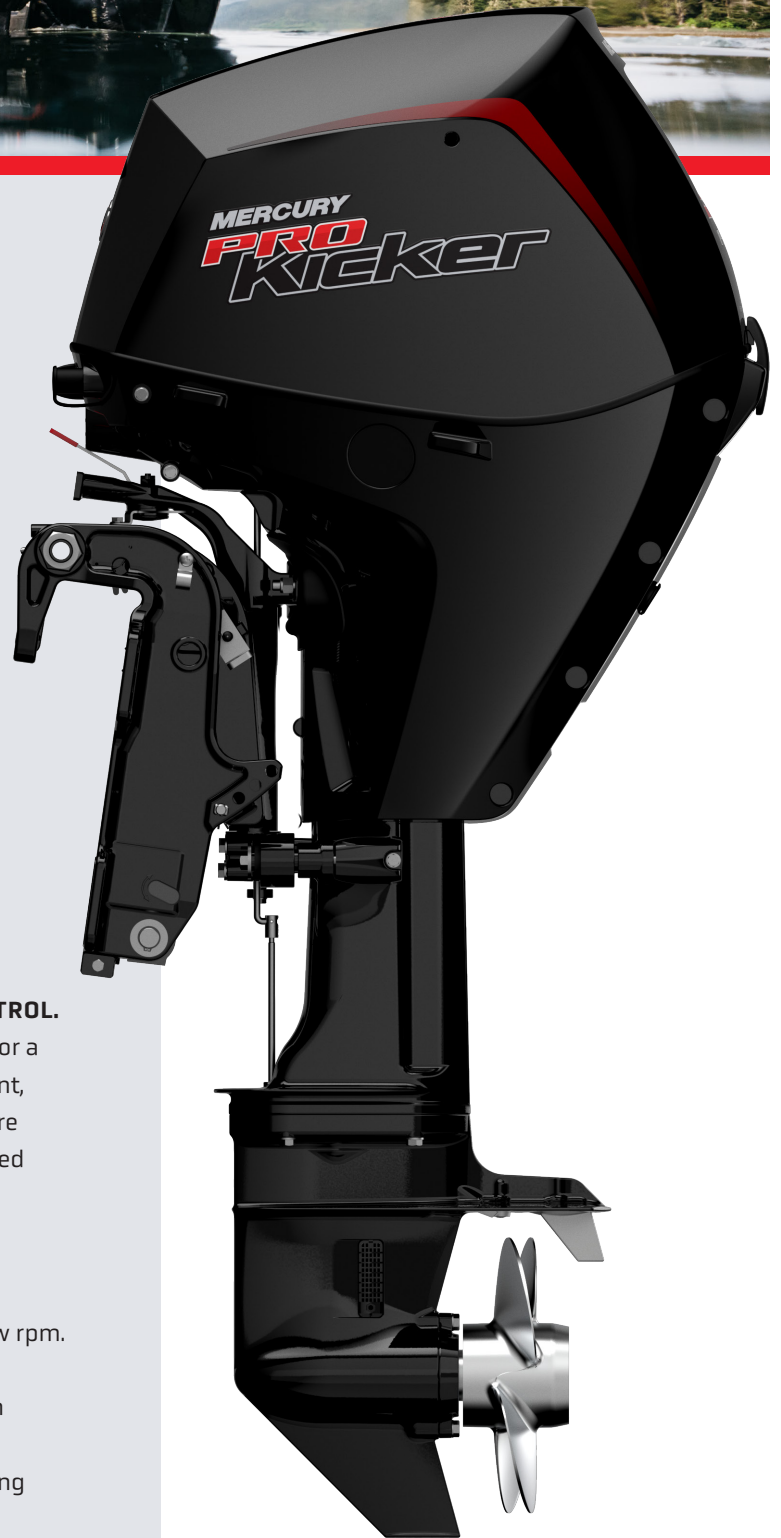
# 9.9/15 25HP ProKicker™

## QUIET PERFORMANCE. PRECISE SPEEDS. COMPLETE CONTROL.

Mercury ProKicker outboards enable precision boat control for a wide range of fishing applications. Quiet, smooth and efficient, they make long hours of trolling more productive – and more enjoyable. Choose from remote controls or the most advanced tiller in the industry to steer your way to a greater catch.

- Electronic fuel injection (on most models) delivers surefire starting in all weather.
- High-thrust four-blade props enhance speed control at low rpm.
- Standard power tilt makes stowing and deploying easy.
- Centering straps automatically stabilize tiller models when tilted up.
- Class-leading alternator provides powerful battery-charging output at all speeds.

LEARN MORE AT [MERCURYMARINE.COM/ProKicker](https://www.mercurymarine.com/ProKicker)



 **MERCURY**  
GO BOLDLY.™

# THE MERCURY TILLER: GET AHOLD OF BETTER BOAT CONTROL



## INTUITIVE HANDLING

The nearly 23-inch tiller features forward-mounted power trim buttons, an oversized shift lever and an engine stop button on the end of the grip. So you'll never have to reach for what you need.

## ADJUSTABLE CONTROL

Port side or starboard, you pick the mounting location, and the tiller adapts to you. Its reversible throttle grip can be configured for control with either hand, while lateral adjustments ensure a convenient steering angle.

## COMFORTABLE SETTINGS

Whether you sit or stand while you troll, the down-angle stop keeps the tiller at the right height for comfortable steering. Throttle friction can also be adjusted to maintain speed, freeing up your hands to fight fish or tend lines.



## THE POWER TO DO MORE

### Standard on 25hp ProKicker outboards

SmartCraft® compatibility keeps you fully connected with your engine through digital gauges, touchscreen VesselView® displays and advanced technologies such as Troll Control, which helps you manage speed by locking in engine rpm and adjusting it in 10-rpm increments.

## MAINTENANCE MADE EASY

Spend less time on service and more time fishing with our no-spill oil change system, easy-change gear lube, quick-connect flush system and lifetime maintenance-free valve train.

## SPECIFICATIONS

HORSEPOWER	9.9 CARB	9.9 EFI	15 EFI	25 EFI
HP/kW @ Prop	9.9/7.4	9.9/7.4	15/11.1	25/18.4
Max RPM (WOT)	5,000 - 6,000	5,700 - 6,200	5,700 - 6,200	5,400 - 5,800
Cylinder/Configuration	1-2	1-2	1-2	1-3
Displacement (cc)	208cc / 12.8cid	333cc / 20.3cid	333cc / 20.3cid	500cc / 30.5cid
Fuel System	Carbureted	EFI	EFI	EFI
Alternator Amp/Watt	6/76 Electric	12/145 Electric	12/145 Electric	17/210 Electric
Starting	Electric w/manual backup	Electric w/manual backup	Electric w/manual backup	Electric
Gear Ratio	2.42:1	2.15:1	2.15:1	2.17:1
Propeller	7P 4-Blade	7P 4-Blade	7P 4-Blade	Sold separately
Steering	Tiller or Remote	Tiller or Remote	Tiller or Remote	Tiller or Remote
Trim Positions	Power Tilt	Power Tilt	Power Tilt	Power Tilt
SmartCraft Technology	No	No	No	Yes
Operator Warning System	Engine Guardian	Engine Guardian	Engine Guardian	Engine Guardian
Shaft Length (in)	20/25	20/25	20/25	20/25
Shaft Length (mm)	608/635	508/635	508/635	508/635
Dry Weight (lbs/kgs)	108/49	122/56	122/56	146/66.3

\*Dry Weight: Lightest version model, excludes engine oil, rigging, hardware.



**WARRANTY** | Mercury ProKicker outboards used for recreational purposes come with a standard three-year limited warranty and industry-leading three-year corrosion warranty.