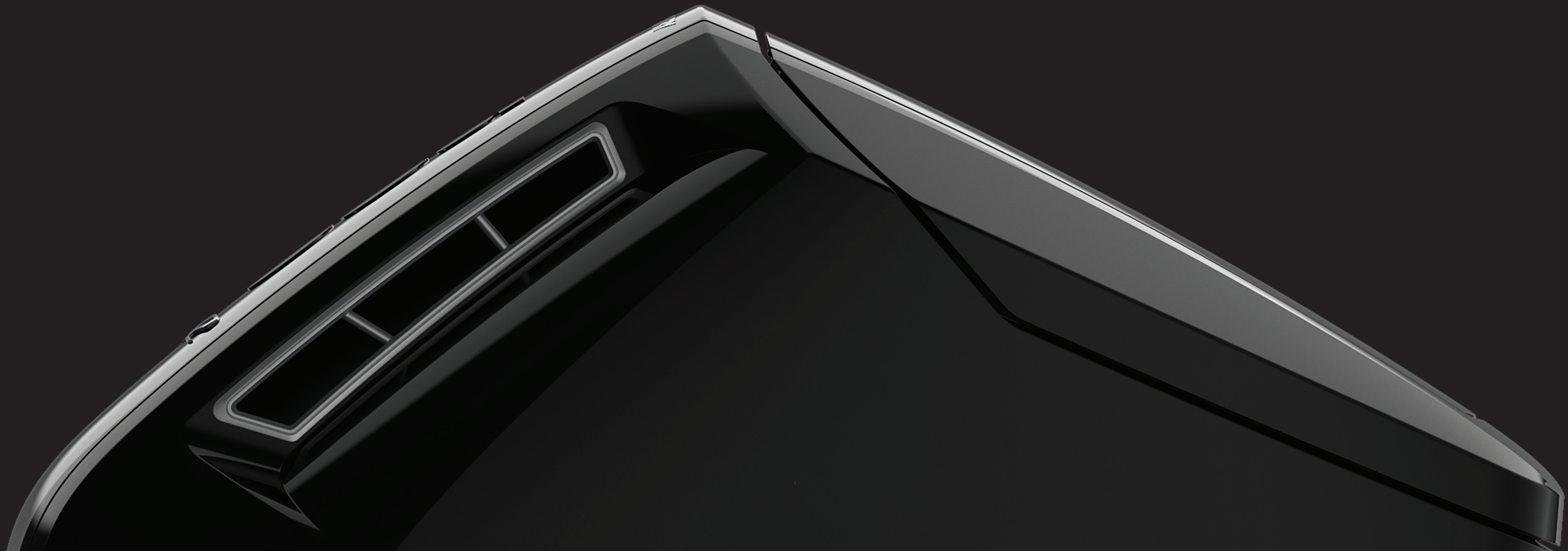




V12

7.6L V12 600HP

VERADO



VERADO

Power.
Luxury.
Freedom.

Furthering the legacy of the Verado engine family, Mercury reimagined outboard performance to deliver the ultimate luxury boating experience. Meet the most powerful, most innovative outboard in Mercury history. The 7.6L V12 600hp Verado.

POWER TO REACH NEW WATERS. / LUXURY BEYOND EXPECTATIONS. / FREEDOM TO SEEK NEW HORIZONS.





Power to reach new waters.

The unwavering strength of a V12 powerhead and the capabilities of 600hp deliver extraordinary range and performance to take your boating adventures to new destinations.

Powerhead

The 7.6L V12 600hp Verado® outboard delivers flawless performance and uncompromising reliability from the outboard segment's first V12 powerhead.

Its 7.6-liter displacement and performance-inspired quad-cam design generate superior torque and acceleration to lift heavy boats on plane and conquer the water with confidence. With the strength of the V12 Verado outboard behind you, freedom is as easy as deciding how far you want to go and how fast you want to get there.



7.6L

DISPLACEMENT (7.6L)

Whether you're heading toward uncharted fishing destinations or cruising with a full crew, the V12 600hp Verado outboard's impressive 7.6 liters of displacement make easy work of propelling heavy vessels.

QUAD CAM

The performance-inspired quad-cam design is tuned to power big boats out of the hole and over the swell. Even at midrange, you'll experience instant acceleration and an exhilarating boost the moment you lean into the throttle.

TRANSIENT SPARK TECHNOLOGY

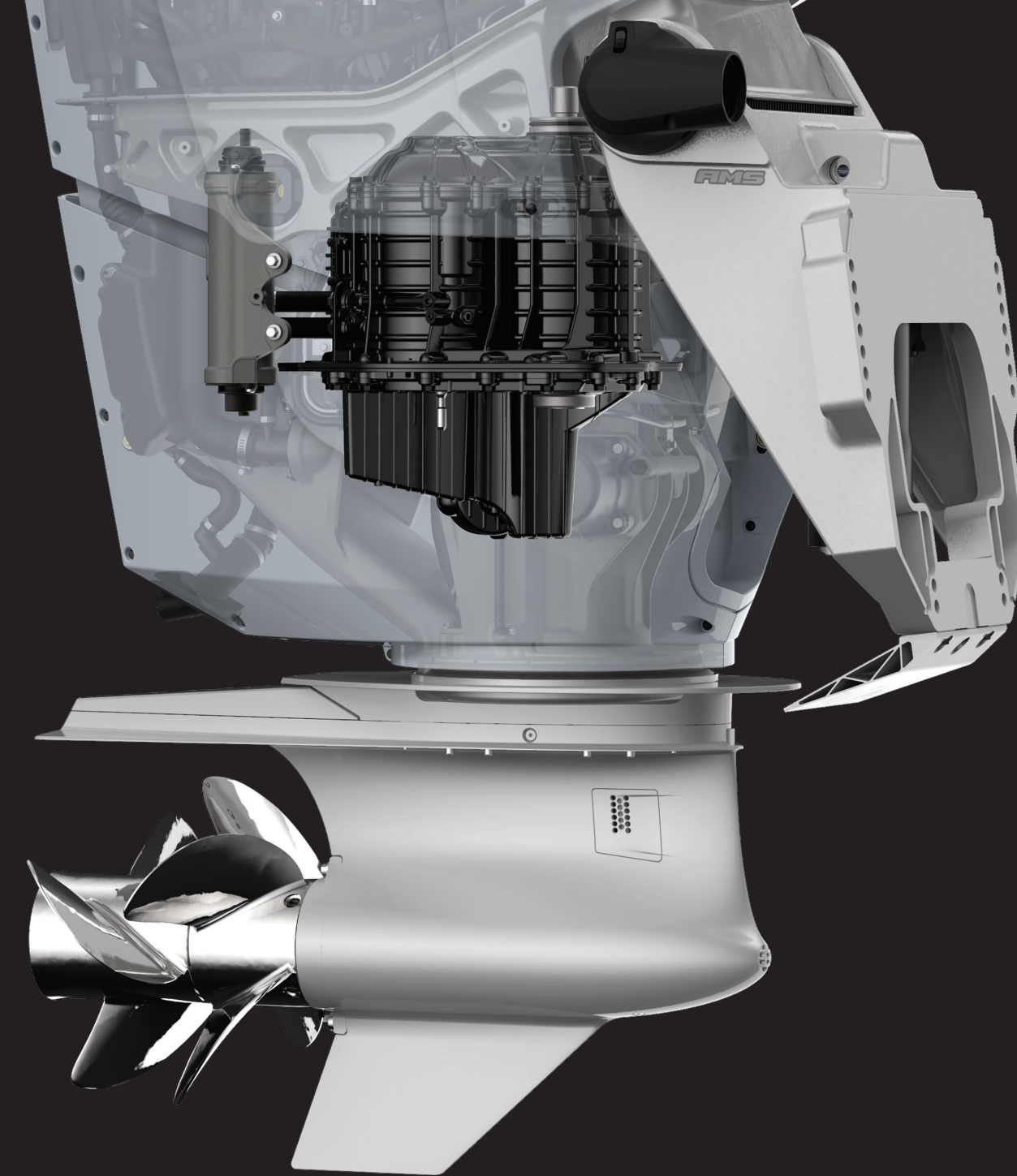
Transient Spark technology calibrates spark plug timing to optimize low-end power. The result is performance you can feel: greater torque, faster hole shots and sensational acceleration.

Transmission

Smooth. Quiet. Effortless. Our innovative two-speed automatic transmission is the first in the industry and was crafted exclusively for the 7.6L V12 600hp Verado® outboard.

SHIFTING WHAT'S POSSIBLE

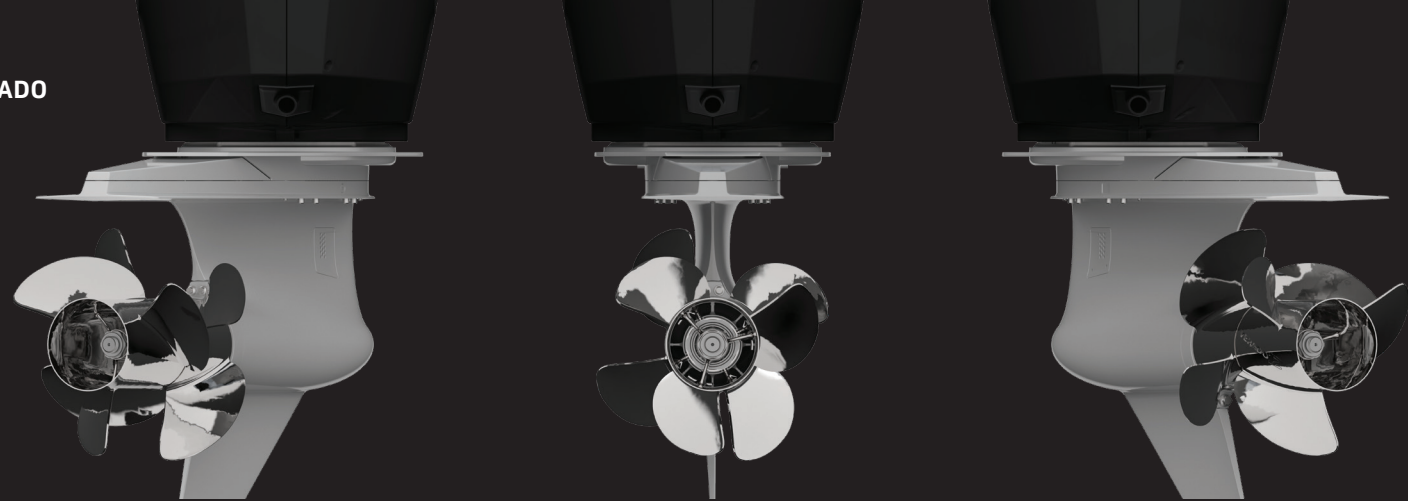
The two-speed transmission makes effortless work of transferring 600hp to the gearcase. Enjoy maximum torque and acceleration in first gear to get the boat on plane quickly before the transmission silently shifts to second. No shift clunk. No limitations. Only smooth, impressive power.





Luxury beyond expectations.

Delight in the experience of smooth, quiet Verado performance. Gracefully refined. Total luxury.



Steerable Gearcase

Mercury® revolutionized the way boats handle by designing the outboard segment's first steerable gearcase exclusively for the 7.6L V12 600hp Verado® outboard.

INTEGRATED ELECTRO-HYDRAULIC STEERING

With smooth electro-hydraulic controls, the steerable gearcase immediately responds to your commands for more precise maneuverability around docks and effortless handling in open water.

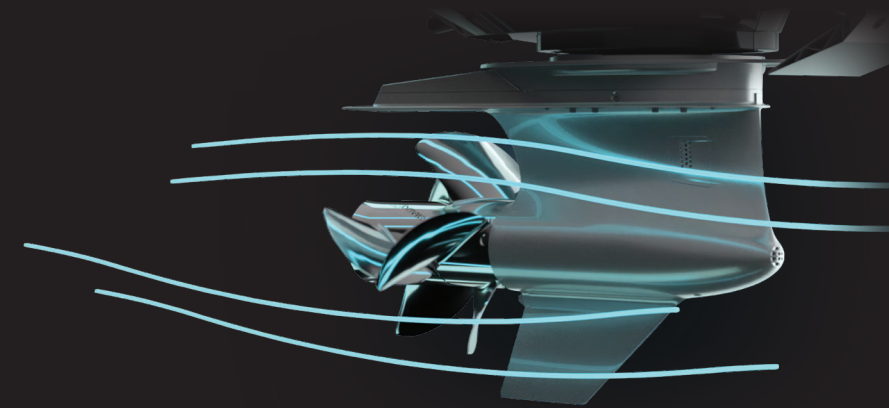
Verado12 Propellers

Decades of propeller mastery went into crafting a new series of dual props that harness the full potential of the V12 Verado outboard.

Designed to run in a contra-rotating configuration, the new propellers power the boat on plane swiftly and efficiently, while delivering exceptional handling and fuel economy.

HYDRODYNAMICS

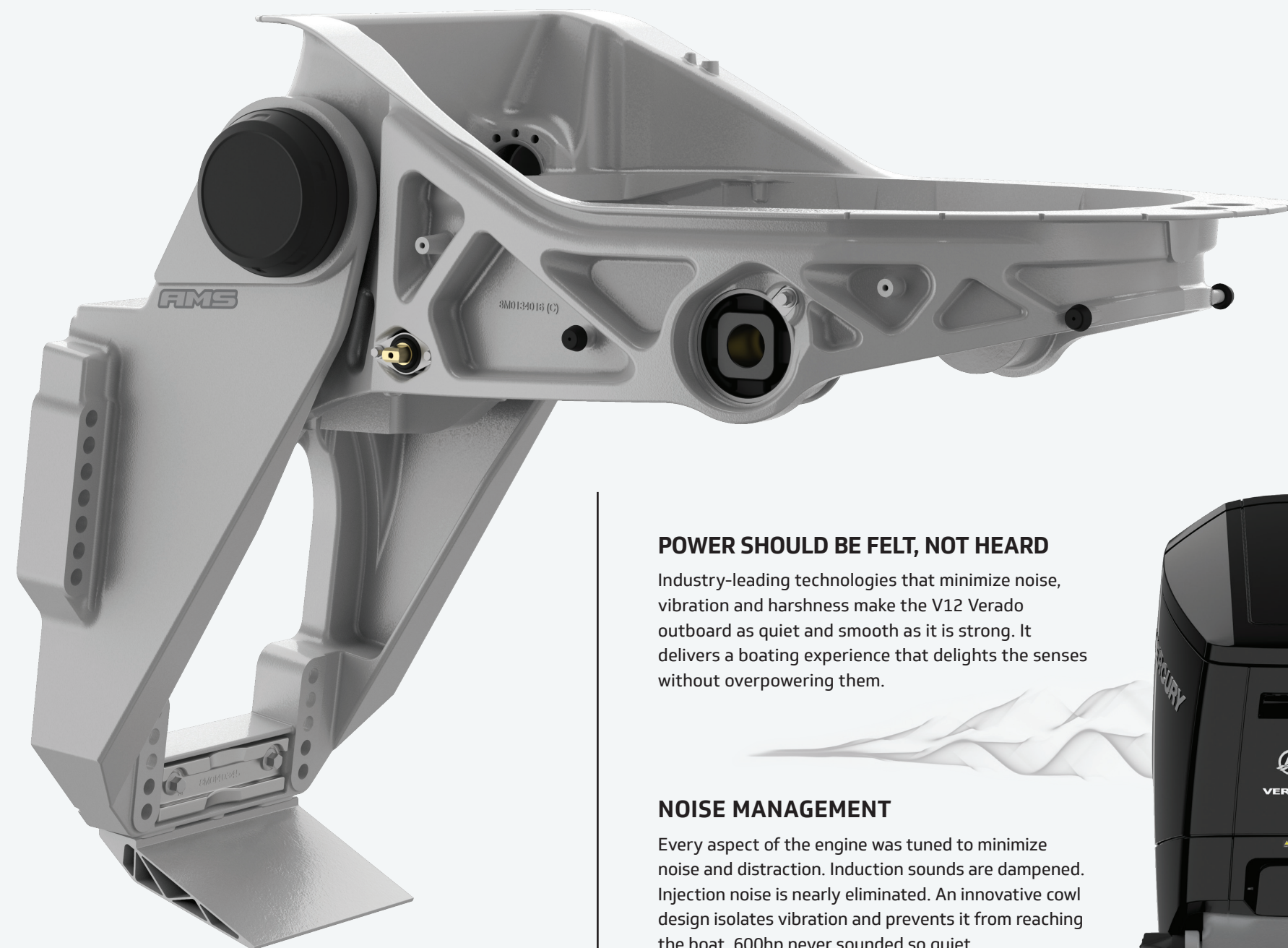
An advanced drive design results in exceptional hydrodynamics, reducing drag and enhancing stability at high speeds.



Advanced MidSection

Mercury® crafted the Advanced MidSection (AMS) mounting system exclusively for the Verado® engine family, helping to establish an industry-leading legacy of delivering smooth, quiet power and a premium boating experience.

The 7.6L V12 600hp Verado outboard builds on that legacy with a next-generation AMS system that's more rugged and even more refined. All you'll feel is the horsepower gracefully propelling you forward.



POWER SHOULD BE FELT, NOT HEARD

Industry-leading technologies that minimize noise, vibration and harshness make the V12 Verado outboard as quiet and smooth as it is strong. It delivers a boating experience that delights the senses without overpowering them.

NOISE MANAGEMENT

Every aspect of the engine was tuned to minimize noise and distraction. Induction sounds are dampened. Injection noise is nearly eliminated. An innovative cowl design isolates vibration and prevents it from reaching the boat. 600hp never sounded so quiet.

An aerial, high-angle photograph of a ship's wake in the ocean. The wake is a long, narrow, and highly textured trail of white and grey water, showing the churning and turbulence of the vessel's movement. The surrounding water is a deep, dark blue, providing a stark contrast to the white foam of the wake. The perspective is from directly above, looking down the length of the wake as it extends from the top left towards the bottom right of the frame.

Freedom to seek new horizons.

Unmatched range and ease of ownership.
So you can pursue your passions without limits.

Under the Cowl

We changed the way the marine industry thinks about outboard maintenance so you barely need to think about it at all.

The 7.6L V12 600hp Verado® outboard can run for an astonishing 200 hours between oil changes and features an innovative top cowl service hood that makes servicing critical components a snap wherever you are on the water. With hassle-free maintenance and the backing of our extensive global service network, you have the freedom to travel farther and stay out longer than ever before.

Maintenance

Routine service can be performed wherever you are on the water, eliminating the hassles of trailering large boats or lifting them out of the water for maintenance. An innovative cowl hood was designed exclusively for the V12 Verado outboard to make service faster and more convenient, while color-coded touch points inside speed up the process to get you back on the water.

EASE OF MAINTENANCE (200 & 1000HRS)

The V12 Verado outboard is capable of operating for up to 200 hours between regular service, which can be performed conveniently through the cowl hood while the boat is in the water. The entire top cowl doesn't have to come off for additional maintenance until 1,000 hours or five years of operation.

ALTERNATOR/IDLE CHARGE

A powerful 150-amp alternator swiftly charges onboard batteries and intelligently supports the boat's electrical system to ensure that no matter what amenities you bring onboard, you'll always have the power that you need. Even at idle, the system is working for you by monitoring battery voltage and adjusting engine rpm as needed to boost alternator output.



Driving Experience

Driving a 7.6L V12 600hp Verado® outboard defies what you'd expect from an engine this powerful.



Next Gen DTS

Standard Next Gen Digital Throttle & Shift (DTS) controls feature an enhanced ergonomic design for comfortable driving and push-button access to advanced systems such as Active Trim incorporated directly on the control. Smooth, effortless shifting and instant throttle response combine with electro-hydraulic steering to deliver a premium driving experience.



JPO and Skyhook Advanced

Refined control. That's what you get when docking with Joystick Piloting or "digitally anchoring" with Skyhook® Advanced Features and V12 Verado outboards. Because the engines remain static and steering adjustments are done by the gearcases underwater, there's no clunky movement above water and less noise. Only smooth, effortless handling.



VesselView

VesselView® displays transform the helm of the boat into the ultimate command center by linking together the Mercury propulsion system with compatible onboard accessories. You can monitor engine data, control SmartCraft® digital technologies, view charts and sonar, and even operate onboard entertainment systems.

Fuel System

The V12 Verado outboard lets you go farther and explore further. Every system is optimized to enhance fuel efficiency and increase your on-water range.



Fuel Type / Economy (Go Farther)

The V12 Verado outboard is calibrated to deliver full performance on 87-octane fuel, with a host of efficiency-enhancing features such as a hydrodynamic gearcase and intelligent fuel system that optimize fuel economy to extend your range on the water.



Advanced Range Optimization

Advanced Range Optimization (ARO) enables you to go farther on every outing by precisely adjusting fuel delivery for the best possible efficiency at cruise.



Closed-Loop Fuel System

Oxygen sensors in the closed-loop fuel system detect potential inefficiencies and trigger precise adjustments to the fuel mixture to achieve maximum performance from every drop.

Specifications

600hp Verado®

Horsepower	600
Midsection Design	Advanced MidSection (AMS)
Engine Type	V12
Displacement	461 cu in (7.6L)
Bore & Stroke	3.8" x 3.4" (96mm x 87mm)
Max RPM at Full Throttle	5600-6400
Idle Rpm	700
Induction System	Performance-Tuned Intake Manifold
Fuel System	Electronic Fuel Injection [EFI] Computer Controlled with Advanced Range Optimization
Fuel Requirements	Unleaded Regular 87 Octane Minimum (R+M/2) or 90 RON 10% Ethanol Maximum
Ignition System	SmartCraft PCM 196 Digital Inductive
Charging System	150-Amp with Idle Charge
Starting	Electric Start with SmartStart Protection
Exhaust System	Through Prop
Cooling System	Water-Cooled with Thermostat Control
Lubrication System	Integrated Wet Sump
Oil Recommendation	Mercury or Quicksilver® NMMA® FC-W® Certified SAE 10W-30 Full Synthetic
Oil Requirement	10W-30
Oil Capacity	13.3L (14 US qt)
Engine Management System	Electronic Sequential Port Fuel Injected
Throttle and Shift Controls	Next Gen Digital Throttle & Shift (DTS)
Engine Protection System	SmartCraft Engine Guardian
Trim/Tilt System	Power Trim and Tilt
Troll Control RPM Limit	700-1100
Gearcase	6.4"
Propellers	Contra-rotating
Overall Gear Ratio (forward)	2.50:1
Gear Shift	F2-F1-N-R
Gear Lube Capacity	3.8L (4.0 US qt)
Transmission Shift Type	2-Speed Dual Wet Clutch
Transmission Fluid Capacity (with filter change)	6.6L (7.0 US qt)
Dry Weight (lbs./kg)	1260lbs (572kg)
Steering Angle	+/- 45 Degrees
Steering	Integrated Electro-Hydraulic Power-Steering
Mounting Centers	27"
CARB Star Rating	3-Star



Phantom Black



Warm Fusion White



Pearl Fusion White



Cold Fusion White

Color Choices

(600hp only)

The V12 600hp Verado outboard is available in three shades of white – Cold Fusion White, Warm Fusion White and Pearl Fusion White – plus traditional Phantom Black. It's also available in a paint-ready finish package that ships ready for customization.



Engine Guardian

Explore farther with confidence knowing that the Mercury Engine Guardian system is at work. The system, available on all Verado outboards, monitors engine performance with more than 40 sensors to detect potential problems early and adjusts engine performance to get you back to shore.



Corrosion Protection

Hard anodized finishes on critical components do such an exceptional job of protecting the engine from corrosion and breakdown that Mercury backs the V12 600hp Verado outboard with the industry's only three-year corrosion warranty.



Warranty

Your investment is safe thanks to a standard three-year limited warranty that also extends to Mercury Precision Parts® components and SmartCraft displays and hardware.





MercuryMarine.com/V12

FEBRUARY 2022 90-8M0191248

© 2022 Mercury Marine. All Rights Reserved. Reproduction in whole or in part without permission is prohibited. Circle M Logo, Go Boldly, Mercury, Mercury Marine, Mercury Propellers, Quicksilver, Skyhook, SmartCraft, Verado and VesselView are trademarks of Brunswick Corporation. NMMA and FC-W are registered trademarks of the National Marine Manufacturers Association, Inc.

Product information in this brochure is accurate as of February 1, 2022. For the latest content, please visit MercuryMarine.com