



PARTS BREAKDOWN WILDLAND WATER PUMP

MODEL:WS1565H



BEPOWEREQUIPMENT

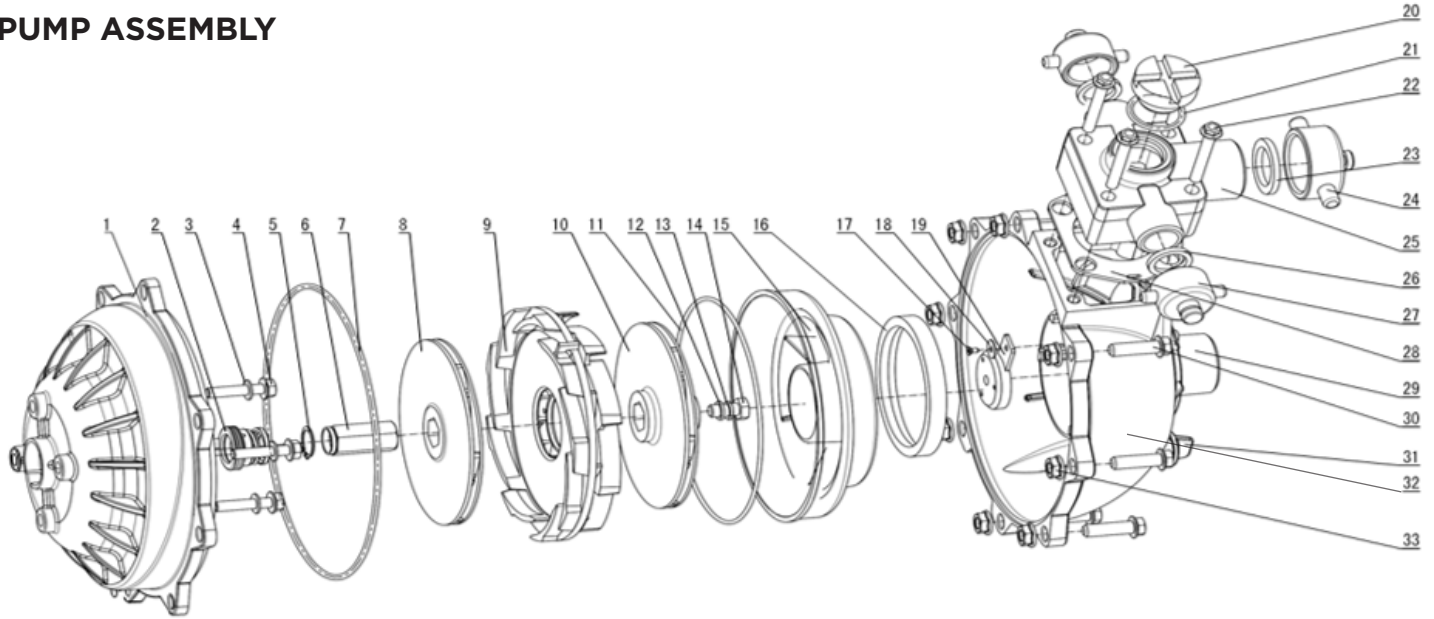
.COM



PARTS BREAKDOWN WILDLAND WATER PUMP

MODEL:WS1565H

PUMP ASSEMBLY



REF #	DESCRIPTION	QTY	BE PART #
1	Pump Joint	1	50.015.024
2	Mechanical Seal	1	50.015.020
3	Sealed Washer	5	
5	O-Ring	1	
7	O-Ring	1	
16	Sealing Washer	1	
19	Inlet Check Valve	1	
28	Outlet Gasket	1	50.015.022
8	Impeller	1	
9	Diffuser	1	
10	Impeller	1	50.015.025
15	Diffuser Cover	1	
14	Bolt	1	50.015.026
32	Pump Body	1	50.015.027
20	Plug	2	50.015.021
21	Plug O-ring	2	
26	1.5" Sealing Ring	2	50.015.023
23	2" Sealing Ring	2	
24	2" Spanner	1	
27	1.5" Spanner	2	

BE

POWER EQUIPMENT

If you need technical assistance call:

1-866-850-6662

(8:00am - 4:30pm PST, Mon - Fri)