



PARTS BREAKDOWN

2" HIGH-PRESSURE PUMP

MODEL:HP-2013HR



BEPOWEREQUIPMENT

.COM

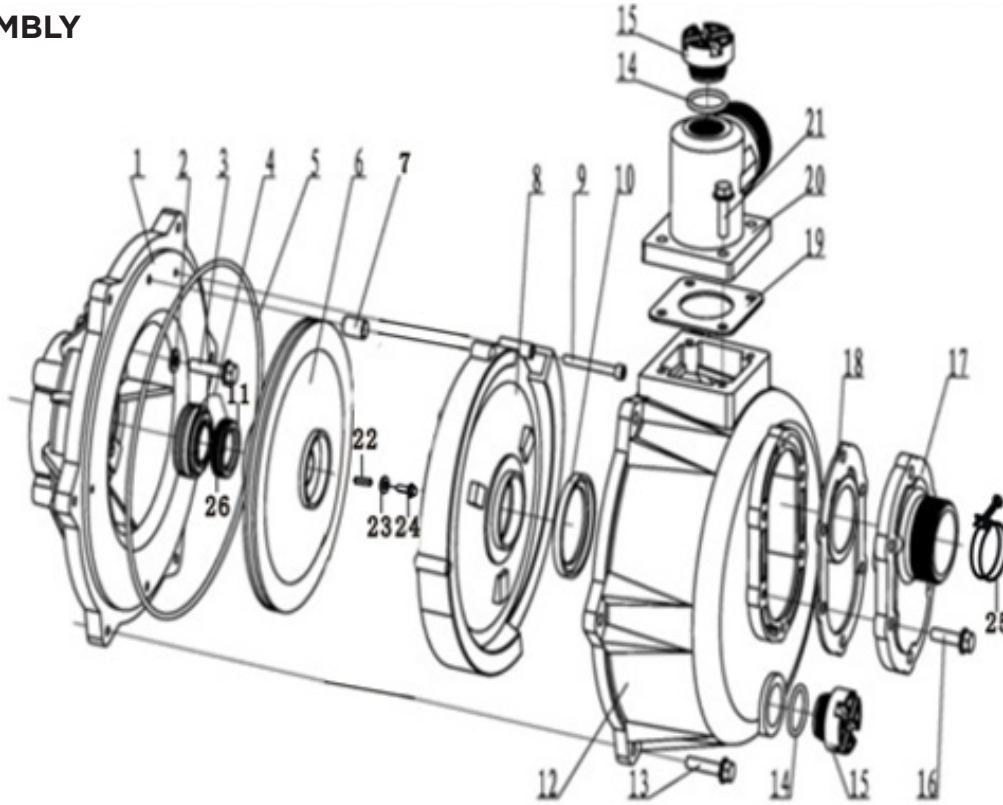


PARTS BREAKDOWN

2" HIGH-PRESSURE PUMP

MODEL:HP-2013HR

PUMP ASSEMBLY 'RS' TYPE



REF #	DESCRIPTION	QTY	BE PART #
1	Water Pump Joint	1	50.002.280
4	Mechanism Seal Assembly	1	50.002.282
26	Porcelain Seal	1	
11	Impeller Seal Ring	1	
5	Cushion, Water Pump Joint	1	
10	Whorl Case Seal Ring	1	
18	Inlet Gasket	1	
19	Outlet Gasket	1	
6	Water Pump Impeller	1	50.002.281
12	Pump Body	1	50.002.283
14	Screw Plug Washer	2	50.002.263
15	Thread Plug	2	
17	Water Outlet	1	50.002.264
20	Water Inlet	1	
8	Whorl Case	1	50.002.284
**	Complete Pump and Frame Kit	1	85.150.206

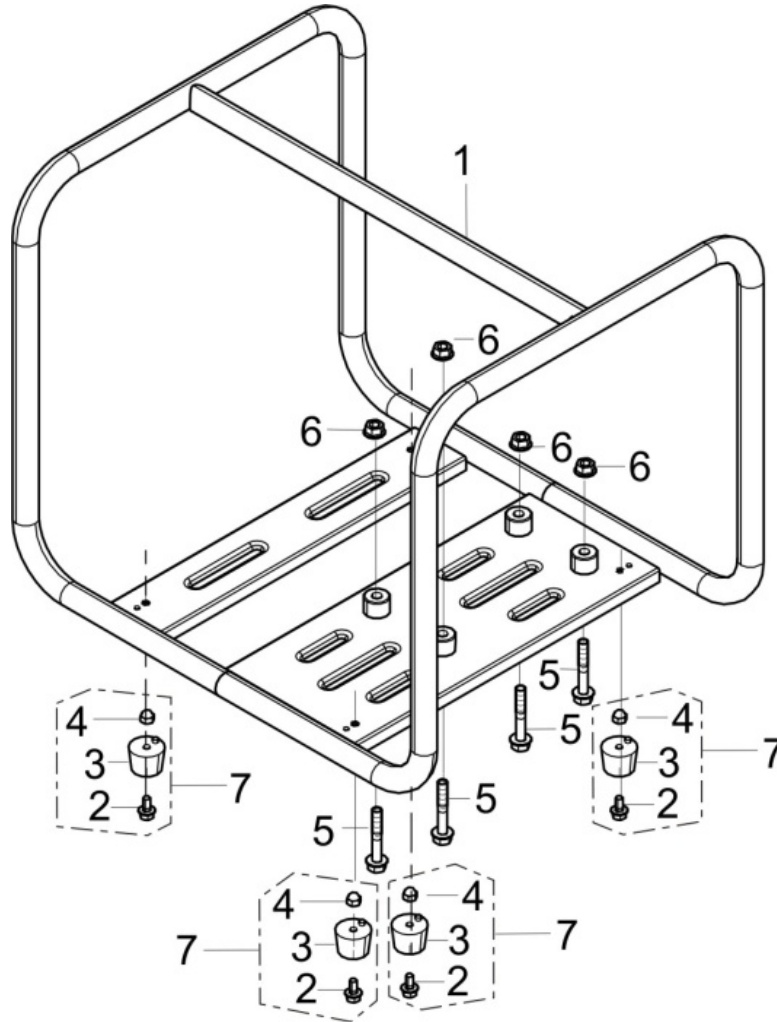


PARTS BREAKDOWN

2" HIGH-PRESSURE PUMP

MODEL:HP-2013HR

FRAME ASSEMBLY



REF #	DESCRIPTION	QTY	BE PART #
2	Bolt	4	50.002.205
3	Engine Frame Shock Absorption Seat	4	
4	Acorn Nut	4	

***CHECK WITH HONDA FOR ENGINE BREAKDOWN AND PARTS**

BE

POWER EQUIPMENT

If you need technical assistance call:

1-866-850-6662

(8:00am - 4:30pm PST, Mon - Fri)