



# HD TOW-BEHIND SPREADER MFS350T



## OPERATIONS & PARTS MANUAL

FOR MODELS:

- MFS350T

PURCHASE DATE	MODEL NO.	SERIAL NUMBER
DEALER		

## TABLE OF CONTENTS

<b>3</b>	SAFETY INFORMATION
<b>3</b>	ASSEMBLY INSTRUCTIONS
<b>16</b>	GENERAL WARNING
<b>17</b>	SPREADING CHART FOR SEED
<b>18</b>	MAINTENANCE
<b>19</b>	EXPLODED DIAGRAM AND PARTS LIST

## SAFETY INFORMATION

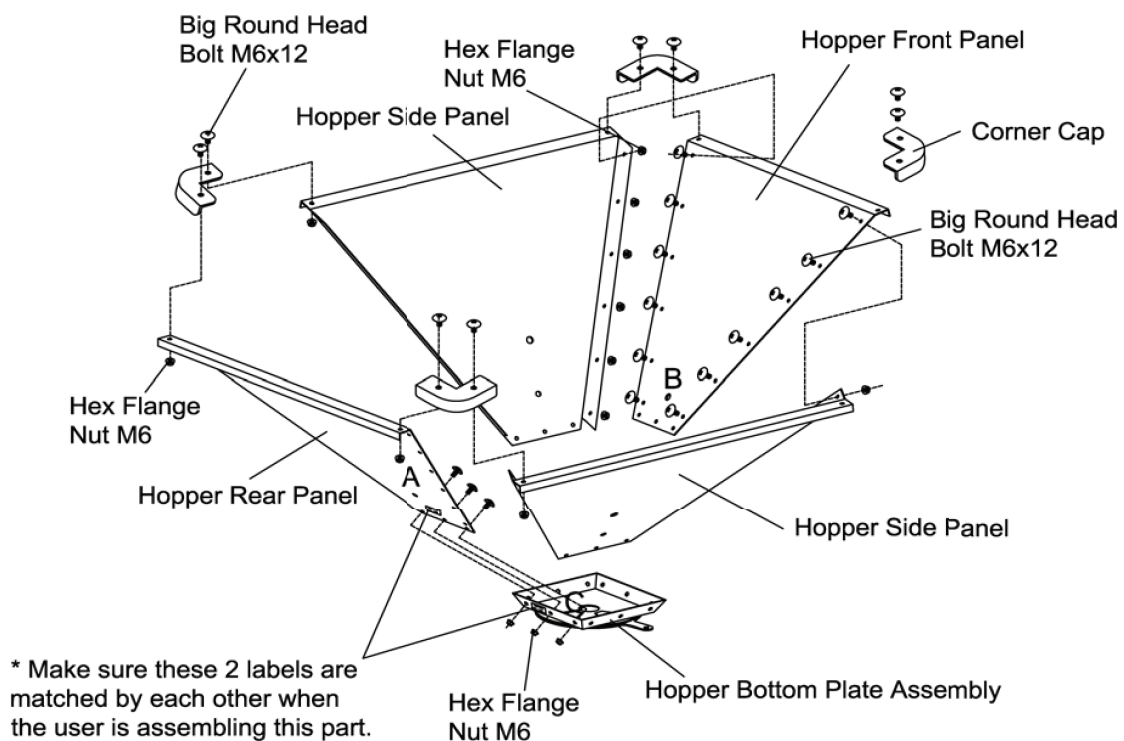
### READ THE DIRECTIONS BEFORE ASSEMBLY

- Read the towing vehicle owner's manual and towing vehicle safety rules. Know how to operate your tractor before using the tow-behind spreader.
- Read the chemical label instructions and cautions for handling and applying the chemicals purchased for spreading.
- Wear eye hand protection when handling and when applying lawn or garden chemicals.
- Never operate tractor and spreader attachment without wearing substantial footwear and do not allow anyone to ride or sit on spreader attachment frame.
- Never allow children to operate the tractor or spreader attachment and do not allow adults to operate without proper instructions.
- Always begin with the transmission in first (low) gear, with the engine at low speed and gradually increase speed as conditions permit.
- When towing spreader do not drive too close to a creek or ditch and be alert for holes and other hazards which could cause you to lose control of the spreader and tractor.
- Before operating vehicle on any grade (hill) refer to the safety rules in the vehicle owner's manual.

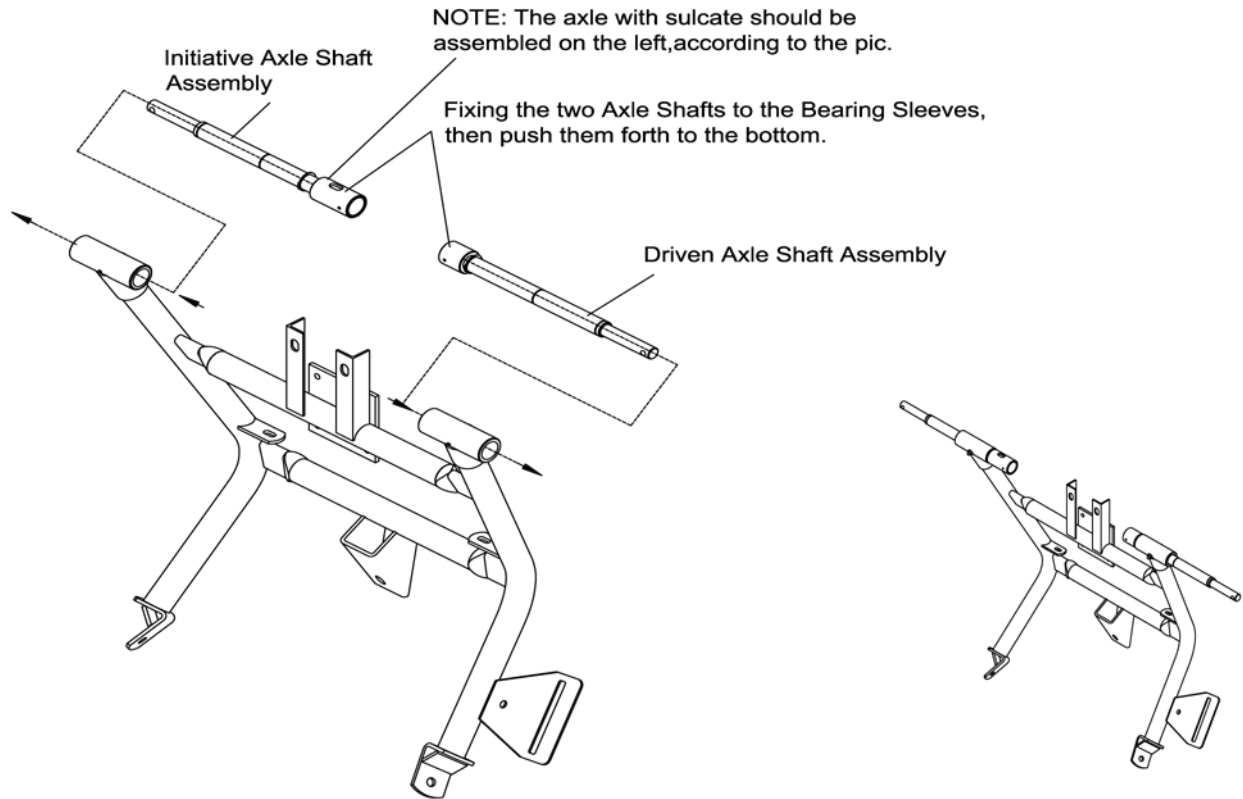
### ASSEMBLY INSTRUCTIONS

#### Step 1:

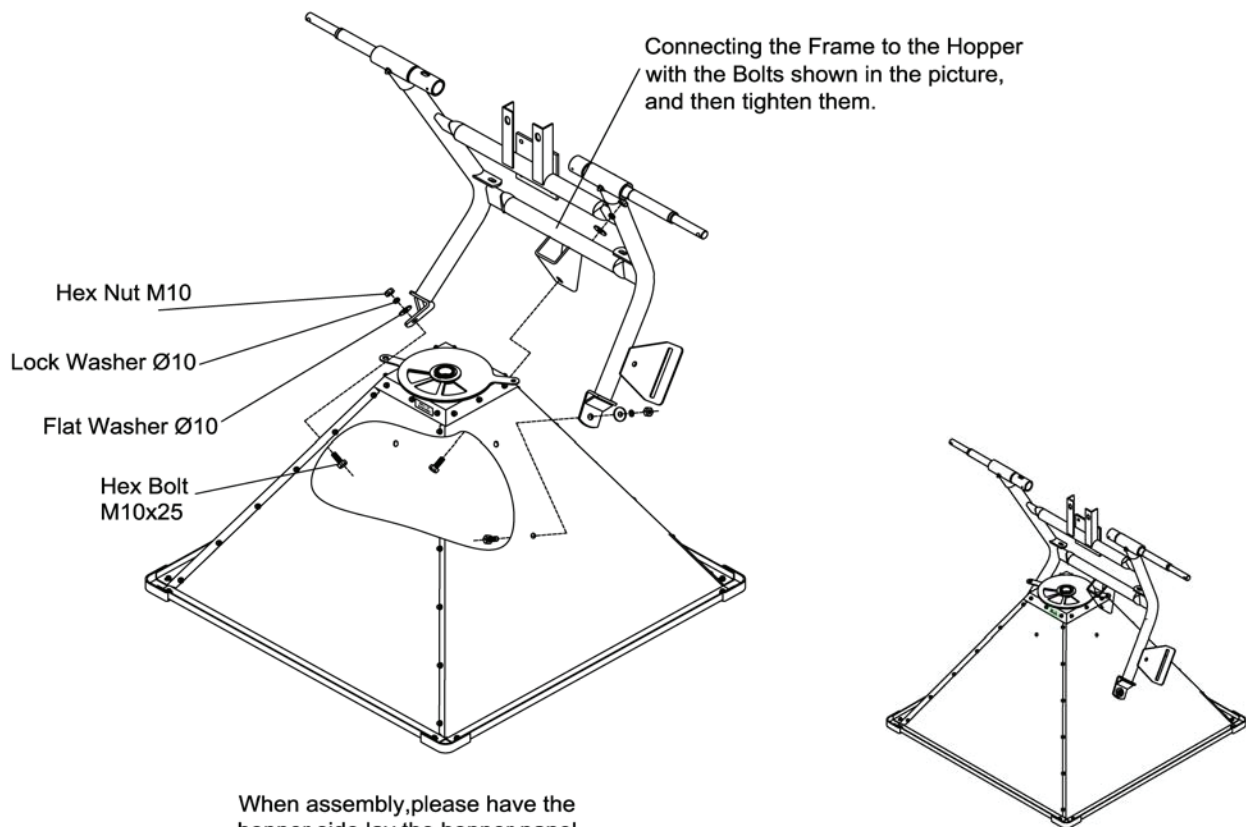
- 1) Assemble the 4 panel by bolt and nuts according to drawing.
- 2) Assemble the hopper bottom plate by bolts and nuts.
- 3) Assemble the 4 Corner Cap by bolts and tighten all the bolts and nuts.
- 4) Adjust the direction of hopper for easy assembly.



**Step 2:** The hopper needs to be downwards.

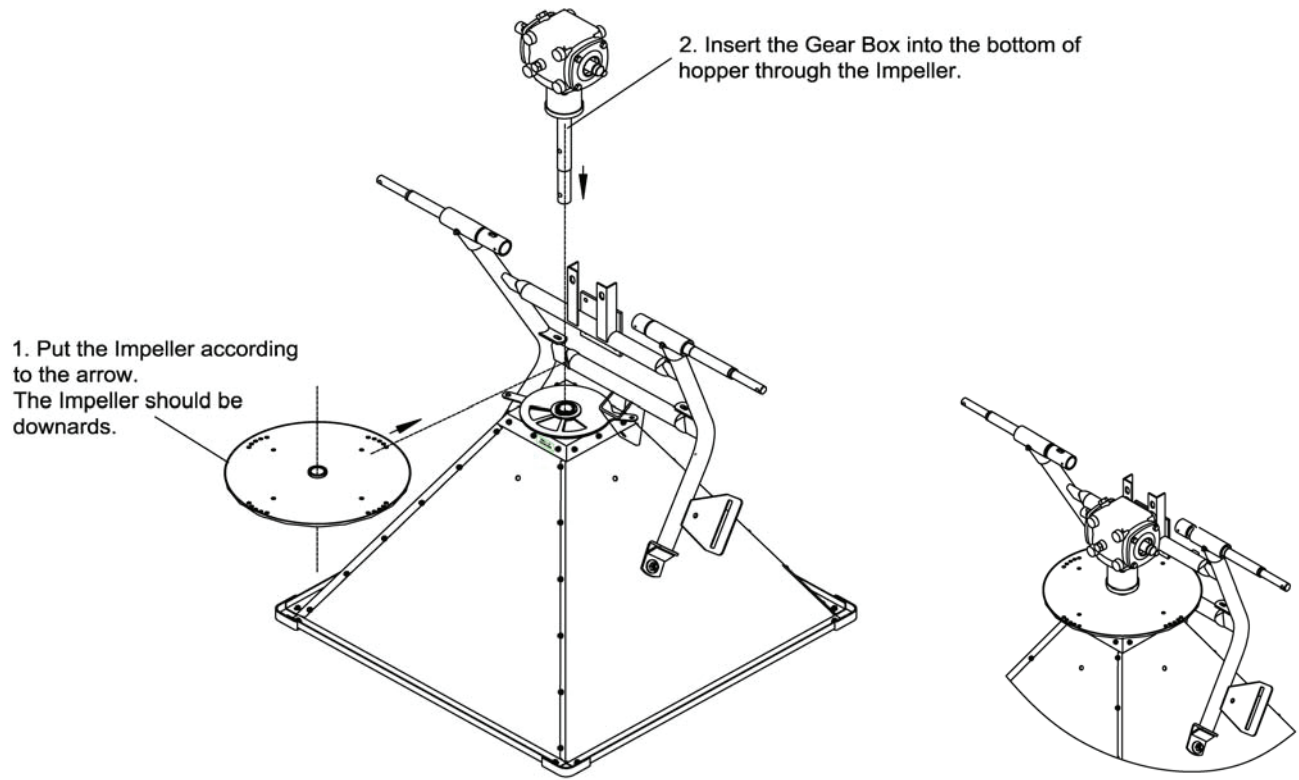


**Step 3:**

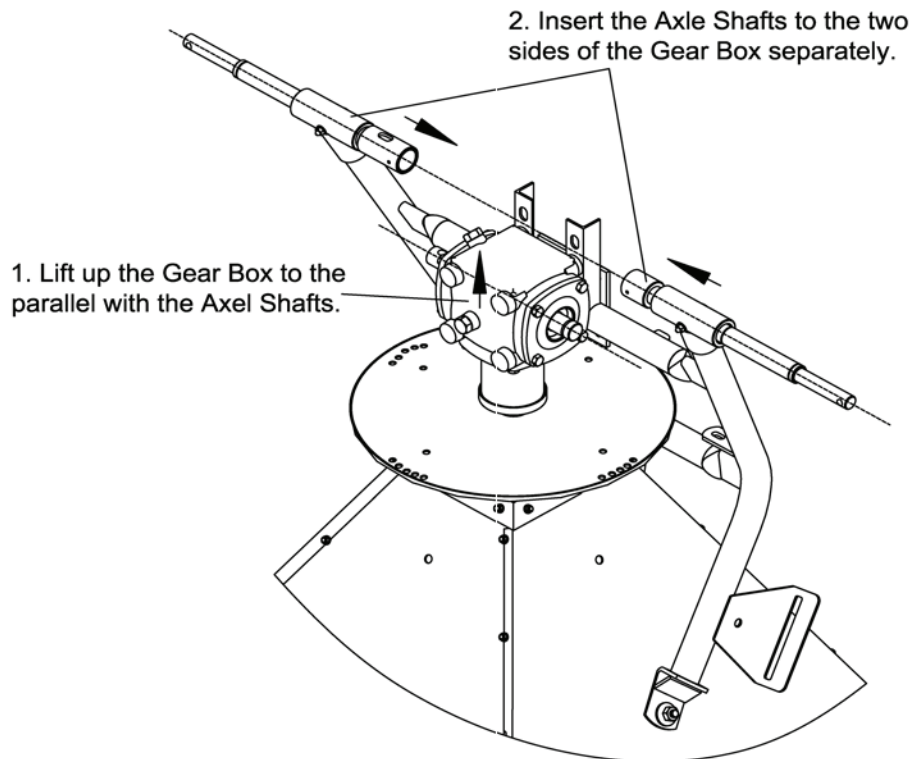


When assembly, please have the hopper side lay, the hopper panel with label should be put in downwards.

**Step 4:**

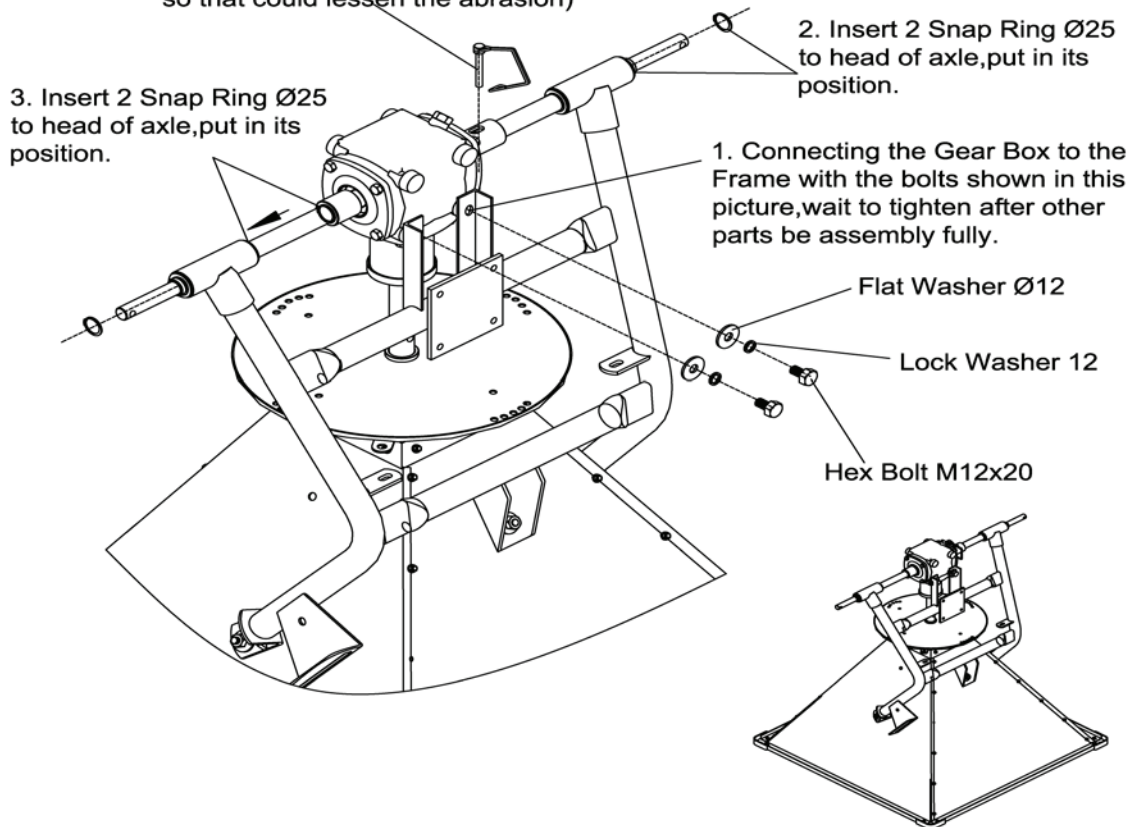


**Step 5:**



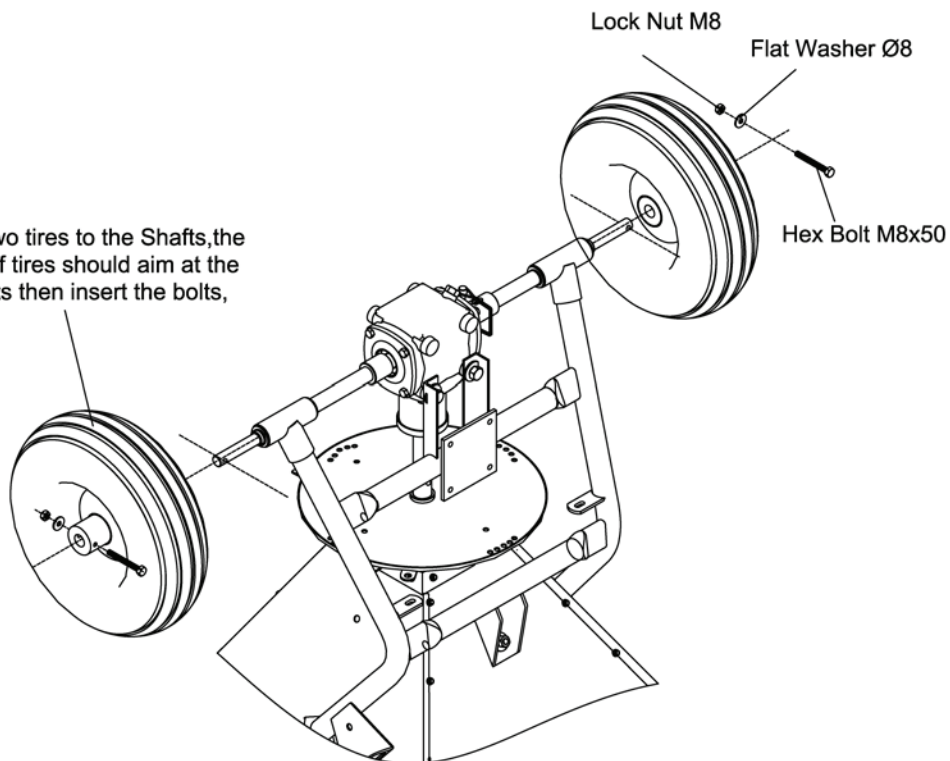
## Step 6:

Let the Gear Box hole and Axle Shaft Hole in the same level, then insert the Safety Pin.  
(This pin could be took off when it not work so that could lessen the abrasion)

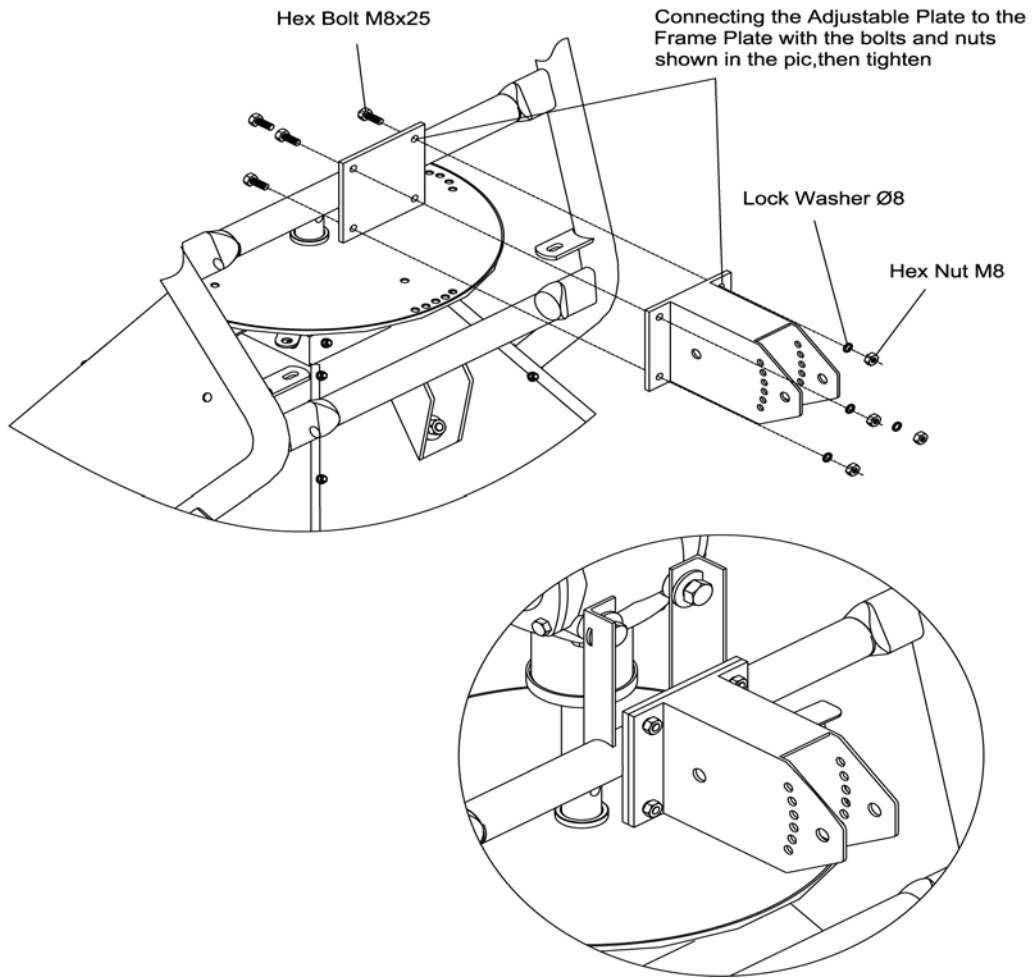


## Step 7:

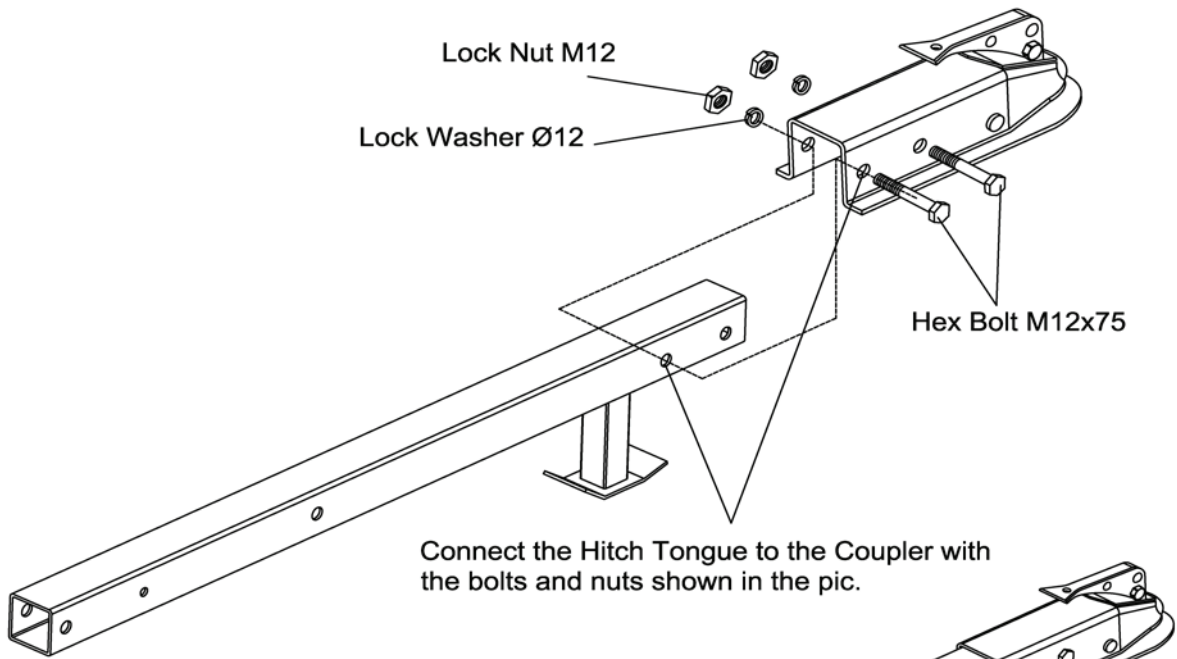
Assembly two tires to the Shafts, the small hole of tires should aim at the hole of shafts then insert the bolts, tighten



**Step 8:**

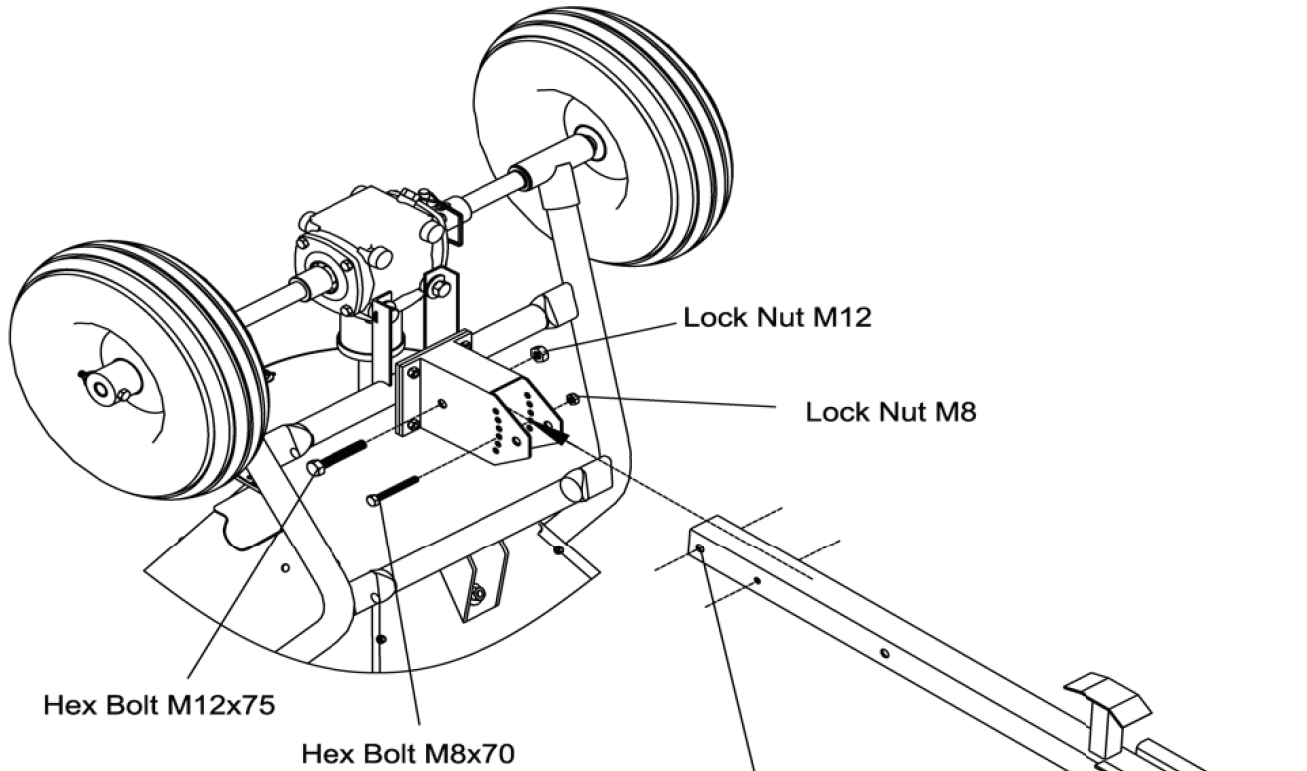


**Step 9:**



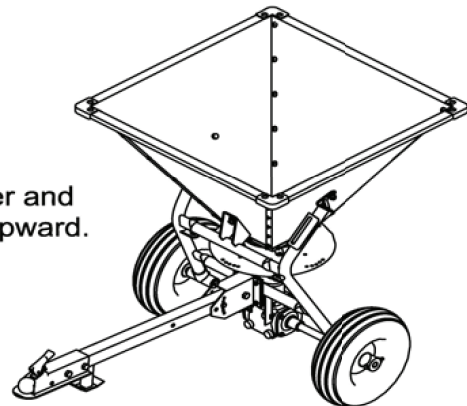


**Step 10:**



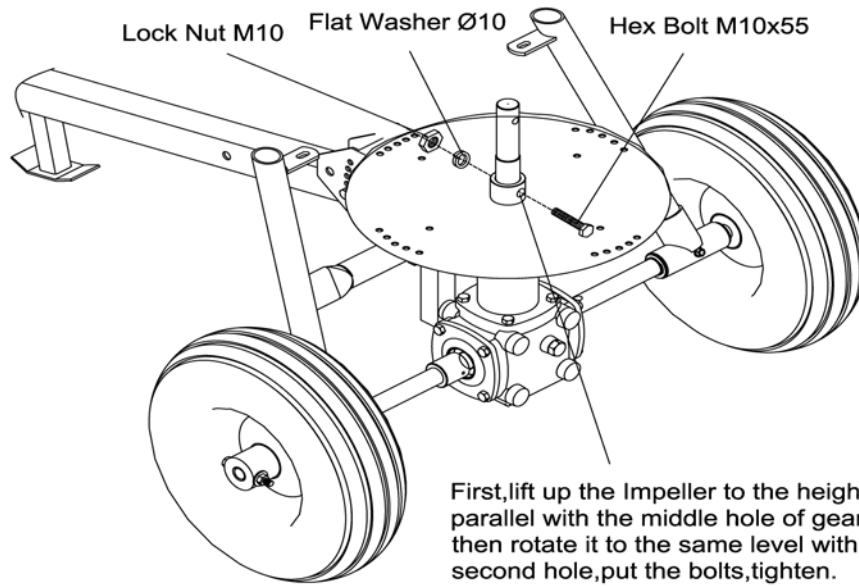
Insert the Hitch Tongue to the Adjustable Plate, let the holes in the same level and then secure with bolts and nuts, tighten.

Now, turn over the spreader and make sure the hopper is upward.

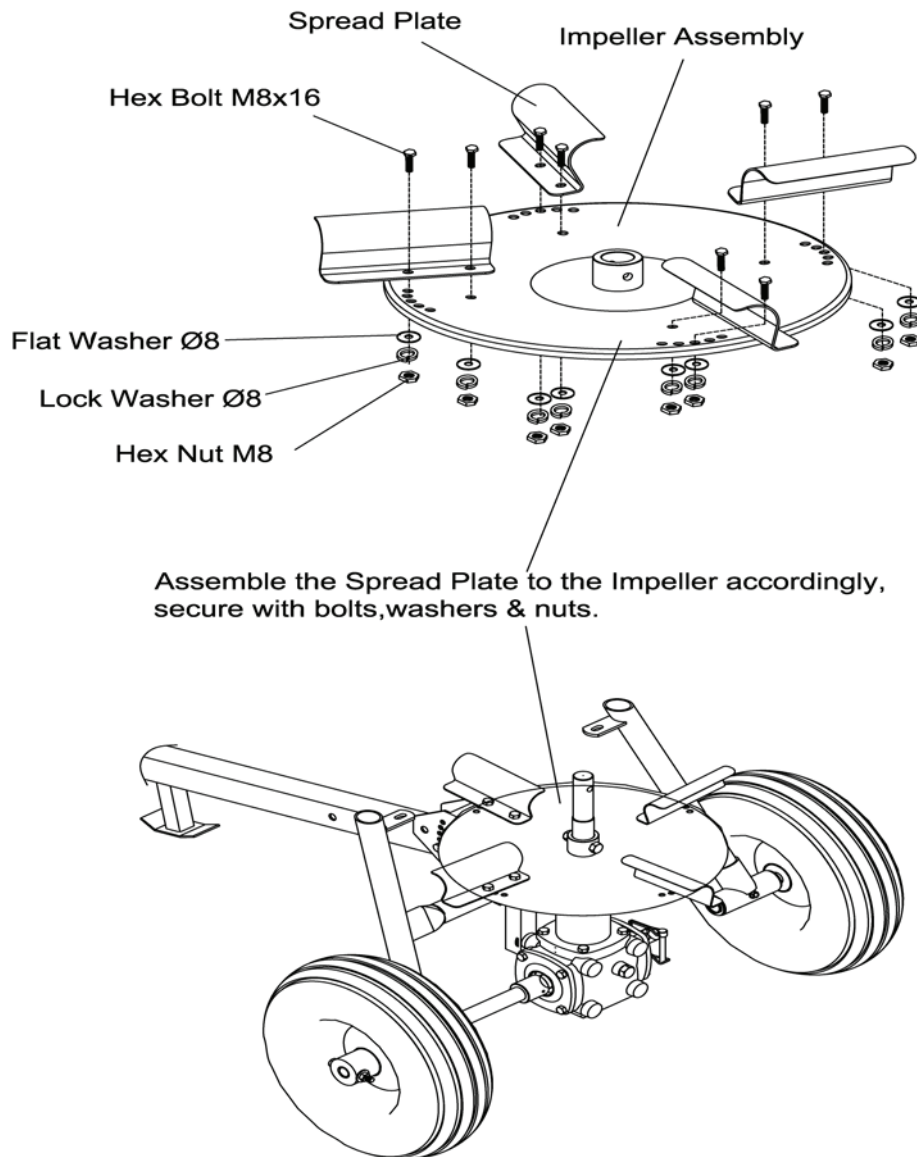




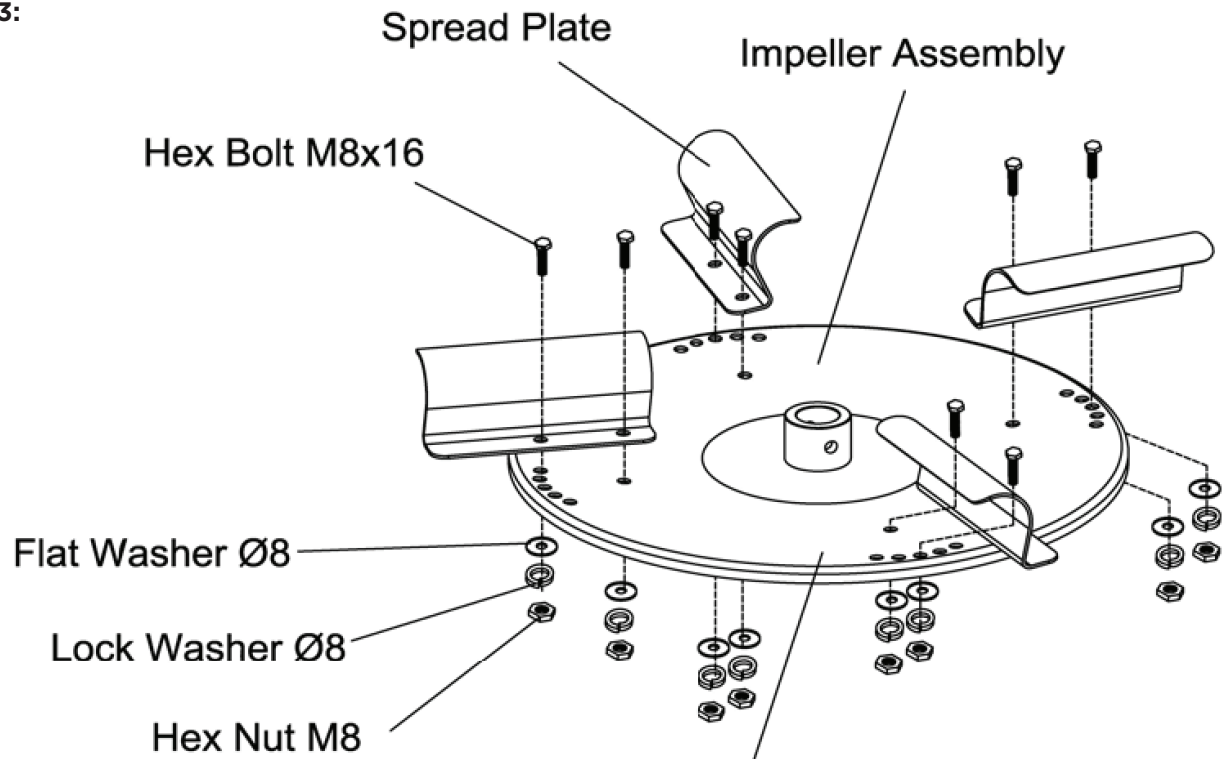
**Step 11:**



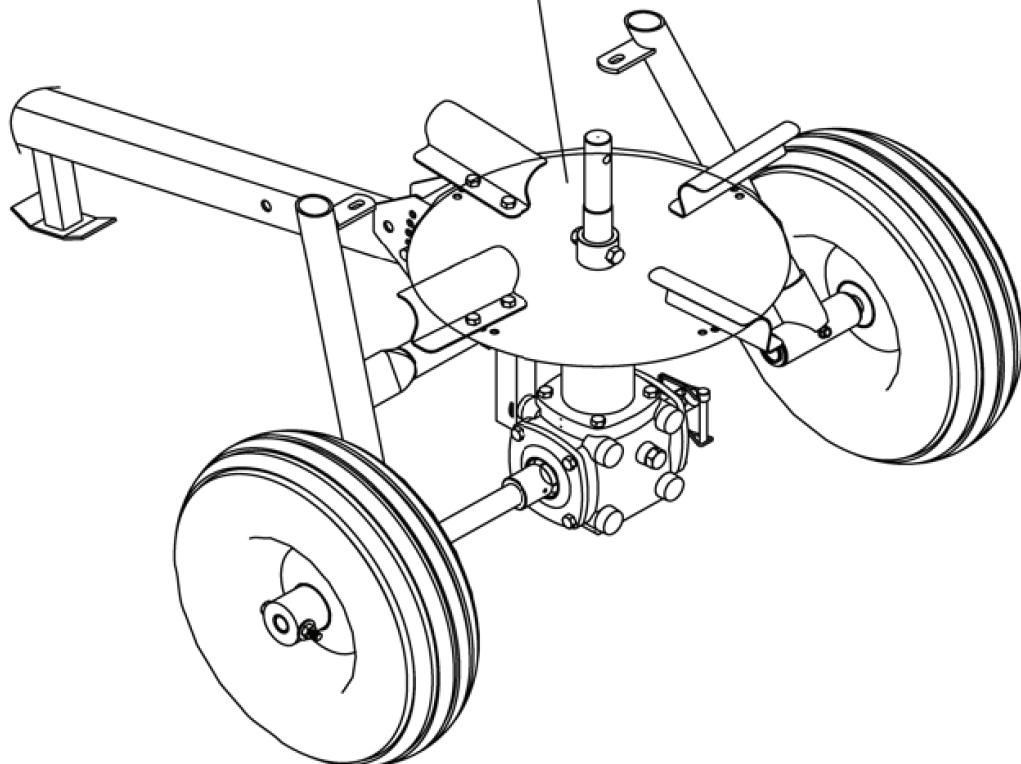
**Step 12:**



**Step 13:**



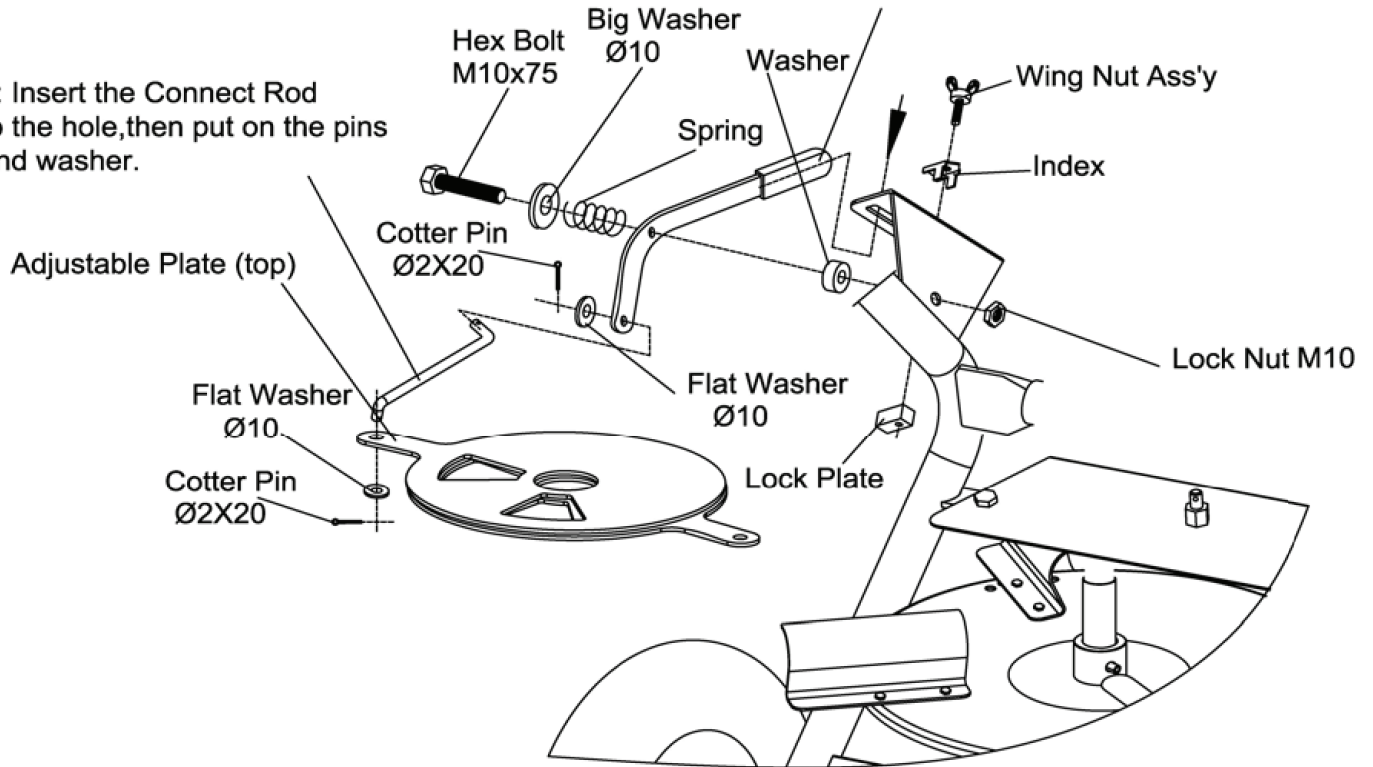
Assemble the Spread Plate to the Impeller accordingly, secure with bolts, washers & nuts.



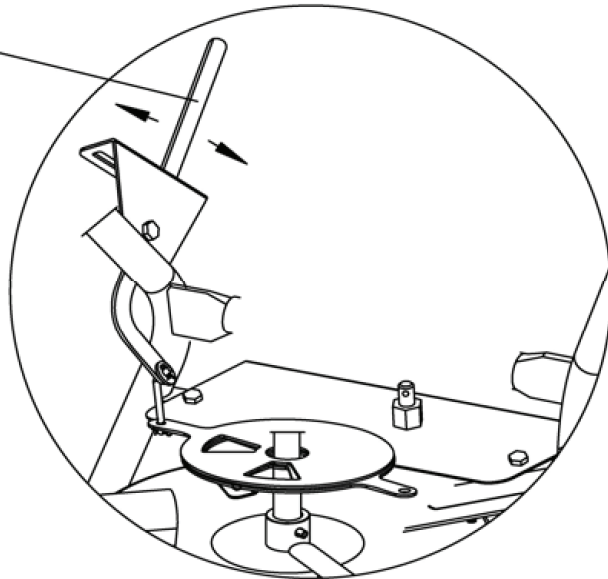
**Step 14:**

1: Insert the Adjustable Handle into the slot according to the indication in the pic. then put on the bolts, nuts and washers, tighten them to fix the handle and couldn't be moved.

2: Insert the Connect Rod to the hole, then put on the pins and washer.

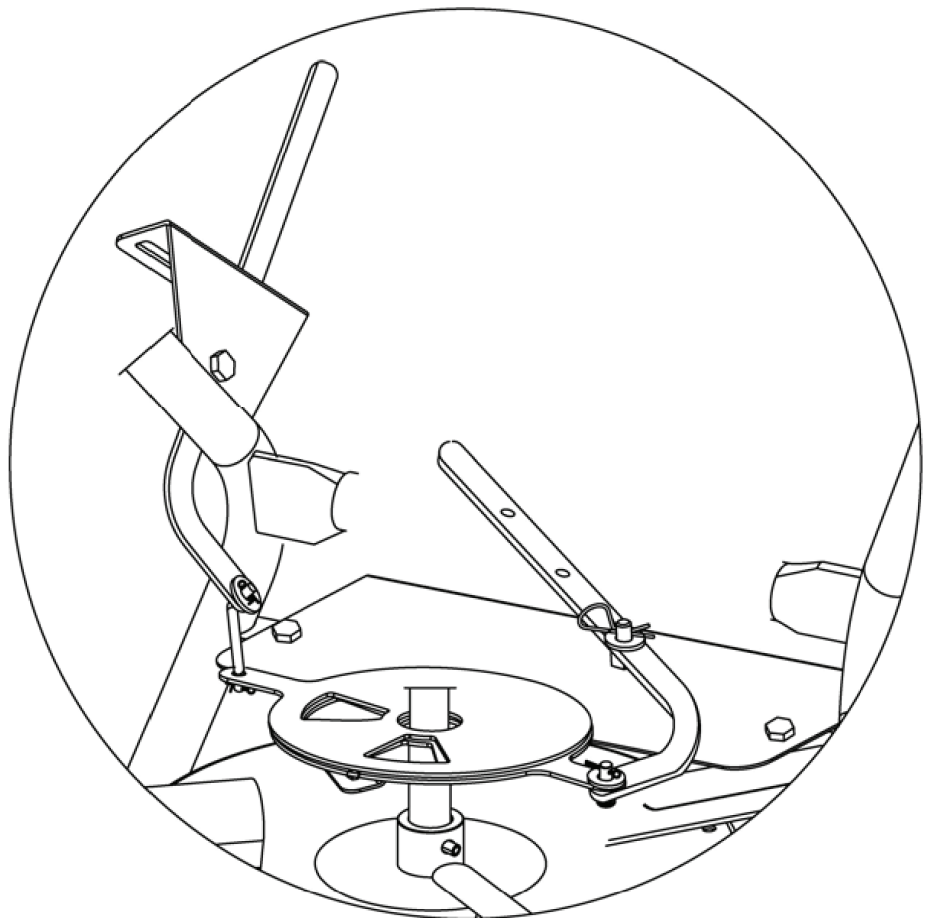
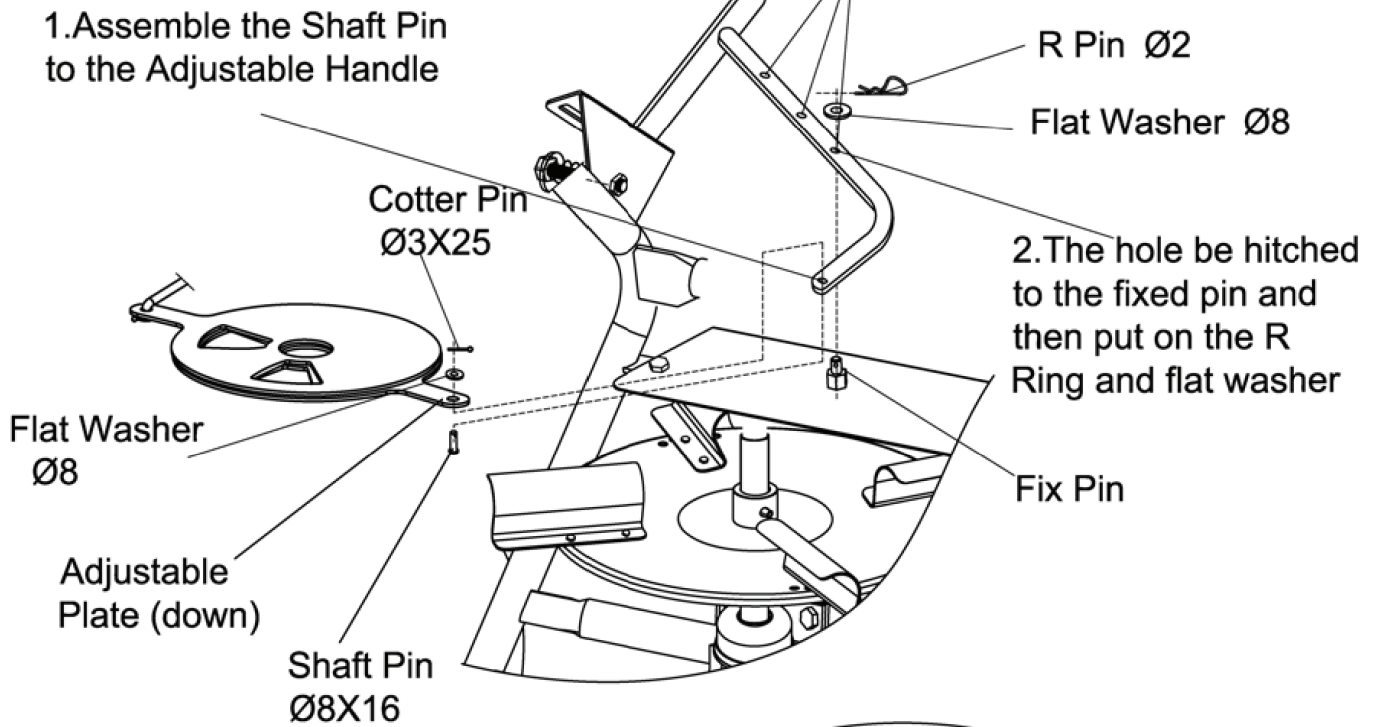


Moving this handle, it could adjust the stuff volume that spreader out on the bottom.

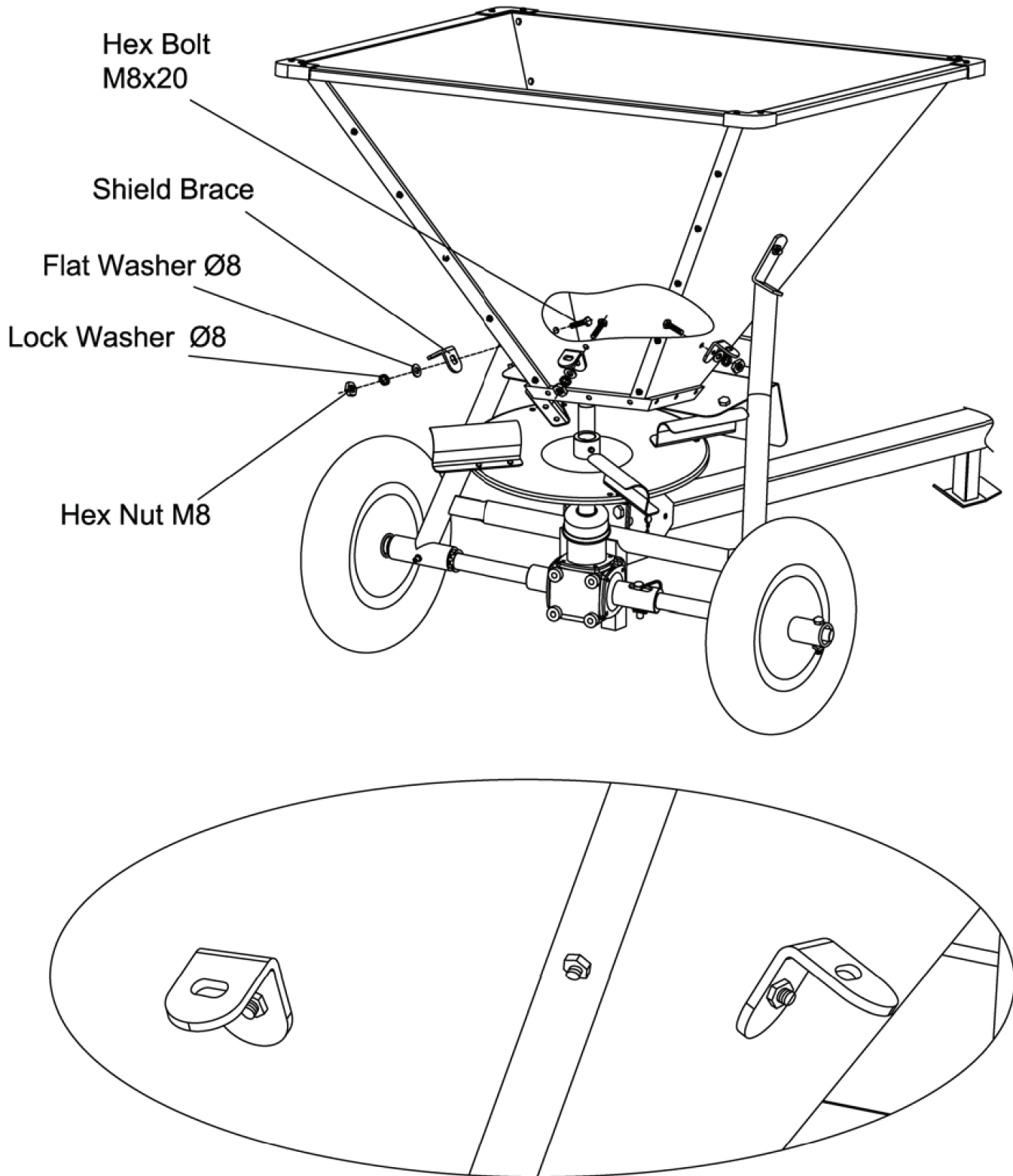


Step 15:

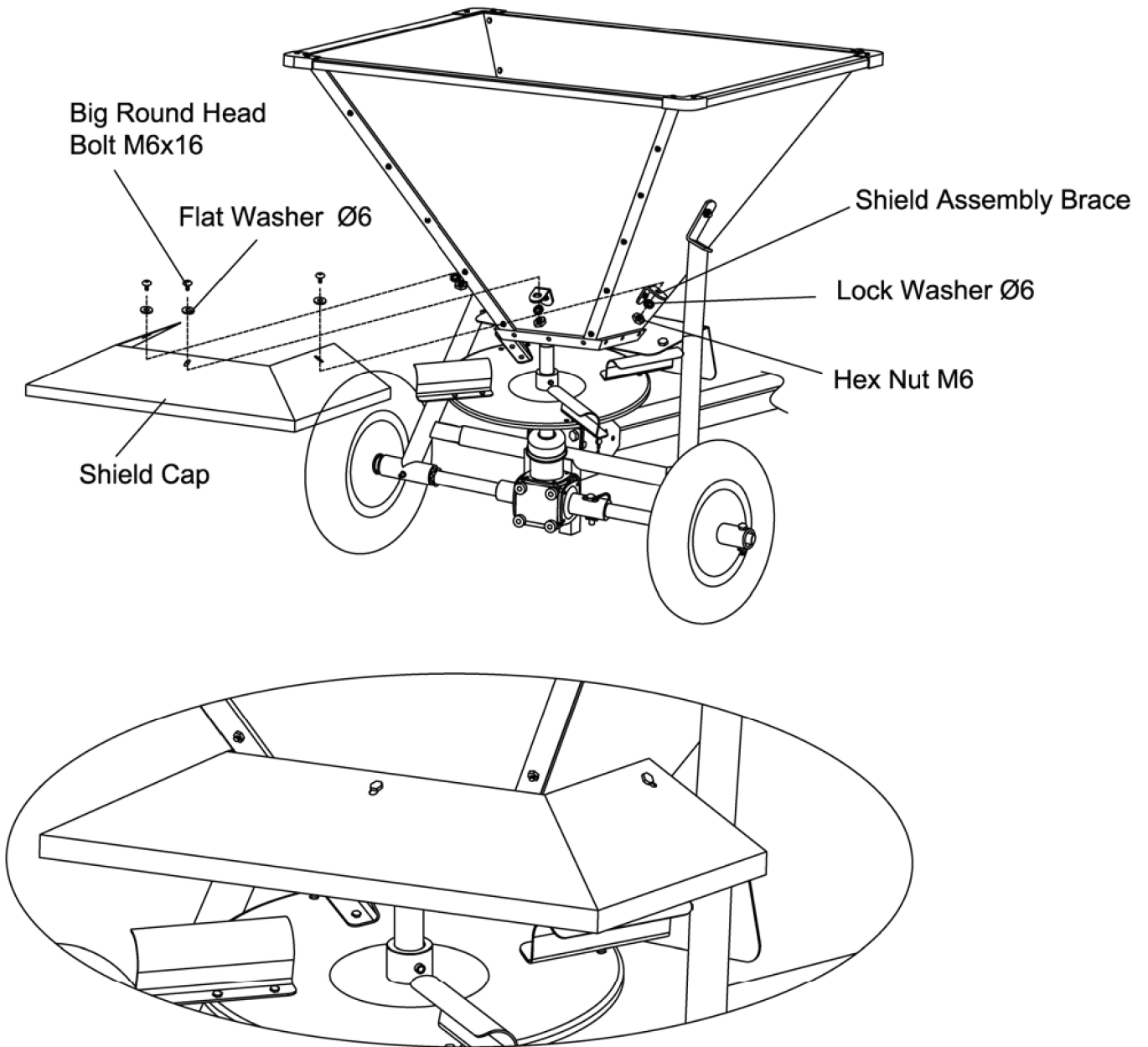
Moving the handle and the three holes will affect the stuff volume at the bottom.



Step 16:



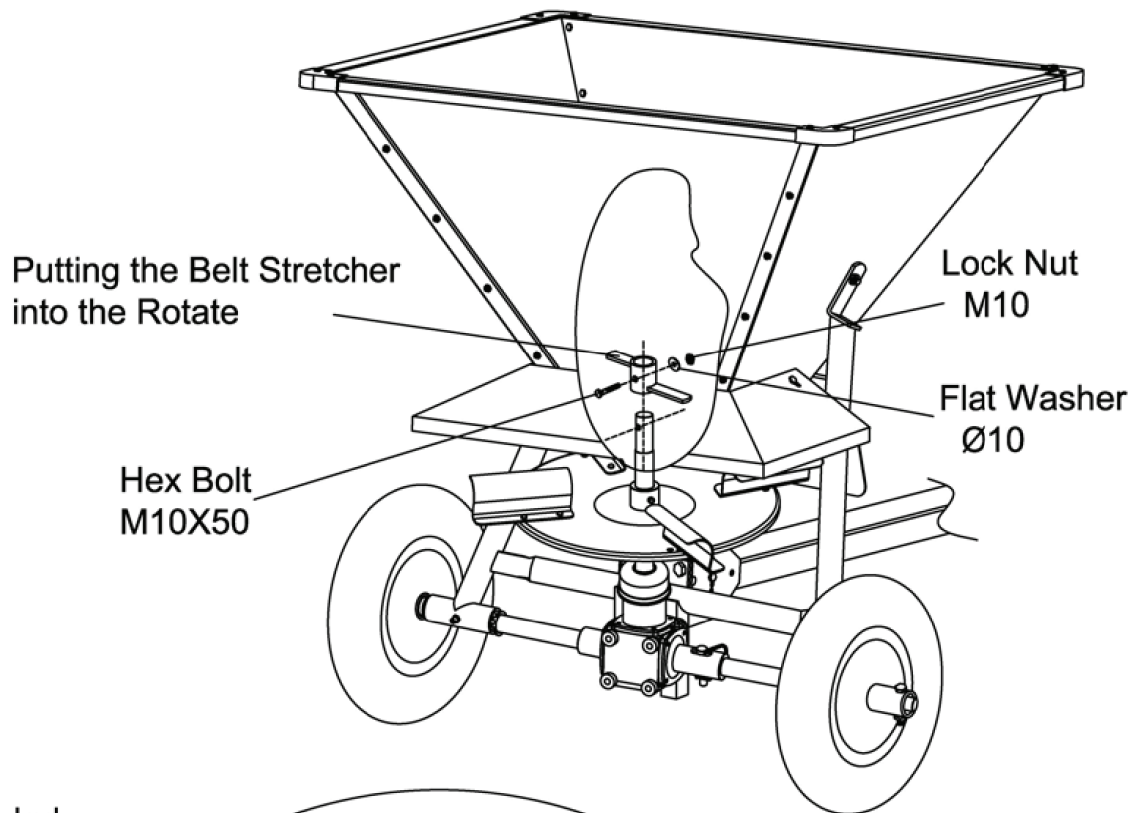
**Step 17:**



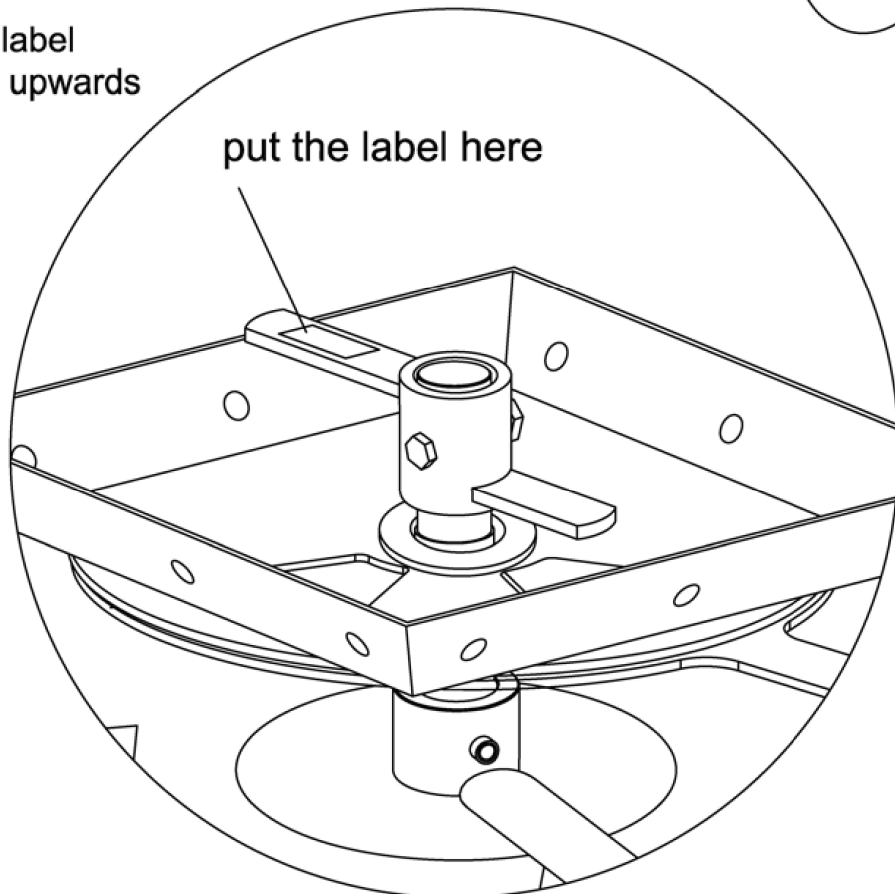
**NOTE:** Tighten all hardware in all the pervious steps



**Step 18:**



**NOTE:** This label should be in upwards





## GENERAL WARNING

Operator must read and understand all safety and warning information, operating instructions, maintenance and storage instructions before operating this equipment. Failure to properly operate and maintain the lawn roller could result in serious injury to the operator or bystanders.

Operation Warnings:

- Do not at any time carry passengers sitting or standing on the lawn roller.
- Do not allow children to play on, stand upon or climb on the spreader.
- Do not exceed rated capacity of 350lbs.
- Replace or repair damaged or worn parts immediately.
- To avoid personal injury and/or equipment damage DO NOT EXCEED 5MPH.
- Only tow with recommended vehicles (Lawn/Garden Tractors and ATVs).
- Always inspect the spreader before using to assure it is in good working condition.
- Always keeps hands and feet clear from moving parts while operating the equipment.
- Never use if the spreader is damaged or worn as this may cause injury to the operator or bystanders.
- Always make sure the spreader is secure and locked to the hitch of the approved vehicle before operating.
- Never add material to the spreader unless it is attached to the tractor.

## OPERATING INSTRUCTIONS

Read Instructions Carefully!

1. Right or Left hand is determined by standing at the rear of the spreader and facing in the direction of travel of the vehicle.
2. Check the register of the control lever indicator with the seed gate (material gate).  
With the seed gate closed, the control lever should be in its fully raised position. Control lever settings listed on the spreader charts are set to the adjustable pointer/stop below the control lever.
3. DO NOT FILL HOPPER and transport over long distance, as it may result in packing, causing poor or erratic discharge.
4. FOR BEST RESULTS use palletized fertilizer, as it has less tendency to lump and cause little or no dust.
5. Always break up lumps of granular fertilizer before filling hopper.
6. Never use on windy days, especially when spreading grass seed.
7. Always use caution when you are spreading herbicides, as there is the possibility of wind drift or overthrow into areas where serious crop/shrub damage could occur. Always follow instructions on chemical packaging.
8. Adjust the tension on the control handle so it moves with some resistance, but will remain where you set it. Adjust the control handle stop so that the end of the field you can shut the seed gate and after your turn, re-open to your exact setting.
9. If the agitator becomes jammed, open the feed gate all the way. Use small rod to push the material through the feed gate.
10. After the agitator is cleared of the debris, reset the feed gate and proceed.

## SPREADING INSTRUCTIONS

1. The opening in the hopper bottom is regulated by the control handle. The size of the opening is determined by the calibrated scale. Place the control lever at the desired setting.
2. The spread chart in it this manual is an approximate guide based on various forward speeds.  
For accurate spreading, calibrate your vehicle to operate at the desired speed.
3. Check rate chart for suggested setting for material type to be spread.
4. Make a trial run to assure accurate results. Close the feed gates and put in a pre-determined amount of the material to be spread. Spread and check the results.
5. Make final adjustments to obtain desired results

**SPREADING CHART FOR SEED**

MATERIAL	SPREAD WIDTH IN FEET	TRACTOR SPEED (MPH)	POUNDS PER ACER (APPROXIMATE) AT CONTROL LEVER SETTING INDICATED								
			0.5	1	2	3	4	5	6	7	8
Alfalfa & Clover	24'	4	18	62	153						
		5	14	51	124						
		6	12	42	103						
		7.5	10	34	88						
Barley	26'	4				94	117	139	196		
		5				76	94	112	157		
		6				63	78	92	130		
		7.5				50	62	74	105		
Bluegrass & Bermude Grass	17'	4			27	94					
		5			21.5	58.5					
		9			17.5	51					
		7.5			14	31					
Brome Grass	9.5'	4	15.5	25							
		5	12	19.5							
		6	10	15							
		7.5	8	13							
Frescue & Ryegrass	17'	4		14	44	104					
		5		12	35	77					
		6		10	29	64					
		7.5		8	23	51					
Lespedeza	30'	4	6.5	14	29						
		5	1.5	12	23						
		6	4	10	19.5						
		7.5	3	8	15.5						
Oats	26'	4				59	92	170			
		5				47	74	137			
		6				39	62	113			
		7.5				31	49	91			
Orchard Grass	11'	4			18	27					
		5			14	22					
		6			12	18					
		7.5			9	14					
Rice	31'	4				113	182	329			
		5				91	146	264			
		6				75	121	220			
		7.5				61	98	176			
Rye	31'	4				112	176	242	295		
		5				90	142	194	237		
		6				74	117	161	196		
		7.5				60	94	129	157		
Sudan Grass	31'	4			48	75	120				
		5			39	61	96				
		6			33	51	79				
		7.5			26	40	64				
Soybeans	38'	4					105	165	195	221	
		5					85	133	156	177	
		6					71	111	130	147	
		7.5					56	88	104	117	
Timothy	15'	4	18	62	153						
		5	14	51	124						
		6	12	42	103						
		7.5	10	34	82						
Wheat	31'	4				91	144	196	257		
		5				73	116	157	207		
		6				60	96	130	172		
		7.5				48	77	104	138		

## MAINTENANCE

- After each use clean material out of hopper.
- Rinse/dry inside and outside of the spreader after each use.
- Before operating make sure the tires have the RECOMMENDED TIRE PRESSURE.
- Periodically check all fasteners for tightness.
- Annually clean and lightly lubricate parts.
- Use a glossy enamel spray paint to touch up scratched or worn painted metal surfaces.
- Never exceed load capacity rating of 250lbs it will damage the spreader.

NOTE: The gearbox is filled and sealed at the factory. If operated and stored properly, the gearbox will provide trouble-free service. If the gearbox is disassembled it is important it be re-filled with quality grease and the box halves are resealed with silicone adhesive.

### **⚠ IMPORTANT:**

If a part needs replacement, only use parts that meet the manufacturer's specifications. Replacement parts that do not meet specifications may result in a safety hazard or poor operations.

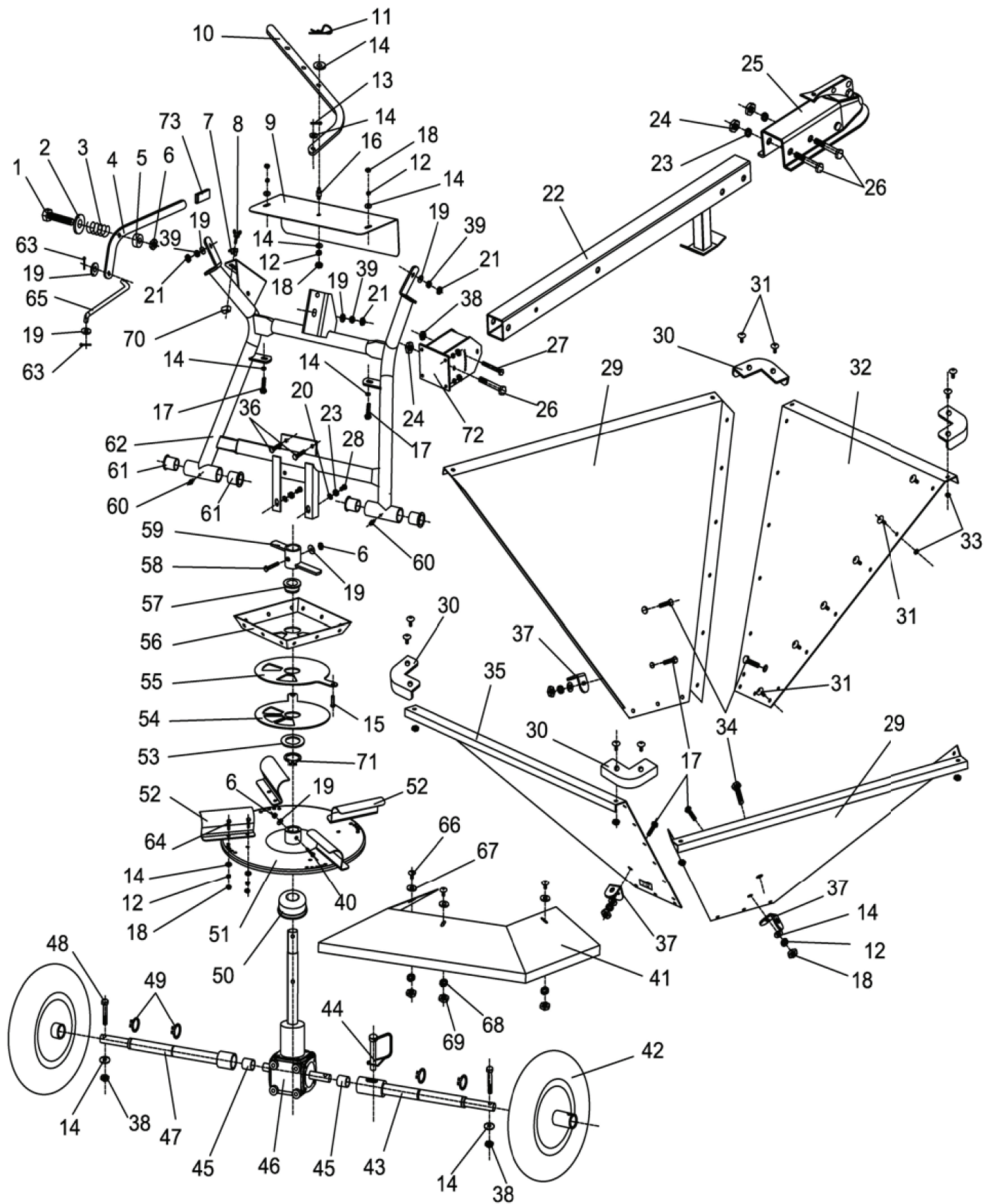
## STORAGE

- Never allow material to remain in the hopper for extended periods of time.
- Before storing make sure the spreader is clean and dry for years of trouble-free service.
- Store indoors or protected area during severe weather and winter months.

### **⚠ WARNING**

**ALWAYS** maintain the proper tire pressure.  
**DO NOT** over or under inflate the tires as serious injury may result.  
**ALWAYS** keep the tires at 300PSI.

# PARTS DIAGRAM



## PARTS LIST

REF	DESCRIPTION	QTY
1	Hex Bolt M10x75	1
2	Big Flat Washer Ø10	1
3	Spring	1
4	Adjustable Handle (Top)	1
5	Washer	1
6	Hex Lock Nut M10	3
7	Index	1
8	Wing Nut Assembly	1
9	Fixed Plate	1
10	Adjustable Handle (Low)	1
11	R Pin Ø2	1
12	Lock Washer Ø8	18
13	Cotter Pin Ø3x25	1
14	Flat Washer Ø8	20
15	Shaft Pin	1
16	Handle Fix Pin	1
17	Hex Bolt M8x20	5
18	Hex Nut M8	18
19	Flat Washer Ø10	7
20	Flat Washer Ø12	2
21	Hex Nut M10	3
22	Hitch Tongue	1
23	Lock Washer Ø12	4
24	Lock Nut M12	3
25	Coupler	1
26	Hex Bolt M12x75	3
27	Hex Bolt M8x70	1
28	Hex Bolt M12x20	2
29	Hopper Side Panel	2
30	Corner Cap (Front)	4
31	Big Rounded Head Bolt M6x12	44
32	Hopper Front Panel	1
33	Hex Flanged Nut M6	44
34	Hex Bolt M10x25	3
35	Hopper Rear Panel	1
36	Hex Bolt M8x25	4
37	Shield Brace	3

REF	DESCRIPTION	QTY
38	Lock Nut M8	3
39	Lock Washer Ø10	3
40	Hex Bolt M10x55	1
41	Shield Cap	1
42	Wheel	2
43	Initiative Axle Shaft Assembly	1
44	Safety Pin	1
45	Composite Bearing	2
46	Gearbox Assembly	1
47	Driven Axle Shaft Assembly	1
48	Hex Bolt M8x50	2
49	Lock Retaining Ring Cap Ø25	4
50	Dust Cover	1
51	Impeller Assembly	1
52	Spread Plate	4
53	Flat Washer Ø40	1
54	Adjustable Plate (Down)	1
55	Adjustable Plate (Down)	1
56	Hopper Bottom Plate	1
57	Axle Bush	1
58	Hex Bolt M10x50	1
59	Agitator	1
60	Oil Cup	2
61	Bearing	4
62	Frame Assembly	1
63	Cotter Pin Ø2x20	2
64	Hex Bolt M8x16	8
65	Connecting Shaft	1
66	Big Round Head Bolt M6x16	3
67	Flat Washer Ø6	3
68	Lock Washer Ø6	3
69	Hex Nut M6	3
70	Lock Plate	1
71	Lock Retaining Ring Cap Ø40	1
72	Adjustable Plate	1
73	Handle Grip	





**BRABEREQ.COM**  
WGSALLES@BRABEREQ.COM

**PHONE: 604-850-7770**  
**FAX: 604-850-7774**  
**TOLL FREE PHONE: 1-877-588-3311**  
**TOLL FREE FAX: 1-800-665-7334**