



# Husqvarna®



## 320iHD60

EN	Operator's manual
ES-MX	Manual del usuario
FR-CA	Manuel d'utilisation

2-19
20-39
40-59

---

# Contents

---

Introduction.....	2	Troubleshooting.....	17
Safety.....	4	Transportation, storage and disposal.....	17
Operation.....	12	Technical data.....	18
Maintenance.....	15		

---

## Introduction

---

### Product description

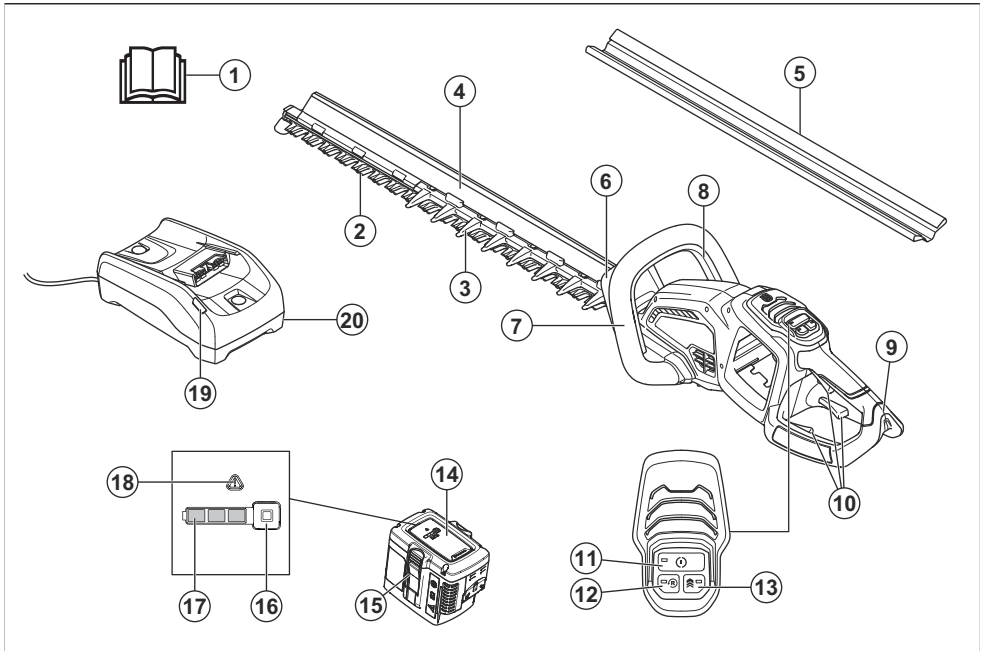
Husqvarna 320iHD60 is a battery hedge trimmer with an electrical motor.

Work is constantly in progress to increase your safety and efficiency during operation. Speak to your servicing dealer for more information.

### Intended use

Use the product to cut branches and twigs. Do not use the product for other tasks.

### Product overview



1. Operator's manual
2. Blade
3. Blade guards
4. Deflector
5. Transport guard
6. Handguard
7. Front handle

8. Power trigger lockout
9. Rear handles
10. Power triggers
11. Start/stop button
12. Reverse button
13. Boost button
14. Battery, included in the kit only

- 15. Battery release buttons
- 16. Battery indicator button
- 17. Battery status
- 18. Warning indicator
- 19. Power on and warning indicator
- 20. Battery charger, included in the kit only

### Symbols on the product



**WARNING:** This product can be dangerous and cause serious injury or death to the operator or others. Be careful and use the product correctly.



Read the operator's manual carefully and make sure that you understand the instructions before you use the product.



Always wear approved hearing protection and protective goggles or a visor. A breathing mask should be used when there is a risk of dust.



**DANGER** - Keep hands away from blade.



Do not expose to rain.



Direct current.



The product or package of the product is not domestic waste. Recycle it at a recycling station for electrical and electronic equipment.

yywwxxxxx

The rating plate shows the serial number. **yy** is the production year, **ww** is the production week.

### Symbols on the battery



Recycle this product at a recycling station for electrical and electronic equipment.

### Symbols on the battery charger



Be careful and use the product correctly. This product can cause serious injury or death to the operator or others.



Read the operator's manual carefully and make sure that you understand the instructions before use.



The product agrees with the applicable EC directives.



The product or package of the product is not domestic waste. Recycle it at an applicable disposal location for electrical and electronic equipment.



Use and keep the battery charger indoors only.

**Note:** Other symbols/decals on the product refer to certification requirements for some commercial areas.

### California Proposition 65

#### **WARNING**

This product contains or emits a chemical known to the State of California to cause cancer or birth defects or other reproductive harm.

### Customer assistance

For customer assistance, call: 1-800-487-5951 or visit [www.usa.husqvarna.com](http://www.usa.husqvarna.com).

### Manufacturer

Husqvarna Professional Products, Inc.

9335 Harris Corners Pkwy, Charlotte, NC 28269, USA

### Product damage

We are not responsible for damages to our product if:

- the product is incorrectly repaired.
- the product is repaired with parts that are not from the manufacturer or not approved by the manufacturer.

- the product has an accessory that is not from the manufacturer or not approved by the manufacturer.
- the product is not repaired at an approved service center or by an approved authority.

---

## Safety

---

### Safety definitions

Warnings, cautions and notes are used to point out specially important parts of the manual.



**WARNING:** Used if there is a risk of injury or death for the operator or bystanders if the instructions in the manual are not obeyed.



**CAUTION:** Used if there is a risk of damage to the product, other materials or the adjacent area if the instructions in the manual are not obeyed.

**Note:** Used to give more information that is necessary in a given situation.

---

# IMPORTANT SAFETY INSTRUCTIONS

---



**WARNING:** Read all safety warnings and all instructions. Failure to follow the warnings and instructions may result in electric shock, fire and/or serious injury.

### Read all instructions



**WARNING:** When using electric gardening appliances, basic safety precautions should always be followed to reduce the risk of fire, electric shock, and personal injury, including the following:

### General power tool safety warnings



**WARNING:** Read all safety warnings and all instructions. Failure to follow the warnings and instructions may result in electric shock, fire and/or serious injury.

**Note:** Save all warnings and instructions for future reference. The term "power tool" in the warnings refers to your mains-operated (corded) power tool or battery-operated (cordless) power tool.

### Work area safety

- **Keep work area clean and well lit.** Cluttered or dark areas invite accidents.
- **Do not operate power tools in explosive atmospheres, such as in the presence of flammable liquids, gases or dust.** Power tools create sparks which may ignite the dust or fumes.
- **Keep children and bystanders away while operating a power tool.** Distractions can cause you to lose control.

### Electrical safety

- **Power tool plugs must match the outlet. Never modify the plug in any way. Do not use any adapter plugs with earthed (grounded) power tools.** Unmodified plugs and matching outlets will reduce risk of electric shock.
- **Avoid body contact with earthed or grounded surfaces, such as pipes, radiators, ranges and refrigerators.** There is an increased risk of electric shock if your body is earthed or grounded.
- **Do not expose power tools to rain or wet conditions.** Water entering a power tool will increase the risk of electric shock.
- **Do not abuse the cord. Never use the cord for carrying, pulling or unplugging the power tool. Keep cord away from heat, oil, sharp edges**

**or moving parts.** Damaged or entangled cords increase the risk of electric shock.

- **When operating a power tool outdoors, use an extension cord suitable for outdoor use.** Use of a cord suitable for outdoor use reduces the risk of electric shock.
- **If operating a power tool in a damp location is unavoidable, use a ground fault circuit interrupter (GFCI) protected supply.** Use of an GFCI reduces the risk of electric shock.

## Personal safety

- **Stay alert, monitor what you are doing and use common sense when operating a power tool. Do not use a power tool while you are tired or under the influence of drugs, alcohol or medication.** A moment of inattention while operating power tools may result in serious personal injury.
- **Use personal protective equipment. Always wear eye protection.** Protective equipment such as dust mask, non-skid safety shoes, hard hat, or hearing protection used for appropriate conditions will reduce personal injuries.
- **Prevent unintentional starting. Ensure the switch is in the OFF-position before connecting to a power source and/or battery pack, picking up or carrying the tool.** Carrying power tools with your finger on the switch or energizing power tools that have the switch on invites accidents.
- **Remove any adjusting key or wrench before turning the power tool on.** A wrench or a key left attached to a rotating part of the power tool may result in personal injury.
- **Do not overreach. Keep proper footing and balance at all times.** This enables better control of the power tool in unexpected situations.
- **Dress properly. Do not wear loose clothing or jewelry. Keep your hair, clothing and gloves away from moving parts.** Loose clothes, jewelry or long hair can be caught in moving parts.
- **If devices are provided for the connection of dust extraction and collection facilities, ensure these are connected and properly used.** Use of dust collection can reduce dust-related hazards.
- **Do not let familiarity gained from frequent use of tools allow you to become complacent and ignore tool safety principles.** A careless action

can cause severe injury within a fraction of a second

- The vibration emission during actual use of the power tool can differ from the declared total value depending on the ways in which the tool is used. Operators should identify safety measures to protect themselves that are based on an estimation of exposure in the actual conditions of use (taking account of all parts of the operating cycle such as the times when the tool is switched off and when it is running idle in addition to the trigger).

## Power tool use and care

- **Do not force the power tool. Use the correct power tool for your application.** The correct power tool will do the job better and safer at the rate for which it was designed.
- **Do not use the power tool if the switch does not turn it on and off.** Any power tool that cannot be controlled with the switch is dangerous and must be repaired.
- **Disconnect the plug from the power source and/or remove the battery pack, if detachable, from the power tool before making any adjustments, changing accessories, or storing power tools.** Such preventive safety measures reduce the risk of starting the power tool accidentally.
- **Store idle power tools out of the reach of children and do not allow persons unfamiliar with the power tool or these instructions to operate the power tool.** Power tools are dangerous in the hands of untrained users.
- **Maintain power tools and accessories. Check for misalignment or binding of moving parts, breakage of parts and any other condition that may affect the power tool's operation. If damaged, have the power tool repaired before use.** Many accidents are caused by poorly maintained power tools.
- **Keep cutting tools sharp and clean.** Properly maintained cutting tools with sharp cutting edges are less likely to bind and are easier to control.
- **Use the power tool, accessories and tool bits etc. in accordance with these instructions, taking into account the working conditions and the work to be performed.** Use of the power tool for operations different from those intended could result in a hazardous situation.
- **Keep handles and grasping surfaces dry, clean and free from oil and grease.** Slippery

handles and grasping surfaces do not allow for safe handling and control of the tool in unexpected situations.

### Battery tool use and care

- **Recharge only with the charger specified by the manufacturer.** A charger that is suitable for one type of battery pack may create a risk of fire when used with another battery pack.
- **Use power tools only with specifically designated battery packs.** Use of any other battery packs may create a risk of injury and fire.
- **When battery pack is not in use, keep it away from other metal objects, like paper clips, coins, keys, nails, screws or other small metal objects, that can make a connection from one terminal to another.** Shorting the battery terminals together may cause burns or a fire.
- **Under abusive conditions, liquid may be ejected from the battery; avoid contact. If contact accidentally occurs, flush with water. If liquid contacts eyes, additionally seek medical help.** Liquid ejected from the battery may cause irritations or burns.
- **Do not use a battery pack or tool that is damaged or modified.** Damaged or modified batteries may exhibit unpredictable behavior resulting in fire, explosion or risk of injury.
- **Do not expose a battery pack or tool to fire or excessive temperature.** Exposure to fire or temperature above 130 °C (265 °F) may cause explosion.
- **Follow all charging instructions and do not charge the battery pack or tool outside the temperature range specified in the instructions.** Charging improperly or at temperatures outside the specified range may damage the battery and increase the risk of fire.

### Service

- **Have your power tool serviced by a qualified repair person using only identical replacement parts.** This will ensure that the safety of the power tool is maintained.
- **Never service damaged battery packs.** Service of battery packs should only be performed by the manufacturer or authorized service providers.

### Hedge trimmer safety warnings - Personal safety

- Use both hands when operating the hedge trimmer. Using one hand could cause loss of control and result in serious personal injury.
- **Keep all parts of the body away from the cutter blade. Do not remove cut material or hold material to be cut when blades are moving. Make sure the switch is off when clearing jammed material. Blades coast after turn off.** A moment of inattention while operating the hedge trimmer may result in serious personal injury.
- **Carry the hedge trimmer by the handle with the cutter blade stopped.** Proper handling of the hedge trimmer will reduce possible personal injury from the cutter blades.
- **When transporting or storing the hedge trimmer, always fit the blade cover.** Proper handling of the hedge trimmer will decrease the risk of personal injury from the blades.
- **When clearing jammed material or servicing the unit, make sure all power switches are off and the lock-off is in the locked position.** Unexpected actuation of the hedge trimmer while clearing jammed material or servicing may result in serious personal injury.
- **Hold the power tool by insulated gripping surface only, because the cutter blade may contact hidden wiring or its own cord.** Cutter blades contacting a "live" wire may make exposed metal parts of the power tool "live" and could give the operator an electric shock.
- **Keep all power cords and cables away from cutting area.** Power cords or cables may be hidden in hedges or bushes and can be accidentally cut by the blade.
- **Do not use the hedge trimmer in bad weather conditions, especially when there is a risk of lightning.** This decreases the risk of being struck by lightning.
- **DANGER -Keep hands away from blade.** Contact with blade will result in serious personal injury.

### General safety instructions



**WARNING:** Read the warning instructions that follow before you use the product.

- Remove the battery to prevent the product from being started by accident.
- This product is a dangerous tool if you are not careful or if you use the product incorrectly. This product can cause serious injury or death to the operator or others.
- Do not use the product if it is changed from its initial specification. Do not change a part of the product without approval from the manufacturer. Only use parts that are approved by the manufacturer. Injury or death is a possible result of incorrect maintenance.
- Do a check of the product before use. Refer to *To do before you start the product on page 12*. Do not use a product that is damaged or does not operate correctly. Do the safety checks, maintenance and service instructions described in this manual.
- Children should be supervised to ensure that they do not play with the product. Never allow children or other persons not trained in the use of the product and/or the battery to use or service it. Local laws may regulate the age of the user.
- Keep the product in a locked area to prevent access for children or persons that are not approved.
- Store the product out of reach of children.
- Your warranty may not cover damage or liability caused by the use of non-authorized accessories or replacement parts.
- Under no circumstances may the design of the product be modified without the permission of the manufacturer. Always use original accessories. Non-authorized modifications and/or accessories can result in serious personal injury or the death of the operator and others.

---

**Note:** National or Local laws can regulate the use. Comply to given regulations.

---

## Safety instructions for operation

---

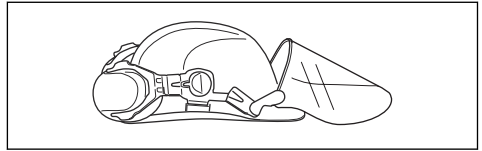


**WARNING:** Read the warning instructions that follow before you use the product.

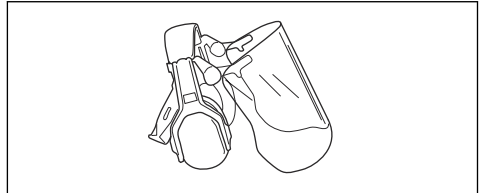
---

- If you encounter a situation where you are uncertain how to proceed you should ask an expert. Contact your dealer or your service workshop. Avoid all usage which you consider to be beyond your capability.
- Never use the product if you are fatigued, while under the influence of alcohol or drugs, medication or anything that could affect your vision, alertness, coordination or judgment.
- Working in bad weather is tiring and often brings added risk. Due to the added risk, it is not recommended to use the machine in very bad weather, for instance in dense fog, heavy rain, strong winds, intense cold, risk of lightning, etc.
- Faulty blades can increase the risk of accidents.
- Do not allow children to use or be in the vicinity of the product. Since the product is easy to start, children may be able to start it if they are not kept under full surveillance. This can mean a risk of serious personal injury. Disconnect the battery when the product is not under close supervision.
- Ensure that no people or animals come closer than 15 meters while you work. When several operators are working in the same area the safety distance should be at least 15 meters. Otherwise there is a risk of serious personal injury. Stop the product immediately if anyone approaches. Never swing the product around without first checking behind you to make sure that no one is within the safety zone.
- Ensure that people, animals or other things can not affect your control of the product or that they do not come in contact with the cutting attachment or loose objects that are thrown out by the cutting attachment. However, do not use the product unless you are able to call for help in the event of an accident.
- Always inspect the working area. Remove all loose objects such as stones, broken glass, nails, steel wire, string, etc., that could be thrown out or become wrapped around the cutting attachment.
- Make sure that you can move and stand safely. Check the area around you for possible obstacles (roots, rocks, branches, ditches, etcetera) in case you have to move suddenly. Take great care when you work on sloping ground.
- Keep a good balance and a firm foothold at all times. Do not overreach.

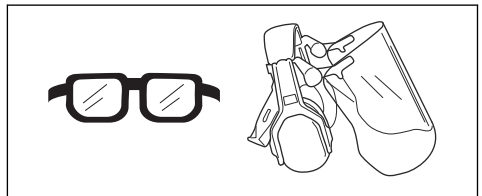
- Deactivate the product before you move to another area. Attach the transport guard when the product is not in use.
- Never put the product down unless you have deactivated it and removed the battery. Do not leave the product unsupervised when it is switched on.
- Make sure that no clothes or parts of the body come in contact with the cutting attachment when the product is activated.
- If anything jams in the blades while you operate the product, stop and deactivate the product. Make sure that the cutting attachment stops completely. Remove the battery before you clean, inspect or repair the product and/or the blades.
- Keep your hands and feet away from the cutting attachment until it has stopped completely when the product is deactivated.
- Watch out for stumps of branches that can be thrown out when you cut. Do not cut too close to the ground where stones and other objects can be thrown out.
- Watch out for thrown objects. Always wear approved eye protection. Never lean over the cutting attachment guard. Stones, rubbish, etcetera, can be thrown up into the eyes which can cause blindness or serious injury.
- Listen out for warning signals or shouts when you wear hearing protection. Always remove your hearing protection as soon as the product stops.
- Never work from a ladder, stool or any other raised position that is not fully secured.
- Hold the product with your two hands. Do not cut above shoulder height.



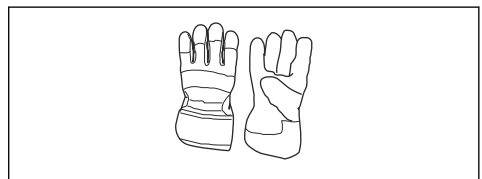
- Use approved hearing protection that provides adequate noise reduction. Long-term exposure to noise can result in permanent hearing impairment.



- Use approved eye protection. If you use a visor, you must also use approved protective goggles. Approved protective goggles must comply with the ANSI Z87.1 standard in the USA or EN 166 in EU countries.



- Use gloves when necessary, for example when you attach, examine or clean the cutting equipment.



- Use sturdy non-slip boots or shoes.



- Use clothing made of a strong fabric. Always use heavy, long pants and long sleeves. Do

## Personal protective equipment



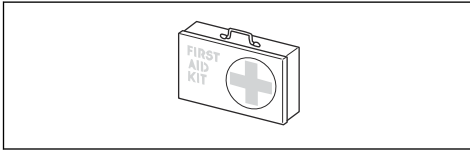
**WARNING:** Read the warning instructions that follow before you use the product.

- Always use approved personal protective equipment when you use the product. Personal protective equipment cannot fully prevent injury but it decreases the degree of injury if an accident does occur. Let your dealer help you select the right equipment.
- Use a protective helmet where there is a risk of falling objects.



not use loose clothing that can catch on twigs and branches. Do not wear jewelry, short pants, sandals or go with bare feet. Put your hair up safely above shoulder level.

- Keep first aid equipment close at hand.



### Safety devices on the product



**WARNING:** Read the warning instructions that follow before you use the product.

In this section the product's safety features, its purpose and how checks and maintenance should be carried out to ensure that it operates correctly. See instructions under the heading *Product overview on page 2* to find where these parts are located on your product.

The life span of the product can be reduced and the risk of accidents can increase if product maintenance is not carried out correctly and if service and/or repairs are not carried out professionally. If you need further information please contact your nearest servicing dealer.



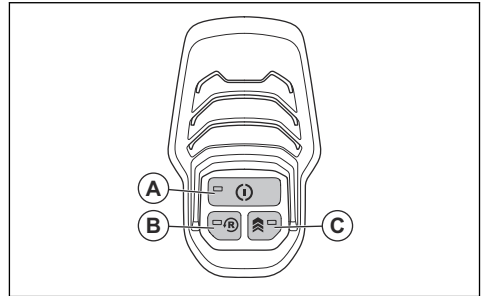
**WARNING:** Never use a product with damaged safety components. The product's safety equipment must be inspected and maintained as described in this section. If your product fails any of these checks, contact your service agent to get it repaired.



**CAUTION:** All servicing and repair work on the machine requires special training. This is especially true of the machine's safety equipment. If your machine fails any of the checks described below you must contact your service agent. When you buy any of our products we guarantee the availability of professional repairs and service. If the retailer who sells your machine is not a servicing dealer, ask him for the address of your nearest service agent.

### To do a check of the keypad

1. Press and hold the start/stop button (A). The product is on when the LED is on.

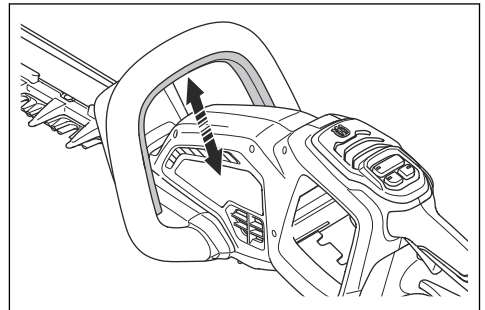


2. Press and hold the reverse button (B). The blades operates in the opposite direction when LED is on.
3. Press and hold the boost button (C). The blade speed increases when the LED is on.

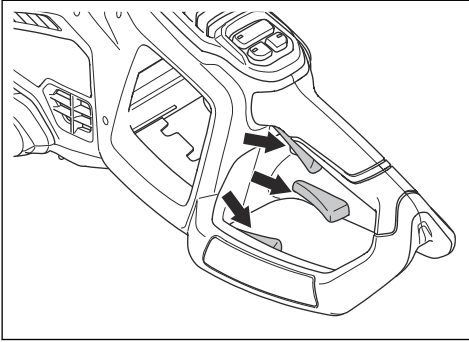
### To do a check of the power trigger lockout and power triggers

The power trigger lockout prevents accidental operation. When you release the handle, the power trigger on rear handle and the power trigger lockout on the front handle both move back to their original positions.

1. Start the product.
2. Press the power trigger lockout on the front handle.



3. Press 1 of the power triggers on the rear handle up to apply full power.



4. Release the power trigger on the rear handle to check the free back movement of the power trigger. The blade must stop immediately.
5. Do step 3 and 4 for each of the other power triggers.
6. Stop the product.
7. Do step 1 and 2.
8. Release the power trigger lockout on the front handle. Make sure that the power trigger lockout returns to its original position. The blade must stop immediately.

### To do a check of the hand guard

The hand guard prevents hands from accidental contact with the blades.

1. Stop the product.
2. Remove the battery.
3. Check that the hand guard is attached correctly.
4. Examine the hand guard for damages.

### To do a check of the blades

1. Stop the product.
2. Remove the battery.
3. Put on gloves.
4. Make sure that the blades are not damaged or bent. Replace the blades if they are damaged or bent.

### Battery safety



**WARNING:** Read the warning instructions that follow before you use the product.

- Only use an approved Husqvarna rechargeable battery. Refer to *Approved batteries for the product on page 18*. The battery is software encrypted.
- Use the Husqvarna battery that is rechargeable as a power supply for the related Husqvarna products only. To prevent injury, do not use the battery as a power supply for other devices.
- Risk of electrical shock. Do not connect the battery terminals to keys, coins, screws or other metal. This can cause a short circuit of the battery.
- Do not use non-rechargeable batteries.
- Do not put objects into the air slots of the battery.
- Keep the battery away from sunlight, heat or open flame. The battery can cause burns and/or chemical burns.
- Keep the battery away from microwaves and high pressure.
- Do not try to disassemble or break the battery.
- If the battery leaks, do not let the liquid touch your body or eyes. If you have touched the liquid, clean the area with a large quantity of water and soap, and get medical aid. If you get liquid in your eyes, do not rub but flush with water for a minimum of 15 minutes and get medical aid.
- Use the battery in temperatures between 14°F (-10°C) and 104°F (40°C).
- Do not clean the battery or the battery charger with water. Refer to *To clean the product, the battery and the battery charger on page 16*.
- Do not use a damaged battery.
- Keep batteries in storage away from metal objects such as nails, screws or jewelry.
- Keep the battery away from children.

### Battery charger safety



**WARNING:** Read the warning instructions that follow before you use the product.

- Risk of electrical shock or short circuit if the safety instructions are not obeyed.
- Use an approved grounded mains socket that is not damaged.
- Do not use other battery chargers than the one supplied for your product. Only use

Husqvarna QC chargers when you charge Husqvarna replacement batteries BLi.

- Do not try to disassemble the battery charger.
- Do not use a battery charger that is damaged or do not operate correctly.
- Do not lift the battery charger by the power cord. To disconnect the battery charger from a mains socket, pull out the plug. Do not pull the power cord.
- Keep all cables and extension leads away from water, oil and sharp edges. Make sure that the cable is not caught between doors, fences or similar.
- Do not use the battery charger near flammable materials or materials that can cause corrosion. Make sure that the battery charger is not covered. Pull out the plug to the battery charger if there is smoke or fire.
- Only charge the battery indoors in a location with good airflow and away from sunlight. Do not charge the battery outdoors. Do not charge the battery in wet conditions.
- Only use the battery charger where the temperature is between 5 °C (41 °F) and 40 °C (104 °F). Use the charger in an environment which has a good airflow, dry and free from dust.
- Do not put objects into the cooling slots of the battery charger.
- Do not connect the battery charger terminals to metal objects as this can short circuit the battery charger.
- Use approved wall sockets that are not damaged.
- Use only three-wire outdoor extension cords that have three-prong grounding plugs and grounding receptacles that accept the appliance's plug.
- Regularly examine that the power cord is not damaged. Immediately disconnect the battery charger if the power cord is damaged.
- If the power cord is damaged replace the power cord.
- Keep the battery charger away from children.

- Do not use the battery charger when there is a risk of lightning.
- Do not operate the battery charger with wet hands.
- This appliance can be used by children aged from 8 years and above and persons with reduced physical, sensory or mental capabilities or lack of experience and knowledge if they have been given supervision or instruction concerning use of the appliance in a safe way and understand the hazards involved. Children shall not play with the appliance. Cleaning and user maintenance shall not be made by children without supervision.

---

## Safety instructions for maintenance

---



**WARNING:** Read the warning instructions that follow before you do maintenance on the product.

---

- Remove the battery before you do maintenance, other checks or assemble the product.
- The operator must only do the maintenance and servicing shown in this operator's manual. Turn to your servicing dealer for maintenance and servicing of a larger extension.
- Do not clean the battery or the battery charger with water. Strong detergent can cause damage to the plastic.
- If you do not do maintenance, it decreases the life cycle of the product and increases the risk of accidents.
- Special training is necessary for all servicing and repair work, especially for the safety devices on the product. If not all checks in this operator's manual are approved after you have done maintenance, turn to your servicing dealer. We guarantee that there are professional repairs and servicing available for your product.
- Only use original spare parts.

# SAVE THESE INSTRUCTIONS

## Operation

### Introduction



**WARNING:** Read and understand the safety chapter before you use the product.

### To do before you start the product

1. Examine the work area. Remove objects that can be thrown out.
2. Examine the cutting attachment. Make sure that the blades are sharp, and have no cracks and damages.
3. Make sure that the product works correctly. Examine that all nuts and screws are tight.
4. Make sure that the handle and safety devices are not damaged and are attached correctly. Do not operate a product with missing parts or is changed from its initial specification. Use protective gloves when it is necessary.
5. Make sure that the covers are not damaged and are attached correctly, before you operate the product.

### To connect the battery charger



**WARNING:** Only use the battery charger in ambient temperatures between 41°F (5°C) and 104°F (40°C).

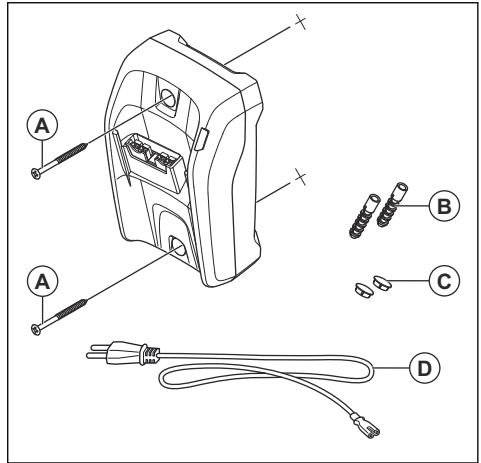
1. Connect the battery charger to the voltage and frequency that is specified on the rating plate.
2. Put the plug in a grounded power outlet. The LED on the battery charger flashes red 1 time and green 1 time.

### To install the battery charger on the wall



**CAUTION:** Do not use an electric screwdriver to install the battery charger to the wall. An electric screwdriver can cause damage to the battery charger.

1. Install the battery charger on the wall with the 2 screws (A). Use wall plugs (B) if it is necessary.



2. Install the 2 screw hole plugs (C).
3. Connect the power cord (D) to the battery charger and a mains socket.

### To charge the battery



**CAUTION:** Make sure that the battery, the battery charger and the terminals on the battery are clean and dry. Do not put the battery in the battery charger if it is dirty or wet.

1. Connect the battery charger to a power outlet. The charging LED flashes red 1 time and green 1 time.



**CAUTION:** Only connect the battery charger to a power outlet with the voltage and frequency specified on the rating plate.

2. Connect the battery to the battery charger. The charging LED comes on.

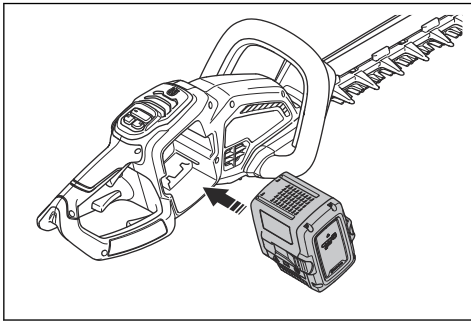
- Remove the battery from the battery charger when it is fully charged. Push the battery indicator button for battery status. When all the LED indicators come on, the battery is fully charged.
- Pull the power plug to disconnect the battery charger from the power outlet. Do not pull the power cord.

### To connect the battery to the product



**WARNING:** Only use Husqvarna original batteries in the product.

- Fully charge the battery.
- Push the battery into the battery holder of the product. The battery locks into position when you hear a click.



**CAUTION:** If the battery does not move easily into the battery holder, the battery is not installed correctly. This can cause damage to the product.

### To install the deflector



**WARNING:** Do not use the deflector as a handle. Do not hold or move the hedge trimmer with the deflector.

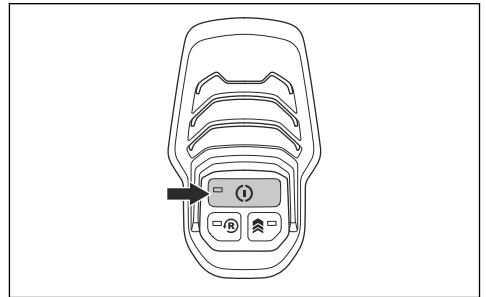
Install the deflector to make removal of cut material easier.

- Stop the product.
- Remove the battery.
- Put on gloves.
- Align the deflector with the grooves on the guide bar.
- Push the deflector fully onto the guide bar.

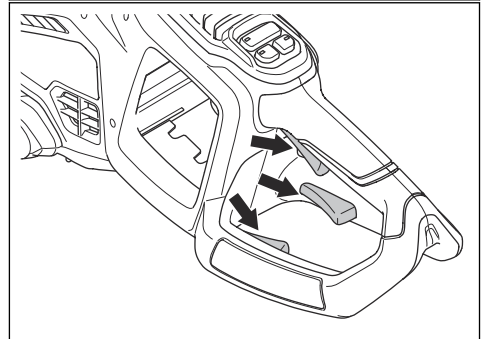
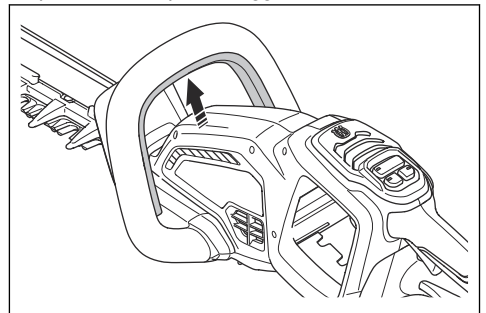
- Install the deflector retainer in the end of the guide bar.

### To start the product

- Push and hold the start/stop button until the green LED comes on.



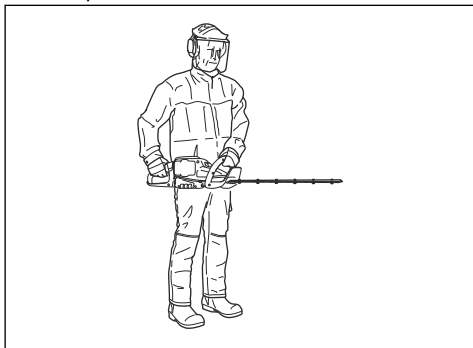
- Push the power trigger lockout and one of the power triggers for a standard operation position. To use the extended range position, push 2 of the power triggers.



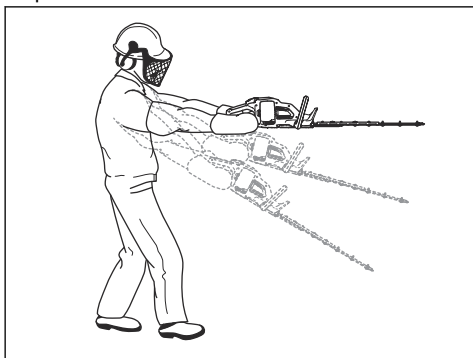
**Note:** The use of the power trigger lockout is only necessary if you start the product in the standard operation position.

## To operate the product

- Hold the product with your two hands. If you operate the product in the standard position, hold the product near your body for a stable work position.

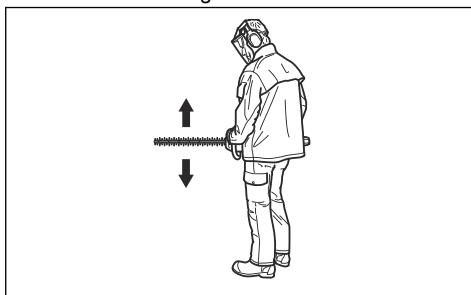


- If you operate the product at an extended range, make sure that you have a stable work position.



**WARNING:** Operation of the product at an extended range can make you tired.

- Start near the ground and move the product up along the hedge when you cut the sides. Make sure that the body of the product does not touch the hedge.

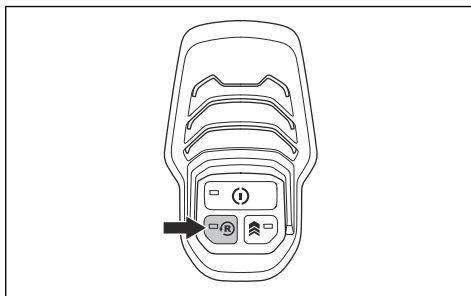


**WARNING:** Make sure that the front of the cutting equipment does not touch the ground.

- Use the 3 rear handles to operate the product at different angles.
- Be careful and operate the product slowly.

## To clear material from the blades

1. Press the reverse button.

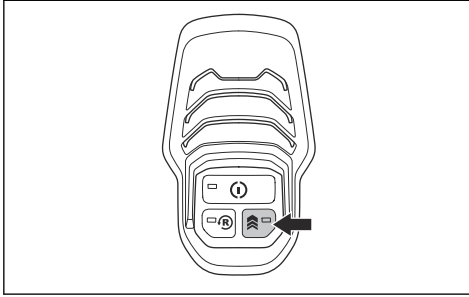


2. Press 2 power triggers. The blade operates in the opposite direction momentarily.
3. Press the power triggers again. The blade operates in the usual direction.
4. If it is necessary, do step 1-3 again.

## To temporarily increase the blade speed

1. Start the product. Refer to *To start the product* on page 13.

2. Press the boost button to get the maximum blade speed. The LED comes on.



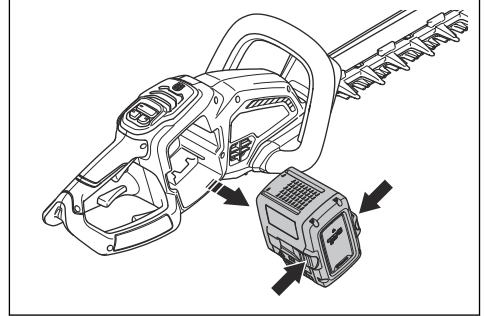
3. Release the boost button to use the product with the initial blade speed.

### Automatic shutdown function

The product has an automatic shutdown function that stops the product if it is not used. The green LED for start/stop indication goes off and the product stops after 45 seconds.

### To stop the product

1. Release the power trigger or the power trigger lockout.
2. Press the start/stop button until the green LED goes out.
3. Press the release buttons on the battery and remove the battery.



## Maintenance

### Introduction



**WARNING:** Read and understand the safety chapter before you do maintenance work on the product.



**WARNING:** Remove the battery before you do maintenance on the product.

### Maintenance schedule

The following is a list of the maintenance steps that you must do on the product.

Maintenance	Before use	Weekly	Monthly
Clean the external parts of the product.	X		
Examine that the start and stop switch works correctly and is not damaged.	X		
Make sure that the power trigger and the power trigger lockout function correctly from a safety point of view.	X		
Make sure that all controls work and are not damaged.	X		
Make sure that the cutter blade and cutter guard have no cracks and that they are not damaged. Replace the cutter blade or the cutter guard if they have cracks or if they have been exposed to impact.	X		
Replace the cutter blade if it is bent or damaged.	X		

Maintenance	Before use	Weekly	Monthly
Make sure that the hand guard is not damaged. Replace the guard if it is damaged.	X		
Make sure that the screws and nuts are tight.	X		
Make sure that the battery is not damaged.	X		
Make sure that the battery is charged.	X		
Make sure that the battery charger is not damaged.	X		
Make sure that the screws that hold the cutter blades together are correctly tightened.		X	
Do a check of the connections between the battery and the product. Do a check of the connection between the battery and the battery charger.			X

### To examine the battery and the battery charger

1. Examine the battery for damages, for example cracks.
2. Examine the battery charger for damages, for example cracks.
3. Make sure that the connection cord of the battery charger is not damaged and that there are no cracks in it.

### To clean the product, the battery and the battery charger

1. Clean the product with a dry cloth after use.
2. Clean the battery and battery charger with a dry cloth. Keep the battery guide tracks clean.
3. Make sure that the terminals on the battery and the battery charger are clean before the battery is put in the battery charger or the product.

### To examine the blade

1. Clean the blade from unwanted materials with an anti corrosion cleaning agent before and after you use the product.
2. Examine the edges of the blade for damages and deformation.

3. Use a file to remove burrs on the blade.
4. Make sure that the blades move freely.

### To clean and lubricate the blades

1. Clean the blades from unwanted materials before and after you use the product.
2. Lubricate the blades before long periods of storage.

---

**Note:** Speak to your servicing dealer for more information about recommended cleaning agents and lubricants.

---

### To lubricate the gear

Apply grease to the gear housing if the gear has been disassembled by an approved servicing dealer.

- Use Husqvarna special grease. Speak to your servicing dealer for more information about recommended grease.
- Only use a small quantity of a special high quality grease.



**CAUTION:** Do not fill the gear housing fully.

---



---

## Troubleshooting

---

### Battery

LED display	Possible faults	Possible action
The green LED flashes.	Low battery voltage.	Charge the battery.
The error LED flashes.	Temperature deviation.	Use the battery in temperatures between -10°C (14°F) and 40°C (104°F).
	Too much voltage.	Make sure that the mains voltage aligns with the voltage stated on the rating plate of the product.
		Remove the battery from the battery charger.
The error LED is on.	Cell difference is too much (1V).	Speak to your servicing dealer.

### Battery charger

Problem	Possible faults	Possible solution
Red error LED flashes.	Temperature deviation.	Use the battery charger in temperatures between 5 °C (41 °F) and 40 °C (104 °F).
Red error LED comes on.	Too much cell difference (1V).	Speak to your servicing dealer.

---

## Transportation, storage and disposal

---

### Transportation and storage

- The supplied Li-ion batteries obey the Dangerous Goods Legislation requirements.
- Obey the special requirement on package and labels for commercial transportation, including by third parties and forwarding agents.
- Speak to a person with special training in dangerous material before you send the product. Obey all applicable national regulations.
- Use tape on open contacts when you put the battery in a package. Put the battery in the package tightly to prevent movement.
- Remove the battery for storage or transportation.
- Put the battery and the battery charger in a space that is dry and free from moisture and frost.
- Do not keep the battery in an area where static electricity can occur. Do not keep the battery in a metal box.
- Put the battery in storage where the temperature is between 5°C/41°F and 25°C/77°F and away from open sunlight.
- Put the battery charger in storage where the temperature is between 5 °C/41 °F and 45°C/113°F and away from open sunlight.

- Use the battery charger only when the surrounding temperature is between 5°C/41°F and 40°C/104°F.
- Charge the battery 30% to 50% before you put it in storage for long periods.
- Put the battery charger in storage in a space that is closed and dry.
- Keep the battery away from the battery charger during storage. Do not let children and other not approved persons to touch the equipment. Keep the equipment in a space that you can lock.
- Clean the product and do a full servicing before you put the product in storage for a long time.
- Use the transportation guard on the product to prevent injuries or damage on the product during transportation and storage.

- Attach the product safely during transportation.

## Disposal of the battery, battery charger and product

Symbols on the product or the package of the product means that the product is not domestic waste. Recycle it at a recycling station for electrical and electronic equipment. This helps to prevent damage to the environment and to persons.

Get in touch with your local authorities, domestic waste service or your dealer for more information about how to recycle your product.

---

## Technical data

---

### Technical data

	<b>320iHD60</b>
<b>Motor</b>	
Motor type	BLDC
<b>Weight</b>	
Weight without battery, lb/kg	8.42/3.82
Weight with battery, lb/kg	11.07/5.02
<b>Blades</b>	
Type	Double sided
Blade length, in./mm	24/609
Blade speed, cuts/min	3000-3800

### Approved batteries for the product

Battery	<b>BLi22</b>	<b>BLi30</b>	<b>40-B140</b>
Type	Lithium-ion	Lithium-ion	Lithium-ion
Battery capacity, Ah	4.2	7.5	4.0
Nominal voltage, V	36	36	36

<b>Battery</b>	<b>BLi22</b>	<b>BLi30</b>	<b>40-B140</b>
Weight, lb/kg	2.9/1.3	4.2/1.9	2.6/1.2

### Approved battery chargers

<b>Battery charger</b>	<b>QC250</b>	<b>40-C80</b>
Input voltage, V	100-240	100-240
Frequency, Hz	50-60	50-60
Power, W	250	80

# Contenido

Introducción.....	20	Solución de problemas.....	36
Seguridad.....	22	Transporte, almacenamiento y eliminación de residuos.....	37
Funcionamiento.....	31	Datos técnicos.....	38
Mantenimiento.....	35		

# Introducción

## Descripción de la máquina

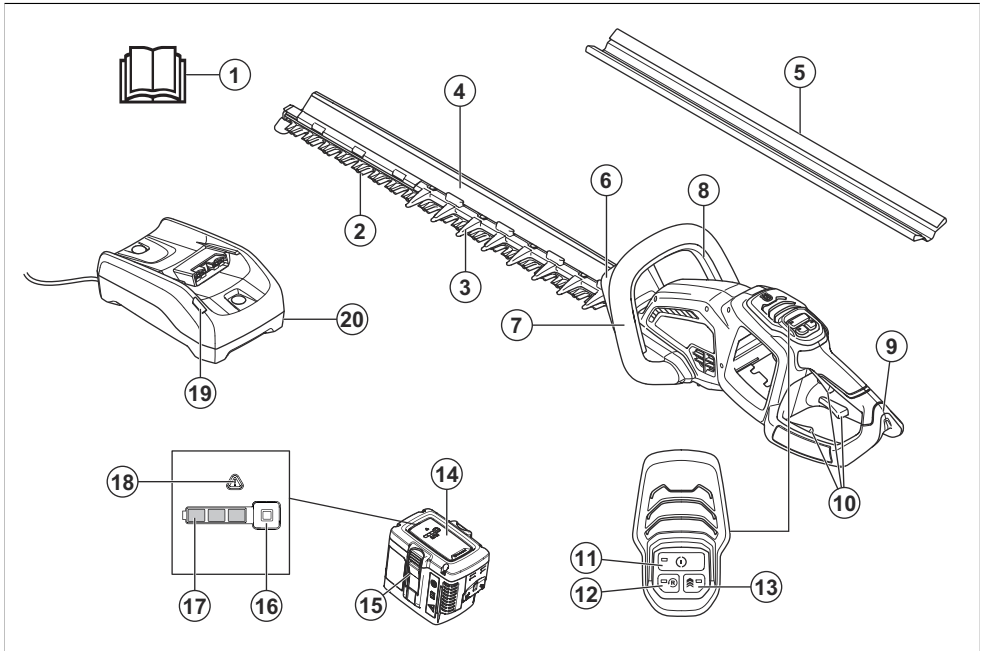
Husqvarna 320iHD60 es un cortasetos con batería y motor eléctrico.

Se realiza un trabajo constante para aumentar su seguridad y la eficiencia durante la operación. Póngase en contacto con su taller de servicio para obtener más información.

## Uso específico

Utilice el producto para cortar ramas grandes y pequeñas. No utilice el producto para otras tareas.

## Descripción general del producto



- |                               |  |
|-------------------------------|--|
| 1. Manual del usuario         | 7. Mango delantero                     |
| 2. Hoja                       | 8. Bloqueo del gatillo de alimentación |
| 3. Protección de cuchilla     | 9. Mangos traseros                     |
| 4. Deflector                  | 10. Gatillos de alimentación           |
| 5. Protección para transporte | 11. Botón de arranque/detención        |
| 6. Guardamanos                | 12. Botón de retroceso                 |

- 13. Botón de refuerzo
- 14. Batería, incluida solo en el kit
- 15. Botones de liberación de la batería
- 16. Botón del indicador de batería
- 17. Estado de la batería
- 18. Indicador de advertencia
- 19. Indicador de encendido y de advertencia
- 20. Cargador de batería, incluido solo en el kit

## Símbolos en el producto



**ADVERTENCIA:** Este producto puede ser peligroso y provocar daños graves o fatales al operador o a otras personas. Tenga cuidado y utilice el producto correctamente.



Lea atentamente el manual del usuario y asegúrese de que entiende las instrucciones antes de utilizar el producto.



Use siempre protectores auriculares aprobados y gafas protectoras o un visor. Se debe utilizar una máscara respiratoria cuando exista riesgo de polvo.



**PELIGRO:** Mantenga las manos alejadas de la cuchilla.



No la exponga a la lluvia.



Corriente continua.



El producto o paquete del producto no es residuo doméstico. Recíclolo en una planta de reciclaje para equipo eléctrico y electrónico.

aassxxxxx

En la placa de características, se muestra el número de serie. **aa** es el año de producción, **ss** es la semana de producción.

## Símbolos en la batería



Recicle este producto en una planta de reciclaje para equipo eléctrico y electrónico.

## Símbolos en el cargador de la batería



Tenga cuidado y utilice el producto correctamente. Este producto puede causar daños graves o fatales al operador o a otras personas.



Lea atentamente el manual de instrucciones y asegúrese de que entiende las instrucciones antes de usar el producto.



Este producto cumple con las directivas CE pertinentes.



El producto o paquete del producto no es residuo doméstico. Recíclolo en un sitio de eliminación de desechos adecuado para equipos eléctricos y electrónicos.



Use y mantenga el cargador de batería únicamente en interiores.

**Tenga en cuenta:** Otros símbolos o etiquetas del producto hacen referencia a requisitos de certificación de algunas zonas comerciales.

## Propuesta 65 de California

**!ADVERTENCIA!**

Este producto contiene o emite productos químicos que pueden causar cáncer, defectos congénitos u otros daños en el sistema reproductor.

## Asistencia al cliente

Para comunicarse con asistencia al cliente, llame al: 1-800-487-5951 o visite [www.usa.husqvarna.com](http://www.usa.husqvarna.com).

## Fabricante

Husqvarna Professional Products, Inc.

9335 Harris Corners Pkwy, Charlotte, NC 28269, USA

## Daños en el producto

No somos responsables de los daños a nuestro producto en los siguientes casos:

- el producto se repara incorrectamente
- el producto se repara con piezas que no son del fabricante o que este no autoriza
- el producto tiene un accesorio que no es del fabricante o que este no autoriza
- el producto no se repara en un centro de servicio autorizado o por una autoridad aprobada.

---

## Seguridad

---

### Definiciones de seguridad

Las advertencias, precauciones y notas se utilizan para señalar las piezas particularmente importantes del manual.



**ADVERTENCIA:** Se utilizan para señalar el riesgo de lesiones graves o mortales para el operador o para aquellos que se encuentren cerca si no se siguen las instrucciones del manual.



**AVISO:** Se utilizan para señalar el riesgo de dañar la máquina, otros materiales o el área adyacente si no se siguen las instrucciones del manual.

**Tenga en cuenta:** Se utilizan para entregar más información necesaria en situaciones particulares.

## INSTRUCCIONES DE SEGURIDAD IMPORTANTES



**ADVERTENCIA:** Lea todas las advertencias de seguridad y todas las instrucciones. En caso de no seguir las advertencias ni las instrucciones se pueden producir sacudidas eléctricas, incendios o daños graves.

### Lea todas las instrucciones



**ADVERTENCIA:** Cuando utilice aparatos eléctricos para jardines, siga siempre las precauciones de seguridad básicas para reducir el riesgo de incendio, sacudida eléctrica y daños personales, como los siguientes:

### Advertencias de seguridad generales de la herramienta eléctrica



**ADVERTENCIA:** Lea todas las advertencias de seguridad y todas las instrucciones. En caso de no seguir las advertencias ni las instrucciones se pueden producir sacudidas eléctricas, incendios o daños graves.

**Tenga en cuenta: Guarde todas las advertencias e instrucciones para futuras referencias.** El término "herramienta eléctrica" que se indica en las advertencias hace referencia a la herramienta eléctrica (con cable) operada con corriente o a la herramienta eléctrica operada con baterías (inalámbrica).

### Seguridad en el área de trabajo

- **Mantenga el área de trabajo limpia y bien iluminada.** Las áreas desordenadas u oscuras pueden generar accidentes.
- **No opere herramientas eléctricas en atmósferas explosivas, como ante presencia de gases, polvo o líquidos inflamables.** Las herramientas eléctricas generan chispas que pueden encender el polvo o humos.
- **Mantenga alejados a niños y transeúntes mientras opera una herramienta eléctrica.**

Las distracciones pueden hacerle perder el control.

## Seguridad eléctrica

- **Los enchufes de la herramienta eléctrica deben coincidir con la toma de corriente. Nunca modifique el enchufe de ninguna forma. No utilice enchufes con adaptador con herramientas eléctricas conectadas a tierra.** Los enchufes sin modificaciones y las tomas correspondientes reducen el riesgo de sacudida eléctrica.
- **Evite el contacto corporal con superficies conectadas a tierra, como tuberías, radiadores, estufas y refrigeradores.** Existe un mayor riesgo de sacudida eléctrica si su cuerpo está conectado a tierra.
- **No exponga las herramientas eléctricas a la lluvia o a la humedad.** Si entra agua en una herramienta eléctrica, aumenta el riesgo de sacudida eléctrica.
- **No haga mal uso del cable. Nunca utilice el cable para transportar, tirar o desconectar la herramienta eléctrica. Mantenga el cable alejado del calor, el aceite, los bordes afilados o las piezas en movimiento.** Cables dañados o enredados aumentan el riesgo de sacudida eléctrica.
- **Al operar una herramienta eléctrica en exteriores, utilice un cable de extensión apto para su uso al aire libre.** La utilización de un cable apto para el uso al aire libre reduce el riesgo de sacudida eléctrica.
- **Si no se puede evitar el uso de una herramienta eléctrica en un lugar húmedo, utilice un suministro con protección de un interruptor de circuito de falla a tierra (GFCI, por su sigla en inglés).** El uso de un GFCI reduce el riesgo de sacudida eléctrica.

## Seguridad personal

- **Permanezca alerta, ponga atención a lo que está haciendo y use el sentido común cuando manipule una herramienta eléctrica. No utilice una herramienta eléctrica si está cansado o bajo la influencia de drogas, alcohol o medicamentos.** Un momento de distracción a la hora de operar una herramienta eléctrica puede generar daños personales graves.
  - **Utilice el equipo de protección personal. Siempre utilice protección ocular.** El equipo de protección (como máscara contra polvo, calzado de seguridad antideslizante, casco
- o protectores auriculares) que se utiliza en condiciones pertinentes reducirá los daños personales.
- **Evite el arranque accidental. Asegúrese de que el interruptor esté en la posición de apagado antes de conectar la herramienta a una fuente de energía o insertar una batería, así como cuando recoja o transporte la herramienta.** Al transportar herramientas eléctricas con su dedo en el interruptor o al suministrarles corriente con el interruptor en la posición de encendido, se pueden provocar accidentes.
  - **Quite cualquier llave de ajuste antes de encender la herramienta eléctrica.** Una llave conectada a una pieza giratoria de la herramienta eléctrica puede causar daños personales.
  - **No se estire demasiado. Mantenga una posición y un equilibrio adecuados en todo momento.** Esto permite un mejor control de la herramienta eléctrica en situaciones inesperadas.
  - **Vístase adecuadamente. No use ropa suelta ni joyas. Mantenga su cabello, su ropa y sus guantes alejados de las piezas en movimiento.** La ropa suelta, las joyas o el cabello largo pueden enredarse en las piezas en movimiento.
  - **Si se proporcionan dispositivos para la conexión de instalaciones de recolección y extracción de polvo, asegúrese de que estos se conecten y utilicen de manera pertinente.** El uso de recolectores de polvo puede reducir los peligros relacionados con el polvo.
  - **No permita que la familiaridad obtenida del uso frecuente de las herramientas le permita confiarse e ignorar los principios de seguridad de las herramientas.** Una acción descuidada puede causar lesiones graves dentro de una fracción de segundo.
  - La emisión de vibración durante el uso de la herramienta eléctrica puede ser diferente del valor total indicado en función de la forma en que se utilice la herramienta. El usuario debe conocer las medidas de seguridad para protegerse a sí mismo, las que se basan en una estimación de la exposición en condiciones de uso reales (teniendo en cuenta todas las partes del ciclo de funcionamiento, como el período en que la herramienta está apagada y cuando esté funcionando en ralentí además del gatillo).

## Uso y cuidado de la herramienta eléctrica

- **No fuerce la herramienta eléctrica. Utilice la herramienta eléctrica correcta según su aplicación.** Con la herramienta eléctrica correcta, hará el trabajo mejor y de manera más segura a razón del propósito para la cual fue diseñada.
- **No utilice la herramienta eléctrica si no se puede encender o apagar con el interruptor.** Cualquier herramienta eléctrica que no se puede controlar con el interruptor conlleva peligros y se debe reparar.
- **Desconecte el enchufe de la fuente de energía y/o retire la unidad de batería, si es desmontable, de la herramienta eléctrica antes de hacer ajustes, cambiar accesorios o almacenar la herramienta eléctrica.** Tales medidas de seguridad preventivas reducen el riesgo de arranque accidental de la herramienta eléctrica.
- **Almacene las herramientas eléctricas inactivas fuera del alcance de los niños y no permita que personas que no estén familiarizadas con la herramienta eléctrica o con estas instrucciones operen la herramienta eléctrica.** Las herramientas eléctricas conllevan peligros en manos de usuarios inexpertos.
- **Realice mantenimiento en las herramientas eléctricas y los accesorios. Revise en busca de atascamiento o desalineación de las piezas móviles, rotura de piezas o cualquier otra condición que pueda afectar el funcionamiento de la herramienta eléctrica. Si se daña, repare la herramienta eléctrica antes de su uso.** Muchos de los accidentes se deben a herramientas eléctricas con un mal mantenimiento.
- **Mantenga las herramientas de corte afiladas y limpias.** Las herramientas de corte con un mantenimiento correcto y bordes cortantes afilados son menos propensas a atascamientos y más fáciles de controlar.
- **Utilice la herramienta eléctrica, los accesorios, las barrenas, etc. de acuerdo con estas instrucciones, conforme a las condiciones de trabajo y la tarea que se debe realizar.** El uso de la herramienta eléctrica en operaciones distintas de las previstas podría generar una situación peligrosa.
- **Mantenga los mangos y las superficies de agarre secos, limpios y sin grasa ni aceite.**

Los mangos y las superficies de agarre resbaladizas no permiten un manejo seguro ni el control de la herramienta en situaciones imprevistas.

## Uso y cuidado de la herramienta a batería

- **Recargue únicamente con el cargador especificado por el fabricante.** Un cargador apto para un tipo de unidad de batería puede implicar riesgo de incendio si se usa con otra unidad de batería distinta.
- **Utilice las herramientas eléctricas únicamente con las unidades de batería específicas para ellas.** El uso de otras baterías puede implicar riesgo de lesiones e incendio.
- **Cuando la unidad de batería no esté en uso, manténgala alejada de otros objetos metálicos, como sujetapapeles, monedas, llaves, clavos, tornillos u otros objetos metálicos pequeños que puedan provocar una conexión entre los terminales.** Si hace un puente entre los terminales de la batería, puede causar quemaduras o un incendio.
- **En condiciones extremas, la batería puede expulsar líquido; evite el contacto. Si se produjera un contacto accidentalmente, enjuáguese con agua. Si el líquido entra en contacto con los ojos, además, acuda a un médico.** El líquido expulsado de la batería puede causar irritaciones o quemaduras.
- **No utilice una unidad de batería ni una herramienta dañada o modificada.** Las baterías dañadas o modificadas pueden presentar un comportamiento impredecible que puede ocasionar incendios, explosiones o riesgo de lesiones.
- **No exponga una batería o herramienta al fuego o a temperaturas excesivas.** La exposición al fuego o a temperaturas superiores a 130 °C (265 °F) puede causar una explosión.
- **Siga todas las instrucciones de carga y no cargue la unidad de batería ni la herramienta con un valor que no se encuentre dentro del rango de temperatura especificado en las instrucciones.** Si realiza la carga de manera inadecuada o a temperaturas que no se encuentren dentro del rango especificado puede dañar la batería y aumentar las posibilidades de que se produzca un incendio.



## Servicio

- **Asegúrese de que un experto calificado realice la reparación de la herramienta eléctrica solo con piezas de repuesto idénticas.** Esto garantizará que se mantenga la seguridad de la herramienta eléctrica.
- **Nunca realice servicio a unidades de baterías dañadas.** Solo el fabricante o los proveedores de servicios autorizados deben realizar el servicio de las unidades de batería.

## Advertencias de seguridad del cortasetos: seguridad personal

- Utilice ambas manos cuando opere el cortasetos. Si utiliza una sola mano puede perder el control, y como consecuencia, provocar lesiones graves.
- **Mantenga todas las partes del cuerpo lejos de la cuchilla cortadora. No retire el material cortado ni retenga el material que se cortará mientras las hojas se muevan. Asegúrese de que el interruptor esté apagado cuando retire el material atascado. Las hojas quedan en punto muerto después del apagado.** Un momento de distracción a la hora de operar un cortasetos puede generar daños personales graves.
- **Para transportar el cortasetos, utilice el mango con la hoja de la cortadora inmóvil.** El manejo adecuado del cortasetos reducirá la posibilidad de daños personales causados por las hojas de la cortadora.
- **Cuando transporte o almacene el cortasetos, coloque siempre la cubierta de la hoja.** El manejo adecuado del cortasetos disminuye el riesgo de lesiones personales por las cuchillas.
- **Cuando se retire el material atascado o se realice el mantenimiento de la unidad, asegúrese de que todos los interruptores de alimentación estén apagados y que el bloqueo esté en su posición.** El accionamiento inesperado del cortasetos mientras se retira el material atascado o se realiza el mantenimiento puede provocar lesiones personales graves.
- **Manipule la herramienta eléctrica solo en superficies de sujeción aisladas, ya que el disco de corte puede entrar en contacto con cableado oculto o con su propio cable.** Si los discos de corte entran en contacto con un cable con corriente, es posible que las

piezas metálicas expuestas de la herramienta eléctrica reciban tensión y que el operador reciba una sacudida eléctrica.

- **Mantenga todos los cables de alimentación y los cables alejados del área de corte.** Los cables o cables de alimentación pueden estar ocultos en setos o arbustos y pueden ser cortados accidentalmente por la cuchilla.
- **No utilice el cortasetos en condiciones meteorológicas adversas, especialmente, cuando haya un pronóstico de tormentas eléctricas.** Esto disminuye el riesgo de ser alcanzado por un rayo.
- **PELIGRO: Mantenga las manos alejadas de la cuchilla.** El contacto con la cuchilla puede provocar graves lesiones personales.

## Instrucciones generales de seguridad



**ADVERTENCIA:** Lea atentamente las instrucciones de advertencia siguientes antes de usar el producto.

- Retire la batería para evitar que el producto se encienda por accidente.
- Este producto puede ser una herramienta peligrosa si no se maneja con cuidado o si utiliza el producto de forma incorrecta. Este producto puede causar daños graves o fatales al operador o a otras personas.
- No utilice el producto si cambia su especificación inicial. No cambie una parte del producto sin la aprobación del fabricante. Utilice solamente las piezas que están aprobadas por el fabricante. Las lesiones graves o fatales son un posible resultado de un mantenimiento incorrecto.
- Revise el producto antes de utilizarlo. Consulte *Antes de arrancar el producto en la página 31*. No utilice un producto que esté dañado o que no funcione correctamente. Realice los controles de seguridad, el mantenimiento y las instrucciones de servicio descritos en este manual.
- Se debe supervisar a los niños para asegurarse de que no jueguen con el aparato. Nunca permita que los niños u otras personas no capacitadas para el uso del producto o la batería usen o revisen la máquina. Las leyes locales pueden regular la edad del usuario.
- Mantenga el producto en un área cerrada para evitar que los niños u otras personas sin autorización puedan acceder a él.

- Almacene el producto fuera del alcance de los niños.
- Es posible que su garantía no cubra daños o responsabilidades causadas por el uso de accesorios o piezas de repuesto no autorizados.
- Bajo ninguna circunstancia se puede modificar el diseño del producto sin autorización del fabricante. Siempre utilice accesorios originales. Las modificaciones o los accesorios no autorizados pueden provocar daños personales graves o fatales para el operador u otras personas.

---

**Tenga en cuenta:** El uso puede estar regulado por legislaciones nacionales o locales. Cumpla con las normas indicadas.

---

## Instrucciones de seguridad para el funcionamiento



**ADVERTENCIA:** Lea atentamente las instrucciones de advertencia siguientes antes de usar el producto.

- Si se encuentra en una situación en la que no está seguro de cómo proceder, debe preguntarle a un experto. Póngase en contacto con el distribuidor o el taller de servicio. Evite todos los usos que considere que están más allá de su capacidad.
- Nunca utilice el producto si está cansado, bajo la influencia del alcohol o las drogas, medicamentos o cualquier cosa que pudiera afectar su visión, atención, coordinación o criterio.
- Trabajar en condiciones meteorológicas adversas resulta agotador y generalmente presenta más riesgos. Debido a riesgos adicionales, no se recomienda utilizar el producto en condiciones meteorológicas muy adversas, como niebla densa, lluvia copiosa, vientos fuertes, frío intenso o con posibilidades de relámpagos, etc.
- Las cuchillas defectuosas pueden aumentar el riesgo de accidentes.
- No permita que los niños utilicen o se acerquen al producto. Ya que el producto es fácil de encender, los niños podrían hacerlo si no se les vigila lo suficiente. Esto puede significar riesgo de daños personales graves.

Desconecte la batería cuando el producto no cuente con la supervisión adecuada.

- Asegúrese de que ninguna persona o animal se acerque a menos de 15 metros mientras trabaja. Cuando haya varios usuarios trabajando en el mismo lugar, la distancia de seguridad debe ser de al menos 15 metros. De lo contrario, existe el riesgo de daños personales graves. Detenga el producto de inmediato si alguien se acerca. Nunca balancee el producto sin mirar primero hacia atrás para asegurarse de que nadie se encuentre dentro de la zona de seguridad.
- Asegúrese de que ni personas, ni animales ni ningún objeto o elemento puedan influir en su control del producto o que no entren en contacto con el equipo de corte u objetos flojos que son lanzados por el equipo de corte. No obstante, no utilice el producto a menos que pueda pedir ayuda en caso de accidente.
- Siempre inspeccione la zona de trabajo. Quite todos los objetos sueltos como piedras, cristales rotos, clavos, alambres de acero, cuerdas, etc., que podrían salir eyectados o enredarse en el equipo de corte.
- Cerciórese de que puede caminar y mantenerse de pie con seguridad. Revise el área a su alrededor para detectar posibles obstáculos (raíces, piedras, ramas, zanjas, etc.) en caso de que tenga que moverse repentinamente. Tenga sumo cuidado al trabajar en terreno inclinado.
- Mantenga un buen equilibrio en todo momento. No se estire demasiado.
- Apague el producto antes de pasar a otra área. Fije la protección para transporte cuando el producto no esté en uso.
- Nunca ponga el producto hacia abajo, a menos que se encuentre desactivado y sin batería. No deje el producto sin supervisión cuando se encuentre activado.
- Asegúrese de que ninguna prenda de vestir o parte del cuerpo entre en contacto con el equipo de corte cuando el producto se encuentre activado.
- Si algo se atasca en las cuchillas mientras manipula el producto, detenga el trabajo y desactive el producto. Asegúrese de que el equipo de corte se detenga por completo. Retire la batería antes de limpiar, inspeccionar o reparar el producto o las cuchillas.

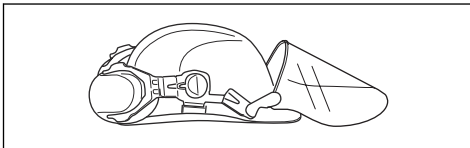
- Mantenga las manos y los pies alejados del equipo de corte hasta que se haya detenido por completo cuando se desactive el producto.
- Tenga cuidado con los trozos de rama que puedan salir despedidos durante el corte. No corte demasiado cerca del suelo, donde piedras y otros objetos puedan ser lanzados.
- Esté atento a que no salgan objetos despedidos. Use siempre protección ocular homologada. No se apoye nunca sobre la protección del equipo de corte. Es posible que las piedras, residuos, etcétera, salgan despedidos en dirección a los ojos y le causen ceguera o lesiones graves.
- Preste atención a las señales de advertencia o gritos cuando utilice protectores auriculares. Siempre retire sus protectores auriculares apenas se detenga el producto.
- No trabaje nunca desde una escalera, taburete ni ninguna otra posición elevada que no cumpla a cabalidad con las normas de seguridad.
- Sostenga el producto con las dos manos. No corte por encima de la altura de los hombros.

### Equipo de protección personal

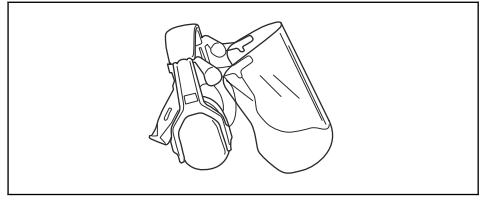


**ADVERTENCIA:** Lea atentamente las instrucciones de advertencia siguientes antes de usar el producto.

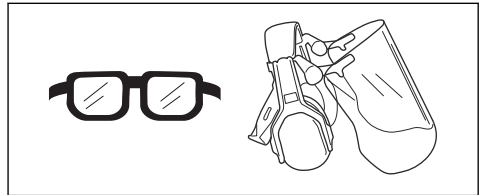
- Utilice siempre el equipo de protección personal adecuado cuando use el producto. El equipo de protección personal no puede impedir el riesgo de lesiones, pero disminuirá el grado de lesión si ocurre un accidente. Permita que su concesionario lo ayude a seleccionar el equipo adecuado.
- Utilice un casco protector cuando exista el riesgo de caída de objetos.



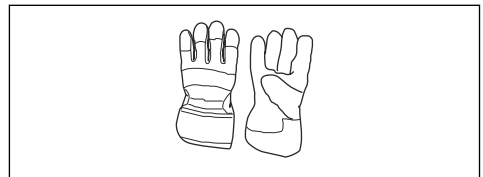
- Utilice protectores auriculares aprobados que proporcionen una reducción de ruido adecuada. La exposición prolongada al ruido puede causar la pérdida permanente de la audición.



- Use protección ocular homologada. Si utiliza un visor, también debe usar gafas protectoras homologadas. Las gafas protectoras homologadas deben cumplir con la norma ANSI Z87.1 de EE. UU. o EN 166 para países de la UE.



- Utilice guantes cuando sea necesario, por ejemplo, cuando conecte, examine o limpie el equipo de corte.

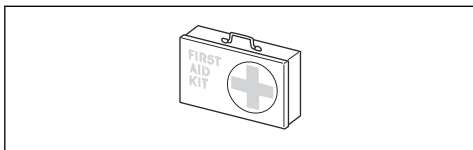


- Utilice botas o zapatos antideslizantes resistentes.



- Utilice ropa de material resistente. Use siempre pantalones largos y gruesos, y mangas largas. Evite usar ropas holgadas que se puedan enganchar con ramas. No trabaje con joyas, pantalones cortos, sandalias ni con los pies descalzos. Asegure su cabello por encima del nivel de los hombros.

- Mantenga un equipo de primeros auxilios a mano.



## Dispositivos de seguridad en el producto



**ADVERTENCIA:** Lea atentamente las instrucciones de advertencia siguientes antes de usar el producto.

En esta sección se describen las características de seguridad del producto y su propósito, y cómo deben llevarse a cabo las comprobaciones y el mantenimiento para asegurarse de que funciona correctamente. Consulte las instrucciones bajo el título *Descripción general del producto en la página 20* para saber dónde se encuentran estas piezas en el producto.

La vida útil del producto se puede reducir y el riesgo de accidentes puede aumentar si el mantenimiento del producto no se realiza correctamente y si el servicio o las reparaciones no se llevan a cabo de forma profesional. Si necesita más información, comuníquese con su taller de servicio más cercano.



**ADVERTENCIA:** No utilice nunca un producto con componentes de seguridad dañados. El equipo de seguridad del producto se debe inspeccionar y mantener tal como se describe en esta sección. Si el producto no pasa exitosamente alguna de estas comprobaciones, póngase en contacto con el taller de servicio para que lo reparen.

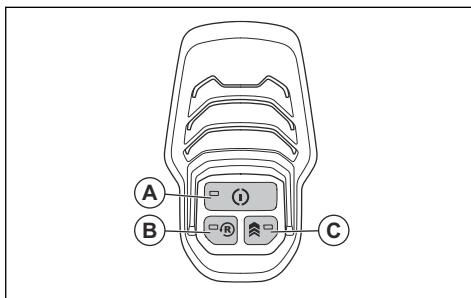


**AVISO:** Todos los trabajos de servicio y reparación de la máquina requieren una formación especial. Esto aplica especialmente al equipo de seguridad. Si la máquina no pasa exitosamente alguna de las comprobaciones indicadas a continuación, póngase en contacto con el taller de servicio. La compra de alguno de nuestros productos le garantiza

la disponibilidad de mantenimiento y servicio profesionales. Si el comerciante que vende la máquina no es un concesionario de servicio, pídale la dirección del taller de servicio más cercano.

## Para comprobar el teclado

1. Mantenga presionado el botón de arranque/detención (A). El producto se enciende cuando la luz LED se enciende.



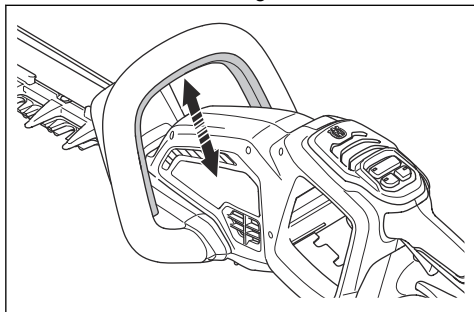
2. Mantenga presionado el botón de retroceso (B). Las cuchillas funcionan en la dirección opuesta cuando el LED está encendido.
3. Mantenga presionado el botón de refuerzo (C). La velocidad de la hora aumenta cuando la luz LED se enciende.

## Comprobación del bloqueo del gatillo de alimentación y los gatillos de alimentación

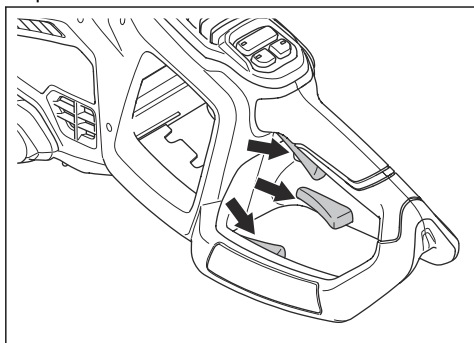
El bloqueo del gatillo de alimentación sirve para impedir la activación involuntaria. Cuando suelte el mango, el gatillo de alimentación en el mango trasero y el bloqueo del gatillo de alimentación en el mango delantero volverán a sus posiciones iniciales.

1. Encienda el producto.

2. Presione el bloqueo del gatillo de alimentación en el mango delantero.



3. Presione 1 de los gatillos de alimentación en el mango trasero hacia arriba para aplicar la potencia máxima.



4. Suelte el gatillo de alimentación en el mango trasero para comprobar el movimiento libre hacia atrás del gatillo de alimentación. La cuchilla debe detenerse inmediatamente.
5. Lleve a cabo los pasos 3 y 4 para cada uno de los otros gatillos de alimentación.
6. Detenga la máquina.
7. Siga los pasos 1 y 2.
8. Suelte el bloqueo del gatillo de alimentación en el mango delantero. Asegúrese de que el gatillo de alimentación vuelva a su posición inicial. La cuchilla debe detenerse inmediatamente.

#### Para comprobar la protección para la mano

La protección para la mano impide el contacto accidental de las manos con las cuchillas.

1. Detenga la máquina.
2. Extraiga la batería.

3. Asegúrese de que la protección para la mano esté correctamente instalada.
4. Examine la protección para la mano para ver si está dañada.

#### Para comprobar las cuchillas

1. Detenga la máquina.
2. Extraiga la batería.
3. Colóquese guantes protectores.
4. Asegúrese de que las cuchillas no estén dañadas ni dobladas. Reemplace las cuchillas si están dañadas o dobladas.

#### Seguridad de la batería



**ADVERTENCIA:** Lea atentamente las instrucciones de advertencia siguientes antes de usar el producto.

- Utilice solo una Husqvarna batería recargable aprobada. Consulte *Baterías homologadas para el producto en la página 38*. La batería cuenta con un software cifrado.
- Utilice una batería Husqvarna que sea recargable como fuente de alimentación solo para los productos Husqvarna relacionados. Para evitar daños, no utilice la batería como fuente de alimentación en otros dispositivos.
- Riesgo de sacudida eléctrica. No conecte los terminales de la batería a llaves, monedas, tornillos u otros objetos metálicos. Esto puede provocar un cortocircuito de la batería.
- No utilice baterías no recargables.
- No introduzca objetos en las ranuras de aire de la batería.
- Mantenga la batería alejada de la luz solar, del calor o de llamas. La batería puede causar quemaduras o quemaduras químicas.
- Mantenga la batería alejada de microondas y de alta presión.
- No intente desarmar o romper la batería.
- Si se produce una filtración en la batería, no permita que el líquido entre en contacto con la piel o los ojos. Si toca el líquido, limpie el área con agua y jabón abundante y solicite asistencia médica. Si el líquido se introduce en los ojos, no los frote, enjuáguese con agua durante un mínimo de 15 minutos y solicite asistencia médica.
- Utilice la batería a temperaturas entre 14°F (-10°C) y 104°F (40°C).

- No limpie con agua la batería o el cargador de batería. Consulte *Para limpiar el producto, la batería y el cargador de batería en la página 36*.
- No utilice una batería que esté dañada.
- Almacene las baterías en compartimientos alejados de objetos metálicos, como clavos, tornillos o joyas.
- Mantenga las baterías alejadas de los niños.

## Seguridad del cargador de batería



**ADVERTENCIA:** Lea atentamente las instrucciones de advertencia siguientes antes de usar el producto.

- Existe riesgo de sacudidas eléctricas o cortocircuitos si no se siguen las instrucciones de seguridad.
- Utilice una toma de corriente con conexión a tierra que no presente daños.
- No utilice otros cargadores de batería además del proporcionado para su producto. Solo utilice cargadores QC Husqvarna cuando cargue las baterías BLi Husqvarna de repuesto.
- No intente desarmar el cargador de batería.
- No utilice un cargador de baterías que esté dañado o que no funcione correctamente.
- No levante el cargador de batería tirando del cable de alimentación. Para desconectar el cargador de batería de la toma de corriente, tire del enchufe. No tire del cable de alimentación.
- Mantenga todos los cables y extensiones alejados del agua, aceite y bordes afilados. Asegúrese de que el cable no quede atrapado entre ruedas, rejillas o similares.
- No utilice el cargador de batería cerca de materiales inflamables o materiales que puedan causar corrosión. Asegúrese de que el cargador de la batería no esté cubierto. Desconecte el cargador de batería del enchufe en caso de incendio o humo.
- Cargue la batería solo en un lugar bajo techo con buena ventilación y lejos de la luz solar. No cargue la batería al aire libre. No cargue la batería en condiciones húmedas.
- Solo utilice el cargador de la batería cuando la temperatura esté entre 5 °C (41 °F) y 40 °C (104 °F). Utilice el cargador en un entorno

que cuente con un buen flujo de aire, seco y sin polvo.

- No introduzca objetos en las ranuras de enfriamiento del cargador de la batería.
- No conecte los terminales del cargador de la batería a objetos metálicos, ya que esto puede causar cortocircuitos en el cargador de la batería.
- Utilice enchufes de pared aprobados que no presenten daños.
- Utilice únicamente cables de extensión para exteriores que tengan enchufe de conexión a tierra de tres espigas y receptáculos a tierra aptos para el enchufe del dispositivo.
- Examine con regularidad que el cable de alimentación no esté dañado. Desconecte inmediatamente el cargador de la batería si el cable de alimentación está dañado.
- Si el cable de alimentación o está dañado, reemplácelo.
- Mantenga el cargador de la batería alejado de los niños.
- No utilice el cargador de la batería cuando haya un riesgo de tormentas eléctricas.
- No manipule el cargador de la batería con las manos mojadas.
- Este aparato puede ser utilizado por niños de 8 años o mayores, y por personas con capacidades físicas, sensoriales o cognitivas reducidas, o que carezcan de la experiencia y los conocimientos necesarios, solo si se los supervisa o reciben instrucciones sobre el uso del aparato de manera segura y si comprenden los peligros involucrados. Los niños no deben jugar con el aparato. La limpieza y el mantenimiento por parte del usuario no debe hacerlo un niño sin supervisión.

## Instrucciones de seguridad para el mantenimiento



**ADVERTENCIA:** Lea atentamente las instrucciones de advertencia antes de realizar mantenimiento al producto.

- Retire la batería antes de hacer el mantenimiento, otras revisiones o el armado del producto.
- El operador solo debe hacer el mantenimiento y el servicio que se indica en el manual del usuario. Acuda a su concesionario de

servicio cuando deba realizar mantenimiento y servicio a mayor escala.

- No limpie con agua la batería o el cargador de batería. Los detergentes fuertes pueden dañar el plástico.
- Si no realiza el mantenimiento, disminuye la vida útil del producto y aumenta el riesgo de accidentes.
- Se necesita capacitación especial para todos los trabajos de servicio y reparación, especialmente de los dispositivos de seguridad del producto. Si no se aprueban

todas las comprobaciones establecidas en este manual del usuario después de realizar el mantenimiento, acuda al concesionario de servicio. Garantizamos que existen reparaciones y servicios profesionales disponibles para su producto.

- Solo utilice piezas de repuesto originales.

## GUARDE ESTAS INSTRUCCIONES

### Funcionamiento

#### Introducción



**ADVERTENCIA:** Asegúrese de leer y comprender el capítulo de seguridad antes de utilizar el producto.

#### Antes de arrancar el producto

1. Inspeccione la zona de trabajo. Retire los objetos que puedan salir eyectados.
2. Inspeccione el equipo de corte. Asegúrese de que las hojas tengan filo y que no presenten grietas ni daños.
3. Asegúrese de que el producto funciona correctamente. Verifique que todas las tuercas y tornillos estén apretados.
4. Asegúrese de que el mango y los dispositivos de seguridad no presenten daños y que estén fijados correctamente. No haga funcionar el producto si le faltan piezas o si se modificaron sus especificaciones iniciales. Utilice guantes protectores cuando sea necesario.
5. Antes hacerlo funcionar, asegúrese de que las cubiertas no presenten daños y que estén fijadas correctamente.

#### Para conectar el cargador de la batería



**ADVERTENCIA:** Utilice el cargador de baterías solo a temperaturas ambiente entre 41°F (5°C) y 104°F (40°C).

1. Conecte el cargador de la batería según el voltaje y la frecuencia especificados en la placa de características.

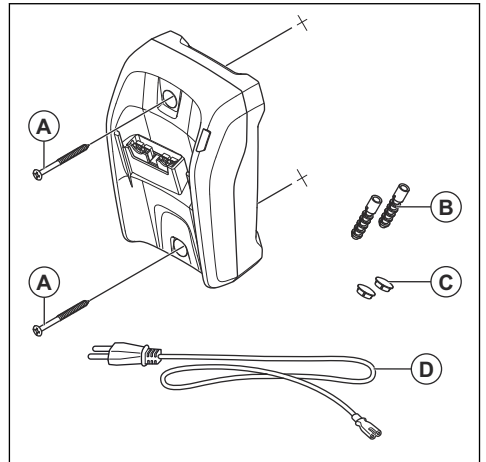
2. Enchufe el producto en una toma de corriente con conexión a tierra. El LED del cargador de la batería parpadea en rojo 1 vez y en verde 1 vez.

#### Para instalar el cargador de la batería en la pared



**AVISO:** No utilice un destornillador eléctrico para instalar el cargador de la batería en la pared. Un destornillador eléctrico puede dañar el cargador.

1. Instale el cargador de la batería en la pared con los 2 tornillos (A). Utilice enchufes de pared (B) si es necesario.



2. Instale los 2 tapones para los orificios de los tornillos (C).

3. Conecte el cable de alimentación (D) al cargador de la batería y a una toma de corriente.

### Para cargar la batería



**AVISO:** Asegúrese de que la batería, el cargador de la batería y los terminales de la batería estén limpios y secos. Si la batería está sucia o húmeda, no la coloque en el cargador de baterías.

1. Conecte el cargador de baterías a una toma de corriente. El LED de carga parpadea en rojo 1 vez y en verde 1 vez.



**AVISO:** Solo conecte el cargador de baterías a una toma de corriente con la tensión y la frecuencia que se especifican en la placa de características.

2. Conecte la batería al cargador. El LED de carga se enciende.
3. Cuando la batería esté completamente cargada, retírela del cargador. Presione el botón del indicador de la batería para ver su estado de carga. Cuando todas las luces LED se enciendan, se indica que la batería está completamente cargada.
4. Tire el enchufe para desconectar el cargador de baterías de la toma de corriente. No tire del cable de alimentación.

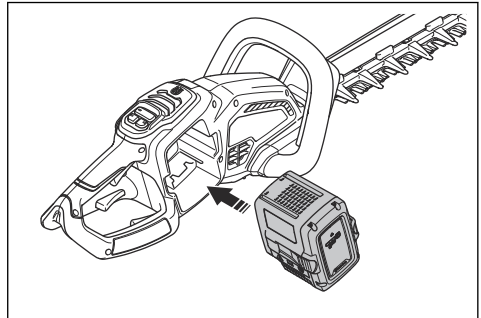
### Para conectar la batería al producto



**ADVERTENCIA:** Utilice solo baterías originales Husqvarna en el producto.

1. Cargue la batería por completo.

2. Presione la batería en el compartimiento de batería del producto. Cuando escuche un clic, significará que la batería se encuentra fija en su posición correspondiente.



**AVISO:** Si la batería no se mueve con facilidad, la instalación de la batería no se realizó correctamente. Esto puede provocar daños al producto.

### Para instalar el deflector



**ADVERTENCIA:** No utilice el deflector como mango. No sostenga ni mueva el cortasetos con el deflector.

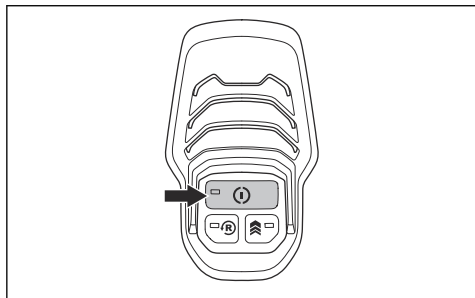
Instale el deflector para facilitar la extracción del material cortado.

1. Detenga la máquina.
2. Extraiga la batería.
3. Colóquese guantes protectores.
4. Alinee el deflector con las ranuras de la espada del cable guía.
5. Empuje el deflector completamente sobre la espada del cable guía.
6. Instale el retenedor del deflector en el extremo de la espada del cable guía.

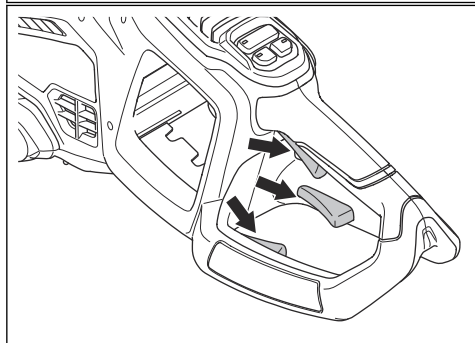
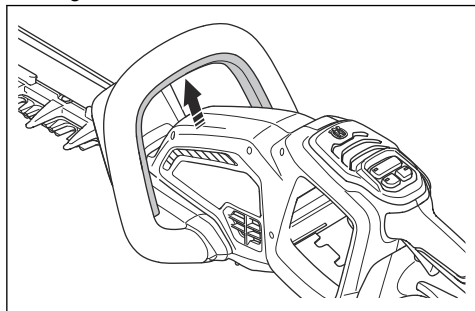


## Para poner en marcha el producto

1. Mantenga presionado el botón de arranque/detención hasta que se encienda una luz LED de color verde.



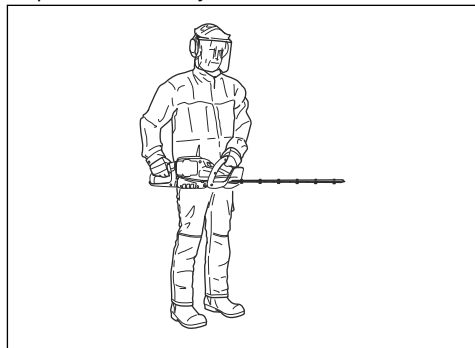
2. Empuje el bloqueo del gatillo de alimentación y uno de los gatillos de alimentación para una posición de operación estándar. Para utilizar la posición de rango extendido, presione 2 de los gatillos de alimentación.



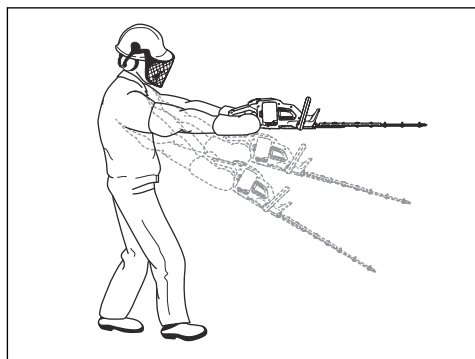
**Tenga en cuenta:** El uso del bloqueo del gatillo de alimentación de potencia solo es necesario si se arranca el producto en la posición de operación estándar.

## Para hacer funcionar el producto

- Sostenga el producto con las dos manos. Si opera el producto en la posición estándar, manténgalo cerca de su cuerpo para una posición de trabajo estable.

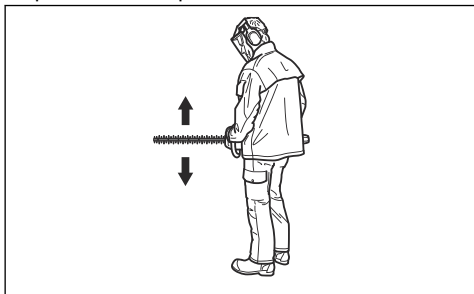


- Si utiliza el producto en un rango extendido, asegúrese de tener una posición de trabajo estable.



**ADVERTENCIA:** La operación del producto a un rango prolongado puede hacer que se sienta cansado.

- Arránquelo cerca del suelo y mueva el producto a lo largo del seto cuando corte en los costados. Asegúrese de que el cuerpo del producto no toque el seto.

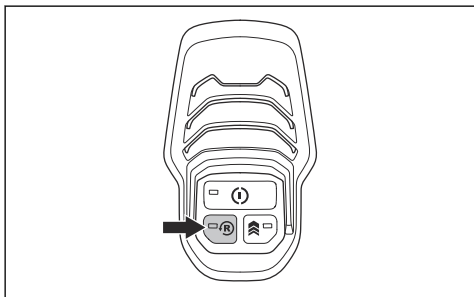


**ADVERTENCIA:** Asegúrese de que la parte delantera del equipo de corte no toque el suelo.

- Utilice los 3 mangos traseros para operar el producto en diferentes ángulos.
- Tenga cuidado y opere el producto lentamente.

#### Para eliminar el material de las cuchillas

1. Pulse el botón de retroceso.

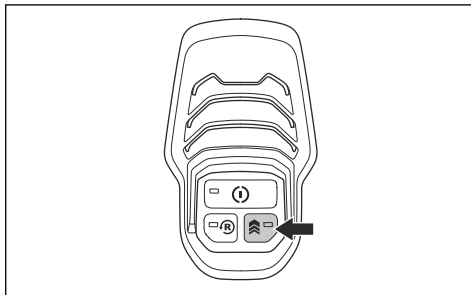


2. Presione 2 gatillos de potencia. La cuchilla opera momentáneamente en el sentido opuesto.
3. Vuelva a presionar los gatillos de alimentación. La cuchilla funciona en la dirección habitual.
4. Si es necesario, vuelva a realizar el paso 1-3.

#### Para aumentar temporalmente la velocidad de la cuchilla

1. Encienda el producto. Consulte *Para poner en marcha el producto en la página 33*.

2. Presione el botón de refuerzo para obtener la velocidad máxima de la cuchilla. La luz LED se enciende.



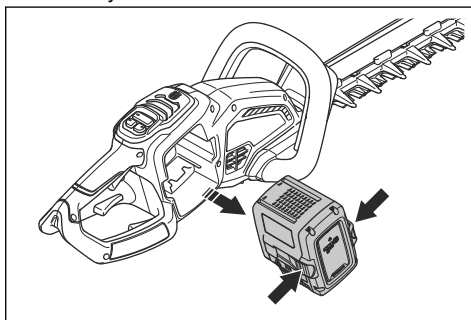
3. Suelte el botón de refuerzo para utilizar el producto con la velocidad inicial de la cuchilla.

#### Función de apagado automático

El producto cuenta con una función de apagado automático, que detiene el producto si no se utiliza. La luz LED verde que indica arranque/detención se apaga y el producto se apaga en 45 segundos.

#### Para detener el producto

1. Suelte el gatillo de alimentación o el bloqueo del gatillo de alimentación.
2. Presione el botón de arranque/parada hasta que se apague la luz LED verde.
3. Presione los botones de liberación de la batería y retírela.



# Mantenimiento

## Introducción



**ADVERTENCIA:** Asegúrese de leer y comprender el capítulo de seguridad antes de realizar trabajos de mantenimiento en el producto.



**ADVERTENCIA:** Extraiga la batería antes de realizar mantenimiento en el producto.

## Programa de mantenimiento

La siguiente es una lista de pasos de mantenimiento que se deben realizar en el producto.

Mantenimiento	Antes del uso	Una vez por semana	Una vez al mes
Limpie las partes exteriores del producto.	X		
Verifique que el interruptor de arranque y detención funcione correctamente y no esté dañado.	X		
Asegúrese de que el gatillo de alimentación y el bloqueo del gatillo de alimentación funcionen correctamente en términos de seguridad.	X		
Asegúrese de que todos los controles funcionen y no estén dañados.	X		
Asegúrese de que las cuchillas cortadoras y la protección de la cortadora no tengan grietas y no estén dañados. Cambie la cuchilla cortadora o la protección de la cortadora si presentan grietas o si se han visto expuestas a golpes.	X		
Reemplace la cuchilla cortadora si está doblada o dañada.	X		
Asegúrese de que la protección para la mano no esté dañada. Reemplace la protección si está dañada.	X		
Asegúrese de que las tuercas y los tornillos estén apretados.	X		
Asegúrese de que la batería no esté dañada.	X		
Asegúrese de que la batería esté cargada.	X		
Asegúrese de que el cargador de la batería no esté dañado.	X		
Asegúrese de que los tornillos que mantienen sujeta la cuchilla cortadora estén correctamente apretados.		X	
Realice una comprobación de las conexiones entre la batería y el producto. Examine también la conexión entre la batería y el cargador de batería.			X

## Para examinar la batería y el cargador de la batería

1. Examine la batería en busca de daños, tales como grietas.
2. Examine el cargador de la batería en busca de daños, tales como grietas.
3. Asegúrese de que el cable de conexión del cargador de batería no presente daños ni grietas.

## Para limpiar el producto, la batería y el cargador de batería

1. Limpie el producto con un paño seco después del uso.
2. Limpie la batería y el cargador de la batería con un paño seco. Mantenga limpios los rieles de guía de la batería.
3. Asegúrese de que las terminales en la batería y en el cargador de la batería estén secos antes de que la batería se coloque en el cargador de la batería o en el producto.

## Para examinar la cuchilla

1. Limpie la cuchilla de materiales no deseados con un limpiador anticorrosión antes y después de utilizar el producto.
2. Inspeccione los bordes de la cuchilla para determinar si presentan daños o deformaciones.

3. Utilice una lima para quitar las rebabas de la cuchilla.
4. Asegúrese de que las hojas se muevan libremente.

## Para limpiar y lubricar las hojas

1. Retire materiales no deseados de las hojas antes y después de utilizar el producto.
2. Lubrique las cuchillas antes de períodos prolongados de almacenamiento.

---

**Tenga en cuenta:** Comuníquese con su taller de servicio para obtener más información sobre los agentes de limpieza y lubricantes recomendados.

---

## Lubricación del engranaje

Aplice grasa en la caja de engranajes si un taller de servicio autorizado la desmontó.

- Utilice la grasa especial de Husqvarna. Comuníquese con su taller de servicio para obtener más información sobre recomendaciones de grasa.
- Utilice solo una pequeña cantidad de grasa especial de alta calidad.



**AVISO:** No llene la caja de engranajes completamente.

---

---

## Solución de problemas

---

### Batería

Pantalla LED	Posibles fallas	Posible medida
El LED verde parpadea.	Voltaje de batería bajo.	Cargue la batería.
El LED de error parpadea.	Variación de temperatura.	Utilice la batería en niveles de temperatura entre -10°C (14°F) y 40°C (104°F).
	Demasiado voltaje.	Asegúrese de que el voltaje de la red de electricidad corresponda al valor indicado en la placa de características del producto.
		Quite la batería del cargador de la batería.

Pantalla LED	Posibles fallas	Posible medida
El LED de error está encendido.	La diferencia de la celda es demasiada (1 V).	Consulte a su concesionario de servicio.

## Cargador de batería

Problema	Posibles fallas	Solución posible
Luz LED roja de error intermitente.	Variación de temperatura.	Utilice el cargador de la batería en niveles de temperatura de entre 5 °C (41 °F) y 40 °C (104 °F).
La luz LED roja de error se enciende.	Demasiada diferencia de la celda (1 V).	Consulte a su concesionario de servicio.

---

## Transporte, almacenamiento y eliminación de residuos

---

### Transporte y almacenamiento

- Las baterías de iones de litio proporcionadas siguen los requisitos de la Legislación de productos peligrosos.
- Siga los requisitos especiales sobre el embalaje y las etiquetas para transportes comerciales, incluidos los de terceros y transportistas.
- Comuníquese con una persona con capacitación especial sobre materiales peligrosos antes de enviar el producto. Siga todas las normas nacionales aplicables.
- Utilice cinta sobre los contactos abiertos cuando coloque la batería en un paquete. Coloque firmemente la batería en el paquete para evitar el movimiento.
- Retire la batería para almacenarla o transportarla.
- Coloque la batería y el cargador de la batería en un lugar seco, donde no haya humedad ni heladas.
- No mantenga la batería en un área donde pueda generarse electricidad estática. No mantenga la batería en una caja metálica.
- Guarde la batería en un lugar donde la temperatura oscile entre los 5 °C/41 °F y los 25 °C/77 °F, lejos de la luz solar directa.
- Guarde el cargador de la batería en un lugar donde la temperatura oscile entre los 5 °C/41 °F y los 45 °C/113 °F, lejos de la luz solar directa.
- Utilice el cargador de la batería solamente cuando la temperatura ambiente oscile entre los 5 °C/41 °F y los 40 °C/104 °F.
- Cargue la batería de un 30 % a un 50 % antes de almacenarla durante períodos prolongados.
- Almacene el cargador de la batería en un espacio cerrado y seco.
- Mantenga la batería lejos del cargador de la batería durante el almacenamiento. No permita que niños y otras personas sin autorización toquen el equipo. Mantenga el equipo en un espacio que pueda cerrar.
- Limpie el producto y realice un mantenimiento total antes de almacenarlo durante un período prolongado.
- Utilice protección para transportes en el producto para evitar lesiones o daños en el producto durante su transporte y almacenamiento.
- Fije el producto de manera segura durante el transporte.

## Eliminación de la batería, el cargador de la batería y el producto

Los símbolos que aparecen en el producto o en el paquete del producto indican que los componentes no constituyen residuos domésticos. Recíclelo en una planta de reciclaje

para equipo eléctrico y electrónico. Esto ayuda a evitar daños al medioambiente y a las personas.

Póngase en contacto con las autoridades locales, de residuos domésticos o con su distribuidor para obtener más información sobre cómo reciclar el producto.

---

## Datos técnicos

---

### Datos técnicos

	<b>320iHD60</b>
<b>Motor</b>	
Tipo de motor	BLDC
<b>Peso</b>	
Peso sin la batería, lb/kg	8,42/3,82
Peso con batería, lb/kg	5,02/11,07
<b>Cuchillas</b>	
Tipo	Doble cara
Longitud de la hoja, pulg/mm	24/609
Velocidad de la hoja, cortes/min	3000-3800

### Baterías homologadas para el producto

Batería	BLi22	BLi30	40-B140
Tipo	lones de litio	lones de litio	lones de litio
Capacidad de la batería, Ah	4,2	7,5	4,0
Voltaje nominal, V	36	36	36
Peso, lb/kg	2,9/1,3	4,2/1,9	2,6/1,2

### Cargadores de batería aprobados

Cargador de la batería	QC250	40-C80
Voltaje de entrada, V	100-240	100-240
Frecuencia, Hz	50-60	50-60

<b>Cargador de la batería</b>	<b>QC250</b>	<b>40-C80</b>
Potencia, W	250	80

# Table des matières

Introduction.....	40	Dépannage.....	56
Sécurité.....	42	Transport, entreposage et mise au rebut.....	57
Fonctionnement.....	51	Caractéristiques techniques.....	58
Entretien.....	55		

## Introduction

### Description de l'outil

L'outil Husqvarna 320iHD60 est un taille-haie à batterie avec moteur électrique.

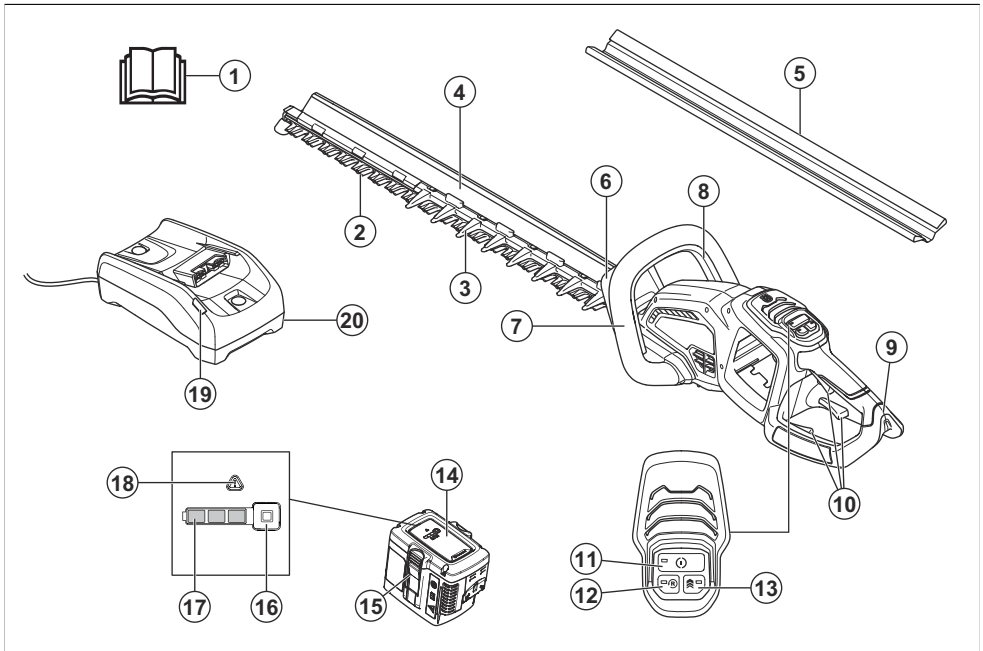
Le travail est constamment en cours pour augmenter votre sécurité et l'efficacité pendant l'utilisation. Pour obtenir de plus amples

renseignements, communiquer avec votre centre de services.

### Utilisation prévue

Utiliser cet outil pour couper les branches et les broussailles. Ne pas utiliser l'outil pour d'autres tâches.

### Présentation de l'appareil



- |   |   |
|---|---|
| 1. Manuel de l'opérateur                      | 8. Mécanisme de verrouillage de la gâchette     |
| 2. Lame                                       | 9. Poignées arrière                             |
| 3. Protège-lames                              | 10. Gâchettes                                   |
| 4. Déflecteur                                 | 11. Bouton de marche/arrêt                      |
| 5. Dispositif de protection pour le transport | 12. Bouton de marche arrière                    |
| 6. Protège-mains                              | 13. Bouton de suralimentation                   |
| 7. Poignée avant                              | 14. Batterie, incluse dans la trousse seulement |



- 15. Boutons de déverrouillage de la batterie
- 16. Bouton indicateur de la batterie
- 17. État de la batterie
- 18. Témoin d'avertissement
- 19. Témoin de marche et d'avertissement
- 20. Chargeur de batterie, inclus dans la trousse seulement

## Symboles figurant sur le produit



**AVERTISSEMENT** : Ce produit peut être dangereux et causer des blessures très graves, ou même mortelles, à l'utilisateur et à d'autres personnes. Faire attention et utiliser le produit correctement.



Lire attentivement le manuel d'utilisation et veiller à bien comprendre les directives avant d'utiliser l'outil.



Toujours porter des protecteurs d'oreille homologués et des lunettes de protection ou une visière. Utilisez un masque respiratoire dans les environnements poussiéreux.



**DANGER** – Tenir les mains éloignées de la lame.



Ne pas exposer aux intempéries.



Courant continu.



Le produit ou l'emballage du produit n'est pas un déchet domestique. Recycler dans un centre de recyclage pour équipements électriques et électroniques.

yywwwxxxx

La plaque signalétique indique le numéro de série. **yy** représente l'année de production, **ww** indique la semaine de production.

## Symboles sur la batterie



Recycler ce produit à la station de recyclage des équipements électriques et électroniques.

## Symboles sur le chargeur de batterie



Faire attention et utiliser le produit correctement. Cet outil peut causer des blessures graves, ou même mortelles, à l'utilisateur et à d'autres personnes.



Avant d'utiliser la tondeuse, lire attentivement le manuel d'utilisation et veiller à bien comprendre les directives.



L'outil est conforme aux directives européennes en vigueur.



Le produit ou l'emballage du produit n'est pas un déchet domestique. Il faut l'envoyer dans un centre de recyclage pour équipements électriques et électroniques.



Utiliser et garder le chargeur de batterie seulement dans un endroit clos.

**Remarque** : Les autres symboles et autocollants apposés sur le produit se rapportent aux exigences en matière de certification pour certaines zones commerciales.

## Proposition 65 de la Californie

**! ATTENTION!**

Ce produit contient ou émet un produit chimique qui, d'après l'État de Californie, peuvent causer le cancer, des malformations congénitales ou autre danger pour la reproduction.

## Service à la clientèle

Pour joindre le service à la clientèle, appelez le : 1-800-487-5951 ou visitez le site [www.usa.husqvarna.com](http://www.usa.husqvarna.com).

## Fabricant

Husqvarna Professional Products, Inc.  
9335 Harris Corners Pkwy, Charlotte, NC 28269,  
USA

## Produit endommagé

Nous ne sommes pas responsables des dommages causés à notre produit si :

- Le produit n'est pas réparé de façon adéquate.
- Le produit est réparé avec des pièces qui ne sont pas fournies ou homologuées par le fabricant.
- Le produit comprend un accessoire qui n'est pas fourni ou homologué par le fabricant.
- Le produit n'est pas réparé par un centre de service après-vente agréé ou par une autorité homologuée.

---

## Sécurité

---

### Définitions relatives à la sécurité

Les avertissements, recommandations et remarques soulignent des points du manuel qui revêtent une importance particulière.



**AVERTISSEMENT** : Indique la présence d'un risque de blessure ou de décès de l'utilisateur ou de personnes à proximité si les instructions du manuel ne sont pas suivies.



**MISE EN GARDE** : Indique la présence d'un risque de dommages au produit, à d'autres appareils ou à la zone adjacente si les instructions du manuel ne sont pas suivies.

**Remarque** : Utilisé pour donner des renseignements plus détaillés qui sont nécessaires dans une situation donnée.

## IMPORTANTES CONSIGNES DE SÉCURITÉ



**AVERTISSEMENT** : Lire toutes les instructions et consignes de sécurité. Le non-respect de ces instructions et consignes peut

provoquer une électrocution, un incendie et des blessures graves.

### Lire toutes les instructions



**AVERTISSEMENT** : Lors de l'utilisation d'appareils de jardinage électriques, toujours respecter les règles de sécurité de base afin de réduire les risques d'incendie, d'électrocution et de blessure, dont les règles suivantes :

### Consignes générales de sécurité relatives aux outils électriques



**AVERTISSEMENT** : Lire toutes les instructions et consignes de sécurité. Le non-respect de ces instructions et consignes peut provoquer une électrocution, un incendie et des blessures graves.

**Remarque** : **Conserver ces instructions et consignes pour consultation ultérieure.** Dans les avertissements, le terme « outil électrique » fait référence à votre appareil électrique branché sur le secteur ou alimenté par batterie (sans fil).

### Sécurité de l'aire de travail

- **Maintenir l'aire de travail propre et bien éclairée.** Les endroits sombres ou encombrés sont propices aux accidents.

- **Ne pas utiliser des outils électriques dans des atmosphères explosives, notamment en présence de liquides, gaz ou poussières inflammables.** Les outils électriques produisent des étincelles qui peuvent enflammer les poussières et les vapeurs.
- **Tenir les enfants et les spectateurs à distance lorsque l'outil électrique est en marche.** Un moment d'inattention pourrait vous en faire perdre le contrôle.

### Sécurité électrique

- **La fiche d'un outil électrique doit être adaptée à la prise. Ne jamais modifier la fiche. Ne jamais utiliser une fiche d'adaptation avec un outil électrique mis à la terre.** Les fiches non modifiées et les prises adaptées à la fiche permettent de réduire les risques d'électrocution.
- **Éviter d'entrer en contact avec les surfaces mises à la terre (tuyaux, radiateurs, cuisinières, réfrigérateurs, etc.).** Le risque d'électrocution est plus important si le corps de l'opérateur est mis à terre.
- **Ne pas exposer les outils électriques à la pluie ou à l'humidité.** L'infiltration d'eau dans un outil électrique augmente le risque d'électrocution.
- **Toujours manipuler le cordon avec soin. Ne jamais utiliser le cordon pour porter, tirer ou débrancher l'outil électrique. Tenir le cordon à l'écart de la chaleur, de l'huile, des bords tranchants et des pièces mobiles.** Les cordons endommagés ou emmêlés augmentent le risque d'électrocution.
- **Pour le travail à l'extérieur, utiliser une rallonge adaptée à l'usage extérieur.** L'utilisation d'une telle rallonge réduit le risque d'électrocution.
- **Si l'utilisation de l'outil électrique dans un endroit humide ne peut être évitée, utiliser une source d'alimentation protégée par disjoncteur de fuite à la terre.** Les disjoncteurs de fuite à la terre réduisent le risque d'électrocution.

### Sécurité personnelle

- **Lors de l'utilisation d'un outil électrique, toujours demeurer attentif et faire preuve de bon sens. Ne pas utiliser l'outil électrique si vous êtes fatigué ou sous l'emprise de drogues, de l'alcool ou de médicaments.** Tout moment d'inattention pendant l'utilisation

d'un outil électrique peut causer de graves blessures.

- **Utiliser de l'équipement de protection personnelle. Toujours porter des lunettes de protection.** L'équipement de protection (masque antipoussière, chaussures de sécurité antidérapantes, dispositif de protection pour les oreilles, etc.) utilisé selon les conditions présentes réduit les risques de blessure.
- **Prévenir les démarrages accidentels. Vérifier que l'interrupteur est à la position d'arrêt avant de brancher l'outil dans la prise ou le bloc d'alimentation, de le saisir ou de le transporter.** Le transport des outils électriques en maintenant le doigt sur l'interrupteur d'alimentation et le branchement d'outils alors que l'interrupteur est à la position de marche expose à des accidents.
- **Retirer toute clé ou clavette de réglage avant de mettre l'outil sous tension.** Une clé ou une clavette reliée à une pièce mobile de l'outil électrique peut causer une blessure.
- **Ne pas trop se pencher vers l'avant. Toujours se tenir bien campé et en équilibre.** Cela permet de mieux contrôler l'outil électrique lors d'un imprévu.
- **S'habiller de façon appropriée. Ne jamais porter des vêtements amples ou des bijoux. Garder les cheveux, les vêtements et les gants loin des pièces mobiles.** Les vêtements amples, bijoux et cheveux longs peuvent se prendre dans les pièces en mouvement.
- **Si des dispositifs sont fournis pour raccorder des systèmes de collecte et d'extraction de la poussière, s'assurer que ceux-ci sont utilisés et correctement branchés.** L'utilisation de dépoussiéreurs peut réduire les risques associés à la poussière.
- **Ne pas laisser la parfaite connaissance de l'outil acquise en raison de l'utilisation fréquente de ce dernier engendrer la complaisance et le non-respect des principes de sécurité relatifs à l'outil.** Une négligence peut provoquer de graves blessures en une fraction de seconde.
- Les vibrations produites pendant l'utilisation de l'outil peuvent différer de la valeur totale déclarée, selon la manière dont l'outil est utilisé. L'utilisateur doit déterminer les mesures de sécurité qui sont nécessaires à sa protection sur la base d'une estimation de son exposition dans les conditions d'utilisation

réelles (en tenant compte de chaque phase du cycle opératoire, soit lorsque l'outil est éteint, lorsqu'il est utilisé activement et lorsqu'il fonctionne au ralenti).

### Utilisation et entretien des outils électriques

- **Ne pas forcer sur l'outil électrique. Utiliser l'outil électrique qui convient au travail à effectuer.** De cette façon, le résultat sera meilleur et le travail sera effectué de façon plus sécuritaire et au régime pour lequel l'outil électrique a été conçu.
- **Ne pas utiliser l'outil électrique si l'interrupteur ne permet pas la mise sous tension et l'arrêt de l'outil.** Tout outil électrique dont l'interrupteur est défectueux représente un danger et doit être réparé.
- **Débrancher la fiche de la source d'alimentation et/ou retirer le bloc de batteries, s'il peut être retiré, de l'outil électrique avant d'apporter des ajustements, de changer les accessoires ou de ranger l'outil électrique.** Ces mesures de sécurité réduisent le risque de mise sous tension accidentelle.
- **Ranger les outils électriques hors de la portée des enfants et ne pas laisser des personnes qui ne connaissent pas l'outil ou les présentes consignes utiliser celui-ci.** Les outils électriques représentent un danger lorsqu'ils sont entre les mains d'utilisateurs non formés.
- **Entretien des outils électriques et les accessoires. Vérifier l'outil à la recherche de pièces brisées, de mauvais alignement ou de blocage des pièces mobiles et de toute autre situation pouvant nuire au bon fonctionnement de l'outil. Si l'outil est endommagé, il faut le réparer avant de l'utiliser.** De nombreux accidents sont causés par des outils mal entretenus.
- **Maintenir les outils tranchants aiguisés et propres.** Les outils tranchants correctement entretenus dont les bords de coupe sont bien affûtés sont moins susceptibles de se coincer et plus faciles à contrôler.
- **Utiliser l'outil électrique, les accessoires, les forets, etc., conformément aux présentes instructions et en tenant compte des conditions de travail et de la tâche à réaliser.** L'utilisation de l'outil électrique pour des opérations autres que celles pour lesquelles il est prévu peut entraîner des dangers.

- **Garder les poignées et les surfaces de préhension sèches, propres et exemptes d'huile et de graisse.** Les poignées et les surfaces de préhension glissantes ne permettent pas de manipuler l'outil de manière sécuritaire, ni d'en conserver le contrôle lorsqu'une situation inattendue se présente.

### Utilisation et entretien des outils électriques à batteries

- **Ne recharger qu'avec le chargeur indiqué par le fabricant.** Un chargeur convenant à un type de bloc de batteries particulier peut entraîner un risque d'incendie s'il est utilisé avec un autre bloc de batteries.
- **N'utiliser des outils électriques qu'avec les blocs de batteries spécifiquement indiqués.** L'utilisation d'autres groupes de batteries peut entraîner un risque de blessure et d'incendie.
- **Lorsqu'on n'utilise pas le bloc de batteries, le tenir à l'écart d'objets métalliques, tels que les trombones, pièces de monnaie, clés, clous, vis ou autres petits objets en métal, qui peuvent établir une connexion entre les bornes.** La mise en court-circuit des bornes de la batterie peut provoquer des brûlures ou un incendie.
- **Une utilisation abusive peut laisser s'échapper du liquide de la batterie; éviter tout contact. En cas de contact accidentel, rincer abondamment à l'eau. Si du liquide entre en contact avec les yeux, consulter en outre un médecin immédiatement.** Le liquide échappé de la batterie peut provoquer des irritations ou des brûlures.
- **Ne pas utiliser un bloc de batteries ou un outil défectueux ou modifié.** Les batteries endommagées ou modifier peuvent se comporter de manière inattendue et provoquer un incendie, une explosion ou des blessures potentielles.
- **Ne pas exposer un bloc de batteries ou l'outil au feu ou à une température excessive.** Une exposition au feu ou à une température supérieure à 130 °C (265 °F) peut provoquer une explosion.
- **Suivre toutes les instructions de charge et ne pas charger le bloc de batteries ou l'outil en dehors de la plage de température spécifiée dans les instructions.** Une charge inappropriée ou à des températures en dehors de la plage

spécifiée peut endommager la batterie et augmenter le risque d'incendie.

## Service

- **Faire entretenir votre outil électrique par un technicien qualifié et utiliser uniquement des pièces de rechange identiques aux pièces d'origine.** L'entretien adéquat de l'outil permet une utilisation plus sécuritaire.
- **Ne jamais tenter de réparer un bloc de batteries endommagé.** La réparation des blocs de batteries ne devrait être effectuée que par le fabricant ou les fournisseurs de service autorisés.

## Avertissements de sécurité relatifs au taille-haie – sécurité personnelle

- Utiliser le taille-haie avec les deux mains. Le fait d'utiliser le taille-haie à l'aide d'une seule main peut entraîner une perte de contrôle et de graves blessures personnelles.
- **Tenir les lames éloignées de toute partie du corps. Ne pas retirer de matériel coupé ni tenir le matériel à couper quand les lames tournent. S'assurer que l'interrupteur est en position d'arrêt avant de dégager du matériel coincé. Les lames continuent de tourner après la mise hors tension de l'outil.** Tout moment d'inattention pendant l'utilisation du taille-haie peut causer de graves blessures.
- **Transporter le taille-haie par la poignée avec la lame de coupe à l'arrêt.** Manipuler le taille-haie avec soin permet d'éviter les risques de blessures causées par les lames de coupe.
- **Toujours s'assurer que le couvre-lame est installé pour le transport ou le remisage.** Manipuler le taille-haie avec soin permet de réduire le risque de blessures causées par les lames.
- **Lors du dégagement de matières coincées ou de l'entretien de l'unité, s'assurer que tous les interrupteurs d'alimentation sont éteints et que le dispositif de verrouillage est en position verrouillée.** L'actionnement accidentel du taille-haie lors du dégagement de matières coincées ou de l'entretien de l'outil peut entraîner des blessures très graves.
- **Tenir l'outil électrique uniquement par les endroits isolés prévus pour la prise de l'outil, car la lame pourrait entrer en contact avec un câble dissimulé ou avec le cordon d'alimentation de l'outil.** Si les lames entrent en contact avec un câble sous tension,

les parties métalliques non isolées de l'outil pourraient agir comme conducteur et électrocuter l'utilisateur.

- **Maintenir tous les câbles et cordons d'alimentation à l'écart de la zone de coupe.** Les broussailles et buissons pourraient dissimuler des câbles ou cordons d'alimentation qui pourraient alors être accidentellement sectionnés par la lame.
- **Ne pas utiliser le taille-haie lorsque les conditions météorologiques sont mauvaises, en particulier s'il y a risque d'éclairs.** Cela réduit le risque d'être foudroyé.
- **DANGER – Tenir les mains éloignées de la lame.** Tout contact avec la lame peut occasionner des blessures corporelles graves.

## Consignes générales de sécurité



**AVERTISSEMENT :** Lire les messages d'avertissement qui suivent avant d'utiliser le produit.

- Retirer la batterie afin d'éviter le démarrage accidentel de l'appareil.
- Ce produit est un outil dangereux s'il est utilisé de façon insouciant ou inappropriée. Cet outil peut causer des blessures graves, ou même mortelles, à l'utilisateur et à d'autres personnes.
- Ne pas utiliser l'outil si des modifications contraires à ses caractéristiques initiales y ont été apportées. Ne pas modifier une partie de l'outil sans l'approbation du fabricant. Utiliser seulement des pièces homologuées par le fabricant. Des blessures graves ou mortelles peuvent résulter d'un entretien non adéquat.
- Vérifier le produit avant son utilisation. Se reporter à *Avant de démarrer le produit à la page 51*. Ne pas utiliser le produit s'il est endommagé ou ne fonctionne pas correctement. Effectuer les vérifications de sécurité, de maintenance et d'entretien conformément aux instructions fournies dans ce manuel.
- Les enfants doivent être supervisés afin de s'assurer qu'ils ne jouent pas avec l'outil. Ne jamais laisser des enfants ni des personnes n'ayant pas été formées à l'utilisation de l'appareil ou de sa batterie utiliser ou entretenir l'appareil. La réglementation locale peut fixer l'âge de l'utilisateur.

- Garder le produit dans un endroit verrouillé hors de portée des enfants et des personnes non autorisées.
- Entreposer le produit hors de portée des enfants.
- Votre garantie ne couvre pas les dommages ou la responsabilité causés par l'utilisation d'accessoires ou de pièces de rechange non autorisés.
- La conception du produit ne peut en aucun cas être modifiée sans l'autorisation du fabricant. Toujours utiliser des accessoires d'origine. Les modifications et les accessoires non autorisés peuvent entraîner des blessures graves ou la mort de l'opérateur et d'autres personnes.

---

**Remarque :** Des lois nationales ou locales peuvent réglementer l'utilisation. Respecter les réglementations en vigueur.

---

## Instructions de sécurité pour l'utilisation

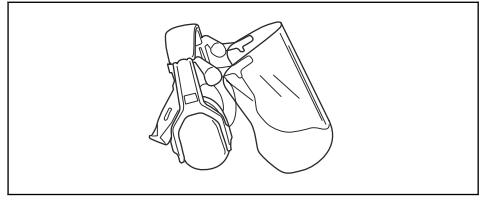


**AVERTISSEMENT :** Lire les messages d'avertissement qui suivent avant d'utiliser le produit.

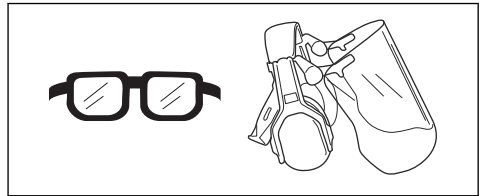
---

- Il est recommandé de consulter un expert en cas de doute. Communiquer avec votre concessionnaire ou votre atelier d'entretien. Éviter toutes les utilisations qui vous semblent difficiles.
- Ne jamais utiliser l'appareil si vous êtes fatigué ou sous l'emprise de drogues, de l'alcool, de médicaments ou de toute substance qui pourrait affecter la vision, l'attention, la coordination des gestes ou le jugement.
- Le fait de travailler par mauvais temps est éprouvant et augmente les risques. En raison des risques supplémentaires, il n'est pas recommandé d'utiliser la machine par très mauvais temps, par exemple en cas de brouillard épais, pluie diluvienne, vent violent, froid intense, risque d'éclair, etc.
- Des lames en mauvais état augmentent le risque d'accident.
- Ne pas laisser des enfants utiliser l'appareil ou se tenir à proximité de celui-ci. L'appareil étant facile à démarrer, les enfants peuvent le faire démarrer s'ils sont laissés sans surveillance. Cela peut entraîner un risque de blessure grave. Débrancher la batterie lorsque l'appareil n'est pas sous surveillance.
- S'assurer qu'aucune personne ni aucun animal ne s'approche à moins de 15 mètres pendant le travail. Lorsque plusieurs utilisateurs travaillent dans la même zone, la distance de sécurité doit être d'au moins 15 mètres. Le non-respect de cette directive peut entraîner de graves blessures. Arrêter l'appareil immédiatement si une personne s'approche. Ne jamais entamer un mouvement de balancement avec l'appareil sans d'abord jeter un coup d'œil derrière pour s'assurer que personne ne se trouve dans la zone de sécurité.
- S'assurer qu'aucune personne ni aucun animal ou objet ne gêne le contrôle de l'appareil ou n'entre en contact avec l'outil de coupe ou des objets projetés par l'outil de coupe. Ne pas utiliser l'appareil s'il est impossible d'appeler de l'aide en cas d'accident.
- Toujours inspecter l'aire de travail. Retirer tous les objets mobiles tels que les pierres, le verre cassé, les clous, les fils de fer, les cordes, etc. qui pourraient être projetés ou s'enrouler autour de l'outil de coupe.
- S'assurer qu'il est possible de se déplacer et de se tenir debout en toute sécurité. Repérer les obstacles éventuels (racines, roches, branches, fossés, etc.) en cas de déplacement imprévu. Faire très attention lors du travail sur une pente.
- Se tenir bien campé et en parfait équilibre. Ne pas trop se pencher vers l'avant.
- Mettre l'appareil hors tension avant de passer à une autre zone. Installer le dispositif de protection pour le transport lorsque l'outil n'est pas utilisé.
- Ne jamais déposer l'appareil sans le mettre hors tension et retirer la batterie. Ne pas laisser l'appareil sans surveillance quand il est sous tension.
- S'assurer qu'aucun vêtement ni aucune partie du corps n'entre en contact avec l'outil de coupe lorsque l'appareil est sous tension.
- Si un objet se bloque dans les lames alors que l'outil est utilisé, arrêter et mettre l'outil hors tension. Vérifier que l'outil de coupe s'est immobilisé. Retirer la batterie avant de nettoyer, inspecter ou réparer l'outil ou les lames.

- Lors de la mise hors tension de l'appareil, garder les mains et les pieds à l'écart de l'outil de coupe jusqu'à l'immobilisation de celui-ci.
- Prendre garde aux éclats de bois qui peuvent être projetés lors de la coupe. Ne pas couper trop près du sol; des pierres ou d'autres objets pourraient d'être projetés.
- Faire preuve de prudence à l'égard des projections d'objets. Toujours porter des lunettes de protection homologuées. Ne jamais se pencher au-dessus du dispositif de protection de l'outil de coupe. Des pierres, des débris, etc. peuvent être projetés dans vos yeux, ce qui peut causer la cécité ou des blessures graves.
- Rester attentif aux appels ou cris d'avertissement lors de l'utilisation des protecteurs d'oreilles. Toujours retirer le dispositif de protection pour les oreilles dès que l'appareil s'arrête.
- Ne jamais travailler debout sur une échelle, un tabouret, ou dans une autre position élevée n'offrant pas une sécurité maximale.
- Tenir l'outil des deux mains. Ne pas faire de coupe au-dessus de la hauteur des épaules.



- Utiliser un dispositif de protection homologué pour les yeux. Porter également des lunettes de protection homologuées en cas d'utilisation d'une visière. Les lunettes de protection homologuées doivent être conformes à la norme ANSI Z87.1 aux États-Unis ou à la norme EN 166 dans les pays de l'Union européenne.



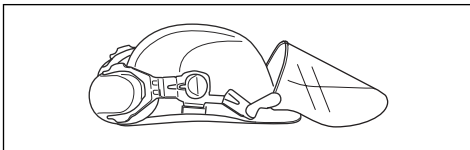
- Utiliser des gants au besoin, par exemple lors de la fixation, de l'examen ou du nettoyage de l'outil de coupe.

## Équipement de protection personnelle

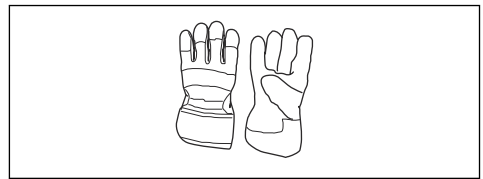


**AVERTISSEMENT** : Lire les messages d'avertissement qui suivent avant d'utiliser le produit.

- Toujours utiliser un équipement de protection personnelle homologué lors de l'utilisation de l'appareil. Cet équipement de protection personnelle n'élimine pas complètement les risques de blessures, mais il peut en réduire la gravité en cas d'accident. Laisser le concessionnaire aider à sélectionner l'équipement adéquat.
- Porter un casque de protection en cas de risque de chute d'objets.



- Porter des protecteurs d'oreille homologués qui assurent une réduction adéquate du bruit. L'exposition prolongée au bruit peut causer des lésions auditives permanentes.



- Porter des bottes ou chaussures antidérapantes robustes.



- Utiliser des vêtements faits de tissus résistants. Toujours utiliser des pantalons longs et lourds et des manches longues. Ne pas porter des vêtements amples qui peuvent se prendre dans les broussailles et les branches. Ne pas porter des bijoux, des pantalons courts, des sandales et ne pas

marcher pieds nus. Garder les cheveux au-dessus des épaules.

- Garder une trousse de premiers soins à portée de main.



### Dispositifs de sécurité sur l'outil



**AVERTISSEMENT** : Lire les messages d'avertissement qui suivent avant d'utiliser l'appareil.

Cette section décrit l'équipement de sécurité du produit, son but et la façon d'en effectuer les inspections et l'entretien afin de s'assurer qu'il fonctionne correctement. Consulter les instructions sous la rubrique *Présentation de l'appareil à la page 40* pour trouver où ces pièces se trouvent sur votre produit.

La durée de vie du produit peut être réduite et le risque d'accident peut augmenter si l'entretien de la machine n'est pas effectué correctement et si l'entretien ou les réparations ne sont pas effectués de façon professionnelle. Pour obtenir de plus amples informations, veuillez communiquer avec votre concessionnaire le plus proche.



**AVERTISSEMENT** : Ne jamais utiliser un produit dont les composants de sécurité sont endommagés. L'équipement de sécurité du produit doit être inspecté et entretenu selon les directives de la présente section. Si une inspection de la machine détecte une panne, communiquer avec un atelier spécialisé pour réparation.

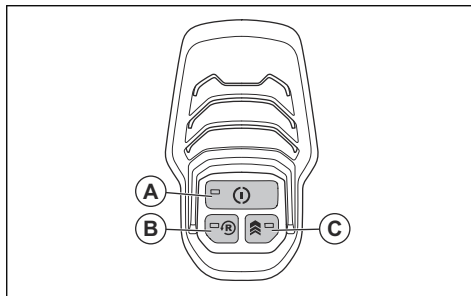


**MISE EN GARDE** : Tous les travaux de réparation nécessitent une formation spéciale. Ceci concerne particulièrement l'équipement de sécurité de la machine. Si les contrôles suivants ne donnent pas un résultat positif, vous devez communiquer avec un atelier spécialisé. L'achat de l'un de nos produits offre à l'acheteur la garantie d'un service et de réparations

qualifiés. Si le détaillant qui vous a vendu la machine n'est pas un centre de service agréé, demandez-lui l'adresse de l'atelier spécialisé le plus proche.

### Vérification du clavier

1. Maintenir enfoncé le bouton de marche/arrêt (A). Quand le produit est sous tension, le témoin à DEL s'allume.



2. Appuyer sur le bouton de marche arrière (B) et le maintenir enfoncé. Les lames tournent dans la direction opposée lorsque le voyant DEL est allumé.
3. Appuyer sur le bouton de suralimentation (C) et le maintenir enfoncé. Quand le témoin à DEL est allumé, la vitesse de la lame augmente.

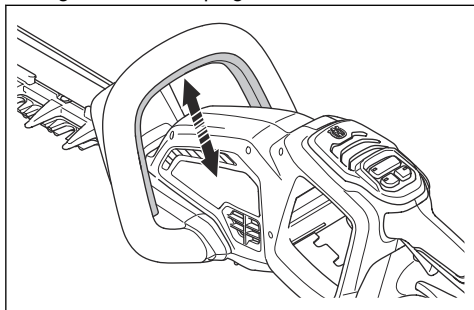
### Vérification du verrouillage de la gâchette et des gâchettes de puissance

Le mécanisme de verrouillage de la gâchette empêche tout fonctionnement accidentel. Quand la poignée est relâchée, la gâchette de la poignée arrière et le verrouillage de la gâchette de la poignée avant retournent à leur position initiale.

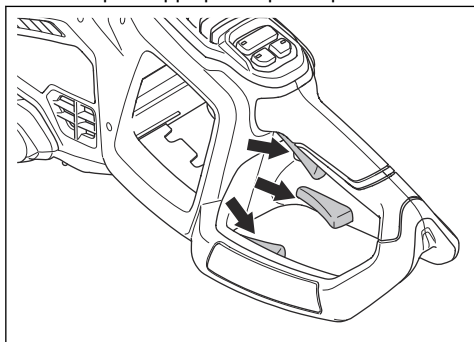
1. Démarrer le produit.



- Appuyer sur le mécanisme de verrouillage de la gâchette sur la poignée avant.



- Appuyez sur 1 sur les gâchettes de la poignée arrière pour appliquer la pleine puissance.



- Relâcher la gâchette de la poignée arrière pour vérifier qu'elle revient librement. La lame doit s'arrêter immédiatement.
- Effectuer les étapes 3 et 4 pour chacune des autres gâchettes.
- Éteindre le produit.
- Effectuer les étapes 1 et 2.
- Relâcher le mécanisme de verrouillage de la gâchette sur la poignée avant. Vérifier que le mécanisme de verrouillage de la gâchette revient à sa position initiale. La lame doit s'arrêter immédiatement.

### Vérification du protège-main

Le protège-main empêche que la main entre accidentellement en contact avec les lames.

- Mettre l'outil hors tension.
- Retirer la batterie.
- Vérifier que le protège-main est bien fixé.
- Inspecter le protège-main pour détecter d'éventuels dommages

### Pour vérifier les lames

- Éteindre le produit.
- Retirer la batterie.
- Enfiler des gants.
- S'assurer que les lames ne sont ni endommagées ni pliées. Remplacer les lames si elles sont tordues ou endommagées.

### Sécurité en matière de batteries



**AVERTISSEMENT** : Lire les messages d'avertissement qui suivent avant d'utiliser le produit.

- Utiliser seulement une batterie Husqvarna rechargeable approuvée. Se reporter à *Batteries homologuées pour le produit à la page 58*. La batterie est un logiciel crypté.
- Utiliser la batterie Husqvarna qui est rechargeable en tant que source d'alimentation pour les produits Husqvarna connexes seulement. Pour éviter les blessures, ne pas utiliser la batterie en tant que source d'alimentation pour d'autres appareils.
- Risque de choc électrique. Ne pas raccorder les bornes de la batterie à des clés, des pièces de monnaie, des vis ou tout autre élément métallique. Cela peut provoquer un court-circuit de la batterie.
- Ne pas utiliser des batteries non rechargeables.
- Ne pas placer d'objet dans les fentes de ventilation de la batterie.
- Maintenir la batterie à l'écart de la lumière du soleil, de la chaleur et des flammes nues. La batterie peut causer des brûlures et/ou des brûlures chimiques.
- Garder la batterie à l'écart des micro-ondes et des pressions élevées.
- Ne pas essayer de démonter ou de briser la batterie.
- S'il y a une fuite au niveau de la batterie, ne pas laisser le liquide toucher la peau ou les yeux. Si on touche le liquide, nettoyer la zone avec une grande quantité d'eau et de savon et consulter un médecin. Si le liquide entre en contact avec les yeux, ne pas les frotter; mais les rincer avec de l'eau pendant au moins 15 minutes et consulter un médecin.

- Utiliser la batterie à des températures comprises entre 14°F (-10°C) et 104°F (40°C).
- Ne pas nettoyer la batterie ou le chargeur de batterie avec de l'eau. Se reporter à *Pour nettoyer le produit, la batterie et le chargeur de batterie. à la page 56.*
- Ne pas utiliser une batterie endommagée.
- Entreposer les batteries à l'écart des objets métalliques tels que les clous, les vis ou les bijoux.
- Maintenir la batterie à l'écart des enfants.

## Sécurité du chargeur de batteries



**AVERTISSEMENT** : Lire les messages d'avertissement qui suivent avant d'utiliser le produit.

- Risque de décharge électrique et de court-circuit si les consignes de sécurité ne sont pas suivies.
- Utiliser une prise secteur mise à la terre approuvée qui n'est pas endommagée.
- Ne pas utiliser d'autres chargeurs de batterie que ceux fournis pour votre produit. Utiliser uniquement des chargeurs Husqvarna QC lors du chargement des batteries de rechange Husqvarna BLi.
- Ne pas essayer de démonter le chargeur de batterie.
- Ne pas utiliser un chargeur de batterie endommagé ou qui ne fonctionne pas correctement.
- Ne pas soulever le chargeur de batterie au moyen du cordon d'alimentation. Pour débrancher le chargeur de batteries de la prise murale, tirer la fiche. Ne pas tirer le cordon d'alimentation.
- Tenir les câbles et les rallonges à l'abri de l'eau, de l'huile et des arêtes coupantes. S'assurer que le câble n'est pas coincé entre les portes, les barrières ou quoi que ce soit de semblable.
- Ne pas utiliser le chargeur de batterie à proximité de matériaux inflammables ou de matériaux qui peuvent engendrer une corrosion. S'assurer que le chargeur de batterie n'est pas couvert. Débrancher la prise du chargeur de batterie en cas de fumée ou d'incendie.
- Recharger la batterie seulement dans un endroit clos avec une bonne ventilation et à l'écart de la lumière. Ne pas charger la batterie à l'extérieur. Ne pas charger la batterie dans des conditions humides.
- Utiliser le chargeur de batterie seulement lorsque la température est comprise entre 5 °C (41 °F) et 40 °C (104 °F). Utiliser le chargeur dans un environnement bien ventilé, sec et exempt de poussières.
- Ne pas placer d'objet dans les fentes de refroidissement du chargeur de batterie.
- Ne pas raccorder les bornes du chargeur de batterie aux objets métalliques, car cela peut court-circuiter le chargeur de batterie.
- Utiliser des prises murales approuvées qui ne sont pas endommagées.
- Utiliser uniquement des rallonges à trois fils destinées à un usage extérieur dotées de fiches de mise à la terre à trois broches et de prises de mise à la terre adaptées à la fiche de l'appareil.
- Vérifier régulièrement que le cordon d'alimentation n'est pas endommagé. Débrancher immédiatement le chargeur de batterie si le cordon d'alimentation est endommagé.
- Remplacer le cordon d'alimentation s'il est endommagé.
- Maintenir le chargeur de batterie à l'écart des enfants.
- Ne pas utiliser le chargeur de batterie en cas de risque de foudre.
- Ne pas manipuler le chargeur de batterie avec les mains humides.
- Cette machine peut être utilisée par des enfants âgés de 8 ans et plus, des personnes à capacités physique, mentale ou sensorielle réduites, ou des personnes avec un manque d'expérience et de connaissances s'ils sont supervisés ou s'ils ont reçu des instructions concernant l'utilisation de l'appareil de manière sécuritaire et s'ils comprennent les risques impliqués. Les enfants ne doivent pas jouer avec l'appareil. Le nettoyage et l'entretien ne doivent pas être effectués par un enfant sans supervision.

## Consignes de sécurité pour la maintenance



**AVERTISSEMENT** : Lire les messages d'avertissement qui suivent

avant de procéder à l'entretien du produit.

- Retirer la batterie avant d'effectuer l'entretien, de procéder à d'autres contrôles ou d'assembler le produit.
- L'opérateur ne doit effectuer que les travaux de réparation et d'entretien décrits dans ce manuel d'utilisation. Se rendre dans le centre de service agréé pour les travaux de réparation ou d'entretien plus importants.
- Ne pas nettoyer la batterie ou le chargeur de batterie avec de l'eau. Les détergents puissants peuvent endommager le plastique.
- En absence d'entretien, cela réduit la durée de vie du produit et augmente le risque d'accidents.

- Une formation spécifique est nécessaire pour tous les travaux d'entretien et de réparation, en particulier pour les dispositifs de sécurité sur le produit. Si toutes les vérifications indiquées dans ce manuel d'utilisation ne sont pas homologuées une fois l'entretien effectué, se rendre dans le centre de service La disponibilité des réparations et des entretiens effectués de façon professionnelle est garantie pour votre produit.
- Utiliser des pièces de rechange d'origine.

## CONSERVER CES INSTRUCTIONS

### Fonctionnement

#### Introduction



**AVERTISSEMENT** : Lire et comprendre le chapitre sur la sécurité avant d'utiliser le produit.

comprises entre 41°F (5°C) et 104°F (40°C).

#### Avant de démarrer le produit

1. Vérifier la zone de travail. Retirer les objets susceptibles d'être projetés.
2. Vérifier l'outil de coupe. S'assurer que les couteaux sont très tranchants, et qu'ils sont exempts de fissures et de dommages.
3. S'assurer que le produit fonctionne correctement. Vérifier le serrage de l'ensemble des écrous et des vis.
4. S'assurer que la poignée et les dispositifs de sécurité sont en bon état et sont correctement fixés. Ne pas utiliser un produit avec des pièces manquantes ou dont les spécifications initiales ont été modifiées. Utiliser des gants de protection lorsque c'est nécessaire.
5. S'assurer que les volets ne sont pas endommagés et sont correctement fixés, avant d'utiliser le produit.

1. Brancher le chargeur de batterie à la tension et la fréquence indiquées sur la plaque signalétique.
2. Placer la fiche dans une prise secteur mise à la terre. Le voyant à DEL sur le chargeur de batterie clignote en rouge une fois et en vert une fois.

#### Pour installer le chargeur de batterie sur le mur



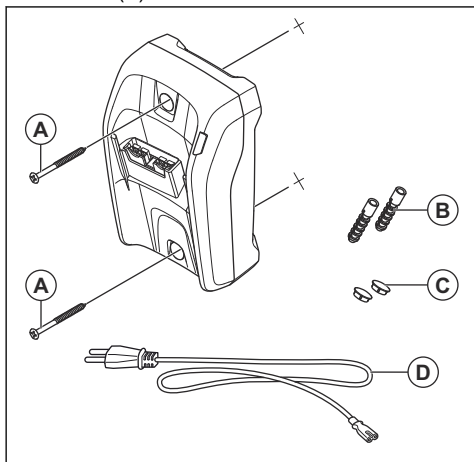
**MISE EN GARDE** : Ne pas utiliser de tournevis électrique pour installer le chargeur de batterie sur le mur. Un tournevis électrique peut endommager le chargeur de batterie.

#### Pour brancher le chargeur de batterie



**AVERTISSEMENT** : Utiliser uniquement le chargeur de batterie à des températures ambiantes

1. Installer le chargeur de batterie sur le mur à l'aide des deux vis (A). Utiliser des fiches murales (B) si nécessaire.



2. Installer les deux bouchons à trou de vis (C).
3. Brancher le cordon d'alimentation (D) au chargeur de batterie et à une prise secteur.

### Pour charger la batterie



**MISE EN GARDE :** S'assurer que la batterie, le chargeur de batterie et les bornes de la batterie sont propres et secs. Ne pas mettre la batterie dans le chargeur de batterie si cette première est sale ou humide.

1. Brancher le chargeur de batterie sur une prise secteur. Le voyant à DEL de charge clignote en rouge 1 fois et en vert 1 fois.



**MISE EN GARDE :** Brancher uniquement le chargeur de batterie sur une prise secteur à la tension et la fréquence indiquées sur la plaque signalétique.

2. Connecter la batterie au chargeur de batterie. La DEL verte s'allume.
3. Retirer la batterie du chargeur lorsqu'elle est complètement chargée. Appuyer sur le bouton indicateur de la batterie pour connaître l'état de la batterie. Lorsque toutes les DEL de la batterie s'allument, la batterie est complètement chargée.

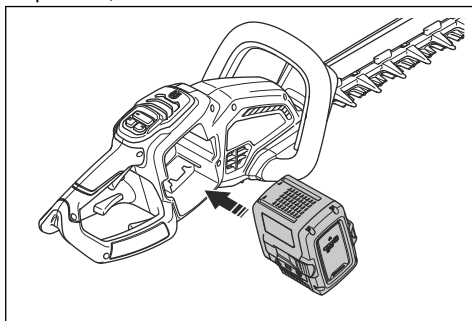
4. Tirer la fiche d'alimentation pour débrancher le chargeur de batterie de la prise secteur. Ne pas tirer le cordon d'alimentation.

### Branchement de la batterie



**AVERTISSEMENT :** Utiliser uniquement des batteries d'origine Husqvarna avec ce produit.

1. Charger complètement la batterie.
2. Pousser la batterie dans le porte-batterie de l'appareil. Quand la batterie se bloque en position, un déclic se fait entendre.



**MISE EN GARDE :** Si la batterie ne s'insère pas facilement dans le porte-batterie, elle n'est pas bien installée. Cela pourrait endommager le produit.

### Installation du déflecteur



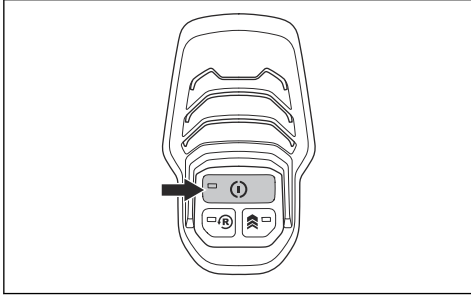
**AVERTISSEMENT :** Ne pas utiliser le déflecteur comme une poignée. Ne pas tenir ni déplacer la taille-haie avec le déflecteur.

Installer le déflecteur pour faciliter le retrait du matériau coupé.

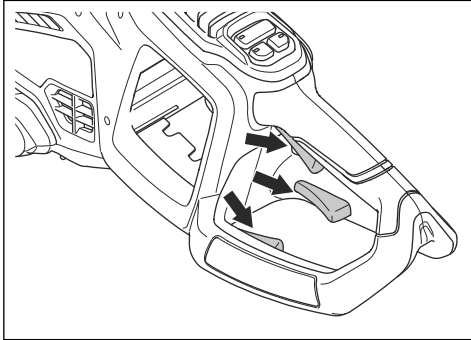
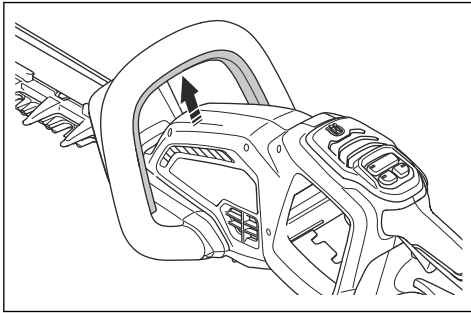
1. Éteindre le produit.
2. Retirer la batterie.
3. Enfiler des gants.
4. Aligner le déflecteur sur les rainures du guide-chaîne.
5. Pousser le déflecteur complètement sur le guide-chaîne.
6. Installer le dispositif de retenue du déflecteur à l'extrémité du guide-chaîne.

## Mise sous tension de l'appareil

1. Appuyer sur le bouton marche/arrêt et le maintenir enfoncé jusqu'à ce que la DEL verte s'allume.



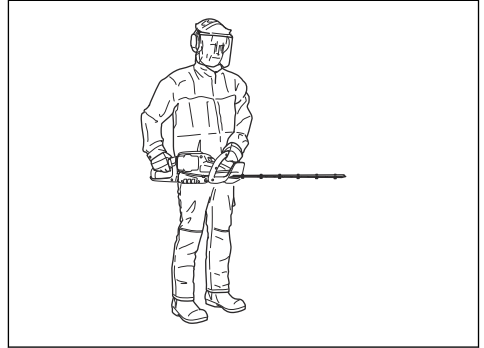
2. Appuyer sur le mécanisme de verrouillage de la gâchette et sur l'une des gâchettes pour une position de fonctionnement standard. Pour utiliser la position de portée étendue, appuyer sur deux des gâchettes.



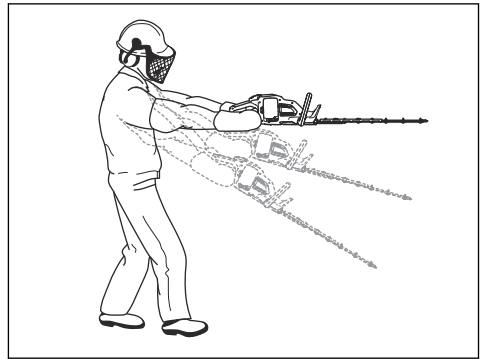
**Remarque :** L'utilisation du mécanisme de verrouillage de la gâchette n'est nécessaire que si vous démarrez le produit en position de fonctionnement standard.

## Utilisation du produit

- Tenir l'outil des deux mains. Lors de l'utilisation du produit en position standard, tenir le produit près du corps pour une position de travail stable.



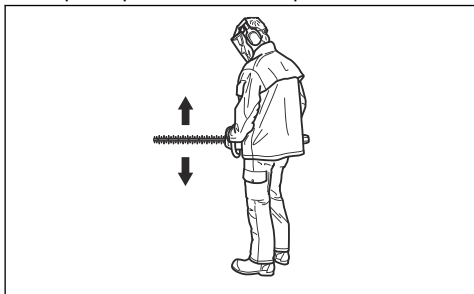
- Lors de l'utilisation du produit en position de portée étendue, s'assurer d'avoir une position de travail stable.



### AVERTISSEMENT :

L'utilisation du produit en position de portée étendue peut engendrer de la fatigue.

- Démarrer à proximité du sol et déplacer le produit en même temps le long de la haie lorsqu'on coupe les côtés. S'assurer que le corps du produit ne touche pas la haie.

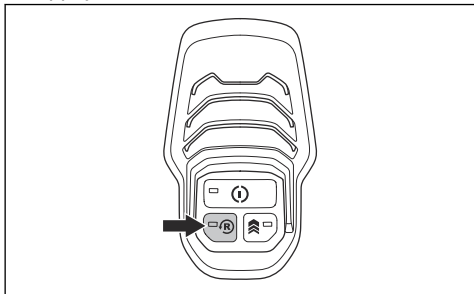


**AVERTISSEMENT :** S'assurer que la partie avant de l'équipement de coupe ne touche pas le sol.

- Utiliser les trois poignées arrière pour manipuler le produit à différents angles.
- Faire attention et utiliser le produit avec soin.

#### Pour dégager les matériaux des lames

1. Appuyer sur le bouton de marche arrière.

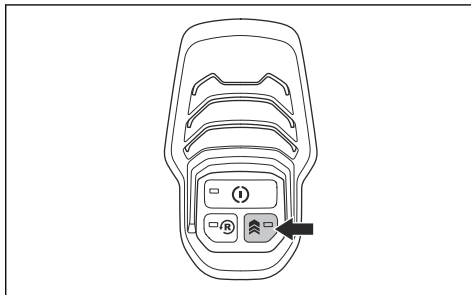


2. Appuyer sur deux gâchettes de puissance. La lame tourne momentanément dans la direction opposée.
3. Appuyer de nouveau sur les gâchettes. La lame tourne dans la direction habituelle.
4. Au besoin, recommencer les étapes 1 à 3.

#### Pour augmenter temporairement la vitesse de la lame

1. Démarrer le produit. Se reporter à *Mise sous tension de l'appareil* à la page 53.

2. Appuyer sur le bouton de suralimentation pour obtenir la vitesse maximale de la lame. Le témoin à DEL s'allume.



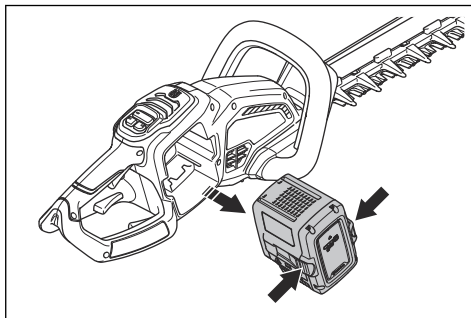
3. Relâcher le bouton de suralimentation pour revenir à la vitesse de lame initiale.

#### Fonction d'arrêt automatique

L'outil est équipé d'une fonction d'arrêt automatique qui l'éteint quand il n'est pas utilisé. La DEL verte de marche-arrêt s'éteint et le produit se met hors tension après 45 secondes.

#### Mise hors tension de l'appareil

1. Relâcher la gâchette ou son mécanisme de verrouillage.
2. Appuyer sur le bouton marche/arrêt jusqu'à ce que la DEL verte s'éteigne.
3. Appuyer sur les boutons de déverrouillage de la batterie et la retirer.



## Entretien

### Introduction



**AVERTISSEMENT** : Lire et comprendre le chapitre sur la sécurité avant de faire l'entretien de l'outil.

### Calendrier d'entretien

Voici les mesures d'entretien à effectuer sur l'outil.



**AVERTISSEMENT** : Retirer la batterie avant d'effectuer l'entretien de l'outil.

Entretien	Avant l'utilisation	Hebdomadaire	Mensuel
Nettoyer les pièces externes de l'outil.	X		
Vérifier que l'interrupteur de marche/arrêt n'est pas endommagé et qu'il fonctionne correctement.	X		
Vérifier que la gâchette et son mécanisme de verrouillage fonctionnent correctement et de façon sécuritaire.	X		
Vérifier que toutes les commandes fonctionnent et qu'elles ne sont pas endommagées.	X		
Vérifier que la lame de coupe et le protège-lame ne sont pas fissurés ou endommagés. Remplacer la lame de coupe ou le protège-lame s'ils sont fissurés ou s'ils ont reçu un choc.	X		
Remplacer la lame si elle est faussée ou endommagée.	X		
Vérifier que le protège-main n'est pas endommagé. Remplacer le protège-lame s'il est endommagé.	X		
Vérifier que les vis et les écrous sont bien serrés.	X		
Vérifier que la batterie n'est pas endommagée.	X		
Vérifier que la batterie est chargée.	X		
Vérifier que le chargeur de batterie n'est pas endommagé.	X		
Vérifier que les vis qui maintiennent les lames ensemble sont correctement serrées.		X	
Vérifier les points de connexion entre la batterie et l'appareil. Examiner également le point de connexion entre la batterie et le chargeur.			X

### Pour examiner la batterie et le chargeur de batterie

1. Examiner la batterie pour détecter des dommages éventuels, par exemple des fissures.

2. Examiner le chargeur de batterie pour détecter des dommages éventuels, par exemple des fissures.

- S'assurer que le cordon de raccordement du chargeur de batterie est intact et qu'il ne présente pas de fissure.

### Pour nettoyer le produit, la batterie et le chargeur de batterie.

- Nettoyer le produit à l'aide d'un chiffon sec après utilisation.
- Nettoyer la batterie et chargeur de batterie à l'aide d'un chiffon sec. Garder les chemins de guidage de la batterie propres.
- S'assurer que les bornes de la batterie et le chargeur de batterie sont propres avant de placer la batterie dans le chargeur de batterie ou sur le produit.

### Pour examiner la lame

- Nettoyer la lame avec un nettoyant anticorrosion avant et après l'utilisation du produit.
- Examiner les bords de la lame à la recherche de dommages et de déformation.
- Retirer les bavures sur la lame à l'aide d'une lime.
- Vérifier que les lames bougent librement.

### Pour nettoyer et lubrifier les lames

- Nettoyer les lames de tout matériau indésirable avant et après l'utilisation du produit.

- Lubrifier les lames avant une longue période de remise en service.

**Remarque :** Pour obtenir de plus amples renseignements sur les lubrifiants et les produits de nettoyage recommandés, communiquer avec votre centre de services.

### Pour lubrifier l'engrenage

Appliquer la graisse sur le carter d'engrenage, celui-ci doit avoir été démonté par un atelier d'entretien agréé.

- Utiliser de la graisse spéciale Husqvarna. Pour obtenir de plus amples renseignements sur la graisse recommandée, communiquer avec votre centre de services.
- Utiliser une petite quantité de graisse spéciale de haute qualité uniquement.



**MISE EN GARDE :** Ne pas remplir complètement le carter d'engrenage.

## Dépannage

### Batterie

Affichage à DEL	Anomalies potentielles	Action possible
Le témoin à DEL vert clignote.	Tension de batterie faible.	Charger la batterie.
La DEL d'erreur clignote.	Écart de température.	Utiliser la batterie dans une température comprise entre -10°C (14°F) et 40°C (104°F).
	Tension trop élevée.	Vérifier que la tension de secteur correspond à la tension indiquée sur la plaque signalétique du produit. Retirer la batterie du chargeur.



Affichage à DEL	Anomalies potentielles	Action possible
Le témoin d'erreur à DEL est allumé.	Différence trop grande entre les éléments (1 V).	Communiquer avec votre centre de services.

## Chargeur de batterie

Problème	Anomalies potentielles	Solution possible
La DEL rouge d'anomalie clignote	Écart de température.	Utiliser le chargeur de batterie dans une température comprise entre 5 °C (41 °F) et 40 °C (104 °F).
La DEL rouge d'anomalie s'allume.	Trop grande différence entre les éléments (1 V).	Communiquer avec votre centre de services.

---

## Transport, entreposage et mise au rebut

---

### Transport et entreposage

- Les batteries au lithium-ion fournies respectent les exigences de la loi sur les produits dangereux.
- Respecter l'exigence spéciale relative à l'emballage et aux étiquettes pour le transport commercial, y compris par des tiers et des transitaires.
- Communiquer avec une personne ayant une formation spéciale en matière de composés dangereux avant d'envoyer le produit. Respecter tous les règlements nationaux applicables.
- Utiliser du ruban adhésif sur des contacts ouverts lorsque vous emballez la batterie. Placer la batterie dans un emballage hermétique pour éviter tout mouvement.
- Déposer la batterie à des fins de remisage ou de transport.
- Placer la batterie et le chargeur de batterie dans un espace sec et exempt d'humidité et de gel.
- Ne pas maintenir la batterie dans une zone où l'électricité statique peut se développer. Ne pas entreposer la batterie dans une boîte métallique.
- Entreposer la batterie dans un endroit où la température est comprise entre 5 °C (41 °F) et 25 °C (77 °F) et à l'écart des rayons directs du soleil.
- Entreposer le chargeur de batterie dans un endroit où la température est comprise entre 5 °C (41 °F) et 45°C (113 °F) et à l'écart des rayons directs du soleil.
- Utiliser le chargeur de batterie seulement lorsque la température ambiante est comprise entre 5 °C (41 °F) et 40 °C (104 °F).
- Charger la batterie entre 30 % et 50 % avant de la remiser pour une longue période.
- Entreposer le chargeur de batterie dans un endroit clos et sec.
- Tenir la batterie à l'écart du chargeur de batterie pendant la période d'entreposage. Ne pas laisser des enfants et d'autres personnes non autorisées toucher l'équipement. Maintenir l'équipement dans un endroit qui peut être verrouillé.
- Nettoyer le produit et effectuer un entretien complet avant de l'entreposer dans le local de rangement pendant une longue période.
- Utiliser le fourreau de transport sur le produit afin d'éviter des blessures ou des dommages au produit pendant le transport et le remisage.
- Fixer le produit de façon sécuritaire pendant le transport.

## Mise au rebut de la batterie, du chargeur de batterie et de l'outil

Les symboles figurant sur l'outil ou son emballage indiquent qu'il ne s'agit pas d'une ordure ménagère. Recycler dans un centre de recyclage pour équipements électriques et

électroniques. De cette façon, vous ne nuirez pas à l'environnement.

Pour savoir comment recycler ce produit, communiquer avec les autorités locales, le service de ramassage des ordures ménagères ou votre concessionnaire.

---

## Caractéristiques techniques

---

### Caractéristiques techniques

	<b>320iHD60</b>
<b>Moteur</b>	
Type de moteur	BLDC
<b>Poids</b>	
Poids sans batterie, lb/kg	8,42/3,82
Poids avec batterie, lb/kg	11,07/5,02
<b>Barre de coupe</b>	
Type	Double tranchant
Longueur de lame, po/mm	24/609
Vitesse de lame, coupes/min	3000-3800

### Batteries homologuées pour le produit

Batterie	<b>BLi22</b>	<b>BLi30</b>	<b>40-B140</b>
Type	Lithium-ion	Lithium-ion	Lithium-ion
Capacité de la batterie, Ah	4,2	7,5	4,0
Tension nominale, V	36	36	36
Poids, lb/kg	2,9 /1,3	4,2/1,9	2,6/1,2

### Chargeurs de batteries approuvés

Chargeur de batterie	<b>QC250</b>	<b>40-C80</b>
Tension d'entrée, V	100 à 240	100 à 240
Fréquence, Hz	50-60	50-60

<b>Chargeur de batterie</b>	<b>QC250</b>	<b>40-C80</b>
Puissance, W	250	80



[www.husqvarna.com](http://www.husqvarna.com)

Original instructions  
Instrucciones originales  
Instructions d'origine  
1142941-49



2023-08-28