

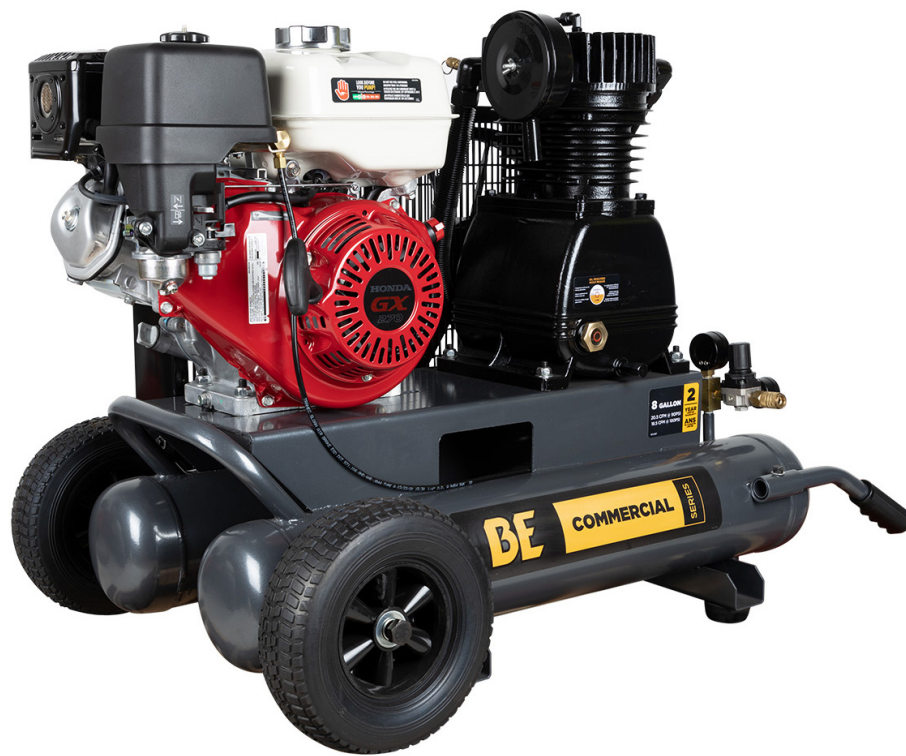


# PARTS BREAKDOWN

## AIR COMPRESSOR

MODEL:AC908HB2

---



---

**BEPOWEREQUIPMENT**

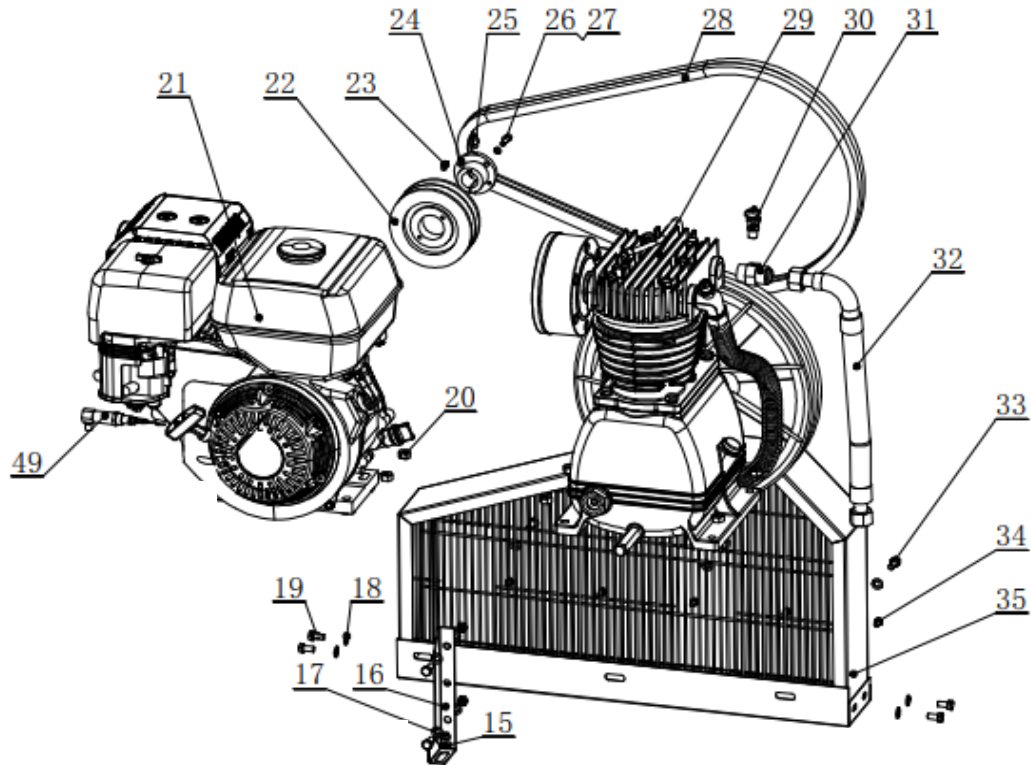
**.COM**



# PARTS BREAKDOWN AIR COMPRESSOR

MODEL:AC908HB2

## PUMP AND PLUMBING



| REF # | DESCRIPTION               | QTY | BE PART #        |
|-------|---------------------------|-----|------------------|
| 22    | PULLEY                    | 1   | 42.005.133       |
| 23    | PLAIN KEY                 | 1   |                  |
| 24    | PULLEY BUSHING            | 1   |                  |
| 25    | SOCKET HEAD CAP SCREW     | 1   |                  |
| 26    | HEX SOCKET HEAD CAP SCREW | 2   |                  |
| 28    | V-BELT                    | 2   | 42.005.134       |
| 29    | PUMP ASSEMBLY             | 1   | See Page 4       |
| 32    | FLEX LINE                 | 1   | 42.005.135       |
| 16    | BELT GUARD HOLDER         | 1   | 42.005.136       |
| 18    | PLAIN WASHER 6            | 4   |                  |
| 19    | HEX BOLT M6X20            | 4   |                  |
| 35    | BELT GUARD                | 1   |                  |
| 49    | HONDA GX270 ENGINE        | 1   | CHECK WITH HONDA |

**\*CHECK WITH HONDA FOR ENGINE BREAKDOWN AND PARTS**

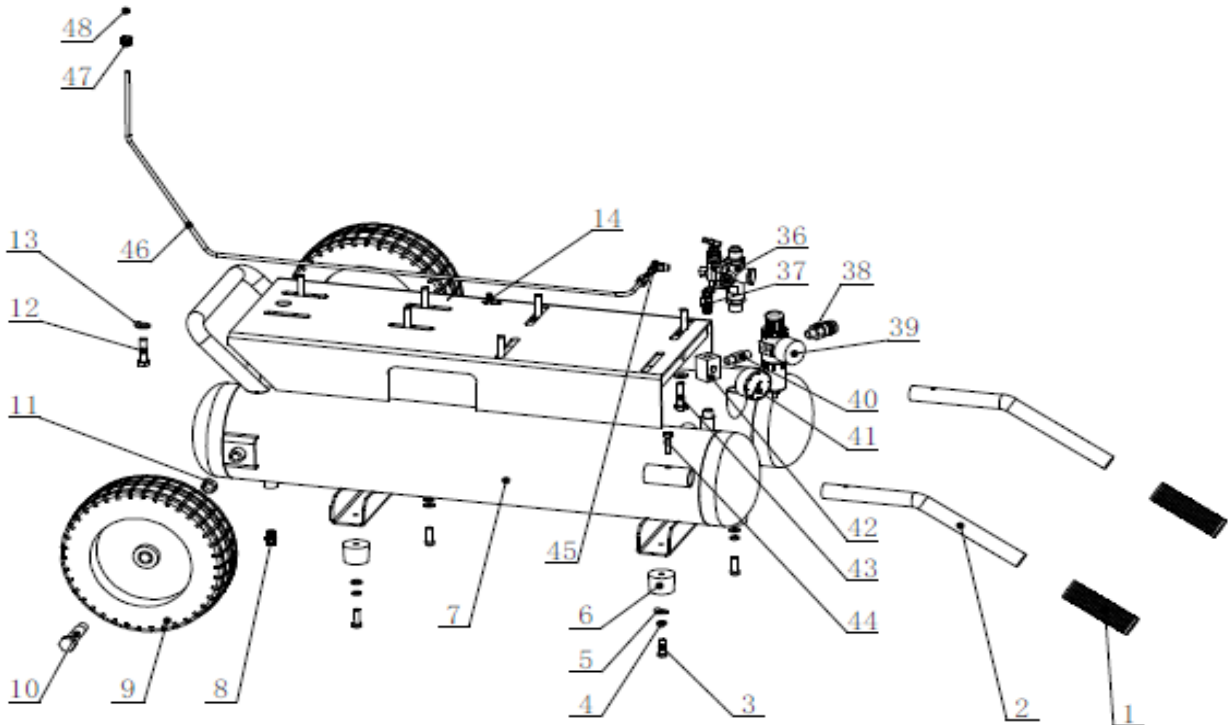


# PARTS BREAKDOWN

## AIR COMPRESSOR

MODEL:AC908HB2

### TANK ASSEMBLY



| REF # | DESCRIPTION              | QTY | BE PART #  |
|-------|--------------------------|-----|------------|
| 1     | HANDLE GRIPS             | 2   | 42.005.141 |
| 2     | METAL HANDLES            | 2   |            |
| 8     | TANK DRAIN               | 2   | 42.001.051 |
| 9     | 10" WHEEL (EACH)         | 2   | 42.005.126 |
| 10    | WHEEL BOLT M14           | 2   | 42.005.132 |
| 11    | WHEEL RING 16            | 2   |            |
| 36    | UNLOADING CHECK VALVE    | 1   | 42.010.025 |
| 37    | ASME SAFETY RELIEF VALVE | 1   | 42.010.028 |
| 38    | QUICK COUPLER            | 1   | 42.000.046 |



# PARTS BREAKDOWN AIR COMPRESSOR

MODEL:AC908HB2

## LH4T PUMP

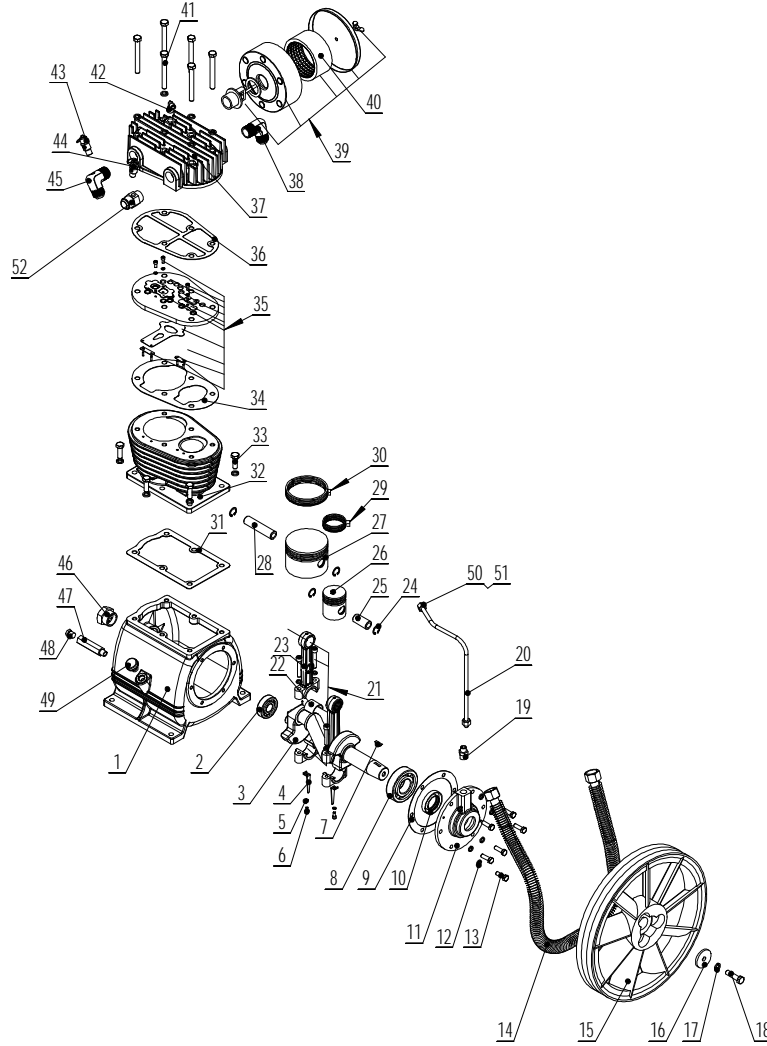
\*CURRENT STYLE:

42.005.139

(SINGLE BELT PULLEY)

\*\*OLD STYLE: 42.005.113

(TWIN BELT PULLEY)



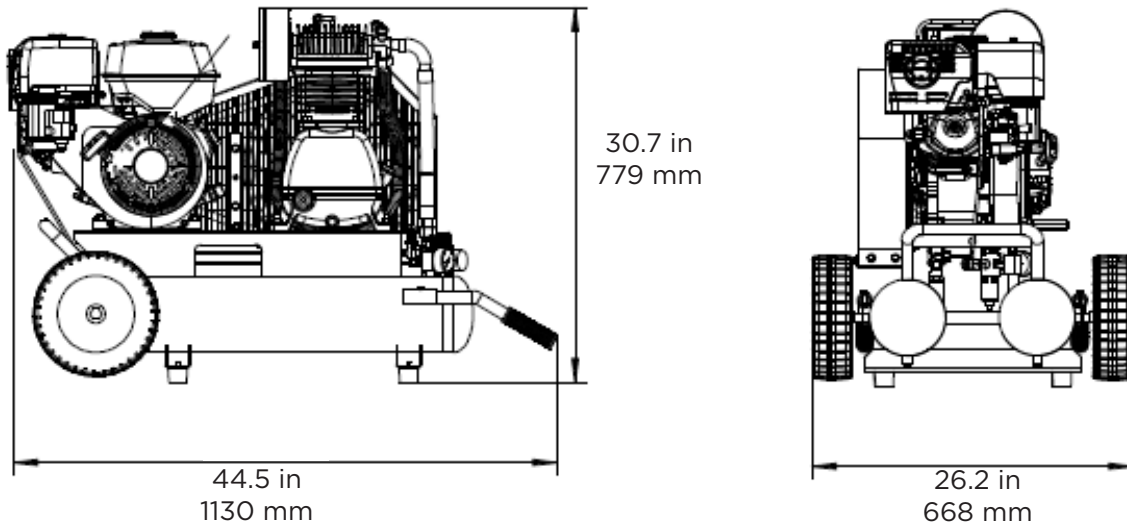
| REF #            | DESCRIPTION                             | QTY | BE PART #  |
|------------------|---|-----|------------|
| 9,10,31,34,35,37 | GASKET ASSEMBLY                         | 1   | 42.005.115 |
| 14               | INTERCOOLER TUBE                        | 1   | 42.005.140 |
| *15-18           | FLYWHEEL ASSEMBLY (CURRENT STYLE)       | 1   | 42.005.138 |
| **15-18          | FLYWHEEL ASSEMBLY (OLD STYLE)           | 1   | 42.005.114 |
| 20               | BREATHER TUBE, INCLUDES NUT AND FERRULE | 1   | 42.005.118 |
| 29,30            | PISTON RING ASSEMBLY                    | 1   | 42.005.117 |
| 36               | VALVE ASSEMBLY SET                      | 1   | 42.005.116 |
| 39               | AIR FILTER ASSEMBLY                     | 1   | 42.005.052 |
| 40               | AIR FILTER ELEMENT                      | 1   | 42.005.028 |
| 46               | SIGHT GLASS                             | 1   | 42.005.109 |
| 47,48            | OIL DRAIN WITH PLUG                     | 1   | 42.005.120 |
| 49               | OIL CAP                                 | 1   | 42.005.110 |



# PARTS BREAKDOWN AIR COMPRESSOR

MODEL:AC908HB2

## DIMENSIONS



| DIMENSION | MEASUREMENT | QTY  |
|-----------|-------------|------|
| LENGTH    | INCHES      | 44.5 |
|           | MILLIMETERS | 1130 |
| WIDTH     | INCHES      | 26.2 |
|           | MILLIMETERS | 668  |
| HEIGHT    | INCHES      | 30.7 |
|           | MILLIMETERS | 779  |

# **BE**

**POWER EQUIPMENT**

---

If you need technical assistance call:

**1-866-850-6662**

**(8:00am - 4:30pm PST, Mon - Fri)**