



PARTS BREAKDOWN

2" HIGH-PRESSURE PUMP

MODEL:HP-2065HR



BEPOWEREQUIPMENT

.COM

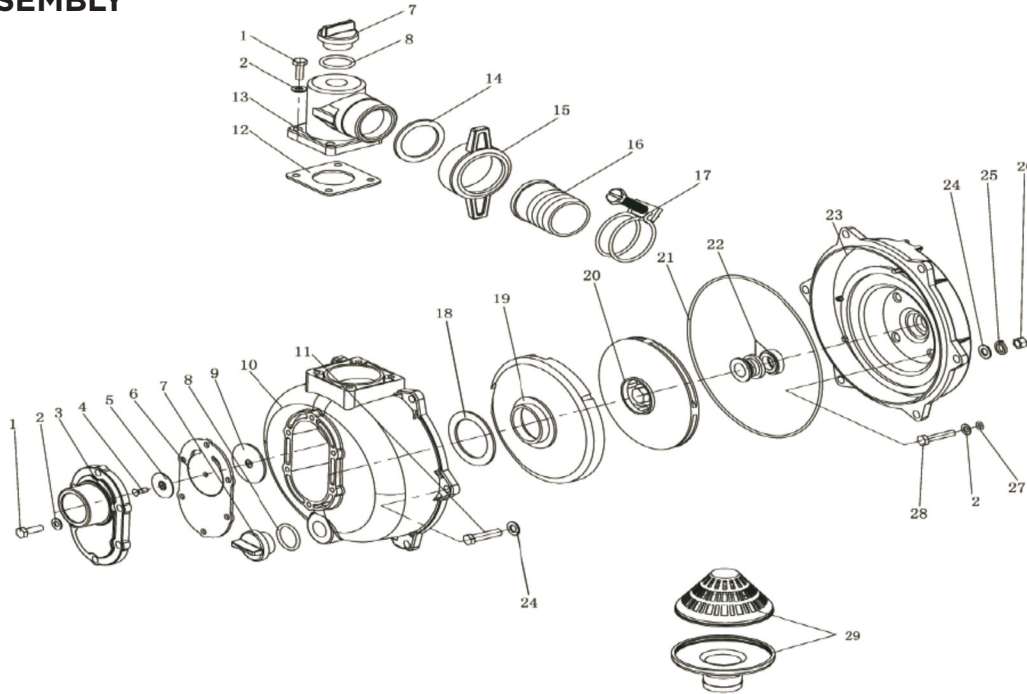


PARTS BREAKDOWN

2" HIGH-PRESSURE PUMP

MODEL:HP-2065HR

PUMP ASSEMBLY



REF #	DESCRIPTION	QTY	BE PART #
3	Inlet	1	85.571.142
13	Outlet	1	
6	Inlet Gasket	1	85.571.143F
12	Outlet Gasket	1	
18	Whorl Case Seal Ring	1	
21	Water Pump Joint Cushion	1	
22	Porcelain Seal	1	
23	Impeller Seal	1	
24	Mechanical Seal Assembly	1	
27	Gasket	4	50.002.263
7	Plug	2	
8	Plug O-ring	2	85.571.145
10	Pump Body	1	
19	Whorl Case	1	85.571.146F
20	Water Pump Impeller	1	85.571.141F
23	Water Pump Joint	1	85.571.147F

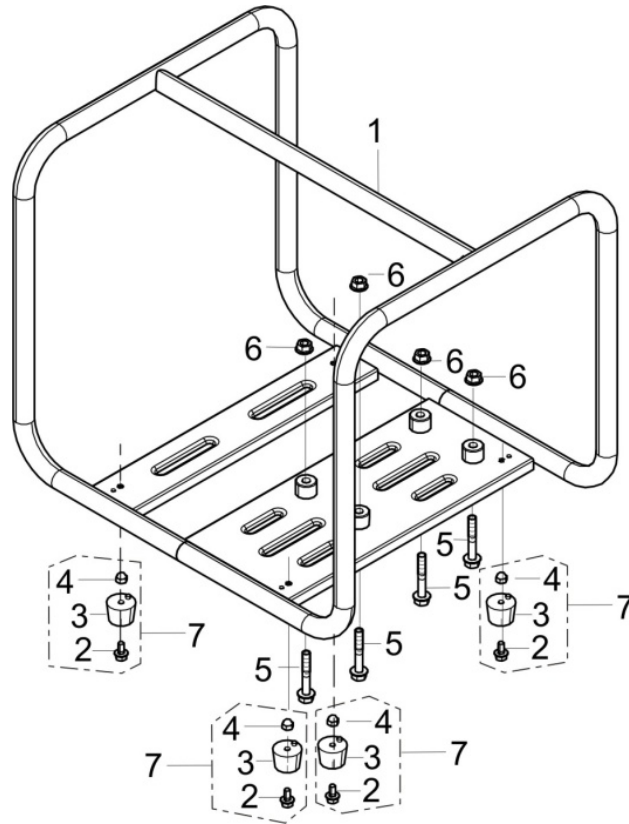


PARTS BREAKDOWN

2" HIGH-PRESSURE PUMP

MODEL:HP-2065HR

FRAME ASSEMBLY



REF #	DESCRIPTION	QTY	BE PART #
2	Bolt	4	50.002.205
3	Engine Frame Shock Absorption Seat	4	
4	Acorn Nut	4	

***CHECK WITH HONDA FOR ENGINE BREAKDOWN AND PARTS**

BE

POWER EQUIPMENT

If you need technical assistance call:

1-866-850-6662

(8:00am - 4:30pm PST, Mon - Fri)