

# PALLET FORKS

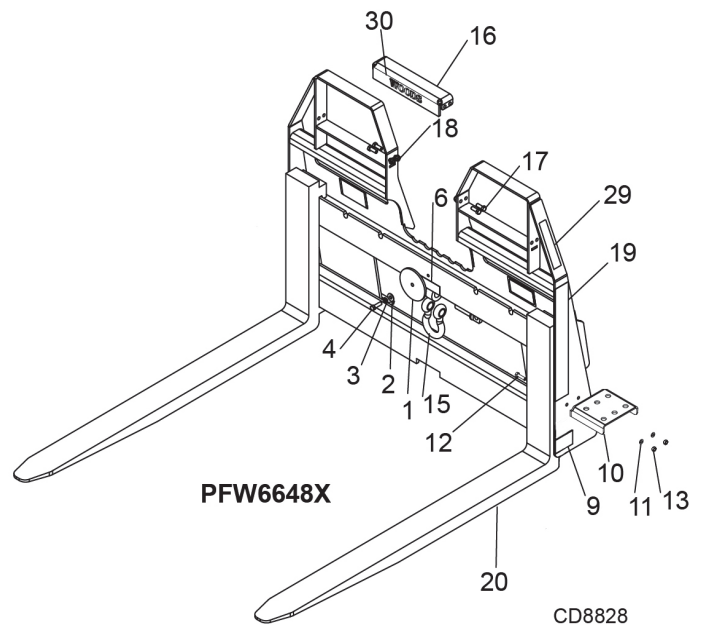
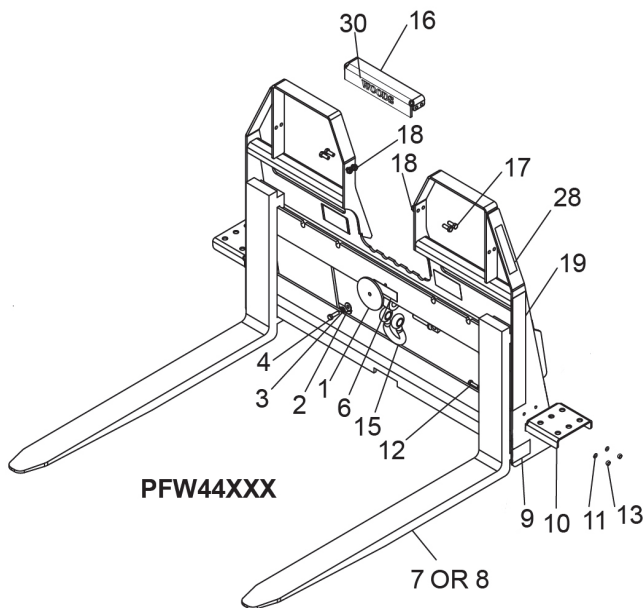
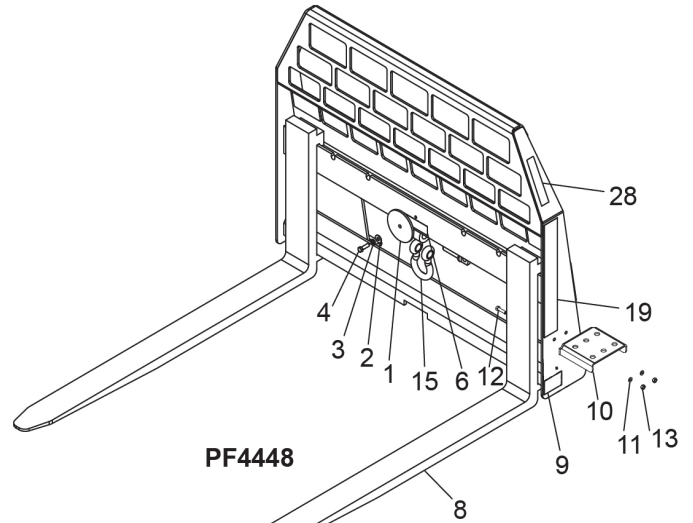
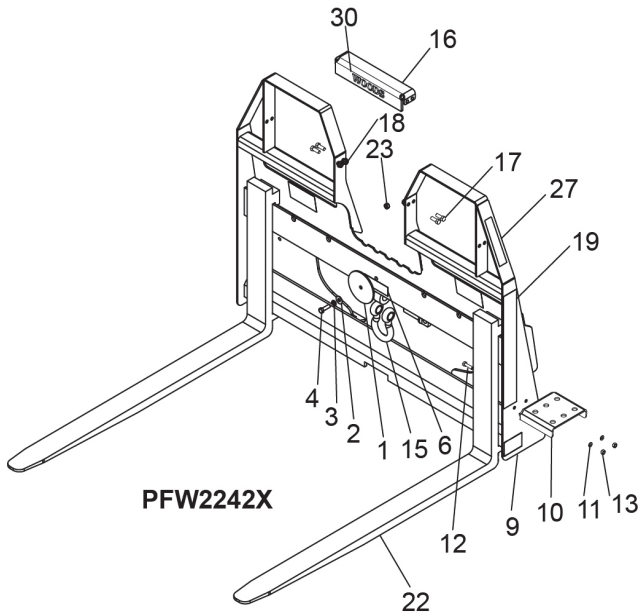
PFW2242S, PFW2242E, PFW2242JD - GENERAL PURPOSE FORK

PFW4442S, PFW4442E, PFW4442JD - STANDARD DUTY, LOW GUARD FORK

PFW4448S, PFW4448E, PFW4448JD - STANDARD DUTY, LOW GUARD FORK

PFW6648S, PFW6648E - HEAVY DUTY, LOW GUARD FORK

PF4448S - STANDARD DUTY, FULL HEIGHT FORK



# PALLET FORKS

PFW2242S, PFW2242E, PFW2242JD - GENERAL PURPOSE FORK

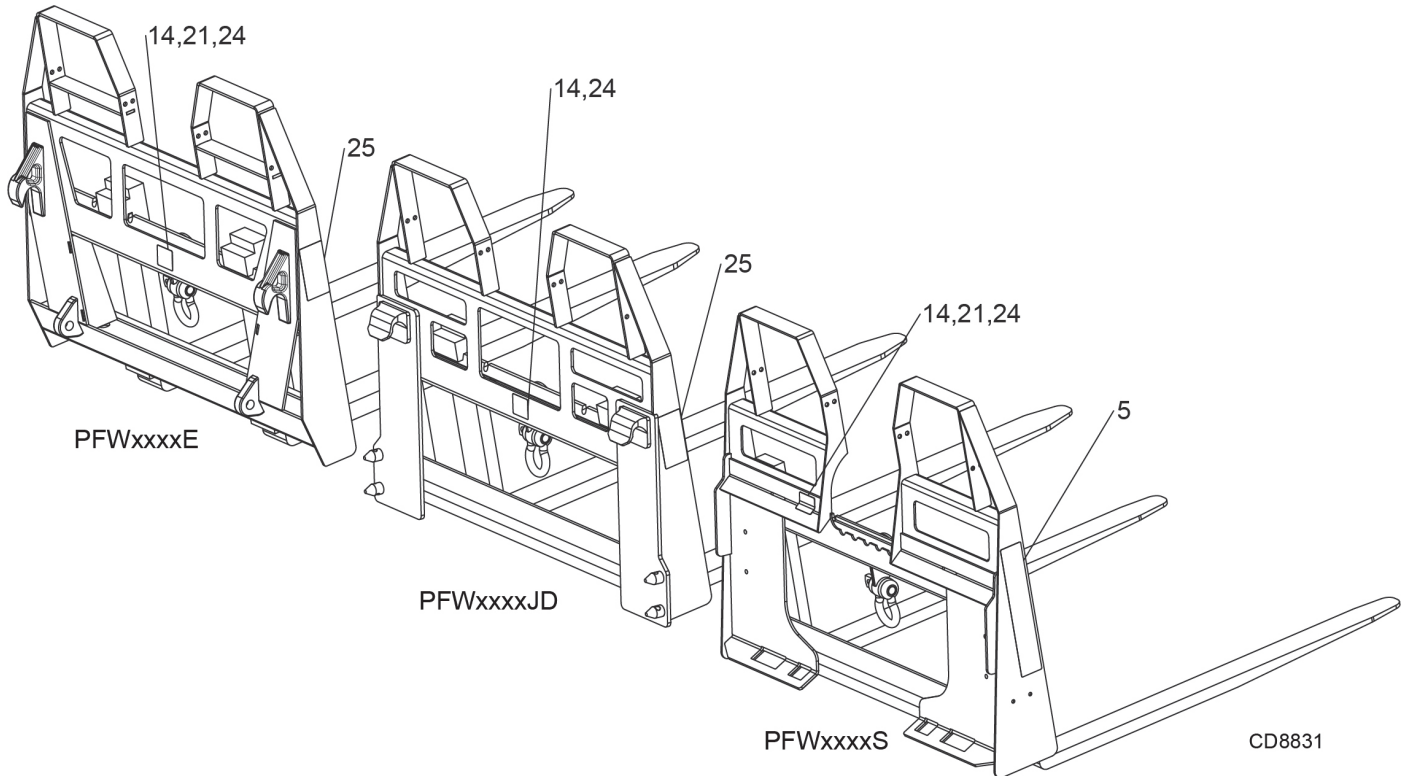
PFW4442S, PFW4442E, PFW4442JD - STANDARD DUTY, LOW GUARD FORK

PFW4448S, PFW4448E, PFW4448JD - STANDARD DUTY, LOW GUARD FORK

PFW6648S, PFW6648E - HEAVY DUTY, LOW GUARD FORK

PF4448S - STANDARD DUTY, FULL HEIGHT FORK

## HITCH STYLE VIEW



REF	PARTS	QTY	DESCRIPTION	PFW2242S	PFW2242E	PFW2242JD	PFW4442S	PFW4448S	PFW4442E	PFW4448E
1	1019882RP	1	ROUND FORK STOP	X			X	X	X	X
2	565*	1	WSHR 3/8 FLAT TOP	X	X		X	X	X	X
3	838*	1	WSHR 3/8 LOCK ZP	X	X		X	X	X	X
4	839*	1	HHCS 3/8 NC X 1 GR5 ZP	X	X		X	X	X	X
5	1022032	1	DCL, WRNG, SKID STEER SAFETY	X	X		X	X	X	X
6	54809	1	DCL, WRNG, LOCKPLATE MISSING		X		X	X	X	X
7	1037326	2	FORK TINE 1.4 X 3.9 X 42				X	X	X	X
8	1037327	2	FORK TINE 1.4 X 3.9 X 48				X	X	X	X
9	1008088	1	DCL, MISC, USA FLAG	X	X		X	X	X	X
10	1019883	2	STEP KIT PF40XX & PF60XX	X			X	X	X	X
11	2472*	4	WSHR 5/16 LOCK ZP	X			X	X	X	X
12	6250*	4	HHCS 5/16 NC X 1-1/4 GR5 ZP	X	X		X	X	X	X
13	4529*	4	NUT HEX 5/16 NC ZP	X			X	X	X	X
14	1045907	1	DCL, WRNG, FORK MAX LOAD 4400				X	X	X	X
15	S49040700	4	1/4 X 1-1/8" CLEVIS (W/PIN)	X	X		X	X	X	X
16	1042560RP	1	PLATE, BRAND PFW - WOODS	X	X		X	X	X	X
17	839*	4	HHCS 3/8 NC X 1 GR5 ZP	X	X		X	X	X	X
18	14350*	4	NUT LOCK 3/8 NC FLNG	X	X		X	X	X	X
19	1002991	1	DCL, WRNG, LDR FORK	X	X		X	X	X	X
20	1037328	2	TINE, FORK 1.8 X 3.9 X 48				X	X	X	X
21	1045908	1	DCL, WRNG, FORK MAX LOAD 6600				X	X	X	X
22	1045903	2	FORK TINE 1.2 X 3.2 X 42	X	X		X	X	X	X
23	835*	1	NUT HEX 3/8 NC PLTD	X	X		X	X	X	X
24	1045906	1	DCL, WRNG, FORK MAX LOAD 2200	X	X		X	X	X	X
25	1045911	1	DCL, WRNG, LOADER CRUSH SAFETY	X	X		X	X	X	X
26	1039729	%	LOCKDOWN REPAIR KIT (NOT SHOWN)	X	X		X	X	X	X
27	1046087	2	DCL, CAPACITY 2200	X	X		X	X	X	X
28	1046088	2	DCL, CAPACITY 4400	X	X		X	X	X	X
29	1046089	2	DCL, CAPACITY 6600	X	X		X	X	X	X
30	78760	1	DCL, WOODS	X	X		X	X	X	X

OPT Optional equipment  
NSS Not sold separately  
NS Not shown  
\* Standard hardware, obtain locally  
% As Necessary

REF	PARTS	QTY	DESCRIPTION	PFW4442JD	PFW4448JD	PF4448S	PFW6648S	PF6648E
1	1019882RP	1	ROUND FORK STOP	X				
2	565*	1	WSHR 3/8 FLAT TOP	X	X	X	X	X
3	838*	1	WSHR 3/8 LOCK ZP	X	X	X	X	X
4	839*	1	HHCS 3/8 NC X 1 GR5 ZP	X	X	X	X	X
5	1022032	1	DCL, WRNG, SKID STEER SAFETY			X	X	
6	54809	1	DCL, WRNG, LOCKPLATE MISSING		X			X
7	1037326	2	FORK TINE 1.4 X 3.9 X 42	X				
8	1037327	2	FORK TINE 1.4 X 3.9 X 48		X	X		
9	1008088	1	DCL, MISC, USA FLAG	X		X		
10	1019883	2	STEP KIT PF40XX & PF60XX		X	X	X	X
11	2472*	4	WSHR 5/16 LOCK ZP	X	X	X	X	
12	6250*	4	HHCS 5/16 NC X 1-1/4 GR5 ZP	X	X	X	X	
13	4529*	4	NUT HEX 5/16 NC ZP	X	X	X	X	
14	1045907	1	DCL, WRNG, FORK MAX LOAD 4400	X	X	X		
15	S49040700	4	1/4 X 1-1/8" CLEVIS (W/PIN)	X	X	X	X	X
16	1042560RP	1	PLATE, BRAND PFW - WOODS	X	X		X	X
17	839*	4	HHCS 3/8 NC X 1 GR5 ZP	X	X		X	X
18	14350*	4	NUT LOCK 3/8 NC FLNG	X	X		X	X
19	1002991	1	DCL, WRNG, LDR FORK		X	X	X	X
20	1037328	2	TINE, FORK 1.8 X 3.9 X 48			X	X	X
21	1045908	1	DCL, WRNG, FORK MAX LOAD 6600				X	X
22	1045903	2	FORK TINE 1.2 X 3.2 X 42				X	
23	835*	1	NUT HEX 3/8 NC PLTD					
24	1045906	1	DCL, WRNG, FORK MAX LOAD 2200					
25	1045911	1	DCL, WRNG, LOADER CRUSH SAFETY	X	X			X
26	1039729	%	LOCKDOWN REPAIR KIT (NOT SHOWN)	X	X	X		X
27	1046087	2	DCL, CAPACITY 2200				X	
28	1046088	2	DCL, CAPACITY 4400				X	
29	1046089	2	DCL, CAPACITY 6600				X	X
30	78760	1	DCL, WOODS	X	X			X

OPT Optional equipment  
NSS Not sold separately  
NS Not shown  
\* Standard hardware, obtain locally  
% As Necessary  
+ For PFWXXXXJD, PFWXXXXE