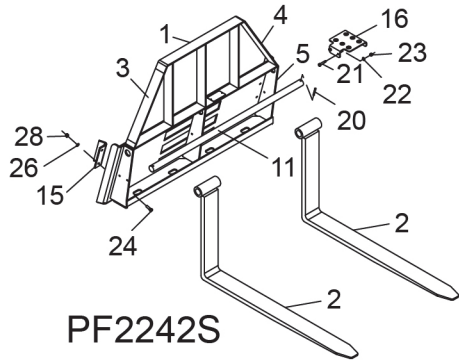
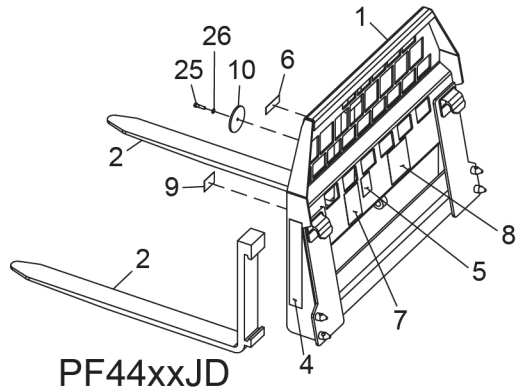


PALLET FORKS

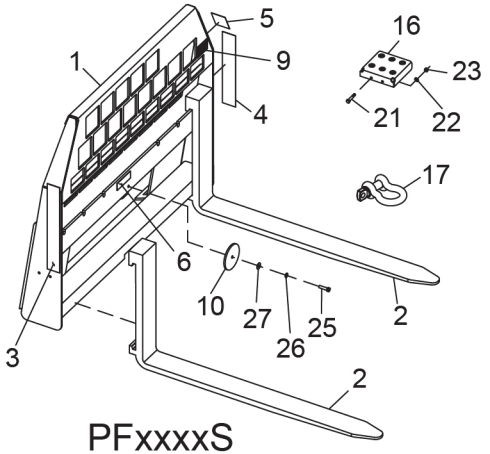
PF2242S GENERAL PURPOSE FORK
PF4436S, PF4442S & PF4448S STD DUTY, FULL HEIGHT FORK
PF4436SLG, PF4442SLG & PF4448SLG STD DUTY, LOW GUARD FORK
PF4442JD & PF4448JD STD DUTY, FULL HEIGHT FORK
PF6648S HEAVY DUTY, FULL HEIGHT FORK
PF6648SLG HEAVY DUTY, LOW GUARD FORK
PF6648E HEAVY DUTY, FULL HEIGHT FORK
PF6648EJD HEAVY DUTY, FULL HEIGHT FORK



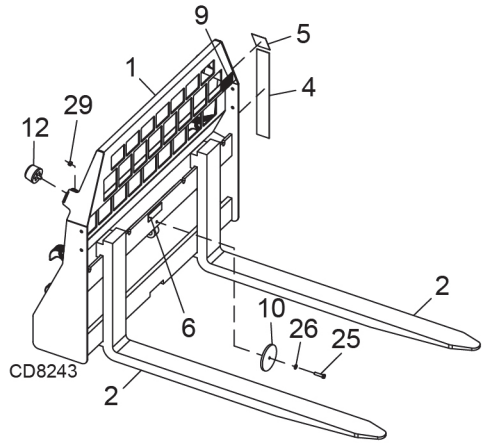
PF2242S



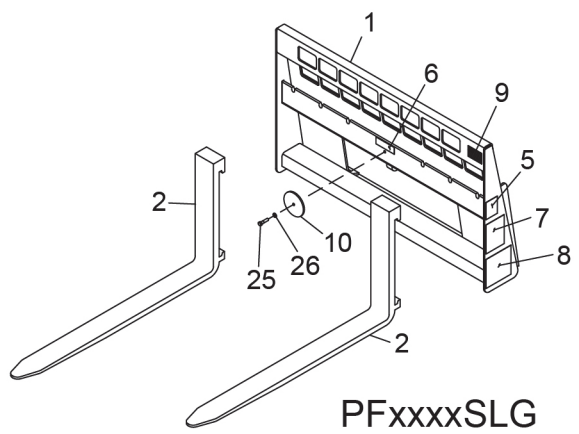
PF44xxJD



PFxxxxS



PF6648E



PFxxxxSLG

REF	PARTS	QTY	DESCRIPTION	PF2242S	PF4436S	PF4436SLG	PF4442S	PF4442SLG	PF4448S	PF4448SLG	PF4442JD	PF4448JD
1	NSS	1	Main frame									
1	1002982	1	Main frame, PF2242S	X								
2	1036166	2	Pallet fork time, 1.3 x 3.9 x 42	X								
2	1037325	2	Pallet fork time, 1.4 x 3.9 x 36		X							
2	1037326	2	Pallet fork time, 1.4 x 3.9 x 42		X	X						
2	1037327	2	Pallet fork time, 1.4 x 3.9 x 48				X					
2	1037328	2	Pallet fork time, 1.8 x 3.9 x 48					X				
3	1022032	1	Decal, Warning skid steer safety		X		X		X			
4	1002991	1	Decal, Warning, loader fork		X		X		X			
5	1022030	1	Decal, Warning, fork max load		X				X			
5	1035498	1	Decal, Warning, fork max load	X								
6	54809	1	Decal, Warning, lockplate missing		X		X		X			
7	46423	1	Decal, Warning, prime mover		X		X		X			
8	46424	1	Decal, Warning, fall off/crush		X		X		X			
9	1008088	1	Decal, USA flag		X		X		X			
10	1019882	1	Round fork stop		X		X		X			
10	1027394	1	Round fork stop - ISO				X		X			
11	32358-1	1	Pivot rod	X								
12	62440	2	Pad assembly - bumper									
15	1027925	OPT	Kit, Case 1800 series guide	X								
16	1019880	OPT	Step kit - PF2042S	X								
16	1019883	OPT	Step kit - PF44 & PF66		X	X	X	X	X	X		
17	1022017	OPT	Lift clevis kit		X	X	X	X	X	X		
20	481756*	2	1/4 x 2 Roll pin	X			X		X			X
21	6250*	2	5/16 NC x 1-1/4 HHCS, GR5	X	X	X	X	X	X	X		
22	2472*	2	5/16 Lockwasher	X	X	X	X	X	X	X		
23	4529*	2	5/16 NC Hex nut	X	X	X	X	X	X	X		
24	12169*	4	3/8 NC x 1-1/4 HHCS, GR5	X	X	X	X	X	X	X		
25	976*	1	3/8 NC x 1-1/2 HHCS, GR5		X	X	X	X	X	X		
26	838*	4	3/8 Lockwasher		X	X	X	X	X	X		
27	565*	1	3/8 Std Flat washer		X		X		X			
28	835*	4	3/8 NC Hex nut	X			X		X			
29	70069*	2	3/8 NC Flange whiz nut				X		X			
NS	52773	2	Lock lever kit w/.620 x 1.500 pin		X	X	X	X	X	X		
NS	1022018	2	Lock knob kit w/.370 x 2.250 pin		X	X	X	X	X	X		
NS	1033048	2	Lock knob kit w/.488 x 2.170 pin		X	X	X	X	X	X		
NS	1037329	2	Lock lever kit w/.610 x 1.535 pin		X	X	X	X	X	X		
	OPT		Optional equipment									
	NSS		Not sold separately									
	NS		Not shown									
	*		Standard hardware, obtain locally									

REF	PARTS	QTY	DESCRIPTION	PF6648S	PF6648SLG	PF6648E
1	NSS	1	Main frame	X		X
1	1002982	1	Main frame, PF2242S			
2	1036166	2	Pallet fork tine, 1.3 x 3.9 x 42			
2	1037325	2	Pallet fork tine, 1.4 x 3.9 x 36			
2	1037326	2	Pallet fork tine, 1.4 x 3.9 x 42			
2	1037327	2	Pallet fork tine, 1.4 x 3.9 x 48			
2	1037328	2	Pallet fork tine, 1.8 x 3.9 x 48	X	X	X
3	1022032	1	Decal, Warning skid steer safety	X		
4	1002991	1	Decal, Warning, loader fork	X		X
5	1022030	1	Decal, Warning, fork max load			
5	1035498	1	Decal, Warning, fork max load	X	X	X
6	54809	1	Decal, Warning, lockplate missing	X	X	X
7	46423	1	Decal, Warning, prime mover		X	
8	46424	1	Decal, Warning, fall off/crush		X	
9	1008088	1	Decal, USA flag	X	X	X
10	1019882	1	Round fork stop	X	X	
10	1027394	1	Round fork stop - ISO			X
11	32358-1	1	Pivot rod			
12	62440	2	Pad assembly - bumper			X
15	1027925	OPT	Kit, Case 1800 series guide			
16	1019880	OPT	Step kit - PF2042S			
16	1019883	OPT	Step kit - PF44 & PF66	X	X	X
17	1022017	OPT	Lift clevis kit	X	X	X
20	481756*	2	1/4 x 2 Roll pin			
21	6250*	2	5/16 NC x 1-1/4 HHCS, GR5	X	X	X
22	2472*	2	5/16 Lockwasher	X	X	X
23	4529*	2	5/16 NC Hex nut	X	X	X
24	12169*	4	3/8 NC x 1-1/4 HHCS, GR5	X	X	X
25	976*	1	3/8 NC x 1-1/2 HHCS, GR5	X	X	X
26	838*	4	3/8 Lockwasher	X	X	X
27	565*	1	3/8 Std Flat washer			
28	835*	4	3/8 NC Hex nut			
29	70069*	2	3/8 NC Flange whiz nut			X
NS	52773	2	Lock lever kit w/.620 x 1.500 pin	X	X	X
NS	1022018	2	Lock knob kit w/.370 x 2.250 pin	X	X	X
NS	1033048	2	Lock knob kit w/.488 x 2.170 pin	X	X	X
NS	1037329	2	Lock lever kit w/.610 x 1.535 pin	X	X	X

OPT Optional equipment
NSS Not sold separately
NS Not shown
* Standard hardware, obtain locally