

Technical sheet :

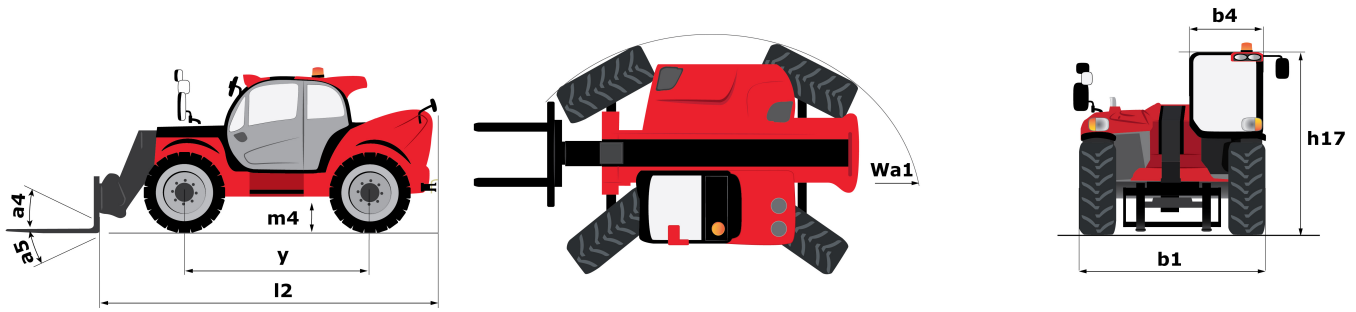
# **MTA 6034 S3**

---

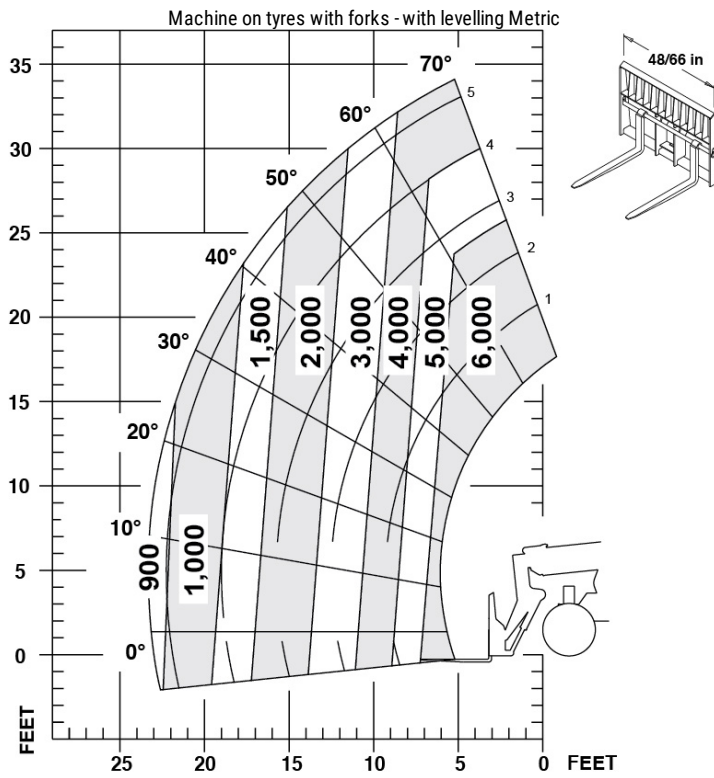


Capacities		Metric
Max. capacity		2721 kg
Max. lifting height		10.44 m
Max. Reach		7.09 m
Weight and dimensions		
Overall length to carriage	l11	4.88 m
Overall length (with forks)	l1	4.88 m
Overall width	b1	2.39 m
Overall height	h17	2.36 m
Wheelbase	y	2.80 m
Ground clearance	m4	356 mm
Overall cab width	b4	762 mm
Tilt-up angle	a4	12 °
Tilt-down angle	a5	106 °
External turning radius	Wa3	3.81 m
Unladen weight (with forks)		6855 kg
Standard tyres		15 x 19.5
Frame levelling longitudinal +/-		10 °
Performances		
Lifting		11 s
Lowering		8 s
Extension		10 s
Retraction		11 s
Crowd		4 s
Dump		3 s
Engine		
Engine brand		Deutz
Engine nom		Stage IV / Tier 4 Final
Engine model		TD3.6 L4
Number of cylinders / Capacity of cylinders		4 - 3.62 cm <sup>3</sup>
Power (kW)		55.40 kW
Max. torque / Engine rotation		330 Nm @ 330 rpm
Transmission		
Transmission type		Torque Converter with powershift
Number of gears (forward / reverse)		3 / 3
Travel speed (laden)		29 km/h
Parking brake		SAHR
Service brake		Wet disc brakes
Axle Manufacturer		Dana
Hydraulics		
Hydraulic pump type		Gear pump
Hydraulic flow / Pressure		110 l/min / 207 Bar
Tank capacities		
Engine oil		8.90 l
Hydraulic oil		133 l
Fuel tank		110 l
Miscellaneous		
Steering wheels (front / rear)		2 / 2
Drive wheels (front / rear)		2 / 2
Safety cab homologation		ROPS/FOPS
Controls		Single Joystick FNR

## Dimensional drawing



## Load chart





Siège Social

430 rue de l'Aubinière - 44150 Ancenis Cedex - France

Tel: +33(0)2 40 09 10 11 - Fax: +33 (0)2 40 09 10 97

[www.manitou.com](http://www.manitou.com)



This brochure describes versions and configuration options for Manitou products which may be fitted with different equipment. The equipment described in this brochure may be standard, optional or not available depending on version. Manitou reserves the right to change the specifications shown and described at any time and without prior warning. The manufacturer is not liable for the specifications given. For more information, contact your Manitou dealer. Non-contractual document. Product descriptions may differ from actual products. List of specifications is not comprehensive. The logos and visual identity of the company are the property of Manitou and may not be used without authorisation. All rights reserved. The photos and diagrams contained in this brochure are provided for information only.

MANITOU BF SA - Limited company with board of directors - Share capital: 39,668,399 euros - 857 802 508 RCS Nantes