

OPTIONS AS SHOWN

OPTION	PART #	DESCRIPTION
Tires	A000003	Tire Assembly- 380/90 R46" 10 Bolt Large
Adj. Axle	N/A	N/A (Req. P000350)
Coupler Style	A000034	Hitch - Adj. (Req. A000017)
Spindles	A000014 A000015	Spindle Assembly - 12Ton (380/90R46 10 Bolt)



MONTAG MFG

3816 461st AVE,
Emmetsburg, IA 50536

P: 712-852-4572
F: 712-852-4574
www.montagmfg.com

DO NOT SCALE DRAWING
UNLESS OTHERWISE SPECIFIED:
DIMENSIONS ARE IN INCHES

TOLERANCES ARE AS FOLLOWS:
FRACTIONAL ± 1/32
ANGULAR: ± 1°
TWO PLACE DECIMAL ±.03
THREE PLACE DECIMAL ±.003

MATERIAL
N/A

FINISH
N/A

CONFIDENTIAL:
This drawing and design is proprietary
and confidential to Montag
Manufacturing, Inc.

	NAME	DATE
DRAWN	SEC	07/10/14
APPROVED	SEC	10/17/17

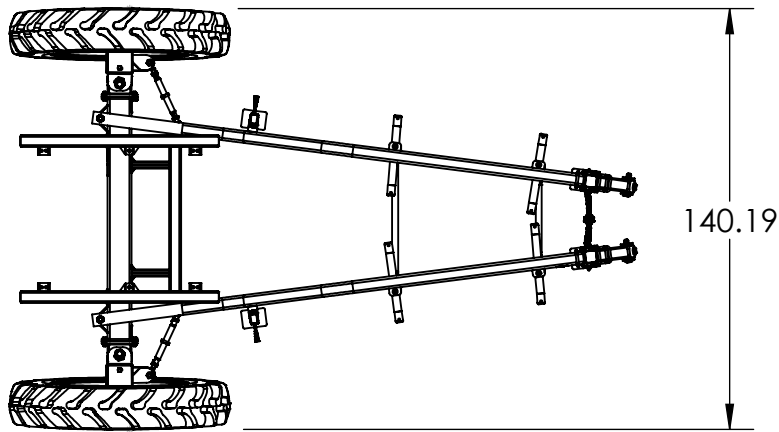
COMMENTS:

TITLE:

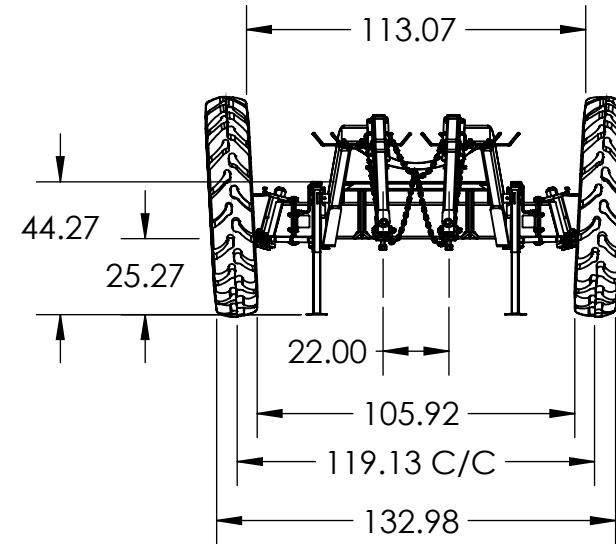
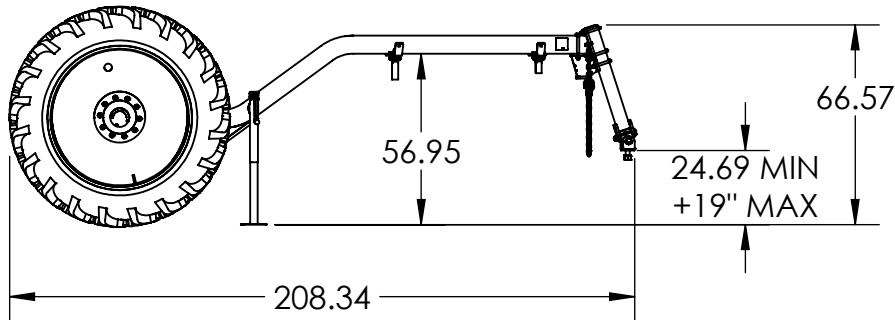
**Auto Steer Cart - 12 Ton
120" C/C - 380/90 R46"**


SIZE	PART. NO.	REV
A	C12B-C	C-01

SCALE: 1:64 WEIGHT:



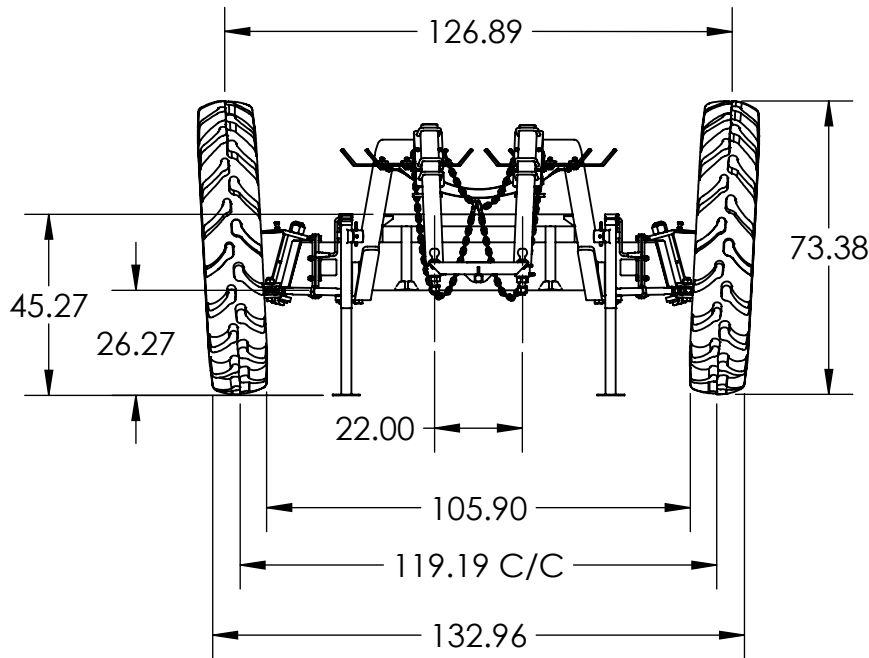
OPTIONS AS SHOWN		
OPTION	PART #	DESCRIPTION
Tires	A000003	Tire Assembly- 380/90 R46" 10 Bolt Large
Adj. Axle	N/A	N/A (Req. P000350)
Coupler Style	A000020	Hitch - Knuckle Assembly (Req. W000237)
Spindles	A000014 A000015	Spindle Assembly - 12Ton (380/90R46 10 Bolt)



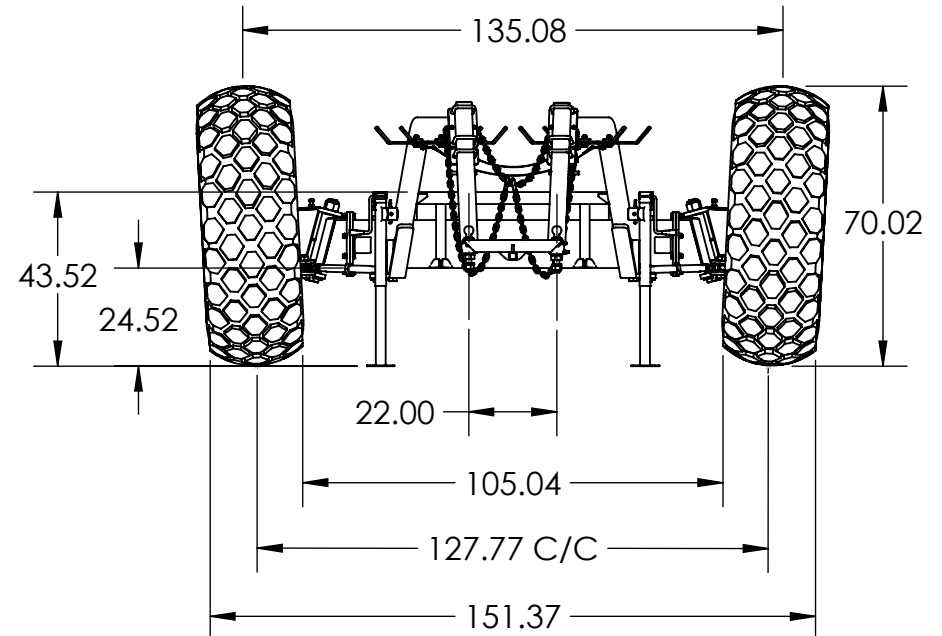
		MONTAG MFG 3816 461st AVE, Emmetsburg, IA 50536		P: 712-852-4572 F: 712-852-4574 www.montagmfg.com	
		DO NOT SCALE DRAWING UNLESS OTHERWISE SPECIFIED: DIMENSIONS ARE IN INCHES TOLERANCES ARE AS FOLLOWS: FRACTIONAL ± 1/32 ANGULAR: ± 1° TWO PLACE DECIMAL ±.03 THREE PLACE DECIMAL ±.003		CONFIDENTIAL: This drawing and design is proprietary and confidential to Montag Manufacturing, Inc.	
MATERIAL N/A		DRAWN SEC 07/10/14		NAME DATE	
FINISH N/A		APPROVED SEC 10/17/17		COMMENTS:	
SCALE: 1:64		WEIGHT:		SIZE A	
PART. NO. C12B-C		REV C-01			

0" OFFSET

**C12B-C
A000003
380/90 R46"**



**C12B-E
A000002
24.5 x 32"**



NOTE: ALL TIRE DIMENSIONS ARE APPROXIMATE

- 0" OFFSET = 120" C/C**
- 10" OFFSET = 130" C/C**
- 12" OFFSET = 132" C/C**
- 24" OFFSET = 144" C/C**
- 32" OFFSET = 152" C/C**
- 40" OFFSET = 160" C/C**



MONTAG MFG

3816 461st AVE,
Emmetsburg, IA 50536

P: 712-852-4572
F: 712-852-4574
www.montagmfg.com

DO NOT SCALE DRAWING
UNLESS OTHERWISE SPECIFIED:
DIMENSIONS ARE IN INCHES

TOLERANCES ARE AS FOLLOWS:
FRACTIONAL ± 1/32
ANGULAR: ± 1
TWO PLACE DECIMAL ±.03
THREE PLACE DECIMAL ±.003

MATERIAL N/A
FINISH N/A

CONFIDENTIAL:
This drawing and design is proprietary
and confidential to Montag
Manufacturing, Inc.

	NAME	DATE
DRAWN	SEC	07/10/14
APPROVED	SEC	10/17/17

COMMENTS:

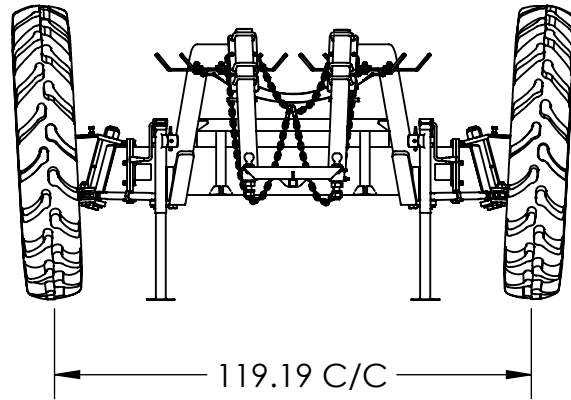
TITLE:

**Auto Steer Cart - 12 Ton
Adjustable Axle**

SIZE	PART. NO.	REV
A	C12B	C-01

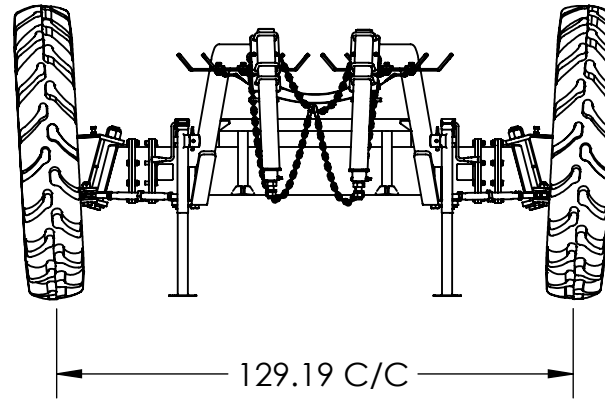
SCALE: 1:48 WEIGHT:

0" OFFSET



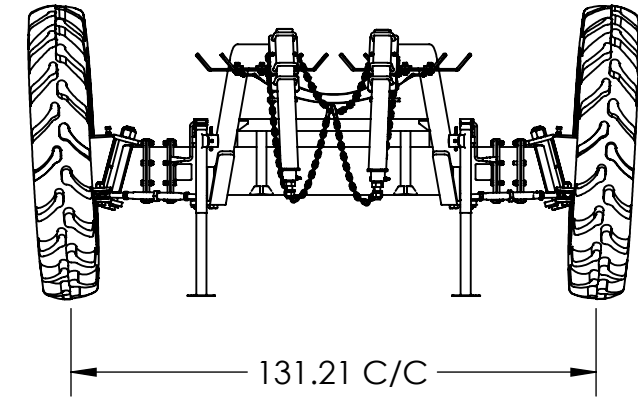
AXLE EXTENSION: NONE
TIE-ROD: P000350

10" OFFSET



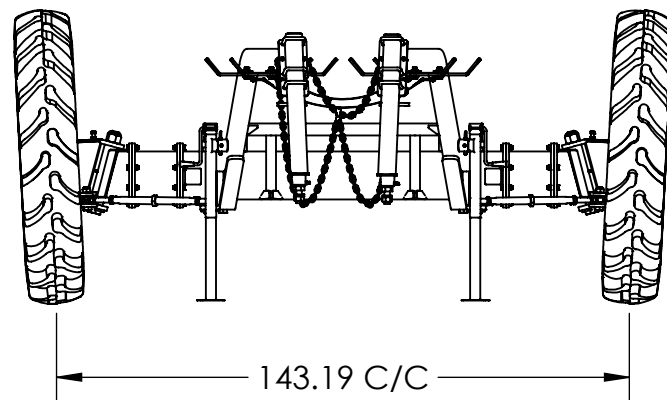
AXLE EXTENSION: A000043
TIE-ROD: P000350

12" OFFSET



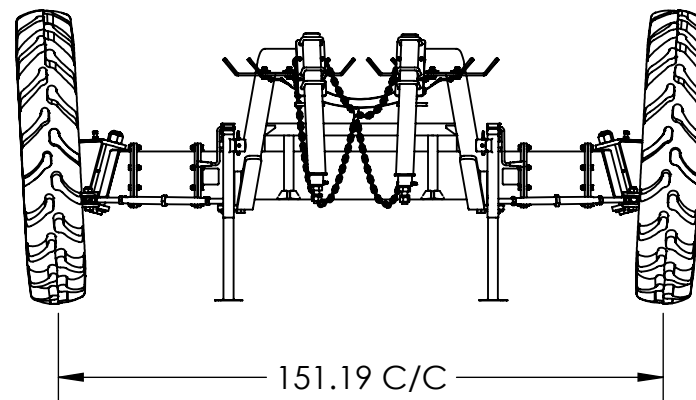
AXLE EXTENSION: A000044
TIE-ROD: P000350

24" OFFSET



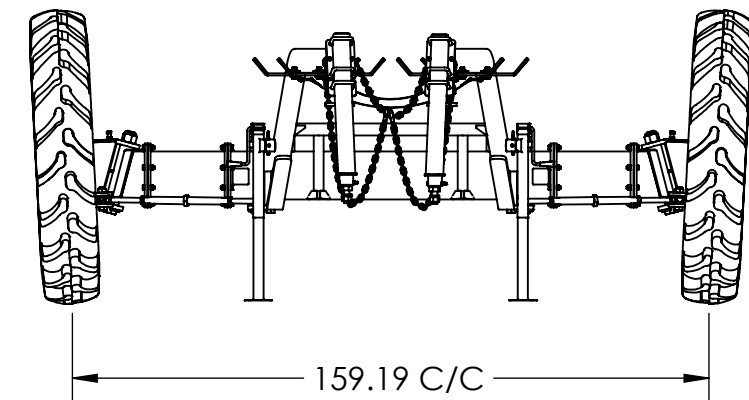
AXLE EXTENSION: A000045
TIE-ROD: P000351

32" OFFSET



AXLE EXTENSION: A000046
TIE-ROD: P000351

40" OFFSET



AXLE EXTENSION: A000047
TIE-ROD: P000351

CARTS DISPLAYED ARE C12B-C (A000003 - 380/90 R46") TIRE OPTION



MONTAG MFG
3816 461st AVE,
Emmetsburg, IA 50536

P: 712-852-4572
F: 712-852-4574
www.montagmfg.com

DO NOT SCALE DRAWING
UNLESS OTHERWISE SPECIFIED:
DIMENSIONS ARE IN INCHES
TOLERANCES ARE AS FOLLOWS:
FRACTIONAL ± 1/32
ANGULAR: ± 1
TWO PLACE DECIMAL ±.03
THREE PLACE DECIMAL ±.003

CONFIDENTIAL: This drawing and design is proprietary and confidential to Montag Manufacturing, Inc.		
	NAME	DATE
DRAWN	SEC	07/10/14
APPROVED	SEC	10/17/17

TITLE:
**Auto Steer Cart - 12 Ton
Adjustable Axle**

MATERIAL N/A
FINISH N/A

COMMENTS:

SIZE	PART. NO.	REV
B	C12B	C-01
SCALE: 1:48		WEIGHT: