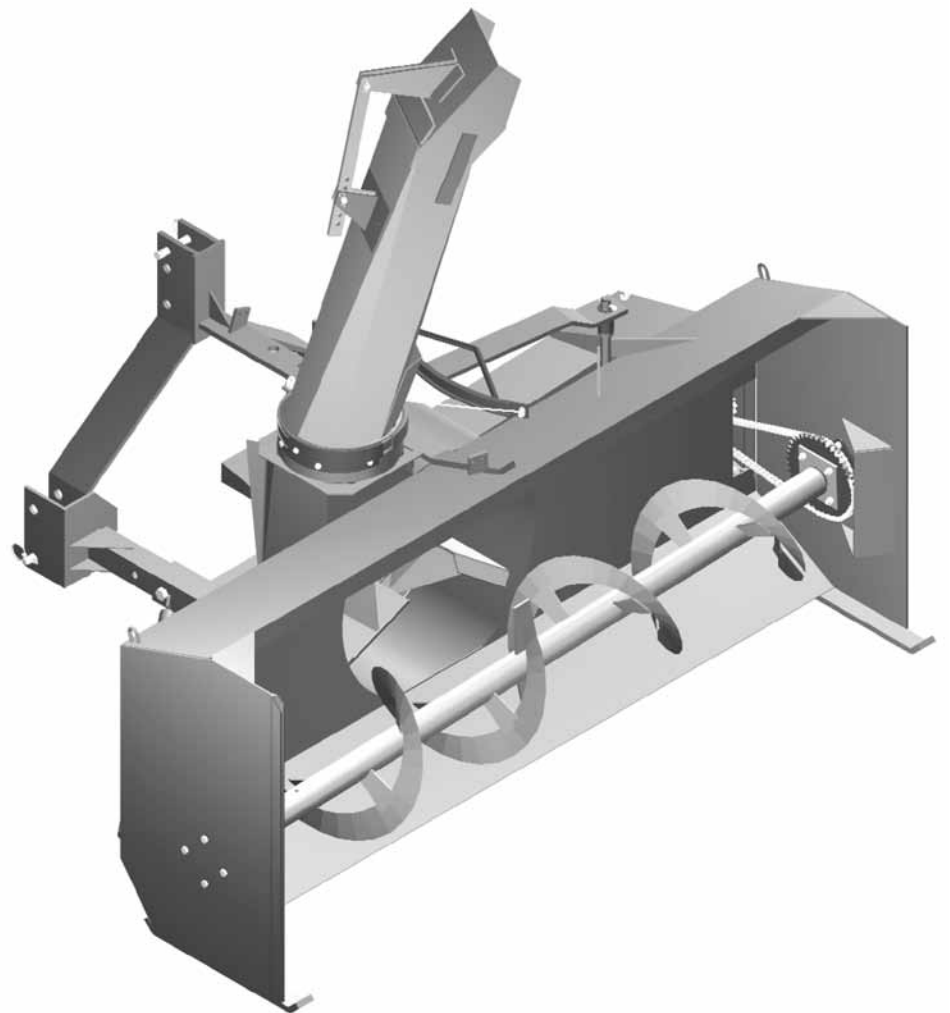




# OPERATOR AND PARTS MANUAL

## Snowblower

Model 8520





# Table of Contents

- Introduction .....4**
- Safety.....5**
  - Safety .....5
  - General Safety .....6
  - Start-up Safety .....6
  - Operation Safety .....6
  - Transport Safety .....7
  - Service and Maintenance Safety .....7
  - Storage Safety .....7
  - Safety Signs .....8
  - Safety Sign Installation .....8
- Assembly.....9**
  - Assembly Instructions .....9
- Operation ..... 10**
  - Manual Chute Control ..... 11
  - Hydraulic Snow Chute..... 11
- Parts Drawings.....12**
  - Snowblower Drawings .....12
  - Snowblower Parts List.....14
  - Manual Chute Control Drawing .....16
  - Manual Chute Control Parts List.....17
  - Hydraulic Snow Chute Drawing .....18
  - Hydraulic Snow Chute Parts List .....19
  - Gearbox Drawing .....20
  - Gearbox Parts List.....21
  - PTO Drawing .....22
  - PTO Parts List .....23
  - Cylinder Assembly Drawings & Parts List.....25
- Shipping Kit and Bundle Numbers .....26**
- Warranty .....28**

**Manufacturer’s statement:** for technical reasons Buhler Industries Inc. reserves the right to modify machinery design and specifications provided herein without any preliminary notice. Information provided herein is of descriptive nature. Performance quality may depend on soil fertility, applied agricultural techniques, weather conditions and other factors.

## Introduction

---

Allied has years of snowblower manufacturing expertise and thousands of acreages, farms and cities depend on Allied snowblowers. PTO-driven Allied snowblowers attach to 3-point hitch. This snowblower is supplied with category 2 pins with conversion bushings to category 3 available. Adjustable cup type skid shoes are standard on all models. Three blade fans are on all models. A 4 blade fan is also available as an option.

Shear bolt protection is provided at the sprocket to the main auger, and is easily accessed by removing wing nuts and cover at the back of the housing. A hitch system, which is quick-hitch compatible is standard on all models. Also available is an optional Hydraulic Spout Control. There is a shear bolt on the auger and on the PTO shaft to protect the machine from damage if a large object is picked up. Any smaller objects in the snow will be thrown with it and could cause serious injury. Do not allow anyone stand behind the tractor or in the area of the discharged snow.

Keep this manual handy for frequent reference. All new operators or owners must review the manual before using the equipment and at least annually thereafter. Contact your Allied Dealer if you need assistance, information, or additional copies of the manual. Visit our website at [www.buhlerindustries.com](http://www.buhlerindustries.com) for a complete list of dealers in your area.

The directions left, right, front and rear, as mentioned throughout this manual, are as seen facing in the direction of travel of the implement.

# Safety

---

## Safety Instructions

Remember, YOU are the key to safety. Good safety practices not only protect you, but also the people around you. Make these practices a working part of your safety program. Be certain that everyone operating this equipment is familiar with the recommended operating and maintenance procedures and follows all the safety precautions. Most accidents can be prevented. Do not risk injury or death by ignoring good safety practices.

The alert symbol is used throughout this manual. It indicates attention is required and identifies hazards. Follow the recommended precautions.



The safety alert symbol means...  
**ATTENTION! BECOME ALERT! YOUR SAFETY IS INVOLVED!**



### CAUTION

The caution symbol indicates a potentially hazardous situation that, if not avoided, may result in minor or moderate injury. It may also be used to alert against unsafe practices.



### WARNING

The Warning Symbol indicates a potentially hazardous situation that, if not avoided, could result in death or serious injury, and includes hazards that are exposed when guards are removed. It may also be used to alert against unsafe practices.



### DANGER

The Danger Symbol indicates an imminently hazardous situation that, if not avoided will result in death or serious injury. This signal word is to be limited to the most extreme situations, typically for machine components that, for functional purposes, cannot be guarded.

## General Safety Instructions

- Have a first-aid kit available for use and know how to use it.
- Have a fire extinguisher available, stored in a highly visible location, and know how to use it.
- Wear appropriate protective gear. This list may include but is not limited to:
  - hard hat
  - protective shoes with slip resistant soles
  - protective glasses or goggles
  - heavy gloves
  - wet weather gear
  - hearing protection
  - respirator or filter mask
- Read and understand the Operator's Manual and all safety signs before operating, servicing, adjusting, repairing, or unplugging the equipment.
- Do not attempt any unauthorized modifications to your Farm King product as this could affect function or safety, and could affect the life of the equipment.
- Never start or operate the snowblower except from the operator's station on the power unit.
- Inspect and clean the working area before operating.
- Keep hands, feet, clothing, and hair away from moving parts.
- Ensure bystanders are clear of the area before operating.

## Start-Up Safety

- Do not let inexperienced operators or children run this equipment.
- Place all tractor and machine controls in neutral before starting.
- Operate only with ROPS and seatbelt equipped tractors.
- Do not operate inside a building unless there is adequate ventilation.
- Ensure all shields are in place and in good condition before operating.
- Stay clear of PTO shaft and machine when engaging PTO.

## Operation Safety

- Do not permit riders.
- Do not wear loose fitting clothing during operation.
- Do not allow anyone other than the operator close to the Auger when in operation.
- Stay clear of snowblower augers.
- Stay clear of snowblower discharge chute. Rocks or debris can be picked up and thrown.
- Never operate over 540 PTO rpm speed.
- Never operate equipment in the raised position.

## Transport Safety

- Review Transport Safety instructions in tractor manual before moving.
- Check with local authorities regarding transport on public roads. Obey all applicable laws and regulations.
- Make sure the SMV (Slow Moving Vehicle) emblem and all the lights and reflectors that are required by the local highway and transport authorities are in place, are clean, and can be seen clearly by all overtaking and oncoming traffic.
- Never have the equipment in operation during transport.
- Always travel at a safe speed.

## Service and Maintenance Safety

- Stop engine, set brake, remove ignition key, and wait for all moving parts to stop before servicing, adjusting, repairing, or unplugging.
- Support the equipment with blocks or safety stands before working beneath it.
- Follow good shop practices including:
  - keep service area clean and dry
  - be sure electrical outlets and tools are properly grounded
  - use adequate light for the job.
- Use only tools, jacks, and hoists of sufficient capacity for the job.
- Replace and secure all shields removed during servicing before operating.
- Use heavy leather gloves to handle sharp objects.
- Check hydraulics regularly for leaks. Use cardboard to look for leaks, and use hand and eye protection.
- Relieve pressure on hydraulic system before repairing or adjusting.

## Storage Safety

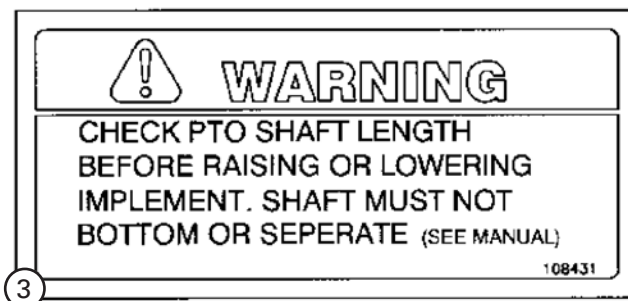
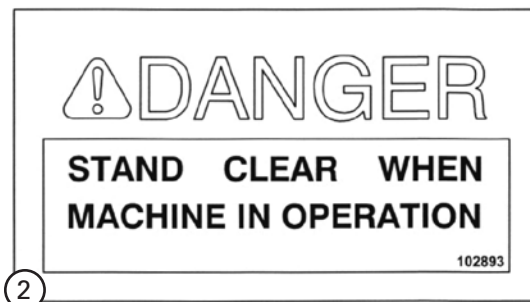
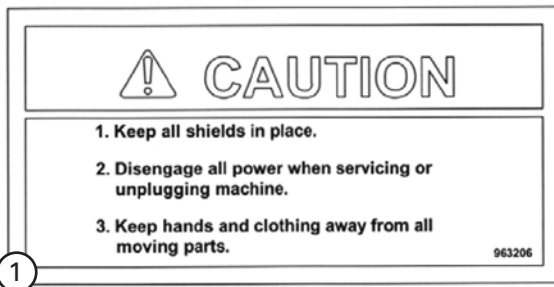
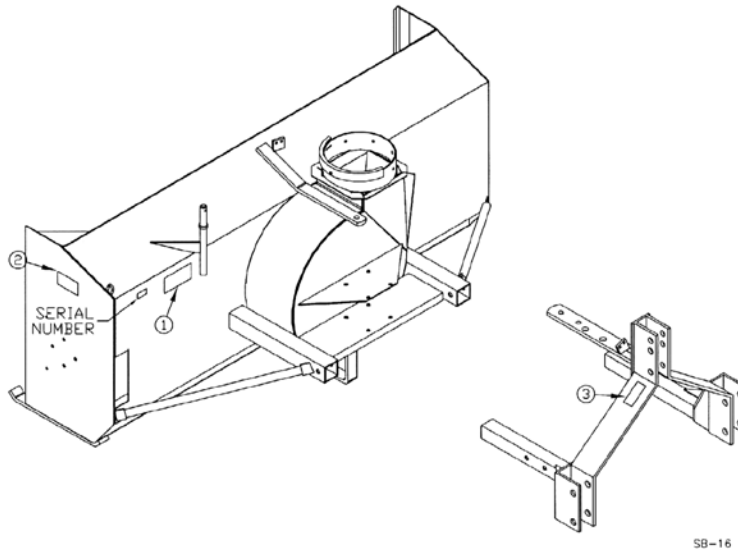
- Store the unit in an area away from human activity.
- Do not permit children to play on or around the stored machine.
- Support the frame on stands and blocks to provide a secure base.

## Safety Signs

- The following illustration shows the approximate location and detail of safety signs.
- Keep all safety signs clean and legible and replace any that are damaged or missing.
- When original parts are replaced, any safety signs affixed to those parts should be replaced as well. Replacement safety signs are available from your local dealer.

## Installation

- To install safety signs, ensure the installation area is clean and dry. Decide on the exact position before you remove the backing paper. Remove the smallest portion of the split backing paper and align over the specified area. Carefully press in place.
- Slowly peel back the remaining paper and smooth the remaining portion in place. Small air pockets can be pierced with a pin and smoothed out.
- Replace safety signs immediately should they become damaged, torn or illegible. Obtain replacements from your authorized dealer using the part numbers shown.





## Assembly Instructions

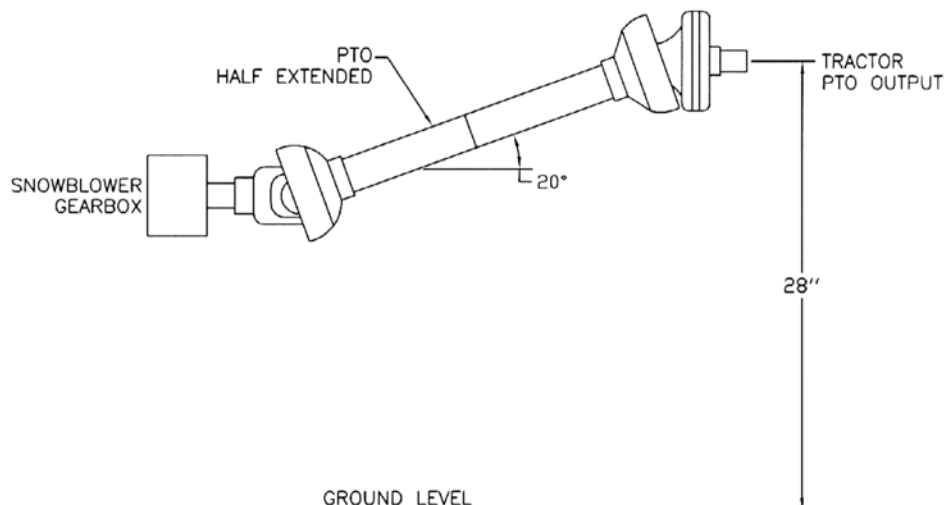
1. Assemble the snow chute, referring to instructions under the appropriate heading for "manual chute" or "hydraulic chute".
2. The snowblower is shipped with lower three point hitch pins for a category 2 hitch.
3. Using tape or bright colored marking pen, mark on the outer shields of the PTO, the position where the shaft is completely pushed together and the position where you have a 4" overlap. Watch these marks when moving the blower through all possible operating angles to see that the PTO shaft stays within this range.
4. With the engine on the tractor shut off, attach the PTO shaft. The tractor end has a standard 6-spline end with a spring loaded locking collar. The snowblower end has a clamp style yoke with a 3/8" keyway. Slide the yoke onto the gearbox shaft with the 3/8" shaft supplied. Lock the yoke in place with a 1/2" x 3" hex bolt and lock nut fitted through the groove in the gearbox shaft. After tightening the bolt, insert and tighten the 3/8" socket set screw supplied.



### CAUTION

Always check to see that both ends of the PTO shaft are securely attached every time the snowblower is used. This should always be done with the tractor shut off.

5. Check that the PTO shaft does not bottom or separate with the snowblower in the extreme high and low positions. A longer optional PTO shaft is available if the standard shaft is too short. Check for free movement of all parts in various raised positions: particularly the PTO shaft.
6. **NOTE:** Excessive u-joint wear and shear pin failure may result if the PTO angle exceeds 20°. The drawing below gives an approximate way to check this angle. With the PTO half extended, the tractor output should not be over 28 inches high. Use 30 inches if the PTO is nearly fully extended and 26 inches if it is nearly compressed.



## Operation Instructions

---

1. Adjust the top link of the tractor hitch so that the snowblower is level when resting on the ground.
2. Adjust the lower link sway chains or blocks on the tractor to restrict side movement of the blower when operating.
3. Run the blower at low RPM to check operation.
4. The snowblower has two shear bolts to protect the tractor and blower in case a large object enters the blower. PTO shear bolt – two 5/16" x 1" (grade 5), auger shear bolt - 5/16" x 1-1/4" (grade 5). These bolts must be checked every five operating hours and kept tight to prevent wear of the bolts and bolt holes.
5. Daily check the auger bearing bolts on each side of the snowblower, the drive sprocket bearings and the bolt holding the blower fan on the gearbox shaft.
6. Grease the PTO and bearings every 40 hours of operation.
7. A little engine oil applied to the chain daily can double the life of the drive chain.
8. Occasionally apply a light winter grade oil to the chute bottom ring to ease turning.
9. Always disengage the PTO before dismounting from the tractor.



### CAUTION

Always check to see that both ends of the PTO shaft are securely attached as per instructions every time you are preparing to use the snowblower.

10. Shear sprocket: The shear sprocket (#6) should be checked at the beginning of every season to make sure it will spin freely. With time this sprocket could corrode and seize which will not allow the shear bolt to break if something jams in the snowblower auger. Clean to loosen if necessary.
11. Gearbox: Use any 80-90 gear oil or multigrade with 80 minimum.
12. When replacing bearings or tightening a loose bearing collar, always tighten collar in the direction of shaft rotation using a center punch or similar tool.

## Manual Chute Control

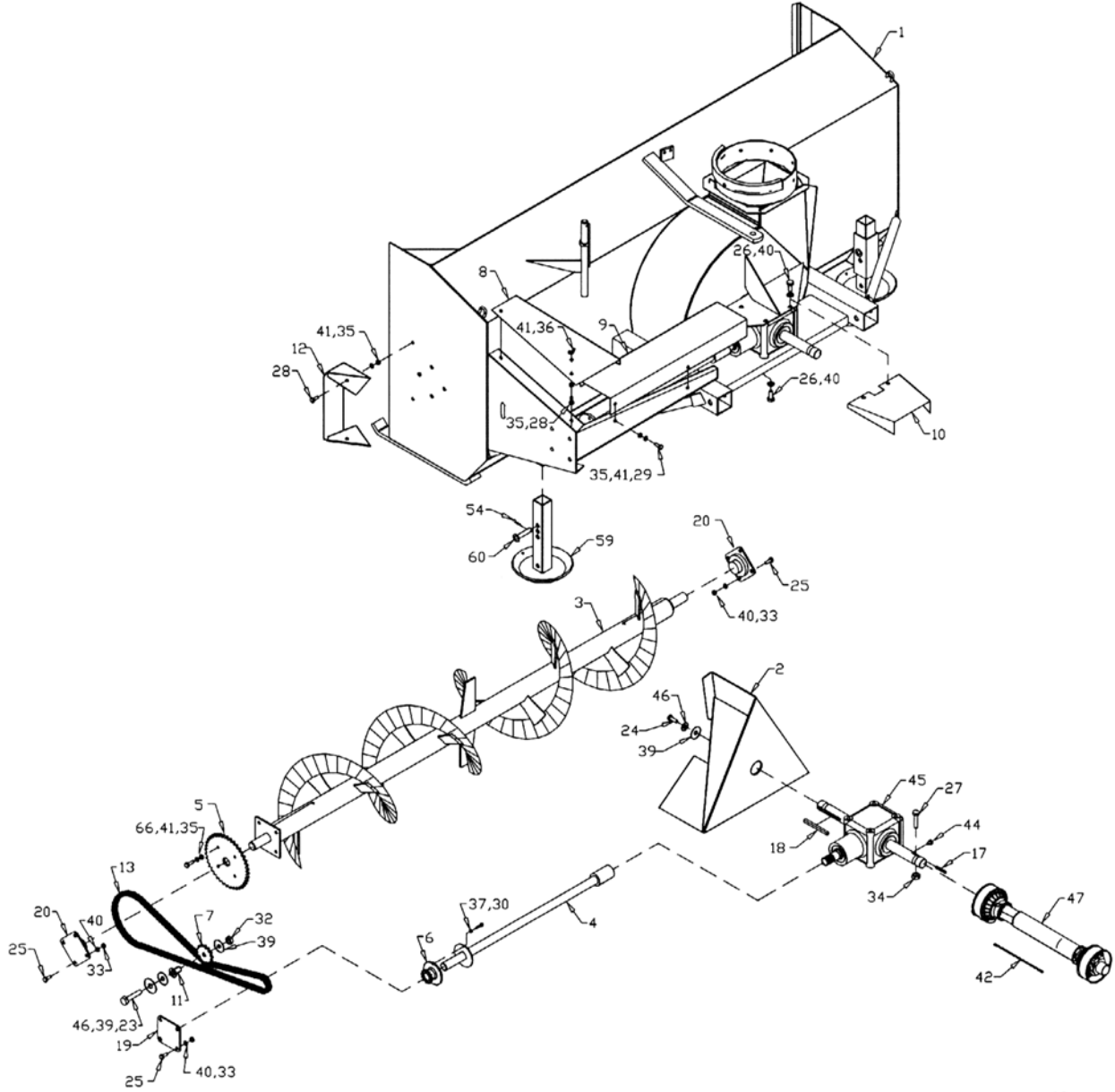
1. Remove spout clamp and install chute.
2. Mount handle brackets to snowblower & hitch.
3. Insert handle extension, placing a 1" flat washer on both sides of the front handle bracket; secure with 3/16 cotter pin.
4. Attach handle to handle extension.
5. Turn chute away from handle.
6. Attach end of cable with cable bolt.
7. Wrap cable clockwise around chute and attach cable to tab on chute with cable clamp.
8. Wrap cable around handle extension 5 complete turns. Then secure other cable bolt.

## Hydraulic Snow Chute

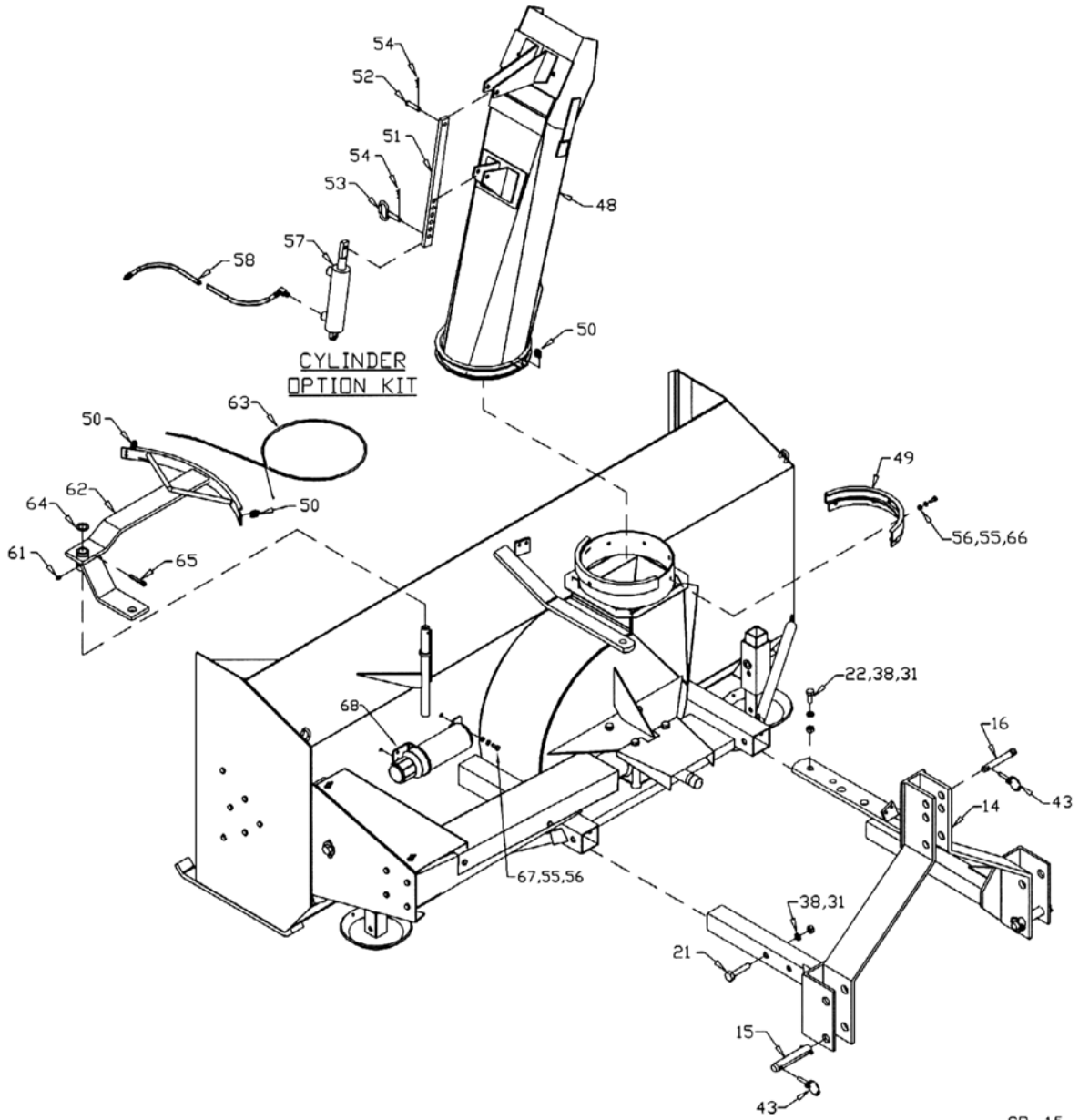
**NOTE:** Before mounting chute, apply a heavy coating of light grease to chute ring.

1. Remove spout clamp and mount chute.
2. Mount pivot arm. **NOTE:** Flat Washers are supplied for height spacer if required.
3. Connect one end of cable to pivot arm with cable clamp.
4. Wrap cable completely around chute ring. Then return to pivot arm and connect with cable clamp.
5. Turn chute 90° from position illustrated so opening of chute is facing opposite direction of pivot arm.
6. Attach cable to tab with 1/4" cable clamp.
7. Connect 8" stroke hydraulic cylinder between hitch and pivot arm.
8. **NOTE:** A hydraulic cylinder and hose kit to control the spout deflector is available as an option.

Snowblower Drawings



SB-14



SB-15

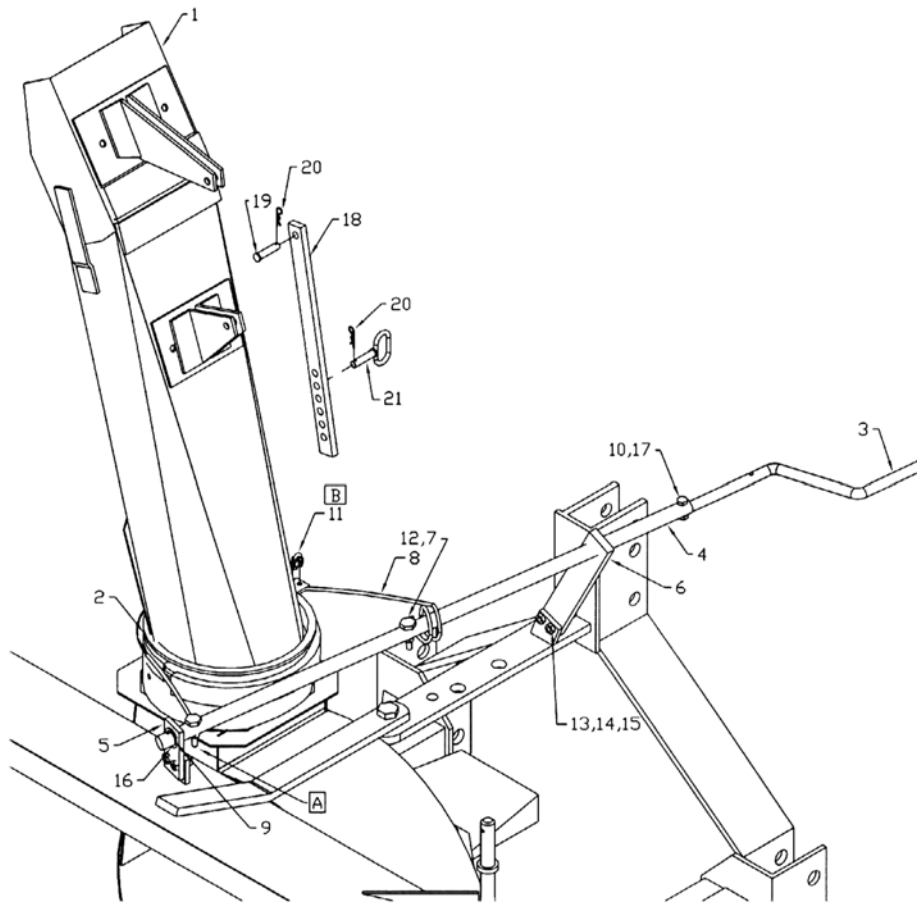
## When Ordering Parts

Always give your dealer the Model, Color and Serial Number of your machine to assist them in ordering and obtaining the correct parts. Use the exploded view and tabular listing of the area of interest to exactly identify the required part.

Item	Part Number	Description
1	905612	Snowblower Main Weldment
2	21598	Fan Weldment
3	965418	Auger Weldment
4	965420	Drive Shaft
5	965912	40T Sprocket, #60 1-3/8" Bore
6	965914	13T Sprocket, #60 1-1/4" Bore
7	965962	Idler Sprocket, 13T, #60, 5/8" Bore
8	23393	Shear Pin Shield
9	23395	Drive Shaft Shield
10	109585	PTO Gearbox Shield
11	965969	Idler Spacer
12	22695	Chain Cover
13	965423	Roller Chain (#60 x 98 Link w/ Conn)
14	FX9700	Hitch Weldment
15	965966	Quick Hitch Lift Pin (Cat. 2)
16	965910	Top Link Pin (Cat. 2)
17	101528	Drive Shaft Key (3/8" x 1-5/8")
18	902377	Key (Fan) (3/8" x 4 3/4")
19	965433	1-1/4" Bearing Assembly (UCF207-20)
	961676	1-1/4" Bearing Only
	810754	Flange Housing
20	965426	1-3/8" Bearing Assembly
	965430	1-3/8" Bearing Only
21	84336	3/4" x 4" Hex Bolt (pl)
22	84467	3/4" x 2" Hex Bolt (pl)
23	81671	5/8" x 4" Hex Bolt (pl)
24	84268	5/8" x 1-1/2" Hex Bolt (pl)
25	84277	1/2" x 1-1/2" Hex Bolt (pl)
26	81619	1/2" x 1" Hex Bolt (pl)
27	81627	1/2" x 3" Hex Bolt (pl)
28	86170	3/8" x 1" Hex Bolt (pl)
29	84072	3/8" x 3/4" Hex Bolt (pl)
30	81552	5/16" x 1-1/4" Gr. 5 Hex Bolt (pl)
31	81700	3/4" Hex Nut (pl)
32	81676	5/8" Hex Nut (pl)
33	81636	1/2" Hex Nut (pl)

Item	Part Number	Description
34	812364	1/2" Lock Nut (pl)
35	81592	3/8" Hex Nut (pl)
36	84217	3/8" Wing Nut (pl)
37	812362	5/16" Lock Nut (pl)
38	81701	3/4" Lock Washer (pl)
39	81678	5/8" B.S. Flat Washer (pl)
40	81637	1/2" Lock Washer (pl)
41	81593	3/8" Lock Washer (pl)
42	936402	PTO Safety Chain
43	965911	7/16" Linch Pin
44	988999	3/8" x 3/8" Socket Set Screw
45	BU50505	Gearbox w/o Oil
46	81677	5/8" Lock Washer (pl)
47	F842	PTO Assembly (#242-16216)
48	965648	Spout Weldment
49	965970A	Spout Clamp
50	961658	1/4" Cable Clamp
51	965646	Spout Adjustment Bar
52	961876	1/2" x 1-1/2" Clevis Pin (pl)
53	903523	Adjustment Pin Weldment
54	961012	#16 Hair Pin Clip
55	81569	5/16" Lock Washer (pl)
56	81568	5/16" Hex Nut GR2 (pl)
57	24930	Cylinder 1.75"Dia x 5.0 - 9/16" ORB
58	115370	3/8" x 108 Hyd Hoses C/W Fittings
59	902407	Skid Plate Weldment
	F6707	Skid Plate Bundle
60	900712	Skid Pin Weldt (pl)
61	967164	Pound-In Grease Nipple
62	108979	Swivel Arm
63	107780	Chute Cable 1/4" x 71"
64	967140	1" x 10ga Rim Washer (pl)
65	81210	1/4" x 2" Cotter Pin (pl)
66	812026	5/16" x 1" Hex Bolt (pl)
67	81549	5/16" x 3/4" Hex Bolt (pl)
68	909277	Manual Holder

### Manual Chute Control Drawing

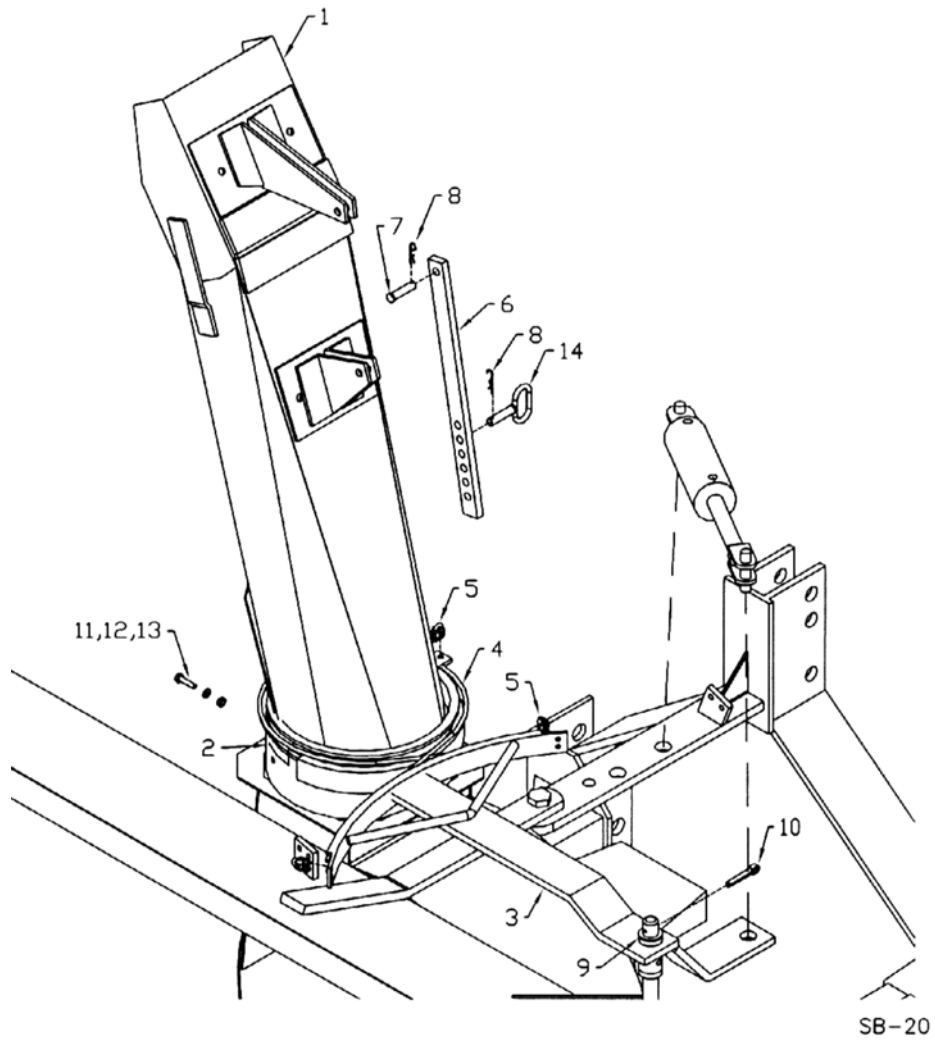


SB-17



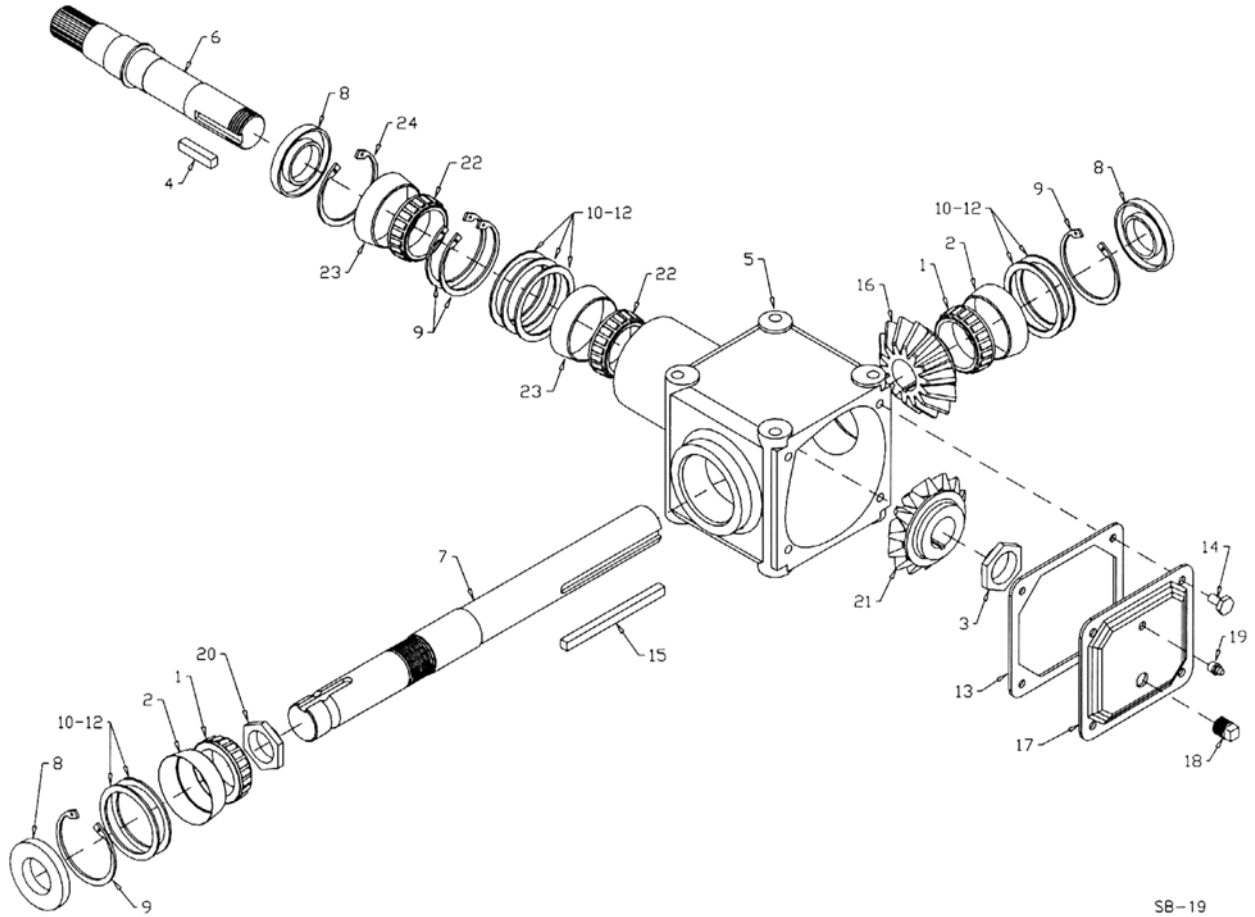
Item	Part Number	Description
1	965648	Spout Weldment
2	965970A	Spout Clamp
3	102157	Crank Handle
4	108014	Handle Extension
5	108015	Handle Bracket
6	108020	Handle Bracket
7	108019	Cable Bolt
8	108265	Chute Cable 3/16" x 66"
9	81207	3/16" x 2" Cotter Pin
10	811631	1/4" x 1-1/2" Hex Bolt (pl)
11	961658	1/4" Cable Clamp
12	812363	3/8" Lock Nut (pl)
13	81552	5/16" x 1-1/4" Hex Bolt (pl)
14	81568	5/16" Hex Nut (pl)
15	81569	5/16" Lock Washer (pl)
16	84522	1" SAE Flat Washer (pl)
17	84498	1/4" Lock Nut (pl)
18	965646	Spout Adjustment Bar
19	961876	1/2" x 1-1/2" Clevis Pin
20	961012	#16 Hair Pin Clip
21	903523	Adjustment Pin Weldment

### Hydraulic Chute Control



Item	Part Number	Description
1	965648	Discharge Chute
2	965970A	Spout Clamp
3	108979	Cable Pivot Arm
4	107780	Chute Cable
5	961658	1/4" Cable Clamp
6	965646	Spout Adjustment Bar
7	961876	1/2" x 1-3/8" Clevis Pin
8	961012	#16 Hair Pin Clip
9	967140	1" Flat Washer
10	812435	1/4" x 1-3/4" Cotter Pin
11	81552	5/16" x 1-1/4" Hex Bolt (pl)
12	81569	5/16" Lock Washer (pl)
13	81568	5/16" Hex Nut (pl)
14	903523	Adjustment Pin Weldment

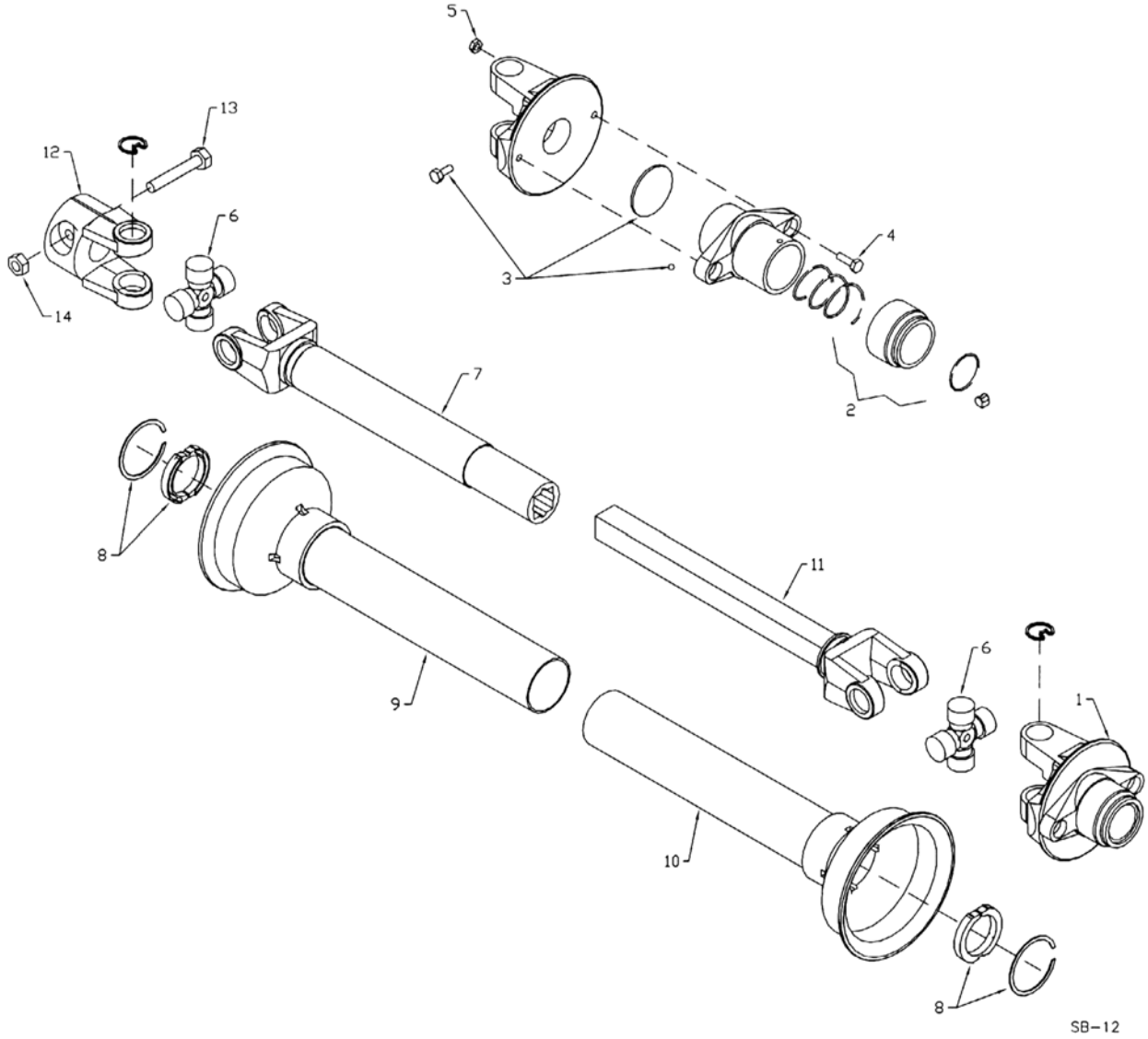
### Gearbox Drawing



SB-19

Item	Part Number	Description
1	BU575901	Bearing Cone (13687)
2	BU575902	Bearing Cup (13620)
3	BU50444	Staking Lock Nut
4	BU50417-1	Key
5	BU50310	Gear Box Casting
6	BU50502	Pinion Shaft
7	BU50507	Cross Shaft
8	BU50422-1	Oil Seal
9	BU50415	Retaining Ring
10	BU50414-1	0.005 Shim
11	BU50414-2	0.010 Shim
12	BU50414-3	0.020 Shim
13	BU50458	Gasket
14	BU500397-6	5/16" x 5/8" Hex Bolt
15	BU50429	Key
16	BU50329	Bevel Gear
17	BU50457	Cover Plate
18	BU500089-3	3/8" Pipe Plug
19	BU500167-1	1/8" Relief Valve
20	BU50428	Staking Lock Nut
21	BU50331	Bevel Gear
22	BU575906	Bearing Cone (14137A)
23	BU575907	Bearing Cup (14276)
24	BU278811	Retaining Ring

PTO Drawing



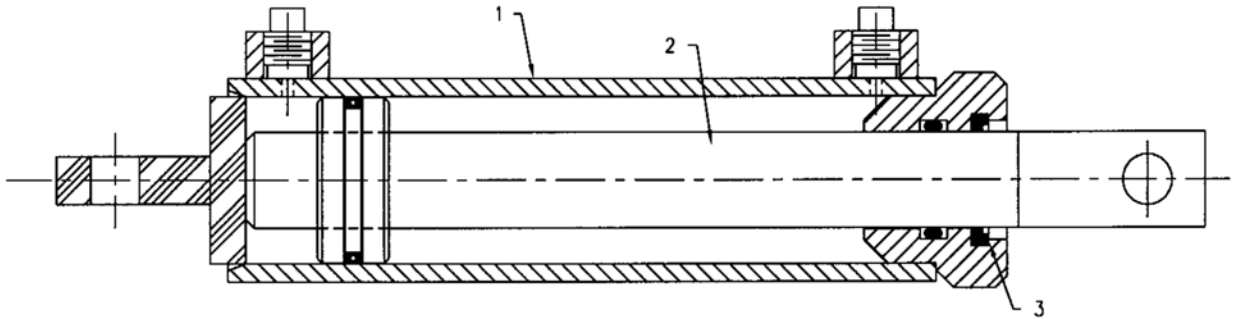
SB-12

Item	Part Number	Description
Standard		
	F842	Shaft Complete
	936263	Tractor Half of PTO (Shear)
	936264	Implement Half of PTO (Clamp Yoke)
1	936277	Shear Assembly
2	936199	Safety Slide Lock Repair Kit (Collar, Spring, Ret. Ring, 2-Pawls)
3	936249	Shear Assembly Repair Kit (3/8" x 1/2" Bolt, Lube, Blank, 31 - 1/4" Balls)
4	903296	Shear Bolt - 5/16" x 1" (Grade 5) (Pack of 10)
5	812362	5/16" Lock Nut
6	936025	Repair Kit (Option)
	906504	Extended Life Repair Kit (Std)
7	936270	Yoke & Tube
8	936319	Bearing & Snap Ring Kit
9	936272	Inner Shield
10	936273	Outer Shield
11	936274	Yoke & Shaft
12	936269	Clamp Yoke
13	81627	1/2" x 3" Hex Bolt (pl)
14	812364	1/2" Lock Nut (pl)
21	BU50331	Bevel Gear
22	BU575906	Bearing Cone (14137A)
23	BU575907	Bearing Cup (14276)
24	BU278811	Retaining Ring

Item	Part Number	Description
Long		
	F844	Shaft Complete
	936285	Tractor Half of PTO (Shear)
	936280	Implement Half of PTO (Clamp Yoke)
1	936277	Shear Assembly
2	936199	Safety Slide Lock Repair Kit (Collar, Spring, Ret. Ring, 2-Pawls)
3	936249	Shear Assembly Repair Kit (3/8" x 1/2" Bolt, Lube, Blank, 31-1/4" Balls)
4	903296	Shear Bolt - 5/16" x 1" (Grade 5) (Pack of 10)
5	812362	5/16" Lock Nut
6	936025	Repair Kit (Option)
	906504	Extended Life Repair Kit (Std)
7	936281	Yoke & Tube
8	936319	Bearing & Snap Ring Kit
9	936282	Inner Shield
10	936283	Outer Shield
11	936284	Yoke & Shaft
12	936269	Clamp Yoke
13	81627	1/2" x 3" Hex Bolt (pl)
14	812364	1/2" Lock Nut (pl)



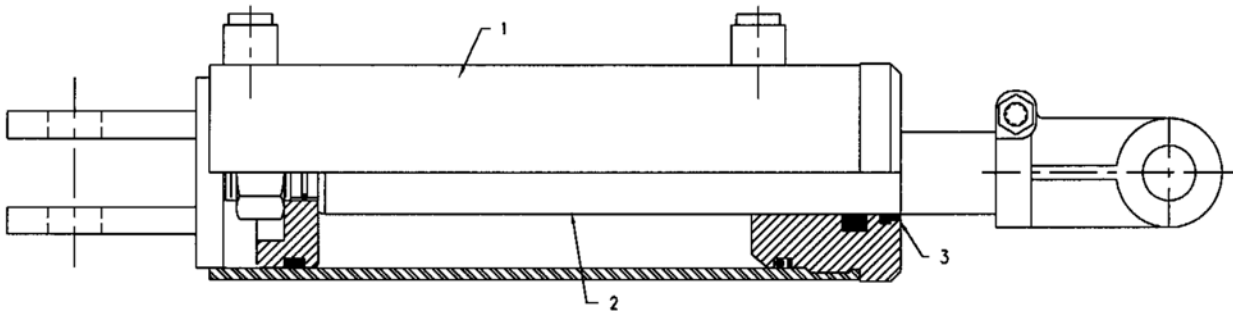
### 1.75 x 5 Cylinder Assembly Drawing



24930

Item	Part Number	Description
	24930	Cyl Complete
1	115367	Tube Weldt
2	112104	Shaft Weldt 1.0 Dia
3	X2669	Seal Kit

### 3.5 x 8 Cylinder Assembly Drawing



24803

Item	Part Number	Description
	24803	Cyl Complete
1	24804	Tube Weldt
2	113934	Piston Rod 1.5 Dia
3	X2098	Seal Kit

## Shipping Kit and Bundle Numbers

The following is a list of Kit Numbers for this product and the Bundle Numbers, Descriptions, and Quantities for each Kit.

Quantity	Bundle Number	Description
YC8520 - 85" Snowblower w/ Hydraulic Control		
1	FX0091	Body Assembly
1	FX9700	Hitch

### Optional Bundle Numbers

The following is a list of options available for the Kits listed above.

1	FX8044	Hand Crank Kit for 85" Only
1	FX7880	Hydraulic Chute Control Kit 85"
1	F842	Standard PTO for 85" Only
1	F844	36" Optional Long PTO
1	F9116	Hydraulic Cylinder & Hose Kit
1	F9117	Spout Deflector Cylinder & Hose Kit



## Allied by Farm King Limited Warranty

This document limits your warranty rights.

### **Base Limited Warranty**

Buhler Industries Inc. provides this warranty only to original retail purchasers of its product. Buhler Industries Inc. warrants to such purchasers that all Buhler Industries Inc. manufactured parts and components used and serviced as provided for in the Operator's Manual shall be free from defects in materials and workmanship for a period following delivery to the original retail purchaser of 12 months (80 days for commercial applications). This limited warranty applies only to those parts and components manufactured by Buhler Industries Inc. Parts and components manufactured by others are subject to their manufacturer's warranties, if any.

Buhler Industries Inc. will fulfill this limited warranty by, at its option, repairing or replacing any covered part that is defective or is the result of improper workmanship, provided that the part is returned to Buhler Industries Inc. within thirty (30) days of the date that such defect or improper workmanship is, or should have been, discovered. Buhler Industries Inc. reserves the right to either inspect the product at the buyer's location or have it returned to the factory for inspection. Parts must be returned through the selling representative and the buyer must prepay transportation charges.

Buhler Industries Inc. will not be responsible for repairs or replacements that are necessitated, in whole or part, by the use of parts not manufactured by or obtained from Buhler Industries Inc. Under no circumstances are component parts warranted against normal wear and tear. There is no warranty on product pump seals, product pump bearings, rubber product hoses, pressure gauges, or other components that require replacement as part of normal maintenance. Also: Buckets and Bucket Tines carry no warranty, Bent Spears carry no warranty, Snowblower Fan Shafts carry no warranty, Mower Blades carry no warranty, Portable Auger Parts Have Two (2) Year Warranty, Loader Parts Have Two (2) Year Warranty. The purchaser is solely responsible for determining suitability of goods sold. This warranty is expressly in lieu of all other warranties expressed or implied. Buhler Industries Inc. will in no event be liable for any incidental or consequential damages whatsoever. Nor for any sum in excess of the price received for the goods for which liability is claimed.

### **Repair Parts Limited Warranty**

Buhler Industries Inc. warrants Farm King replacement parts purchased after the expiration of the Buhler Industries Inc. Limited Warranty, and used and serviced as provided for in the Operator's Manual, to be free from defects in materials or workmanship for a period of thirty (30) days from the invoice date for the parts. Buhler Industries Inc. will fulfill this limited warranty by, at its option, repairing or replacing any covered part that is defective or is the result of improper workmanship, provided that the part is returned to Buhler Industries Inc. within thirty (30) days of the date that such defect or improper workmanship is, or should have been, discovered. Such parts must be shipped to Buhler Industries Inc. at the purchaser's expense.

### **What is Not Covered**

Under no circumstances does this limited warranty cover any components or parts that have been subject to the following: negligence; alteration or modification not approved by Buhler Industries Inc.; misuse; improper storage; lack of reasonable and proper maintenance, service, or repair; normal wear; damage from failure to follow operating instructions; accident; and/or repairs that have been made with parts other than those manufactured, supplied, and or authorized by Buhler Industries Inc.

**Authorized Dealer and Labor Costs**

Repairs eligible for labor under this limited warranty must be made by Buhler Industries Inc. or an authorized Farm King dealer. Buhler Industries Inc. retains the exclusive discretion to determine whether it will pay labor costs for warranty repairs or replacements, and the amount of such costs that it will pay and the time in which the repairs will be made. If Buhler Industries Inc. determines that it will pay labor costs for warranty work, it will do so by issuing a credit to the dealer's or distributor's account. Buhler Industries Inc. will not approve or pay invoices sent for repairs that Buhler Industries Inc. has not previously approved. Warranty service does not extend the original term of this limited warranty.

**Warranty Requirements**

To be covered by warranty, each Farm King new product must be registered with Buhler Industries Inc. within thirty (30) days of delivery to original retail purchaser. If the customer decides to purchase replacement components before the warranty disposition of such components is determined, Buhler Industries Inc. will bill the customer for such components and then credit the replacement invoice for those components later determined to be covered by this limited warranty. Any such replacement components that are determined not be covered by this limited warranty will be subject to the terms of the invoice and shall be paid for by the purchaser.

**Warranty Claims:**

Warranty requests must be prepared on Buhler Industries Inc. Warranty Claim Forms with all requested information properly completed. Warranty Claims must be submitted within a thirty (30) day period from date of failure repair.

**Warranty Labor:**

Any labor subject to warranty must be authorized by Buhler Industries Inc. The labor rate for replacing defective parts, where applicable, will be credited at 100% of the dealer's posted shop rate.

**Exclusive Effect of Warranty and Limitation of Liability**

TO THE EXTENT PERMITTED BY LAW, BUHLER INDUSTRIES INC. DISCLAIMS ANY WARRANTIES, REPRESENTATIONS, OR PROMISES, EXPRESS OR IMPLIED, AS TO THE QUALITY, PERFORMANCE, OR FREEDOM FROM DEFECT OF THE COMPONENTS AND PARTS COVERED BY THIS WARRANTY AND NOT SPECIFICALLY PROVIDED FOR HEREIN.

TO THE EXTENT PERMITTED BY LAW, BUHLER INDUSTRIES INC. DISCLAIMS ANY IMPLIED WARRANTIES OF MERCHANTABILITY AND FITNESS FOR A PARTICULAR PURPOSE ON ITS PRODUCTS COVERED HEREIN, AND DISCLAIMS ANY RELIANCE BY THE PURCHASER ON BUHLER INDUSTRIES INC.'S SKILL OR JUDGMENT TO SELECT OR FURNISH GOODS FOR ANY PARTICULAR PURPOSE. THE PURCHASER'S ONLY AND EXCLUSIVE REMEDIES IN CONNECTION WITH THE BREACH OR PERFORMANCE OF ANY WARRANTY ON PRODUCTS MANUFACTURED BY BUHLER INDUSTRIES INC. ARE THOSE SET FORTH HEREIN. IN NO EVENT SHALL BUHLER INDUSTRIES INC. BE LIABLE FOR INCIDENTAL OR CONSEQUENTIAL DAMAGES (INCLUDING, BY WAY OF EXAMPLE ONLY AND NOT LIMITATION, LOSS OF CROPS, LOSS OF PROFITS OR REVENUE, OTHER COMMERCIAL LOSSES, INCONVENIENCE, OR COST OF REPLACEMENT OF RENTAL EQUIPMENT). IN NO EVENT SHALL FARM KING'S CONTRACT OR WARRANTY LIABILITY EXCEED THE PURCHASE PRICE OF THE PRODUCT.

(Note that some provinces or states do not allow limitations on how long an implied warranty lasts or the exclusion or limitation of incidental or consequential damages, so the above limitations and exclusion may not apply to you.) This warranty gives you specific legal rights and you may also have other rights, which vary from province to province or state to state.

Buhler Industries Inc. neither assumes nor authorizes any person or entity, including its selling representatives, to assume any other obligations or liability in connections with the sale of covered equipment, or to make any other warranties, representations, or promises, express or implied, as to the quality, performance, or freedom from defect of the components and parts covered herein. No one is authorized to alter, modify, or enlarge this limited warranty, or its exclusions, limitations and reservations.

Corrections of defects and improper workmanship in the manner, and for the applicable time periods, provided for herein shall constitute fulfillment of all responsibilities of Buhler Industries Inc. to the purchaser, and Buhler Industries Inc. shall not be liable in negligence, contract, or on any other basis with respect to the subject equipment.

This limited warranty is subject to any existing conditions of supply which may directly affect Buhler Industries Inc.'s ability to obtain materials or manufacture replacement parts.

Buhler Industries Inc. reserves the right to make improvements in design or changes in specifications to its products at anytime, without incurring any obligation to owners of units previously sold.

**Government Legislation:**

Warranty terms and conditions are subject to provincial or state legislation.

**Important Note:** This warranty does not apply to rentals.



[www.farm-king.com](http://www.farm-king.com)



1330 43rd Street NW  
Fargo, ND USA 58102  
Ph.: 701.282.7014 | Fax: 701.282.5865  
Toll Free: 888.524.1004  
E-mail: [info@buhler.com](mailto:info@buhler.com)  
[www.farm-king.com](http://www.farm-king.com)

Equipment shown is subject to change without notice.  
©2010 Buhler Trading Inc. Printed in USA. TSX:BUI

**bühler** | a division of Buhler Industries Inc.