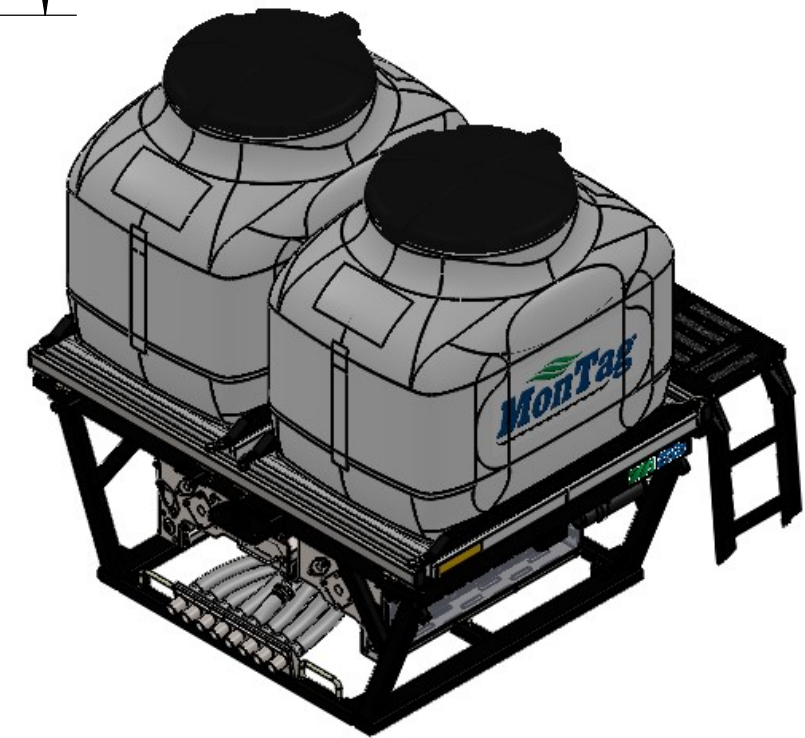



**50 CU. FT. TANK**



		<b>MONTAG MFG</b> 3816 461st AVE, Emmetsburg, IA 50536		P: 712-852-4572 F: 712-852-4574 <a href="http://www.montagmfg.com">www.montagmfg.com</a>																		
		DO NOT SCALE DRAWING UNLESS OTHERWISE SPECIFIED: DIMENSIONS ARE IN INCHES  TOLERANCES ARE AS FOLLOWS: FRACTIONAL ± 1/32 ANGULAR: ± 1 TWO PLACE DECIMAL ±.03 THREE PLACE DECIMAL ±.003		<b>CONFIDENTIAL:</b> This drawing and design is proprietary and confidential to Montag Manufacturing, Inc.		TITLE: Gen II 2208 - 8 Row/2"/2 Ton/1 Bin/1 Section/1 Product/Mechanical Slidegate/A Platform/No Scales/White Tank																
MATERIAL N/A		COMMENTS:		<table border="1"> <thead> <tr> <th></th> <th>NAME</th> <th>DATE</th> </tr> </thead> <tbody> <tr> <td>DRAWN</td> <td>KJW</td> <td>12/19/18</td> </tr> <tr> <td>APPROVED</td> <td>SEC</td> <td>05/08/19</td> </tr> </tbody> </table>			NAME	DATE	DRAWN	KJW	12/19/18	APPROVED	SEC	05/08/19	<table border="1"> <tr> <td>SIZE</td> <td>PART. NO.</td> <td>REV</td> </tr> <tr> <td><b>A</b></td> <td><b>GEN II 2208</b></td> <td><b>A-02</b></td> </tr> </table>		SIZE	PART. NO.	REV	<b>A</b>	<b>GEN II 2208</b>	<b>A-02</b>
	NAME	DATE																				
DRAWN	KJW	12/19/18																				
APPROVED	SEC	05/08/19																				
SIZE	PART. NO.	REV																				
<b>A</b>	<b>GEN II 2208</b>	<b>A-02</b>																				
FINISH N/A		SCALE: 1:36 WEIGHT: 1839		SHEET 1 OF 1																		