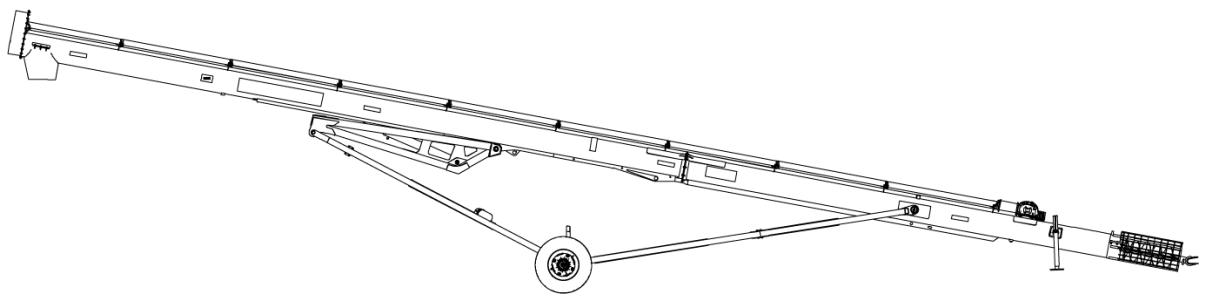


Farm King

OPERATOR AND PARTS MANUAL

13" CONVENTIONAL AUGER

Models 1342, 1352, 1362



ECO CHANGE LOG

ECO	DATE ISSUED	PRODUCT	MANUAL AFFECTED	MANUAL UPDATED
20-001	1/7/2020	C13	Y	7/29/2020
20-009	1/31/2020	C13	Y	7/29/2020
20-014	2/20/2020	C13	Y	7/29/2020
20-015	2/24/2020	C13	Y	7/29/2020
20-018	2/28/2020	C13	Y	7/29/2020
20-022	3/9/2020	C13	Y	7/29/2020
20-044	5/11/2020	C13	Y	7/29/2020
20-048	6/8/2020	C13	Y	7/29/2020
20-051	6/19/2020	C13	Y	7/29/2020

Farm King



TABLE OF CONTENTS

Manufacturer's Statement: For technical reasons, Farm King reserves the right to modify machinery design and specifications provided herein without any preliminary notice. Information provided herein is of descriptive nature. Performance quality may depend on soil fertility, applied agricultural techniques, weather conditions, and other factors.

WARRANTY REGISTRATION FORM.....	3
INTRODUCTION.....	5
SAFETY.....	11
ASSEMBLY.....	25
OPERATION.....	79
MAINTENANCE.....	93
PARTS IDENTIFICATION.....	105
SPECIFICATIONS.....	179
WARRANTY.....	185

Farm King



WARRANTY REGISTRATION FORM

This form must be filled out by the dealer and signed by both the dealer and the customer at the time of delivery.

Customer Name:	
Customer Address:	
City:	Prov / State:
Postal / Zip Code:	Phone:

Dealer Name:	
Dealer Address:	
City:	Prov / State:
Postal / Zip Code:	Phone:

Auger Model:	Serial Number:	Delivery Date:
--------------	----------------	----------------

I have thoroughly instructed the buyer on the above described equipment which review included the Operator and Parts Manual content, equipment care, adjustments, safe operation and applicable warranty policy.

Dealer Inspection Report

- Bearings Turn Freely
- Belt Tension Checked
- Auger Tube Is Straight
- Flighting Turns Freely
- Gear Box Oil Level Checked
- All Fasteners Are Tight
- Machine Is Lubricated
- Check Tire Pressure

Safety

- All Lights And Reflectors Installed
- All Lights And Reflectors Cleaned And Working
- Safety Chain On Hitch
- All Decals Installed
- Guards And Shields Installed And Secure
- Review Operating And Safety Instructions
- Check For Hydraulic Leaks

Date:	Dealer Rep. Signature:
-------	------------------------

The above equipment and Operator And Parts Manual have been received by me and I have been thoroughly instructed as to care, adjustments, safe operation and applicable warranty policy.

Date:	Customer / Owner Signature:
-------	-----------------------------

Remove this Warranty Registration Form from the Operator And Parts Manual. Make two copies of the form. Send original Warranty Registration Form to Farm King. Give one copy to the customer and the dealer will keep one copy.

Farm King



INTRODUCTION

This Operator And Parts Manual was written to give the owner / operator instructions on the safe operation, maintenance and part identification of the Farm King equipment. READ AND UNDERSTAND THIS OPERATOR AND PARTS MANUAL BEFORE OPERATING YOUR FARM KING EQUIPMENT. If you have any questions, see your Farm King dealer. This manual may illustrate options and accessories not installed on your Farm King equipment.

OWNER'S INFORMATION.....	7
Serial Number Location.....	7
Manual Storage.....	7
EQUIPMENT IDENTIFICATION.....	8
Component Location.....	8

Farm King



OWNER'S INFORMATION

Thank you for your decision to purchase a Farm King 13" Conventional Auger. To ensure maximum performance of your equipment, it is mandatory that you thoroughly study the Operator And Parts Manual and follow the recommendations. Proper operation and maintenance are essential to maximize equipment life and prevent personal injury.

Operate and maintain this equipment in a safe manner and in accordance with all applicable local, state, and federal codes, regulations and / or laws. Follow all on-product labeling and instructions.

Make sure that all personnel have read this Operator And Parts Manual and thoroughly understand safe and correct operating, installation and maintenance procedures.

Farm King is continually working to improve its products. Farm King reserves the right to make any improvements or changes as deemed practical and possible without incurring any responsibility or obligation to make any changes or additions to equipment sold previously.

Although great care has been taken to ensure the accuracy of this publication, Farm King makes no warranty or guarantee of any kind, written or expressed, implied or otherwise with regard to the information contained within this manual. Farm King assumes no responsibility for any errors that may appear in this manual and shall not be liable under any circumstances for incidental, consequential or punitive damages in connection with, or arising from the use of this manual.

Keep this manual available for frequent reference. All new operators or owners must review the manual before using the equipment and annually thereafter. Contact your Farm King Dealer if you need assistance, information, or additional copies of the manual.

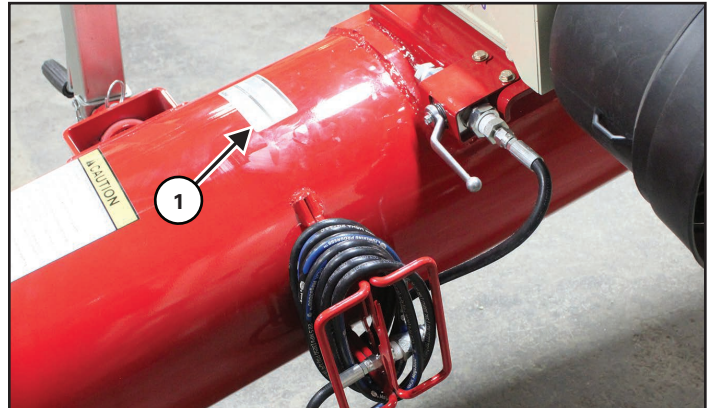
Visit our website at www.farm-king.com for a complete list of dealers in your area.

The directions left, right, front and rear, as mentioned throughout this manual, are as viewed by the operator sitting in the tractor seat while towing the implement.

Serial Number Location

Please enter the model and serial number in the space provided for easy reference.

Figure 1



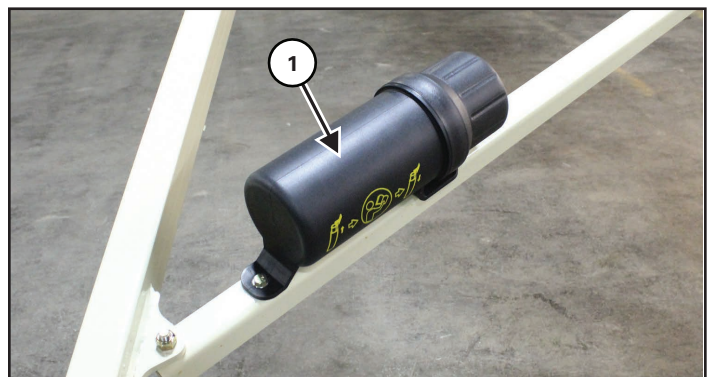
Model Number:
Serial Number:

The serial number plate (Item 1) is located on the intake tube [Figure 1].

Always use your serial number when requesting information or when ordering parts.

Manual Storage

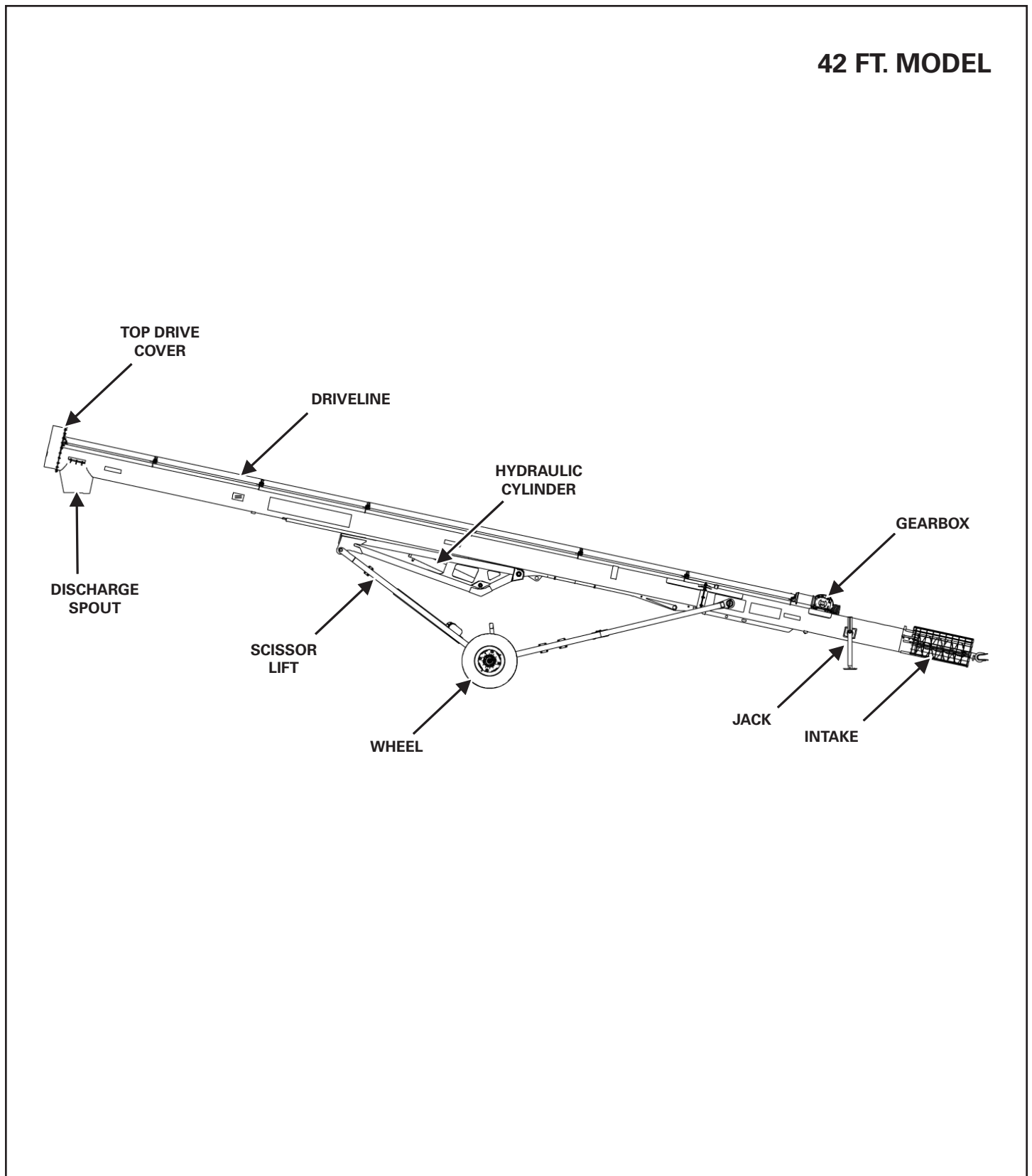
Figure 2



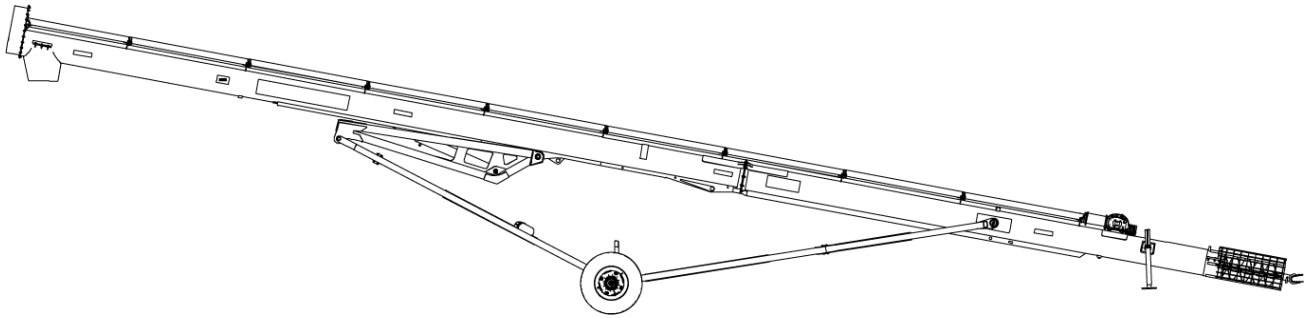
The operator and parts manual and other documents can be stored in the canister (Item 1) located on the undercarriage [Figure 2].

EQUIPMENT IDENTIFICATION

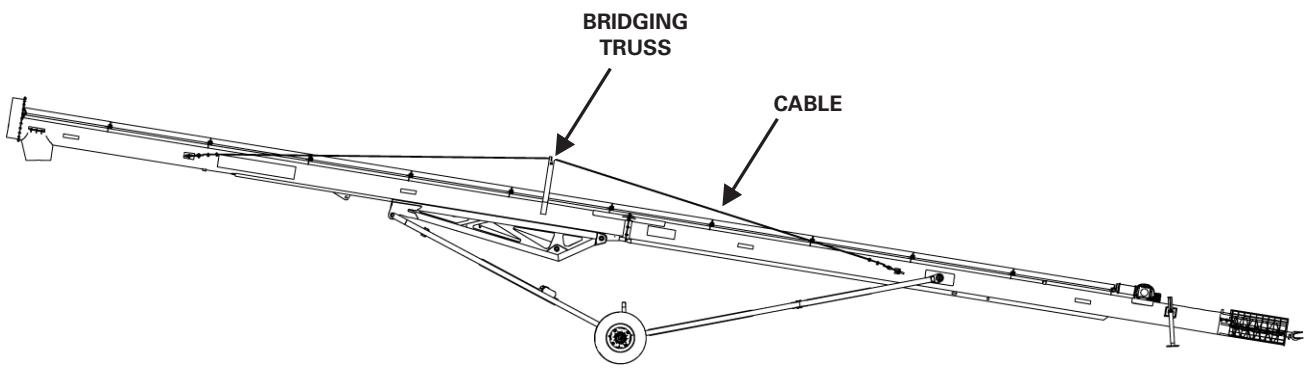
Component Location



52 FT. MODEL



62 FT. MODEL



Farm King



SAFETY

- SAFETY INSTRUCTIONS..... 13
 - Safe Operation is The Operator’s Responsibility..... 13
 - Safe Operation Needs A Qualified Operator..... 13
 - Use Safety Rules..... 14
 - Safety Rules For Power Take-Off (PTO) Driven Equipment..... 14
 - Machine Requirements And Capabilities..... 15
 - Transport Safety..... 15
- FIRE PREVENTION..... 16
 - Maintenance..... 16
 - Operation..... 16
 - Fire Extinguishers..... 16
 - Electrical..... 16
 - Hydraulic System..... 16
 - Fueling..... 16
 - Welding And Grinding..... 16
- GAS ENGINE SAFETY..... 17
- OPERATING SAFETY ZONE..... 18
 - Safety Zone Identification..... 18
- EQUIPMENT & SAFETY SIGNS..... 20
- SAFETY SIGN-OFF FORM..... 24

Farm King



SAFETY INSTRUCTIONS

Safe Operation is The Operator's Responsibility



Safety Alert Symbol

This symbol with a warning statement means: "Warning, be alert! Your safety is involved!" Carefully read the message that follows.



CAUTION

The signal word CAUTION on the machine and in the manuals indicates a potentially hazardous situation which, if not avoided, may result in minor or moderate injury. It may also be used to alert against unsafe practices.



DANGER

The signal word DANGER on the machine and in the manuals indicates a hazardous situation which, if not avoided, will result in death or serious injury.



WARNING

The signal word WARNING on the machine and in the manuals indicates a potentially hazardous situation which, if not avoided, could result in death or serious injury.



IMPORTANT

This notice identifies procedures which must be followed to avoid damage to the machine.

Safe Operation Needs A Qualified Operator



WARNING

Operators must have instructions before operating the machine. Untrained operators can cause injury or death.

For an operator to be qualified, he or she must not use drugs or alcohol which impair alertness or coordination while working. An operator who is taking prescription drugs must get medical advice to determine if he or she can safely operate a machine and the equipment.

Understand the written instructions, rules and regulations:

- The written instructions from Farm King include the Warranty Registration, Dealer Inspection Report, Operator And Parts Manual and machine signs (decals).
- Check the rules and regulations at your location. The rules may include an employer's work safety requirements. Regulations may apply to local driving requirements or use of a Slow Moving Vehicle (SMV) emblem. Regulations may identify a hazard such as a utility line.

Have Training with Actual Operation:

- Operator training must consist of a demonstration and verbal instruction. This training is given by the machine owner prior to operation.
- The new operator must start in an area without bystanders and use all the controls until he or she can operate the machine safely under all conditions of the work area.

Know the Work Conditions:

- Clear working area of all bystanders, especially small children and all obstacles that might be hooked or snagged, causing injury or damage.
- Know the location of any overhead or underground power lines. Call local utilities and have all underground power lines marked prior to operation.
- Wear tight fitting clothing. Always wear safety glasses when doing maintenance or service.

Use Safety Rules

- Read and follow instructions in this manual and the tractor's Operators Manual before operating.
- Under no circumstances should young children be allowed to work with this equipment.
- This equipment is dangerous to children and persons unfamiliar with its operation.
- If the elderly are assisting with work, their physical limitations need to be recognized and accommodated.
- Stay clear of overhead power lines when raising or lowering the auger. Electrocutation can occur without direct contact.
- Check for overhead and / or underground lines before operating equipment (if applicable).
- In addition to the design and configuration of equipment, hazard control and accident prevention are dependent upon the awareness, concern, prudence and proper training of personnel involved in the operation, transport, maintenance and storage of equipment.
- Check that the equipment is securely fastened to the tractor / towing vehicle.
- Make sure all the machine controls are in the NEUTRAL position before starting the machine.
- Operate the equipment only from the operator's position.
- Operate the equipment according to the Operator And Parts Manual.
- When learning to operate the equipment, do it at a slow rate in an area clear of bystanders, especially small children.
- DO NOT permit personnel to be in the work area when operating the equipment.
- The equipment must be used ONLY on approved tractors / transport vehicles.
- DO NOT modify the equipment in any way.
- Unauthorized modification may impair the function and / or safety and could affect the life of the equipment.
- DO NOT make any adjustments or repairs on the equipment while the machine is running.
- Keep shields and guards in place. Replace if damaged.

Safety Rules For Power Take-Off (PTO) Driven Equipment

- Keep PTO shields and all guards in place. Replace damaged or missing shields and guards before operating.
- Follow warnings and instructions on machine signs (decals). Replace damaged or missing decals.
- Do not wear loose or bulky clothing around the PTO or other moving parts.
- Keep bystanders away from PTO driven equipment, and never allow children near machines.
- Read and understand the manuals for the PTO driven equipment and be aware of safe operating procedures and hazards that may not be readily apparent.
- Always walk around equipment to avoid coming near a turning PTO driveline. Stepping over, leaning across or crawling under a turning PTO driveline can cause entanglement.
- Position the machine and equipment hitch correctly to prevent driveline stress and separation.
- Use caution when turning. Turning too sharp can cause driveline damage.
- Use caution when raising PTO driven attachment.

Machine Requirements And Capabilities

- Stop the machine and engage the parking brake. Install blocks in front of and behind the rear tires of the machine. Install blocks underneath and support the equipment securely before working under raised equipment.
- Keep bystanders clear of moving parts and the work area. Keep children away.
- Use increased caution on slopes and near banks and ditches to prevent overturn.
- Make certain that the Slow Moving Vehicle (SMV) emblem is installed so that it is visible and legible. When transporting the equipment, use the flashing warning lights (if equipped) and follow all local regulations.
- Operate this equipment with a machine equipped with an approved Roll-Over Protective Structure (ROPS). Always wear seat belt when the ROPS is up. Serious injury or death could result from falling off the machine.
- Before leaving the operator's position:
 1. Always park on a flat level surface.
 2. Place all controls in neutral.
 3. Engage the parking brake.
 4. Stop engine.
 5. Wait for all moving parts to stop.
- Carry passengers only in designated seating areas. Never allow riders on the machine or equipment. Falling off can result in serious injury or death.
- Start the equipment only when properly seated in the operator's seat. Starting a machine in gear can result in serious injury or death.
- Operate the machine and equipment from the operator's position only.
- The parking brake must be engaged before leaving the operator's seat. Rollaway can occur because the transmission may not prevent machine movement.

Transport Safety

- Do not exceed 20 mph (32 kph). Reduce speed on rough roads and surfaces.
- Comply with state and local laws governing highway safety and movement of machinery on public roads.
- The use of flashing amber lights is acceptable in most localities. However, some localities prohibit their use.
- Local laws should be checked for all highway lighting and marking requirements.
- Always install transport locks, pins or brackets before transporting.
- Always yield to oncoming traffic in all situations and move to the side of the road so any following traffic may pass.
- Always enter curves or drive up or down hills at a low speed and at a gradual steering angle.
- Never allow riders on either tractor or equipment.
- Keep tractor / towing vehicle in a lower gear at all times when traveling down steep grades.
- Maintain proper brake settings at all times (if equipped).
- Stay away from overhead power lines when auger is raised. Electrocutation can occur without direct contact.

FIRE PREVENTION



Maintenance

- The machine and some equipment have components that are at high temperatures under normal operating conditions. The primary source of high temperatures is the engine and exhaust system. The electrical system, if damaged or incorrectly maintained, can be a source of arcs or sparks.
- Flammable debris (leaves, straw, etc.) must be removed regularly. If flammable debris is allowed to accumulate, it can cause a fire hazard. Clean often to avoid this accumulation. Flammable debris in the engine compartment is a potential fire hazard.
- All fuels, most lubricants and some coolant mixtures are flammable. Flammable fluids that are leaking or spilled onto hot surfaces or onto electrical components can cause a fire.

Operation

- The Farm King machine must be in good operating condition before use.
- Check all of the items listed on the service schedule under the 8 hour column before operation. (See Maintenance section)
- Do not use the machine where exhaust, arcs, sparks or hot components can contact flammable material, explosive dust or gases.

Fire Extinguishers



- Know where fire extinguishers and first aid kits are located and how to use them. Inspect the fire extinguisher and service the fire extinguisher regularly. Obey the recommendations on the instructions plate.

Electrical



- Check all electrical wiring and connections for damage. Keep the battery terminals clean and tight. Repair or replace any damaged part or wires that are loose or frayed. Battery gas can explode and cause serious injury. Do not jump start or charge a frozen or damaged battery. Keep any open flames or sparks away from batteries. Do not smoke in battery charging area.

Hydraulic System

- Check hydraulic tubes, hoses and fittings for damage and leakage. Never use open flame or bare skin to check for leaks. Hydraulic tubes and hoses must be properly routed and have adequate support and secure clamps. Tighten or replace any parts that show leakage. Always clean fluid spills. Do not use gasoline or diesel fuel for cleaning parts. Use commercial nonflammable solvents.

Fueling



- Stop the engine and let it cool before adding fuel. No smoking! Do not refuel a machine near open flames or sparks. Fill the fuel tank outdoors.

Welding And Grinding

- Always clean the machine and equipment, disconnect the battery, and disconnect the wiring from the machine controls before welding. Cover rubber hoses, battery and all other flammable parts. Keep a fire extinguisher near the machine when welding.
- Have good ventilation when grinding or welding painted parts. Wear dust mask when grinding painted parts. Toxic dust or gas can be produced.
- Dust generated from repairing nonmetallic parts such as hoods, fenders or covers can be flammable or explosive. Repair such components in a well ventilated area away from open flames or sparks.

GAS ENGINE SAFETY

- Before starting engine, read and understand the operating and maintenance instructions that came with your engine.
- DO NOT run engine in an enclosed area. Exhaust gases contain carbon monoxide, an odorless and deadly poison.
- DO NOT place hands or feet near moving or rotating parts.
- DO NOT store, spill, or use gasoline near an open flame, or devices such as a stove, furnace, or water heater which use a pilot light or devices which can create a spark.
- DO NOT refuel indoors where area is not well ventilated. Outdoor refueling is preferred.
- DO NOT refuel while engine is running. Allow engine to cool for 5 minutes before refueling. Store fuel in approved safety containers.
- DO NOT remove fuel tank cap while engine is running.
- DO NOT operate engine if gasoline is spilled. Move machine away from the spill and avoid creating any ignition until gasoline has evaporated.
- DO NOT smoke while filling fuel tank.
- DO NOT choke carburetor to stop engine. Whenever possible, gradually reduce engine speed before stopping.
- DO NOT run engine above rated speeds. This may result in injury.
- DO NOT tamper with governor springs, governor links or other parts which may increase the governed speed.
- DO NOT tamper with the engine speed selected by the original equipment manufacturer.
- DO NOT check for spark with spark plug or spark plug wire removed.
- DO NOT crank engine with spark plug removed. If engine is flooded, crank until engine starts.
- DO NOT strike flywheel with a hard object or metal tool as this may cause flywheel to shatter in operation. Use proper tools to service engine.
- DO NOT operate engine without a muffler. Inspect periodically and replace, if necessary. If engine is equipped with a muffler deflector, inspect periodically and replace, if necessary with correct deflector.
- DO NOT operate engine with an accumulation of grass, leaves, dirt or other combustible materials in the muffler area.
- DO NOT use this engine on any forest covered, brush covered, or grass covered unimproved land unless a spark arrester is installed on the muffler. The arrester must be maintained in effective working order by the operator.
- DO NOT touch hot muffler, cylinder or fins because contact may cause burns.
- DO NOT run engine with air cleaner or air cleaner cover removed.
- Remove the wire from the spark plug when servicing the engine or equipment to prevent accidental starting. Disconnect the negative wire from the battery terminal if equipped with a 12 volt starting system.
- Keep cylinder fins and governor parts free of grass and other debris which can affect engine speed.
- Examine muffler periodically to be sure it is functioning effectively. A worn or leaking muffler should be repaired or replaced as necessary.
- Use fresh gasoline. Stale fuel can gum carburetor and cause leakage.
- Check fuel lines and fittings frequently for cracks or leaks. Replace if necessary.

OPERATING SAFETY ZONE

Safety Zone Identification



AVOID INJURY OR DEATH

- Do not allow small children, bystanders or unauthorized persons in the work area during operation.
- Never stand or work under the auger and undercarriage when in the raised position or during operation.
- Always keep PTO shields and all guards in place during operation.
- Keep away from moving parts.
- Keep everyone clear when operating the hopper mover.

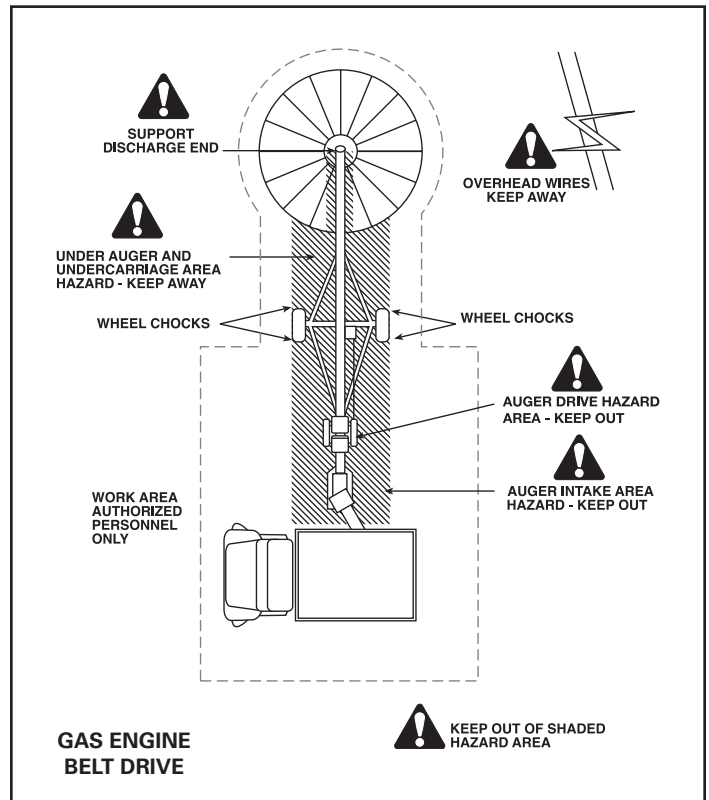
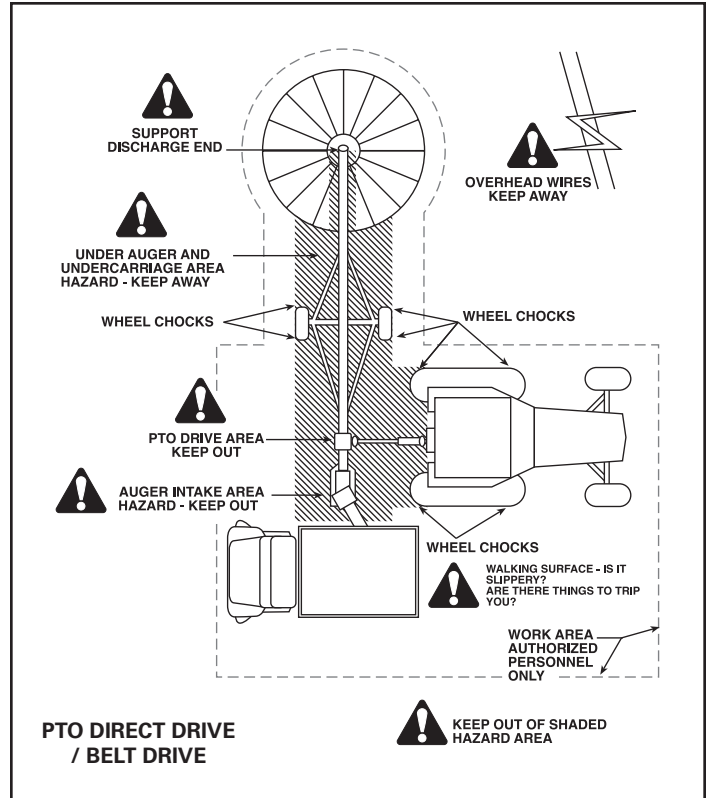


ELECTROCUTION HAZARD

Keep away from power lines, electrocution can occur without direct contact.



- Owners and operators should allow only authorized personnel and grain transport vehicles near the auger or inside the work area.
- Allow adequate space for grain transport vehicles to operate safely.
- Make certain everyone is clear of the equipment before applying power or moving the machine.
- While in operation, always support the discharge end or provide adequate anchorage of the intake end to prevent sudden tipping.



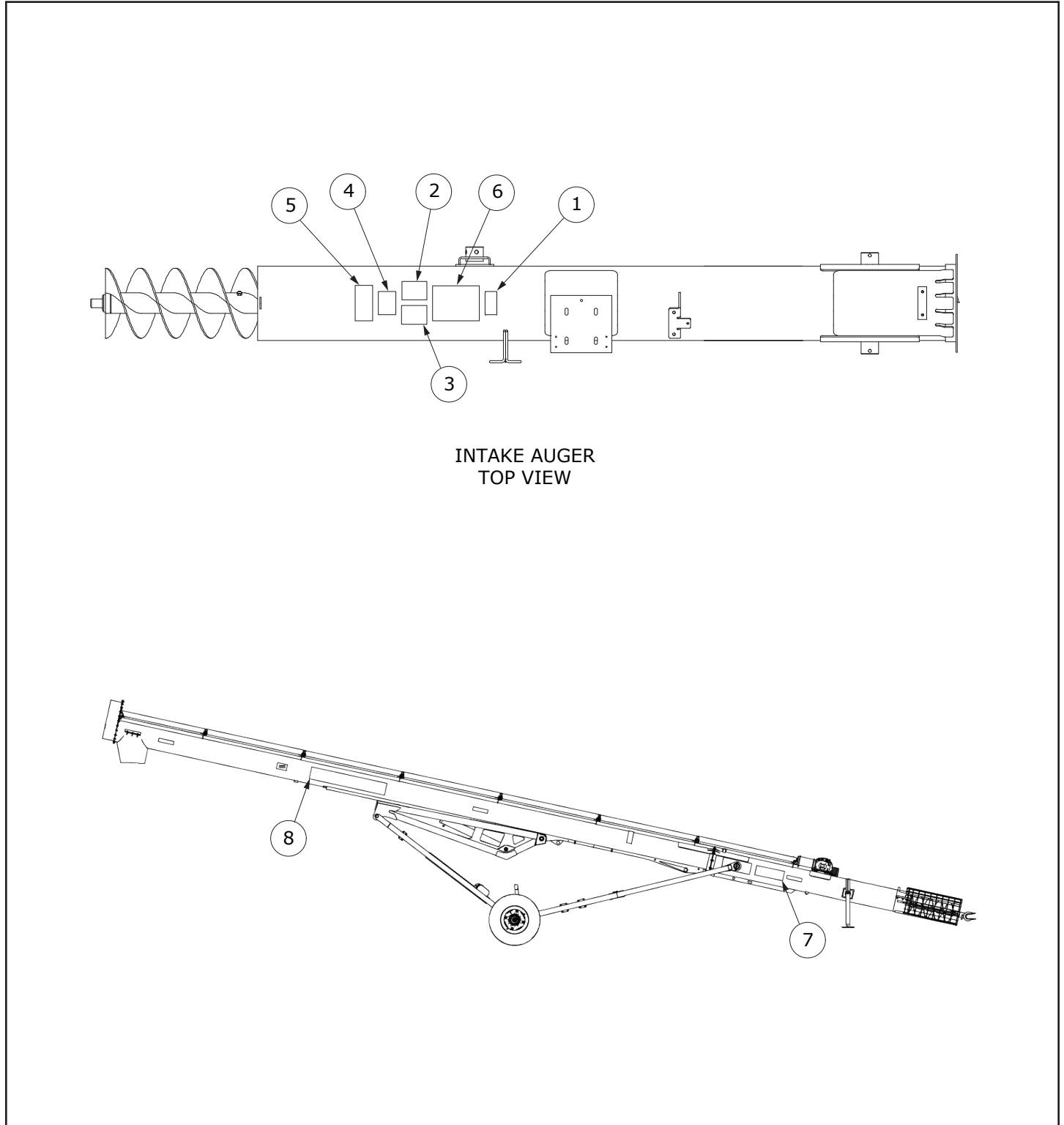
Farm King



EQUIPMENT & SAFETY SIGNS

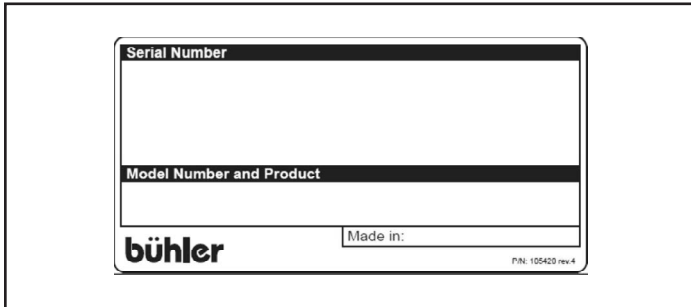
Follow the instructions on all the signs (decals) that are on the equipment. Replace any damaged signs (decals) and be sure they are in the correct locations. Equipment signs are available from your Farm King equipment dealer.

Figure 3

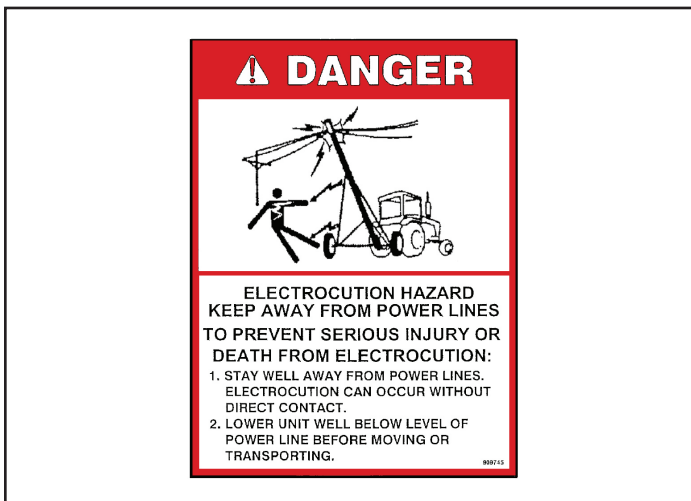


Tube Decal Identification [Figure 3]

105420 - REFERENCE PLATE (Item 1)



909745 - ELECTROCUTION (Item 2)



960569 - UPENDING (Item 3)



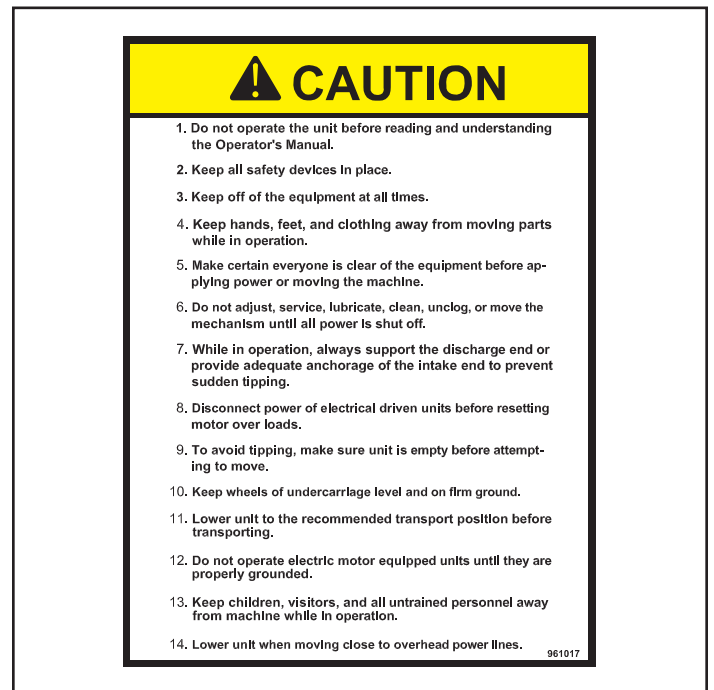
961015 - IMPORTANT (Item 4)



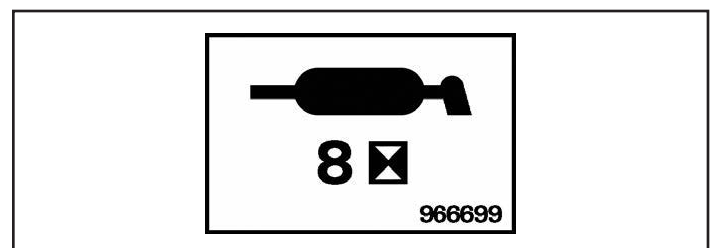
961016 - HANDS AND FEET (Item 5)



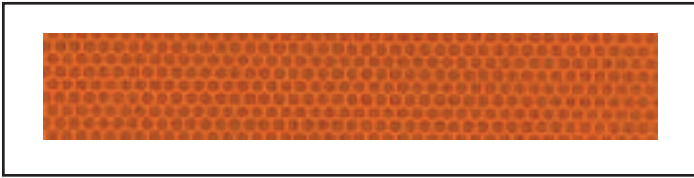
961017 - CAUTION (Item 6)



966699 - GREASE (NOT SHOWN)



967055 - AMBER REFLECTOR 2 X 9 (NOT SHOWN)



938128 - MODEL 1342 (Item 7)
938127 - MODEL 1352
938126 - MODEL 1362



935029 - FARM KING (Item 8)

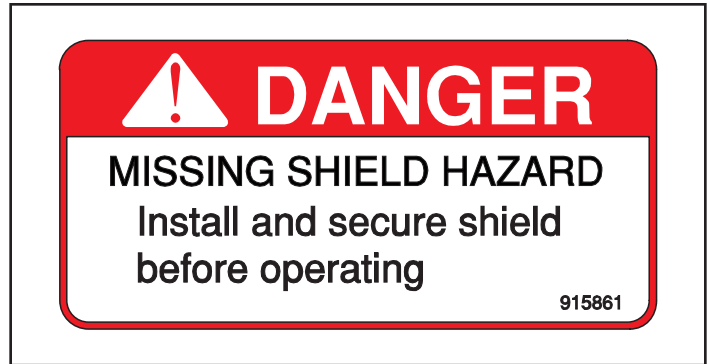


Belt Decal Identification

909747 - ROTATING HAZARD



915861 - MISSING SHIELD HAZARD

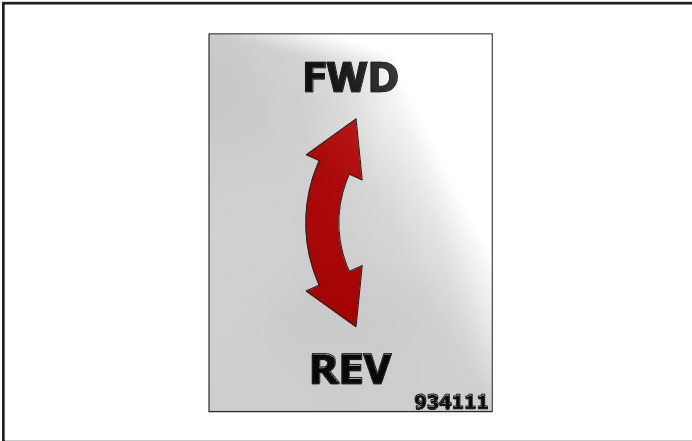


966700 - CAUTION NO RIDERS

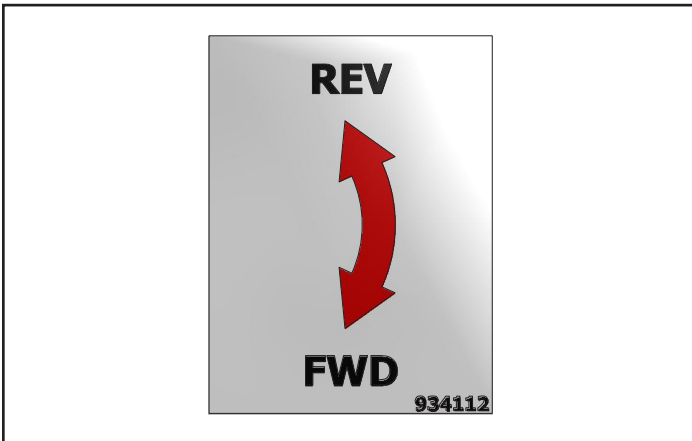


Gearbox / Shifter Decal Identification

934111 - REVERSIBLE GEARBOX



934112 - REVERSIBLE GEARBOX



ASSEMBLY

GENERAL ASSEMBLY INFORMATION..... 27

 Component Unloading And Identification..... 27

TUBES..... 28

GEARBOX / DRIVELINE..... 31

GEARBOX / PTO - DIRECT DRIVE..... 35

BRIDGING - C1362 MODELS..... 36

DISCHARGE SPOUT..... 38

UNDERCARRIAGE..... 39

 Axle / Undercarriage - C1352, C1362 Models..... 39

 Axle / Undercarriage - C1342 Models..... 41

 Axle Light Stand - All Models..... 42

 Upper Lift Arm - All Models..... 42

 Lower Lift Arms / Undercarriage - All Models..... 44

 Wheels / Stub Axles - All Models..... 46

MOUNT - ENGINE..... 47

 Mount Engine - 1352, 1362 Models..... 47

 Mount - Engine - 1342 Models..... 50

MOUNT - PTO BELT..... 52

 Mount - PTO Belt - 1342 Models..... 52

 Mount - PTO Belt - 1352, 1362 Models..... 53

MOUNT - ELECTRIC MOTOR..... 54

 Mount Electric Motor - 1342 Models..... 54

 Mount - Electric Motor - 1352, 1362 Models..... 54

DRIVE - ENGINE..... 55

 Pivot Guard - All Models..... 55

 Drive - Engine - 1352, 1362 Models..... 57

 Drive - Engine - 1342 Models..... 59

DRIVE - PTO BELT..... 62

DRIVE - ELECTRIC MOTOR..... 63

TOP PULLEY..... 64

 Top Guard - All Models..... 64

Top Pulley - C1342 Models.....	64
Top Pulley - C1352, C1362 Models.....	65
BELT TRAYS.....	66
Belt Trays - C1342 Models.....	66
Belt Trays - C1352, C1362 Models.....	66
Bottom Guard - All Models.....	67
BELT ROUTING.....	68
BELT COVERS.....	69
GUARD COVERS.....	70
HYDRAULIC CYLINDER / HOSE ROUTING.....	71
GEARBOX SHIFTER - BELT DRIVE MODELS.....	74
ELECTRICAL CABLES.....	76
Electric Clutch.....	76
E-Stop.....	77

GENERAL ASSEMBLY INFORMATION

Component Unloading And Identification

Unload the crate(s) and components in flat level area of adequate size to assemble the auger.



ELECTROCUTION HAZARD

To prevent serious injury or death from electrocution:

- Be aware of overhead power lines.
- Keep away from power lines when unloading and assembling the auger.
- Electrocution can occur without direct contact.



DO NOT permit bystanders to be in the work area when unloading and assembling components.

DO NOT work under suspended parts.

Keep away from moving parts.

Always use lifting devices / vehicles, chains or straps of adequate size and strength when unloading and assembling components.



Unload crate(s) and auger components carefully, not to cause damage to any of the components.

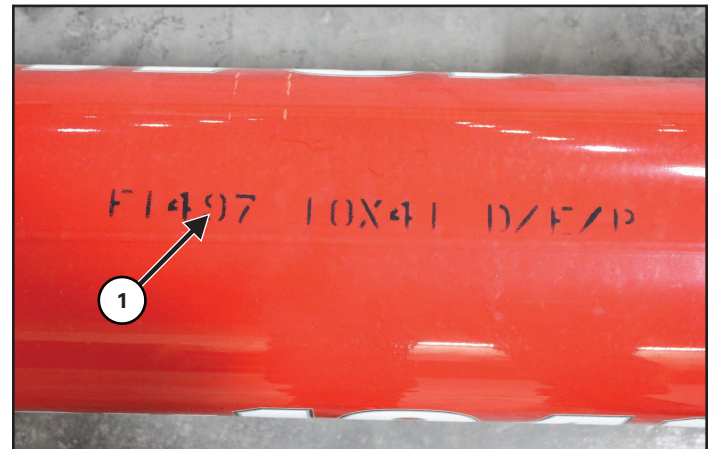
Using the packing list, locate and place all components and hardware in one area. Count the individual components and verify that you have received the correct number of components to fully assemble the auger.

If any components are damaged, missing or replacement parts are required, contact your Farm King Dealer.

Assemble the Auger in the following order:

1. Tube sections and driveline
2. Undercarriage
3. Belt
4. Hydraulic Components
5. Electrical Components

Figure 4



Larger components are marked (Item 1) for identification [Figure 4].

TUBES

Assemble the tube sections on a flat level surface.

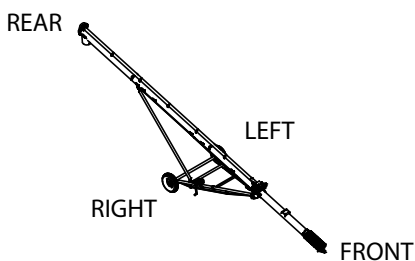


DO NOT permit bystanders to be in the work area when unloading and assembling components.

DO NOT work under suspended parts.

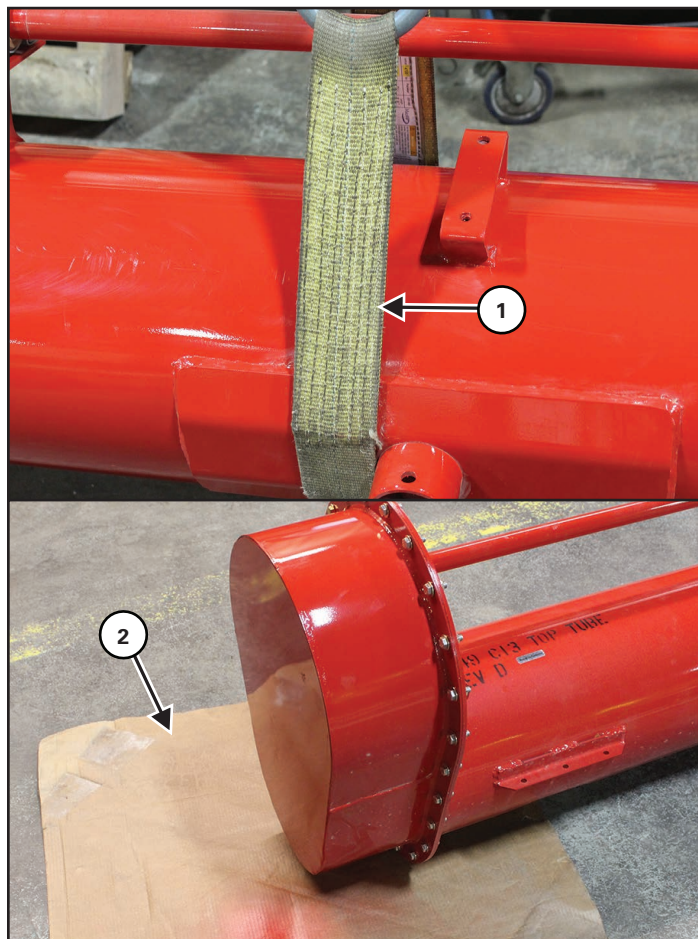
Keep away from moving parts.

Always use lifting devices / vehicles, chains or straps of adequate size and strength when unloading and assembling components.



The directions left, right, front and rear, as mentioned throughout this manual, are as viewed as the operator sitting in the tractor's seat with the equipment hitched to the tractor.

Figure 5



Raise and move the top and bottom tube sections to the assembly area using an approved lifting device (Item 1) [Figure 5].

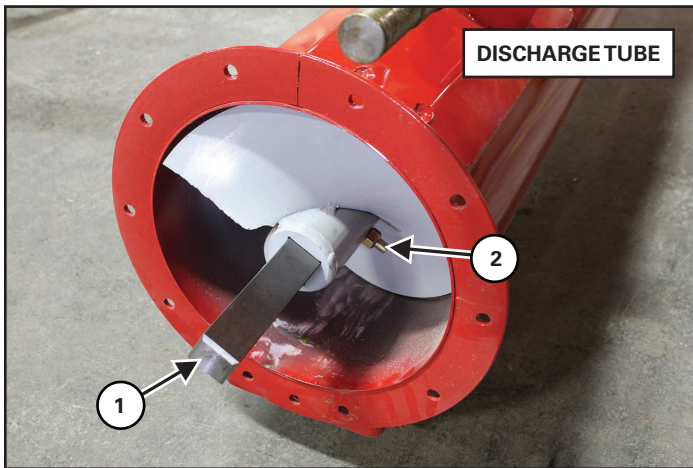
Place cardboard (Item 2) where the tube contacts the ground to avoid paint damage [Figure 5].



AVOID INJURY OR DEATH

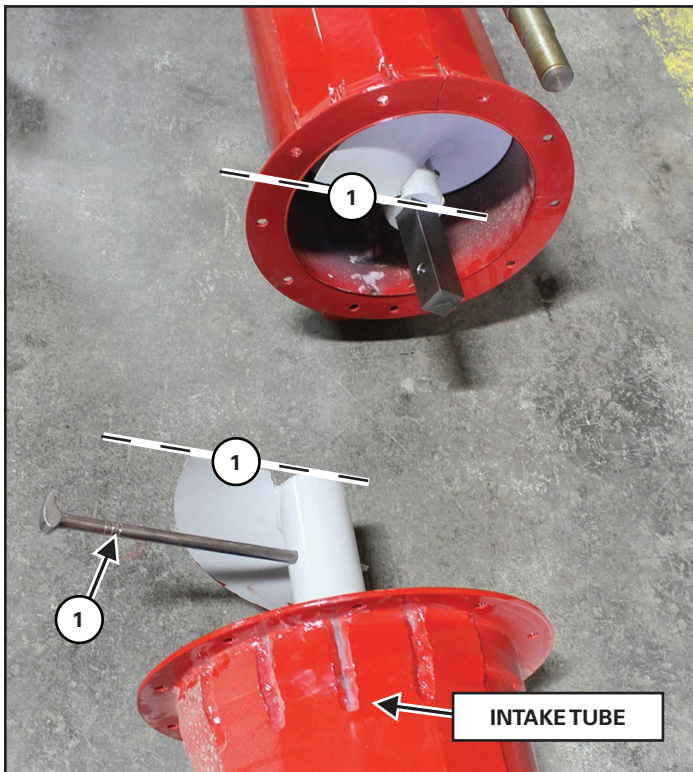
Keep fingers and hands out of pinch points when assembling the equipment.

Figure 6



Install one square shaft (Item 1) to the discharge tube flighting. Attach using one 1/2" x 4" hex bolt and one 1/2" lock nut (Item 2) [Figure 6].

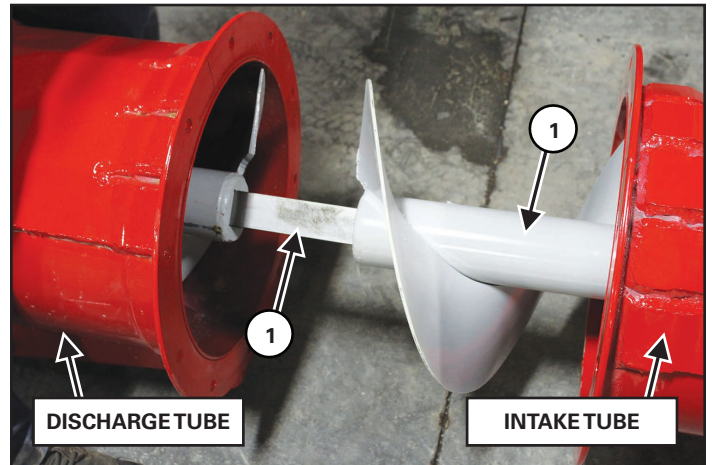
Figure 7



Pull the flighting out from the intake tube.

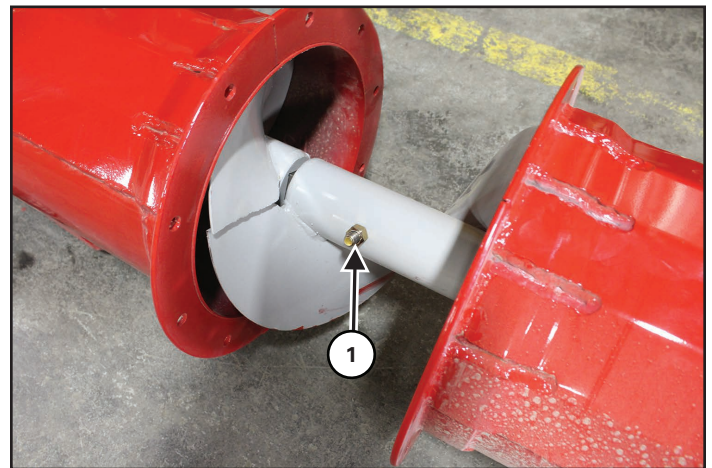
Turn the flighting, using an appropriate tool (Item 1). Align the intake tube flighting edge (Item 2) with the discharge tube flighting edge (Item 3) [Figure 7].

Figure 8



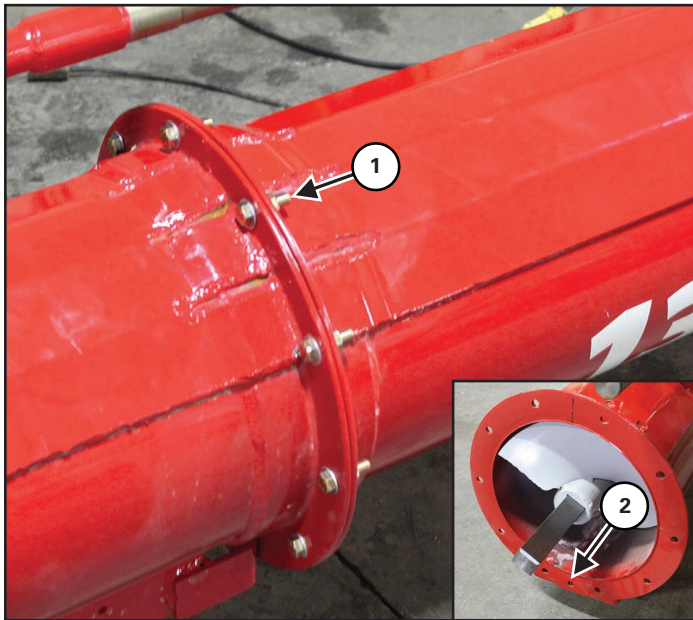
Slide the intake tube flighting (Item 1) onto the square shaft (Item 2) [Figure 8].

Figure 9



Attach the flighting using one 1/2" x 4" hex bolt and one 1/2" lock nut (Item 1) [Figure 9].

Figure 10



Align the flanges and holes of the discharge and intake tubes. Raise and lower the tubes to align properly.

Attach the flanges using ten 7/16" x 1-1/2" hex bolts, twenty 7/16" flat washers (one on each side), and ten 7/16" lock nuts (Item 1) [Figure 10].

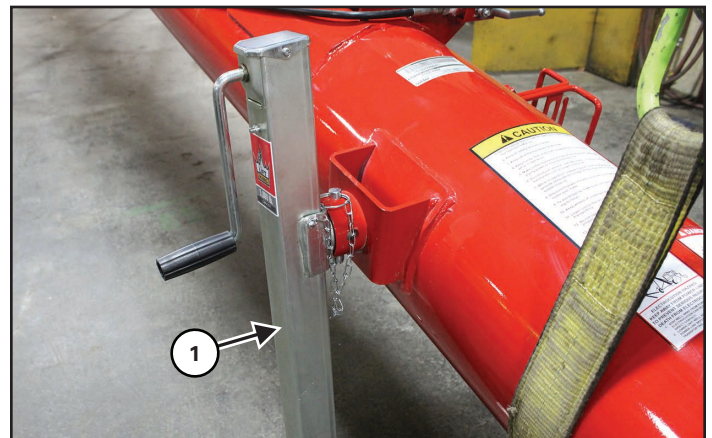
The bottom hole (Item 2) uses a different bolt. Attach one 7/16" x 1-3/4" hex bolt, two 7/16" flat washers (one on each side), and one 7/16" lock nut [Figure 10].

! IMPORTANT

The flange bolt threads must face towards the intake.

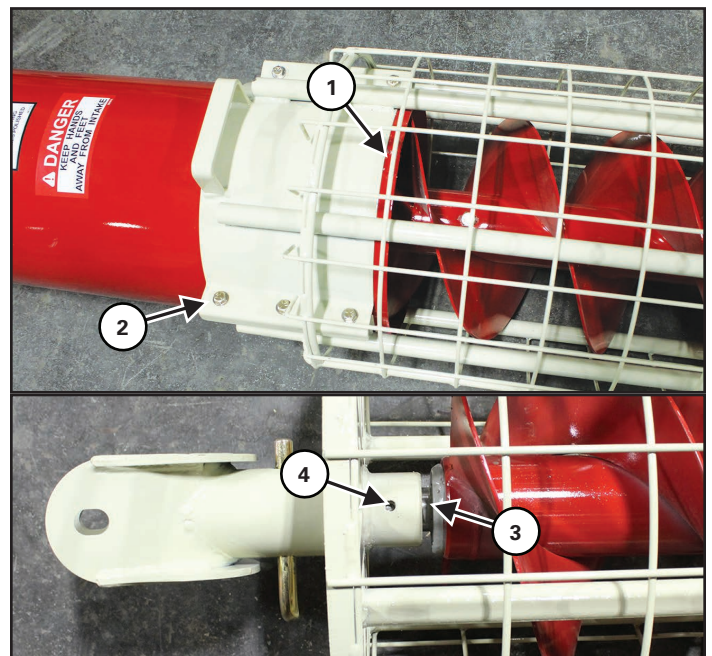
Tighten the flange bolts evenly around the tube in a criss-cross pattern.

Figure 11



Install the jack stand to the intake tube mount [Figure 11].

Figure 12



Place the clamps of the intake cage over the intake tube. The clamps must be placed past the tab (Item 1) on the intake tube [Figure 12].

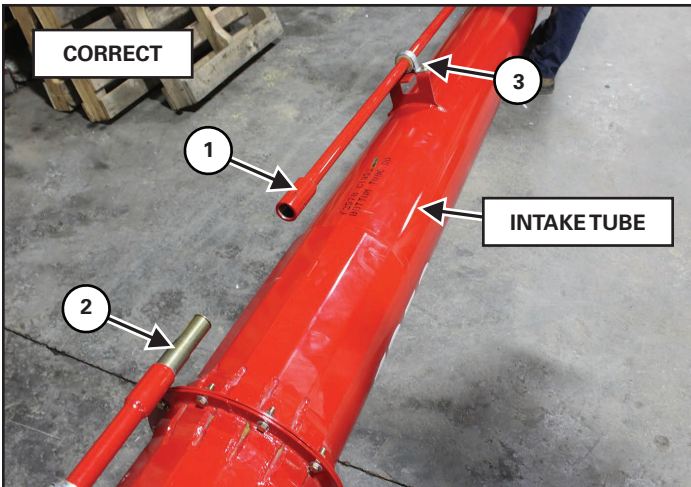
Attach the clamps using six 3/8" x 1-3/4" hex bolts (Item 2), twelve 3/8" flat washers (one on each side), and six 3/8" lock nuts [Figure 12].

Make sure there is a 3/8" space (Item 3) at the end of the flighting [Figure 12].

Install one grease zerk to the hole (Item 4) on the hitch [Figure 12].

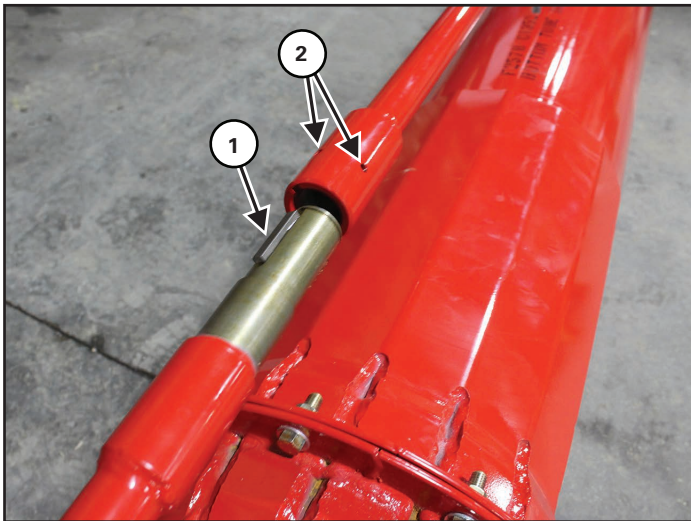
GEARBOX / DRIVELINE

Figure 13



Make sure the collar (Item 1) of the intake tube driveline faces the discharge tube driveline (Item 2). If not, remove the mounts (Item 3) and flip the driveline to correct orientation [Figure 13].

Figure 14

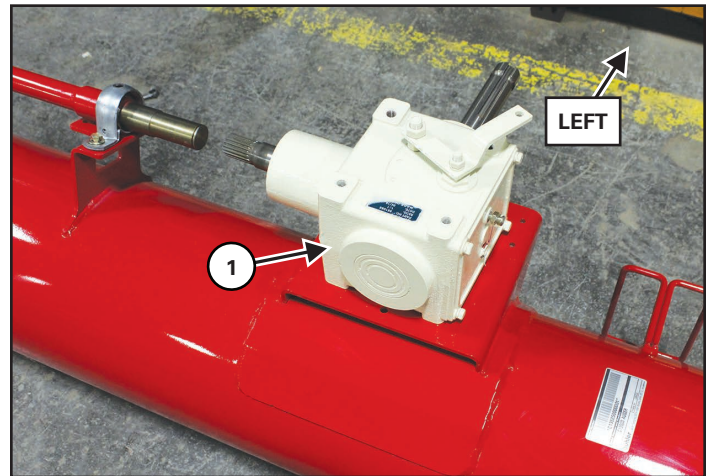


Install one 5/16" SQ. x 58 mm key (Item 1) to the driveline slot [Figure 14].

Install the collar over the key and driveline.

Install two 5/16" x 1/4" setscrews (Item 2) to the collar. Do not tighten at this time [Figure 14].

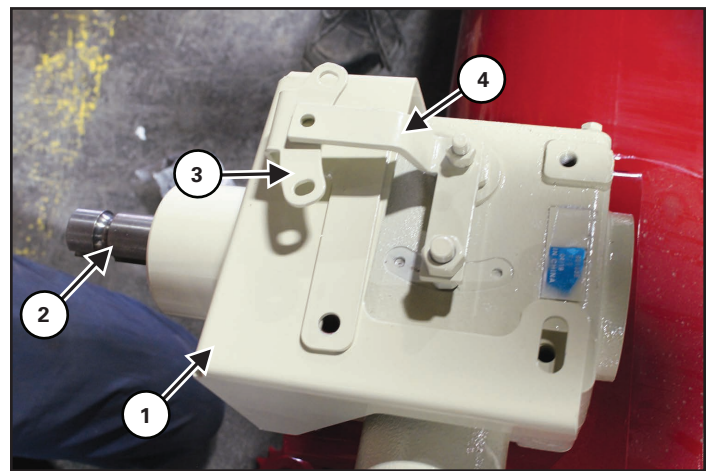
Figure 15



Align the gearbox (Item 1) to the tube mount. The splined shaft must face the driveline. The slotted shaft must face left [Figure 15].

Do not attach hardware.

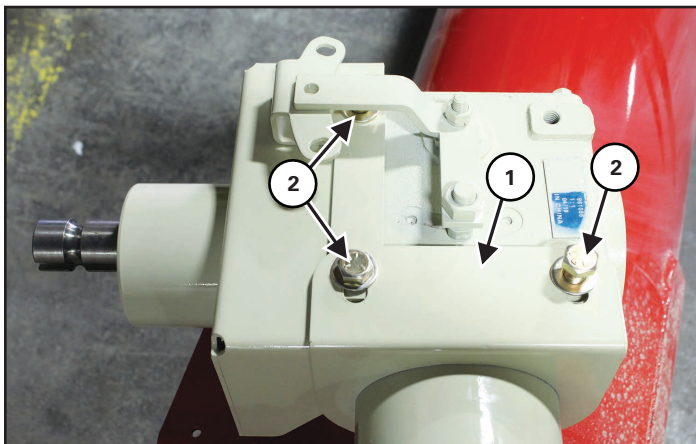
Figure 16



Place the gearbox shield (Item 1) over the slotted shaft (Item 2). Align with the holes on the top of the gearbox [Figure 16].

Models Without Shifter: Place the locking bracket (Item 3) over the gearbox shield (Item 1). Align with the handle (Item 4) and holes [Figure 16].

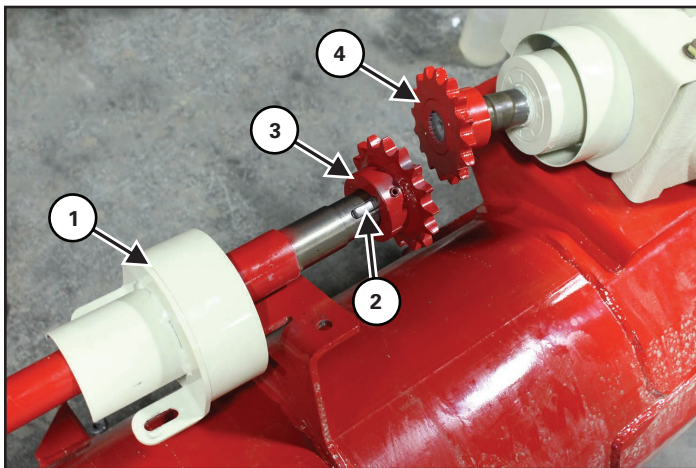
Figure 18



Place the second gearbox shield (Item 1) over the spline shaft of the gearbox and align with the holes [Figure 18].

Attach the shields using three 0.563" flat washers and three 1/2" x 1" hex bolts (Item 2) [Figure 18].

Figure 19



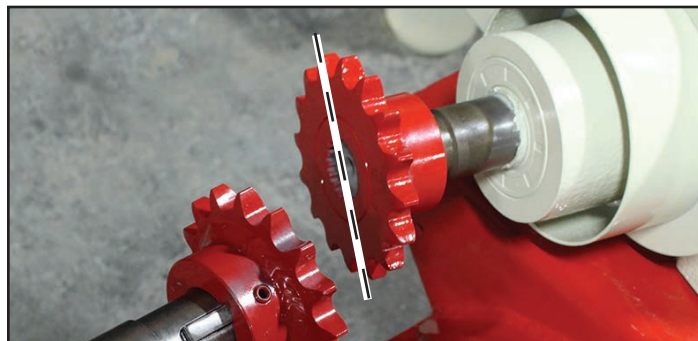
Slide the guard (Item 1) onto the driveline. Do not attach at this time [Figure 19].

Install one 5/16" SQ. x 58 mm key (Item 2) to the driveline slot [Figure 19].

Install one slotted sprocket (Item 3) to the driveline [Figure 19].

Install one spline sprocket (Item 4) to the gearbox shaft [Figure 19].

! IMPORTANT

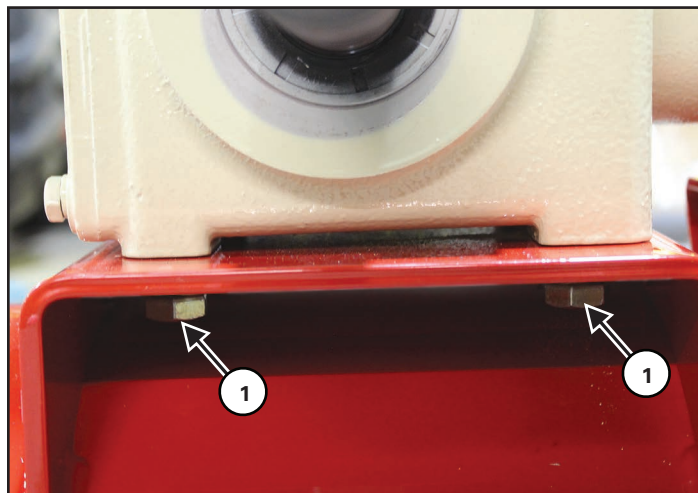


Make sure each sprocket is flush with shaft.

Tighten set screws.

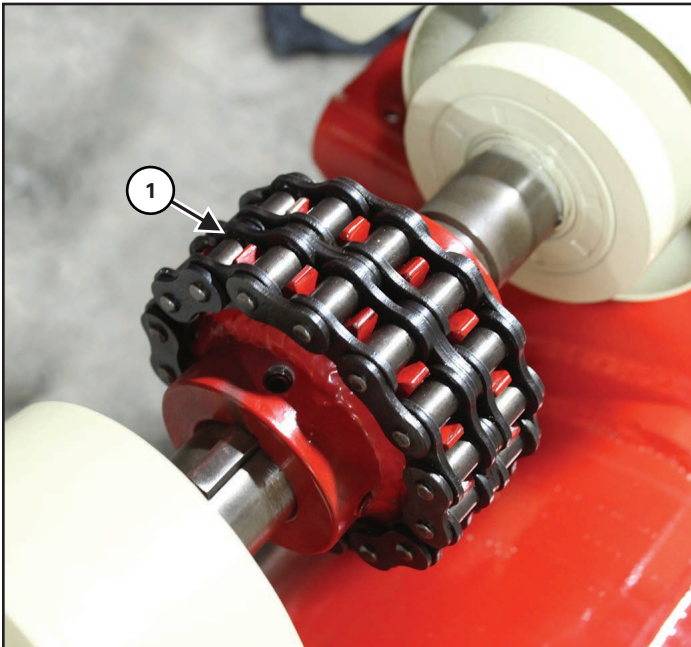
Make sure each sprocket remains flush with shaft while adjusting.

Figure 17



Attach the gearbox to the mount using four 0.563" flat washers and four 1/2" x 1" hex bolts (Item 1) [Figure 17].

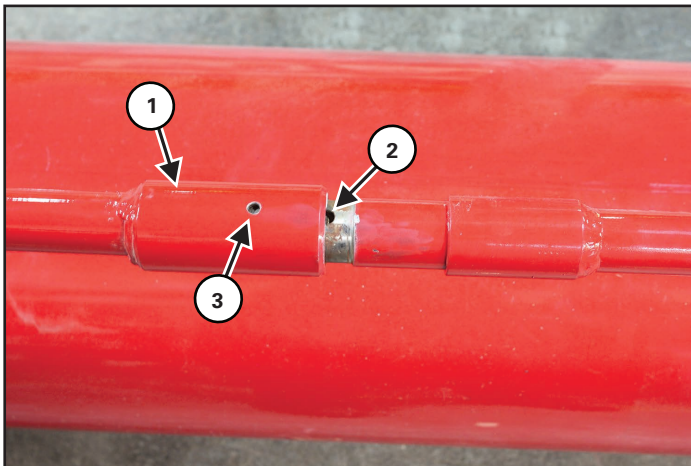
Figure 20



Remove one link of the chain coupler (Item 1). Wrap the chain around both sprockets. Reinstall the link to secure the chain [Figure 20].

The sprockets must be near enough to install the chain coupler. See adjustments [Figure 21].

Figure 21



Adjust the couplings (Item 1) down the length of the driveline. Pull the couplings OUT or push IN to adjust [Figure 21].

Tighten set screws (Item 3) once adjustments are finished with the sprockets and chain coupling properly aligned [Figure 21].



IMPORTANT

Adjust the couplings **EVENLY** down the length of the driveline.

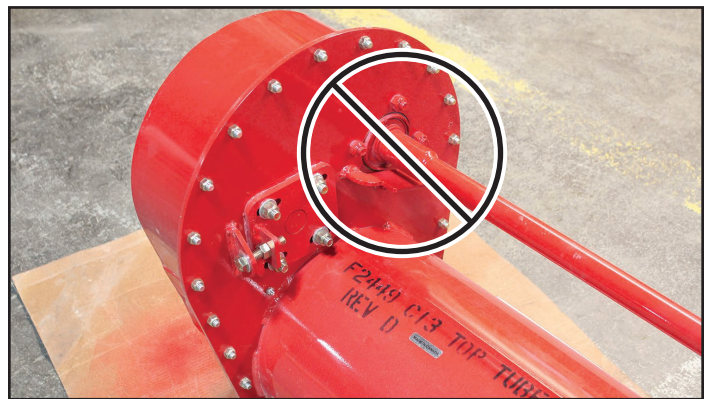
The slot (Item 2) can be visible on the driveline [Figure 21].

The key must **NOT** be visible in the slot.

The driveline and couplers **MUST** maintain 1-3/8" of overlap.

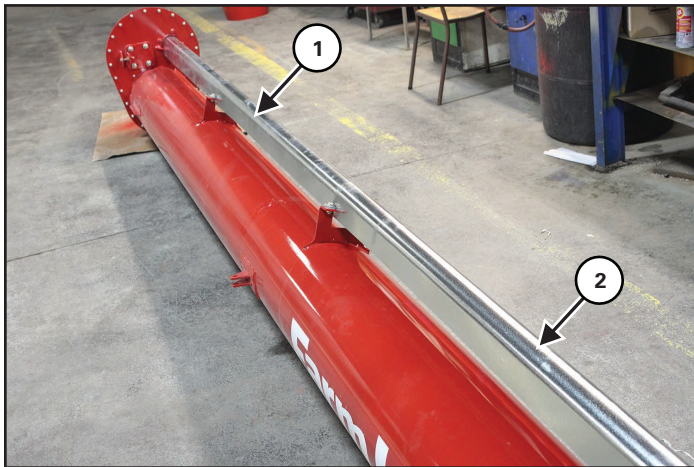


IMPORTANT



DO NOT adjust driveline at the top chain box.

Figure 22

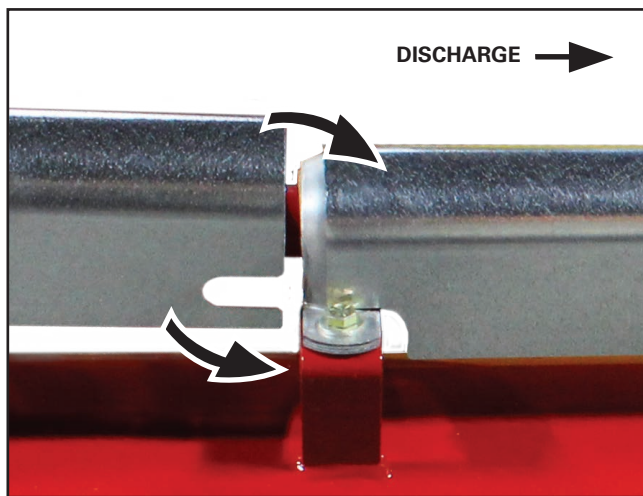


Place one driveline shield section (Item 1) onto the driveline at the discharge end of the top tube [Figure 22].

Make sure the tabbed end of the shield is hooked underneath the mount.

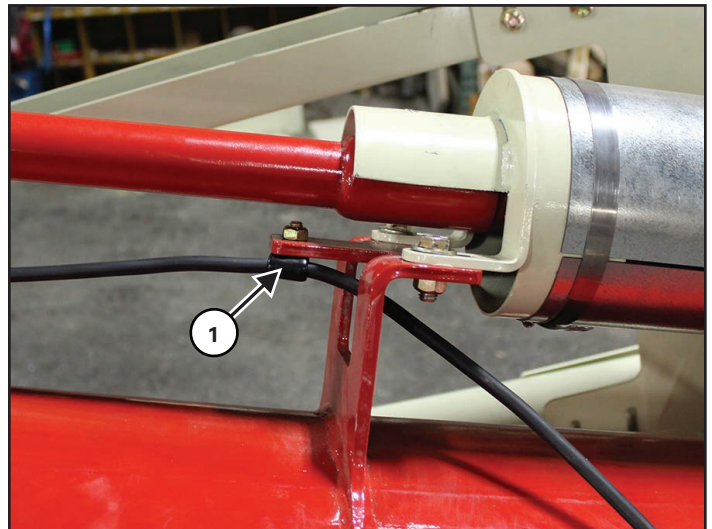
Continue placing driveline shield sections (Item 2) along the driveline [Figure 22].

! IMPORTANT



Each new shield section must cover the previous shield section and be hooked underneath each bearing mount.

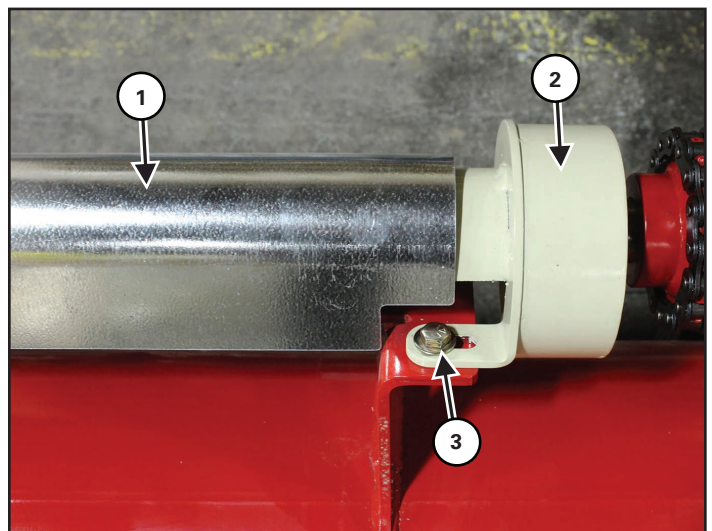
Figure 23



For augers equipped with light kit:

The electrical cable is routed below the driveline to the work light. **Cable clamps (Item 1) will need to be installed to the mounts before the driveline shields.** See light kit instruction manual [Figure 23].

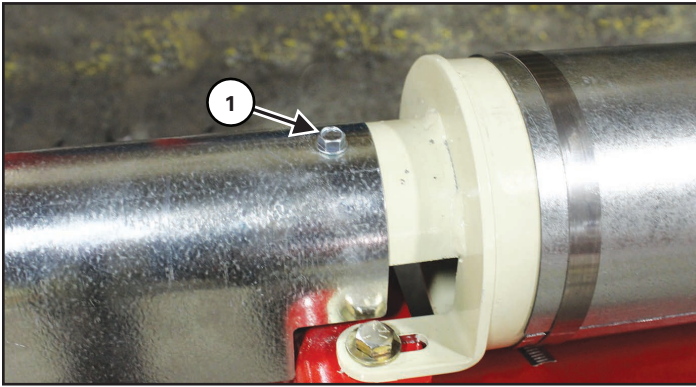
Figure 24



Place the last driveline shield (Item 1). The last driveline shield will rest on the guard (Item 2) [Figure 24].

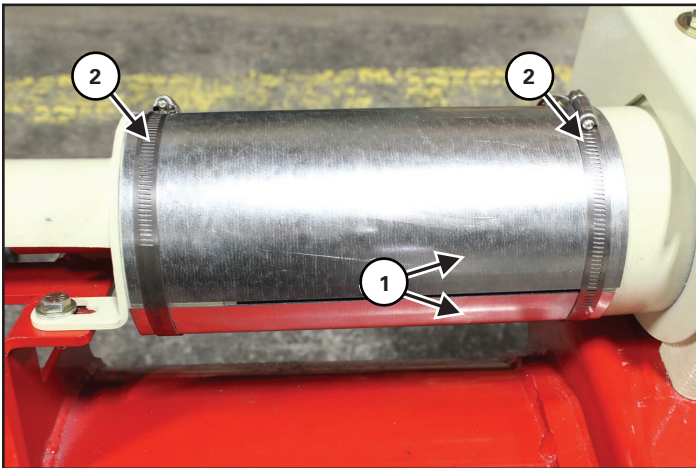
Install the guard to the mount using two 3/8" X 1" hex bolts (Item 3), two 3/8" flat washers, and two 3/8" lock nuts [Figure 24].

Figure 25



Install one 1/4" x 1/2" self tap screw (Item 1) through the shield and guard **[Figure 25]**.

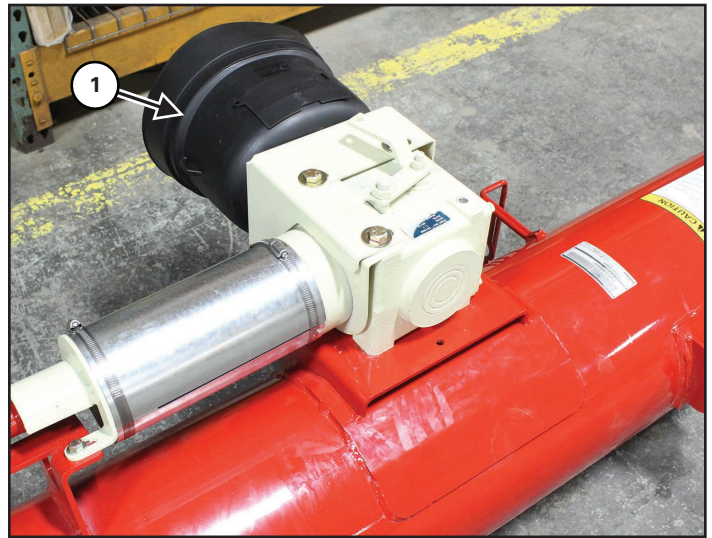
Figure 26



Position two guard halves (Item 1) around the collars of the other guards. Secure the guards using two clamps (Item 2) **[Figure 26]**.

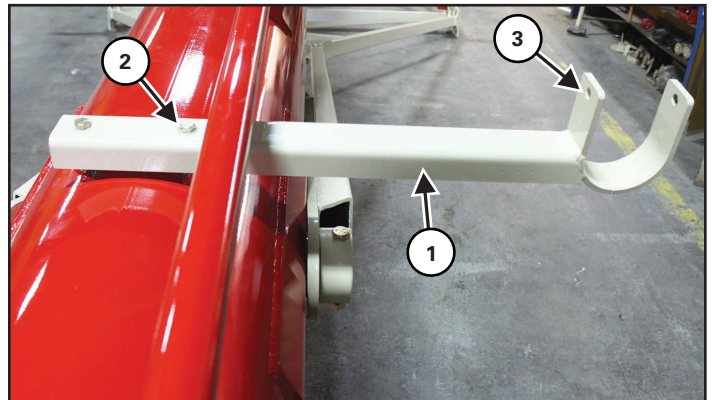
GEARBOX / PTO - DIRECT DRIVE

Figure 27



Direct Drive Models: Install the PTO shield (Item 1) to the gearbox using four 5/16" x 3/4" hex bolts, four 5/16" flat washers, and four 5/16" lock nuts **[Figure 27]**.

Figure 28



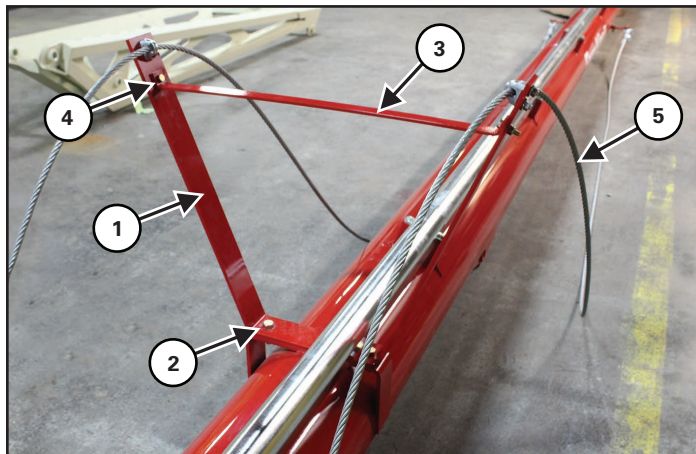
Install the PTO holder (Item 1) to the auger tube. Attach using two 3/8" x 1" hex bolts (Item 2) **[Figure 28]**.

Position the PTO holder facing the same side as the gearbox shaft.

Attach one PTO holder pin and clip to the holder (Item 3) **[Figure 28]**.

BRIDGING - C1362 MODELS

Figure 29

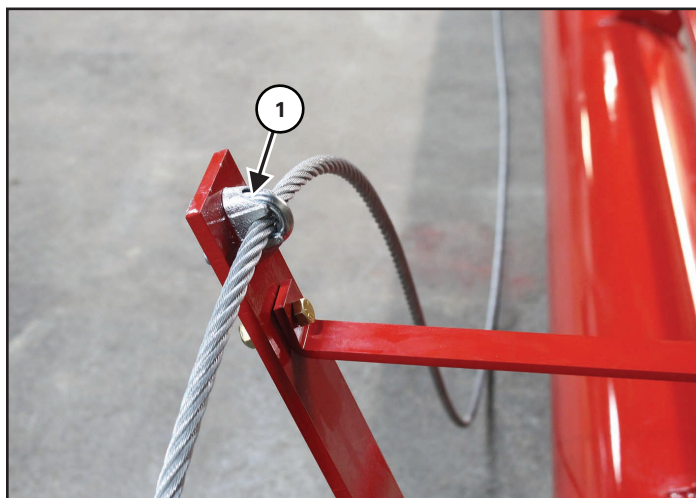


Position the bridging yoke (Item 1) on the tube mount. Attach using two 5/8" x 2" hex bolts (Item 2) and two 5/8" lock nuts [Figure 29].

Position the brace (Item 3) within the yoke. Attach using two 7/16" x 1-1/2" hex bolts and two 7/16" lock nuts [Figure 29].

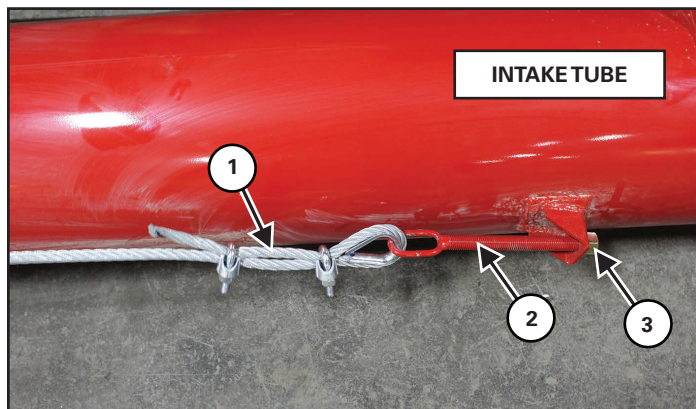
Place two cables (Item 5) along the length of the tube [Figure 29].

Figure 30



Attach the mid-section of each cable to the yoke using one 1/2" clamp (Item 1), two 1" X 7/16" flat washers, and clamp nuts [Figure 30].

Figure 31



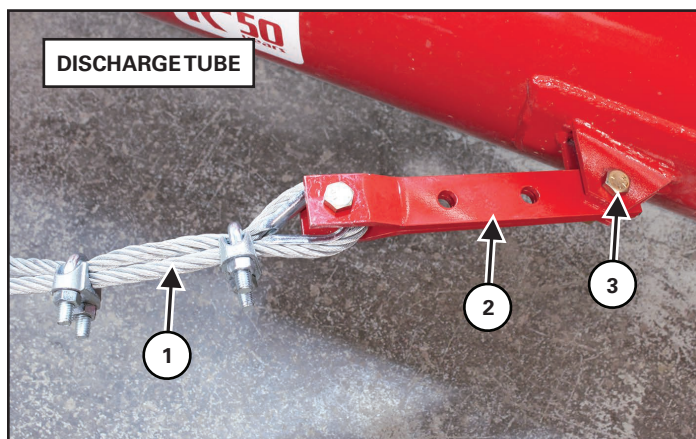
Connect the cable (Item 1) to the eye-bolt (Item 2) [Figure 31].

Attach the eye-bolt to the mount on the intake tube using one lock nut (Item 3) [Figure 31].

Only tighten the nut past the first few threads of the eye-bolt to leave room for tightening.

Repeat on other side.

Figure 32



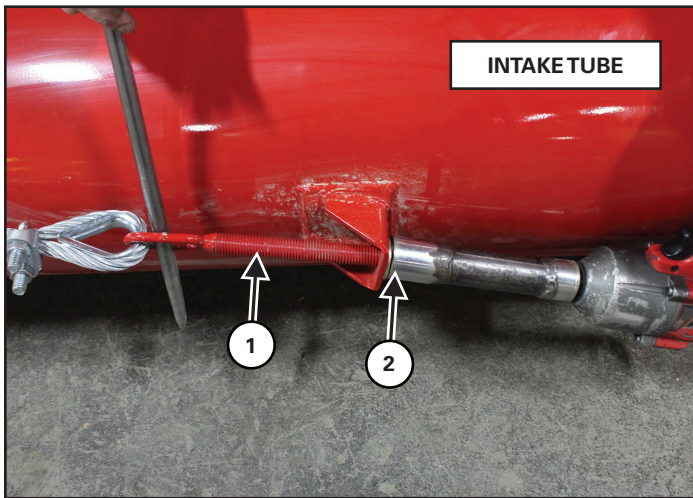
Connect the cable (Item 1) to the bracket (Item 2) [Figure 32].

Pull the cable to remove slack.

Attach the bracket to the mount on the discharge tube using hex bolt and lock nut (Item 3). Use an appropriate hole on the bracket to remove the most slack in the cable [Figure 32].

Repeat on other side.

Figure 33



Secure the eye-bolt (Item 1) and tighten the lock nut (Item 2) [Figure 33].

Tighten the cable.

Repeat on other side. Tighten the cables evenly.



IMPORTANT

DO NOT bow the tube when tightening.

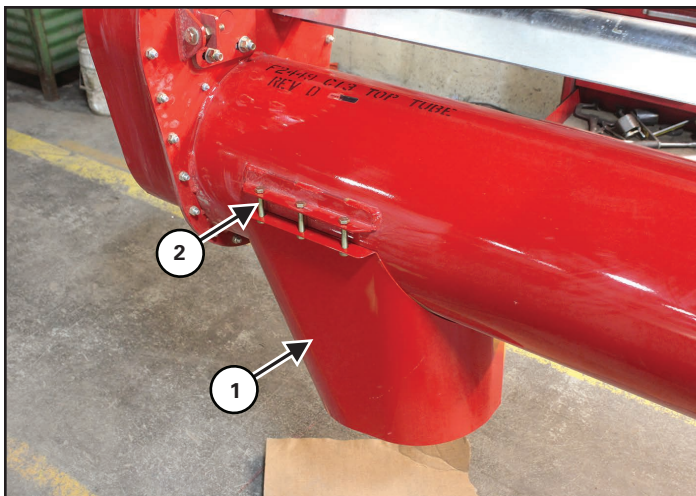


WARNING

Wear proper hand protection when handling and tightening cables.

DISCHARGE SPOUT

Figure 34



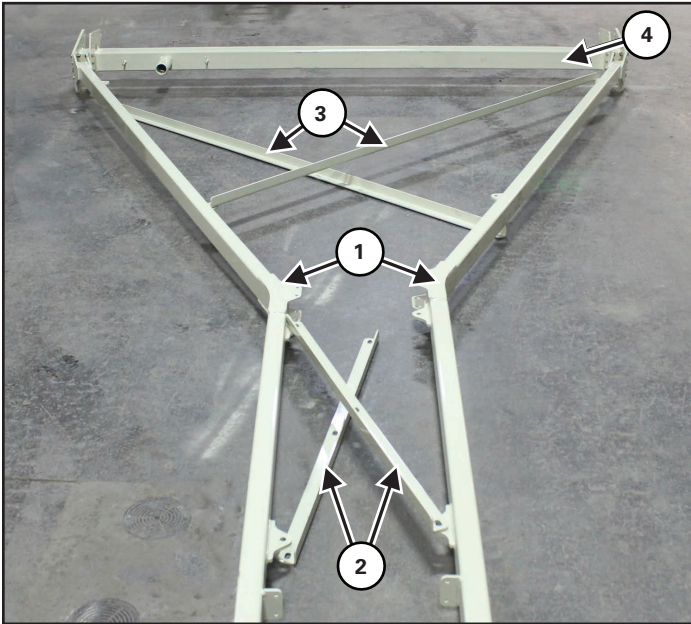
Slightly raise and secure the tube.

Attach the discharge spout (Item 1) using six 3/8" x 2" hex bolts (Item 2) and six 3/8" lock nuts [Figure 34].

UNDERCARRIAGE

Axle / Undercarriage - C1352, C1362 Models

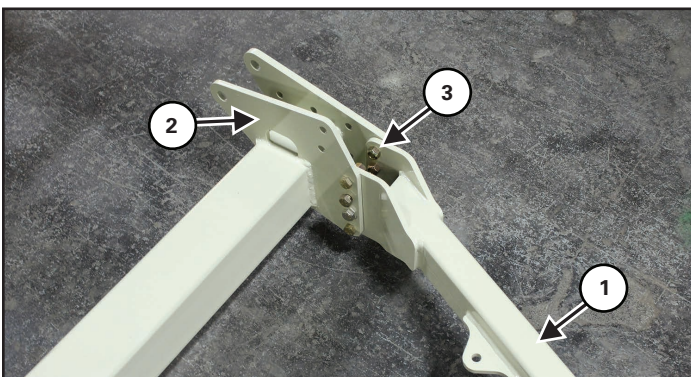
Figure 35



Organize the undercarriage components:

- LH and RH undercarriage weldments (Item 1)
- Upper cross brace weldments (Item 2)
- Lower cross brace weldments (Item 3)
- Axle weldment (Item 4) [Figure 35]

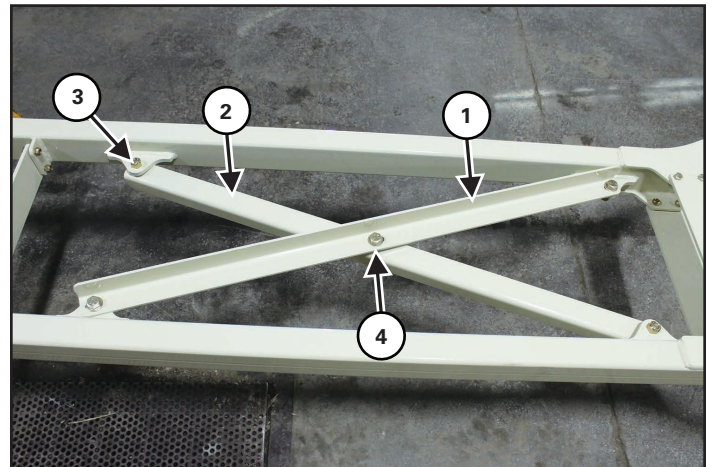
Figure 36



Position the LH and RH undercarriage weldments (Item 1) within the axle mounts (Item 2). Attach each undercarriage weldment using four 1/2" x 1-1/2" hex bolts and four 1/2" lock nuts (Item 3) [Figure 36].

Do not tighten bolts at this time.

Figure 37



Position the upper cross braces. Place one cross brace (Item 1) on top of the mounts [Figure 37].

Place one cross brace (Item 2) below the mounts [Figure 37].

Attach the ends of the braces to the undercarriage using four 1/2" x 1-1/2" hex bolts (Item 3), four 1/2" flat washers, and four 1/2" lock nuts [Figure 37].

Attach the center of the cross braces (Item 4) together using 1/2" x 1-1/2" hex bolts, 1/2" flat washers, and 1/2" lock nuts [Figure 37].

Do not tighten bolts at this time.

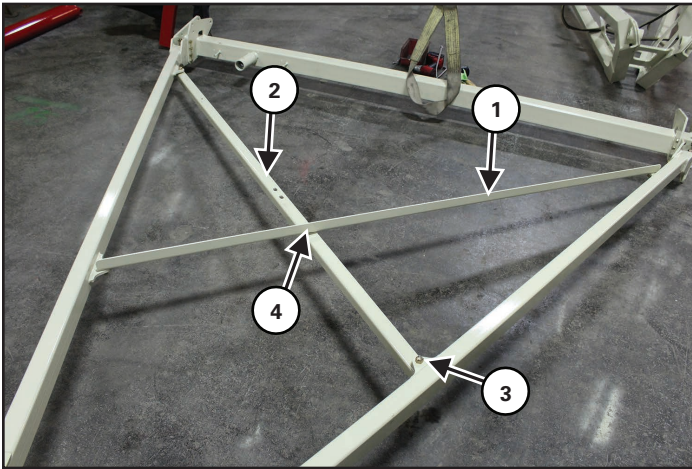


IMPORTANT

Install all undercarriage bolts with threads facing DOWN where possible.

DO not tighten undercarriage bolts at this time.

Figure 38



Position the lower cross braces. Place one cross brace (Item 1) on top of the mounts **[Figure 38]**.

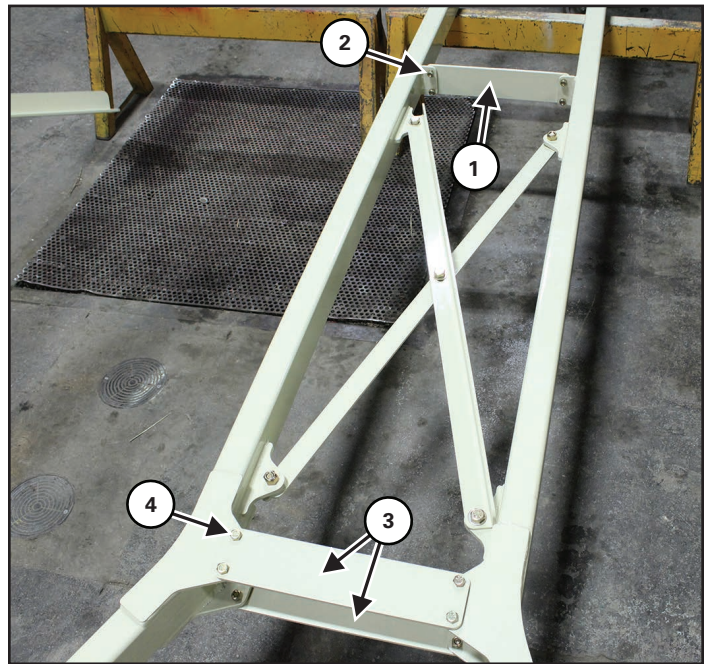
Place one cross brace (Item 2) below the mounts **[Figure 38]**.

Attach the ends of the braces to the undercarriage using four 1/2" x 1-1/2" hex bolts (Item 3), four 1/2" flat washers, and four 1/2" lock nuts **[Figure 38]**.

Attach the center of the cross braces (Item 4) together using 1/2" x 1-1/2" hex bolts, 1/2" flat washers, and 1/2" lock nuts **[Figure 38]**.

Do not tighten bolts at this time.

Figure 39



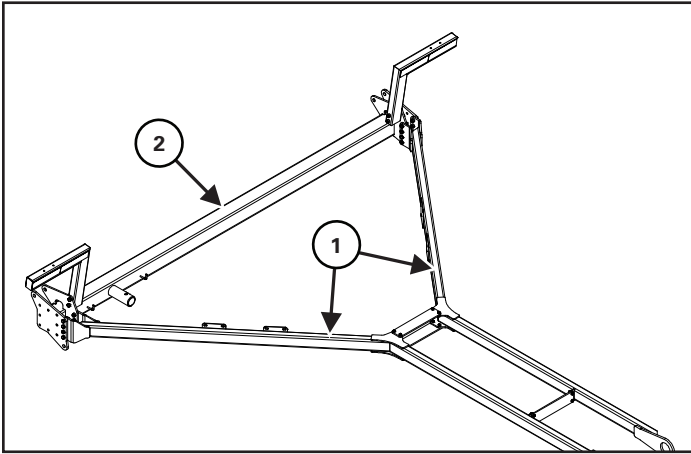
Position one cross plate (Item 1) above the vertical mounts. Attach using four 3/8" x 1" hex bolts (Item 2) and four 3/8" lock nuts **[Figure 39]**.

Position two cross plates (Item 3) on the horizontal mounts. Place one plate above the mounts and one below the mounts. Attach using eight 3/8" x 1" hex bolts (Item 4) and eight 3/8" lock nuts **[Figure 39]**.

Do not tighten bolts at this time.

Axle / Undercarriage - C1342 Models

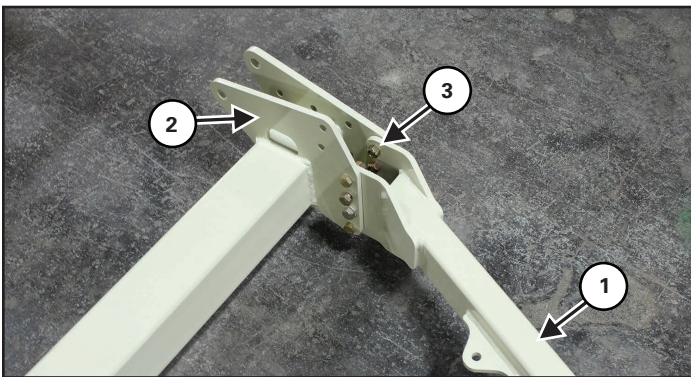
Figure 40



Organize the undercarriage components:

- LH and RH undercarriage weldments (Item 1)
- Axle weldment (Item 2) [Figure 40]

Figure 41



Position the LH and RH undercarriage weldments (Item 1) within the axle mounts (Item 2). Attach each undercarriage weldment using four 1/2" x 1-1/2" hex bolts and four 1/2" lock nuts (Item 3) [Figure 41].

Do not tighten bolts at this time.

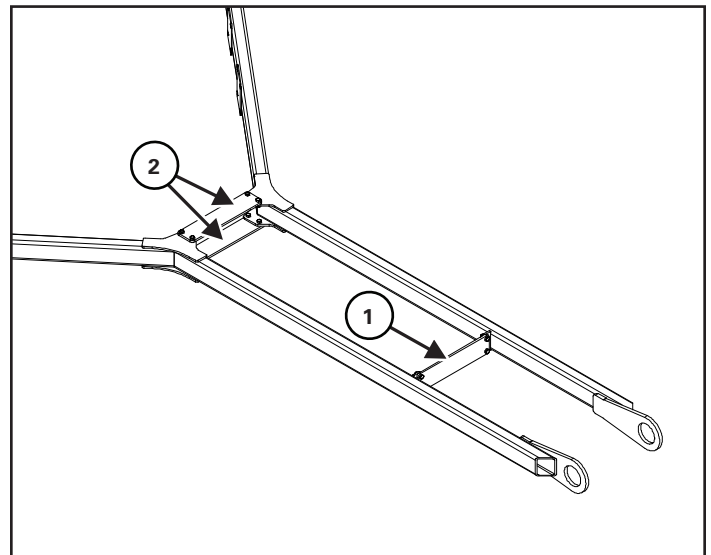
!

IMPORTANT

Install all undercarriage bolts with threads facing DOWN where possible.

DO not tighten undercarriage bolts at this time.

Figure 42



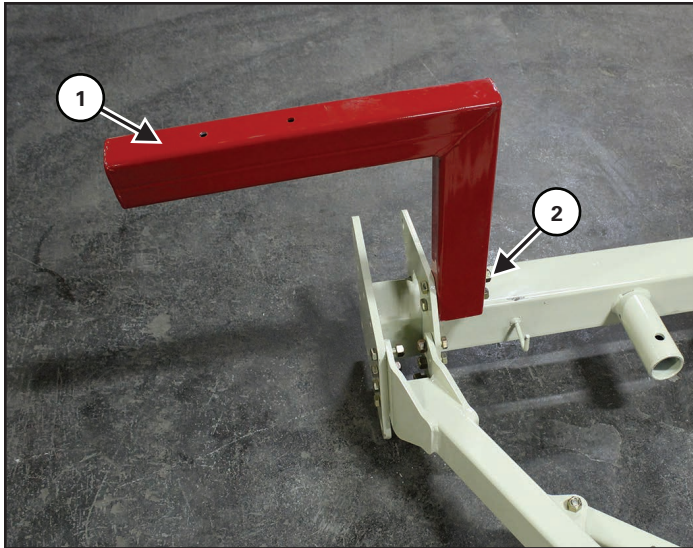
Position one cross plate (Item 1) above the vertical mounts. Attach using four 3/8" x 1" hex bolts (Item 2) and four 3/8" lock nuts [Figure 39].

Position two cross plates (Item 3) on the horizontal mounts. Place one plate above the mounts and one below the mounts. Attach using eight 3/8" x 1" hex bolts (Item 4) and eight 3/8" lock nuts [Figure 39].

Do not tighten bolts at this time.

Axle Light Stand - All Models

Figure 43



Install the LH and RH light stands (Item 1) to the axle mounts. Attach each stand using two 1/2" x 4" hex bolts and two 1/2" lock nuts (Item 2) [Figure 43].

Upper Lift Arm - All Models

Raise the auger tube using an approved lifting device. Lift the tube high enough to move the upper lift arm underneath and into position.



DO NOT work under suspended parts.

Always use lifting devices / vehicles, chains or straps of adequate size and strength.

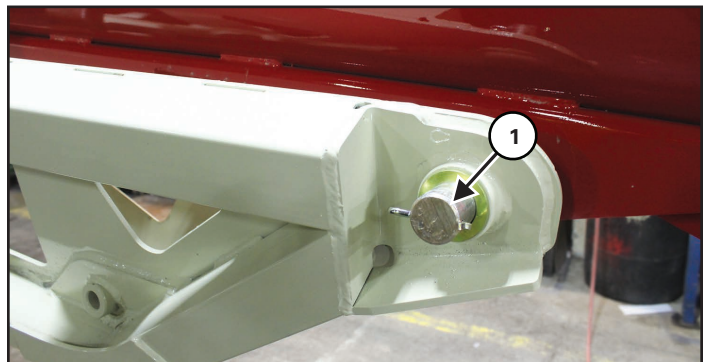
Figure 44



Move the upper lift arm underneath the auger tube. Align the pivot holes (Item 1) with the correct tube mounts, depending on model [Figure 44].

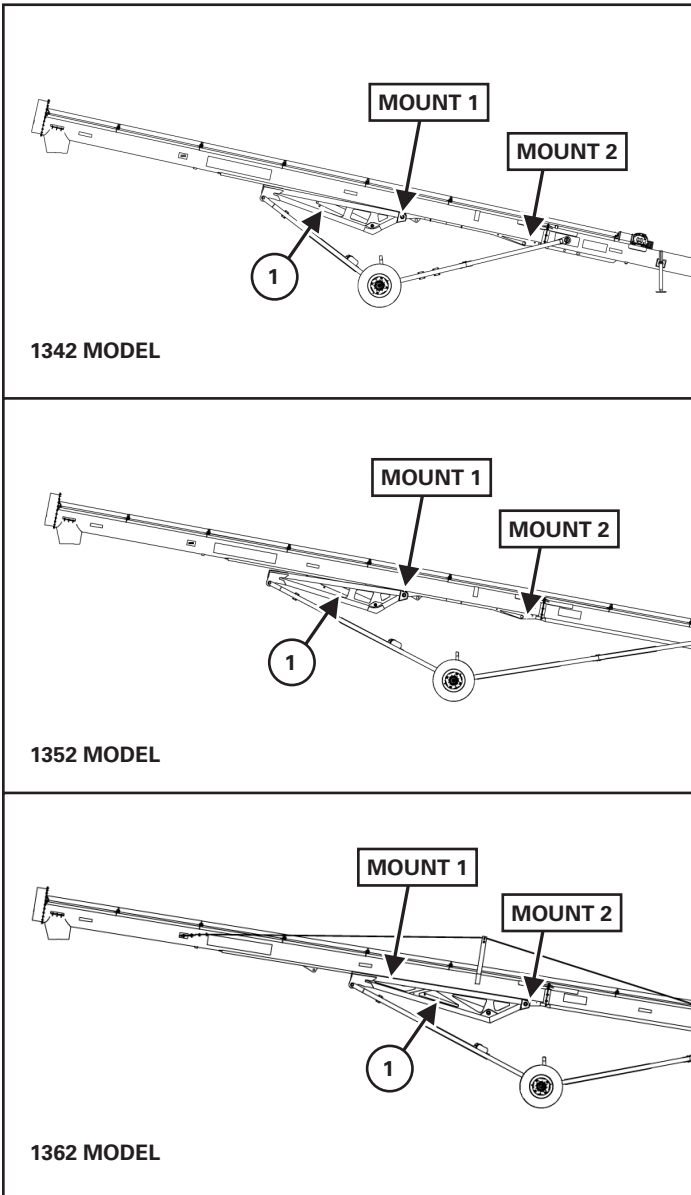
See tube mounts [Figure 46].

Figure 45



Attach the upper lift arm at the pivot holes using one pivot pin (Item 1), 1-1/2" rim washer, and cotter pin [Figure 44].

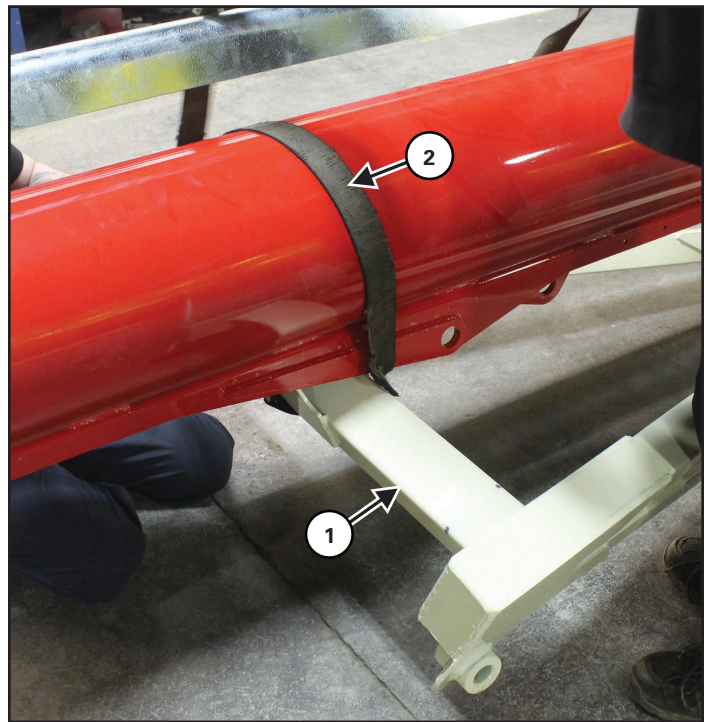
Figure 46



There are two mounts on the top (discharge) tube. Use the correct mount to install the upper lift arm (Item 1) [Figure 46]:

- 1342 Models, use Mount 1
- 1352 Models, use Mount 1
- 1362 Models, use Mount 2

Figure 47



Raise the upper lift arm (Item 1) and secure to the auger tube using straps (Item 2) of adequate size and strength [Figure 47].

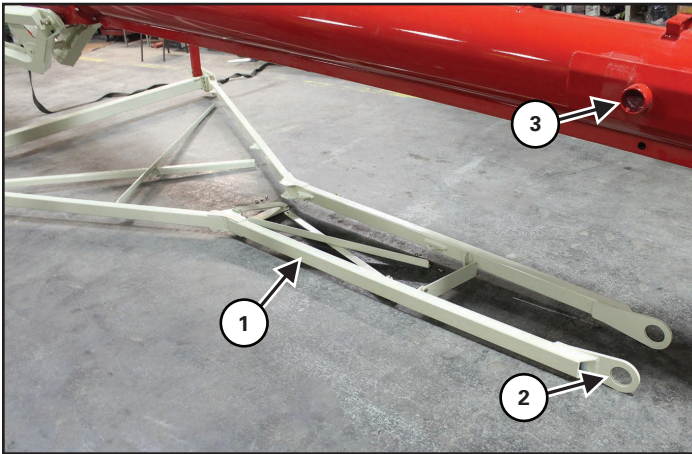
WARNING

DO NOT work under suspended parts.

Always use lifting devices / vehicles, chains or straps of adequate size and strength.

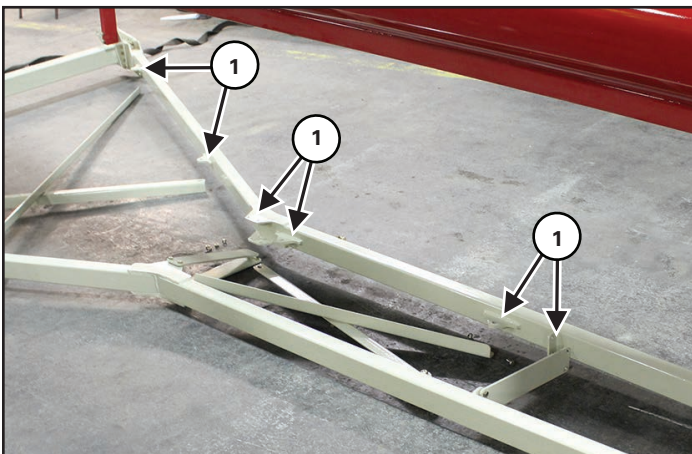
Lower Lift Arms / Undercarriage - All Models

Figure 48



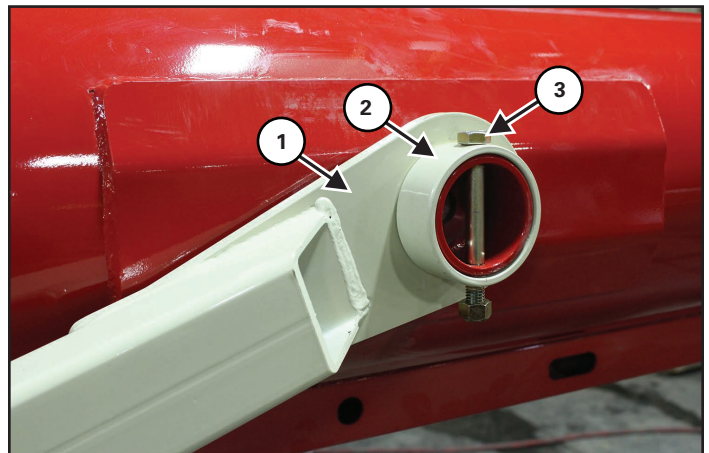
Move the undercarriage assembly (Item 1) underneath the tube. Position the pivot brackets (Item 2) with the tube mounts (Item 3) [Figure 48].

Figure 49



Unfasten the cross-members at the mounts (Item 1) on one side of the undercarriage assembly, to allow installation to the tube mounts [Figure 49].

Figure 50



Raise the undercarriage assembly. Place the pivot brackets (Item 1) onto the tube mounts (both sides). Secure the each bracket using one pin sleeve (Item 2), 1/2" x 4-1/2" hex bolt (Item 3), and one 1/2" lock nut [Figure 50].

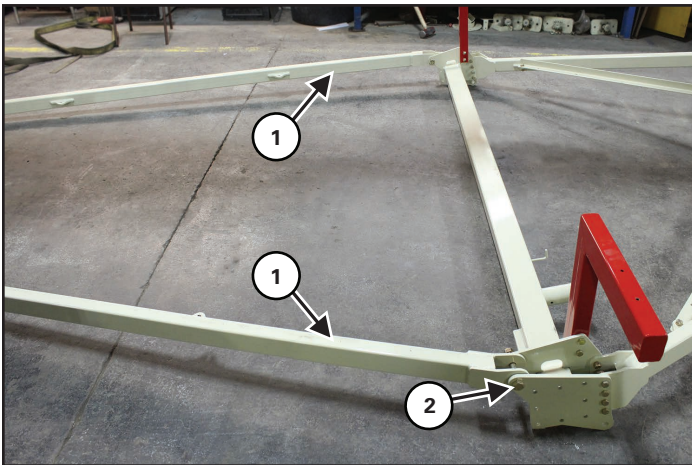
Figure 51



Refasten the undercarriage cross-members [Figure 51].

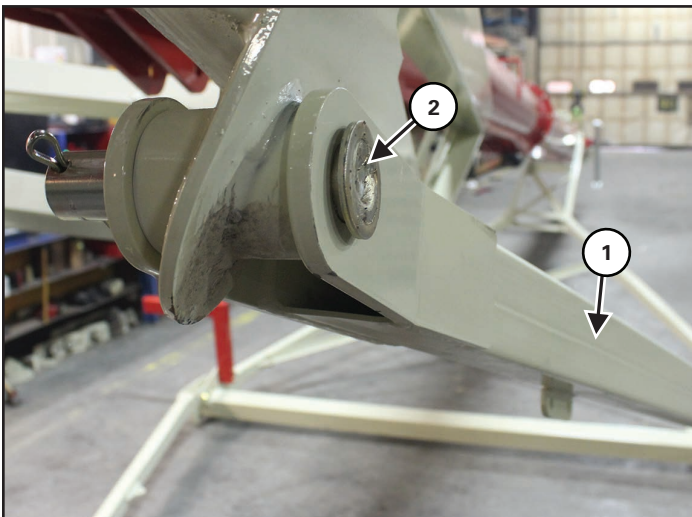
Do not tighten bolts at this time.

Figure 52



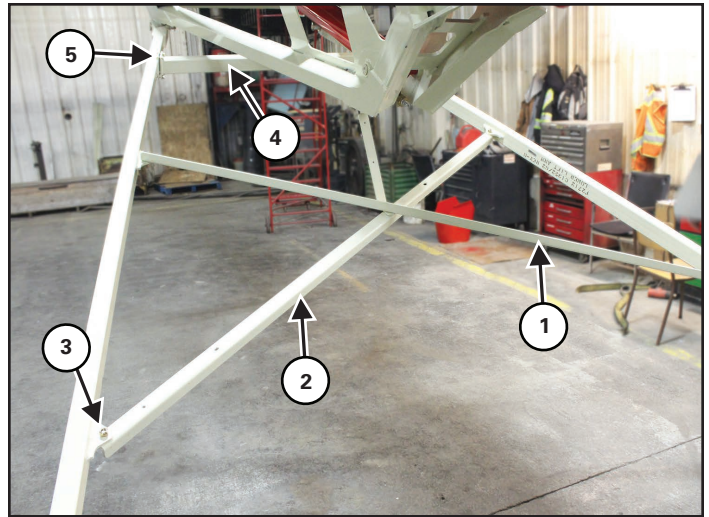
Position the LH and RH lower lift arms (Item 1) within the axle mounts. Attach using 3/4" x 5" hex bolts (Item 2) and 3/4" lock nuts [Figure 52].

Figure 53



Raise the LH and RH lower lift arms (Item 1) to upper lift arm mounts. Attach each lift arm using one pivot pin (Item 2), 1-1/4" rim washer, and cotter pin [Figure 53].

Figure 54



Position the cross braces. Place one cross brace (Item 1) on top of the mounts [Figure 54].

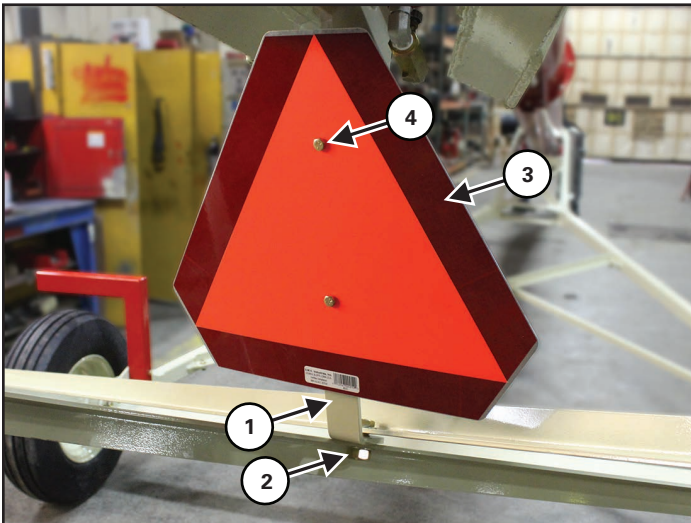
Place one cross brace (Item 2) below the mounts [Figure 54].

Attach the ends of the braces to the lower lift arms using four 1/2" x 1-1/2" hex bolts (Item 3), four 1/2" flat washers, and four 1/2" lock nuts [Figure 54].

Place the beam brace (Item 4) between the lower lift arms. Attach using eight 3/8" x 1-1/4" hex bolts and eight 3/8" lock nuts (Item 5) [Figure 54].

Do not tighten bolts at this time.

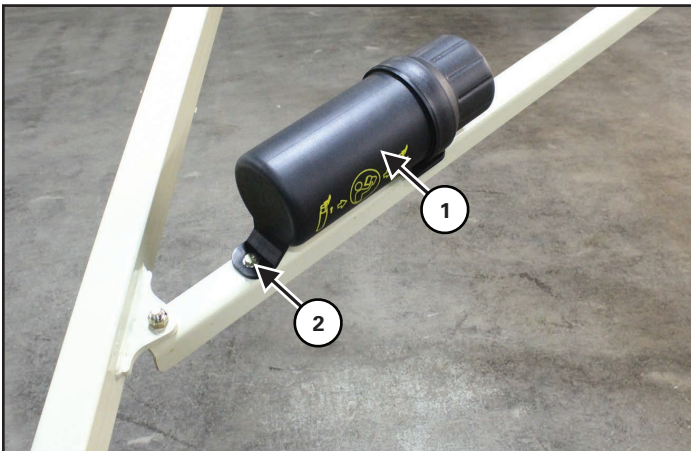
Figure 55



Position the SMV sign bracket (Item 1) at the center of the cross braces. Attach the bracket and cross braces together using one 1/2" x 1-1/2" hex bolt, two 1/2" flat washers (both sides), and one 1/2" lock nut (Item 2) [Figure 55].

Attach the SMV sign (Item 3) to the bracket using two 1/4" x 3/4" hex bolts (Item 4) and two 1/4" lock nuts [Figure 55].

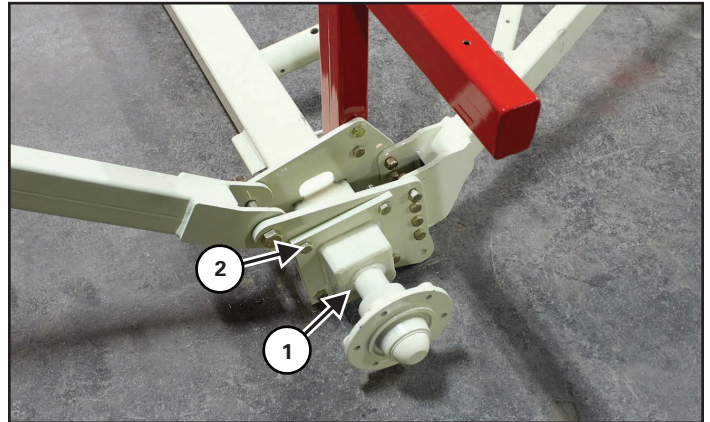
Figure 56



Attach the manual cannister (Item 1) to the cross brace using two 5/16" x 1-1/4" hex bolts (Item 2), two 5/16" flat washers, and two 5/16" lock nuts [Figure 56].

Wheels / Stub Axles - All Models

Figure 57



Align the LH and RH stub axles (Item 1) to the axle mounts. Attach each stub axle using four 1/2" x 2" hex bolts (Item 2) and four 1/2" lock nuts [Figure 57].

Figure 58



Raise the axle using an approved lifting device. Attach the wheel / tire using six wheel bolts (Item 1) [Figure 58].

Torque wheel bolts to 120 ft-lbs. (162 Nm).

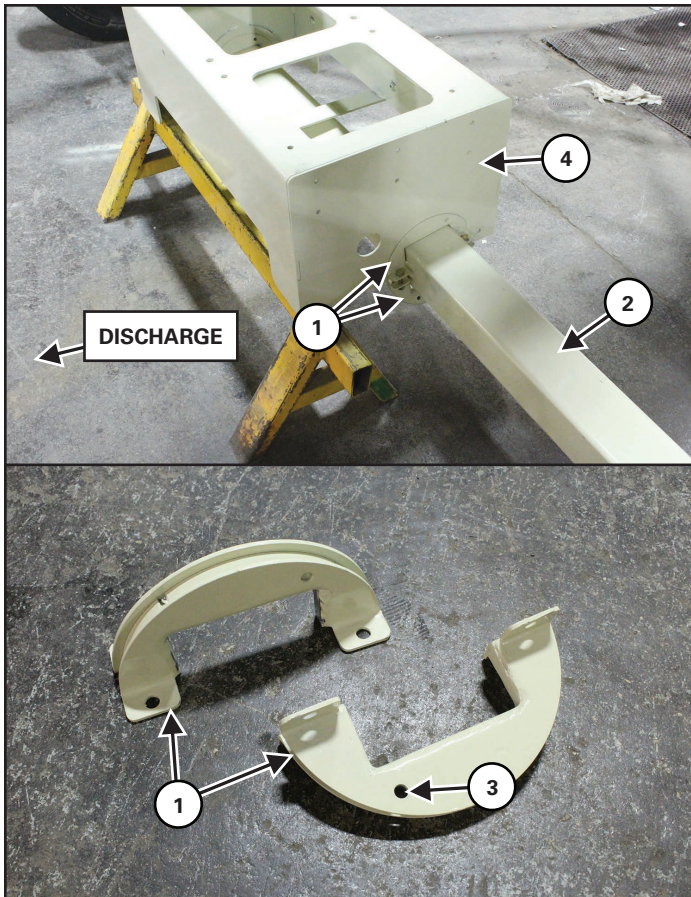
WARNING

Always use lifting devices / vehicles, chains or straps of adequate size and strength.

MOUNT - ENGINE

Mount Engine - 1352, 1362 Models

Figure 59



Fit the square portions of two guide weldments (Item 1) around the axle (Item 2). Make sure the grease holes (Item 3) are facing outwards [Figure 59].

Attach the weldments using four 3/8" x 1-1/2" hex bolts and four 3/8" lock nuts.

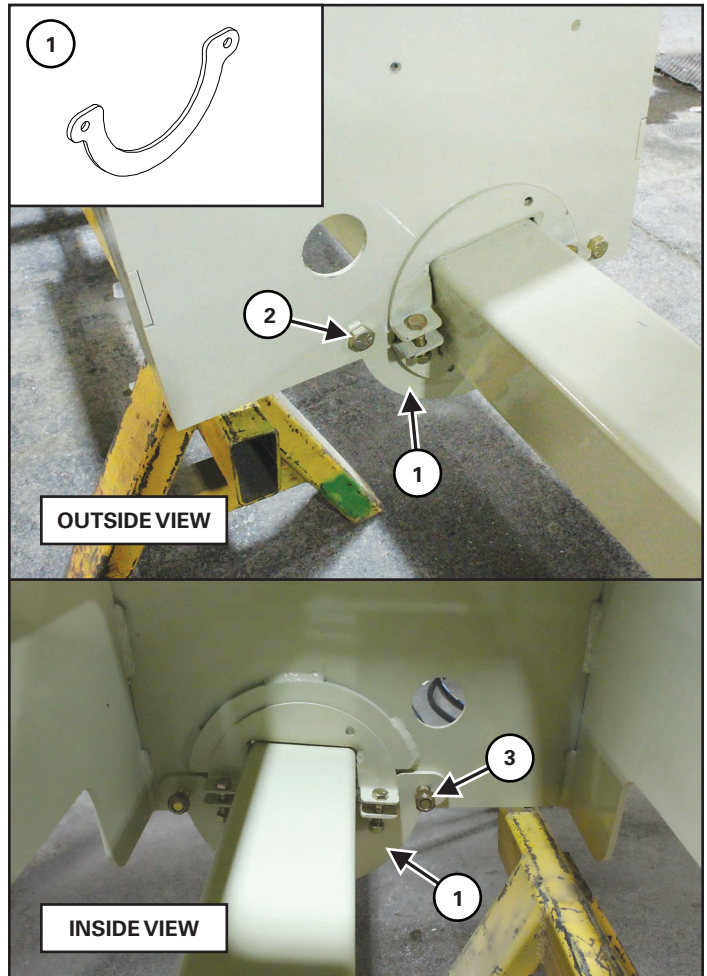
Repeat to install a second set of guide weldments to the axle.

Position the motor mount (Item 4) onto the guide weldments (Item 1). Align the circular cut-outs of the motor mount within the circular slots of the guide weldments [Figure 59].

! IMPORTANT

Make sure the longer portion of the mount faces the intake. Support the motor mount using stands of adequate size and strength [Figure 59].

Figure 60

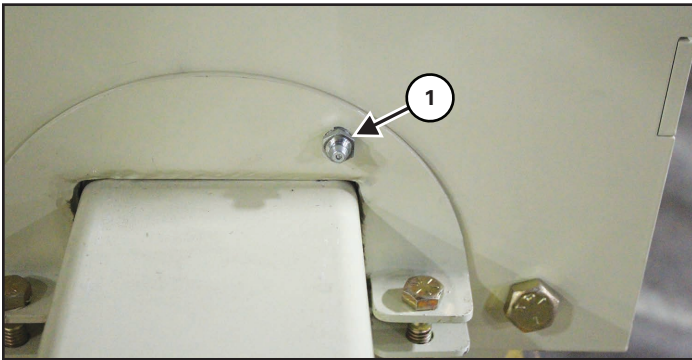


Position the plate (Item 1) inside the motor mount. Align the plate to the motor mount holes and within the circular slot of the guide weldments [Figure 60].

Attach the plate through the holes using two 1/2" x 1-1/2" hex bolts (Item 2) and 1/2" lock nuts (Item 3) [Figure 60].

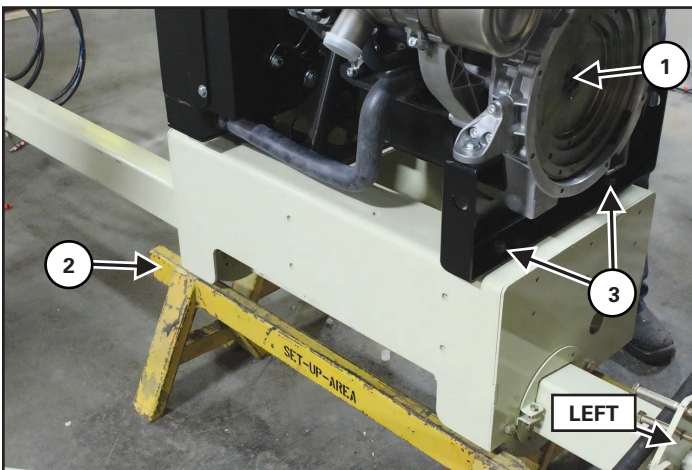
Repeat to install a second plate on the other side of the motor mount.

Figure 61



Install one grease zerk (Item 1) to each of the guide weldments. There are four grease zerk locations [Figure 61].

Figure 62



Prepare the engine for installation.

Move the engine onto the mount using a lifting device of adequate size and strength. Position the engine drive (Item 1) facing left [Figure 62].

Make sure the mount is supported with stands (Item 2) of adequate size and strength [Figure 62].

Install the engine to the mount using hardware (Item 3) specified for the engine [Figure 62].

Note: The directions left, right, front, and rear, as mentioned throughout this manual, are as viewed by the operator sitting in the tractor seat while towing the implement.

! IMPORTANT

Contact your dealer for proper engine installation.

Your specific engine may not be depicted.

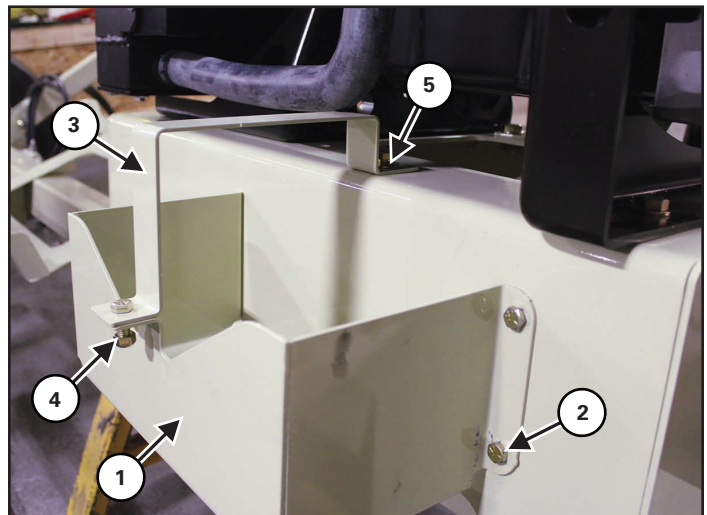
! WARNING



DO NOT work under suspended parts.

Always use lifting devices / vehicles, chains or straps of adequate size and strength.

Figure 63

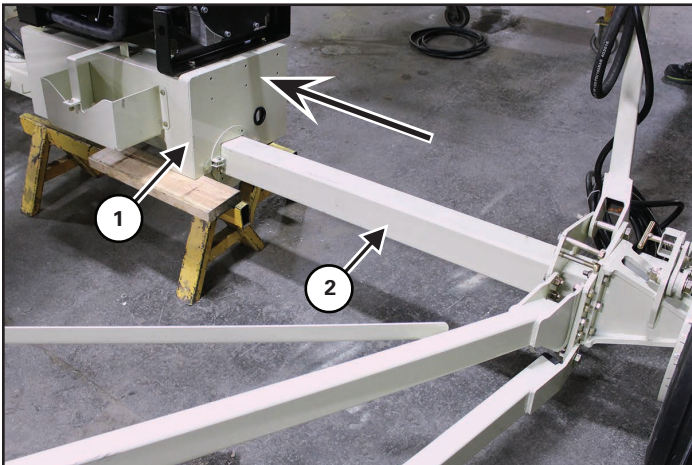


Position the battery holder (Item 1) on the side of the engine mount. Attach using four 3/8" x 1" hex bolts (Item 2) [Figure 63].

Position the bracket (Item 3) onto battery holder. Attach using one 3/8" x 1" hex bolt (Item 4) and one 3/8" lock nut [Figure 63].

Attach the bracket to the engine mount using one 3/8" x 1" hex bolt (Item 5) and one 3/8" flat washer [Figure 63].

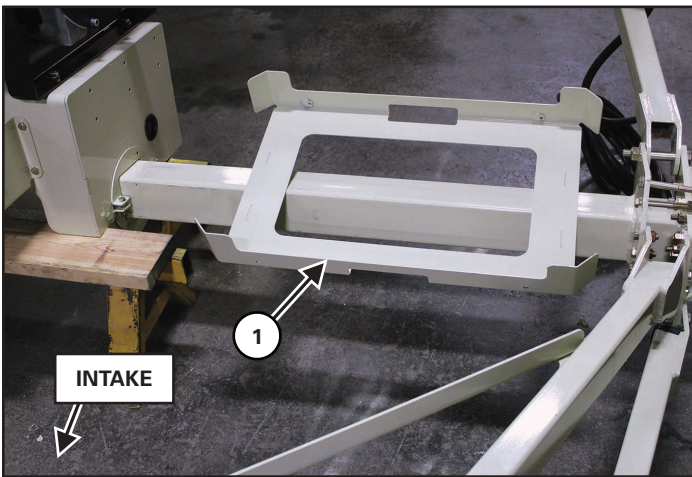
Figure 64



Slide the engine and mount (Item 1) across the axle (Item 2) to make room for the fuel tank [Figure 64].

Make sure the mount is supported with stands and lifting devices of adequate size and strength.

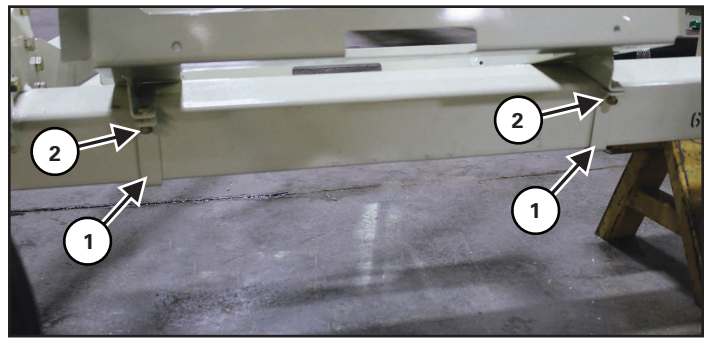
Figure 65



Position the fuel tank mount (Item 1) on the axle [Figure 65].

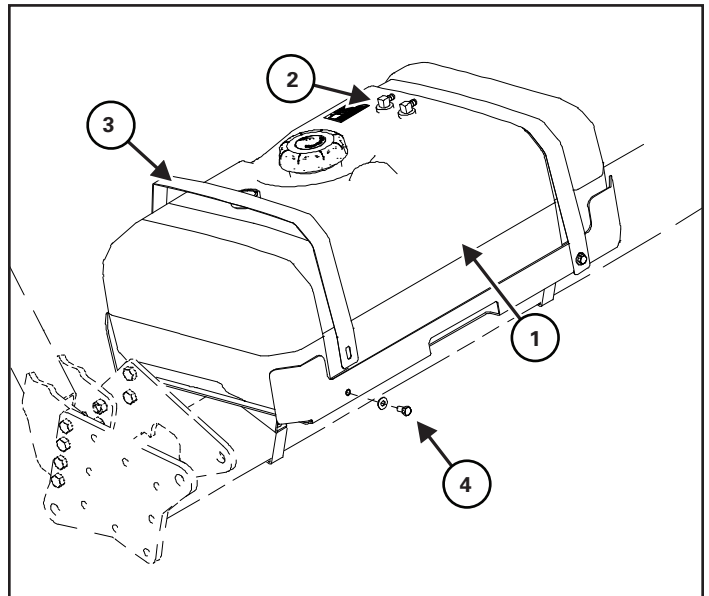
Angle the mount towards the intake.

Figure 66



Position two brackets (Item 1) around the axle to the bottom of the fuel tank mount. Attach bracket using two 3/8" x 1" hex bolt (Item 2) and two 3/8" lock nut [Figure 66].

Figure 67

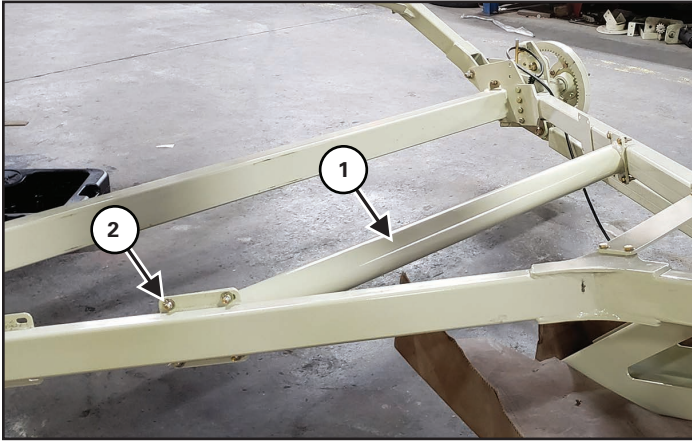


Place the fuel tank (Item 1) within the mount. Make sure the fuel fittings (Item 2) face the engine [Figure 67].

Position two straps (Item 3) over the tank. Attach each strap to the mount using two 5/16 x 5/8" hex bolts (Item 4) and two 5/16" flat washers [Figure 67].

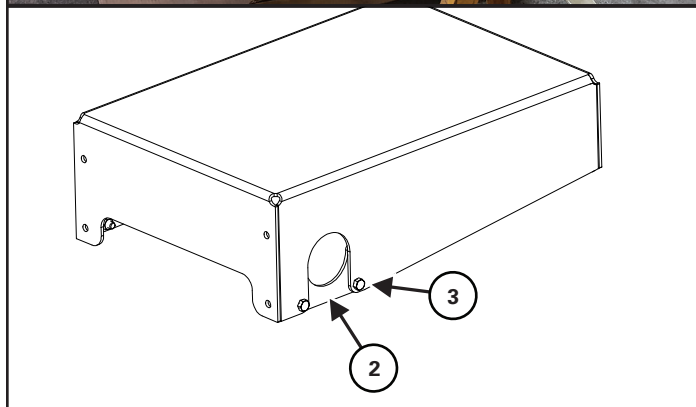
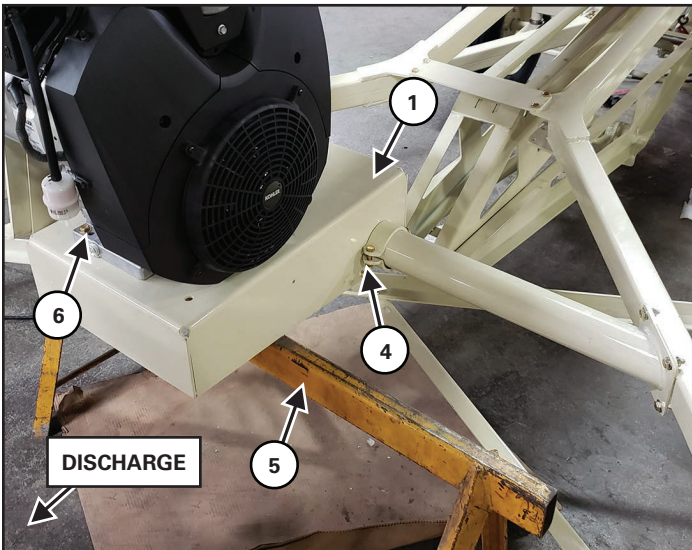
Mount - Engine - 1342 Models

Figure 68



Position the cross brace (Item 1) between the undercarriage weldments. Attach the cross brace to the mounts using eight 3/8" x 1" hex bolts, eight 3/8" flat washers, and eight 3/8" lock nuts (Item 2) [Figure 68].

Figure 69



Position the motor mount (Item 1) on the cross brace [Figure 69].

Attach two plates (Item 2) on the inside of the mount, and around the cross brace. Attach each plate using two 3/8" x 1" hex bolts (Item 3) and two 3/8" lock nuts [Figure 69].

Attach the bracket halves (Item 4) on the outside of the mount. Attach each pair of bracket halves using two 3/8" x 1-1/4" and two 3/8" lock nuts [Figure 69].

Prepare the engine for installation.

Move the engine onto the mount using a lifting device of adequate size and strength. Position the engine drive facing left.

Make sure the mount is supported with stands (Item 5) of adequate size and strength [Figure 69].

Install the engine to the mount using hardware (Item 6) specified for the engine [Figure 69].

! IMPORTANT

Contact your dealer for proper engine installation.
Your specific engine may not be depicted.

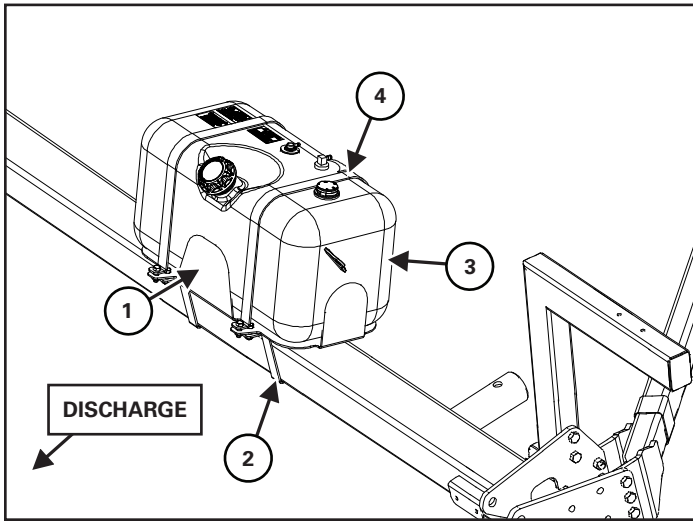
! WARNING



DO NOT work under suspended parts.

Always use lifting devices / vehicles, chains or straps of adequate size and strength.

Figure 70



Position fuel tank mount (Item 1) on the right side of the axle weldment. Angle the mount toward the engine [Figure 70].

Position two brackets (Item 2) around the axle and to the bottom of the mount. Attach each bracket to the mount using two 5/16" x 1" hex bolts and two 5/16" lock nuts [Figure 70].

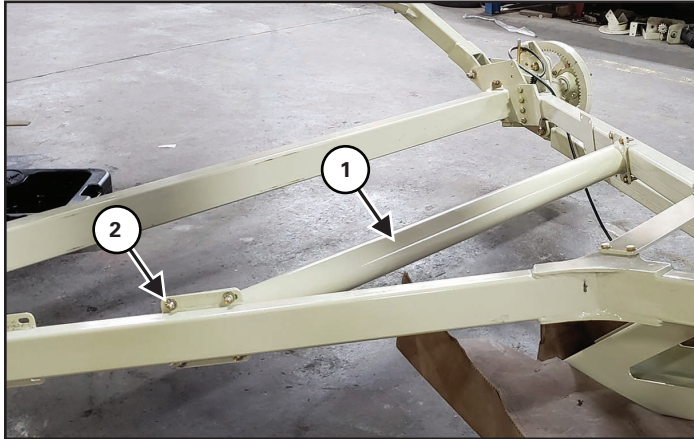
Place the fuel tank (Item 3) within the mount. Make sure the hose fittings face the engine [Figure 70].

Install two straps (Item 4) over the fuel tank. Attach each strap to the mount using two 5/16" x 1" hex bolts and two 5/16" lock nuts [Figure 70].

MOUNT - PTO BELT

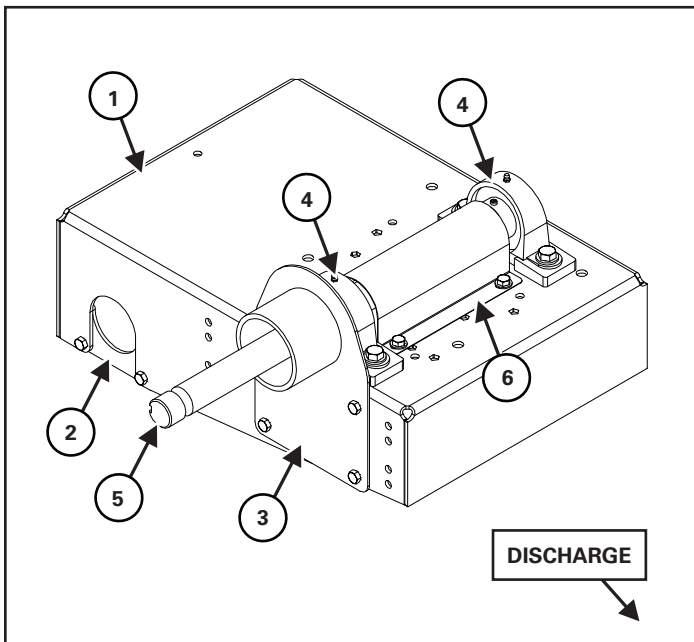
Mount - PTO Belt - 1342 Models

Figure 71



Position the cross brace (Item 1) between the undercarriage weldments. Attach the cross brace to the mounts using eight 3/8" x 1" hex bolts, eight 3/8" flat washers, and eight 3/8" lock nuts (Item 2) [Figure 71].

Figure 72



Position the PTO drive mount (Item 1) on the cross brace. Attach two plates (Item 2) on the inside of the mount, and around the cross brace [Figure 72].

See [Figure 69] to install mount.

Position the plate (Item 3) on the side of the mount. Attach using four 3/8" x 1" hex bolts and four 3/8" lock nuts [Figure 72].

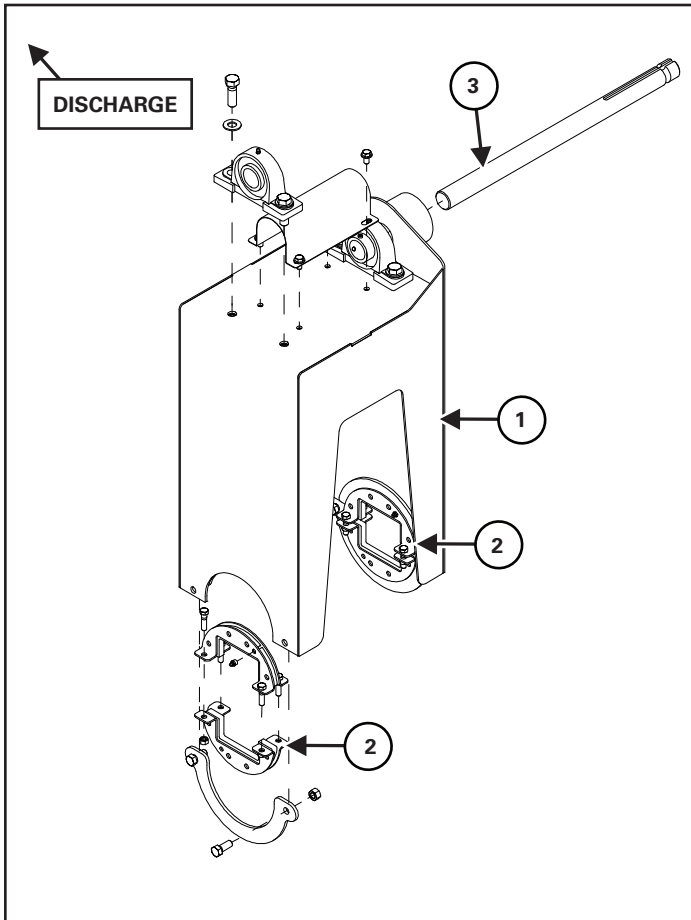
Align two pillow bearings (Item 4) with the side plate and holes on top of the mount. Attach each pillow bearing using two 1/2" x 2" hex bolts, two 1/2" flat washers, and two 1/2" lock nuts [Figure 72].

Slide the PTO shaft (Item 5) through the side plate and pillow bearings. Tighten bearings [Figure 72].

Place the PTO shield (Item 6) over the shaft and bearings. Attach the shield to the mount using four 3/8" x 1" hex bolts, four 3/8" flat washers, and four 3/8" lock nuts [Figure 72].

Mount - PTO Belt - 1352, 1362 Models

Figure 73



Place the PTO drive mount (Item 1), and mounting plates (Item 2) on the axle **[Figure 73]**.

See **[Figure 59]**, **[Figure 60]**, and **[Figure 61]** to install the mounting plates.

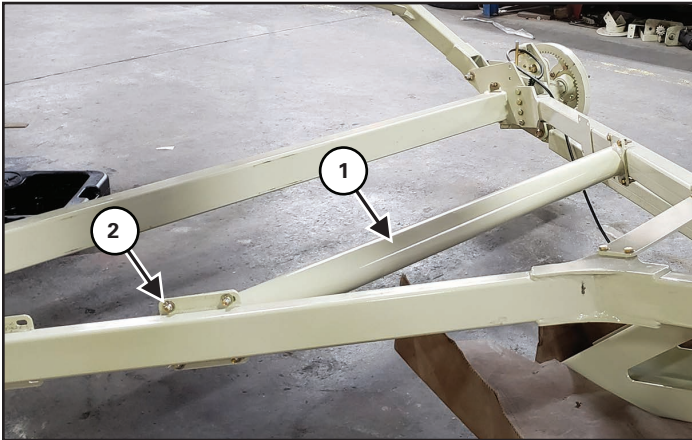
Install the PTO drive shaft (Item 3) and bearings on top of the mount **[Figure 73]**.

See **[Figure 72]** to install the PTO drive.

MOUNT - ELECTRIC MOTOR

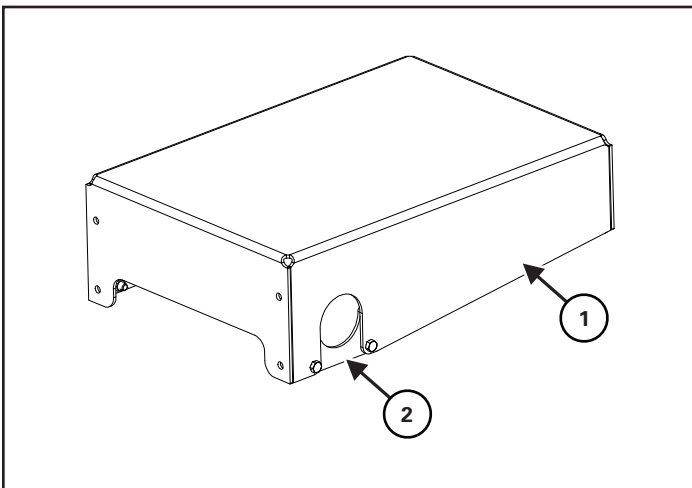
Mount Electric Motor - 1342 Models

Figure 74



Position the cross brace (Item 1) between the undercarriage weldments. Attach the cross brace to the mounts using eight 3/8" x 1" hex bolts, eight 3/8" flat washers, and eight 3/8" lock nuts (Item 2) [Figure 74].

Figure 75

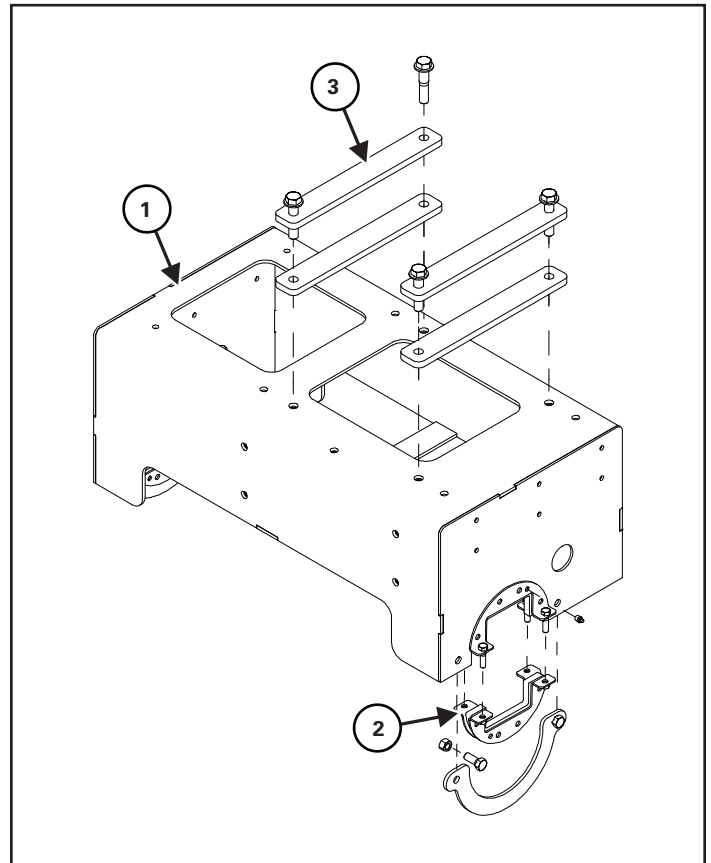


Position the motor mount (Item 1) on the cross brace. Attach two plates (Item 2) on the inside of the mount, and around the cross brace [Figure 75].

See [Figure 69] to install mount.

Mount - Electric Motor - 1352, 1362 Models

Figure 76



Place the motor mount (Item 1), and mounting plates (Item 2) on the axle [Figure 76].

See [Figure 59], [Figure 60], and [Figure 61] to install the mounting plates.

Motor spacers (Item 3) are provided [Figure 76].



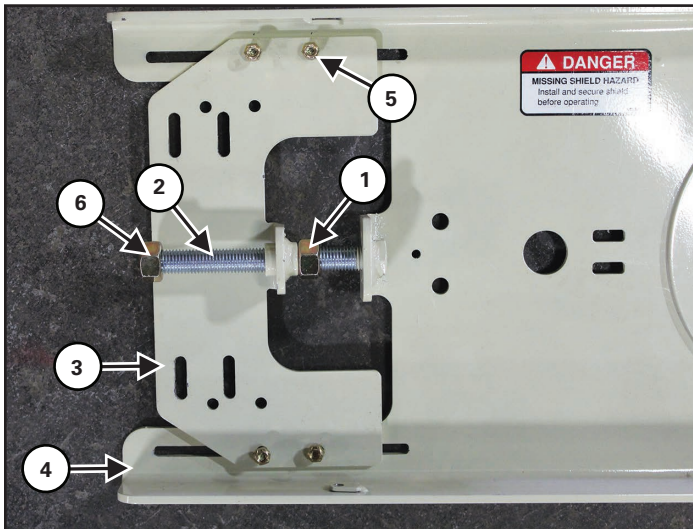
IMPORTANT

Contact your dealer for proper engine installation.

DRIVE - ENGINE

Pivot Guard - All Models

Figure 77



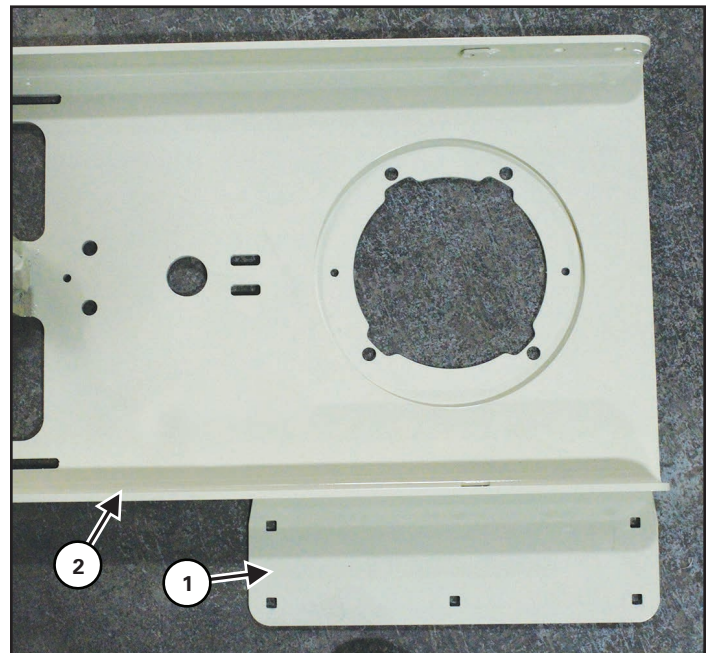
Thread one 3/4" hex nut (Item 1) onto the adjustment bolt (Item 2), then one 5/8" flat washer after the nut [Figure 77].

Position the slide plate (Item 3) on the adjustment bolt. Align the holes of the slide plate with the slots of the pivot guard (Item 4) [Figure 77].

Attach the slide plate to the slots using four 5/16" x 1" carriage bolts and four 5/16" lock nuts (Item 5). Place the carriage bolts within the slots [Figure 77].

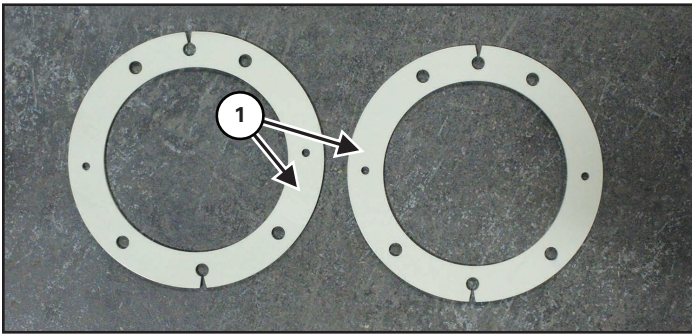
Thread one 5/8" flat washer onto the adjustment bolt, then one 3/4" hex nut (Item 6) after the washer [Figure 77].

Figure 78



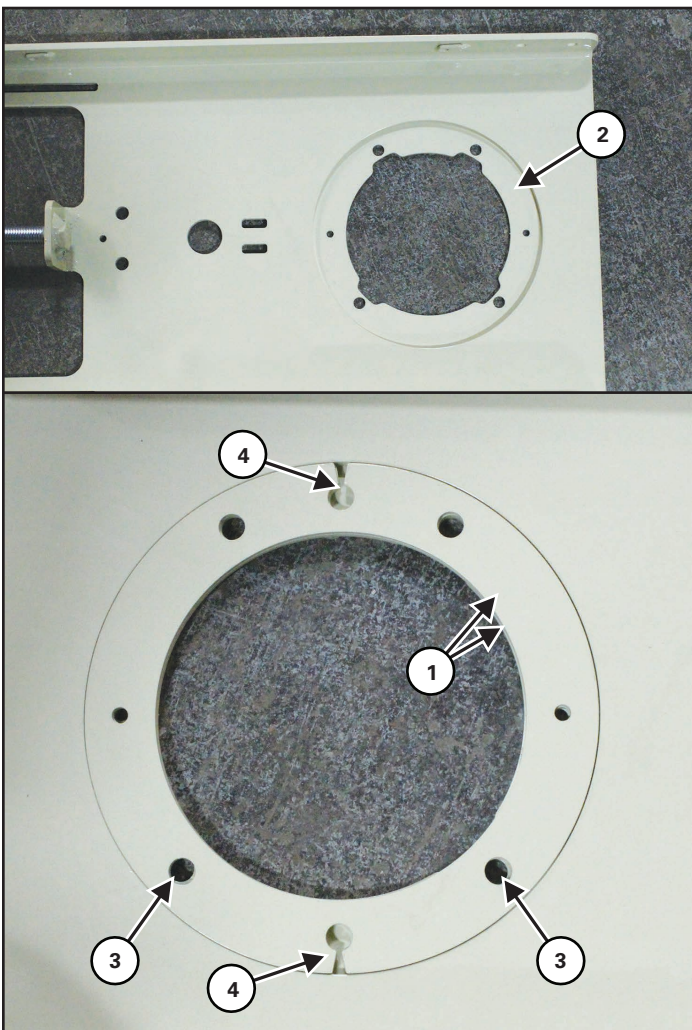
Place the mounting plate (Item 1) on the outside of the pivot guard (Item 2). Align the hole cut-outs [Figure 78].

Figure 79



Find the two ring plates (Item 1) [Figure 79].

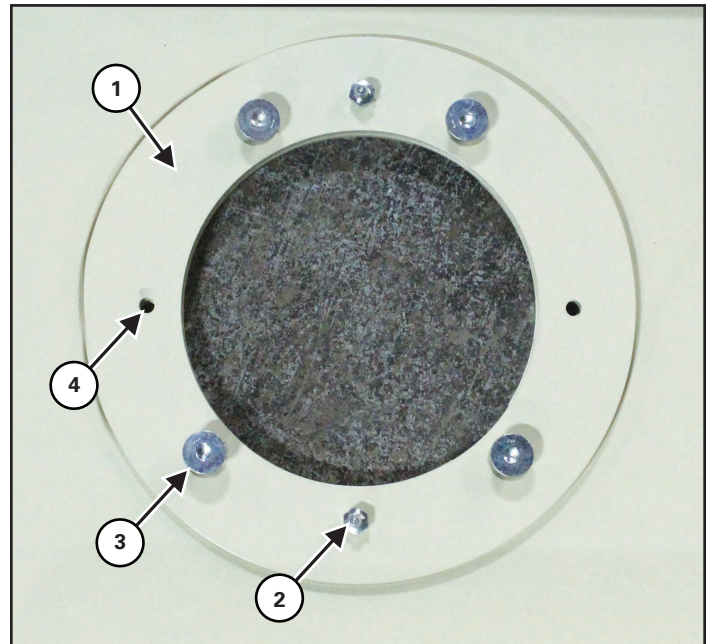
Figure 80



Place the two ring plates (Item 1) within the cut-outs (Item 2) of the guard and plate [Figure 80].

The bottom holes (Item 3) are spaced wider than the top holes. The grease slots (Item 4) are positioned at the top and bottom [Figure 80].

Figure 81



Place the outer ring plate (Item 1) on top of the other ring plates. Align the holes [Figure 81].

Install two grease zerks (Item 2) to the top and bottom holes [Figure 81].

Install four 7/16" x 1-1/4" flat head screws (Item 3) and four 7/16" lock nuts to the corner holes [Figure 81].

Install two 1/4" x 1" hex bolts (Item 4) and two 1/4" lock nuts to the side holes [Figure 81].

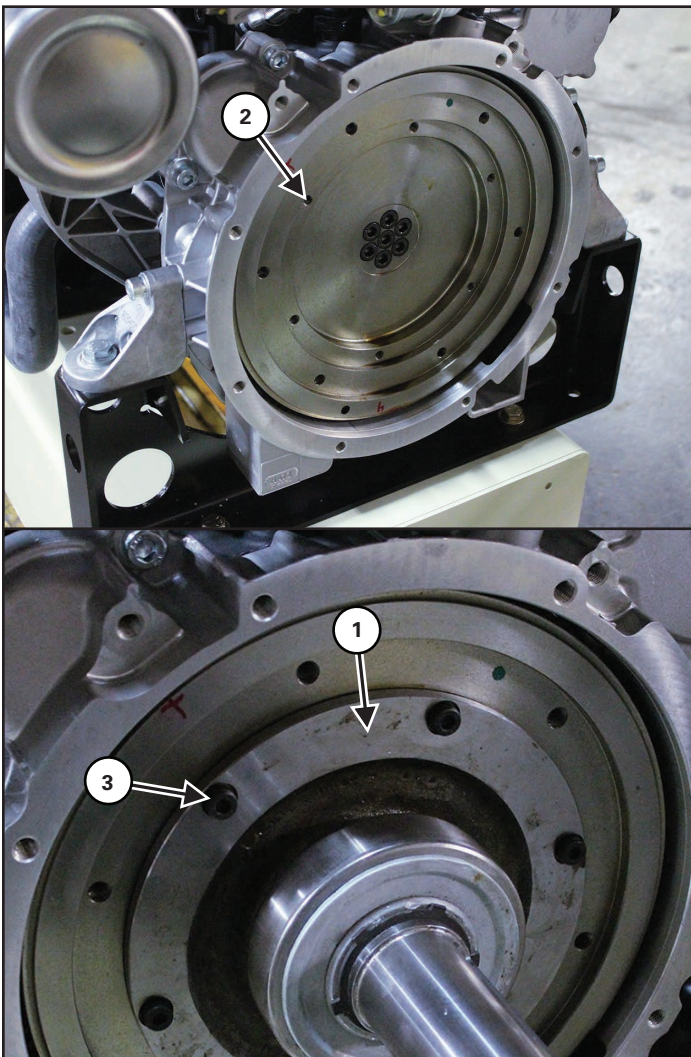
Drive - Engine - 1352, 1362 Models



IMPORTANT

Contact your dealer for proper engine installation.
The following may not depict your specific engine.

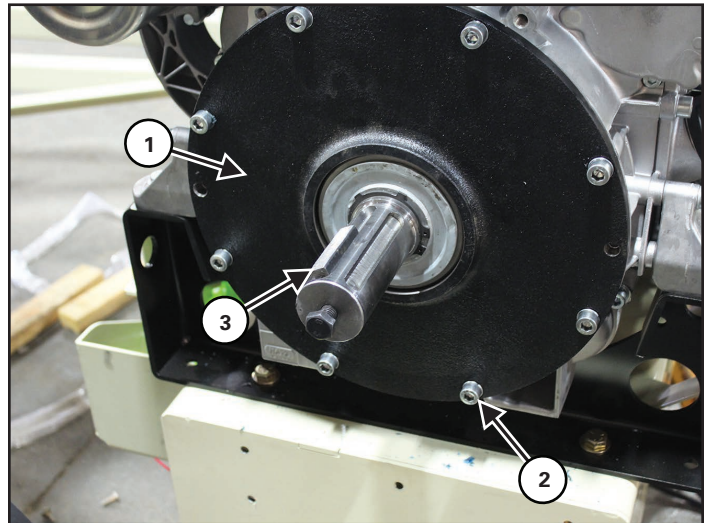
Figure 82



Align the engine PTO (Item 1) to the holes (Item 2) of the engine. Attach using flat head screws (Item 3) [Figure 82].

Note: Tighten screws in a criss-cross pattern.

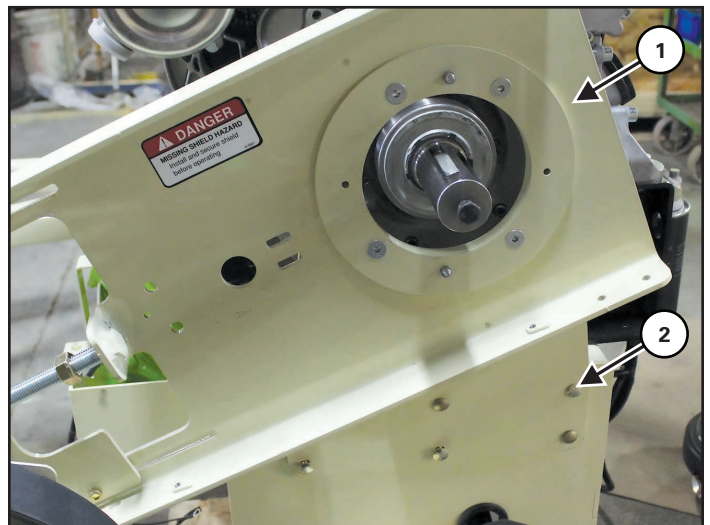
Figure 83



Attach the housing plate (Item 1) over the engine PTO using flat head screws (Item 2) [Figure 83].

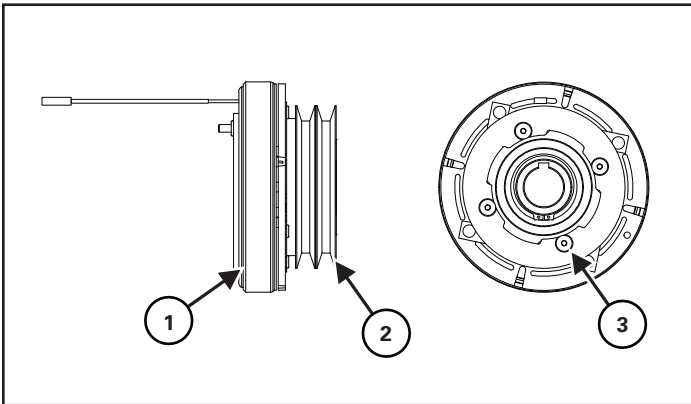
Install one 1/2" x 1/2" x 2-1/4" key (Item 3) to the PTO shaft [Figure 83].

Figure 84



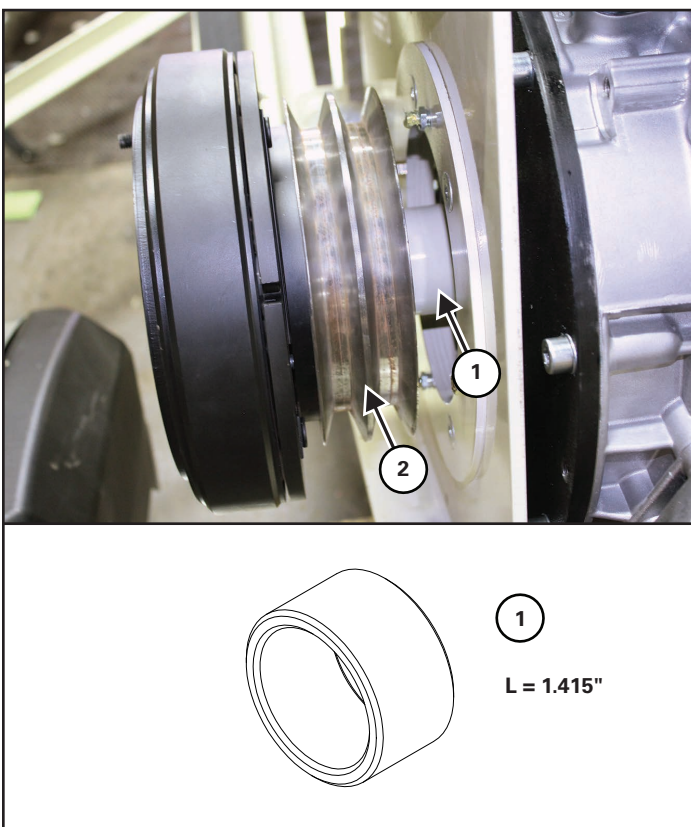
Position the pivot guard (Item 1) over the PTO shaft. Align the mounting plate with the side of the engine mount. Attach using six 5/16" x 1" carriage bolts (Item 2) and six 5/16" lock nuts [Figure 84].

Figure 85



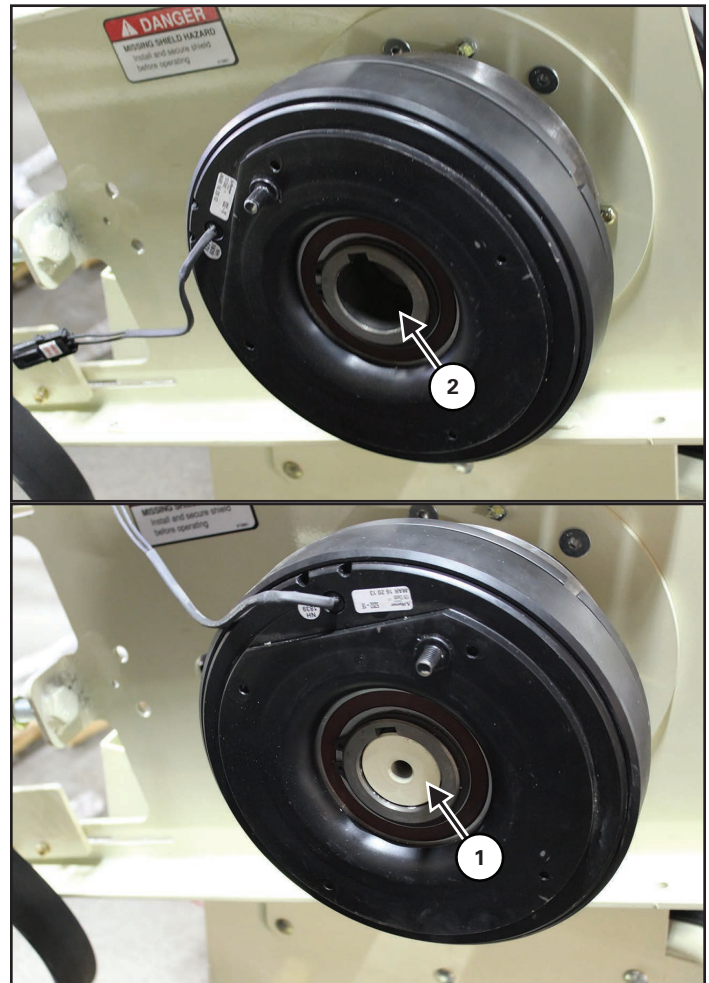
Attach the electric clutch (Item 1) and 8" double sheave pulley (Item 2) using four 3/8" x 2-1/2" flat head screws (Item 3) [Figure 85].

Figure 86



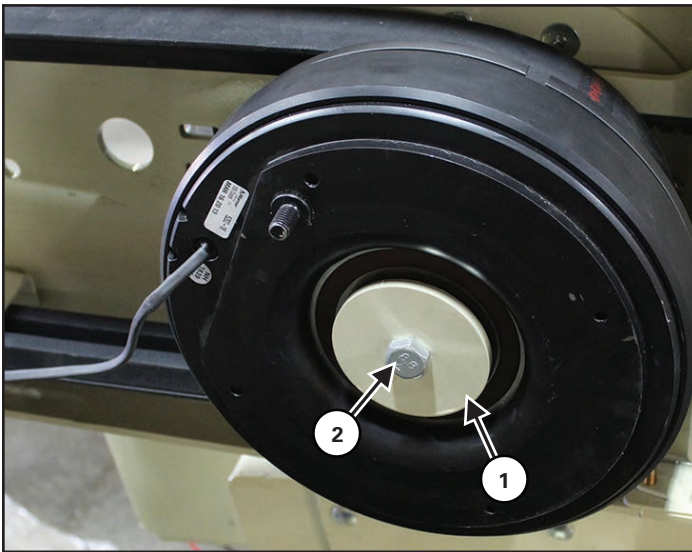
Place one 1.415" long spacer (Item 1) onto the shaft. Place the electric clutch and pulley (Item 2) onto the shaft [Figure 86].

Figure 87



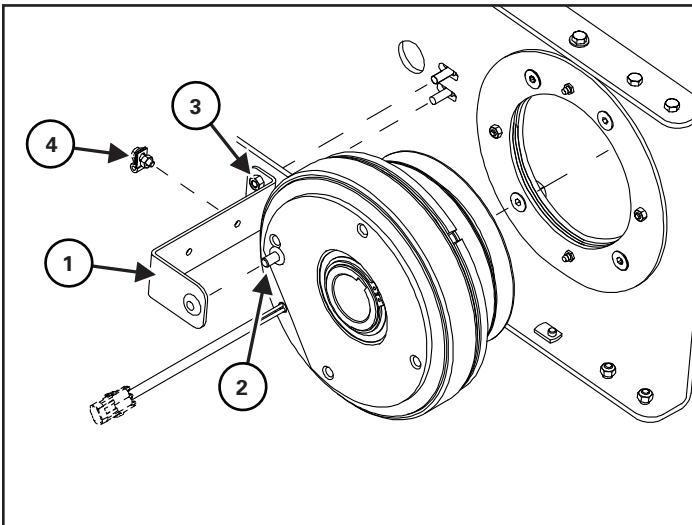
Place the 1.805" long stub shaft (Item 1) into the electric clutch opening (Item 2) [Figure 87].

Figure 88



Attach one washer spacer (Item 1) and one M12 x 1.75 mm x 65 mm hex bolt (Item 2) to the stub shaft [Figure 88].

Figure 89



Place the bracket (Item 1) on the electric clutch stub (Item 2). Attach the bracket to the guard using two 5/16" x 1" carriage bolts and two 5/16" lock nuts (Item 3) [Figure 89].

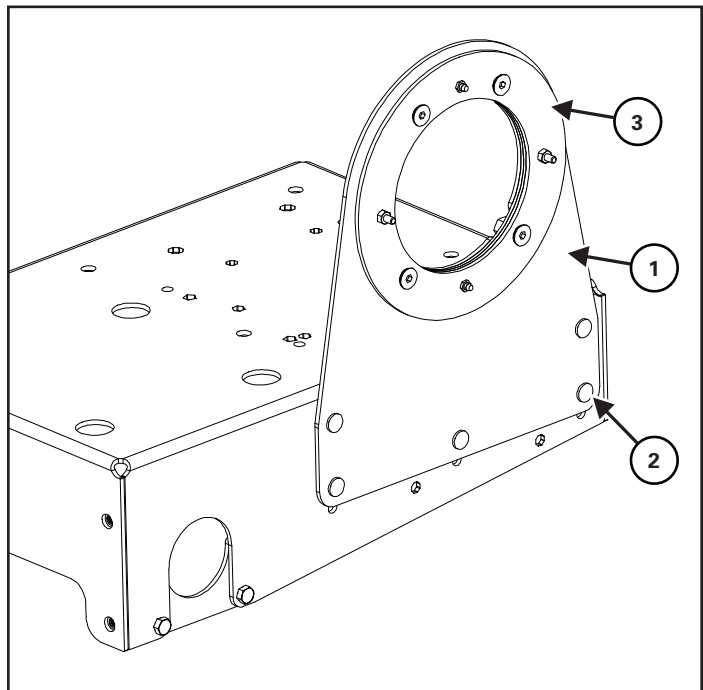
Attach one P-clip (Item 4) to the bracket using one 1/4" x 3/4" hex bolt and 1/4" lock nut [Figure 89].

Drive - Engine - 1342 Models



Contact your dealer for proper engine installation. The following may not depict your specific engine.

Figure 90

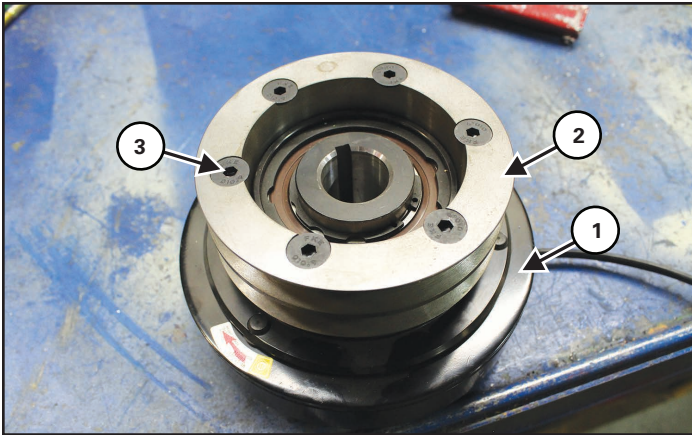


Position the mounting plate (Item 1) over the PTO shaft. Align the plate with the holes on the side of the engine mount. Attach using five 5/16" x 1" carriage bolts (Item 2) and five 5/16" lock nuts [Figure 90].

Note: Attach using the top set of holes on the motor mount.

Assemble the ring plates (Item 3) and pivot guard. See [Figure 77] to [Figure 81].

Figure 91



Attach the electric clutch (Item 1) and 5" double sheave pulley (Item 2) using four M8 x 45 mm flat head screws (Item 3) [Figure 91].

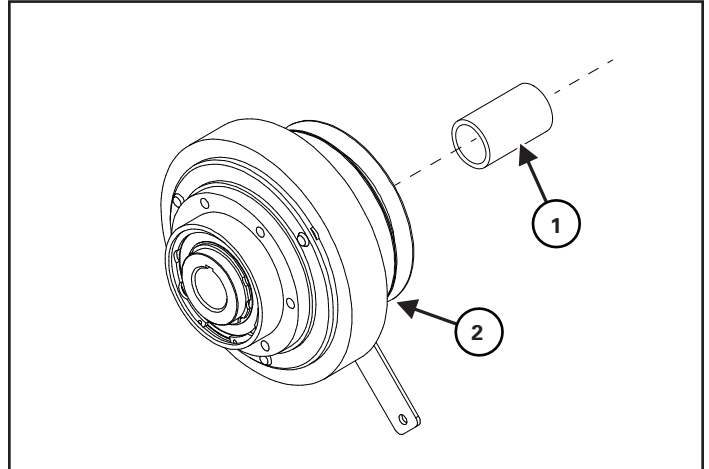
Figure 92



Make sure the engine PTO shaft is centered in the opening of the guard [Figure 92].

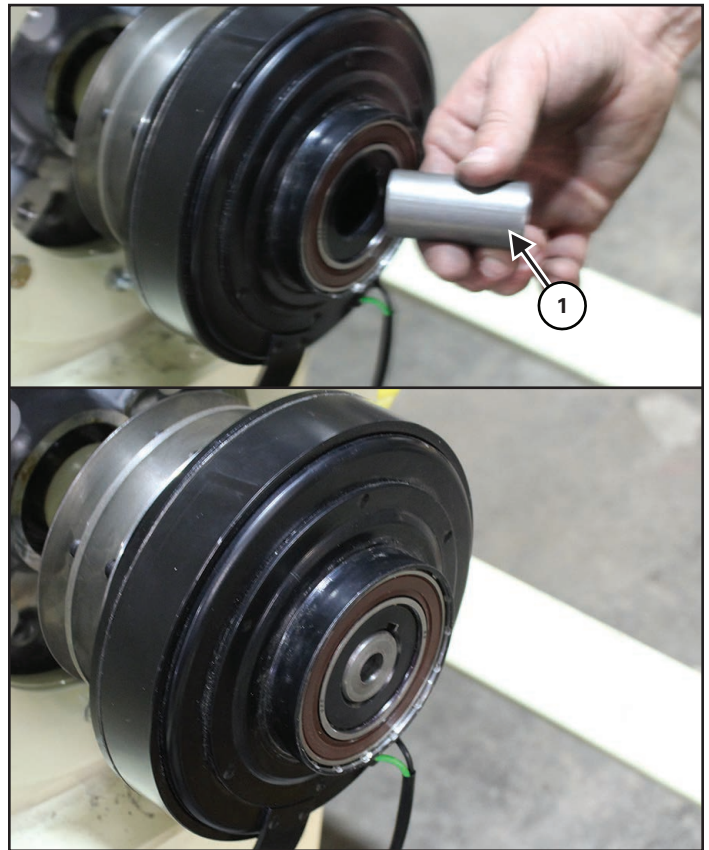
Install one 1/4" x 1/4" x 1-1/2" key (Item 1) to shaft [Figure 92].

Figure 93



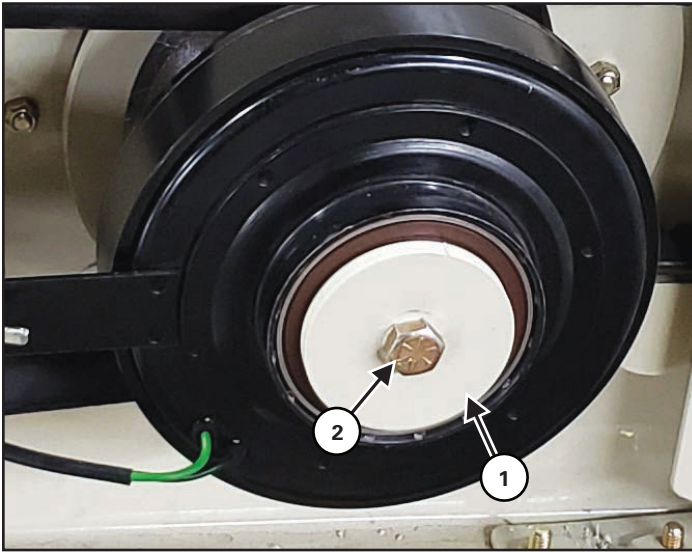
Place one 2.813" long spacer (Item 1) onto the shaft. Place the electric clutch and pulley (Item 2) onto the shaft [Figure 93].

Figure 94



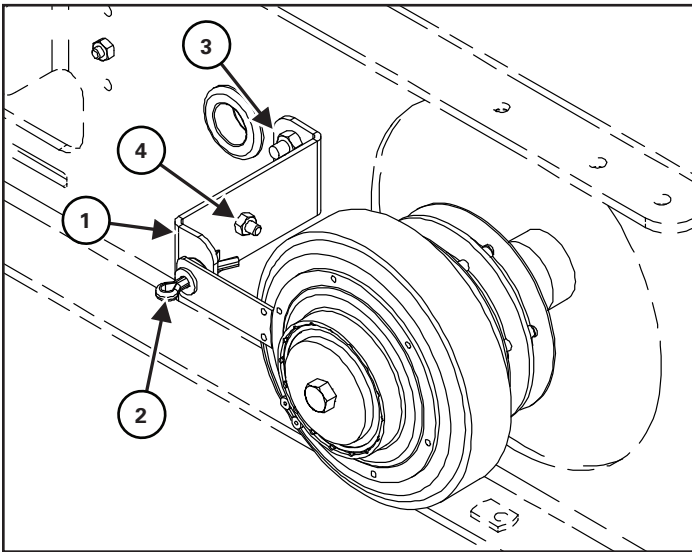
Place the 2.050" long stub shaft (Item 1) into the electric clutch opening [Figure 94].

Figure 95



Attach one washer spacer (Item 1) and one 7/16" x 3-1/4" hex bolt (Item 2) to the stub shaft [Figure 95].

Figure 96



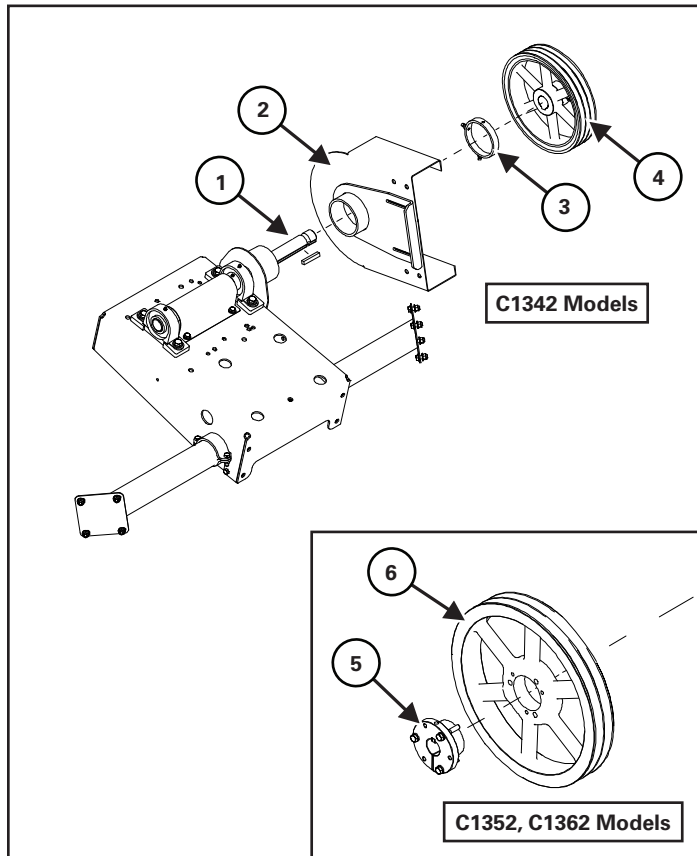
Place the bracket (Item 1) behind the electric clutch tab. Attach using one 1/4" x 1-1/2" coter pin (Item 2), two 1/4" flat washers (both sides of bracket), and one plastic grommet (outside of tab) [Figure 96].

Attach the bracket to the guard using two 5/16" x 1" carriage bolts and two 5/16" lock nuts (Item 3) [Figure 96].

Attach one P-clip (Item 4) to the bracket using one 1/4" x 3/4" hex bolt and 1/4" lock nut [Figure 96].

DRIVE - PTO BELT

Figure 97



Install one 3/8" x 3/8" x 3-3/8" pulley key to the drive shaft (Item 1) [Figure 97].

Place the pivot guard (Item 2) onto the shaft plate. Secure with one holder ring (Item 3) [Figure 97].

Thread one 5/16" hex nut each onto two 5/16" x 3/4" square head set screws. Thread the set screws into the holder ring and tighten. Back the hex nuts off and tighten against the holder ring [Figure 97].

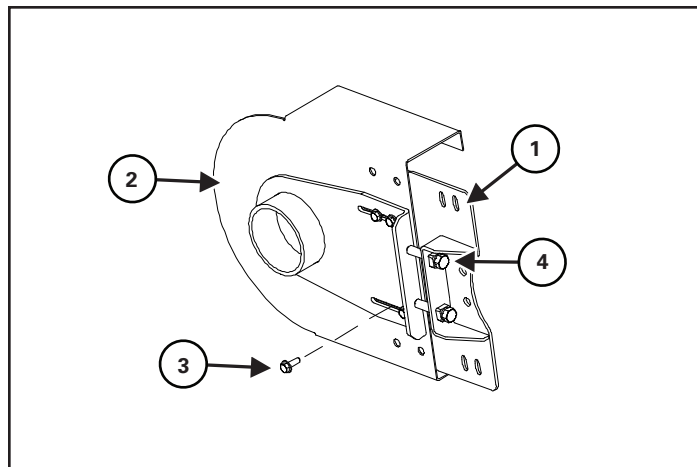
Install the pulley (Item 4) depending on model [Figure 97]:

- C1342 PTO belt models - 12" triple sheave
- C1352, C1362 PTO belt models - 16" double sheave

C1342 Pulley: Thread one 3/8" hex nut each onto two 3/8" set screws. Thread the set screws into the pulley base and tighten. Back the hex nuts off and tighten against the pulley [Figure 97].

C1352, C1362 Pulley: Align the holes of one pulley bushing (Item 5) to the pulley (Item 6). Attach the bushing using three screws [Figure 97].

Figure 98

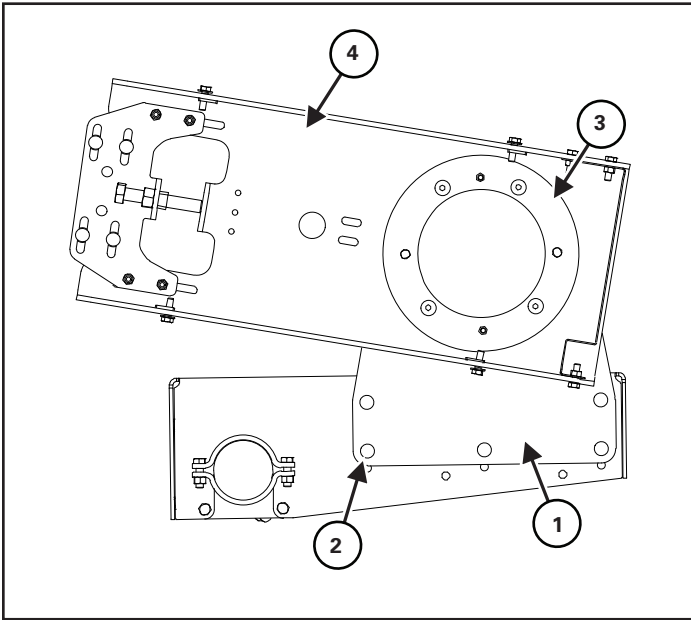


Position the slide plate (Item 1) within the pivot guard (Item 2). Attach the slide plate to the slots using four 5/16" x 1" hex bolts (Item 3) and four 5/16" flat washers [Figure 98].

Install two 1/2" x 2-1/2" adjustment hex bolts (Item 4) and 1/2" hex nuts to the slide plate [Figure 98].

DRIVE - ELECTRIC MOTOR

Figure 99



Position the mounting plate (Item 1) over the electric motor shaft. Align the plate with the holes on the side of the engine mount. Attach using five 5/16" x 1" carriage bolts (Item 2) and five 5/16" lock nuts [Figure 99].

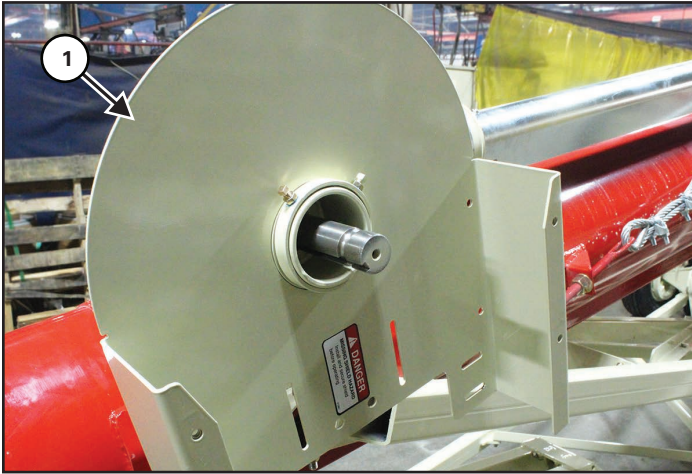
Note: Attach using the top set of holes on the motor mount. Only use the bottom set of holes for shorter style motors.

Assemble the ring plates (Item 3) and pivot guard (Item 4). See [Figure 77] to [Figure 81].

TOP PULLEY

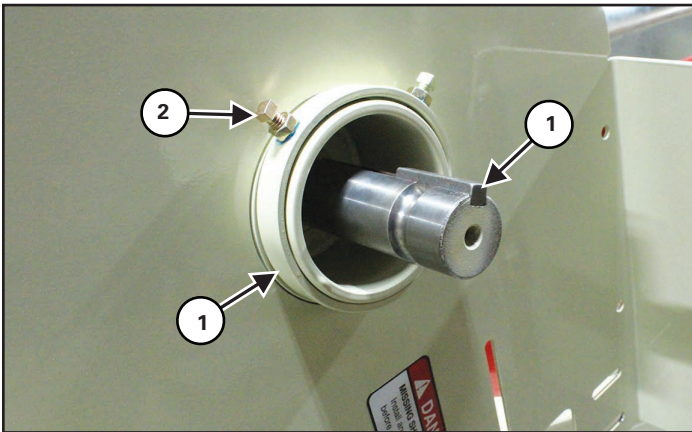
Top Guard - All Models

Figure 100



Place the top belt guard (Item 1) over the gearbox mount and drive shaft **[Figure 100]**.

Figure 101



Secure the guard to the gearbox using one holder ring (Item 1) **[Figure 101]**.

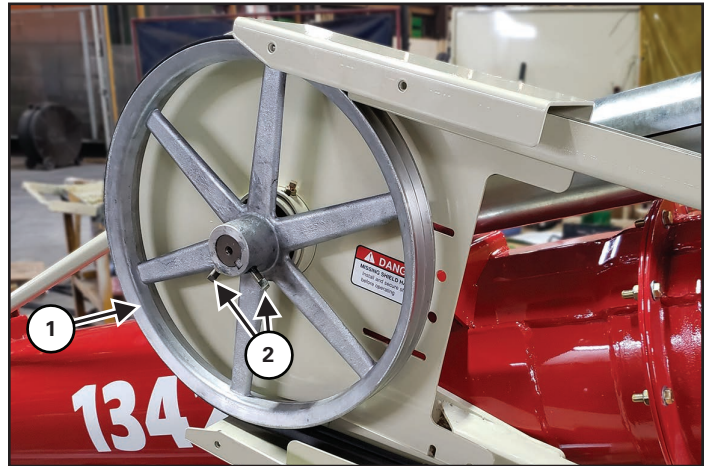
Thread one 5/16" hex nut each onto two 5/16" x 3/4" square head set screws (Item 2). Thread the set screws into the holder ring and tighten. Back the hex nuts off and tighten against the holder ring **[Figure 101]**.

Install one pulley key (Item 3) to the drive shaft **[Figure 101]**:

- C1342 - 3/8" x 3/8" x 3-3/8" pulley key
- C1352, C1362 - 3/8" x 3/8" x 2" pulley key

Top Pulley - C1342 Models

Figure 102



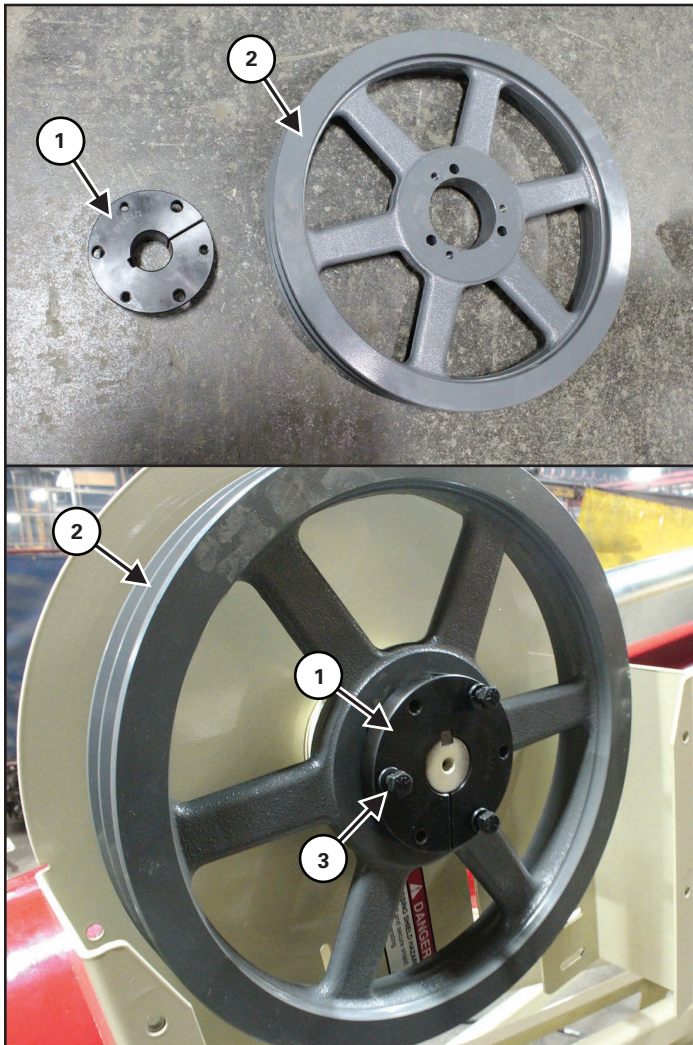
Install the top pulley (Item 1) depending on model **[Figure 102]**:

- PTO belt models - 12" triple sheave
- Electric motor models - 6" triple sheave
- Engine models - 18" double sheave

Thread one 3/8" hex nut each onto two 3/8" set screws (Item 2). Thread the set screws into the pulley base and tighten. Back the hex nuts off and tighten against the pulley **[Figure 102]**.

Top Pulley - C1352, C1362 Models

Figure 103



Align the holes of one pulley bushing (Item 1) to the pulley (Item 2). Attach the bushing using three screws [Figure 103].

Use pulley depending on model:

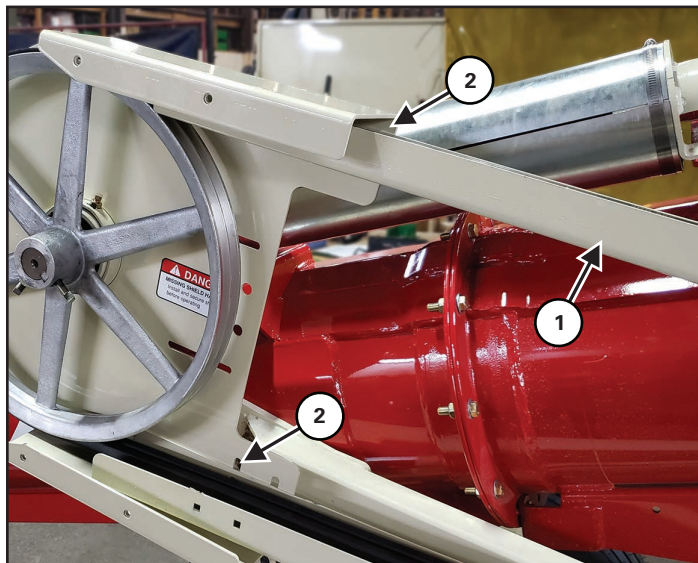
- PTO belt models - 16" double sheave
- Electric motor models - 16" double sheave
- Engine models - 16" double sheave

Install the pulley and bushing to the gearbox shaft [Figure 103].

BELT TRAYS

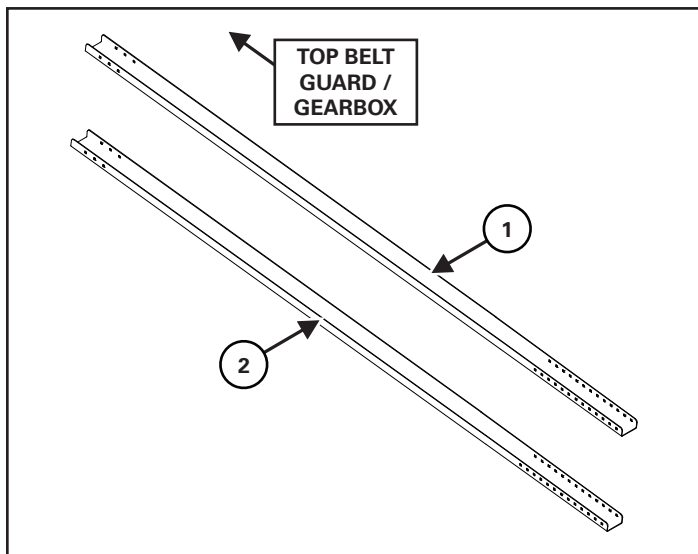
Belt Trays - C1342 Models

Figure 104



Install the upper (Item 1) and lower belt trays to the top belt guard. Attach each tray to the slots (Item 2) using two 5/16" x 3/4" carriage bolts (within the slots), two 5/16" flat washers, and two 5/16" lock nuts [Figure 104].

Figure 105

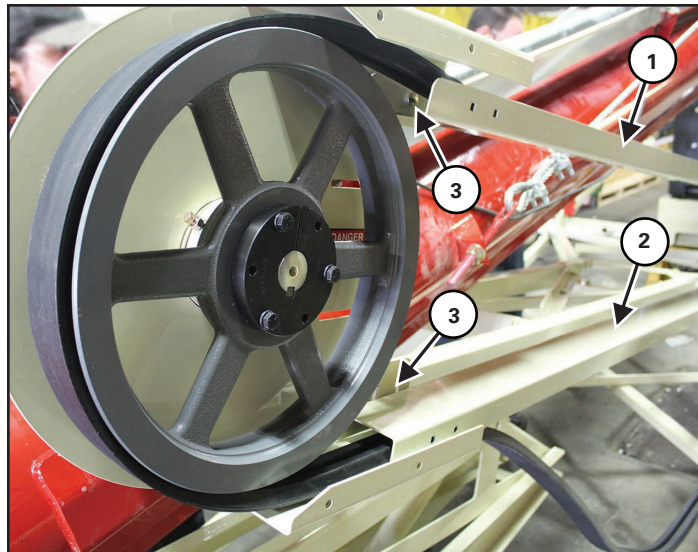


The upper belt tray (Item 1) and lower belt tray (Item 2) face upwards [Figure 105].

Note: C1342 Model belt trays are single pieces.

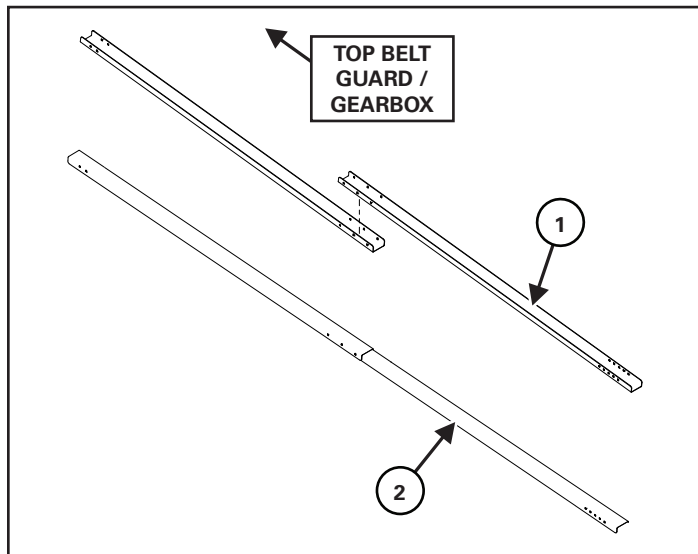
Belt Trays - C1352, C1362 Models

Figure 106



Install the upper belt tray (Item 1) and lower belt tray (Item 2) to the top belt guard. Attach each tray to the slots (Item 3) using two 5/16" x 3/4" carriage bolts (within the slots), two 5/16" flat washers, and two 5/16" lock nuts [Figure 106].

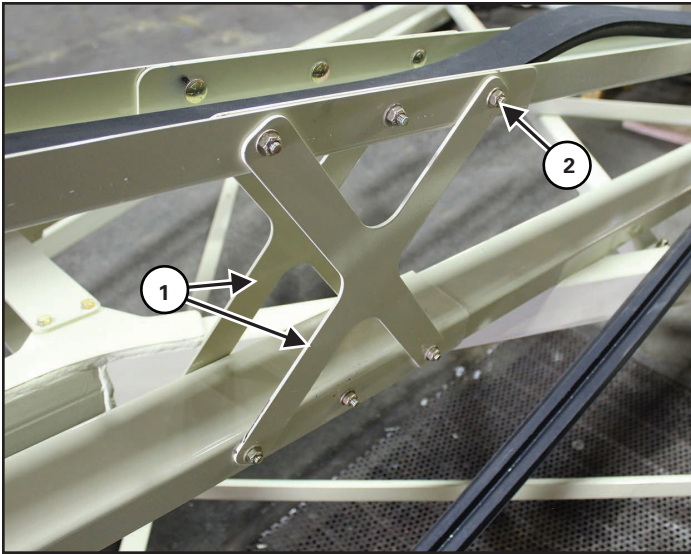
Figure 107



Place the two halves of each upper (Item 1) and lower tray (Item 2) together [Figure 107].

The upper tray faces upwards. The lower tray faces downwards.

Figure 108



Align two braces (Item 1) with the holes of the upper and lower trays **[Figure 108]**.

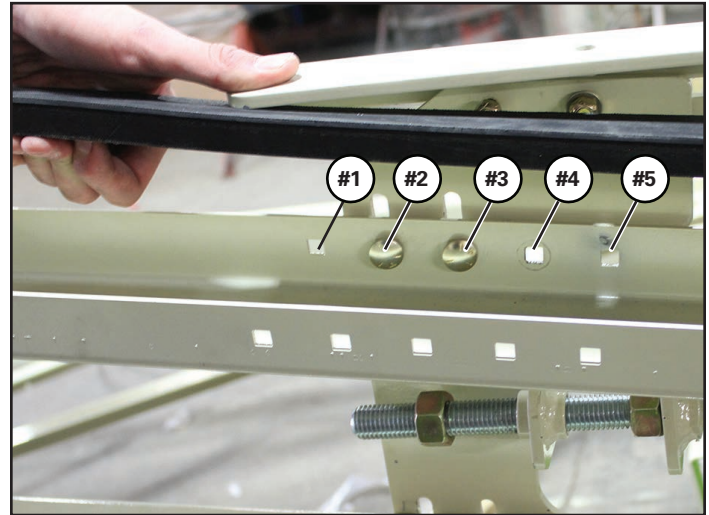
Attach the trays and braces using twelve 5/16" x 3/4" carriage bolts, twelve 5/16" flat washers, and twelve 5/16" lock nuts (Item 2) **[Figure 108]**.

Note: Engine / Electric Motor Drive Models: One side of each brace is longer than the other, as the trays are slightly angled together.

PTO Drive Models: Brace sides are equal length.

Bottom Guard - All Models

Figure 109

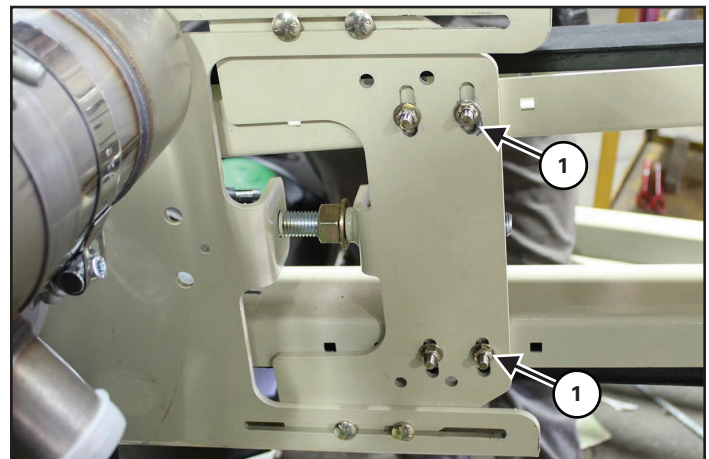


Align the slots on the bottom guard with the correct holes of the belt tray. Install two 5/16" x 1" carriage bolts **[Figure 109]**.

Use correct holes depending on model **[Figure 109]**:

- Engine models - holes #2 and #3
- Electric motor models - holes #2 and #3
- PTO belt models - holes #4 and #5

Figure 110

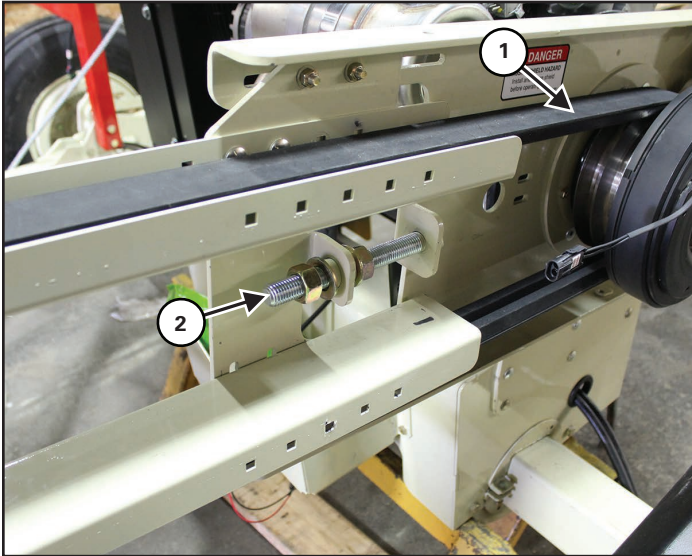


Install 5/16" flat washers and 5/16" lock nuts (Item 1) to the carriage bolts on the slotted side of the guard **[Figure 110]**.

Do not tighten at this time.

BELT ROUTING

Figure 111



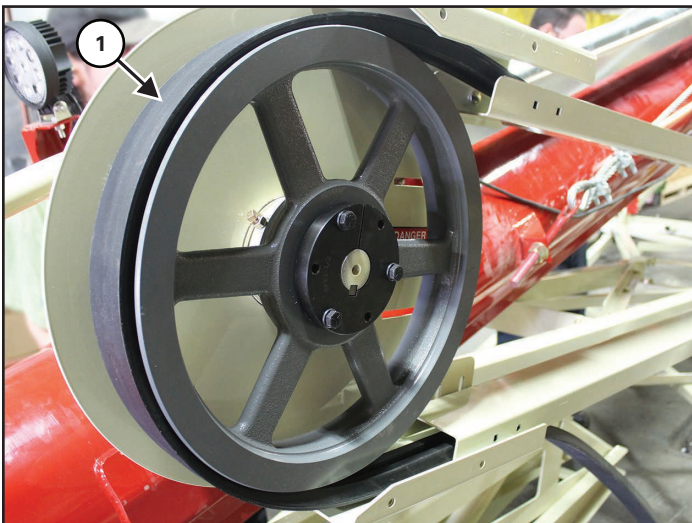
Route the belt (Item 1) around the pulley at the engine drive shaft [Figure 111].

Route the belt down the upper and lower belt trays.

Make sure adjustment bolt (Item 2) is loosened [Figure 111].

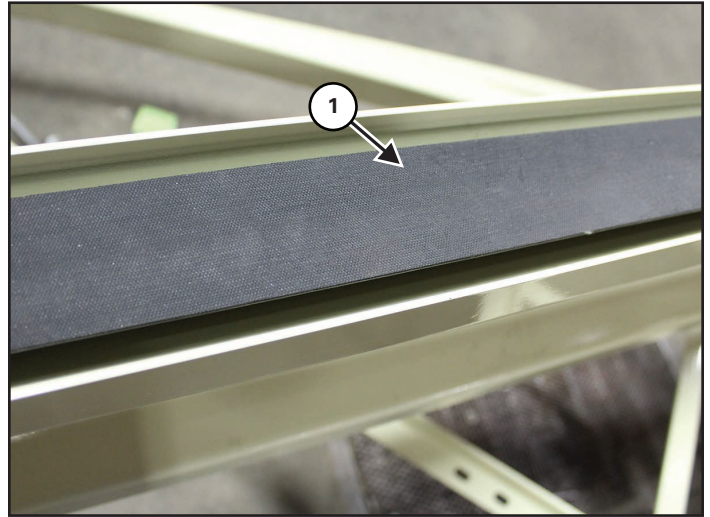
Make sure carriage bolts/nuts (Item 1) are loosened [Figure 110].

Figure 112



Route the belt (Item 1) around the pulley at the gearbox [Figure 112].

Figure 113



Make sure the belts (Item 1) are centered and floating in the trays [Figure 113].



IMPORTANT

Belts must not be in contact with the trays.

Adjust the trays up or down using the slotted mounts on the guards (Item 1) [Figure 110].

Make sure the belt trays are straight and parallel with the auger tube.



IMPORTANT

Straighten the belt trays by adjusting:

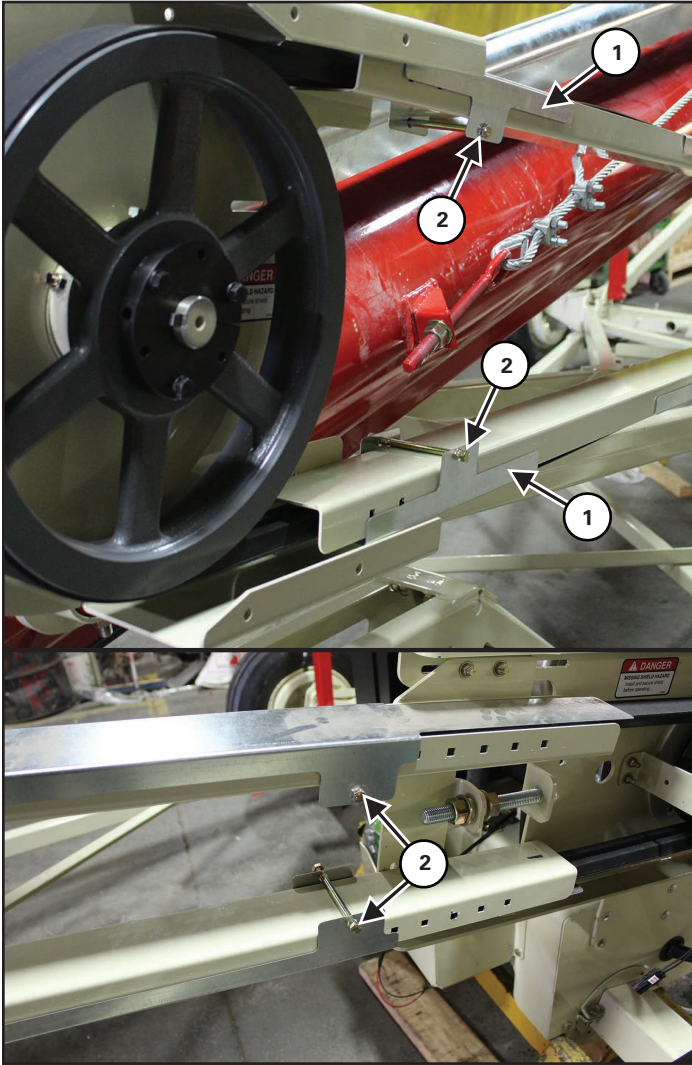
- **Engine / motor mount position left / right on axle**
- **Pulley position in / out on drive shaft**
- **Gearbox guards slotted holes**

Tighten all hardware after adjusting.

Tighten the adjustment bolt (Item 2) [Figure 111].

BELT COVERS

Figure 114



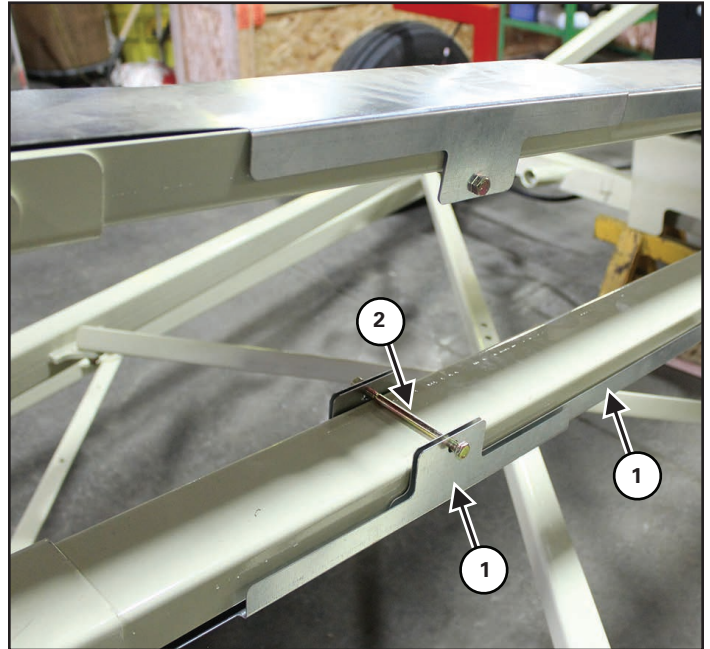
Place the covers (Item 1) over the exposed belts [Figure 114].

Note: Belt trays may face upwards or downwards. Make sure covers are placed correctly.

Attach the covers using (Item 2) [Figure 114]:

- C1342 - 3/8" x 4" hex bolt and 3/8" lock nut
- C1352, C1362 - 5/16" x 4-1/2" hex bolt and 5/16" lock nut

Figure 115

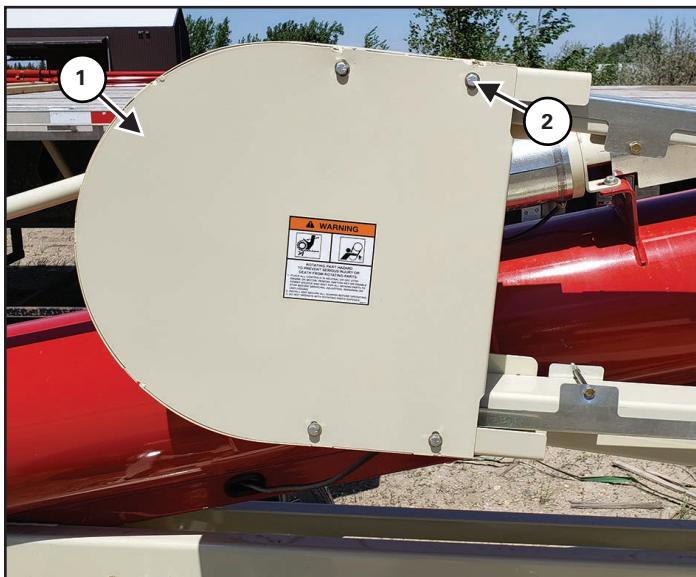


C1352, C1362: Overlap the two cover sections (Item 1) at the center of the belt trays. Attach using 5/16" x 4-1/2" hex bolt (Item 2) and 5/16" lock nut [Figure 115].

Note: C1342 units use only one cover section.

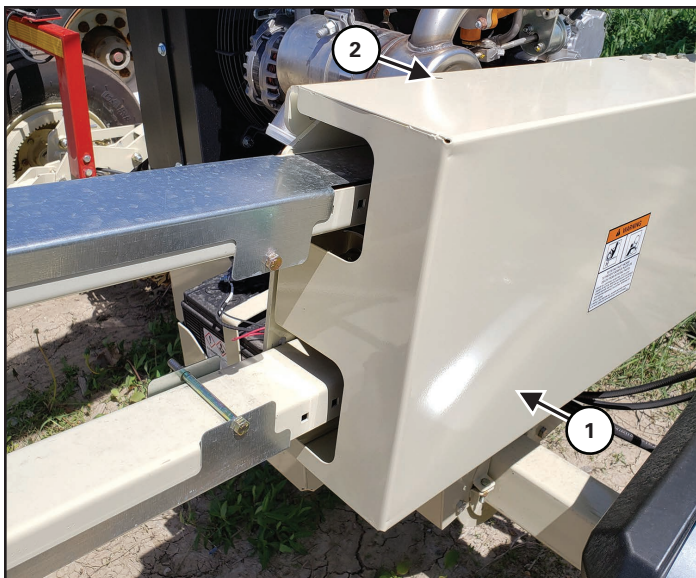
GUARD COVERS

Figure 116



Place the cover (Item 1) over the gearbox pulley. Attach using four 5/16" x 3/4" hex bolts (Item 2) and four 5/16" flat washers [Figure 116].

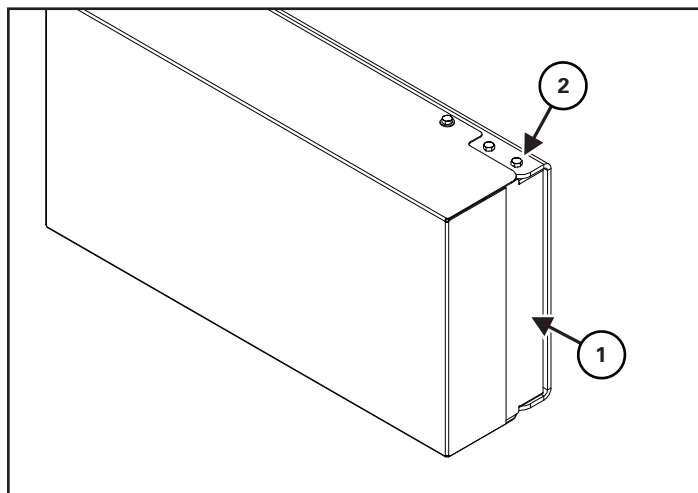
Figure 117



Place the cover (Item 1) over the pivot guard. Attach using four 5/16" x 3/4" hex bolts (Item 2) and four 5/16" flat washers [Figure 117].

Note: C1342 units with electric motor use 5/16" x 1" hex bolts and 5/16" flat washers.

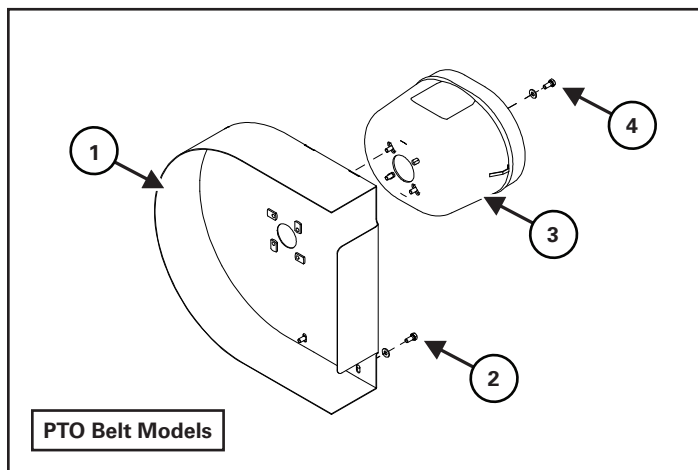
Figure 118



Install the back cover (Item 1) using 5/16" x 3/4" hex bolts (Item 2) and 5/16" lock nuts [Figure 118].

Note: C1342 units with electric motor use 5/16" x 1" hex bolts and 5/16" lock nuts.

Figure 119



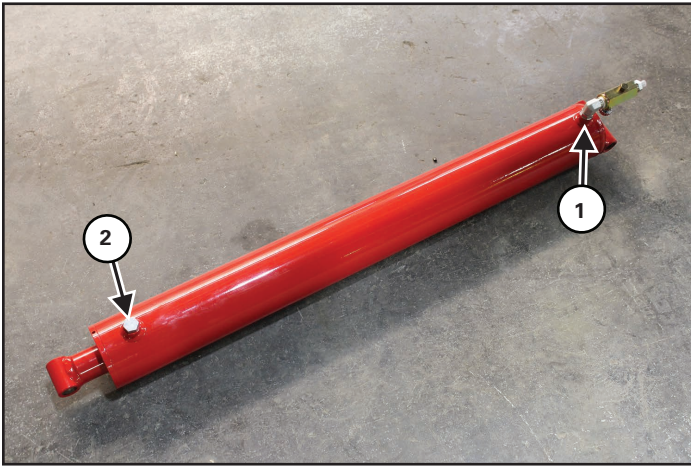
PTO belt models: Place the cover (Item 1) over the pivot guard. Attach using four 5/16" x 3/4" hex bolts (Item 2) and four 5/16" flat washers [Figure 119].

Attach the PTO shield (Item 3) using four 5/16" x 3/4" hex bolts (Item 4) and four 5/16" flat washers [Figure 119].

Note: C1342 models - PTO shields use four 5/16" x 3/4" hex bolts (Item 4), four 5/16" flat washers, and 5/16" lock nuts.

HYDRAULIC CYLINDER / HOSE ROUTING

Figure 120



Prepare the hydraulic cylinder:

- C1342, C1352 - 4" x 36 hydraulic cylinder
- C1362 - 4.5" x 42.5" hydraulic cylinder

Install to the barrel end (Item 1) [Figure 120]:

- One 90 DEG elbow -8 MORB x -8 MNPT
- One flow control valve -8 FNPT
- One adapter -8MPT x -4MJIC

Install to the rod end (Item 2) [Figure 120]:

- One plug -8 ORB

Apply teflon tape to all threaded hydraulic fittings.

Figure 121



Position the hydraulic cylinder to the tube and lift arm.

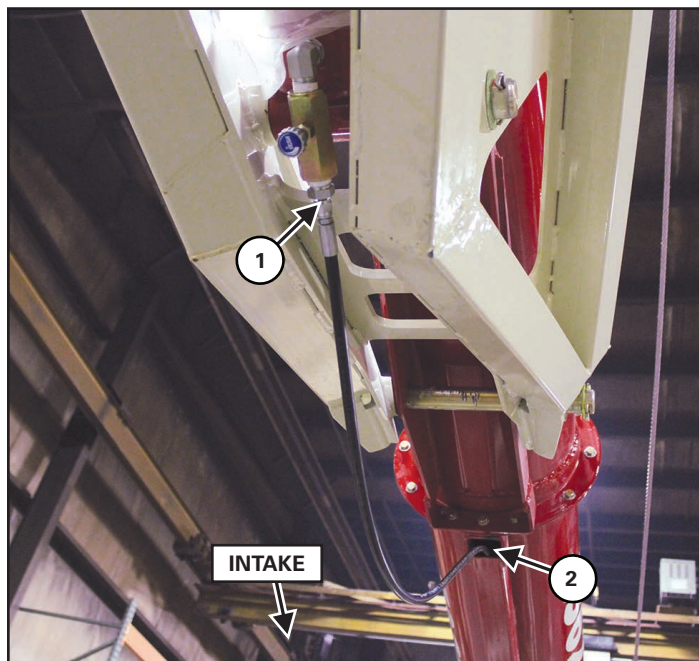
Attach the rod end (Item 1) of the cylinder to the tube mount using [Figure 121]:

- C1342, C1352 - 1" flat washer, 1"D pivot pin, and 3/16" x 1-1/2" cotter pin
- C1362 - 1-1/2" rim washer, 1-1/2"D pivot pin, and 1/4" x 2" cotter pin

Attach the barrel end (Item 2) of the cylinder to the lift arm using [Figure 121]:

- C1342, C1352 - 1" flat washer, 1"D pivot pin, and 1/8" x 1-1/4" cotter pin
- C1362 - 1-1/2" rim washer, 1-1/2"D pivot pin, and 1/4" x 2" cotter pin

Figure 122

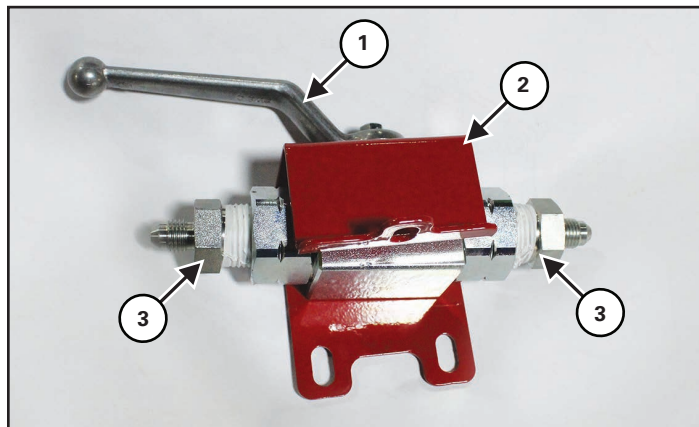


Route the hydraulic hose from the flow control valve (Item 1) to the enclosed tube (Item 2) and towards the intake [Figure 122].

Hydraulic hose:

- C1342 - 219" Hose -4 x -4 FJIC x -4 FJIC
- C1352 - 353" Hose -4 x -4 FJIC x -4 FJIC
- C1362 - 375" Hose -4 x -4 FJIC x -4 FJIC

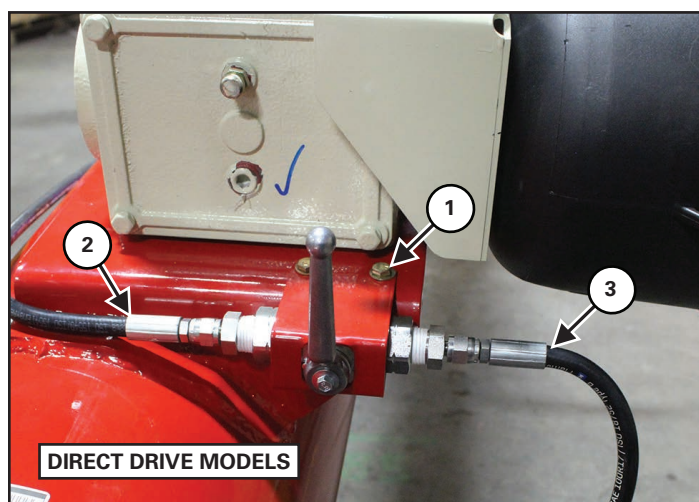
Figure 123



Place the -08 FNPT 2-way shut-off valve (Item 1) within the mounting bracket (Item 2) [Figure 123].

Install two -8MPT X -4MJIC adapter fittings (Item 3) to the shut-off valve [Figure 123].

Figure 124

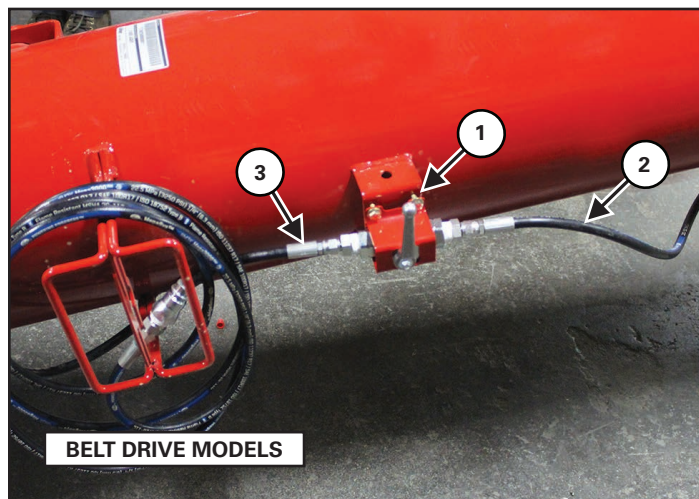


Direct drive models: Attach the mounting bracket with shut-off valve to the gearbox mount using two 1/4" x 3/4" hex bolts (Item 1), two 1/4" flat washers, and two 1/4" lock nuts [Figure 124].

Route the hose (Item 2) from the enclosed tube, around the gearbox mount, and to the shut-off valve [Figure 124].

Connect one hydraulic hose (Item 3) to the shut-off valve. Route the hose to the storage bracket and to the tractor [Figure 124].

Figure 125

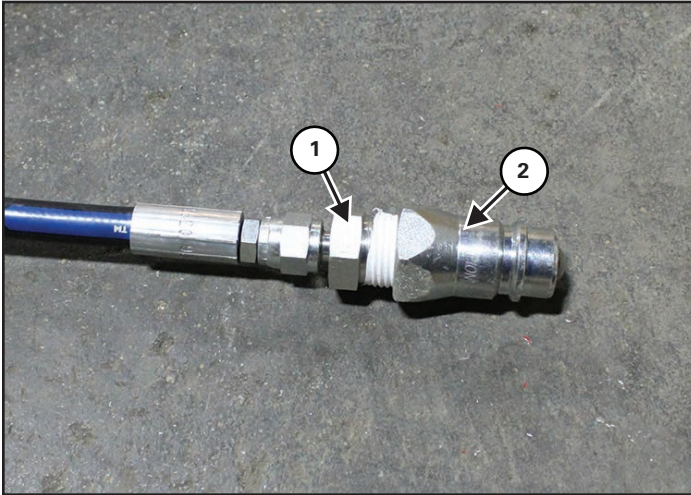


Belt drive models: Attach the mounting bracket with shut-off valve to the mount on the side of the tube using two 1/4" x 3/4" hex bolts (Item 1), two 1/4" flat washers, and two 1/4" lock nuts [Figure 124].

Route the hose (Item 2) from the enclosed tube and to the shut-off valve **[Figure 124]**.

Connect one hydraulic hose (Item 3) to the shut-off valve. Route the hose to the storage bracket and to the tractor **[Figure 124]**.

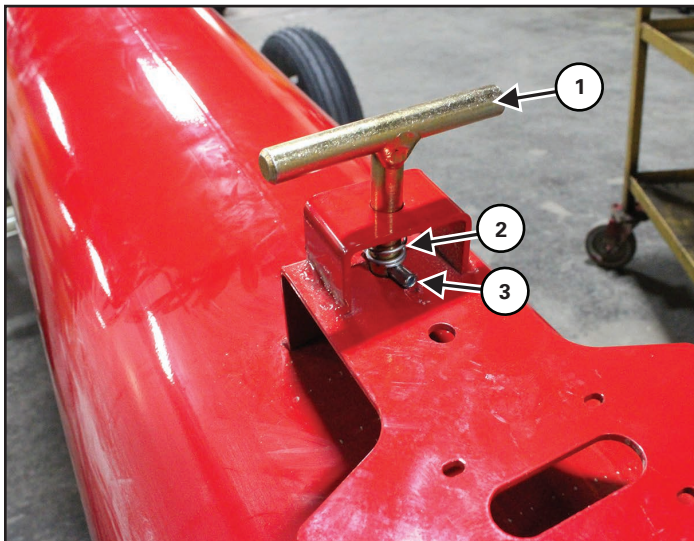
Figure 126



Connect one -8MPT x -4MJIC adapter (Item 1) and one quick connector (Item 2) to the hose leading to the tractor **[Figure 126]**.

GEARBOX SHIFTER - BELT DRIVE MODELS

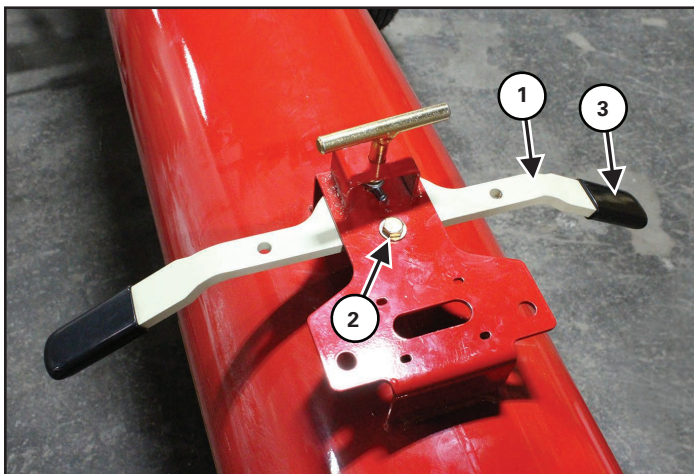
Figure 127



Insert the handle (Item 1) into the tube bracket near the intake. Secure the handle using one spring (Item 2) and pin (Item 3) [Figure 127].

Note: Pull the handle up and down. Make sure the handle springs back into position.

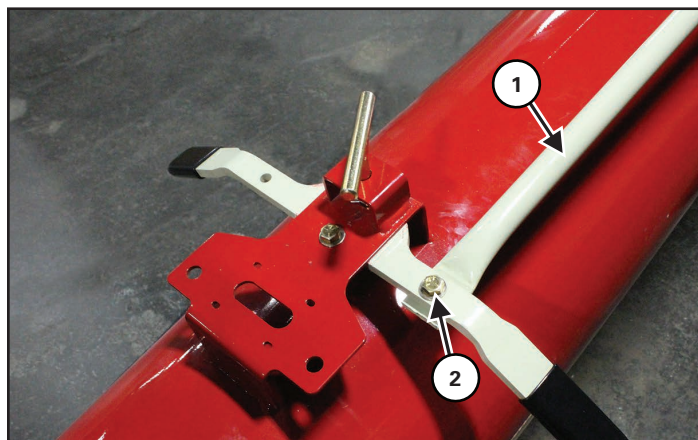
Figure 128



Place the handle (Item 1) within the bracket. Attach to the bracket using one 3/8" x 1-1/4" hex bolt (Item 2), two 3/8" flat washers (both sides), and one 3/8" lock nut [Figure 128].

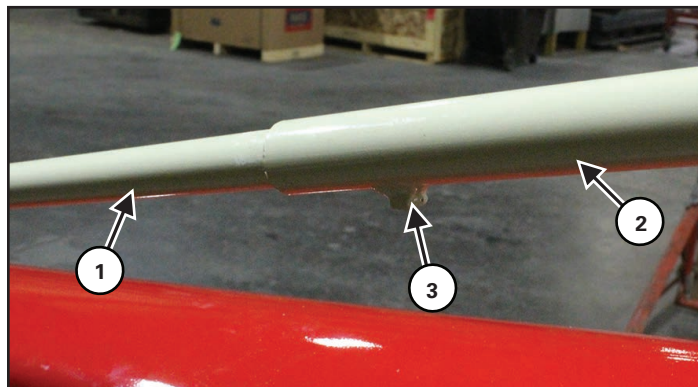
Place two rubber grips (Item 3) onto each end of the handle [Figure 128].

Figure 129



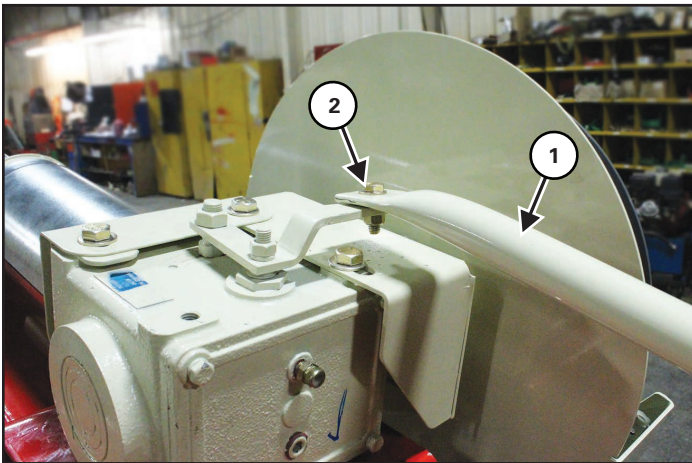
Attach the inner shifter link (Item 1) to the handle using one 3/8" x 1-1/4" hex bolt (Item 2), two 3/8" flat washers (both sides), and one 3/8" lock nut [Figure 129].

Figure 130



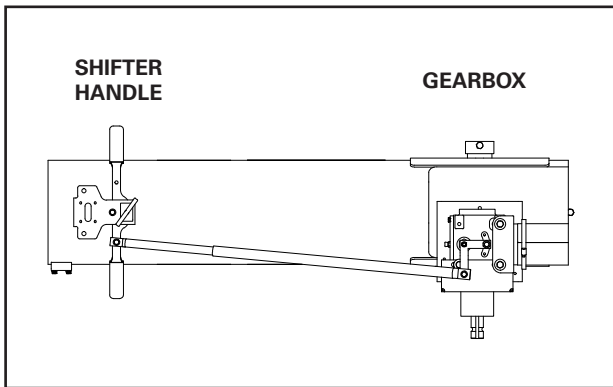
Insert the inner (Item 1) and outer (Item 2) shifter links. Install one 3/8" x 1/2" socket set screw (Item 3) to the outer shifter link. Do not tighten at this time [Figure 130].

Figure 131



Attach the outer shifter link (Item 1) to the gearbox using one 3/8" x 1-1/4" hex bolt (Item 2), two 3/8" flat washers (both sides), and one 3/8" lock nut [Figure 129].

! IMPORTANT

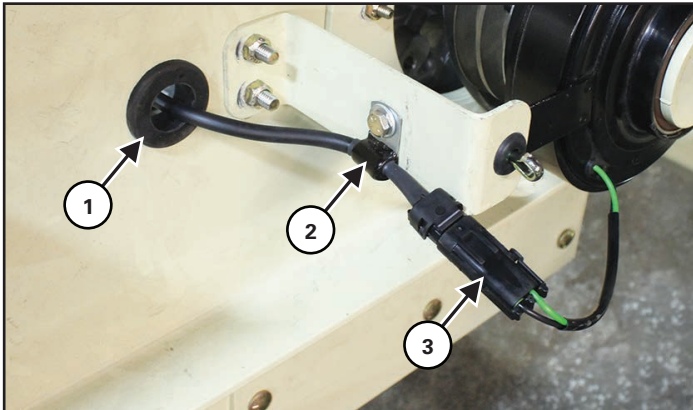


Make sure the shifter handle and the gearbox are both in the center position. Tighten the socket set screw of the shifter link.

ELECTRICAL CABLES

Electric Clutch

Figure 132



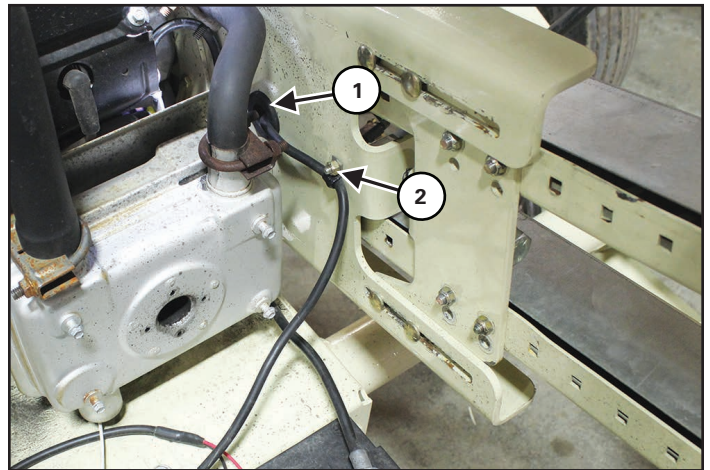
Install one 1" ID plastic grommet (Item 1) to the hole in the guard [Figure 132].

Route the male connector of the wire harness through the hole.

Attach the harness to the link using one p-clip (Item 2), 1/4" x 3/4" hex bolt, and 1/4" lock nut [Figure 132].

Attach the male connector of the wire harness to the electric clutch connector (Item 3) [Figure 132].

Figure 133



Route the wire harness from the hole (Item 1) in the belt guard [Figure 133].

Attach the wire harness to the side of the belt guard using one p-clip (Item 2), 1/4" x 3/4" hex bolt, and 1/4" lock nut [Figure 133].



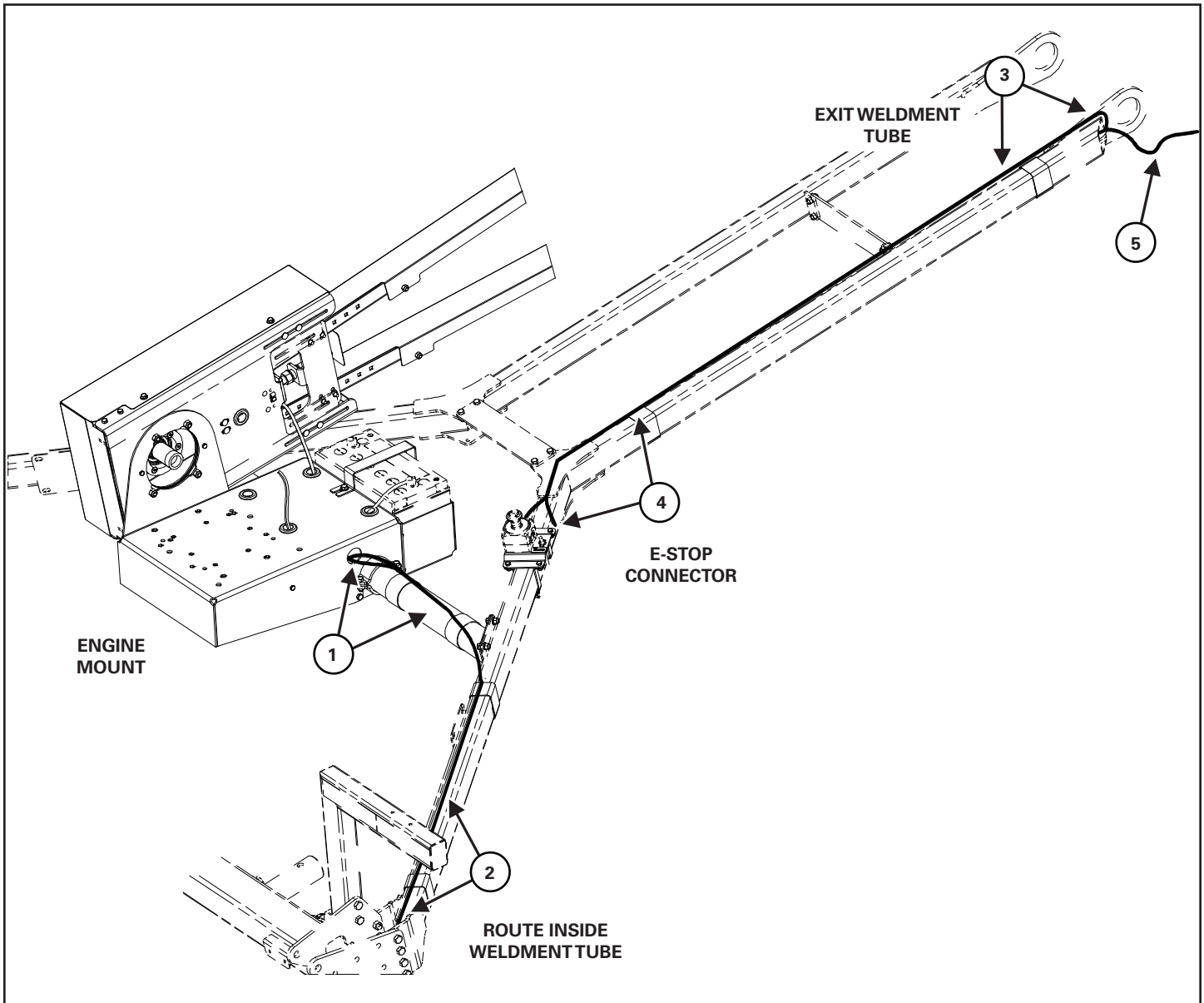
IMPORTANT

Connect wire harness to engine / battery, depending on individual setup.

Contact your dealer for proper engine installation.

E-Stop

Figure 134



C1342 Models: Route the harness (Item 1) from the engine mount, along the cross member, and to the weldment [Figure 133].

Route the harness (Item 2) along the weldment to where the weldment connects to the axle. Pass the harness inside the weldment tube [Figure 133].

C1352, C1362 Models (Not Pictured): Route the harness from the engine mount, along the axle, and inside the weldment tube.

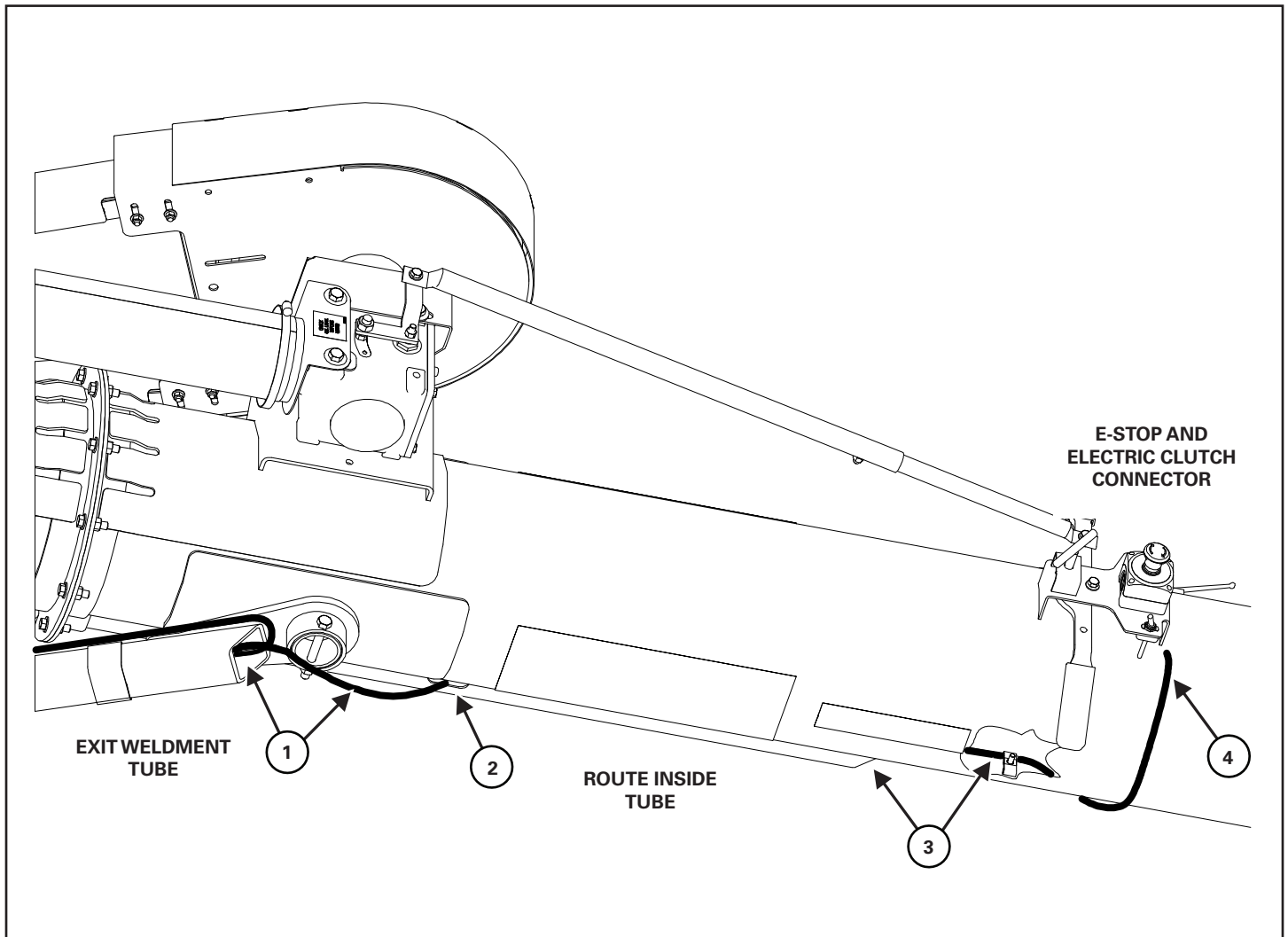
All Models: Pass the harness within the weldment tube, exit the weldment where the weldment mounts to the auger tube [Figure 133].

Route one harness section (Item 3) down the top of the weldment. Route the harness section (Item 4) to the E-stop connector [Figure 133].

Route the remaining harness section (Item 5) to the auger intake [Figure 133].

Continued, see [Figure 134].

Figure 135



All Models: Route harness section (Item 1) from the weldment tube. Route harness inside the tube (Item 2) and towards the intake **[Figure 135]**.

Route the harness (Item 3) from the tube and along the underside **[Figure 135]**.

Route harness to electric clutch and e-stop connector (Item 4) **[Figure 135]**.

OPERATION

GENERAL INFORMATION.....	81
Pre - Operation Checklist.....	81
Break - In Checklist.....	82
Tractor And Gas Engine Requirements.....	83
ENTERING & LEAVING THE OPERATOR'S POSITION.....	84
Entering The Operator's Position.....	84
Leaving The Operator's Position.....	84
HITCHING / UNHITCHING.....	84
Hitching The Equipment.....	84
Unhitching The Equipment.....	85
RAISING / LOWERING AUGER.....	86
PTO BELT DRIVE / DIRECT DRIVE.....	87
Connecting PTO Shaft.....	87
Disconnecting PTO Shaft.....	87
ELECTRIC CLUTCH.....	88
SHIFTING GEARBOX.....	88
EMERGENCY STOP.....	89
FIELD OPERATION.....	90
Working Position.....	90
Auger Operation.....	91
TRANSPORTING.....	92

Farm King



GENERAL INFORMATION

Pre - Operation Checklist

Before operating the auger for the first time and each time thereafter, check the following items:



AVOID INJURY OR DEATH

- Disengage the PTO, engage the machine's parking brake, stop the engine and make sure all rotating components are completely stopped before connecting, disconnecting, adjusting or cleaning any PTO driven equipment.
- Always keep PTO shields and all guards in place when using PTO driven equipment.
- Disengage PTO for road travel.
- Keep hands, feet and clothing away.

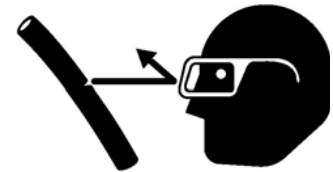


AVOID INJURY OR DEATH

Wear safety glasses to prevent eye injury when any of the following conditions exist:

- When fluids are under pressure.
 - Flying debris or loose material is present.
 - Engine is running.
 - Tools are being used.
-
1. Lubricate the equipment per the schedule outline in the Maintenance Section.
 2. Check the augers. Remove any material build-up or debris that has become entangled.

3. Make sure that all guards and shields are in place, secured and functioning as designed.



HIGH PRESSURE FLUID HAZARD

Leaking fluids under pressure can enter the skin and cause serious injury or death. Immediate medical attention is required. Wear goggles. Use cardboard to check for leaks.

4. Check condition of all hydraulic components for leaks. Repair as required.

Note: Do not operate with hydraulic leaks.

5. Check and tighten all wheel bolts to proper torque.
6. Check tire pressure. Inflate per manufacturer's specification.
7. Check gearbox oil level. Fill as required.
8. Check that the PTO driveline telescope easily and turn freely.
9. Make sure the PTO ends are securely attached to the auger and the tractor.
10. Check the drive belt tension and alignment. Tension or align as required.

Break - In Checklist

NOTE: The break-in period is different from normal operating conditions.

The tube and flighting must get a polished surface through use. Once the new auger has polished it will run smooth at recommended speed.

NOTE: Never operate an empty auger for over one minute, as the flighting and housing will experience excessive wear.

During the break-in-period:

1. Run the tractor at slow idle until grain begins to flow from the discharge. For the first 500 bushels, operate at the slow speed and restrict the flow of grain at the intake.
2. Gradually increase the speed until operating at full PTO speed.



WARNING



AVOID INJURY OR DEATH

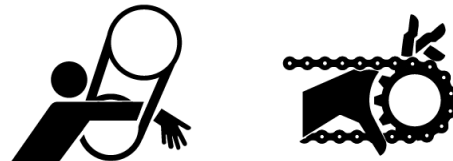
- Disengage the PTO, engage the machine’s parking brake, stop the engine and make sure all rotating components are completely stopped before connecting, disconnecting, adjusting or cleaning any PTO driven equipment.
- Always keep PTO shields and all guards in place when using PTO driven equipment.
- Disengage PTO for road travel.
- Keep hands, feet and clothing away.

Check the following mechanical items after one hour of operation and again after ten hours of operation:

1. Re-torque wheel bolts to proper torque and check tire pressure.
2. Check for loose fasteners and hardware. Tighten as required.
3. Check the belt tension and alignment. Tension or align as required.
4. Check the condition of all hydraulic lines, hoses, fittings and couplers for damage or leaks.
5. Tighten leaking fittings and repair or replace any damaged components.
6. Check the condition of all electrical lines, wires, and connections. Repair or replace any damaged systems or components.
7. Check that all guards and shields are in place, secured and functioning as designed.



WARNING



ROTATING PART HAZARD

To prevent serious injury or death from rotating parts:

- Place all controls in neutral or off, stop engine or motor, remove ignition key or disable power source and wait for all moving parts to stop before servicing, adjusting, repairing or unplugging.
- Install and secure all guards / shields before operating.
- Do not operate with rotating parts exposed.

Tractor And Gas Engine Requirements



DO NOT EXCEED 1000 RPM PTO

Keep PTO shields and all guards in place.

Keep away from moving parts.

Keep bystanders away.

Figure 136

Auger Model	Hitch Weight	Total Weight
C1342*	120 lbs.	3240 lbs.
C1352*	100 lbs.	3420 lbs.
C1362*	100 lbs.	3990 lbs.

* Direct drive with standard intake.

The chart [Figure 136] lists the hitch weight and total weight of the auger models. The tractor / tow vehicle must be rated for the listed weight to transport the specified auger model.

PTO drive model recommendations:

- 60 HP tractor horsepower
- 1-3/8" 21 spline PTO

Engine drive model recommendations:

- C1342 models - CH980 Kohler 35 HP
- C1352, C1362 models - Diesel Hatz 3H50TIC

Electric motor recommendations

- Dealer provided



Contact your dealer for proper engine / electric motor installation.

Hydraulic lift cylinder requirement:

- 650 to 750 psi to hold the auger in all positions

Work light requirement:

- 7-pin agricultural connection

ENTERING & LEAVING THE OPERATOR'S POSITION

Entering The Operator's Position

Enter the operator's position, start the engine, and release the parking brake.



IMPORTANT

Follow the instructions in your tractor's operation manual for the correct procedure.

Leaving The Operator's Position

Always perform the following steps when leaving the operator's position:



WARNING

AVOID INJURY OR DEATH

Before you leave the operator's position:

- Always park on a flat level surface.
- Place all controls in NEUTRAL.
- Engage the park brake.
- Stop the engine and remove the key.
- Wait for all moving parts to stop.

HITCHING / UNHITCHING

Attach the auger to the tractor whenever the equipment is moved around the yard or into working position.

Tow the equipment by truck when traveling long distances (see Transport on **page 92**).

Hitching The Equipment

Make sure that bystanders, especially small children, are clear of the working area.

Be sure that there is sufficient room and clearance to back up to the machine.

Align the drawbar with the hitch of the auger while backing up.



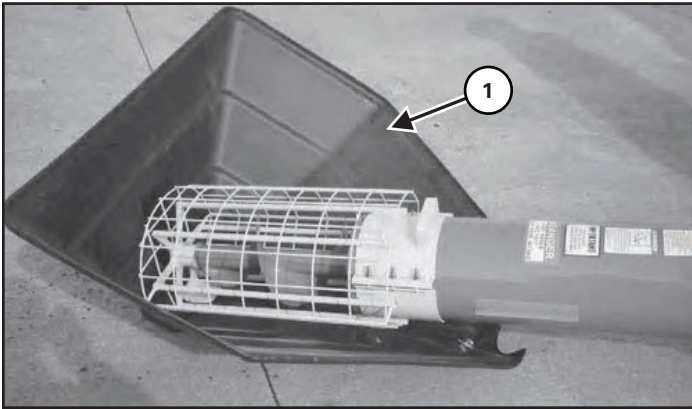
WARNING



Before moving the tractor, look in all directions and make sure no bystanders, especially small children are in the work area. Do not allow anyone between the tractor and the equipment when backing up to the equipment for connecting.

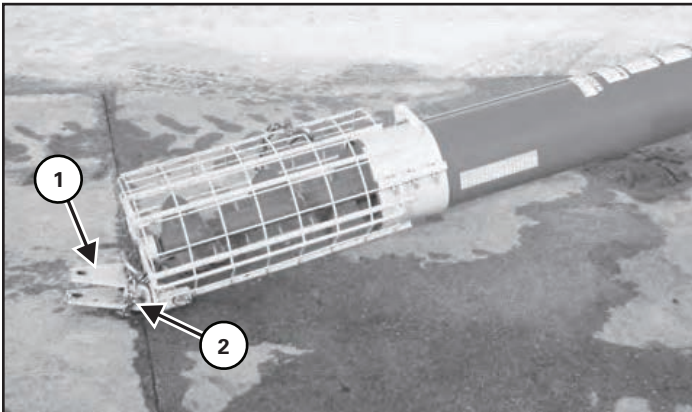
Leave the operator's position (see Leaving The Operator's Position on **page 84**).

Figure 137



Remove the plastic hopper (Item 1) [Figure 137] from the intake (if equipped).

Figure 138



Install and secure the hitch weldment (Item 1) [Figure 138]. Attach the hitch using one clevis pin and one 3/16" lynch pin.

Install the safety chain (Item 2) [Figure 138] to the hitch weldment.

 **WARNING**

AVOID INJURY OR DEATH

The machine is closely balanced. Do not lift unless there is downward weight on the intake end to prevent upending.

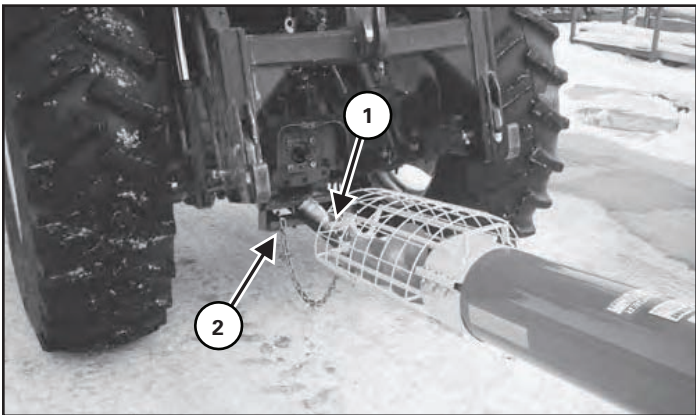
 **IMPORTANT**

Do not move the auger while in the raised position.

Lower the auger to the lowest position before moving.

See Raising And Lowering The Auger on page 86.

Figure 139



Lift the intake and hitch to the tractor drawbar height. Align the tractor hitch pin holes with the auger hitch pin holes.

Install the drawbar pin and retainer pin (Item 1) [Figure 139].

Install the safety chain to the tractor drawbar (Item 2) [Figure 139].

Unhitching The Equipment

Reverse the hitching procedure to unhitch the equipment.

 **WARNING**

Warnings on the machine and in the manuals are for your safety. Failure to obey warnings can cause serious injury or death.

RAISING / LOWERING AUGER

Always raise or lower the auger on a flat and level area.

Clear the area of bystanders, especially small children, before starting.



IMPORTANT

Do not move the auger while in the raised position.

Be sure there is enough clearance from overhead obstructions and power lines or other equipment.

Attach the auger to the tractor (see Hitching And Unhitching Auger on **page 84**).

Place chocks in the front and rear of each wheel.



WARNING

Always raise or lower the auger while hitched to a tractor or approved transport unit.

Never attempt to raise or lower the auger during operation.

Never place blocks under the wheels to increase the elevation of auger.

Keep wheels of undercarriage level and on firm ground.



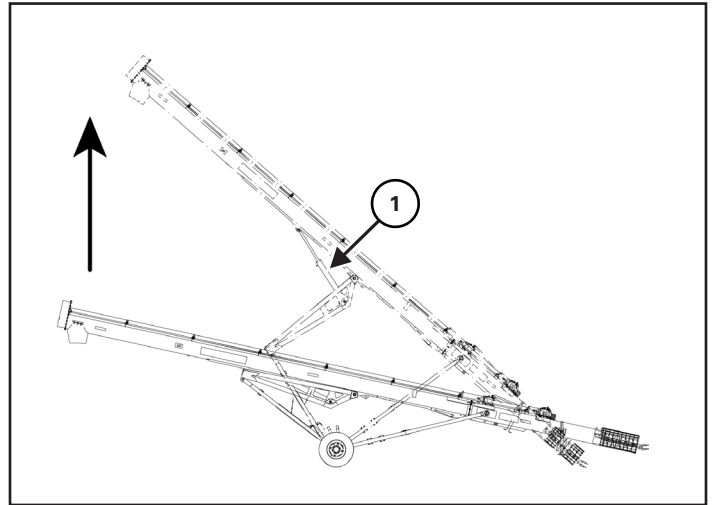
DANGER

ELECTROCUTION HAZARD

To prevent serious injury or death from electrocution:

- Be aware of overhead power lines.
- Electrocution can occur without direct contact.

Figure 140

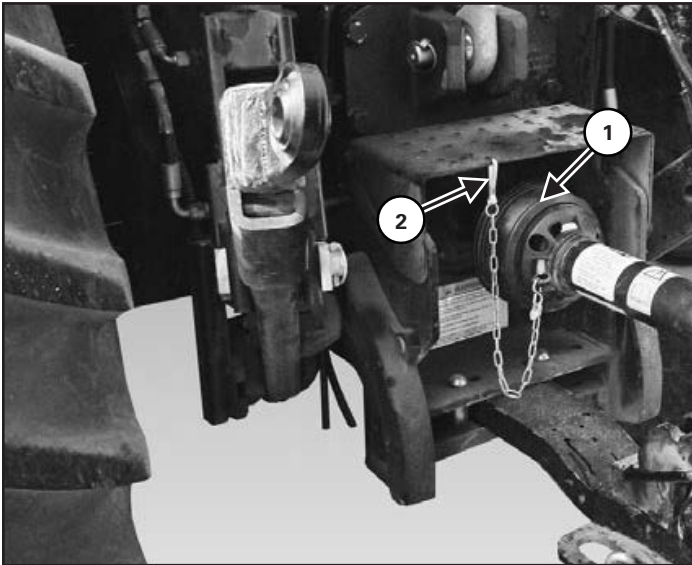


Act on the hydraulic controls to extend the main lift cylinder (Item 1) and auger scissor lift **[Figure 140]**.

PTO BELT DRIVE / DIRECT DRIVE

Connecting PTO Shaft

Figure 141



Position tractor next to auger frame.

Retract collar (Item 1) on PTO yoke to retract lock pin and slide yoke over tractor shaft [Figure 141].

Pull on yoke to make sure lock pin clicks into place.

Install PTO driveline safety chain (Item 2) [Figure 141].



AVOID INJURY OR DEATH

Do NOT exceed 1000 RPM PTO.

Keep PTO shields and all guards in place.

Keep away from moving parts.

Keep bystanders away.

Disconnecting PTO Shaft

Disengage the PTO and lower engine RPM speed.



AVOID INJURY OR DEATH

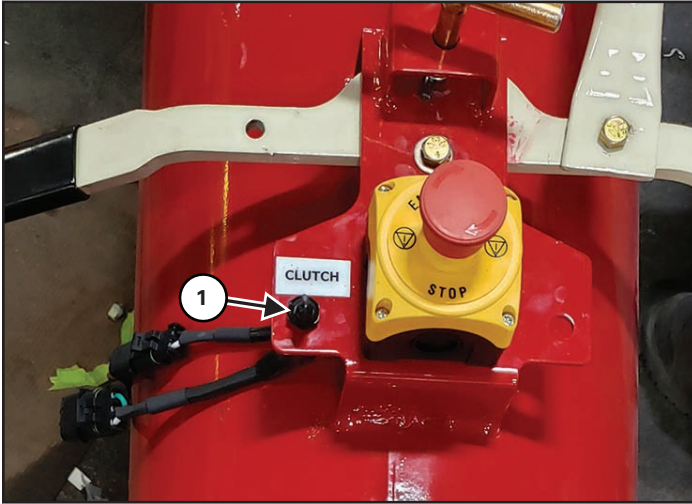
Wait for all moving parts to stop before disconnecting PTO.

Remove safety chain (Item 2) [Figure 141].

Retract collar (Item 1) on PTO yoke and slide off of tractor shaft [Figure 141].

ELECTRIC CLUTCH

Figure 142



Engine drive models are equipped with an electric clutch (Item 1) [Figure 142].

Engage the electric clutch to begin operation.

The clutch should not be engaged below 1200 RPM.

!

IMPORTANT

Engage the electric clutch only when auger is empty.

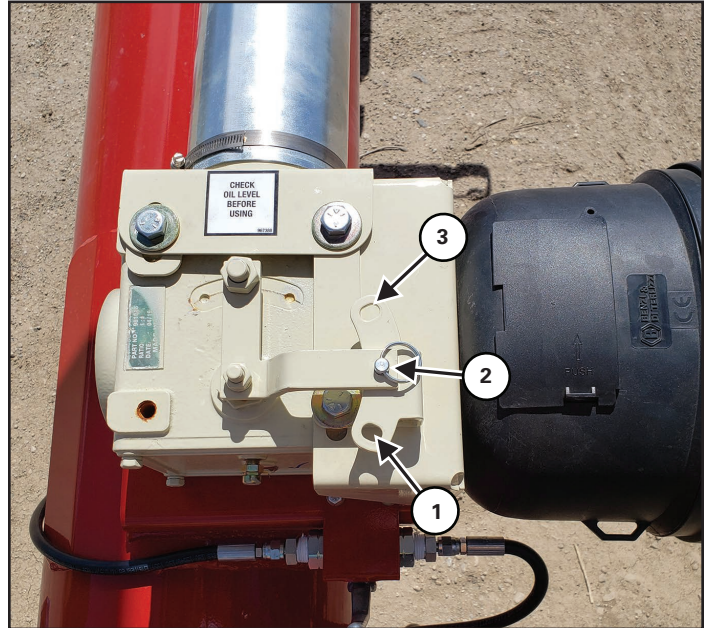
!

WARNING

Do NOT engage the electric clutch when running at high RPM or risk damage to the equipment.

SHIFTING GEARBOX

Figure 143



Shifting gearboxes are equipped with three settings.

Normal Setting (Item 1) [Figure 143]

The flighting moves material from the intake to the discharge spout. This setting should be used for normal operation.

Neutral Setting (Item 2) [Figure 143]

The flighting is stopped.

Reverse Setting (Item 3) [Figure 143]

The flighting will reverse and move any material in the tube to the intake.

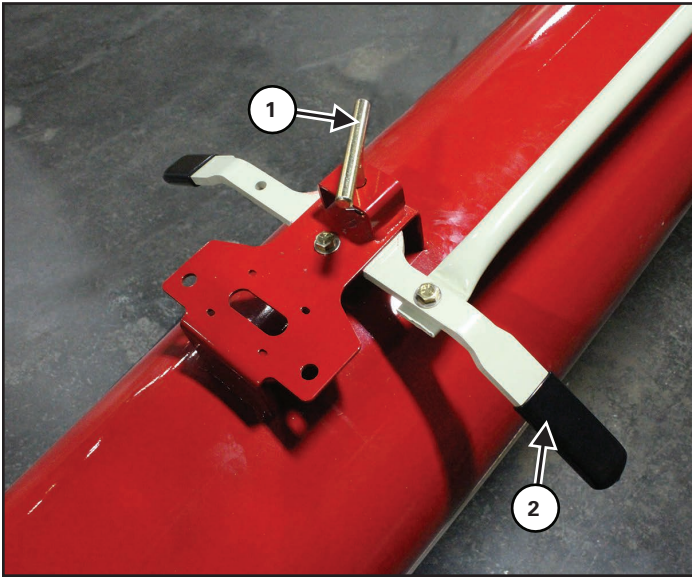
!

IMPORTANT

Always disengage power before shifting.

It may be necessary to manually turn the intake slightly to allow the internal gears to mesh.

Figure 144

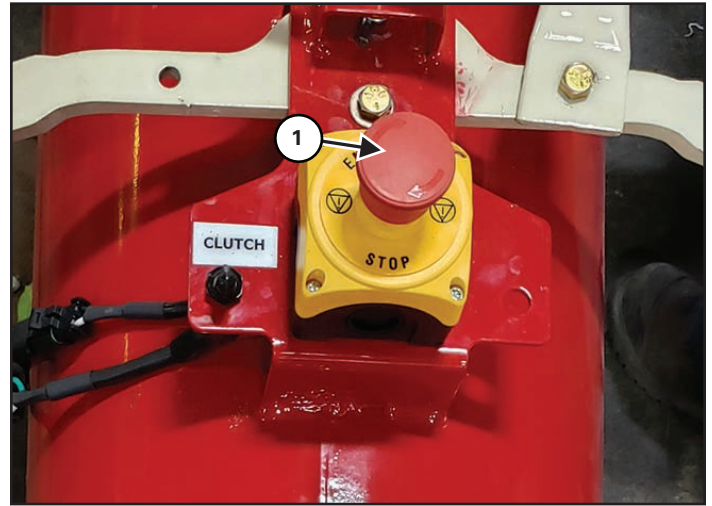


If equipped with a gearbox shifter, pull up on the lock (Item 1) and act on the shifter handle (Item 2) to change gearbox settings [Figure 144].

NOTE: Make sure the lock pin is securely in place at the desired setting.

EMERGENCY STOP

Figure 145



Engine drive models are equipped with an emergency stop (Item 1) [Figure 145].

FIELD OPERATION

Working Position

Review the pre-operation checklist (see Pre - Operation Checklist on **page 81**).

Move the equipment to work area (see Hitching / Unhitching on **page 84**).

Clear the area of bystanders, especially small children, before starting.

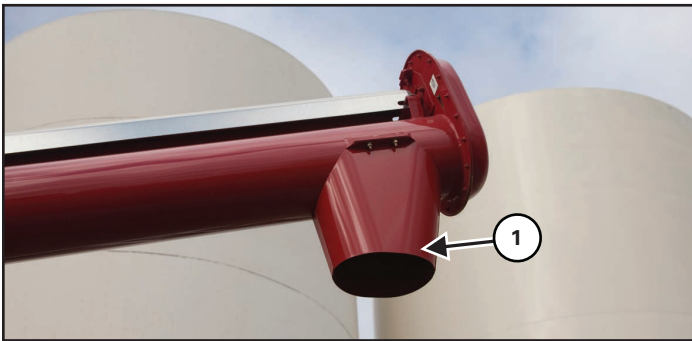
Review the Workplace Hazards schematics [**Figure 147**] and [**Figure 148**].

Use extra care when inside the hazard area. Keep all spectators and bystanders out of this area. Stop the machine immediately if anyone enter this area.

Back the machine up to the storage facility while it is in its lowered configuration.

Use the hydraulic or manual winch to slowly raise the machine into position (see Raising / Lowering Auger on **page 86**).

Figure 146



Slowly back the machine until the discharge spout (Item 1) is over the opening in the storage facility [**Figure 146**].

Use the hydraulic or manual winch to slowly lower the discharge end of the machine until it is just above the storage facility.

Figure 147

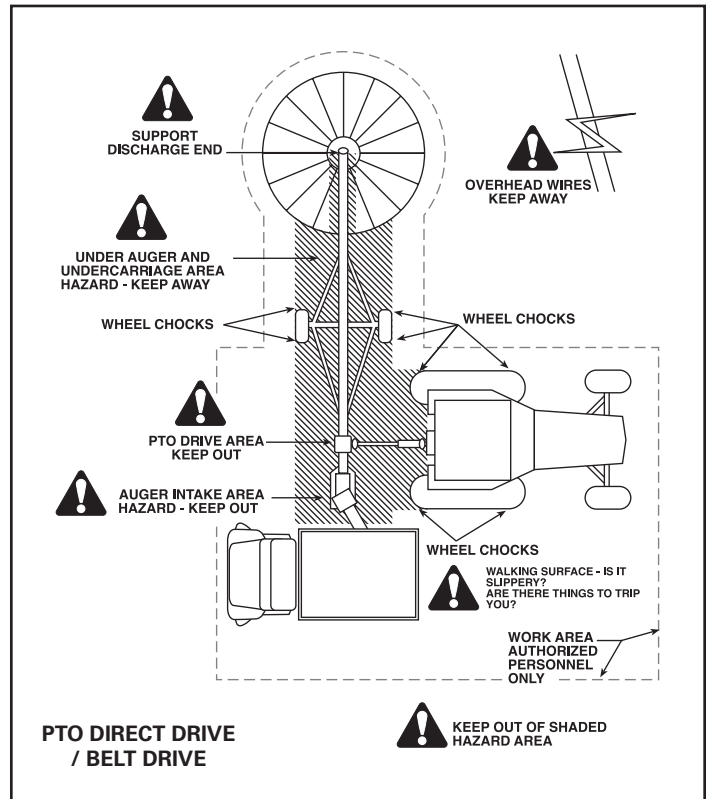
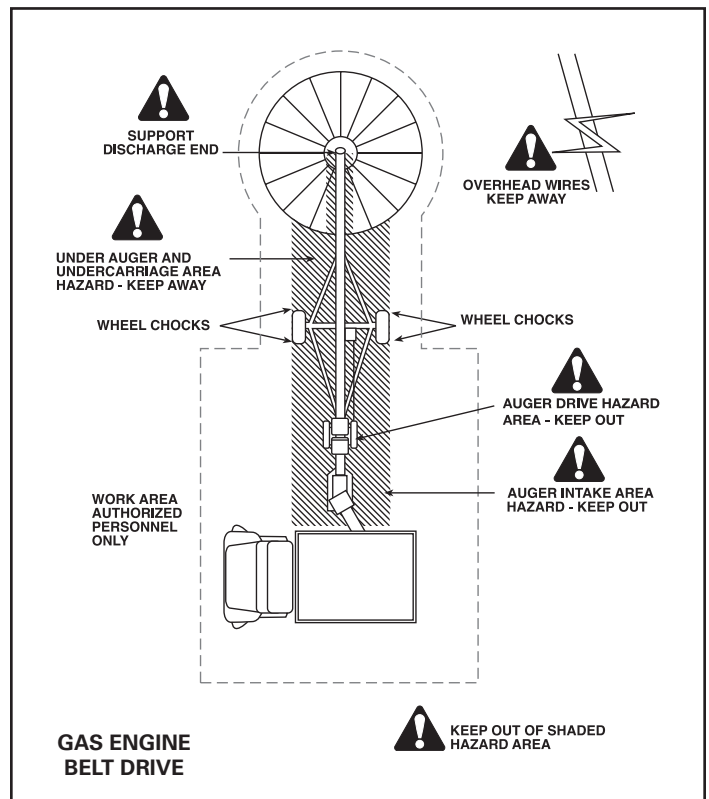


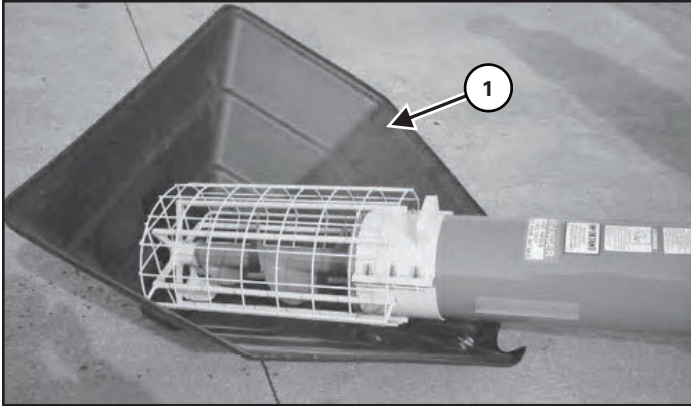
Figure 148



Place chocks in the front and rear of each wheel.

Unhook the unit from the tractor or towing vehicle (see Hitching / Unhitching Auger on **page 84**).

Figure 149



Raise the intake end slightly and slide the optional plastic hopper (Item 1) **[Figure 149]** under the intake. Nest the intake flighting frame in the bottom of the hopper.

! IMPORTANT

Make sure the tube does not rest on the storage facility, to prevent auger or storage facility damage.

Connect the PTO driveline if equipped (see PTO Belt Drive / Direct Drive on **page 87**).

Auger Operation

PTO Models:

1. Place all controls in neutral.
2. Start tractor and run at low idle.
3. Slowly engage the PTO clutch.
4. Start the flow of material and unload.
5. Increase engine speed to a rated PTO speed of 1000 rpm.
6. Stop unloading.
7. Run until the auger is empty.
8. Reduce engine speed to low idle.
9. Disengage PTO clutch.
10. Shut off engine and remove ignition key.

Gas Engine Model:

1. Disengage auger drive.
2. Move the throttle to its mid-range position.
3. Close the choke if the engine is cold or if the unit has not been run for a while.
4. Turn the ignition key clockwise to start the engine. Release the key when the engine starts.
5. Run for 2-3 minutes to allow the engine to warm.
6. Engage the auger drive.
7. Start the flow of material and unload.
8. Increase engine speed to maximum rpm.
9. Stop unloading.
10. Run until the auger is empty.
11. Move the throttle to its 1/4 position.
12. Disengage auger drive.
13. Shut off engine and remove ignition key.

TRANSPORTING

Always comply with federal, state, local and provincial laws regarding the transport of farm equipment on public roadways.



IMPORTANT

Do not exceed 20 mph (32 kph).



WARNING

Use of an unapproved hitch or tractor / tow vehicle can result in loss of control, leading to serious injury or death.

Tractor / tow vehicle and hitch must have the rated capacity to tow equipment.

Verify that the tractor / tow vehicle is approved for transporting the equipment and that the equipment is securely attached to the tractor / tow vehicle.

Verify safety chain is installed and properly connected before transporting equipment.

Verify that the SMV (Slow Moving Vehicle) emblem, all lights and reflectors are clean and visible.

Enter the operator's position, start the engine and release the parking brake.

Engage the tractor hydraulics (see the tractor's operator's manual for the correct procedure).

Fully raise the toolbar into transport position.



WARNING

AVOID SERIOUS INJURY OR DEATH

DO NOT transport loaded equipment on public roadways. Excess weight will greatly increase tractor stopping distance and may cause the operator to lose control of the tractor or tow vehicle.

The ratio of the tractor / tow vehicle weight to the loaded equipment weight plays an important role in defining acceptable travel speed.

TRAVEL SPEED - Acceptable travel speed.

WEIGHT RATIO - Weight of fully equipped or loaded implement(s) relative to weight of tractor / tow vehicle.

Maximum Travel Speed	Weight Ratio
20 mph (32 kph)	Less than 1 to 1
10 mph (16 kph)	Less than 2 to 1
DO NOT TOW	More than 2 to 1

MAINTENANCE

TROUBLESHOOTING.....	95
SERVICE SCHEDULE.....	96
LUBRICATION.....	97
BELTTENSION.....	98
Engine Drive Tension.....	98
PTO Belt Drive Tension.....	98
PTO DRIVE BEARING COLLAR.....	99
GEARBOX OIL.....	100
AXLES.....	101
Wheel Bolt Torque.....	101
Tire /Wheel Replacement.....	101
Tire Pressure.....	102
STORAGE AND RETURN TO SERVICE.....	103
Storage.....	103
Return To Service.....	103
SAFETY SIGN (DECAL) INSTALLATION.....	103
Procedure.....	103

Farm King



TROUBLESHOOTING



WARNING

Instructions are necessary before operating or servicing equipment. Read and understand the Operator And Parts Manual and safety signs (decals) on equipment. Follow warnings and instructions in the manuals when making repairs, adjustments or servicing. Check for correct function after adjustments, repairs or service. Untrained operators and failure to follow instructions can cause injury or death.

NOTE: If a problem is encountered that is difficult to solve, even after having read through this troubleshooting section, please call your local Farm King dealer. Before you call, please have this Operator And Parts Manual and the serial number of your machine at hand.

PROBLEM	CAUSE	CORRECTION
Auger will not run.	No power.	Engage / disengage electric clutch. Check wiring.
		Start gas engine or tractor and engage control.
	Drive belt loose.	Adjust drive belt tension.
	No fuel.	Refuel gas engine or tractor.
	Broken shear bolt.	Replace shear bolt.
Low capacity.	Auger frame angle is too steep.	Reposition to lower tube slope angle.
	Drive belt slipping.	Adjust drive belt tension.
	Incorrect speed.	Increase speed to rated rpm.
	Low volume.	Keep hopper full.
Flighting won't turn.	Seized bearing.	Replace damaged bearing.
	Flighting jammed.	Remove any foreign objects jammed in the flighting area.

SERVICE SCHEDULE

Maintenance work must be done at regular intervals. Failure to do so will result in excessive wear and early failures. The service schedule is a guide for correct maintenance of the equipment.



WARNING

Instructions are necessary before operating or servicing equipment. Read and understand the Operator and Parts Manual and safety signs (decals) on equipment. Follow warnings and instructions in the manuals when making repairs, adjustments or servicing. Check for correct function after adjustments, repairs or service. Untrained operators and failure to follow instructions can cause injury or death.

#	DESCRIPTION	SERVICE PROCEDURES					
		Check	Clean	Lube	Change	Cover	Repack
Daily Maintenance (or every 8 hours of use)							
1	PTO Shaft			•			
Weekly (or every 50 hours of use)							
2	Gearbox Oil Level	•					
3	Belt Tension	•					
Monthly (or every 100 hours of use)							
4	Discharge Chain Case			•			
5	Wheel Hubs			•			
6	Engine / PTO Mount			•			
Annually (or every 400 hours use)							
7	Wheel Bearings						•
8	Machine		•				
9	Gearbox Oil				•		

LUBRICATION

Always use a good quality multi-purpose / lithium base grease when lubricating the equipment.

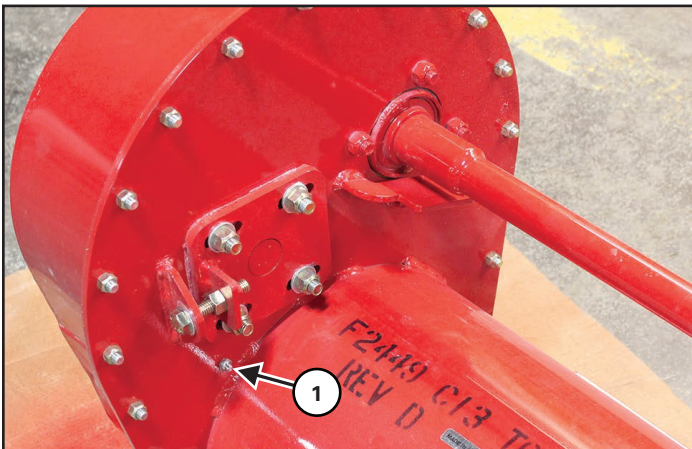
Recommendations:

- Always use a hand-held grease gun.
- Clean fitting before greasing, to avoid injecting dirt and grit.
- Replace and repair broken fittings immediately.
- If fittings will not take grease, remove and clean thoroughly. Replace fitting if necessary.

! IMPORTANT

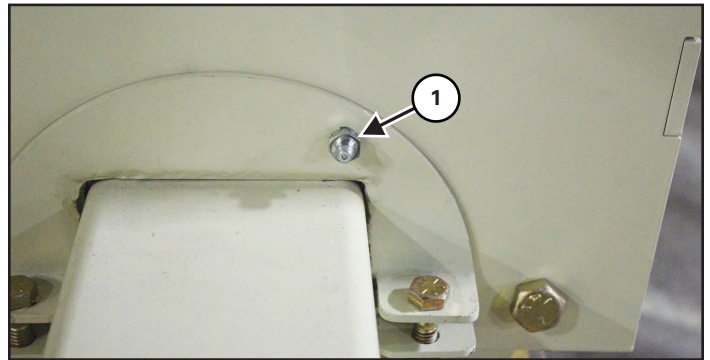
Fluid such as engine oil, hydraulic fluid, coolants, grease, etc. must be disposed of in an environmentally safe manner. Some regulations require that certain spills and leaks on the ground must be cleaned in a specific manner. See local, state and federal regulations for the correct disposal.

Figure 150



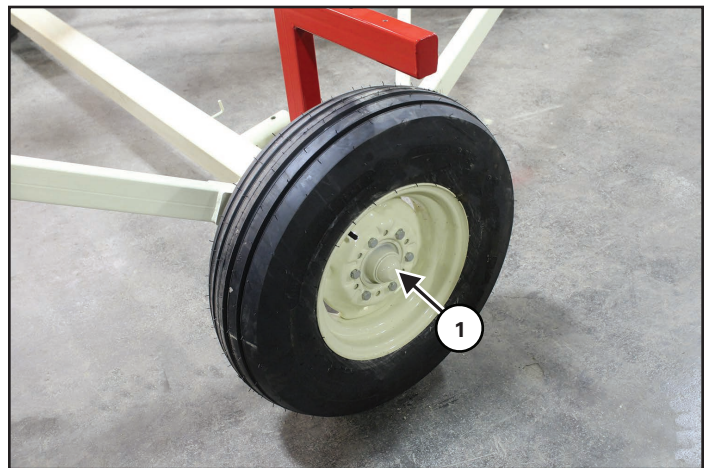
Lubricate the chain case (Item 1) monthly (or every 100 hours of use) [Figure 150].

Figure 151



Lubricate the engine / PTO mount (Item 1) monthly (or every 100 hours of use) [Figure 151].

Figure 152

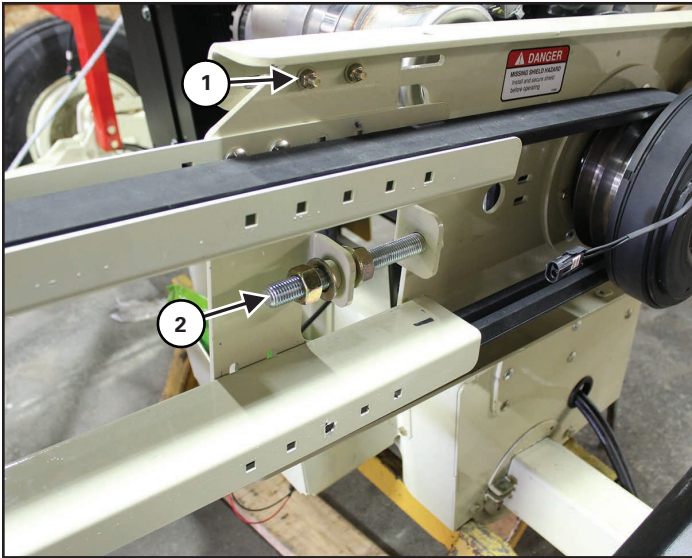


Lubricate the wheel hubs (Item 1) monthly (or every 100 hours of use) [Figure 152].

BELT TENSION

Engine Drive Tension

Figure 153



Remove the upper and lower covers from the belt tray.

Check the belt tension. Belts should be tight.

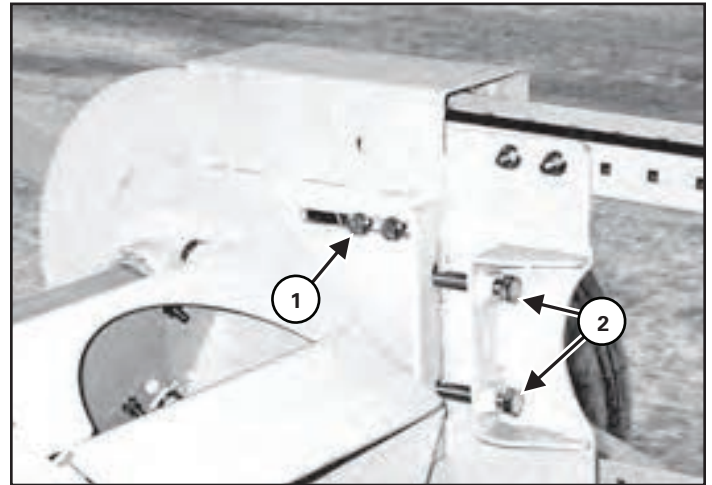
Loosen the slider bolts (Item 1). Tighten or loosen the adjustment bolt (Item 2) **[Figure 153]**.

Re-tighten slider bolts.

Reinstall the upper and lower covers from the belt trays.

PTO Belt Drive Tension

Figure 154



Remove the upper and lower covers from the belt trays.

Check the belt tension. Belts should be tight.

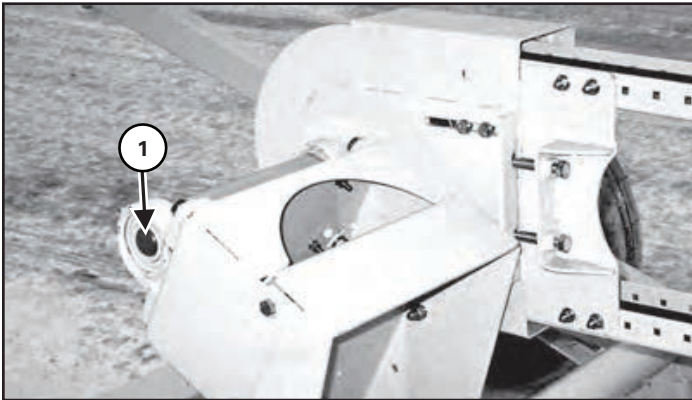
Loosen the slider bolts (Item 1). Tighten or loosen the adjustment bolts (Item 2) **[Figure 153]**.

Re-tighten slider bolts.

Reinstall the upper and lower covers from the belt trays.

PTO DRIVE BEARING COLLAR

Figure 155

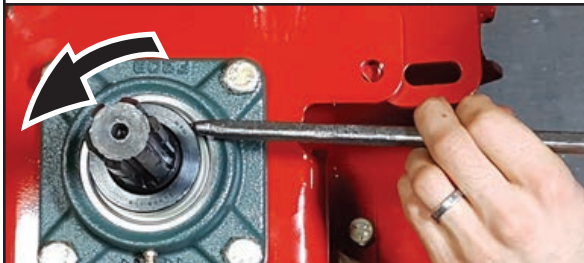


Tighten the bearing collar (Item 1) [Figure 155].



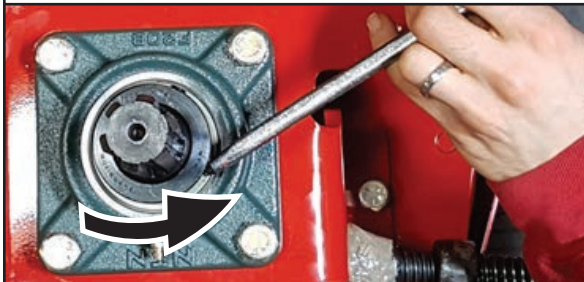
IMPORTANT

CORRECT



Tighten the bearing collar in the direction of shaft rotation.

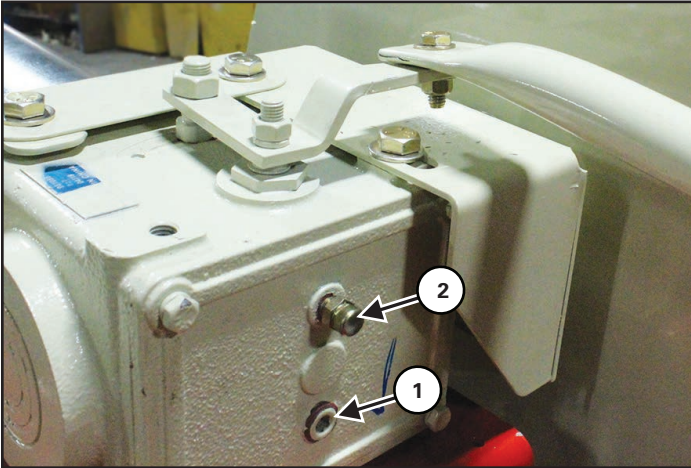
INCORRECT



Bearing collars depicted do not show exact PTO belt drive components, but procedure is correct.

GEARBOX OIL

Figure 156



Check the gearbox oil level.

Remove the drain plug (Item 1) from the side of the gearbox **[Figure 156]**.

Oil level should be just touching the threads.

Add oil through the fill plug (Item 2) as required **[Figure 156]**.

Reinstall drain and fill plugs.

Use SAE 80W90 synthetic oil.

AXLES

Wheel Bolt Torque



IMPORTANT

Check Wheel Bolts After:

1. First 3 (three) hours of field operation.
2. First 10 (ten) hours of field operation.
3. First 50 (fifty) hours of field operation.

REPEAT PROCEDURE IF A WHEEL IS REMOVED OR REINSTALLED

Torque wheel bolts to 120 ft-lbs (162 Nm).

Tighten wheel bolts in a criss-cross pattern.

Tire / Wheel Replacement

Periodically check tires for cuts, bulges and damaged rims.



WARNING

AVOID INJURY OR DEATH

Before you leave the operator's position:

- Always park on a flat level surface.
- Place all controls in NEUTRAL.
- Engage the park brake.
- Stop the engine and remove the key.
- Wait for all moving parts to stop.

Park the tractor / equipment on a flat level surface.

Place all controls in neutral, engage the park brake, stop the engine and wait for all moving parts to stop. Leave the operator's position.



WARNING

AVOID INJURY OR DEATH

Always chock tires before performing any maintenance or service.

Place chock blocks behind and in front of the opposite tire to be removed.

Raise axle frame with jack until the tire / wheel is slightly off the ground.

NOTE: Place blocks / stands under the frame to secure the equipment when tire / wheel is raised off the ground.

Remove the six wheel bolts and tire assembly.

Figure 157



Install the new tire with the valve stem facing out.

Reinstall six wheel bolts (Items 1). Tighten wheel bolts in a criss-cross pattern [Figure 157].

Tighten wheel bolts to proper torque.

Lower tire / wheel assembly to the ground.

After tightening the wheel bolts, pull the equipment approximately one mile and re-tighten the wheel bolts to proper torque.

Tire Pressure



CAUTION



When inflating tires, use a clip-on chuck and extension hose long enough to allow you to stand to one side and **NOT** in front of or over the tire assembly.

Check tire pressure daily.

Recommended tire pressure is 60 psi.

STORAGE AND RETURN TO SERVICE

Storage

Sometimes it may be necessary to store the equipment for an extended period of time. Below is a list of items to perform before storage.



IMPORTANT

DO NOT permit children to play on or around the stored machine.

- Thoroughly wash the machine with a pressure washer or water hose to remove all dirt, mud, debris or residue.
- Lubricate all bushings to remove any water residue from washing.
- Remove any material that has become entangled around any moving part.
- Inspect the hitch and all welds on the equipment for wear and damage.
- Check for loose hardware, missing guards, or damaged parts.
- Check for damaged or missing safety signs (decals). Replace if necessary.
- Replace worn or damaged parts.
- Touch up all paint nicks and scratches to prevent rusting.
- Place the equipment in a dry protected shelter.

NOTE: If a dry protected shelter is not available, cover with a waterproof tarp and tie down securely.

- Support the jack / frame with planks if required.

Return To Service

After the equipment has been in storage, it is necessary to follow a list of items to return the equipment to service.

- Be sure all shields and guards are in place.
- Lubricate the equipment.
- Connect to a tractor and operate equipment, verify all functions operate correctly.
- Check for leaks. Repair as needed.

SAFETY SIGN (DECAL) INSTALLATION

Procedure



IMPORTANT

When replacing safety signs (decals), the temperature must be above 10° C (50° F).

- Remove all portions of the damaged safety sign (decal).
- Thoroughly clean the area with adhesive remover and glass cleaner. Remove all adhesive residue.
- Allow the area to dry completely before installing the new safety sign (decal).
- Position the safety sign (decal) in the correct location.
- Remove a small portion of the backing paper on the safety sign (decal).
- Press on the safety sign (decal) where the backing paper has been removed.
- Slowly remove the remaining backing paper, pressing on the safety sign (decal) as the backing paper is removed.
- Using the backing paper, pressing firmly, move the backing paper over the entire safety sign (decal) area.

NOTE: Small air pockets can be pierced with a pin and smoothed out using the piece of the backing paper.

Farm King



PARTS IDENTIFICATION

GENERAL PARTS INFORMATION..... 108

UNDERCARRIAGE - C1342..... 108

UNDERCARRIAGE - C1652, C1362..... 110

UPPER LIFT ARM - C1342, C1352..... 112

UPPER LIFT ARM - C1362..... 113

LOWER LIFT ARM - C1342..... 114

LOWER LIFT ARM - C1352, C1362..... 116

TUBES DIRECT DRIVE - C1342..... 118

TUBES DIRECT DRIVE - C1352..... 122

TUBES DIRECT DRIVE - C1362..... 126

TUBES BELT DRIVE - C1342..... 130

TUBES BELT DRIVE - C1352..... 134

TUBES BELT DRIVE - C1362..... 138

TUBE SECTIONS..... 142

 Bottom Tube Direct Drive - C1342..... 142

 Bottom Tube Direct Drive - C1352..... 143

 Bottom Tube Direct Drive - C1362..... 144

 Bottom Tube Belt Drive - C1342..... 145

 Bottom Tube Belt Drive - C1352..... 146

 Bottom Tube Belt Drive - C1362..... 147

 Top Tube - All Units..... 148

PTO BELT DRIVE - C1342..... 150

PTO BELT DRIVE - C1352, C1362..... 154

ELECTRIC MOTOR DRIVE - C1342..... 160

ELECTRIC MOTOR DRIVE - C1352, C1362..... 164

ENGINE DRIVE - C1342..... 168

ENGINE DRIVE - C1352, C1362..... 170

ENGINE / MOTOR GUARDS..... 172

HYDRAULIC CYLINDER..... 174

AXLE STUB W/ HUB.....	175
HUB.....	176
WHEEL AND TIRE.....	177

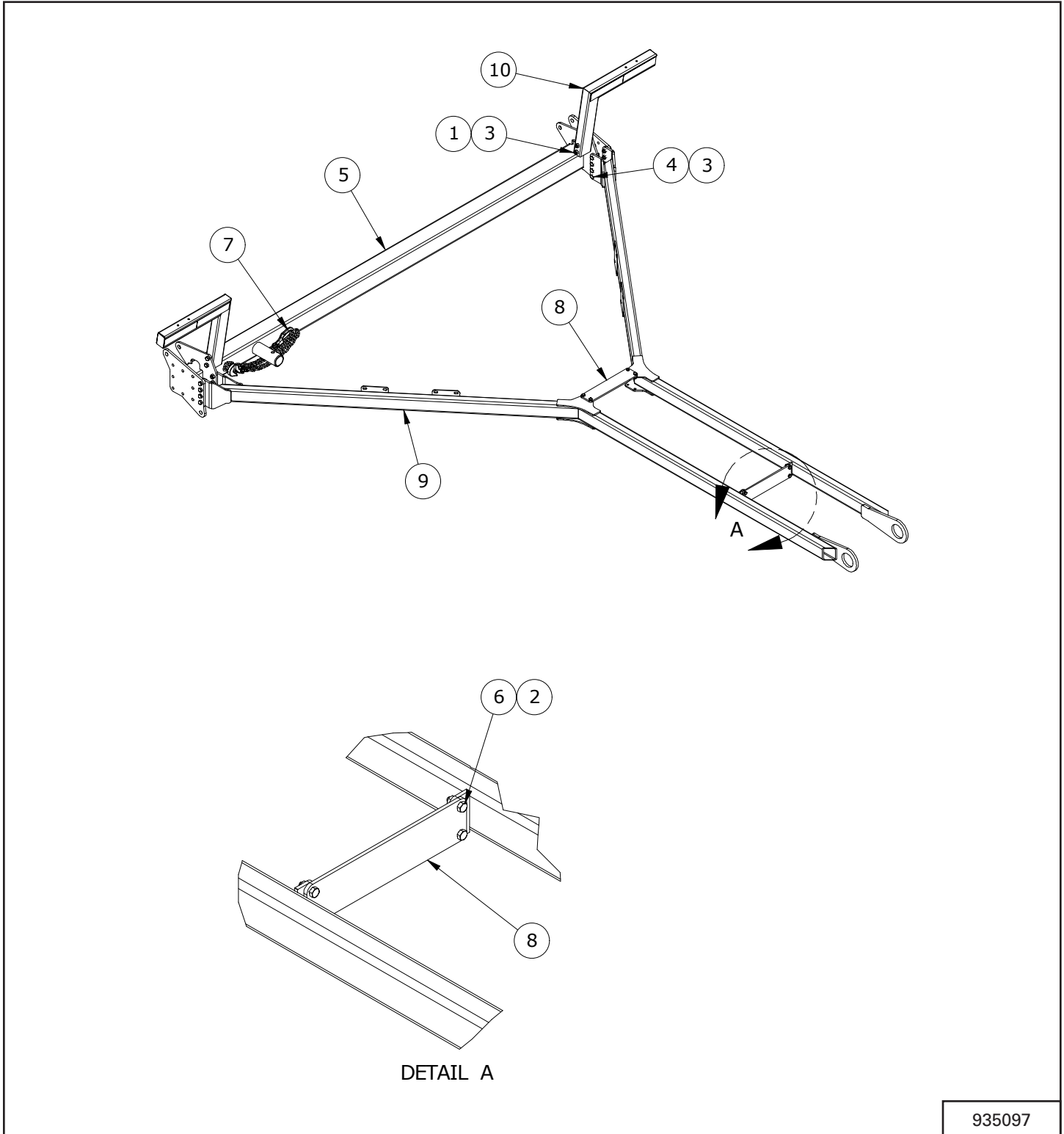
Farm King



GENERAL PARTS INFORMATION

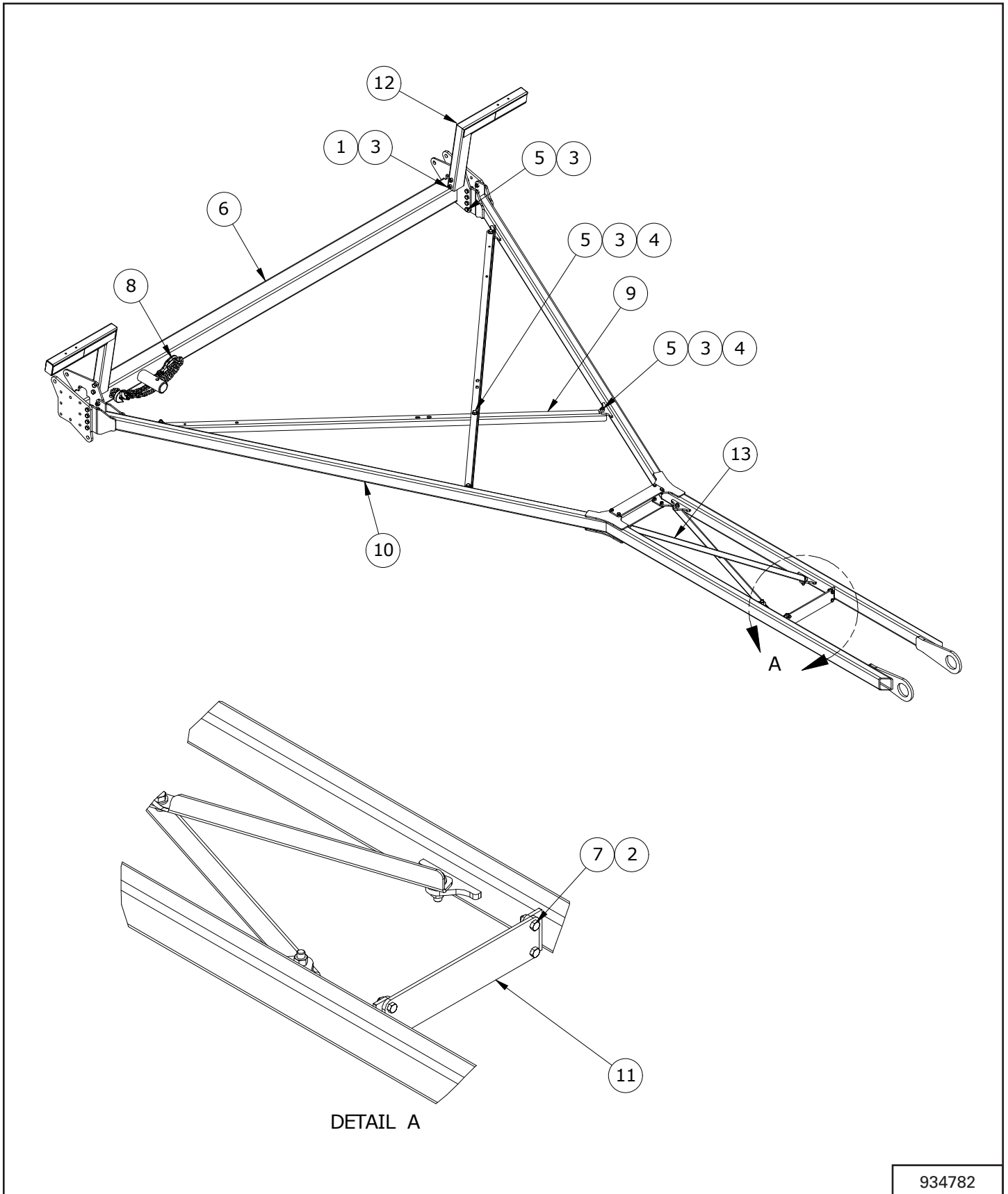
The parts identification section list descriptions, part numbers and quantities for all North America Base Model 13" Conventional Series Augers. Contact your Farm King dealer for additional parts information.

UNDERCARRIAGE - C1342



ITEM	PART NUMBER	DESCRIPTION	QTY.
1	811752	1/2" X 4" HEX BOLT (PL)	4
2	812363	3/8" LOCK NUT (PL)	8
3	812364	1/2" LOCK NUT (PL)	20
4	84277	1/2" X 1 1/2" HEX BOLT (PL)	16
5	F2549	WELDT-C1362 AXLE	1
6	86170	3/8" X 1" HEX BOLT GR.5 (PL)	8
7	910287	HOOK & SAFETY CHAIN ASSEMBLY	1
8	937106L	PLATE-C13 U/C CROSS	2
9	937343	WELDT-C1342 U/C ARM	2
10	937483	WELDT - LIGHT STAND	2

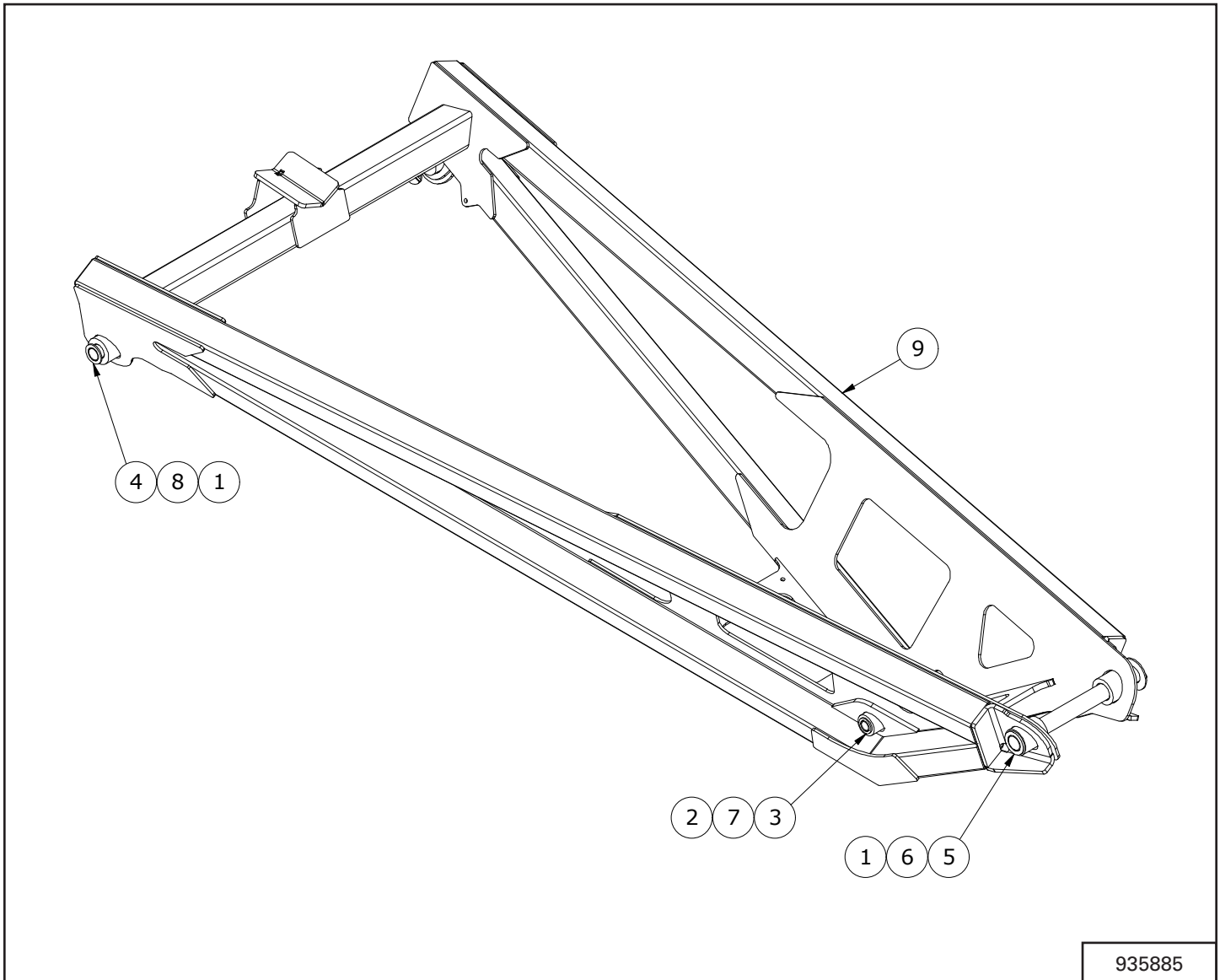
UNDERCARRIAGE - C1652, C1362



934782

ITEM	PART NUMBER	DESCRIPTION	QTY.
1	811752	1/2" X 4" HEX BOLT (PL)	4
2	812363	3/8" LOCK NUT (PL)	12
3	812364	1/2" LOCK NUT (PL)	30
4	84048	1/2" SAE FLAT WASHER (PL)	12
5	84277	1/2" X 1 1/2" HEX BOLT (PL)	26
6	F2549	WELDT-C1362 AXLE	1
7	86170	3/8" X 1" HEX BOLT GR.5 (PL)	12
8	910287	HOOK & SAFETY CHAIN ASSEMBLY	1
9	935907	PLATE-C13 CROSS BRACE	2
10	937102	WELDT-C1362 U/C ARM	2
11	937106L	PLATE-C13 U/C CROSS	3
12	937483	WELDT - LIGHT STAND	2
13	938046	PLATE-C13 CROSS BRACE	2

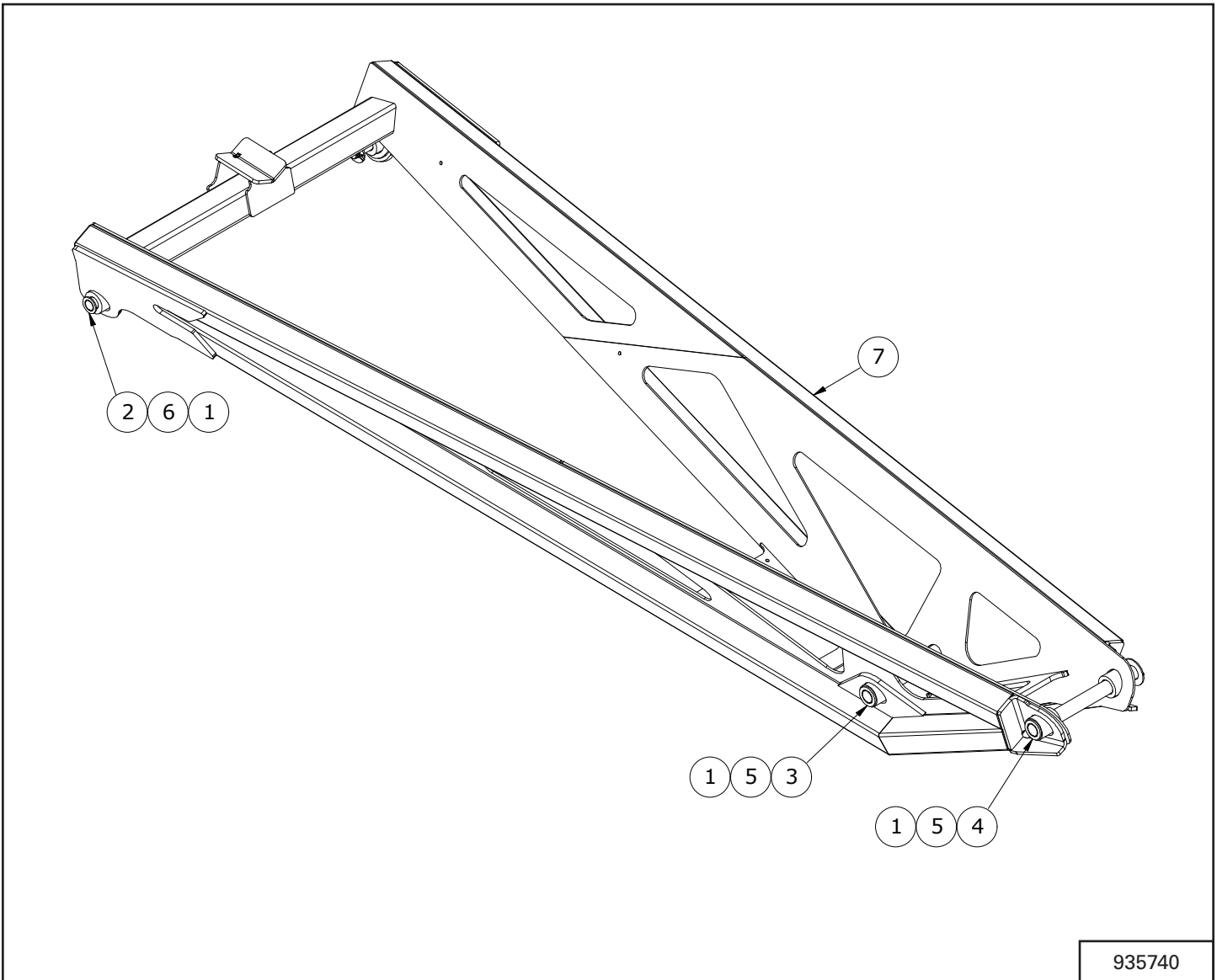
UPPER LIFT ARM - C1342, C1352



935885

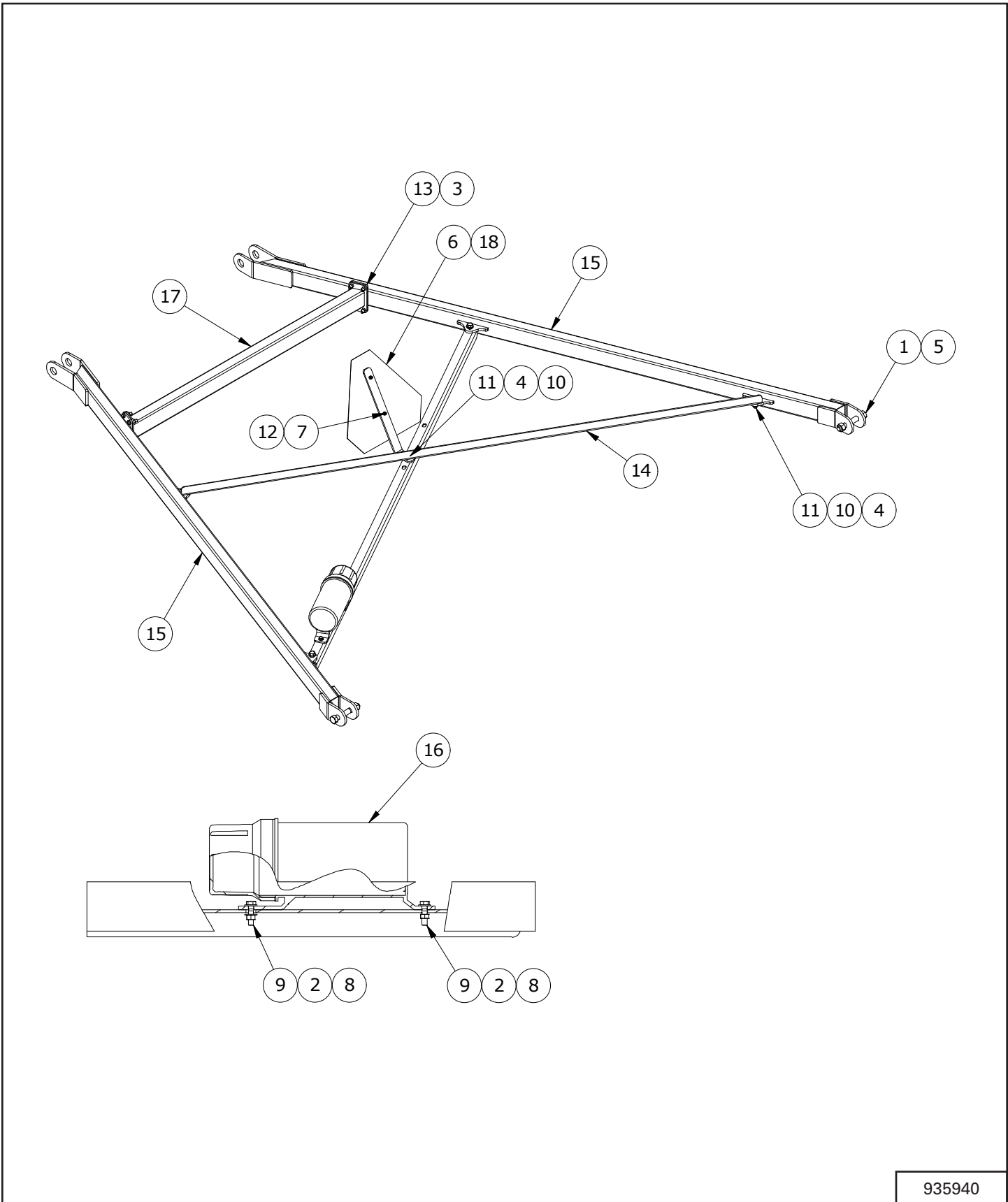
ITEM	PART NUMBER	DESCRIPTION	QTY.
1	81210	1/4" X 2" COTTER PIN (PL)	3
2	84522	1" ID SAE FLAT WASHER (PL)	1
3	960105	LIFT ARM PIVOT PIN WELDT 1.000" DIA	1
4	960110	SWIVEL PIN 1.250" DIA	2
5	960632	LIFT ARM PIVOT PIN WELDT 1.500" DIA	1
6	967135	1 1/2" RIM WASHER (10GA) (PL)	1
7	9812433	3/16" X 1 1/2" COTTER PIN	1
8	9812487	1 1/4" X 10GA NARROW RIM WASHER (PL)	2
9	F2592	WELDT-C1342/52 UPPER LIFT ARM	1

UPPER LIFT ARM - C1362



ITEM	PART NUMBER	DESCRIPTION	QTY.
1	81210	1/4" X 2" COTTER PIN (PL)	4
2	960110	SWIVEL PIN 1.250" DIA	2
3	960628	BOTTOM CYL PIN WELDT 1.500" DIA	1
4	960632	LIFT ARM PIVOT PIN WELDT 1.500" DIA	1
5	967135	1 1/2" RIM WASHER (10GA) (PL)	2
6	9812487	1 1/4" X 10GA NARROW RIM WASHER (PL)	2
7	F2579	WELDT-C1362 UPPER LIFT ARM	1

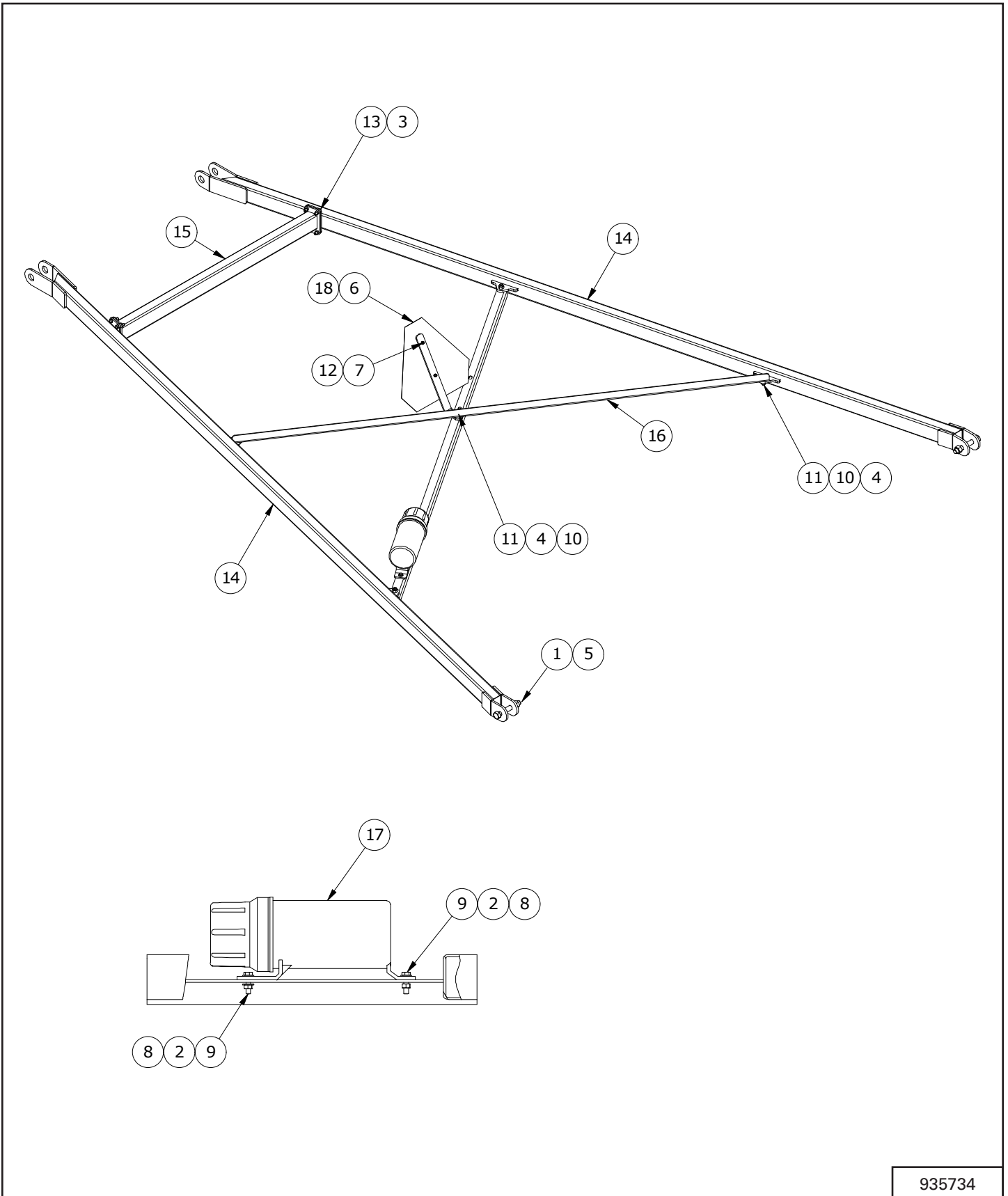
LOWER LIFT ARM - C1342



935940

ITEM	PART NUMBER	DESCRIPTION	QTY.
1	811751	3/4" X 5" HEX BOLT (PL)	2
2	812362	5/16" LOCK NUT (PL)	2
3	812363	3/8" LOCK NUT (PL)	8
4	812364	1/2" LOCK NUT (PL)	5
5	812365	3/4" LOCK NUT (PL)	2
6	967066	SLOW MOVING VEHICLE SIGN	1
7	81525	1/4" X 3/4" HEX BOLT (PL)	2
8	81546	5/16" FLAT WASHER (PL)	3
9	81552	5/16" X 1 1/4" HEX BOLT (PL)	2
10	84048	1/2" SAE FLAT WASHER (PL)	6
11	84277	1/2" X 1 1/2" HEX BOLT (PL)	5
12	84498	1/4" LOCK NUT (PL)	2
13	86171	3/8" X 1 1/4" HEX BOLT (PL)	8
14	935907	PLATE-C13 CROSS BRACE	2
15	935942	WELDT-C1342 LOWER LIFT ARM	2
16	935952	MANUAL HOLDER - 4.2" D	1
17	936698	WELDT-C13 CROSS BRACE	1
18	937324	BRKT-SMV	1

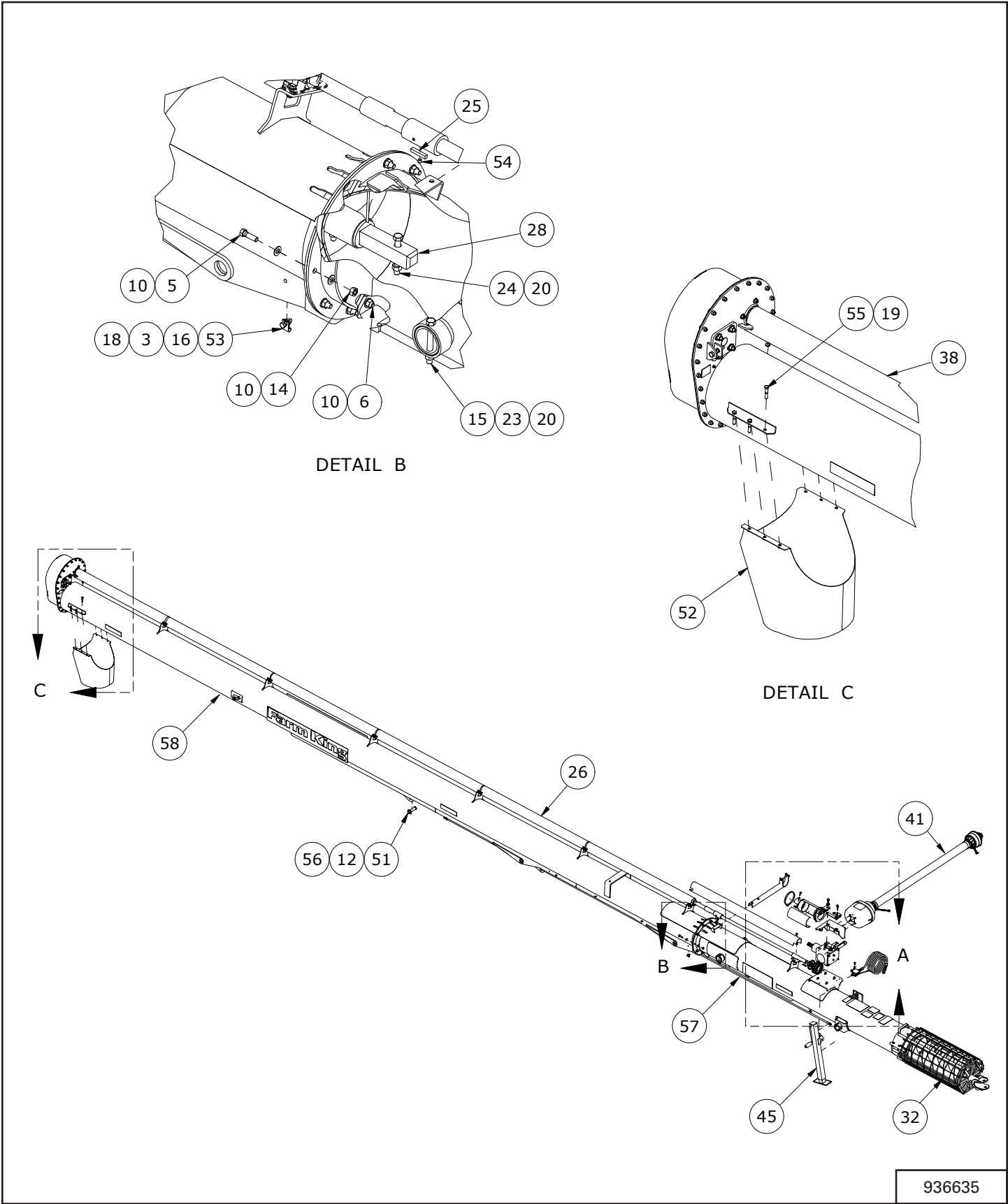
LOWER LIFT ARM - C1352, C1362

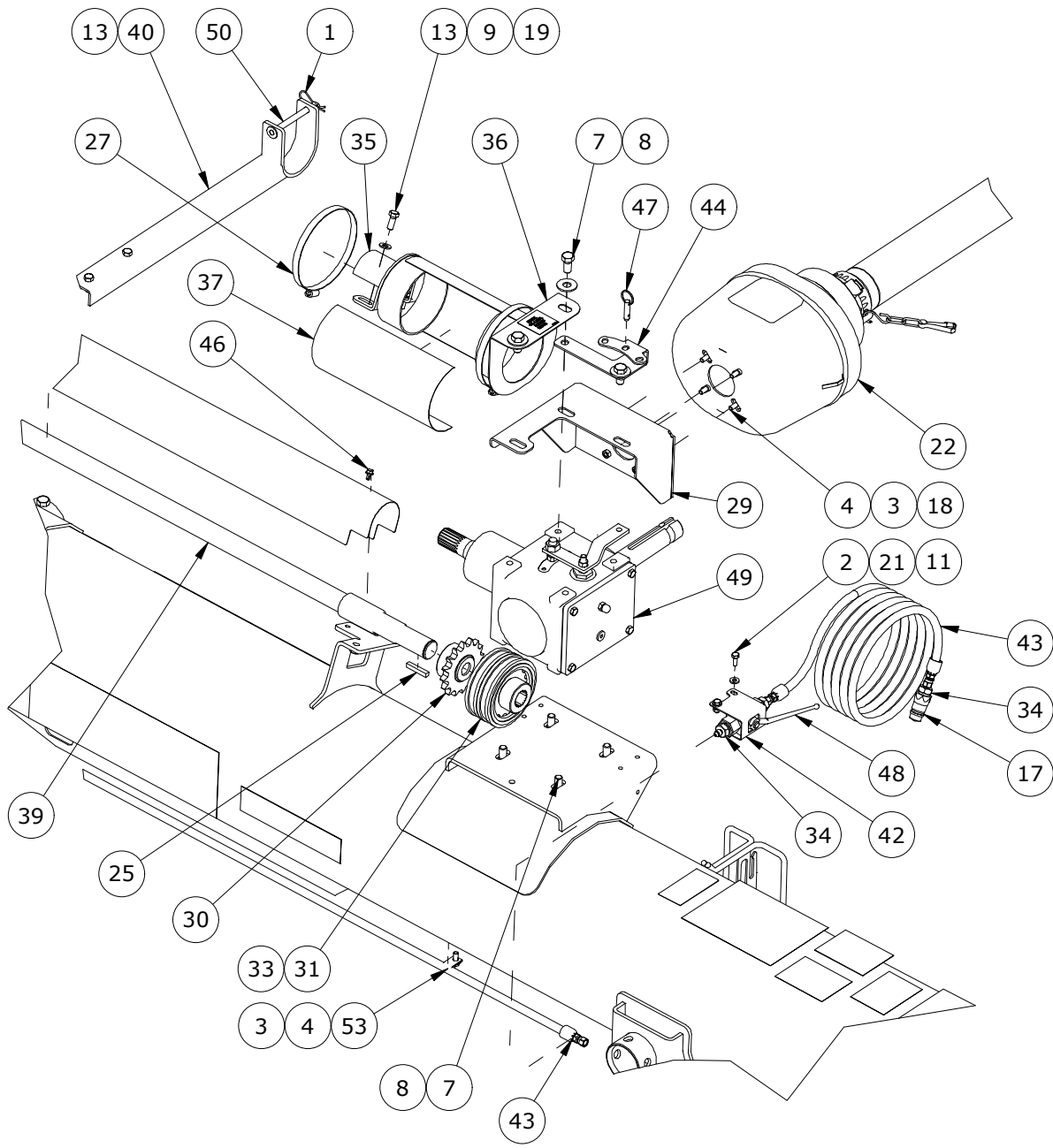


935734

ITEM	PART NUMBER	DESCRIPTION	QTY.
1	811751	3/4" X 5" HEX BOLT (PL)	2
2	812362	5/16" LOCK NUT (PL)	2
3	812363	3/8" LOCK NUT (PL)	8
4	812364	1/2" LOCK NUT (PL)	5
5	812365	3/4" LOCK NUT (PL)	2
6	967066	SLOW MOVING VEHICLE SIGN	1
7	81525	1/4" X 3/4" HEX BOLT (PL)	2
8	81546	5/16" FLAT WASHER (PL)	3
9	81552	5/16" X 1 1/4" HEX BOLT (PL)	2
10	84048	1/2" SAE FLAT WASHER (PL)	6
11	84277	1/2" X 1 1/2" HEX BOLT (PL)	5
12	84498	1/4" LOCK NUT (PL)	2
13	86171	3/8" X 1 1/4" HEX BOLT (PL)	8
14	935735	WELDT-C1362 LOWER LIFT ARM	2
15	935736	WELDT-C13 CROSS BRACE	1
16	935907	PLATE-C13 CROSS BRACE	2
17	935952	MANUAL HOLDER - 4.2" D	1
18	937324	BRKT-SMV	1

TUBES DIRECT DRIVE - C1342



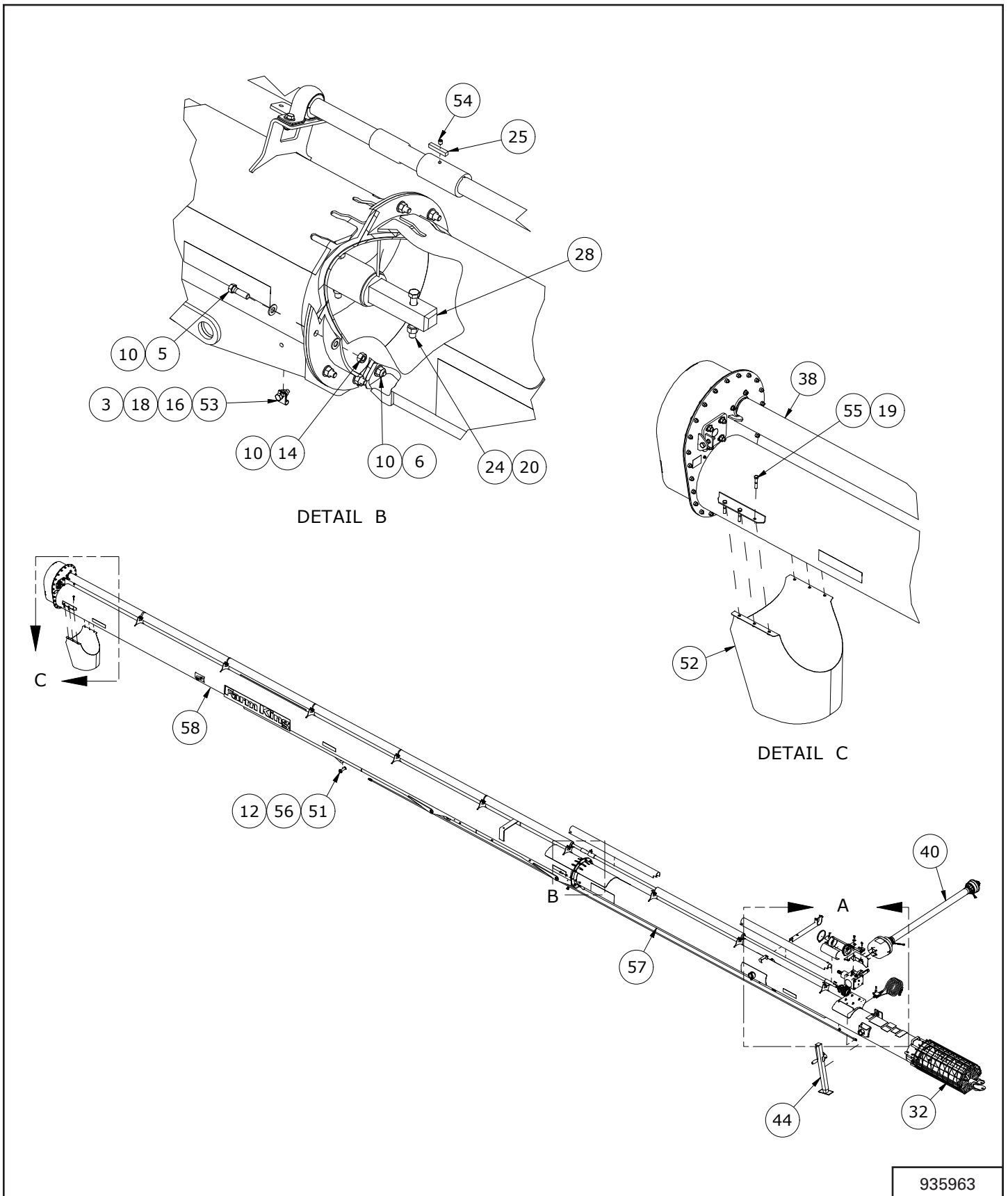


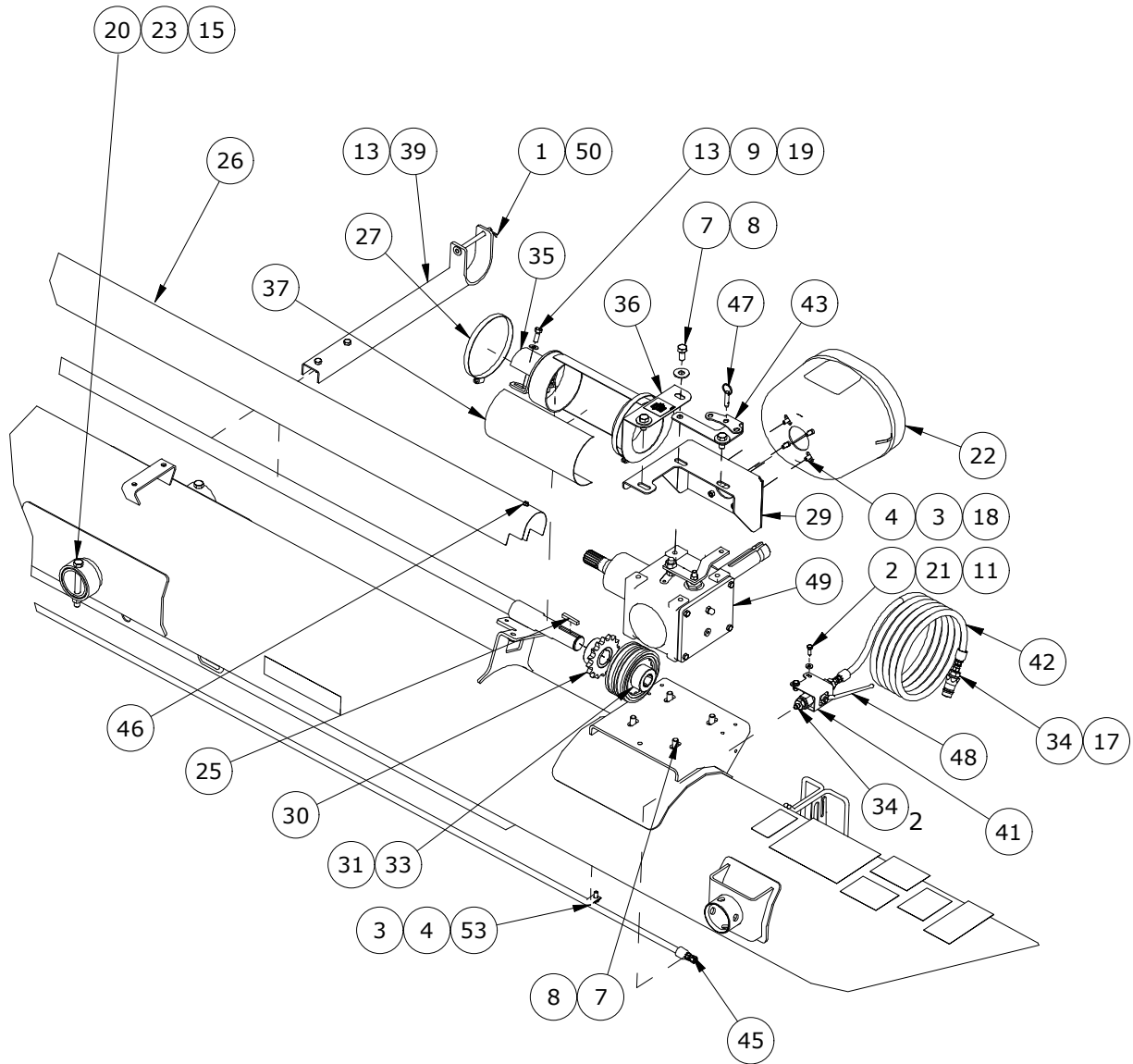
DETAIL A

ITEM	PART NUMBER	DESCRIPTION	QTY.
1	12780	#7 HAIR PIN CLIP	1
2	81525	1/4" X 3/4" HEX BOLT (PL)	3
3	81546	5/16" FLAT WASHER (PL)	9
4	81549	5/16" X 3/4" HEX BOLT (PL)	5
5	81599	7/16" X 1 1/2" HEX BOLT (PL)	10
6	81600	7/16" X 1 3/4" HEX BOLT GR5 PL	1
7	81619	1/2" X 1" HEX BOLT (PL)	7
8	81638	WASHER 0.563 FLAT STD HS PL	7
9	84039	WASHER - 3/8" SAE FLAT (PL)	2
10	84041	7/16" SAE FLAT WASHER (PL)	22
11	84498	1/4" LOCK NUT (PL)	3
12	84522	1" ID SAE FLAT WASHER (PL)	1
13	86170	3/8" X 1" HEX BOLT GR.5 (PL)	4
14	86273	7/16" LOCK NUT (PL)	11
15	811691	1/2" X 4 1/2" HEX BOLT (PL)	2
16	812026	5/16" X 1" HEX BOLT (PL)	4
17	812208	NIPPLE 1/2" BODY 1/2"-14 NPTF QUICK CONNECT	1
18	812362	5/16" LOCK NUT (PL)	8
19	812363	3/8" LOCK NUT (PL)	8
20	812364	1/2" LOCK NUT (PL)	4
21	812624	1/4" FLAT WASHER PL	3
22	819071	SHIELD - ROTARY CUTTER PTO	1
23	905736	UNDERCARR PIN SLEEVE 3 1/6"ID X 3 1/2"OD X 1 1/2"	2
24	910025	1/2" X 4" GR8 HEX BOLT (PL)	2
25	911394	KEY 5/16"SQ. X 58mm	2
26	912225	DRIVELINE SHIELD	6
27	913712	CLAMP HOSE-3.13 TO 6.00	2
28	918739	SHAFT-FLTG SQUARE	1
29	930559	BRKT-GUARD PIVOT	1
30	930991	WELDT - 16 TOOTH SPROCKET AND HUB	1
31	931596	DOUBLE 60 CHAIN	1
32	933888	ASSY-13" INTAKE GUARD	1
33	934855	WELDT - GEARBOX COUPLER	1
34	935958	ADAPTER-8MPT X -4MJIC	3
35	936622	WELDT- DRIVELINE GUARD	1
36	936624	WELDT - DRIVELINE GUARD	1
37	936625	BRKT - C13 DRIVELINE GUARD	2
38	936626	DRIVELINE SHIELD	1
39	936636	WELDT - DRIVELINE BTM SECT	1
40	936800	WELDT - PTO HNGR WELDT	1

ITEM	PART NUMBER	DESCRIPTION	QTY.
41	937063	ASSY-PTO SHAFT 1000 RPM	1
42	937208	BRKT - VALVE HOLDER	1
43	937354	HOSE -4 X -4 FJIC X -4 FJIC	2
44	937577	BRKT - GBOX LOCK	1
45	937579	5000 LB JACK	1
46	938093	SCREW SELFTAP-0.250NC X 0.50	1
47	940045	RING-GRIP QUICK RELEASE PIN	1
48	960057	-08 FNPT 2 WAY BALL VALVE	1
49	961086	GEARBOX-4190 SHIFT	1
50	961539	PTO HLDR PIN WELDT	1
51	965206	UPPER HITCH PIN WELDT 1.000" DIA	1
52	F9716	DISCHARGE SPOUT 13" B/S	1
53	912832	5/16X0.406 HOLE VINYL DIP CLAMP	5
54	967141	5/16" X 1/4" SOCKET SET SCREW (BR)	2
55	967291	3/8" X 2" FULL THREAD HEX BOLT (PL)	6
56	967436	1/8" X 1 1/4" COTTER PIN (PL)	1
57	F2580	ASSY-C1342 DD BOTTOM TUBE	1
58	F2449	ASSY - C13TOPTUBE	1

TUBES DIRECT DRIVE - C1352



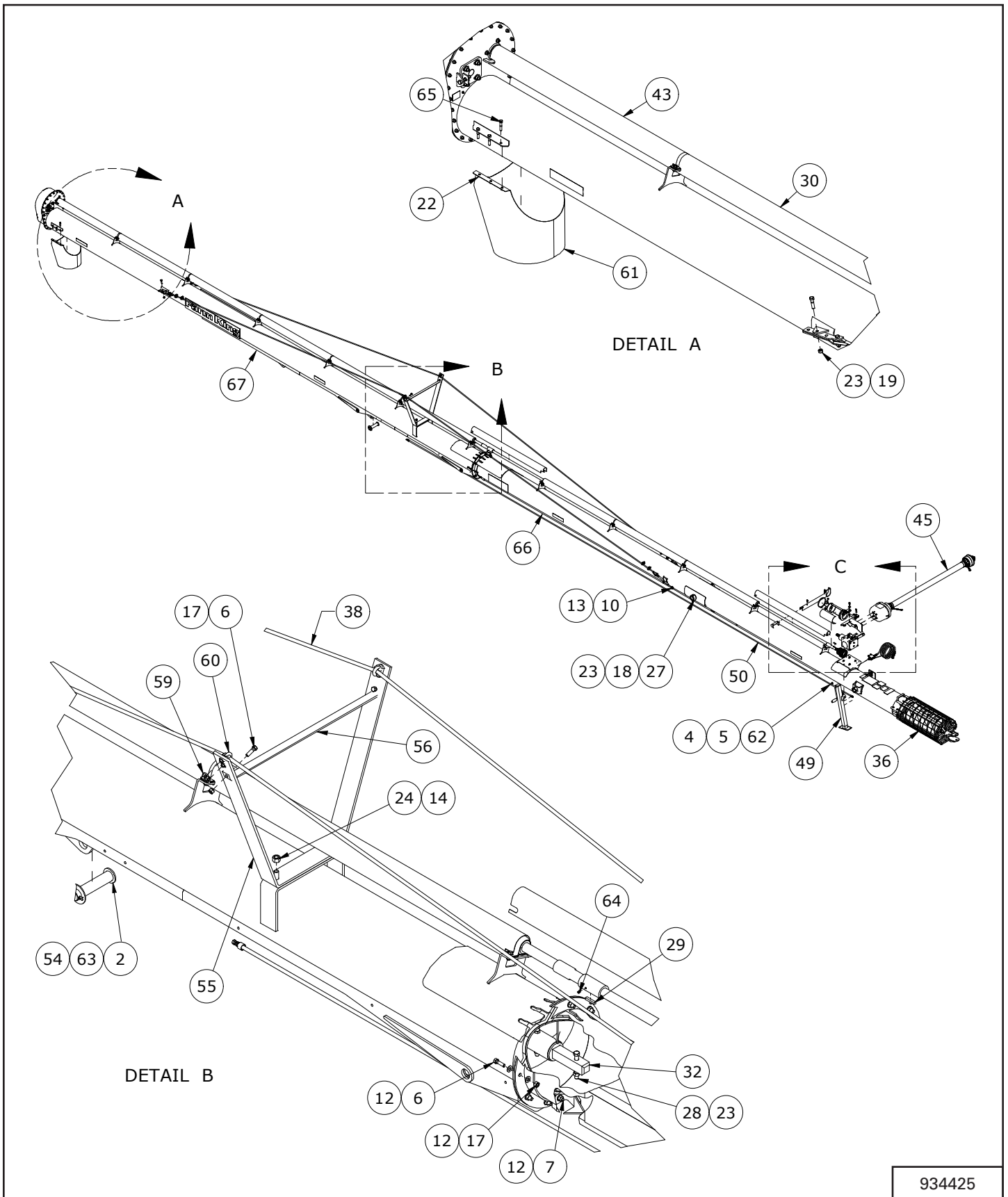


DETAIL A

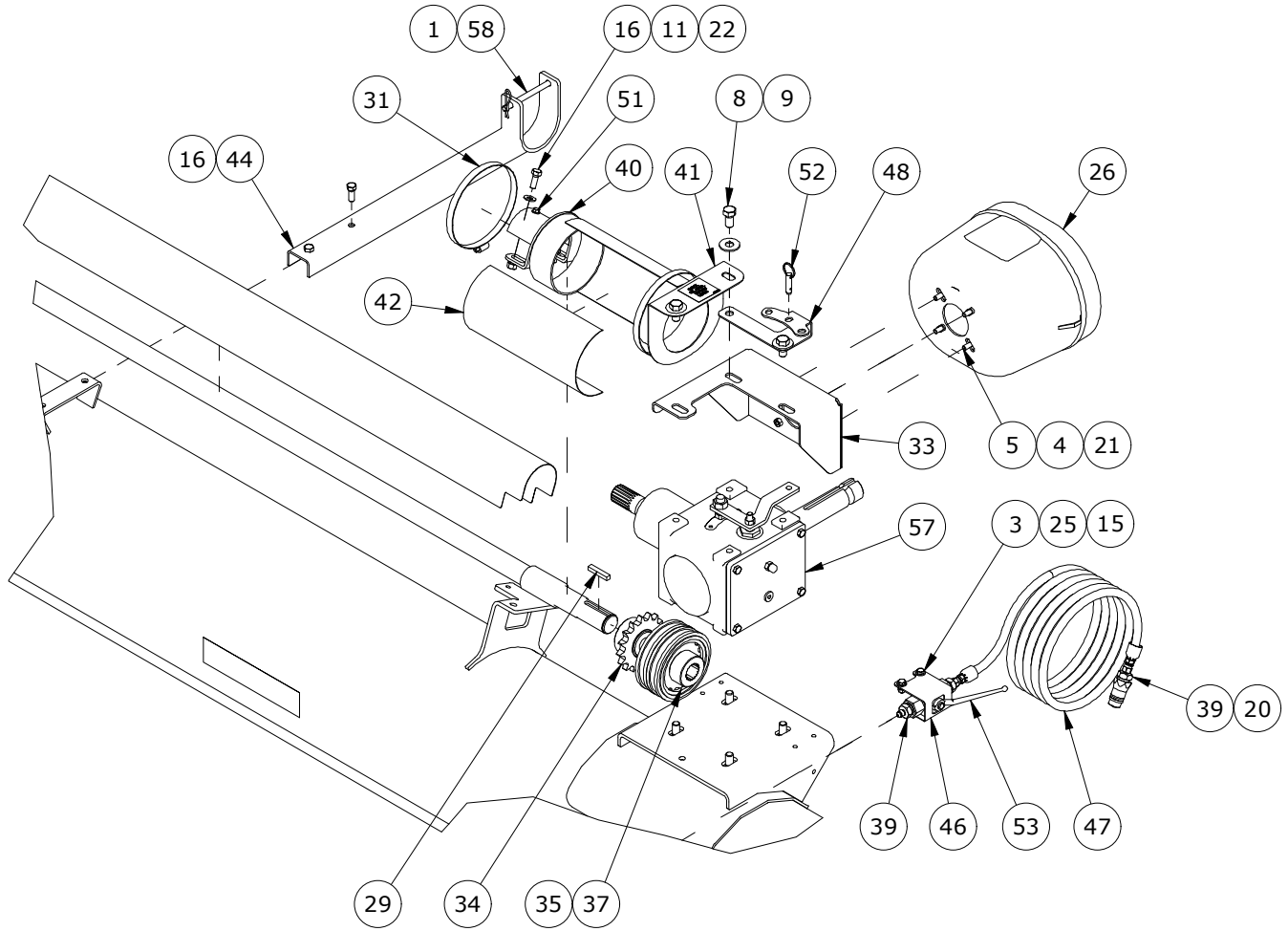
ITEM	PART NUMBER	DESCRIPTION	QTY.
1	12780	#7 HAIR PIN CLIP	1
2	81525	1/4" X 3/4" HEX BOLT (PL)	3
3	81546	5/16" FLAT WASHER (PL)	9
4	81549	5/16" X 3/4" HEX BOLT (PL)	5
5	81599	7/16" X 1 1/2" HEX BOLT (PL)	10
6	81600	7/16" X 1 3/4" HEX BOLT GR5 PL	1
7	81619	1/2" X 1" HEX BOLT (PL)	7
8	81638	WASHER 0.563 FLAT STD HS PL	7
9	84039	WASHER - 3/8" SAE FLAT (PL)	2
10	84041	7/16" SAE FLAT WASHER (PL)	22
11	84498	1/4" LOCK NUT (PL)	3
12	84522	1" ID SAE FLAT WASHER (PL)	1
13	86170	3/8" X 1" HEX BOLT GR.5 (PL)	4
14	86273	7/16" LOCK NUT (PL)	11
15	811691	1/2" X 4 1/2" HEX BOLT (PL)	2
16	812026	5/16" X 1" HEX BOLT (PL)	4
17	812208	NIPPLE 1/2" BODY 1/2"-14 NPTF QUICK CONNECT	1
18	812362	5/16" LOCK NUT (PL)	8
19	812363	3/8" LOCK NUT (PL)	8
20	812364	1/2" LOCK NUT (PL)	4
21	812624	1/4" FLAT WASHER PL	3
22	819071	SHIELD - ROTARY CUTTER PTO	1
23	905736	UNDERCARR PIN SLEEVE 3 1/6"ID X 3 1/2"OD X 1 1/2"	2
24	910025	1/2" X 4" GR8 HEX BOLT (PL)	2
25	911394	KEY 5/16"SQ. X 58mm	2
26	912225	DRIVELINE SHIELD	8
27	913712	CLAMP HOSE-3.13 TO 6.00	2
28	918739	SHAFT-FLTG SQUARE	1
29	930559	BRKT-GUARD PIVOT	1
30	930991	WELDT - 16 TOOTH SPROCKET AND HUB	1
31	931596	DOUBLE 60 CHAIN	1
32	933888	ASSY-13" INTAKE GUARD	1
33	934855	WELDT - GEARBOX COUPLER	1
34	935958	ADAPTER-8MPT X -4MJIC	3
35	936622	WELDT- DRIVELINE GUARD	1
36	936624	WELDT - DRIVELINE GUARD	1
37	936625	BRKT - C13 DRIVELINE GUARD	2
38	936626	DRIVELINE SHIELD	1
39	936800	WELDT - PTO HNGR WELDT	1
40	937063	ASSY-PTO SHAFT 1000 RPM	1

ITEM	PART NUMBER	DESCRIPTION	QTY.
41	937208	BRKT - VALVE HOLDER	1
42	937354	HOSE -4 X -4 FJIC X -4 FJIC	1
43	937577	BRKT - GBOX LOCK	1
44	937579	5000 LB JACK	1
45	937632	HOSE -4 X -4 FJIC X -4 FJIC	1
46	938093	SCREW SELFTAP-0.250NC X 0.50	1
47	940045	RING-GRIP QUICK RELEASE PIN	1
48	960057	-08 FNPT 2 WAY BALL VALVE	1
49	961086	GEARBOX-4190 SHIFT	1
50	961539	PTO HLDR PIN WELDT	1
51	965206	UPPER HITCH PIN WELDT 1.000" DIA	1
52	F9716	DISCHARGE SPOUT 13" B/S	1
53	912832	5/16X0.406 HOLE VINYL DIP CLAMP	5
54	967141	5/16" X 1/4" SOCKET SET SCREW (BR)	2
55	967291	3/8" X 2" FULL THREAD HEX BOLT (PL)	6
56	967436	1/8" X 1 1/4" COTTER PIN (PL)	1
57	F2578	ASSY-C1352 DD BOTTOM TUBE	1
58	F2449	ASSY - C13TOP TUBE	1

TUBES DIRECT DRIVE - C1362



934425

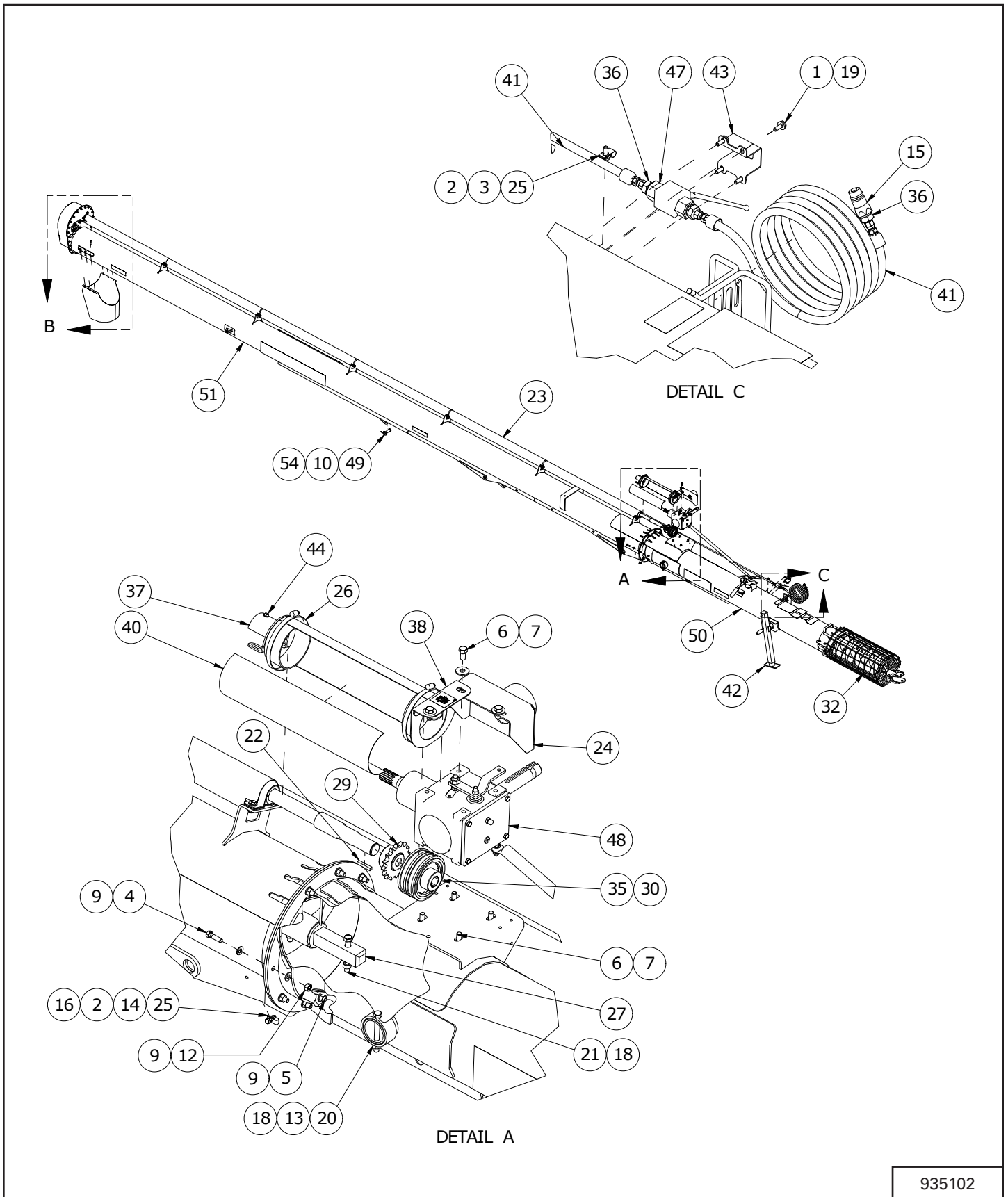


DETAIL C

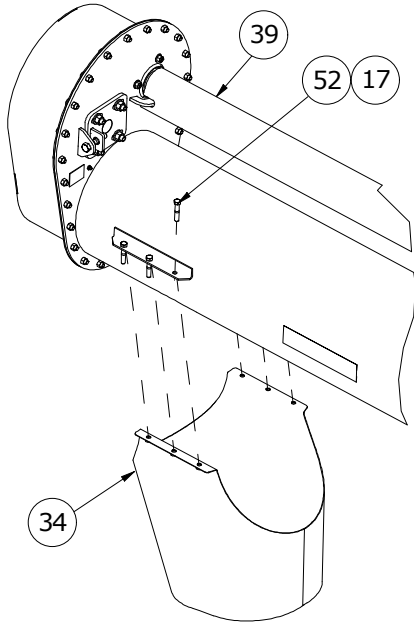
ITEM	PART NUMBER	DESCRIPTION	QTY.
1	12780	#7 HAIR PIN CLIP	1
2	81210	1/4" X 2" COTTER PIN (PL)	1
3	81525	1/4" X 3/4" HEX BOLT (PL)	3
4	81546	5/16" FLAT WASHER (PL)	5
5	81549	5/16" X 3/4" HEX BOLT (PL)	5
6	81599	7/16" X 1 1/2" HEX BOLT (PL)	12
7	81600	7/16" X 1 3/4" HEX BOLT GR5 PL	1
8	81619	1/2" X 1" HEX BOLT (PL)	7
9	81638	WASHER 0.563 FLAT STD HS PL	7
10	81700	3/4" HEX NUT (PL)	2
11	84039	WASHER - 3/8" SAE FLAT (PL)	2
12	84041	7/16" SAE FLAT WASHER (PL)	22
13	84050	3/4" S.A.E. FLAT WASHER (PL)	2
14	84299	5/8" X 2" HEX BOLT GR.5 (PL)	2
15	84498	1/4" LOCK NUT (PL)	3
16	86170	3/8" X 1" HEX BOLT GR.5 (PL)	4
17	86273	7/16" LOCK NUT (PL)	13
18	811691	1/2" X 4 1/2" HEX BOLT (PL)	2
19	811791	1/2" X 2" HEX BOLT (PL)	2
20	812208	NIPPLE 1/2" BODY 1/2"-14 NPTF QUICK CONNECT	1
21	812362	5/16" LOCK NUT (PL)	4
22	812363	3/8" LOCK NUT (PL)	8
23	812364	1/2" LOCK NUT (PL)	6
24	812482	5/8" LOCK NUT (PL)	2
25	812624	1/4" FLAT WASHER PL	3
26	819071	SHIELD - ROTARY CUTTER PTO	1
27	905736	UNDERCARR PIN SLEEVE 3 1/6"ID X 3 1/2"OD X 1 1/2"	2
28	910025	1/2" X 4" GR8 HEX BOLT (PL)	2
29	911394	KEY 5/16"SQ. X 58mm	2
30	912225	DRIVELINE SHIELD	10
31	913712	CLAMP HOSE-3.13TO 6.00	2
32	918739	SHAFT-FLTG SQUARE	1
33	930559	BRKT-GUARD PIVOT	1
34	930991	WELDT - 16 TOOTH SPROCKET AND HUB	1
35	931596	DOUBLE 60 CHAIN	1
36	933888	ASSY-13" INTAKE GUARD	1
37	934855	WELDT - GEARBOX COUPLER	1
38	935136	ASSY - CABLE BRIDGING C1362	2
39	935958	ADAPTER-8MPT X -4MJIC	3
40	936622	WELDT- DRIVELINE GUARD	1

ITEM	PART NUMBER	DESCRIPTION	QTY.
41	936624	WELDT - DRIVELINE GUARD	1
42	936625	BRKT - C13 DRIVELINE GUARD	2
43	936626	DRIVELINE SHIELD	1
44	936800	WELDT - PTO HNGR WELDT	1
45	937063	ASSY-PTO SHAFT 1000 RPM	1
46	937208	BRKT - VALVE HOLDER	1
47	937354	HOSE -4 X -4 FJIC X -4 FJIC	1
48	937577	BRKT - GBOX LOCK	1
49	937579	5000 LB JACK	1
50	937630	HOSE -4 X -4 FJIC X -4 FJIC	1
51	938093	SCREW SELFTAP-0.250NC X 0.50	1
52	940045	RING-GRIP QUICK RELEASE PIN	1
53	960057	-08 FNPT 2 WAY BALL VALVE	1
54	960629	LIFT ARM CLEV PIN WELDT 1.500" DIA	1
55	960675	LOWER BRIDGING YOKE	1
56	960677	BRIDGING TIE PL	1
57	961086	GEARBOX-4190 SHIFT	1
58	961539	PTO HLDR PIN WELDT	1
59	964001	1" X 7/16" X 10GA FLAT WASHER (PL)	4
60	964565	1/2" CABLE CLAMP (PL)	2
61	F9716	DISCHARGE SPOUT 13" B/S	1
62	912832	5/16x0.406 Hole Vinyl Dip Clamp	1
63	967135	1 1/2" RIM WASHER (10GA) (PL)	1
64	967141	5/16" X 1/4" SOCKET SET SCREW (BR)	2
65	967291	3/8" X 2" FULL THREAD HEX BOLT (PL)	6
66	F2542	ASSY- C1362 DD BOTTOM TUBE	1
67	F2449	ASSY - C13 TOP TUBE	1

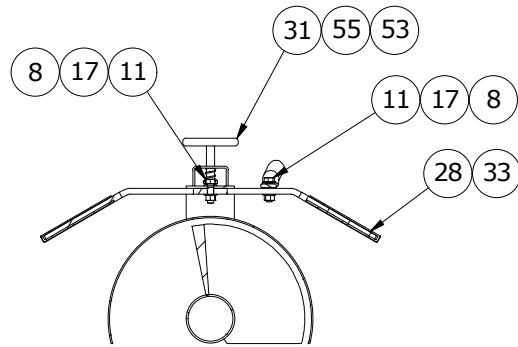
TUBES BELT DRIVE - C1342



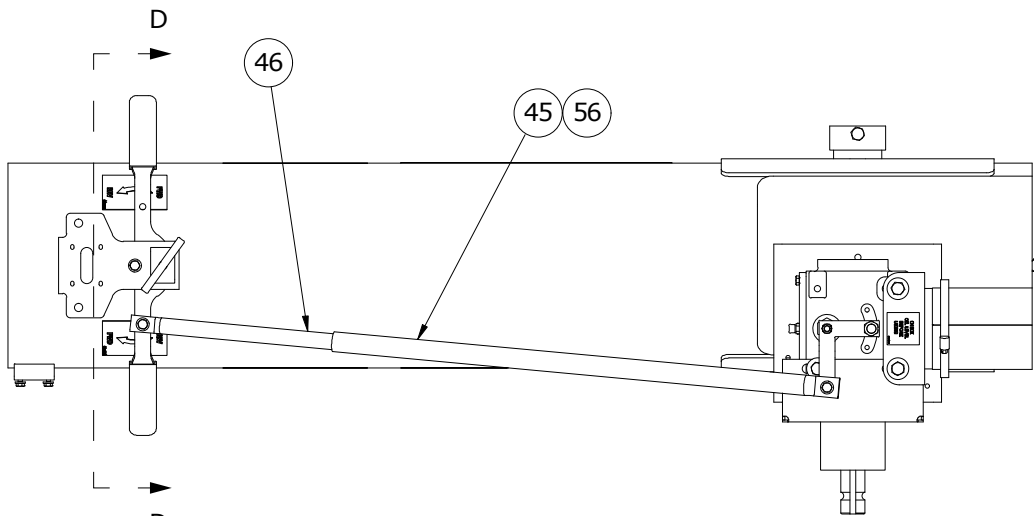
935102



DETAIL B



SECTION D-D

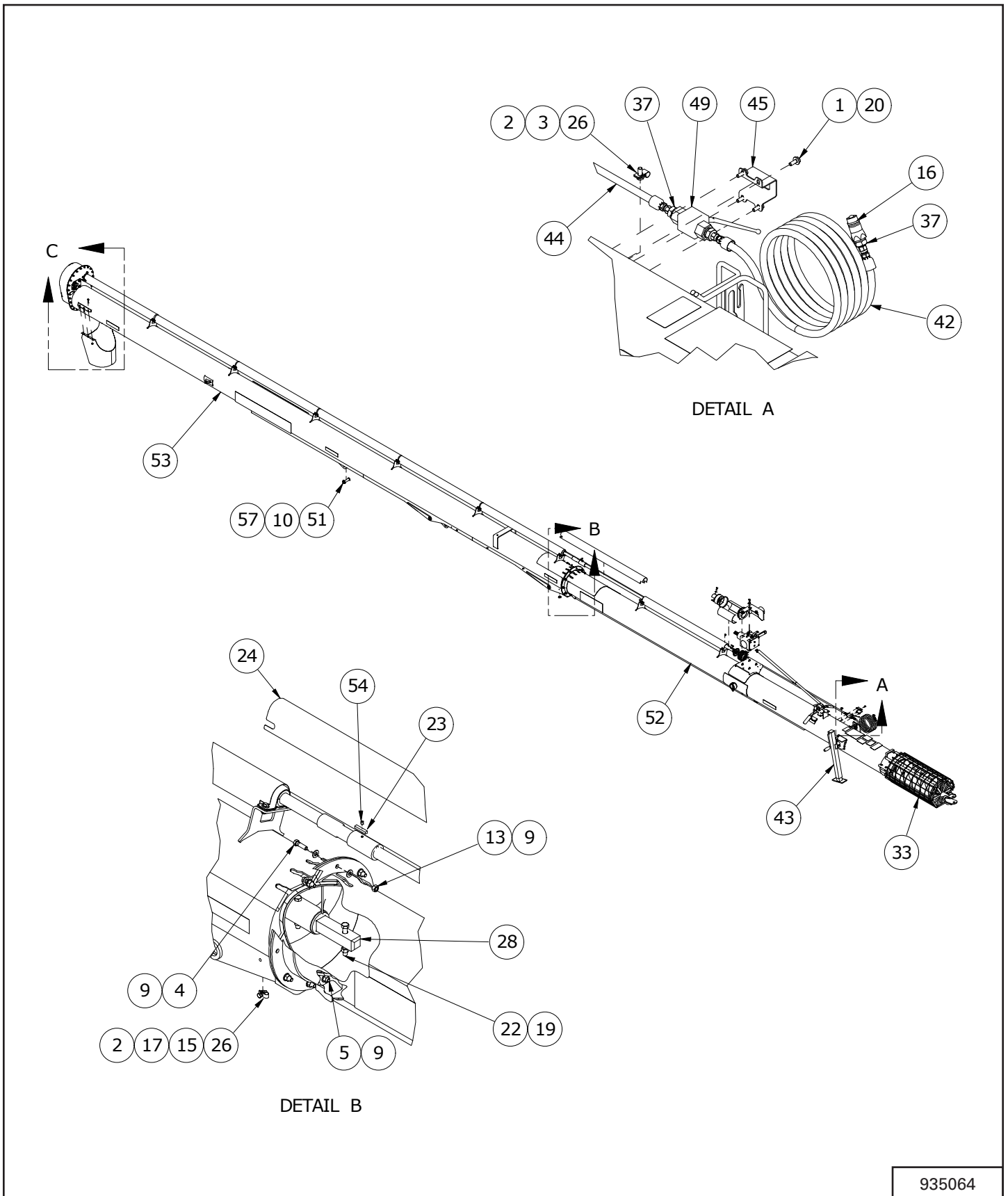


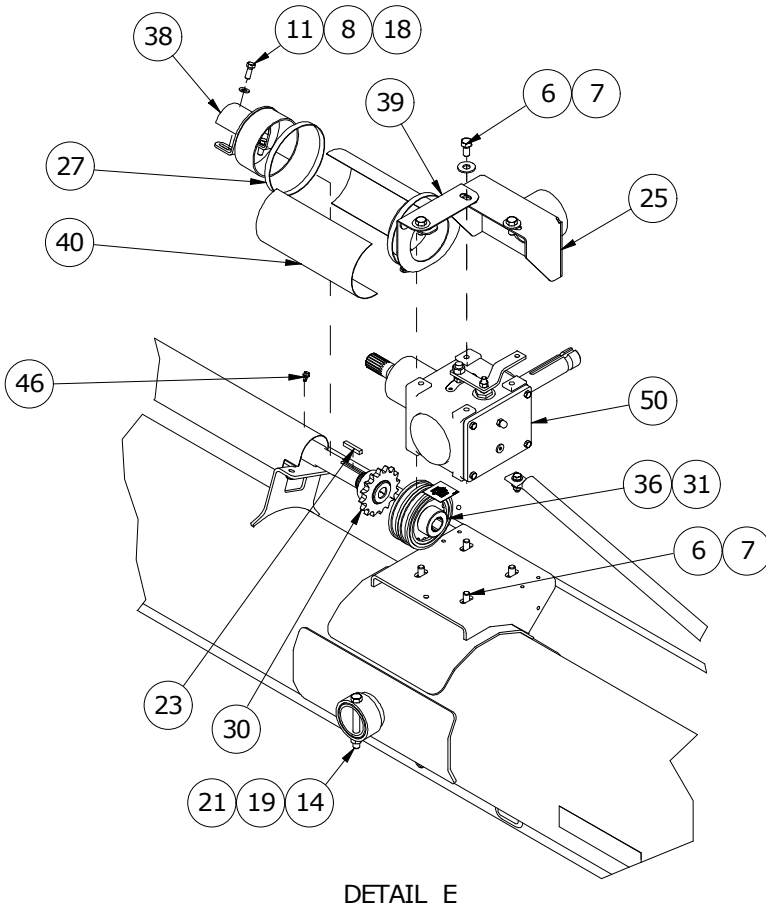
GEARBOX SHIFTER
TOP VIEW

ITEM	PART NUMBER	DESCRIPTION	QTY.
1	81525	1/4" X 3/4" HEX BOLT (PL)	4
2	81546	5/16" FLAT WASHER (PL)	5
3	81549	5/16" X 3/4" HEX BOLT (PL)	1
4	81599	7/16" X 1 1/2" HEX BOLT (PL)	10
5	81600	7/16" X 1 3/4" HEX BOLT GR5 PL	1
6	81619	1/2" X 1" HEX BOLT (PL)	7
7	81638	WASHER 0.563 FLAT STD HS PL	7
8	84039	WASHER - 3/8" SAE FLAT (PL)	8
9	84041	7/16" SAE FLAT WASHER (PL)	22
10	84522	1" ID SAE FLAT WASHER (PL)	1
11	86171	3/8" X 1 1/4" HEX BOLT (PL)	3
12	86273	7/16" LOCK NUT (PL)	11
13	811691	1/2" X 4 1/2" HEX BOLT (PL)	2
14	812026	5/16" X 1" HEX BOLT (PL)	4
15	812208	NIPPLE 1/2" BODY 1/2"-14 NPTF QUICK CONNECT	1
16	812362	5/16" LOCK NUT (PL)	4
17	812363	3/8" LOCK NUT (PL)	9
18	812364	1/2" LOCK NUT (PL)	4
19	812624	1/4" FLAT WASHER PL	4
20	905736	UNDERCARR PIN SLEEVE 3 1/6"ID X 3 1/2"OD X 1 1/2"	2
21	910025	1/2" X 4" GR8 HEX BOLT (PL)	2
22	911394	KEY 5/16"SQ. X 58MM	1
23	912225	DRIVELINE SHIELD	5
24	912774	ASSY-GEARBOX BRKT 10"	1
25	912832	7/16" CABLE CLIP	5
26	913712	CLAMP HOSE-3.13 TO 6.00	2
27	918739	SHAFT-FLTG SQUARE	1
28	930702	BRKT-HANDLE SHIFTER	1
29	930991	WELDT - 16 TOOTH SPROCKET AND HUB	1
30	931596	DOUBLE 60 CHAIN	1
31	933369	T-HANDLE PIN	1
32	933888	ASSY-13" INTAKE GUARD	1
33	JDCW25634	RUBBER GRIP	2
34	F9716	DISCHARGE SPOUT 13" B/S	1
35	934855	WELDT - GEARBOX COUPLER	1
36	935958	ADAPTER-8MPT X -4MJIC	3
37	936622	WELDT- DRIVELINE GUARD	1
38	936624	WELDT - DRIVELINE GUARD	1
39	936626	DRIVELINE SHIELD	1
40	936629	BRKT - C13 DRIVELINE GUARD	2

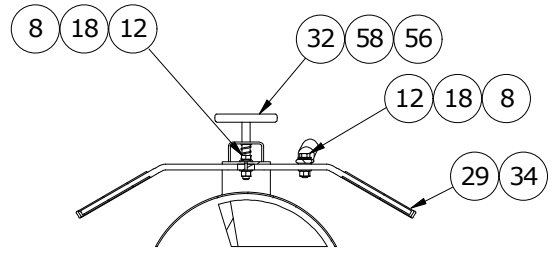
ITEM	PART NUMBER	DESCRIPTION	QTY.
41	937354	HOSE -4 X -4 FJIC X -4 FJIC	2
42	937579	5000 LB JACK	1
43	937851	BRKT - VALVE HOLDER	1
44	938093	SCREW SELFTAP-0.250NC X 0.50	1
45	938101	WELDT - SHIFTER LINK OUTER	1
46	938103	TUBE - SHIFTER LINK INNER	1
47	960057	-08 FNPT 2 WAY BALL VALVE	1
48	961086	GEARBOX-4190 SHIFT	1
49	965206	UPPER HITCH PIN WELDT 1.000" DIA	1
50	F2552	ASSY-C1342 EL,E,P BOTTOM TUBE	1
51	F2449	ASSY - C13TOPTUBE	1
52	967291	3/8" X 2" FULL THREAD HEX BOLT (PL)	6
53	9812425	1/4" X 1 1/4" SPRING PIN (PL)	1
54	967436	1/8" X 1 1/4" COTTER PIN (PL)	1
55	973280	SPRING - 0.062"T X 0.310"P X 1.380"L	1
56	985639	3/8" X 1/2" SOCKET SET SCREW (BR)	1

TUBES BELT DRIVE - C1352

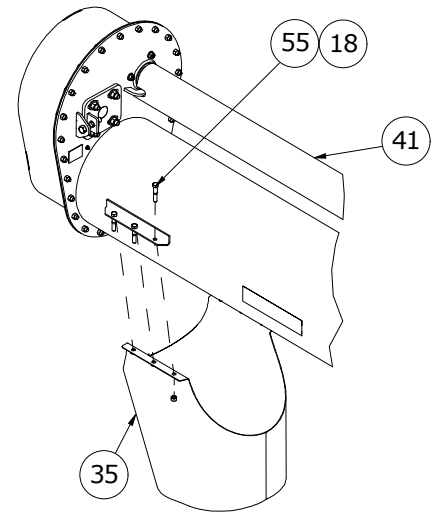




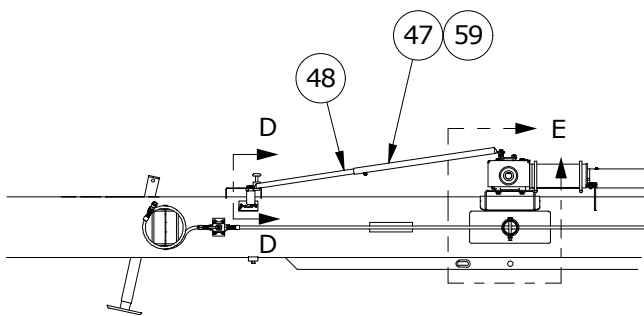
DETAIL E



SECTION D-D



DETAIL C

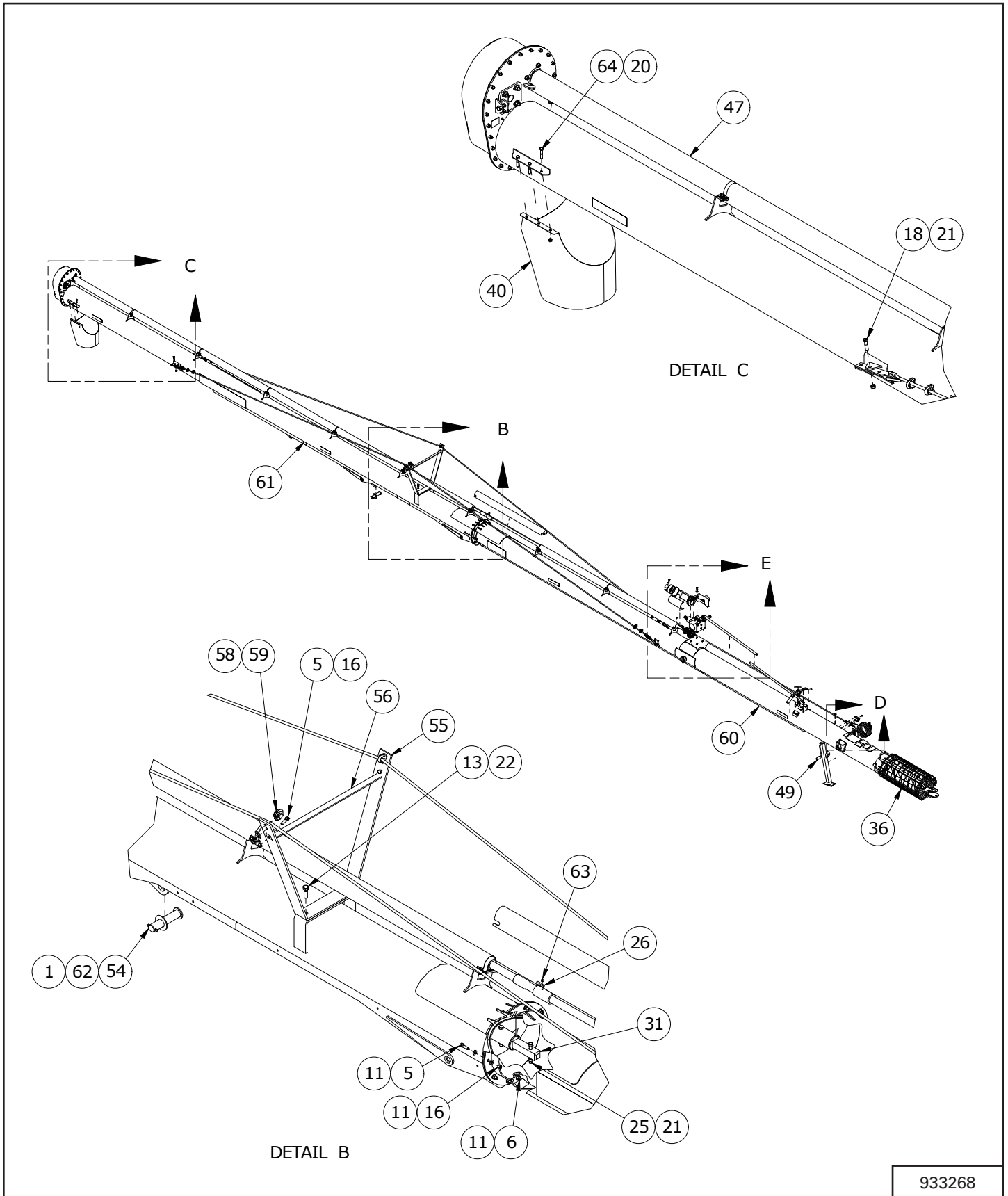


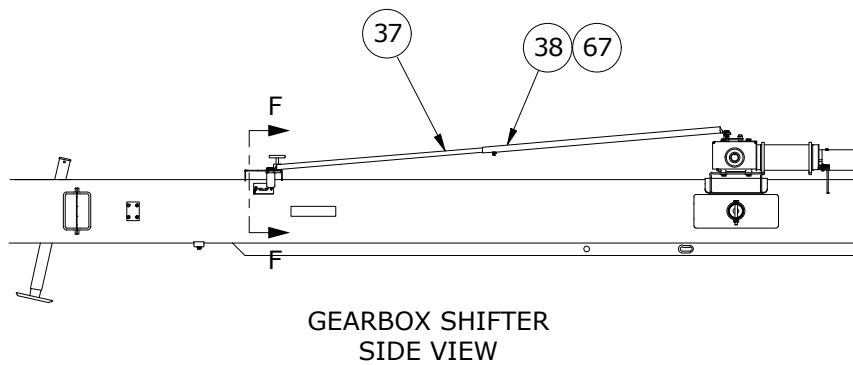
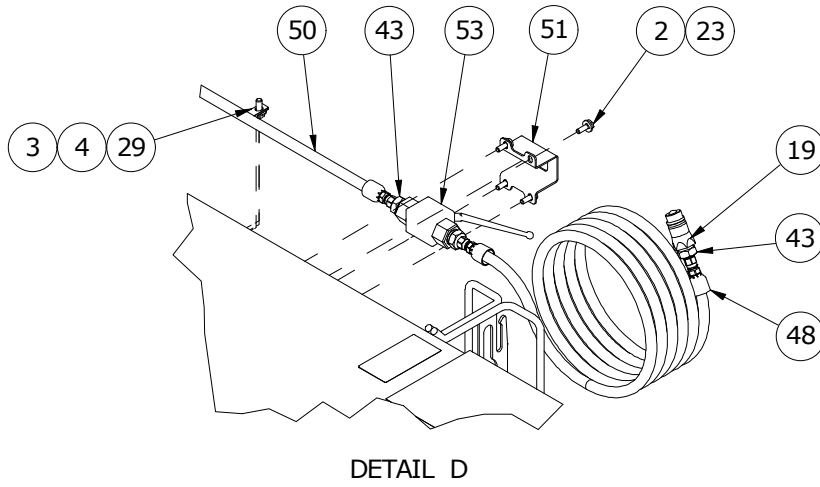
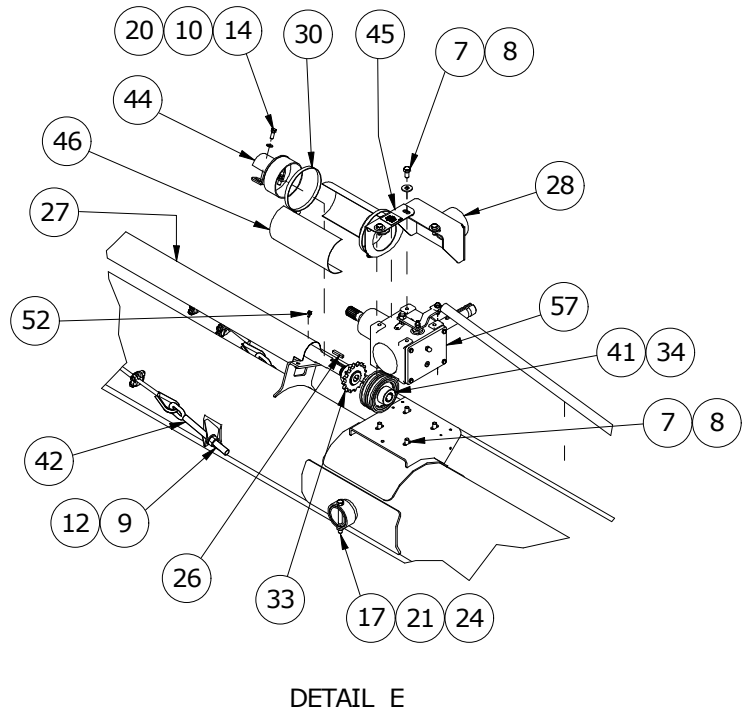
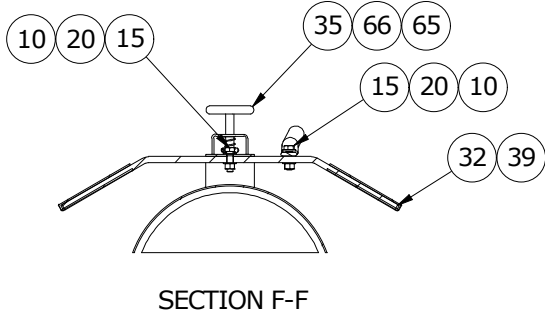
GEARBOX SHIFTER
SIDE VIEW

ITEM	PART NUMBER	DESCRIPTION	QTY.
1	81525	1/4" X 3/4" HEX BOLT (PL)	4
2	81546	5/16" FLAT WASHER (PL)	5
3	81549	5/16" X 3/4" HEX BOLT (PL)	1
4	81599	7/16" X 1 1/2" HEX BOLT (PL)	10
5	81600	7/16" X 1 3/4" HEX BOLT GR5 PL	1
6	81619	1/2" X 1" HEX BOLT (PL)	7
7	81638	WASHER 0.563 FLAT STD HS PL	7
8	84039	WASHER - 3/8" SAE FLAT (PL)	10
9	84041	7/16" SAE FLAT WASHER (PL)	22
10	84522	1" ID SAE FLAT WASHER (PL)	1
11	86170	3/8" X 1" HEX BOLT GR.5 (PL)	2
12	86171	3/8" X 1 1/4" HEX BOLT (PL)	3
13	86273	7/16" LOCK NUT (PL)	11
14	811691	1/2" X 4 1/2" HEX BOLT (PL)	2
15	812026	5/16" X 1" HEX BOLT (PL)	4
16	812208	NIPPLE 1/2" BODY 1/2"-14 NPTF QUICK CONNECT	1
17	812362	5/16" LOCK NUT (PL)	4
18	812363	3/8" LOCK NUT (PL)	11
19	812364	1/2" LOCK NUT (PL)	4
20	812624	1/4" FLAT WASHER PL	4
21	905736	UNDERCARR PIN SLEEVE 3 1/6"ID X 3 1/2"OD X 1 1/2"	2
22	910025	1/2" X 4" GR8 HEX BOLT (PL)	2
23	911394	KEY 5/16"SQ. X 58MM	2
24	912225	DRIVELINE SHIELD	7
25	912774	ASSY-GEARBOX BRKT 10"	1
26	912832	7/16" CABLE CLIP	5
27	913712	CLAMP HOSE-3.13 TO 6.00	2
28	918739	SHAFT-FLTG SQUARE	1
29	930702	BRKT-HANDLE SHIFTER	1
30	930991	WELDT - 16 TOOTH SPROCKET AND HUB	1
31	931596	DOUBLE 60 CHAIN	1
32	933369	T-HANDLE PIN	1
33	933888	ASSY-13" INTAKE GUARD	1
34	JDCW25634	RUBBER GRIP	2
35	F9716	DISCHARGE SPOUT 13" B/S	1
36	934855	WELDT - GEARBOX COUPLER	1
37	935958	ADAPTER-8MPT X -4MJIC	3
38	936622	WELDT- DRIVELINE GUARD	1
39	936624	WELDT - DRIVELINE GUARD	1
40	936625	BRKT - C13 DRIVELINE GUARD	2

ITEM	PART NUMBER	DESCRIPTION	QTY.
41	936626	DRIVELINE SHIELD	1
42	937354	HOSE -4 X -4 FJIC X -4 FJIC	1
43	937579	5000 LB JACK	1
44	937632	HOSE -4 X -4 FJIC X -4 FJIC	1
45	937851	BRKT - VALVE HOLDER	1
46	938093	SCREW SELFTAP-0.250NC X 0.50	1
47	938101	WELDT - SHIFTER LINK OUTER	1
48	938103	TUBE - SHIFTER LINK INNER	1
49	960057	-08 FNPT 2 WAY BALL VALVE	1
50	961086	GEARBOX-4190 SHIFT	1
51	965206	UPPER HITCH PIN WELDT 1.000" DIA	1
52	F2550	ASSY-C1352 EL,E,P BOTTOM TUBE	1
53	F2449	ASSY - C13TOPTUBE	1
54	967141	5/16" X 1/4" SOCKET SET SCREW (BR)	2
55	967291	3/8" X 2" FULL THREAD HEX BOLT (PL)	6
56	9812425	1/4" X 1 1/4" SPRING PIN (PL)	1
57	967436	1/8" X 1 1/4" COTTER PIN (PL)	1
58	973280	SPRING - 0.062"T X 0.310"P X 1.380"L	1
59	985639	3/8" X 1/2" SOCKET SET SCREW (BR)	1

TUBES BELT DRIVE - C1362



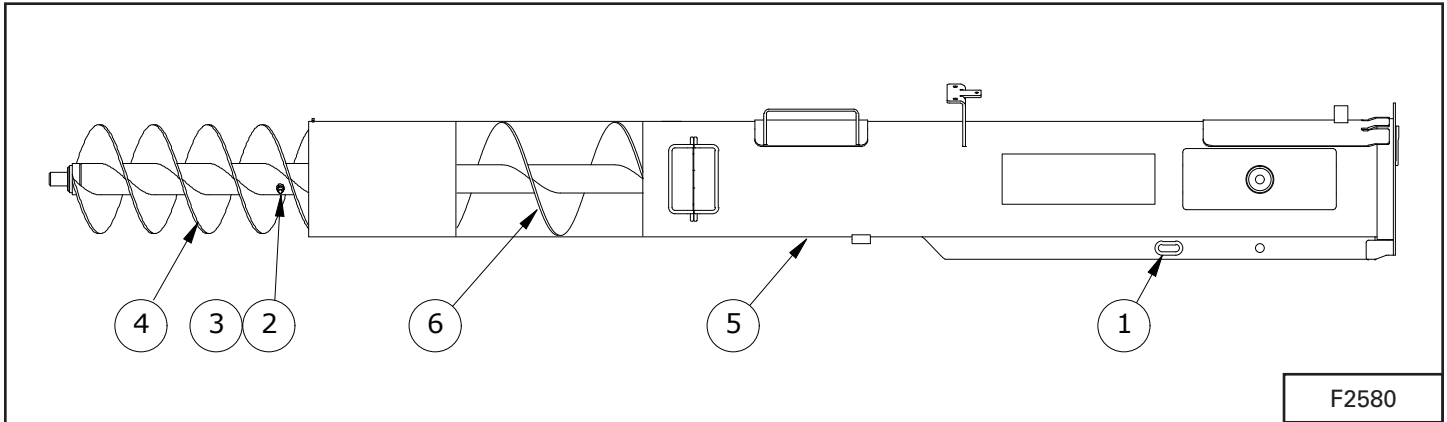


ITEM	PART NUMBER	DESCRIPTION	QTY.
1	81210	1/4" X 2" COTTER PIN (PL)	1
2	81525	1/4" X 3/4" HEX BOLT (PL)	4
3	81546	5/16" FLAT WASHER (PL)	1
4	81549	5/16" X 3/4" HEX BOLT (PL)	1
5	81599	7/16" X 1 1/2" HEX BOLT (PL)	12
6	81600	7/16" X 1 3/4" HEX BOLT GR5 PL	1
7	81619	1/2" X 1" HEX BOLT (PL)	7
8	81638	WASHER 0.563 FLAT STD HS PL	7
9	81700	3/4" HEX NUT (PL)	2
10	84039	WASHER - 3/8" SAE FLAT (PL)	10
11	84041	7/16" SAE FLAT WASHER (PL)	22
12	84050	3/4" S.A.E. FLAT WASHER (PL)	2
13	84299	5/8" X 2" HEX BOLT GR.5 (PL)	2
14	86170	3/8" X 1" HEX BOLT GR.5 (PL)	2
15	86171	3/8" X 1 1/4" HEX BOLT (PL)	3
16	86273	7/16" LOCK NUT (PL)	13
17	811691	1/2" X 4 1/2" HEX BOLT (PL)	2
18	811791	1/2" X 2" HEX BOLT (PL)	2
19	812208	NIPPLE 1/2" BODY 1/2"-14 NPTF QUICK CONNECT	1
20	812363	3/8" LOCK NUT (PL)	11
21	812364	1/2" LOCK NUT (PL)	6
22	812482	5/8" LOCK NUT (PL)	2
23	812624	1/4" FLAT WASHER PL	4
24	905736	UNDERCARR PIN SLEEVE 3 1/6"ID X 3 1/2"OD X 1 1/2"	2
25	910025	1/2" X 4" GR8 HEX BOLT (PL)	2
26	911394	KEY 5/16"SQ. X 58MM	2
27	912225	DRIVELINE SHIELD	8
28	912774	ASSY-GEARBOX BRKT 10"	1
29	912832	7/16" CABLE CLIP	1
30	913712	CLAMP HOSE-3.13 TO 6.00	2
31	918739	SHAFT-FLTG SQUARE	1
32	930702	BRKT-HANDLE SHIFTER	1
33	930991	WELDT - 16TOOTH SPROCKET AND HUB	1
34	931596	DOUBLE 60 CHAIN	1
35	933369	T-HANDLE PIN	1
36	933888	ASSY-13" INTAKE GUARD	1
37	934001	TUBE - SHIFTER LINK INNER	1
38	934003	WELDT - SHIFTER LINK OUTER	1
39	JDCW25634	RUBBER GRIP	2
40	F9716	DISCHARGE SPOUT 13" B/S	1

ITEM	PART NUMBER	DESCRIPTION	QTY.
41	934855	WELDT - GEARBOX COUPLER	1
42	935136	ASSY - CABLE BRIDGING C1362	2
43	935958	ADAPTER-8MPT X -4MJIC	3
44	936622	WELDT- DRIVELINE GUARD	1
45	936624	WELDT - DRIVELINE GUARD	1
46	936625	BRKT - C13 DRIVELINE GUARD	2
47	936626	DRIVELINE SHIELD	1
48	937354	HOSE -4 X -4 FJIC X -4 FJIC	1
49	937579	5000 LB JACK	1
50	937630	HOSE -4 X -4 FJIC X -4 FJIC	1
51	937851	BRKT - VALVE HOLDER	1
52	938093	SCREW SELFTAP-0.250NC X 0.50	1
53	960057	-08 FNPT 2 WAY BALL VALVE	1
54	960629	LIFT ARM CLEV PIN WELDT 1.500" DIA	1
55	960675	LOWER BRIDGING YOKE	1
56	960677	BRIDGING TIE PL	1
57	961086	GEARBOX-4190 SHIFT	1
58	964001	1" X 7/16" X 10GA FLAT WASHER (PL)	4
59	964565	1/2" CABLE CLAMP (PL)	2
60	F2450	ASSY-C1362 EL,E,P BOTTOM TUBE	1
61	F2449	ASSY - C13 TOP TUBE	1
62	967135	1 1/2" RIM WASHER (10GA) (PL)	1
63	967141	5/16" X 1/4" SOCKET SET SCREW (BR)	2
64	967291	3/8" X 2" FULL THREAD HEX BOLT (PL)	6
65	9812425	1/4" X 1 1/4" SPRING PIN (PL)	1
66	973280	SPRING - 0.062"T X 0.310"P X 1.380"L	1
67	985639	3/8" X 1/2" SOCKET SET SCREW (BR)	1

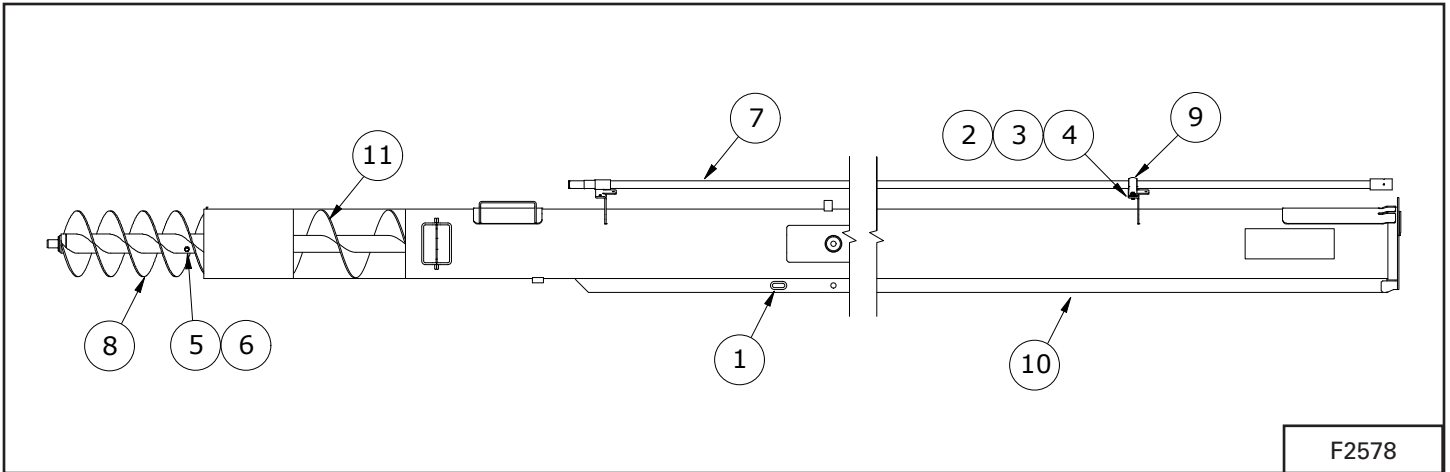
TUBE SECTIONS

Bottom Tube Direct Drive - C1342



ITEM	PART NUMBER	DESCRIPTION	QTY.
1	937419	RUBBER GROMMET	2
2	811691	1/2" X 4 1/2" HEX BOLT (PL)	1
3	812364	1/2" LOCK NUT (PL)	1
4	934436	WELDT - C13 REPLACEABLE FLTG	1
5	936634	WELDT - C1342 DD BOTTOM TUBE	1
6	935106	WELDT - C1342 BTM FLTG	1

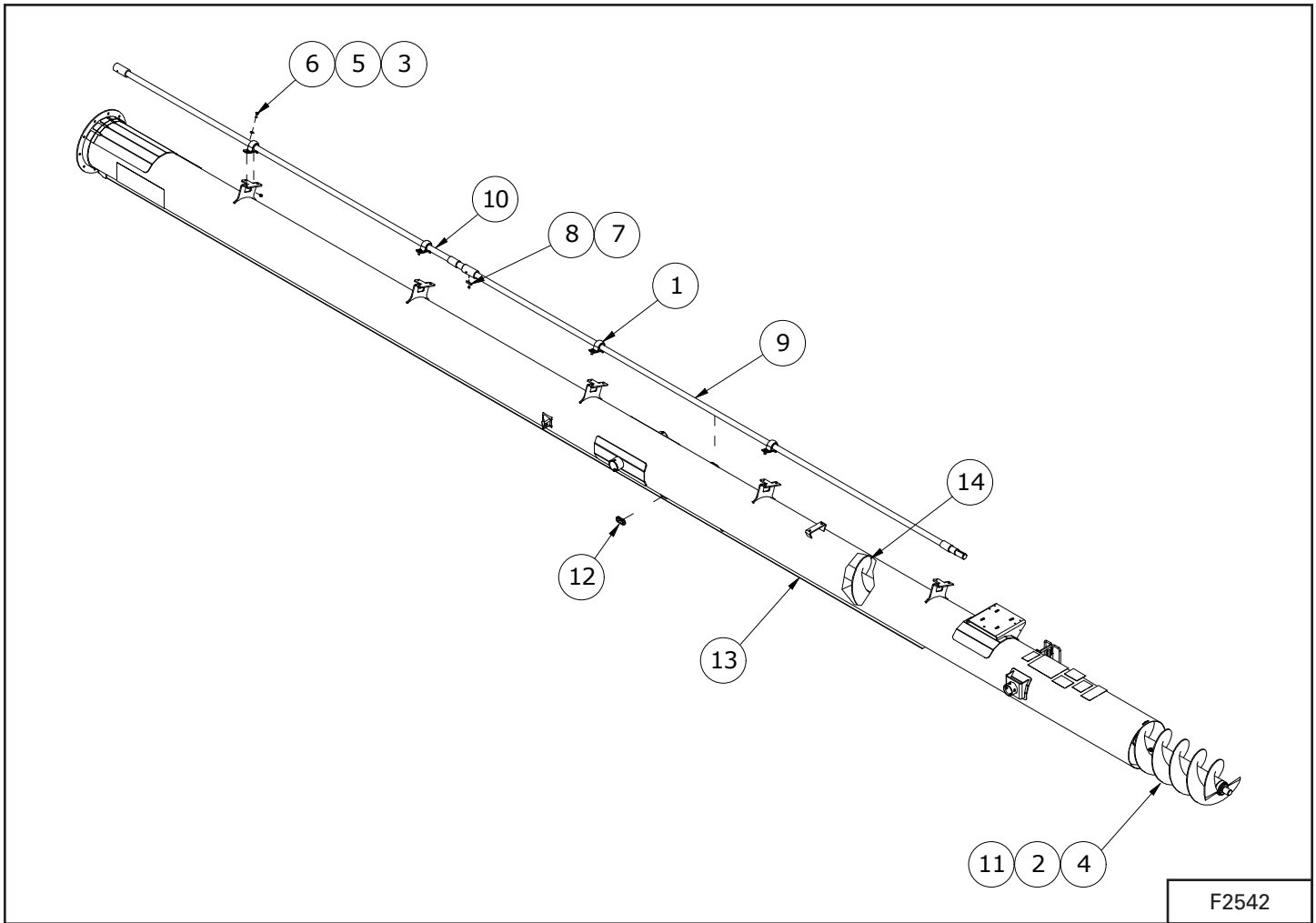
Bottom Tube Direct Drive - C1352



F2578

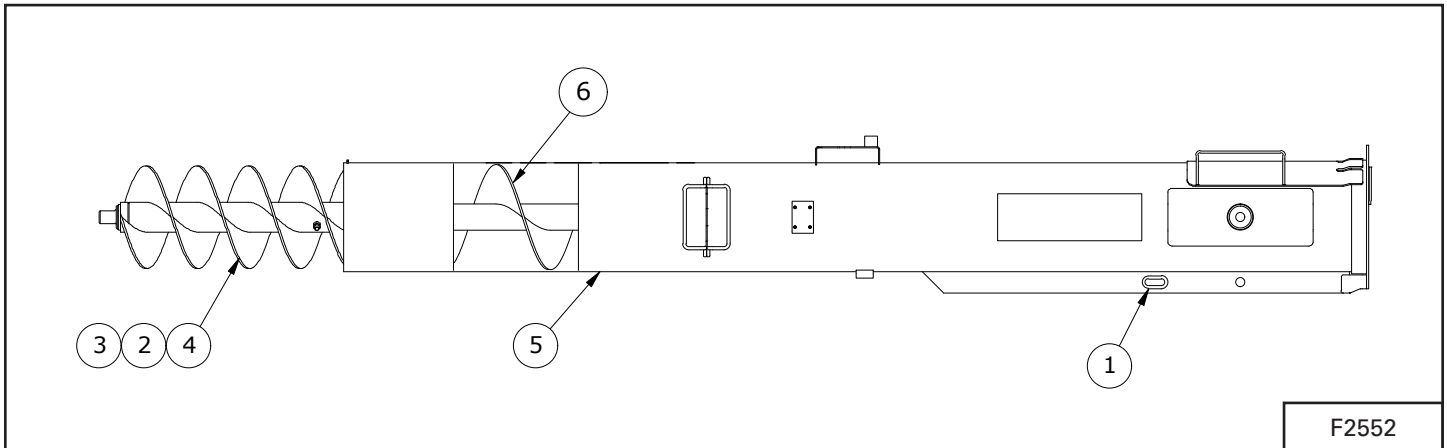
ITEM	PART NUMBER	DESCRIPTION	QTY.
1	937419	RUBBER GROMMET	2
2	81570	WASHER - 3/8" STD FLAT (PL)	4
3	86170	3/8" X 1" HEX BOLT GR.5 (PL)	4
4	812363	3/8" LOCK NUT (PL)	4
5	811691	1/2" X 4 1/2" HEX BOLT (PL)	1
6	812364	1/2" LOCK NUT (PL)	1
7	933887	WELDT - DRIVELINE BTM SECT	1
8	934436	WELDT - C13 REPLACEABLE FLTG	1
9	960789	WOODEN BEARING (01 3/8")	2
10	935953	WELDT - C1352 DD BOTTOM TUBE	1
11	935070	WELDT - C1352 BTM FLTG	1

Bottom Tube Direct Drive - C1362



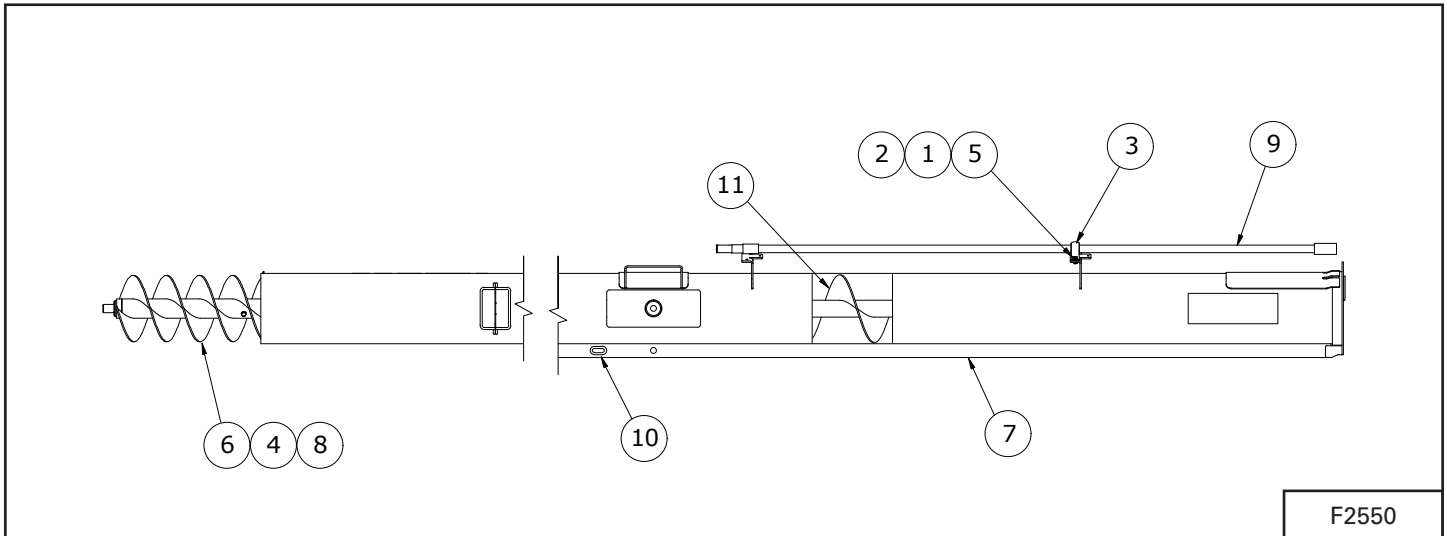
ITEM	PART NUMBER	DESCRIPTION	QTY.
1	960789	WOODEN BEARING (01 3/8")	4
2	811691	1/2" X 4 1/2" HEX BOLT (PL)	1
3	812363	3/8" LOCK NUT (PL)	8
4	812364	1/2" LOCK NUT (PL)	1
5	81570	WASHER - 3/8" STD FLAT (PL)	8
6	86170	3/8" X 1" HEX BOLT GR.5 (PL)	8
7	967141	5/16" X 1/4" SOCKET SET SCREW (BR)	2
8	911394	KEY 5/16"SQ. X 58mm	1
9	933887	WELDT - DRIVELINE BTM SECT	1
10	934428	WELDT - DRIVELINE BTM SECT DD	1
11	934436	WELDT - C13 REPLACEABLE FLTG	1
12	937419	RUBBER GROMMET	2
13	935182	WELDT - C1362 DD BOTTOMTUBE	1
14	933924	WELDT - C1362 BTM FLTG	1

Bottom Tube Belt Drive - C1342



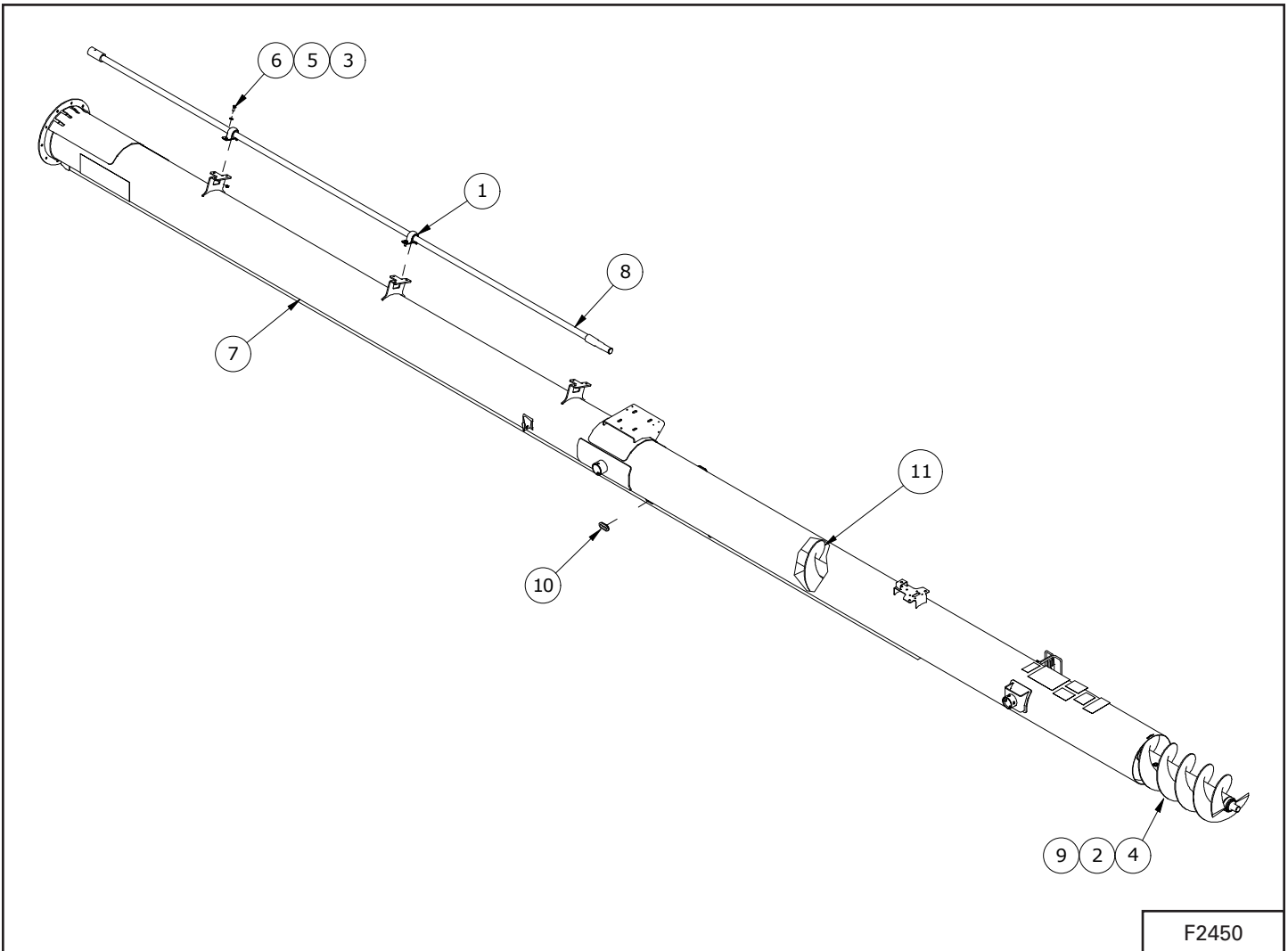
ITEM	PART NUMBER	DESCRIPTION	QTY.
1	937419	RUBBER GROMMET	2
2	811691	1/2" X 4 1/2" HEX BOLT (PL)	1
3	812364	1/2" LOCK NUT (PL)	1
4	934436	WELDT - C13 REPLACEABLE FLTG	1
5	935104	WELDT - C1342 EL,E,P BOTTOMTUBE	1
6	935106	WELDT - C1342 BTM FLTG	1

Bottom Tube Belt Drive - C1352



ITEM	PART NUMBER	DESCRIPTION	QTY.
1	81570	WASHER - 3/8" STD FLAT (PL)	2
2	86170	3/8" X 1" HEX BOLT GR.5 (PL)	2
3	960789	WOODEN BEARING (01 3/8")	1
4	811691	1/2" X 4 1/2" HEX BOLT (PL)	1
5	812363	3/8" LOCK NUT (PL)	2
6	812364	1/2" LOCK NUT (PL)	1
7	935068	WELDT - C1352 EL,E,P BOTTOMTUBE	1
8	934436	WELDT - C13 REPLACEABLE FLTG	1
9	935921	WELDT - DRIVELINE BTM SECT	1
10	937419	RUBBER GROMMET	2
11	935070	WELDT - C1352 BTM FLTG	1

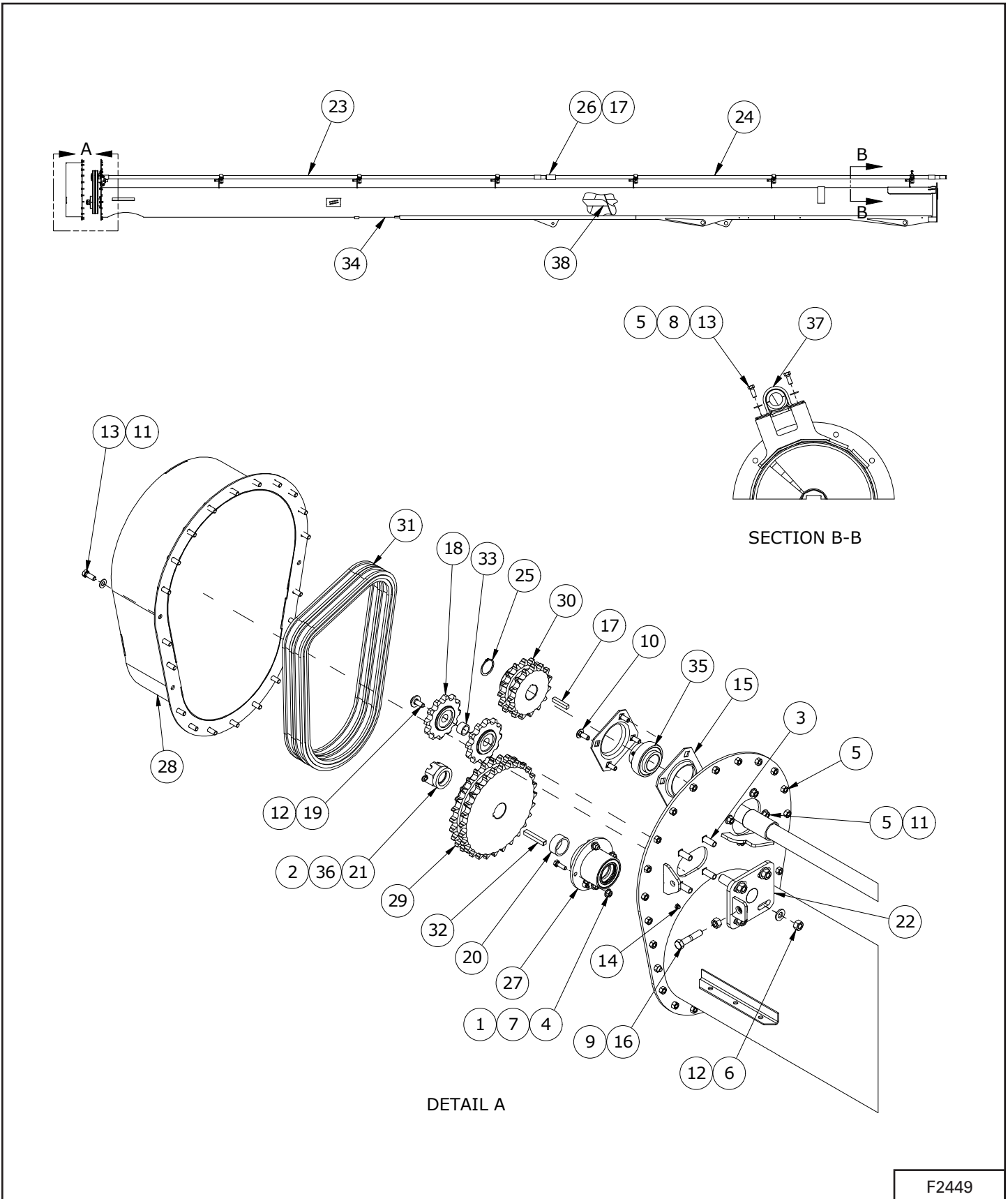
Bottom Tube Belt Drive - C1362



F2450

ITEM	PART NUMBER	DESCRIPTION	QTY.
1	960789	WOODEN BEARING (01 3/8")	2
2	811691	1/2" X 4 1/2" HEX BOLT (PL)	1
3	812363	3/8" LOCK NUT (PL)	4
4	812364	1/2" LOCK NUT (PL)	1
5	81570	WASHER - 3/8" STD FLAT (PL)	4
6	86170	3/8" X 1" HEX BOLT GR.5 (PL)	4
7	934426	WELDT - C1362 EL,E,P BOTTOMTUBE	1
8	933887	WELDT - DRIVELINE BTM SECT	1
9	934436	WELDT - C13 REPLACEABLE FLTG	1
10	937419	RUBBER GROMMET	2
11	933924	WELDT - C1362 BTM FLTG	1

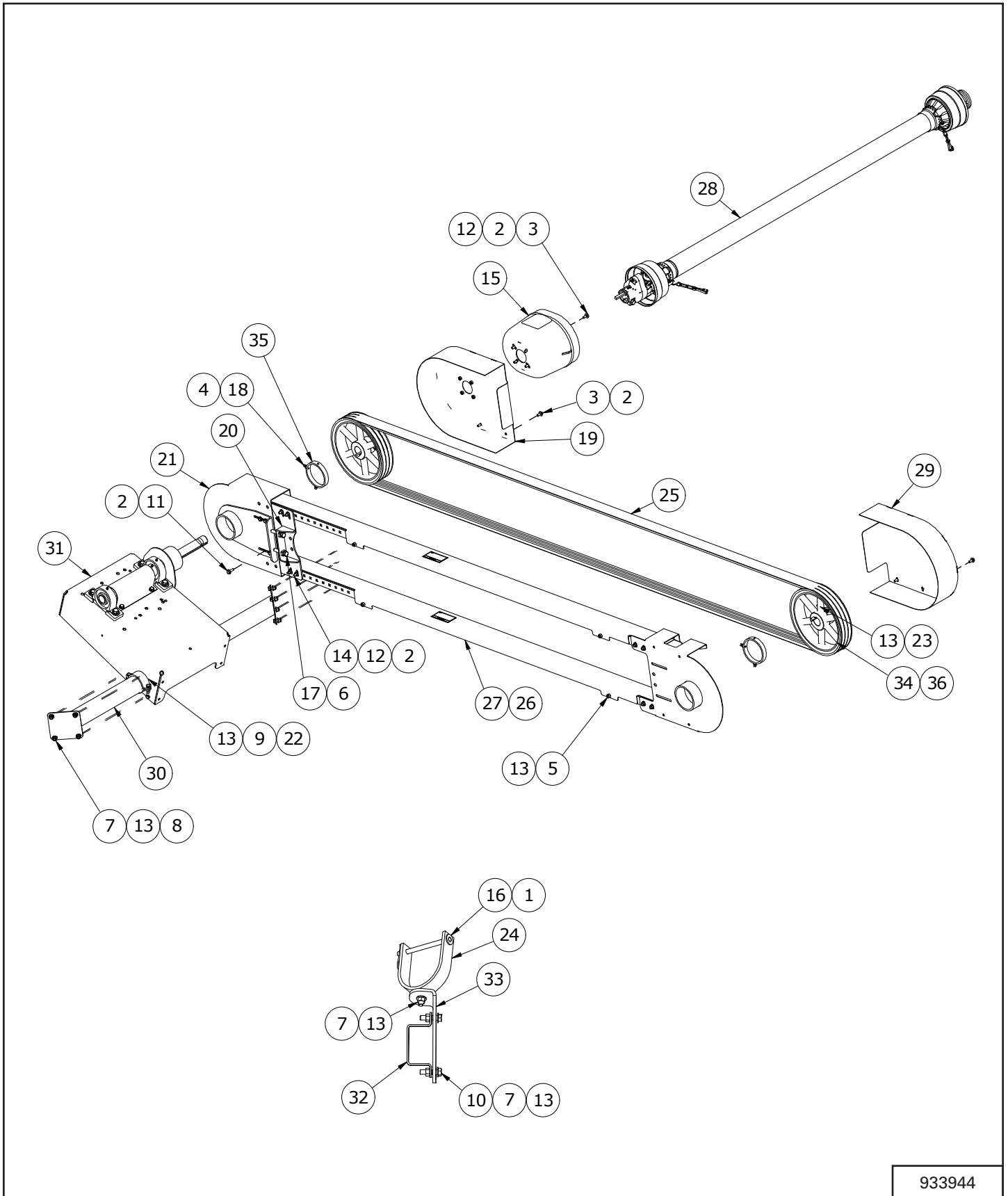
Top Tube - All Units



F2449

ITEM	PART NUMBER	DESCRIPTION	QTY.
1	812026	5/16" X 1" HEX BOLT (PL)	4
2	81210	1/4" X 2" COTTER PIN (PL)	1
3	812217	1/2" X 1 1/2" CARR BOLT (PL)	4
4	812362	5/16" LOCK NUT (PL)	4
5	812363	3/8" LOCK NUT (PL)	40
6	812364	1/2" LOCK NUT (PL)	4
7	81546	5/16" FLAT WASHER (PL)	4
8	81570	WASHER - 3/8" STD FLAT (PL)	12
9	81636	1/2" HEX NUT (PL)	1
10	81914	3/8" X 1" CARRIAGE BOLT (PL)	4
11	84039	WASHER - 3/8" SAE FLAT (PL)	28
12	84048	1/2" SAE FLAT WASHER (PL)	5
13	86170	3/8" X 1" HEX BOLT GR.5 (PL)	36
14	967164	DRIVE-IN GREASE ZERK	1
15	967260	3.15"Ø BEARING FLANGE	2
16	907986	1/2" X 2 1/2" HEX BOLT FULLTHREAD (PL)	1
17	911394	KEY 5/16"SQ. X 58MM	2
18	931505	IDLER SPROCKET 80 CHAIN 12TEETH	2
19	932061	3/8" X 1" UNF HEX BOLT GR.8 (YZ PL)	1
20	933439	TUBE - INNER SPACER	1
21	933441L	PLATE - CHAIN DRIVE SPACER	1
22	933467	WELDT - CHAIN TENSIONER	1
23	933522	WELDT - DRIVELINE TOP SECT	1
24	933887	WELDT - DRIVELINE BTM SECT	1
25	934856	EXTERNAL RETAINING RING 1-7/16"	1
26	967141	5/16" X 1/4" SOCKET SET SCREW (BR)	2
27	935032	ASSY - TOP DRIVE BEARINGS	1
28	935690	WELDT - C13TOP DRIVE COVER	1
29	935820	HD80B28 DOUBLE SPROCKET	1
30	935821	HD80B15 DOUBLE SPROCKET	1
31	935823	DOUBLE #80 ROLLER CHAIN	1
32	935827	3/8" X 3/8" X 2 1/2" KEY	1
33	935985	TUBE - IDLER SPACER	1
34	933269	WELDT-C13TOP TUBE	1
35	939131	1 1/2" BRG W/ SET SCREW LOCK	1
36	960037	SLOTTED HEX NUT 1 1/4" UNF	1
37	960789	WOODEN BEARING (Ø1 3/8")	6
38	933270	WELDT- C13TOP FLTG	1

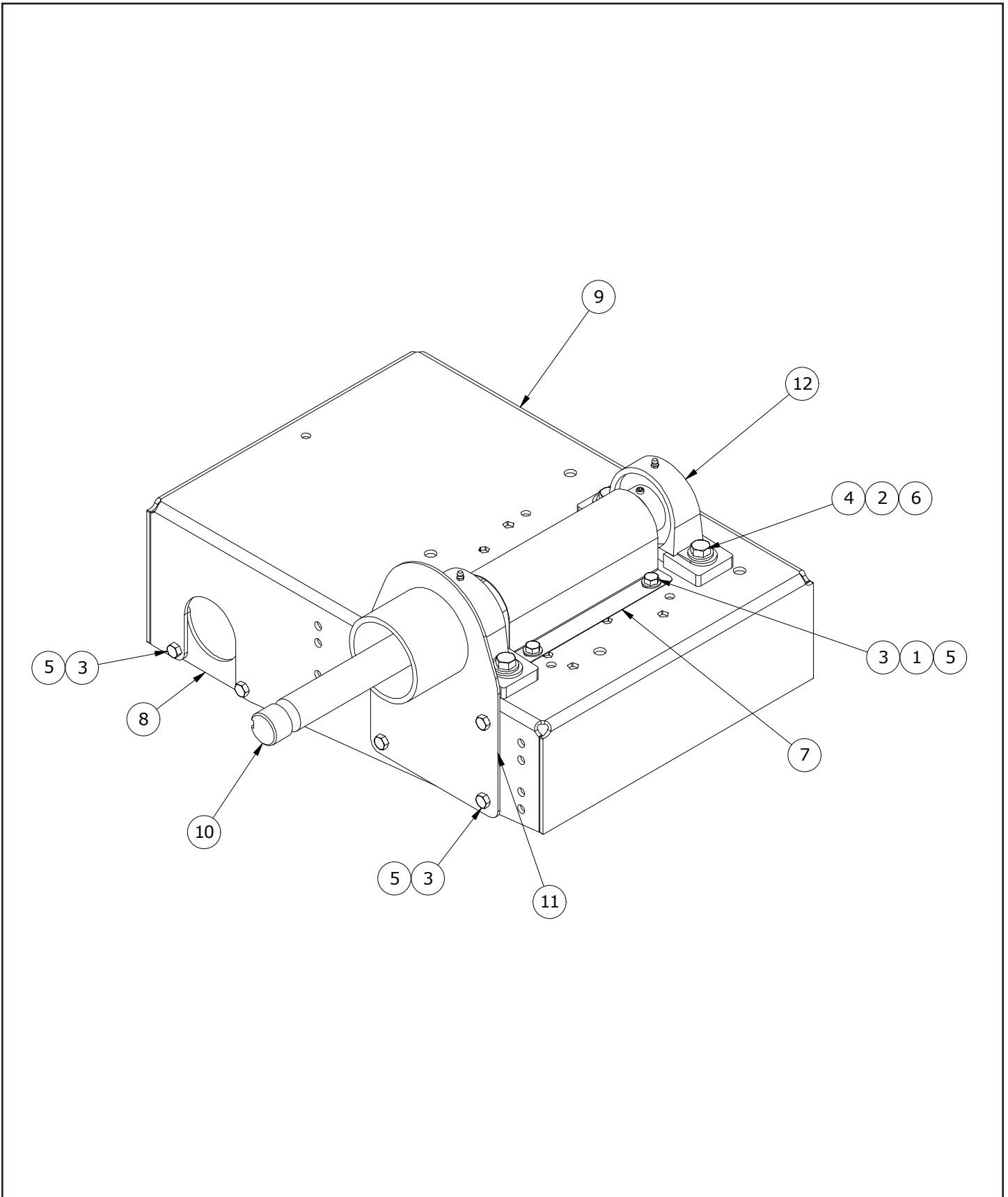
PTO BELT DRIVE - C1342



933944

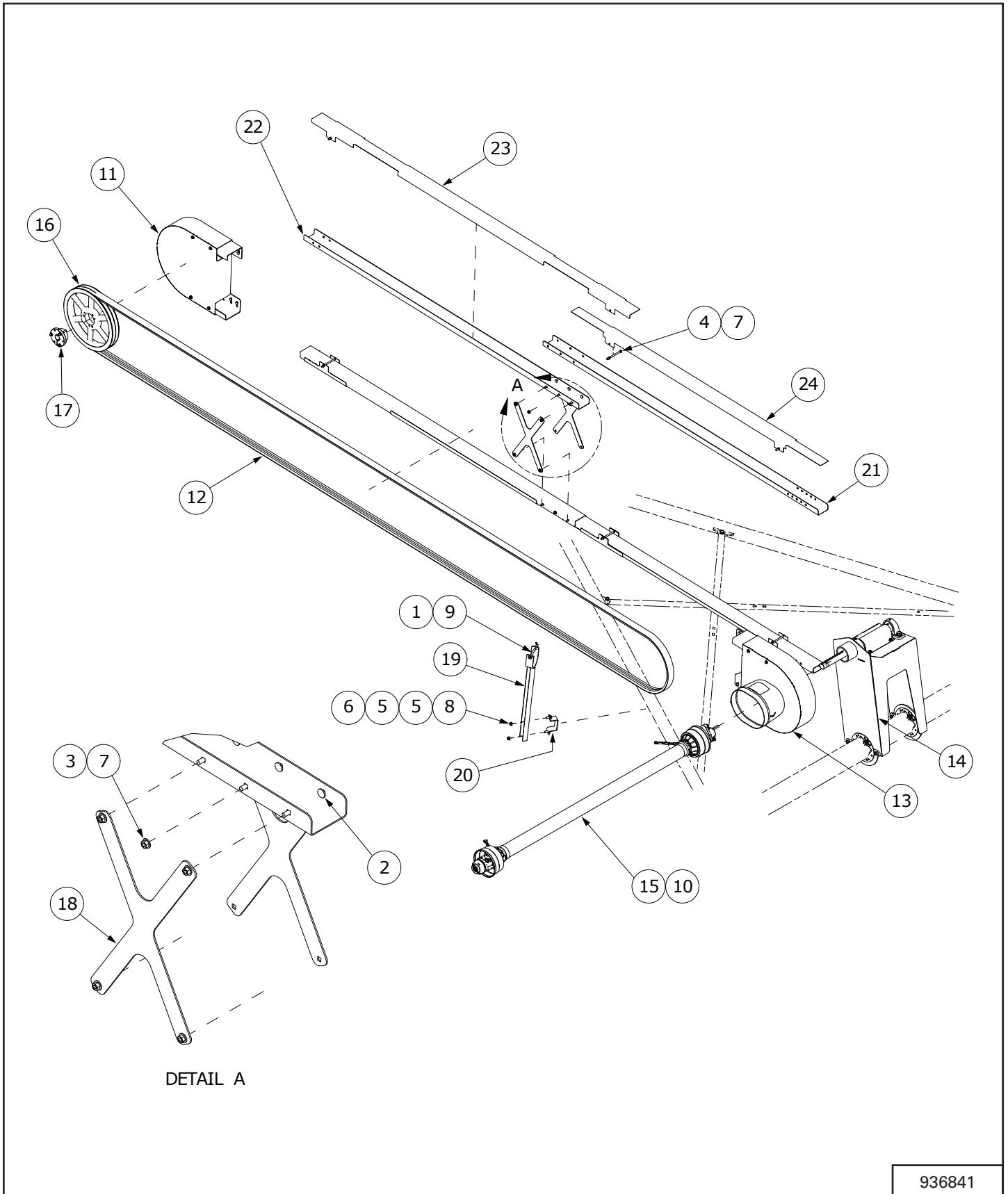
ITEM	PART NUMBER	DESCRIPTION	QTY.
1	12780	#7 HAIR PIN CLIP	1
2	81546	5/16" FLAT WASHER (PL)	16
3	81549	5/16" X 3/4" HEX BOLT (PL)	8
4	81568	5/16" HEX NUT (PL)	4
5	81587	3/8" X 4" HEX BOLT (PL)	4
6	81636	1/2" HEX NUT (PL)	2
7	84039	WASHER - 3/8" SAE FLAT (PL)	20
8	86170	3/8" X 1" HEX BOLT GR.5 (PL)	8
9	86171	3/8" X 1 1/4" HEX BOLT (PL)	4
10	811792	3/8" X 1 1/2" HEX BOLT GR.5 (PL)	2
11	812026	5/16" X 1" HEX BOLT (PL)	4
12	812362	5/16" LOCK NUT (PL)	8
13	812363	3/8" LOCK NUT (PL)	23
14	812626	BOLT CARR 0.313NC X 1.00GR5PL	4
15	819071	SHIELD - ROTARY CUTTER PTO	1
16	904445	PTO HOLDER PIN WELDT	1
17	907986	1/2" X 2 1/2" HEX BOLT FULL THREAD (PL)	2
18	9812377	5/16" X 3/4" SQ HEAD SET SCR (PL)	4
19	913617	WELDT-BELT GUARD COVER	1
20	913621	WELDT-BELT GUARD	1
21	913769	WELDT-CA MOVER BELT GUARD	1
22	915251	BRKT-ENGINE MOUNT STOP	4
23	967464	3/8" X 1 1/4" SQ HD SET SCREW (BR)	4
24	916245	WELDT-PTO HOLDER	1
25	919626	BELT-3B255 HI-POWER II	1
26	927357	GUARD-LOWER TRAY	2
27	927358	GUARD-TRAY COVER	2
28	937063	ASSY-PTO SHAFT 10"	1
29	931942	ASSY-BELT GUARDTOP	1
30	936955	WELDT-C13 U/C CROSS BRACE	1
31	936967	ASSY-C1342 PTO BELT DRIVE	1
32	937888	BRKT - UNDERCARRIAGE CLAMP	1
33	938173	BRKT-C13 PTO BELT CLAMP	1
34	961187	12" TRIPLE SHEAVE W/ 1 1/2" BORE	2
35	961383	GUARD HOLDER RING 4 1/2"OD	2
36	967044	3/8" X 3/8" X 3 3/8" PULLEY KEY	2

PTO Belt Drive - Mount - C1342



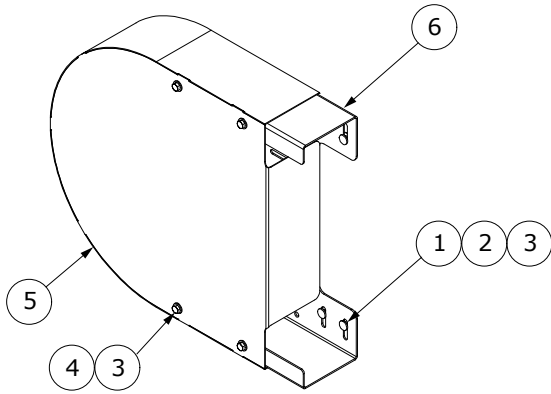
ITEM	PART NUMBER	DESCRIPTION	QTY.
1	84039	WASHER - 3/8" SAE FLAT (PL)	4
2	84048	1/2" SAE FLAT WASHER (PL)	4
3	86170	3/8" X 1" HEX BOLT GR.5 (PL)	12
4	811791	1/2" X 2" HEX BOLT (PL)	4
5	812363	3/8" LOCK NUT (PL)	12
6	812364	1/2" LOCK NUT (PL)	4
7	913634	PTO KIT SHIELD	1
8	915245L	PLATE-ENGINE MOUNT PIVOT	2
9	930734	BRKT-ENGINE MOUNT	1
10	936862	PTO ARBOR SHFT 1.5 C13	1
11	936970	WELDT-C13 PTO BELT PIVOT	1
12	968616	1 1/2" PILLOW BLOCK BEARING P208-108	2

PTO BELT DRIVE - C1352, C1362

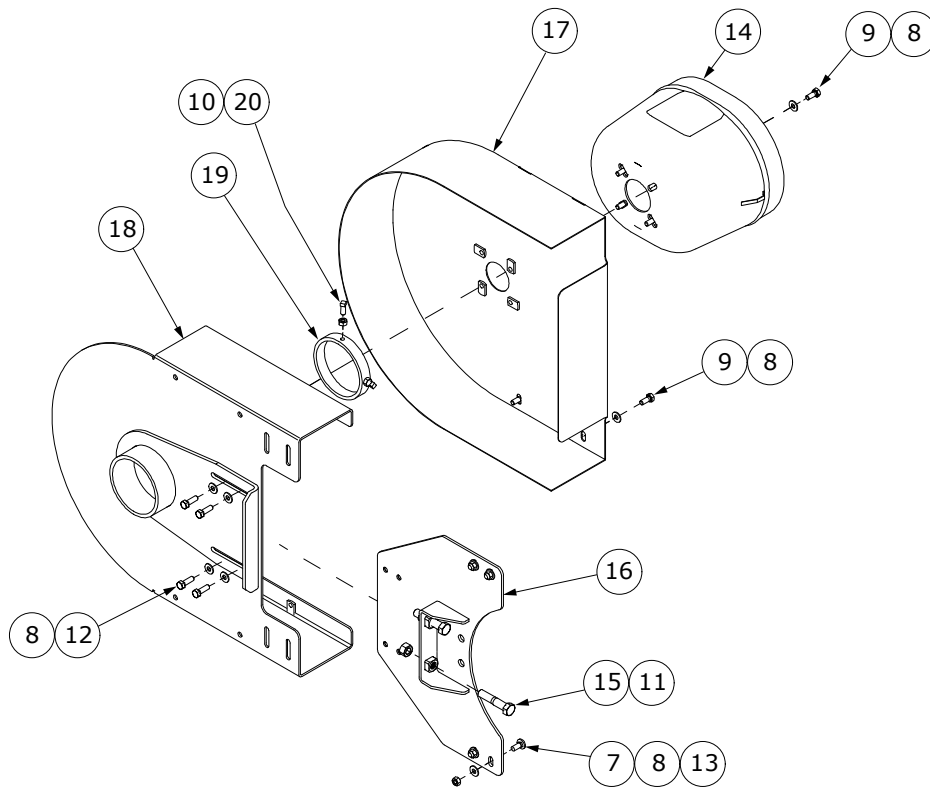


ITEM	PART NUMBER	DESCRIPTION	QTY.
1	12780	#7 HAIR PIN CLIP	1
2	81185	5/16" X 3/4" CARRIAGE BOLT (PL)	12
3	81546	5/16" FLAT WASHER (PL)	12
4	81564	5/16" X 4.5" HEX BOLT (PL)	6
5	84039	WASHER - 3/8" SAE FLAT (PL)	4
6	86170	3/8" X 1" HEX BOLT GR.5 (PL)	2
7	812362	5/16" LOCK NUT (PL)	18
8	812363	3/8" LOCK NUT (PL)	2
9	904445	PTO HOLDER PIN WELDT	1
10	911161	KEY 3/8"SQ. X 58MM	2
11	935847	ASSY - BELT GUARDTOP	1
12	936851	2C-420 V-BELT	1
13	936860	ASSY - BELT GUARD BTM	1
14	936979	ASSY-PTO DRIVE MOUNT	1
15	937063	ASSY-PTO SHAFT 1000 RPM	1
16	937100	2C 16" OD SHEAVE	2
17	937110	SF X 1-1/2" QD BUSHING	2
18	937334L	PLATE - BELT TRAY SUPPORT	2
19	937886	WELDT - PTO HNGR WELDT	1
20	937888	BRKT - UNDERCARRIAGE CLAMP	1
21	938274	GUARD-LOWER TRAY	2
22	938275	GUARD-LOWER TRAY	2
23	938493	GUARD-TRAY COVER	2
24	938494	GUARD-TRAY COVER	2

PTO Belt Drive - Guards - C1352, C1362



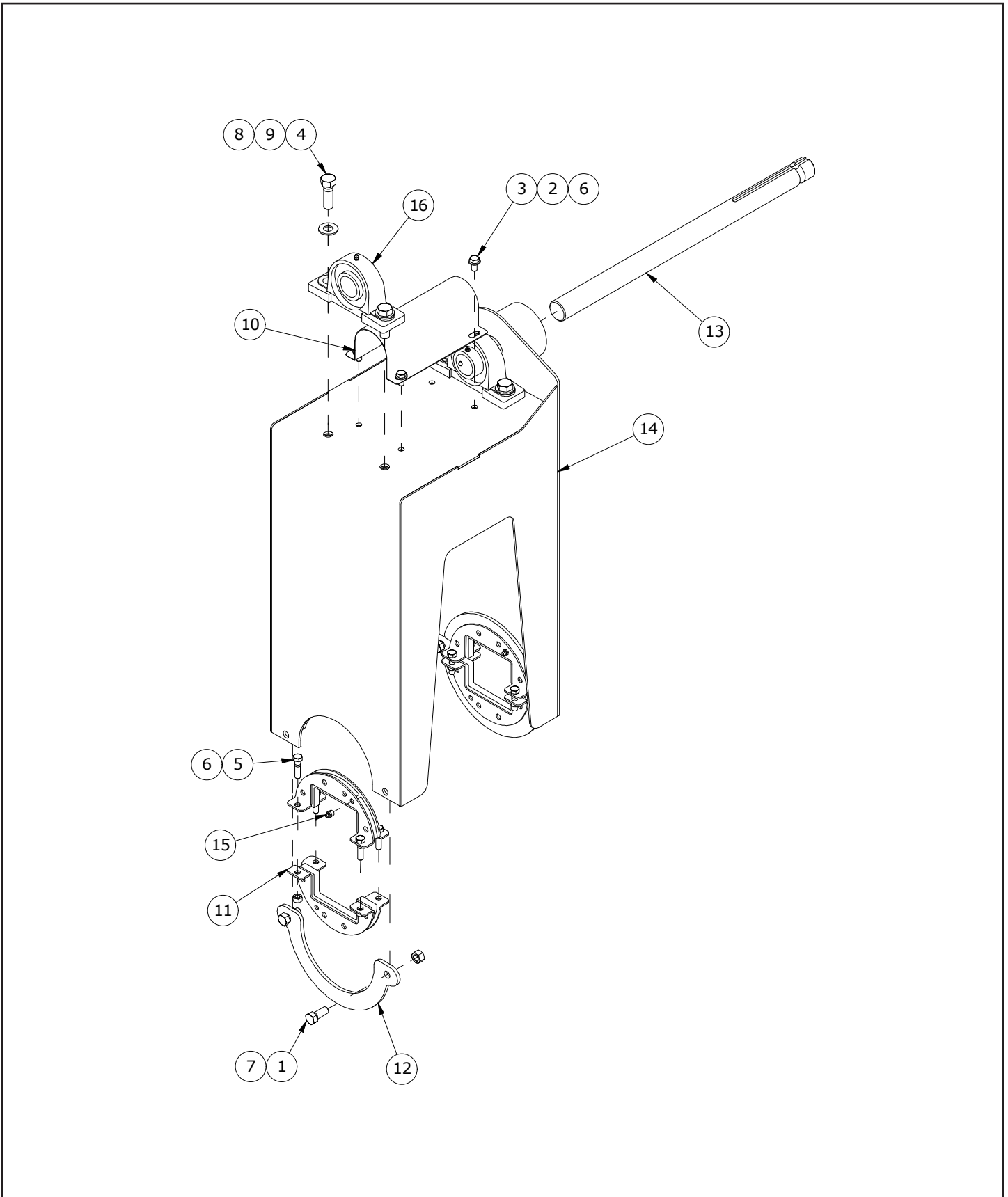
TOP BELT GUARD



BOTTOM BELT GUARD

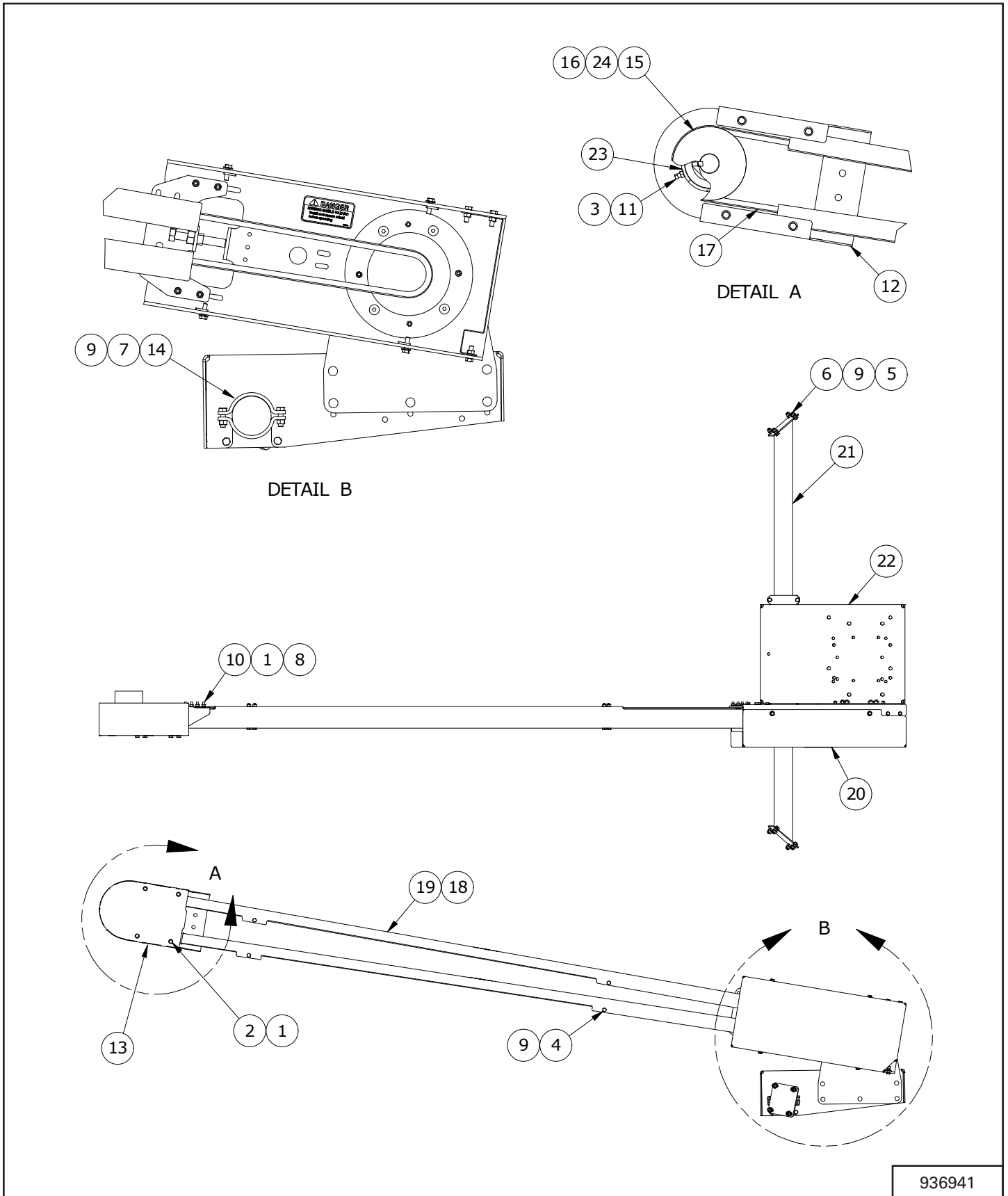
ITEM	PART NUMBER	DESCRIPTION	QTY.
1	81185	5/16" X 3/4" CARRIAGE BOLT (PL)	4
2	812362	5/16" LOCK NUT (PL)	4
3	81546	5/16" FLAT WASHER (PL)	8
4	81549	5/16" X 3/4" HEX BOLT (PL)	4
5	935846	WELDT-BELT GUARD COVER	1
6	935845	WELDT- BELT GUARD	1
7	81185	5/16" X 3/4" CARRIAGE BOLT (PL)	4
8	81546	5/16" FLAT WASHER (PL)	16
9	81549	5/16" X 3/4" HEX BOLT (PL)	8
10	81568	5/16" HEX NUT (PL)	2
11	81636	1/2" HEX NUT (PL)	2
12	812026	5/16" X 1" HEX BOLT (PL)	4
13	812362	5/16" LOCK NUT (PL)	4
14	819071	SHIELD - ROTARY CUTTER PTO	1
15	907986	1/2" X 2 1/2" HEX BOLT FULL THREAD (PL)	2
16	936857	WELDT-BELT GUARD	1
17	936859	WELDT - BELT GUARD COVER	1
18	937855	WELDT- BELT GUARD	1
19	961383	GUARD HOLDER RING 4 1/2"OD	1
20	9812377	5/16" X 3/4" SQ HEAD SET SCR (PL)	2

PTO Belt Drive - Mount - C1352, C1362



ITEM	PART NUMBER	DESCRIPTION	QTY.
1	81620	1/2" X 1 1/4" HEX BOLT PL	4
2	84039	WASHER - 3/8" SAE FLAT (PL)	4
3	84072	3/8" X 3/4" HEX BOLT (PL)	4
4	84299	5/8" X 2" HEX BOLT GR.5 (PL)	4
5	811792	3/8" X 1 1/2" HEX BOLT GR.5 (PL)	8
6	812363	3/8" LOCK NUT (PL)	12
7	812364	1/2" LOCK NUT (PL)	4
8	812482	5/8" LOCK NUT (PL)	4
9	812639	WASHER 0.625 SAE FLAT BS PL	8
10	913634	PTO KIT SHIELD	1
11	935698	WELDT - MOTOR MOUNT GUIDE	4
12	935878L	PLATE - MOTOR MOUNT GUIDE	2
13	936862	PTO ARBOR SHFT 1.5 C13	1
14	936975	WELDT-PTO DRIVE MOUNT	1
15	967164	DRIVE-IN GREASE ZERK	2
16	968616	1 1/2" PILLOW BLOCK BEARING P208-108	2

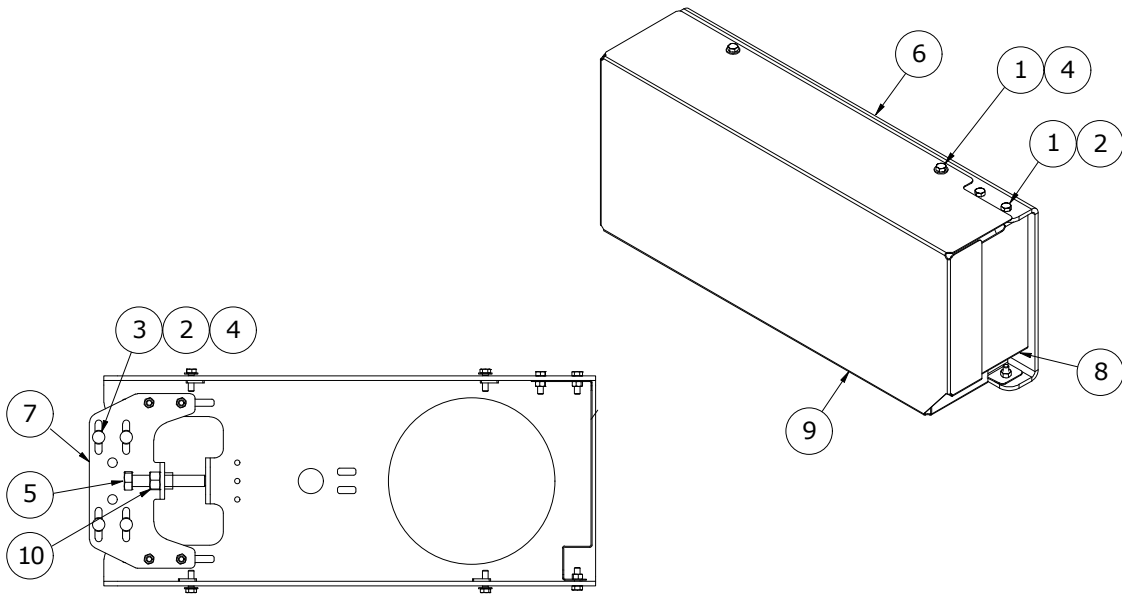
ELECTRIC MOTOR DRIVE - C1342



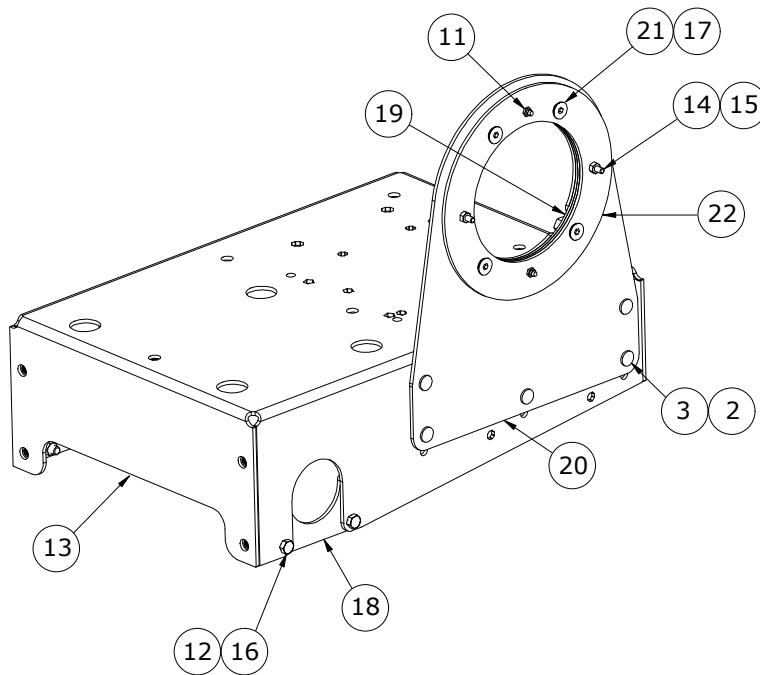
936941

ITEM	PART NUMBER	DESCRIPTION	QTY.
1	81546	5/16" FLAT WASHER (PL)	8
2	81549	5/16" X 3/4" HEX BOLT (PL)	4
3	81568	5/16" HEX NUT (PL)	2
4	81587	3/8" X 4" HEX BOLT (PL)	4
5	84039	WASHER - 3/8" SAE FLAT (PL)	16
6	86170	3/8" X 1" HEX BOLT GR.5 (PL)	8
7	86171	3/8" X 1 1/4" HEX BOLT (PL)	4
8	812362	5/16" LOCK NUT (PL)	4
9	812363	3/8" LOCK NUT (PL)	16
10	812626	BOLT CARR 0.313NC X 1.00GR5PL	4
11	9812377	5/16" X 3/4" SQ HEAD SET SCR (PL)	2
12	913608	WELDT-CA MOVER BELT GUARD	1
13	913609	ASSY-BELT GUARD COVER	1
14	915251	BRKT-ENGINE MOUNT STOP	4
15	915736	6" TRIPLE SHEAVE	1
16	985639	03/8" X 1/2" SOCKET SET SCREW (BR)	2
17	919626	BELT-3B255 HI-POWER II	1
18	927357	GUARD-LOWER TRAY	2
19	927358	GUARD-TRAY COVER	2
20	931941	ASSY-BELT PIVOT	1
21	936953	WELDT-C1342 U/C CROSS BRACE	1
22	931586	ASSY-C1342 ENGINE MOUNT	1
23	961383	GUARD HOLDER RING 4 1/2"OD	1
24	967044	3/8" X 3/8" X 3 3/8" PULLEY KEY	1

Electric Motor Drive - Guards, Mount - C1342



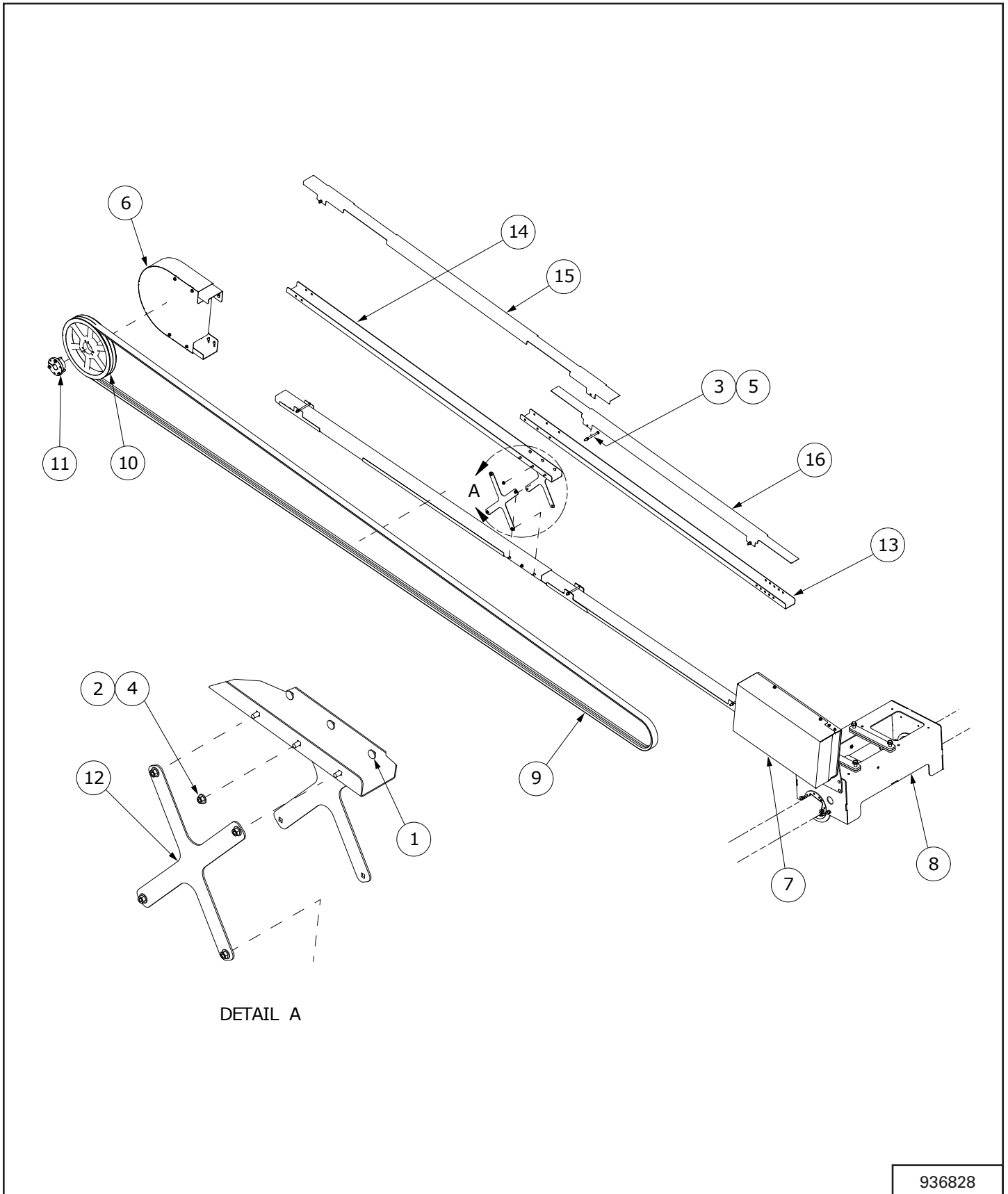
BELT PIVOT COVER
931941



ELECTRIC MOTOR MOUNT
931586

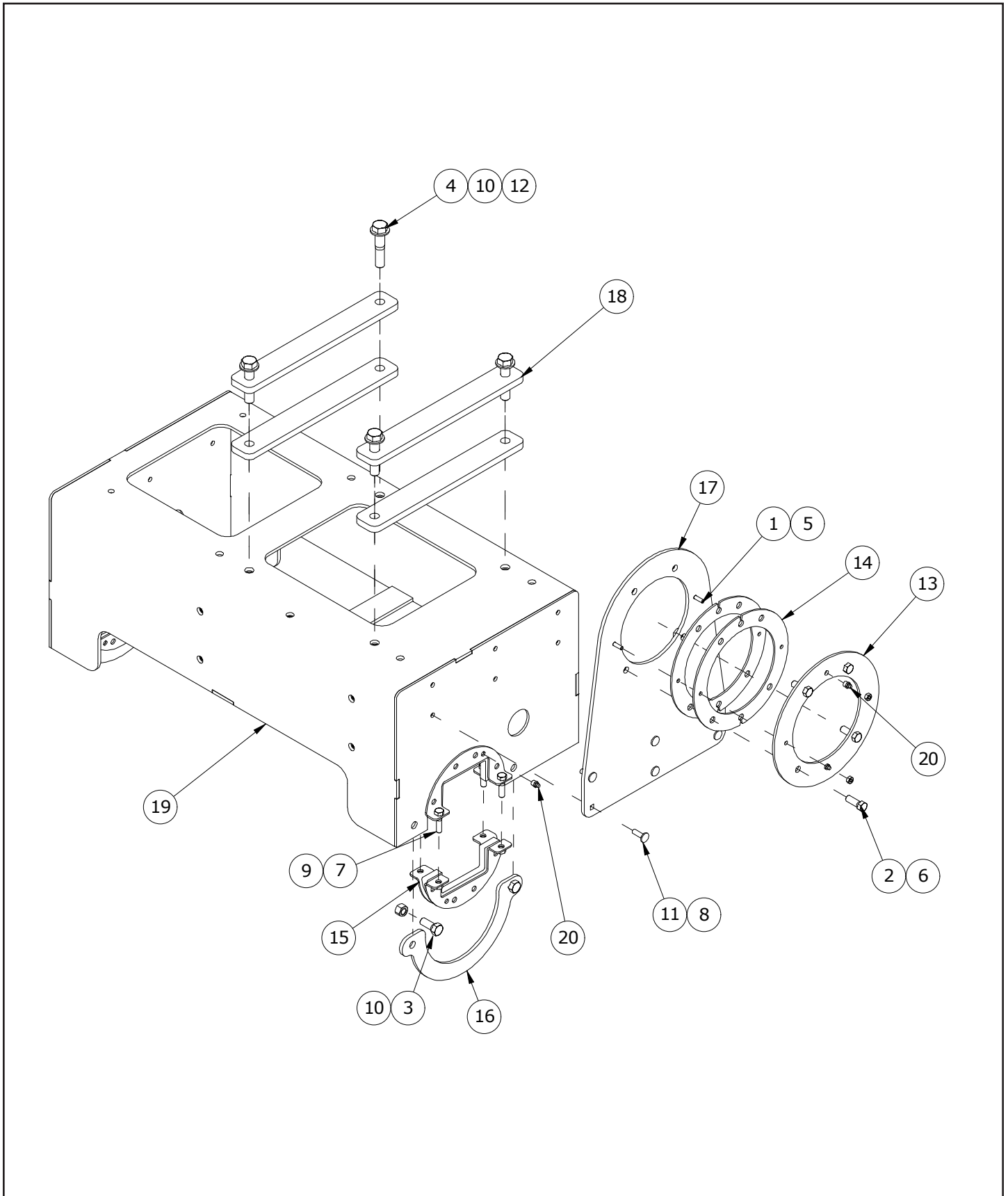
ITEM	PART NUMBER	DESCRIPTION	QTY.
1	812026	5/16" X 1" HEX BOLT (PL)	11
2	812362	5/16" LOCK NUT (PL)	16
3	812626	BOLT CARR 0.313NC X 1.00GR5PL	9
4	81546	5/16" FLAT WASHER (PL)	12
5	927733	5/8" X 4" GR5 HEX BOLT (PL) FULL THREAD	1
6	929050	WELDT-GUARD MOUNT	1
7	929759	WELDT-GUARD CONNECTOR	1
8	934287	BRKT - BELT GUARD END	1
9	934288	BRKT - BELT GUARD	1
10	984241	5/8" NC HEX NUT (BR)	1
11	967164	DRIVE-IN GREASE ZERK	2
12	812363	3/8" LOCK NUT (PL)	4
13	939213	WELDT - ENGINE MOUNT	1
14	81528	1/4" X 1 1/4" HEX BOLT (PL)	2
15	84498	1/4" LOCK NUT (PL)	2
16	86170	3/8" X 1" HEX BOLT GR.5 (PL)	4
17	86273	7/16" LOCK NUT (PL)	4
18	915245L	PLATE-ENGINE MOUNT PIVOT	2
19	924189L	PLATE-CA MOVER ENGINE PIVOT	2
20	930733L	PLATE-MOVER BELT PIVOT	1
21	937730	7/16-14 UNC x 1.25 FLAT HEAD CAP SCREW	4
22	937731	PLATE-C13 MOVER ENGINE PIVOT	1

ELECTRIC MOTOR DRIVE - C1352, C1362



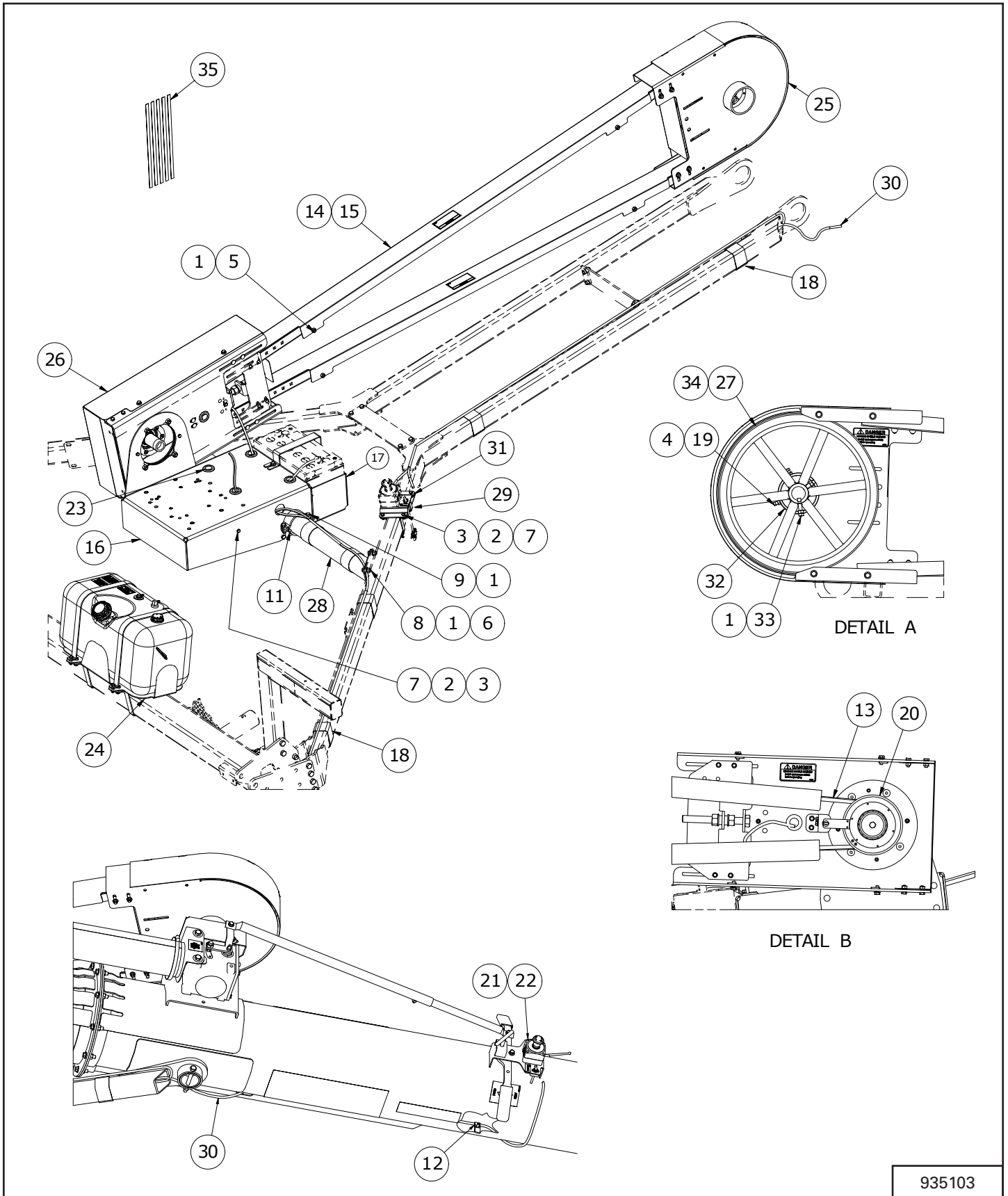
ITEM	PART NUMBER	DESCRIPTION	QTY.
1	81185	5/16" X 3/4" CARRIAGE BOLT (PL)	12
2	81546	5/16" FLAT WASHER (PL)	12
3	81588	3/8" X 4 1/2" HEX BOLT (PL)	6
4	812362	5/16" LOCK NUT (PL)	12
5	812363	3/8" LOCK NUT (PL)	6
6	935847	ASSY - BELT GUARDTOP	1
7	935857	ASSY - BELT PIVOT	1
8	936829	ASSY - ELECTRIC MOTOR MOUNT	1
9	936851	2C-420 V-BELT	1
10	937100	2C 16" QD SHEAVE	1
11	937110	SF X 1-1/2" QD BUSHING	1
12	937335L	PLATE - BELT TRAY SUPPORT	2
13	938274	GUARD-LOWER TRAY	2
14	938275	GUARD-LOWER TRAY	2
15	938493	GUARD-TRAY COVER	2
16	938494	GUARD-TRAY COVER	2

Electric Motor Drive - Mount - C1352, C1362



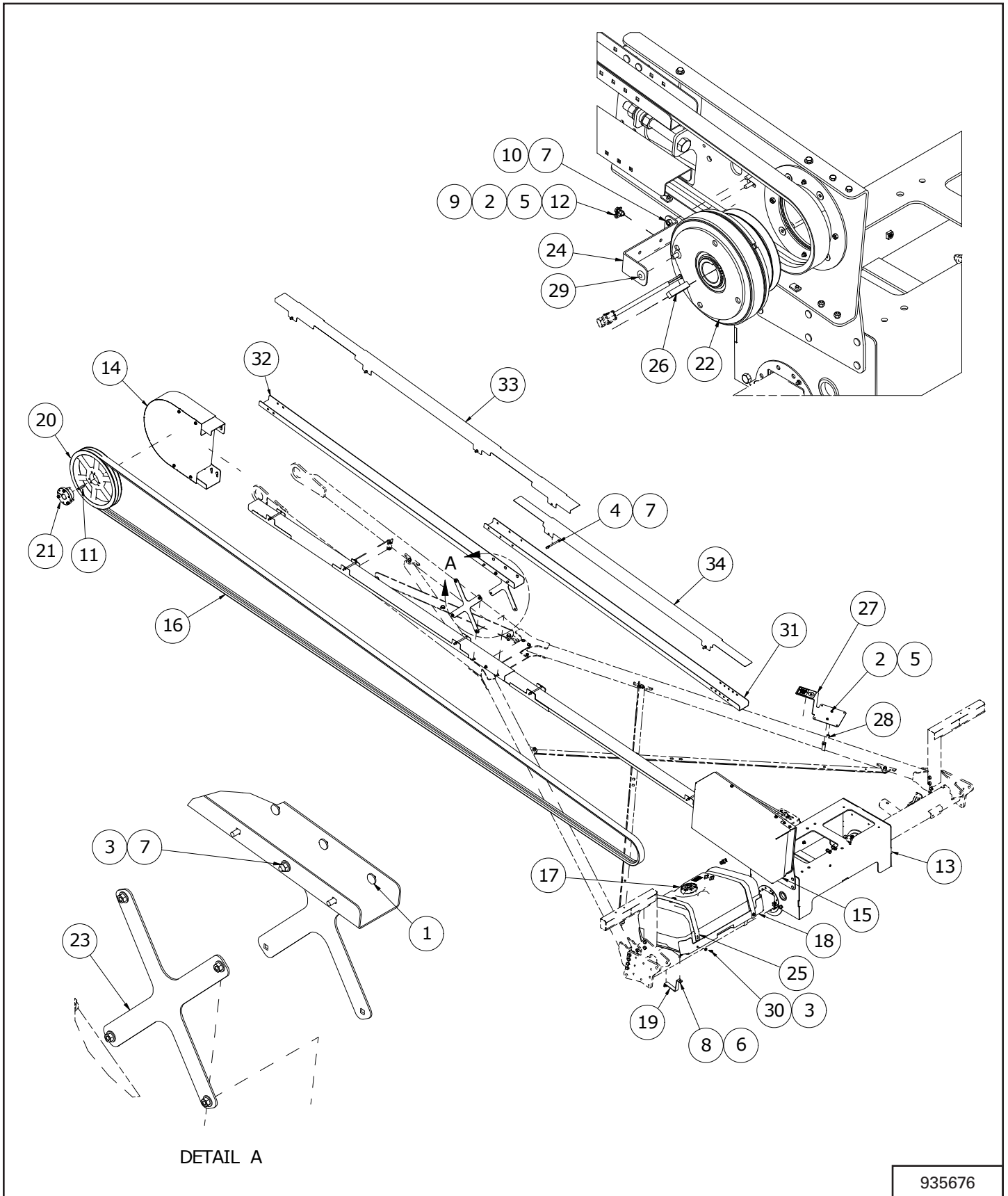
ITEM	PART NUMBER	DESCRIPTION	QTY.
1	81527	1/4" X 1" HEX BOLT (PL)	2
2	81598	7/16" X 1 1/4" HEX BOLT (PL)	4
3	81620	1/2" X 1 1/4" HEX BOLT PL	4
4	84289	5/8" X 3" HEX BOLT GR.5 (PL)	4
5	84498	1/4" LOCK NUT (PL)	2
6	86273	7/16" LOCK NUT (PL)	4
7	811792	3/8" X 1 1/2" HEX BOLT GR.5 (PL)	8
8	812362	5/16" LOCK NUT (PL)	6
9	812363	3/8" LOCK NUT (PL)	8
10	812364	1/2" LOCK NUT (PL)	8
11	812626	BOLT CARR 0.313NC X 1.00GR5PL	6
12	812639	WASHER 0.625 SAE FLAT BS PL	8
13	924187L	PLATE-CA MOVER ENGINE PIVOT	1
14	924189L	PLATE-CA MOVER ENGINE PIVOT	2
15	935698	WELDT - MOTOR MOUNT GUIDE	4
16	935878L	PLATE - MOTOR MOUNT GUIDE	2
17	936831L	PLATE - BELT PIVOT	1
18	936939L	PLATE - ELECTRIC MOTOR SPACER	4
19	937418	WELDT-MOTOR MOUNT	1
20	967164	DRIVE-IN GREASE ZERK	4

ENGINE DRIVE - C1342



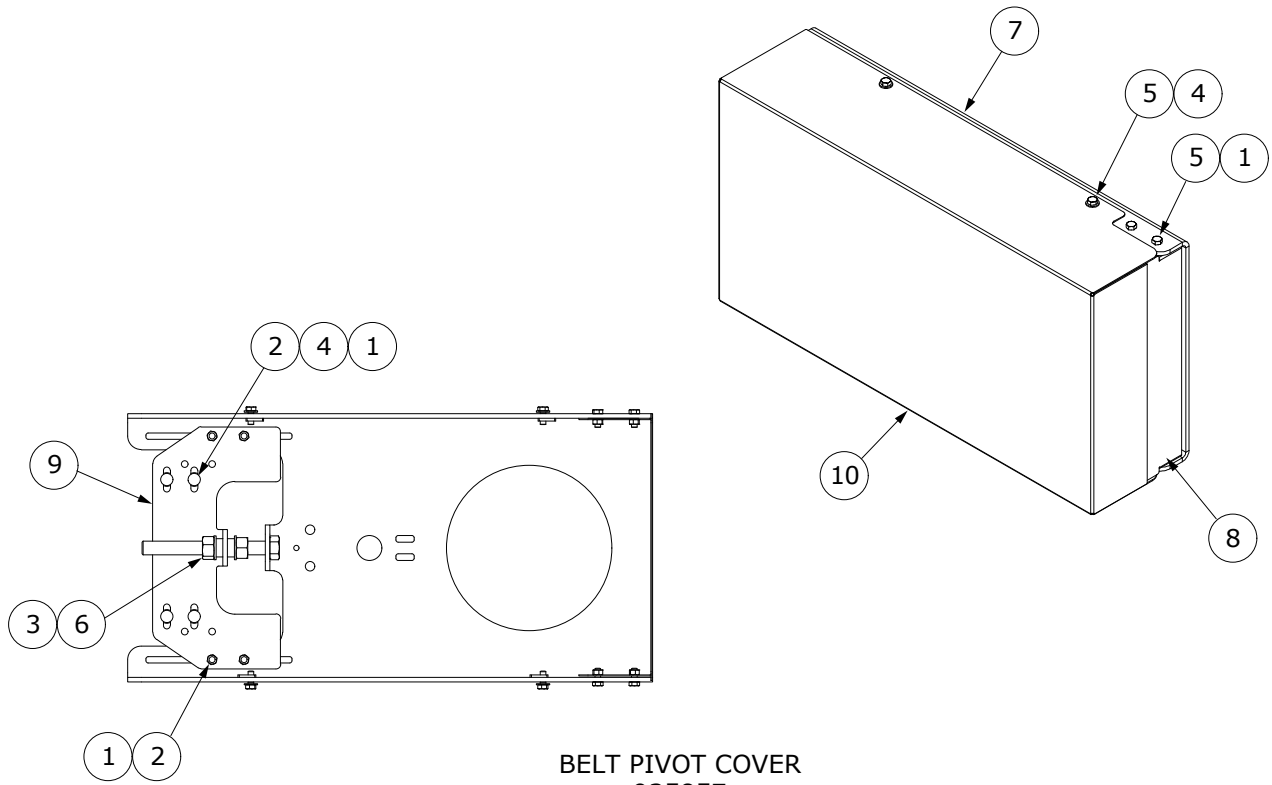
ITEM	PART NUMBER	DESCRIPTION	QTY.
1	812363	3/8" LOCK NUT (PL)	18
2	812624	1/4" FLAT WASHER PL	5
3	81525	1/4" X 3/4" HEX BOLT (PL)	5
4	81568	5/16" HEX NUT (PL)	2
5	81587	3/8" X 4" HEX BOLT (PL)	4
6	84039	WASHER - 3/8" SAE FLAT (PL)	16
7	84498	1/4" LOCK NUT (PL)	5
8	86170	3/8" X 1" HEX BOLT GR.5 (PL)	8
9	86171	3/8" X 1 1/4" HEX BOLT (PL)	4
10	909747	WARNING DECAL - ROTATING HAZARD	2
11	915251	BRKT-ENGINE MOUNT STOP	4
12	SZ000566	5/16x0.406 Hole Vinyl Dip Clamp	1
13	924063	BELT-2B255 HI-POWER II	1
14	927357	GUARD-LOWER TRAY	2
15	927358	GUARD-TRAY COVER	2
16	931586	ASSY-ENGINE & MOTOR MOUNT	1
17	931601	ASSY-BATTERY HOLDER	1
18	931999	HOSE STRAP-HOOK AND LOOP	6
19	9812377	5/16" X 3/4" SQ HEAD SET SCR (PL)	2
20	932337	ASSY-ELECTRIC CLUTCH	1
21	932690	#8-32 NYLON LOCK NUT GR2 ZP	8
22	934114	SCREW #8-32 X 0.50 ZP	8
23	934381	GROMMET - 1" ID	4
24	935198	ASSY-C1342 FUEL TANK	1
25	935847	ASSY - BELT GUARDTOP	1
26	935857	ASSY - BELT PIVOT	1
27	936884	SHEAVE-18" DOUBLE B, 1.5" BORE	1
28	936955	WELDT-C13 U/C CROSS BRACE	1
29	937871	BRKT - CLAMP	2
30	937967	C1342 ENGINE HARNESS	1
31	937969	BRKT - SWITCH MOUNT	1
32	961383	GUARD HOLDER RING 4 1/2"OD	1
33	967464	3/8" X 1 1/4" SQ HD SET SCREW (BR)	2
34	967044	3/8" X 3/8" X 3 3/8" PULLEY KEY	1
35	967184	14 1/2" STRAP	5

ENGINE DRIVE - C1352, C1362

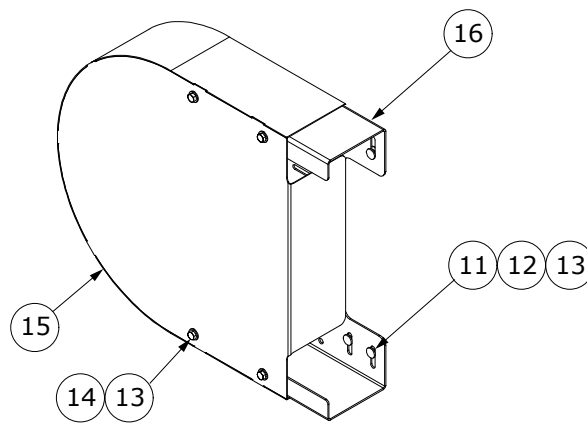


ITEM	PART NUMBER	DESCRIPTION	QTY.
1	81185	5/16" X 3/4" CARRIAGE BOLT (PL)	12
2	81525	1/4" X 3/4" HEX BOLT (PL)	3
3	81546	5/16" FLAT WASHER (PL)	16
4	81564	5/16" X 4.5" HEX BOLT (PL)	10
5	84498	1/4" LOCK NUT (PL)	3
6	86170	3/8" X 1" HEX BOLT GR.5 (PL)	4
7	812362	5/16" LOCK NUT (PL)	24
8	812363	3/8" LOCK NUT (PL)	4
9	812624	1/4" FLAT WASHER PL	1
10	812626	BOLT CARR 0.313NC X 1.00GR5PL	2
11	914643	KEY - 3/8" X 3/8" X 2"	1
12	932537	P-CLIP 0.19 DIA	1
13	935364	ASSY - MOTOR MOUNT DIESEL ENGINE	1
14	935847	ASSY - BELT GUARDTOP	1
15	935857	ASSY - BELT PIVOT	1
16	936851	2C-420 V-BELT	1
17	936868	DIESEL FUEL TANK-16 GAL	1
18	936881	WELDT-FUEL TANK MOUNT	1
19	936882	BRKT - AXLE CLAMP	2
20	937100	2C 16" QD SHEAVE	1
21	937110	SF X 1-1/2" QD BUSHING	1
22	937251	ASSY-ELECTRIC CLUTCH	1
23	937326L	PLATE - BELT TRAY SUPPORT	2
24	937552	BRKT-CLUTCH ATTACHMENT	1
25	937553L	PLATE - DIESEL TANK STRAPS	2
26	937805	KEY - 1/2" X 1/2" X 2 1/4"	1
27	937870	BRKT - CONTROLS MOUNT	1
28	937871	BRKT - CLAMP	1
29	937883	RUBBER GROMMET 3/8"	1
30	BU500397-6	HEX BOLT 5/16 X 5/8" (PL)	4
31	938274	GUARD-LOWER TRAY	2
32	938275	GUARD-LOWER TRAY	2
33	938493	GUARD-TRAY COVER	2
34	938494	GUARD-TRAY COVER	2

ENGINE / MOTOR GUARDS



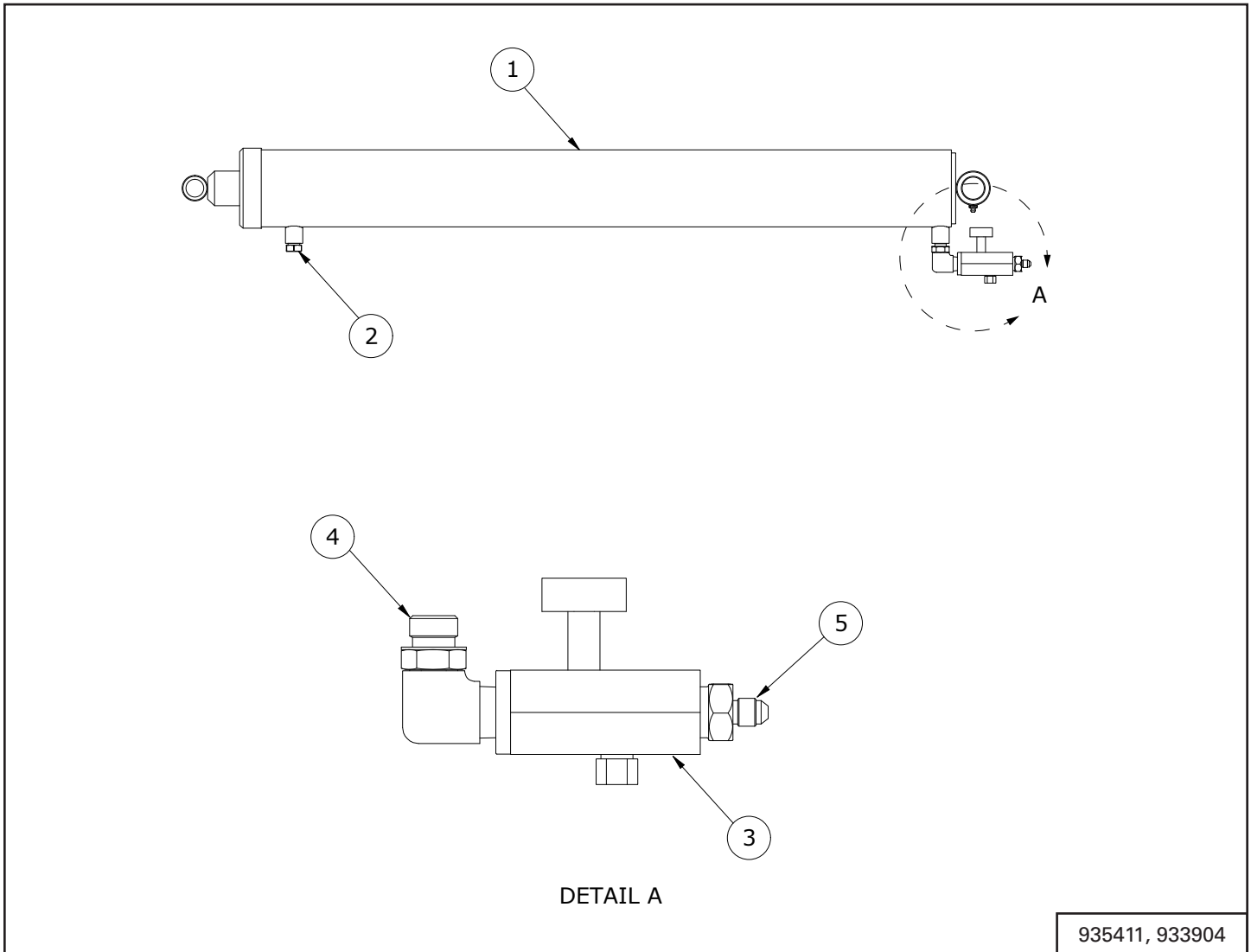
BELT PIVOT COVER
935857



TOP BELT GUARD
935847

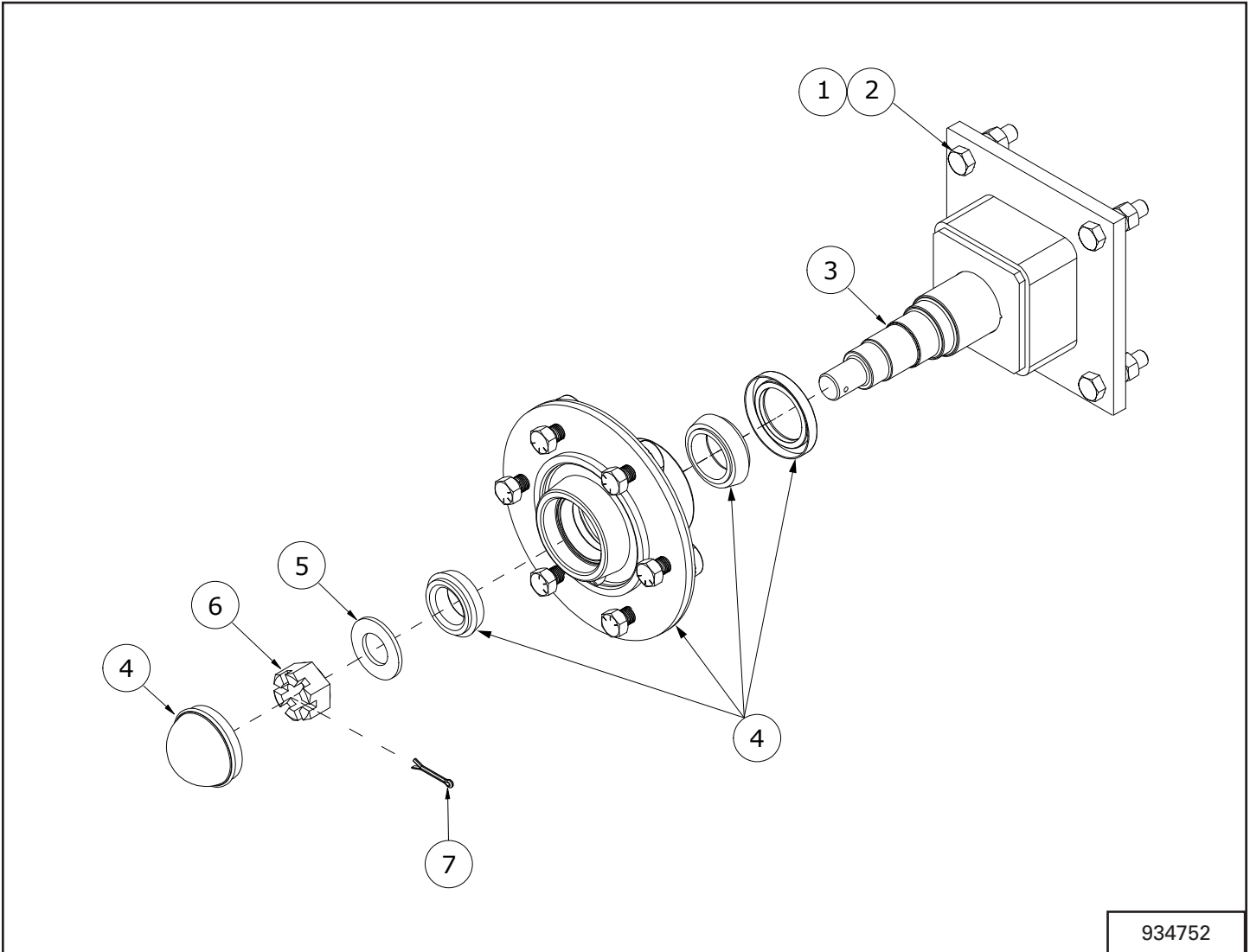
ITEM	PART NUMBER	DESCRIPTION	QTY.
1	812362	5/16" LOCK NUT (PL)	12
2	812626	BOLT CARR 0.313NC X 1.00GR5PL	8
3	812639	WASHER 0.625 SAE FLAT BS PL	2
4	81546	5/16" FLAT WASHER (PL)	8
5	81549	5/16" X 3/4" HEX BOLT (PL)	8
6	81700	3/4" HEX NUT (PL)	2
7	935854	WELDT - GUARD MOUNT	1
8	935882	BRKT - BELT GUARD	1
9	937341	WELDT - GUARD CONNECTOR	1
10	937884	WELDT - LOWER BELT GUARD	1
11	81185	5/16" X 3/4" CARRIAGE BOLT (PL)	4
12	812362	5/16" LOCK NUT (PL)	4
13	81546	5/16" FLAT WASHER (PL)	8
14	81549	5/16" X 3/4" HEX BOLT (PL)	4
15	935846	WELDT - BELT GUARD COVER	1
16	935845	WELDT - BELT GUARD	1

HYDRAULIC CYLINDER



ITEM	PART NUMBER	DESCRIPTION	QTY.
1	F9184	4" X 36" HYDRAULIC CYLINDER - C1342, C1352	1
	F9778	4.5" X 42.5" HYDRAULIC CYLINDER - C1362	1
2	967908	PLUG-8 ORB VENT	1
3	960118	-8 FNPT FLOW CONTROL VALVE (ONE WAY) (STEEL)	1
4	906541	ELBOW 90 DEGREE -8 MORB X -8 MNPT	1
5	935958	ADAPTER-8MPT X -4MJIC	1

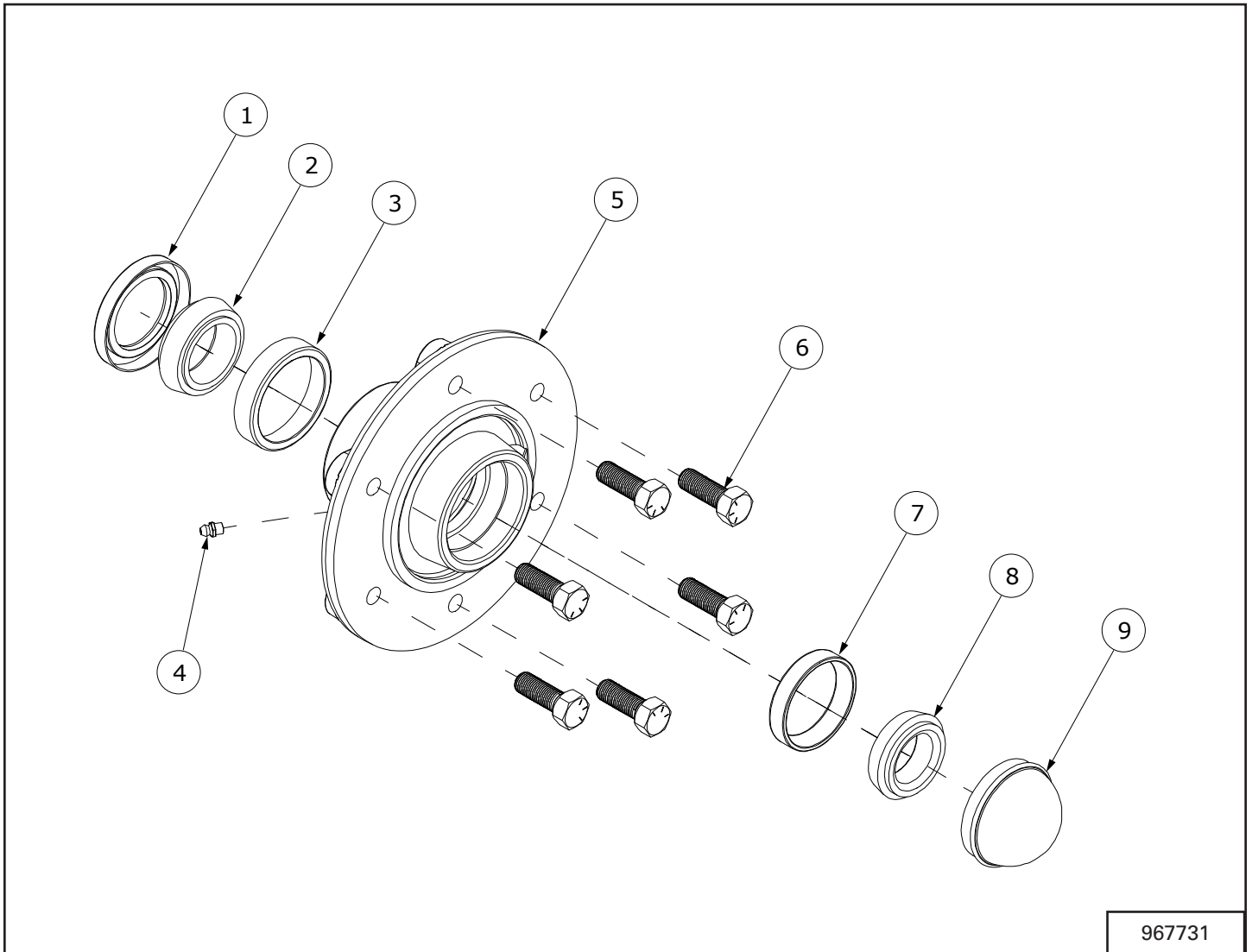
AXLE STUB W/ HUB



934752

ITEM	PART NUMBER	DESCRIPTION	QTY.
1	812364	1/2" LOCK NUT (PL)	4
2	811791	1/2" X 2" HEX BOLT (PL)	4
3	906466	STUB AXLE WELDMENT	1
4	967731	HUB CTD H611 COMPLETE ASSY	1
5	967713	7/8" SAE FLAT WASHER (BR)	1
6	810010	CASTLE NUT	1
7	9812486	1/8" X 1 1/2" COTTER PIN (BR)	1

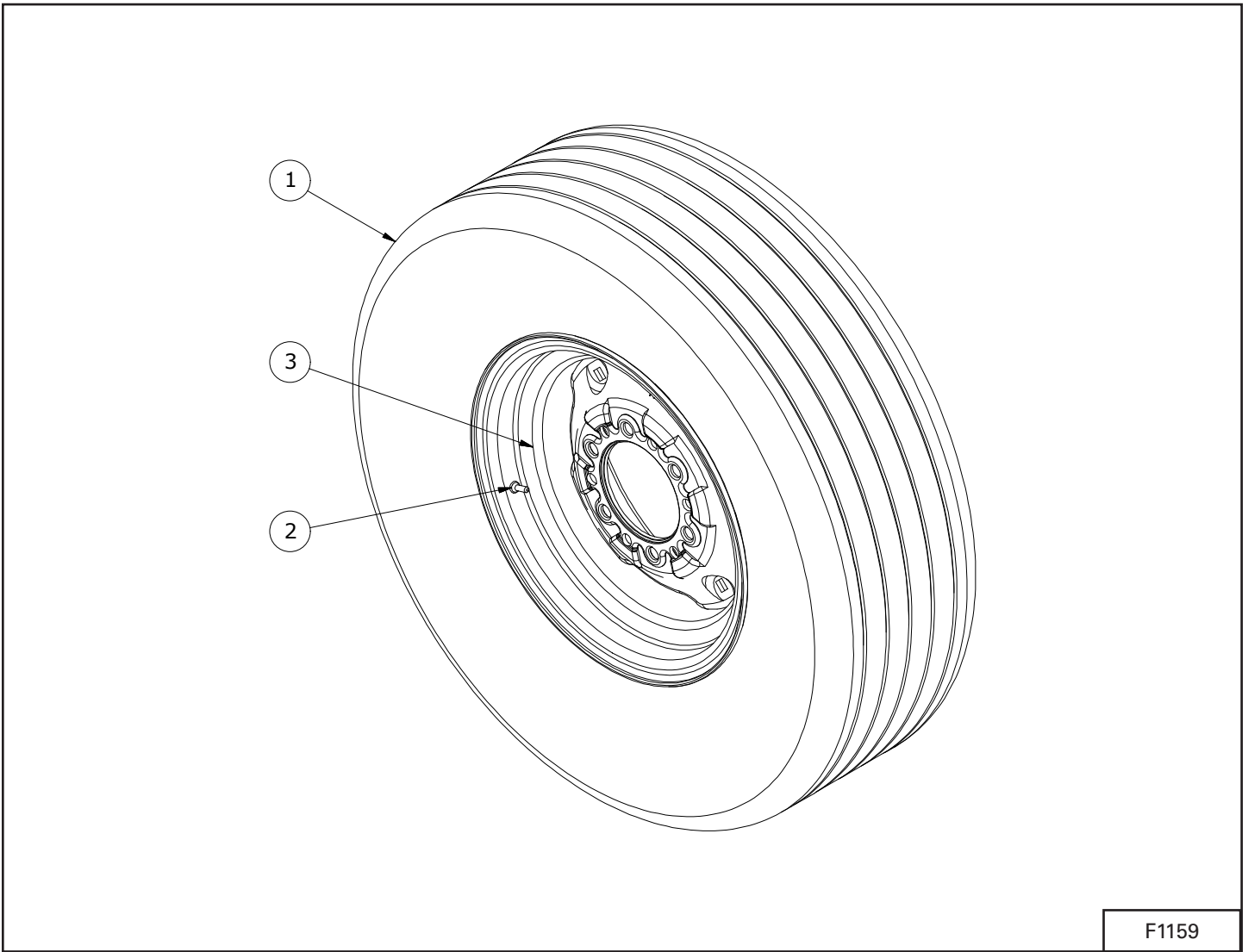
HUB



967731

ITEM	PART NUMBER	DESCRIPTION	QTY.
1	967707	OIL SEAL	1
2	967708	INNER BEARING CONE	1
3	967709	INNER BEARING CUP	1
4	967900	1/4" GREASE FITTING	1
5	967710	H611 HUB	1
6	968404	1/2"-20 X 1-1/4" WHEEL BOLTS	1
7	967711	OUTER BEARING CUP	1
8	967712	OUTER BEARING CONE	1
9	967716	DUST CAP	1

WHEEL AND TIRE



F1159

ITEM	PART NUMBER	DESCRIPTION	QTY.
1	959205	TIRE 9.5L X 15 X 6 PLY	1
2	959210	TIRE VALVE - TR415	1
3	F0210	WHEEL-15 X 6 X 6 BOLT	1

Farm King



SPECIFICATIONS

PERFORMANCE.....	181
DIMENSIONS.....	181
HARDWARE TORQUE VALUES.....	182
Metric Chart.....	182
Imperial Chart.....	183
HYDRAULIC CONNECTION SPECIFICATIONS.....	184
O-Ring Fitting (Straight Thread).....	184
O-Ring Face Seal Connection.....	184
Flare Fitting.....	184
Port Seal (O-Ring Boss) Fitting.....	184
Tubelines And Hoses.....	184

Farm King



PERFORMANCE

Model	C1342	C1352	C1362
Recommended HP (Direct Drive)	60 HP		
Lift Cylinder	700 +/- 50 PSI		
Fighting	11.75" OD, 11.75" Pitch, 0.25" Thickness		
Main Tube	12.75" OD, 12 GA Thickness		
Undercarriage Arms	3.00" X 2.00" X 0.188" ASTM A500 Rectangular tubing		
Capacity (bu/hr)	-	-	-

DIMENSIONS

Model	C1342	C1352	C1362
Max Field Height	316"	398"	465"
Field Width	137"	137"	137"
Transport Width	137"	137"	137"
Transport Height	145"	151"	155"
Transport Length	516"	637"	759"

Note: Dimensions are approximate measurements.

HARDWARE TORQUE VALUES

Metric Chart

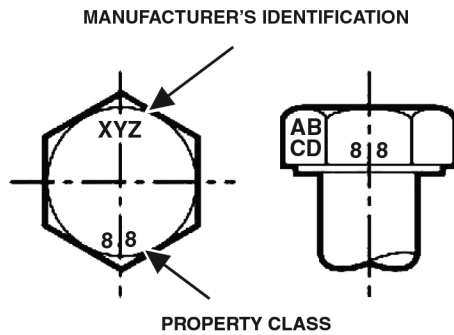
NOTE: Do not use the values listed in the charts if a different torque value or tightening procedure is specified in this manual for a specific application. Torque values listed are for general use only.

Use the following charts to determine the correct torque when checking, adjusting or replacing hardware. **Torque values are listed in newton-meters (inch* or foot pounds) for normal assembly applications.**

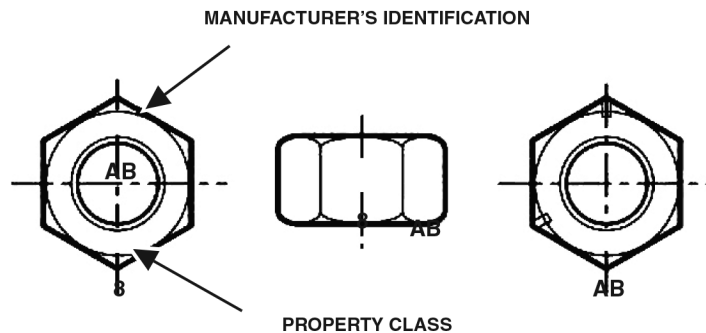
Nominal Size	Class 5.8		Class 8.8		Class 10.9		Lock nuts
	Unplated	Plated W / ZnCr	Unplated	Plated W / ZnCr	Unplated	Plated W / ZnCr	CL.8 w/ CL. 8.8 Bolt
M4	1.7 (15*)	2.2 (19*)	2.6 (23*)	3.4 (30*)	3.7 (33*)	4.8 (42*)	1.8 (16*)
M6	5.8 (51*)	7.6 (67*)	8.9 (79*)	12 (102*)	13 (115*)	17 (150*)	6.3 (56*)
M8	14 (124*)	18 (159*)	22 (195*)	28 (248*)	31 (274*)	40 (354*)	15 (133*)
M10	28 (21)	36 (27)	43 (32)	56 (41)	61 (45)	79 (58)	30 (22)
M12	49 (36)	63 (46)	75 (55)	97 (72)	107 (79)	138 (102)	53 (39)
M16	121 (89)	158 (117)	186 (137)	240 (177)	266 (196)	344 (254)	131 (97)
M20	237 (175)	307 (226)	375 (277)	485 (358)	519 (383)	671 (495)	265 (195)
M24	411 (303)	531 (392)	648 (478)	839 (619)	897 (662)	1160 (855)	458 (338)

NOTE: Torque values shown with * are inch pounds.

Identification of Hex Cap Screws and Carriage Bolts - Classes 5 and up



Identification of Hex Nuts and Lock Nuts - Classes 5 and up



Imperial Chart

NOTE: Do not use the values listed in the charts if a different torque value or tightening procedure is specified in this manual for a specific application. Torque values listed are for general use only.

Use the following charts to determine the correct torque when checking, adjusting or replacing hardware. **Torque values are listed in newton-meters (inch* or foot pounds) for normal assembly applications.**

Nominal Size	SAE Grade 5		SAE Grade 8		LOCK NUTS			
	Unplated or Plated Silver	Plated W / ZnCr Gold	Unplated or Plated Silver	Plated W / ZnCr Gold	Unplated or Plated Silver	Plated W / ZnCr Gold	Grade W / Gr. 5 Bolt	Grade W / Gr. 8 Bolt
1/4	6.2 (55*)	8.1 (72*)	9.7 (86*)	12.6 (112*)	13.6 (121*)	17.7 (157*)	6.9 (61*)	9.8 (86*)
5/16	13 (115*)	17 (149*)	20 (178*)	26 (229*)	28 (250*)	37 (324*)	14 (125*)	20 (176*)
3/8	23 (17)	30 (22)	35 (26)	46 (34)	50 (37)	65 (48)	26 (19)	35 (26)
7/16	37 (27)	47 (35)	57 (42)	73 (54)	80 (59)	104 (77)	41 (30)	57 (42)
1/2	57 (42)	73 (54)	87 (64)	113 (83)	123 (91)	159 (117)	61 (45)	88 (64)
9/16	81 (60)	104 (77)	125 (92)	163 (120)	176 (130)	229 (169)	88 (65)	125 (92)
5/8	112 (83)	145 (107)	174 (128)	224 (165)	244 (180)	316 (233)	122 (90)	172 (127)
3/4	198 (146)	256 (189)	306 (226)	397 (293)	432 (319)	560 (413)	217 (160)	306 (226)
7/8	193 (142)	248 (183)	495 (365)	641 (473)	698 (515)	904 (667)	350 (258)	494 (364)
1	289 (213)	373 (275)	742 (547)	960 (708)	1048 (773)	1356 (1000)	523 (386)	739 (545)

NOTE: Torque values shown with * are inch pounds.

Identification of Hex Cap Screws and Carriage Bolts



SAE GRADE 2 BOLTS



SAE GRADE 5 BOLTS



SAE GRADE 8 BOLTS



SAE GRADE 2 NUTS

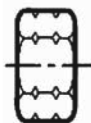


SAE GRADE 2 NUTS



SAE GRADE 2 NUTS

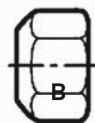
Identification of Hex Nuts and Lock Nuts



Grade A - No Notches

Grade B - One Circumferential Notch

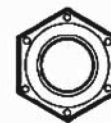
Grade C - One Circumferential Notches



Grade A - No Mark

Grade B - Letter B

Grade C - Letter C



Grade A - No Marks

Grade B - Three Marks

Grade C - Six Marks

(Marks not always located at corners)

HYDRAULIC CONNECTION SPECIFICATIONS

O-Ring Fitting (Straight Thread)

Lubricate the O-ring before installing the fitting. Loosen the jam nut and install the fitting. Tighten the jam nut until the washer is tight against the surface.

O-Ring Face Seal Connection

O-ring Face Seal Tightening Torque		
Tubeline O.D.	Thread Size	N•m (ft-lb)
1/4"	9/16" - 18	13 (18)
3/8"	11/16" - 16	22 (30)
1/2"	13/16" - 16	40 (54)
5/8"	1" - 14	60 (81)
3/4"	1-3/16" - 12	84 (114)
7/8"	1-3/16" - 12	98 (133)
1"	1-7/16" - 12	118 (160)
1-1/4"	1-11/16" - 12	154 (209)
1-1/2"	2" - 12	163 (221)

When the fitting is tightened, you can feel when the fitting is tight to eliminate leakage caused by under or over torqued fittings. Use petroleum jelly to hold the O-ring in position until the fittings are assembled.

Flare Fitting

Flare Fitting Tightening Torque		
Tubeline O.D.	Thread Size	N • m (ft-lb)
1/4"	7/16" - 20	13 (18)
5/16"	1/2" - 20	17 (23)
3/8"	9/16" - 18	22 (30)
1/2"	3/4" - 16	40 (54)
5/8"	7/8" - 14	60 (81)
3/4"	1-1/16" - 12	84 (114)
7/8"	1-3/16" - 12	98 (133)
1"	1-5/16" - 12	118 (160)
1-1/4"	1-5/8" - 12	154 (209)
1-1/2"	1-7/8" - 12	163 (221)
2"	2-1/2" - 12	252 (342)

Tighten until the nut makes contact with the seat. Use the chart [Figure 57] to find the correct tightness needed.

Port Seal (O-Ring Boss) Fitting

Port Seal And O-ring Boss Tightening Torque		
Tubeline O.D.	Thread Size	N•m (ft-lb)
1/4"	7/16" - 20	13 (18)
3/8"	9/16" - 18	22 (30)
1/2"	3/4" - 16	40 (54)
5/8"	7/8" - 14	60 (81)
3/4"	1-1/16" - 12	84 (114)
7/8"	1-3/16" - 12	98 (133)
1"	1-5/16" - 12	118 (160)
1-1/8"	1-7/16" - 12	154 (209)
1-1/4"	1-5/8" - 12	163 (221)

Note: Port seal and nut, washer and O-ring (O-ring Boss) fittings use the same tightening torque valve chart [Figure 58].

If a torque wrench cannot be used, use the following method.

Tighten the nut until it just makes metal to metal contact, you can feel the resistance.

Tighten the nut with a wrench no more than one hex flat maximum.

Do not over tighten the port seal fitting.

Note: If a torque wrench cannot be used, use the hex flat tightening method as an approximate guideline.

Note: Port seal fittings are not recommended in all applications. Use O-ring boss fittings in these applications.

Tubelines And Hoses

Replace any tubelines that are bent or flattened. They will restrict flow, which will slow hydraulic action and cause heat.

Replace hoses which show signs of wear, damage or weather cracked rubber.

Always use two wrenches when loosening and tightening hose or tubeline fittings.

WARRANTY

FARM KING BASE LIMITED WARRANTY.....	187
Repair Parts Limited Warranty.....	187
What Is Not Covered.....	187
Authorized Dealer And Labor Costs.....	187
Warranty Requirements.....	188

Farm King



FARM KING BASE LIMITED WARRANTY

Farm King provides this warranty only to original retail purchasers of its products. Farm King warrants to such purchasers that all Farm King manufactured parts and components used and serviced as provided for in the Operator's Manual shall be free from defects in materials and workmanship for a period following delivery to the original retail purchaser of two (2) years. This limited warranty applies only to those parts and components manufactured by Farm King. Parts and components manufactured by others are subject to their manufacturer's warranties, if any.

Farm King will fulfill this limited warranty by, at its option, repairing or replacing any covered part that is defective or is the result of improper workmanship, provided that the part is returned to Farm King within thirty (30) days of the date that such defect or improper workmanship is, or should have been, discovered. Parts must be returned through the selling representative and the buyer must prepay transportation charges.

Farm King will not be responsible for repairs or replacements that are necessitated, in whole or part, by the use of parts not manufactured by or obtained from Farm King. Under no circumstances are component parts warranted against normal wear and tear. There is no warranty on product pump seals, product pump bearings, rubber product hoses, pressure gauges, or other components that require replacement as part of normal maintenance.

Repair Parts Limited Warranty

Farm King warrants genuine Farm King replacement parts purchased after the expiration of the Farm King Limited Warranty, and used and serviced as provided for in the Operator's Manual, to be free from defects in materials or workmanship for a period of thirty (30) days from the invoice date for the parts. Farm King will fulfill this limited warranty by, at its option, repairing or replacing any covered part that is defective or is the result of improper workmanship, provided that the part is returned to Farm King within thirty (30) days of the date that such defect or improper workmanship is, or should have been, discovered. Such parts must be shipped to the Farm King factory at the purchaser's expense.

What Is Not Covered

Under no circumstances does this limited warranty cover any components or parts that have been subject to the following: negligence; alteration or modification not approved by Farm King; misuse; improper storage; lack of reasonable and proper maintenance, service, or repair; normal wear; damage from failure to follow operating instructions; accident; and/or repairs that have been made with parts other than those manufactured, supplied, and or authorized by Farm King.

Authorized Dealer And Labor Costs

Repairs eligible for labor under this limited warranty must be made by Farm King or an authorized Farm King dealer. Farm King retains the exclusive discretion to determine whether it will pay labor costs for warranty repairs or replacements, and the amount of such costs that it will pay and the time in which the repairs will be made. If Farm King determines that it will pay labor costs for warranty work, it will do so by issuing a credit to the dealer's or distributor's account. Farm King will not approve or pay invoices sent for repairs that Farm King has not previously approved. Warranty service does not extend the original term of this limited warranty. Payment of labor costs will only be considered on repairs made to manufactured parts and components that have been found defective during a period of one (1) year following delivery to the original retail purchaser.

Warranty Requirements

To be covered by warranty, each new product must be registered with Farm King within thirty (30) days of delivery to original retail purchaser. If the customer decides to purchase replacement components before the warranty disposition of such components is determined, Farm King will bill the customer for such components and then credit the replacement invoice for those components later determined to be covered by this limited warranty. Any such replacement components that are determined not to be covered by this limited warranty will be subject to the terms of the invoice and shall be paid for by the purchaser.

EXCLUSIVE EFFECT OF WARRANTY AND LIMITATION OF LIABILITY

TO THE EXTENT PERMITTED BY LAW, FARM KING DISCLAIMS ANY WARRANTIES, REPRESENTATIONS, OR PROMISES, EXPRESS OR IMPLIED, AS TO THE QUALITY, PERFORMANCE, OR FREEDOM FROM DEFECT OF THE COMPONENTS AND PARTS COVERED BY THIS WARRANTY AND NOT SPECIFICALLY PROVIDED FOR HEREIN.

TO THE EXTENT PERMITTED BY LAW, FARM KING DISCLAIMS ANY IMPLIED WARRANTIES OF MERCHANTABILITY AND FITNESS FOR A PARTICULAR PURPOSE ON ITS PRODUCTS COVERED HEREIN, AND DISCLAIMS ANY RELIANCE BY THE PURCHASER ON FARM KING'S SKILL OR JUDGMENT TO SELECT OR FURNISH GOODS FOR ANY PARTICULAR PURPOSE. THE PURCHASER'S ONLY AND EXCLUSIVE REMEDIES IN CONNECTION WITH THE BREACH OR PERFORMANCE OF ANY WARRANTY ON FARM KING'S PRODUCTS ARE THOSE SET FORTH HEREIN. IN NO EVENT SHALL FARM KING BE LIABLE FOR INCIDENTAL OR CONSEQUENTIAL DAMAGES (INCLUDING, BY WAY OF EXAMPLE ONLY AND NOT LIMITATION, LOSS OF CROPS, LOSS OF PROFITS OR REVENUE, OTHER COMMERCIAL LOSSES, INCONVENIENCE, OR COST OF REPLACEMENT OF RENTAL EQUIPMENT). IN NO EVENT SHALL FARM KING'S CONTRACT OR WARRANTY LIABILITY EXCEED THE PURCHASE PRICE OF THE PRODUCT. (Note that some states do not allow limitations on how long an implied warranty lasts or the exclusion or limitation of incidental or consequential damages, so the above limitations and exclusion may not apply to you.) This warranty gives you specific legal rights and you may also have other rights, which vary from state to state.

Farm King neither assumes nor authorizes any person or entity, including its selling representatives, to assume any other obligations or liability in connections with the sale of covered equipment, or to make any other warranties, representations, or promises, express or implied, as to the quality, performance, or freedom from defect of the components and parts covered herein. No one is authorized to alter, modify, or enlarge this limited warranty, or its exclusions, limitations and reservations.

Corrections of defects and improper workmanship in the manner, and for the applicable time periods, provided for herein shall constitute fulfillment of all responsibilities of Farm King to the purchaser, and Farm King shall not be liable in negligence, contract, or on any other basis with respect to the subject equipment.

This limited warranty is subject to any existing conditions of supply which may directly affect Farm King's ability to obtain materials or manufacturer replacement parts.

Buhler Industries Inc. reserves the right to make improvements in design or changes in specifications to its products at anytime, without incurring any obligation to owners of units previously sold.

www.farm-king.com

Farm King

301 Mountain Street South
Morden, MB R6M 1X7
E-mail: info@buhler.com
www.farm-king.com

Equipment shown is subject to change without notice.
©2020 Buhler Trading Inc. Printed in Canada TSX: BUI