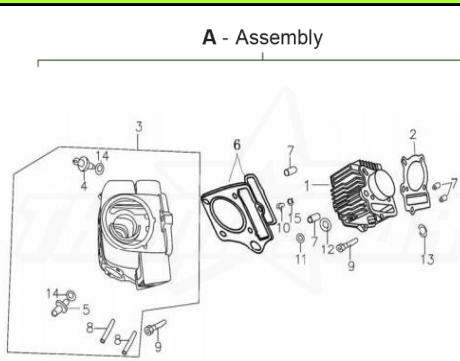


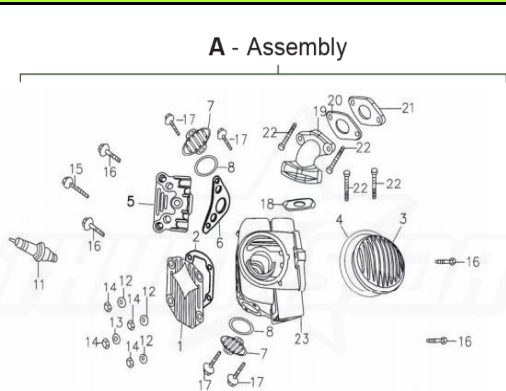
YX140

E-1 CYLINDER ASSY



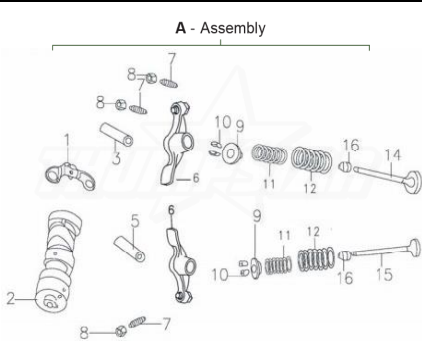
POS.	PART NO	ERP CODE	ENGLISH NAME	QTY
A			COMPLETE ASSEMBLY	
1	P040001	2081A038	CYLINDER BODY	1
2	P040002	208B010	CYLINDER BODY SEAL PACKING	1
3	P040003	208A000	CYLINDER HEAD ASSY	1
4	P040004	D00A001	SUCTION-VALVE PIPE	1
5	P040005	D00A002	EXHAUST VALVE PIPE	1
6	P040006	208B008	CYLINDER HEAD SEAL GASKET	1
7	P040007	97010012	ASSEMBLING PIN 10 x12	4
8	P040008	208M036	BOLT M6x38	2
9	P040009	GB5783	BOLT	3
10	P040010	D00L040	OIL SEAL	1
11	P040011	208-1-11	OIL SEAL	1
12	P040012	D00L033	RECTANGLE SEAL PING	1
13	P040013	D00L035	RECTANGLE SEAL PING	1
14	P040014	D00C047	O-Ring 9x1.6	2
15	P040015	208-1-15	SEAL LVASHER	1

E-2 CYLINDER HEAD



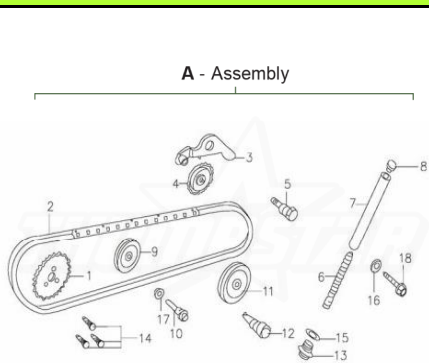
POS.	PART NO	ERP CODE	ENGLISH NAME	QTY
A			Complete Assembly	
1	P040016	208A036	CYLINDER HEAD COVER	1
2	P040017	206B009	LINDER HEAD COVER SEAL PACKI	1
3	P040018	208A033	CYLINDER HEAD LEFT COVER	1
4	P040019	E03B006	LINDER HEAD LEFT COVER SEAL F	1
5	P040020	208A035	CYLINDER HEAD RIGHT COVER	1
6	P040021	D00B007	LINDER HEAD RIGHT COVER SEAL	1
7	P040022	208A032	VALVA COVER	2
8	P040023	D00C058	SEAL FOR INTAKE VALVE	2
11	P040024	D001D021	NGK SPARKING PLUG	1
12	P040025	E03L016	CUSHION RING	3
13	P040026	E03L008	CUSHION RING	1
14	P040027	23H070000BC	NUT	4
15	P040028	GB5787	BOLT	1
16	P040029	GB70	SCREW	4
17	P040030	GB5787	PLATE BOLT	6
18	P040031	208B030	SEAL PACKING FOR THE INTAKE	1
19	P040032	L00JQ214	INTAKE	1
20	P040033	F001B014	SEAL PACKING	1
21	P040034	F00C039	CARBURETOR SEAL PACKING	1
22	P040035	GB5787	PLATE BOLT	4
23	P040036	208A000	CYLINDER HEAD ASSY	1

E-3 CAMSHAFT AND VALVES



POS.	PART NO	ERP CODE	ENGLISH NAME	QTY
A			Complete Assembly	
1	P040037	D00F013	ISOLATOR LOCKER ASSEMBLY	1
2	P040038	208F020	CAMSHAFT SUBASSEMBLY	1
3	P040039	D00F015	AIR-IN ROCKERARM SHAFT	1
5	P040040	D00F015	ROCKERARM SHAFT	1
6	P040041	D00F000	ROCKER ARM. VALVE	2
7	P040042	A00F001	AIR VALVE ADJUSTING SCREW	2
8	P040043	A00F002	AIR VALVE ADJUSTINF NUT	2
9	P040044	D00F034	UP SPRING SEAT	2
10	P040045	D00F033	AIR VALVE LOCKER	4
11	P040046	208H004	INNER SPRING. VALVE	2
12	P040047	208H003	OUTER SPRING. VALVE	2
14	P040048	208F045	INDUCTION VALVE	1
15	P040049	208F039	EXHAUST VALVE	1
16	P040050	D00C043	VALVE STEM SEAL	2

E-4 TIME CHAIN



POS.	PART NO	ERP CODE	ENGLISH NAME	QTY
A			Complete Assembly	
1	P040051	208F011	TIMING DRIVEN SPROCKET	1
2	P040052	E03F012	TIMING CHAIN	1
3	P040053	D00F043	HAIN TENSION ARM SUBASSEMBL	1
4	P040054	D00C020	IN TENSION CONTACT ROLLER AS	1
5	P040055	D00F044	CHAIN TENSION ARM MANDREL	1
6	P040056	D00H006	CHAIN TENSION STUD SPRING	1
7	P040057	D00F042	HAIN TENSION STUD SUBASSEMBL	1
8	P040058	D00C022	CHAIN TENSION STUD HEAD	1
9	P040059	E03C023	GUIDE WHEEL WITHOUT CORE	1
10	P040060	D00F048	GUIDE ROLLER PIN	1
11	P040061	E04C021	HAIN TENSION CONTACT ROLLER	1
12	P040062	E04F041	HAIN TENSION CONTACT ROLLER I	1
13	P040063	D00E025	SEAL BOLT	1
14	P040064	578305012	BOLT M5x12	3
15	P040065	D00L021	ALUMINIUM WASHER 14	1
16	P040066	208-4-16	WASHER	1
17	P040067	D00L019	ALUMINIUM WASHER 8	1
18	P040068	D00L020	BOLT	1

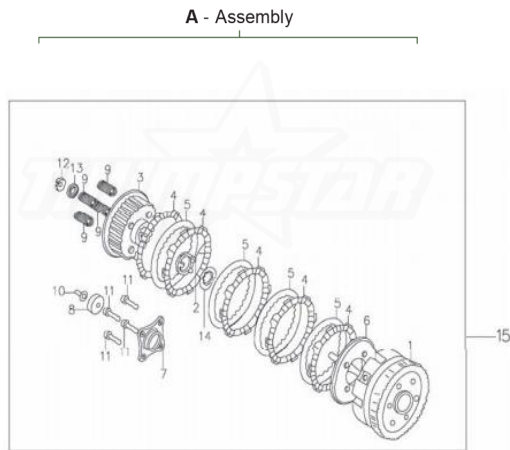
E-5 CRANKCASE		POS.	PART NO	ERP CODE	ENGLISH NAME	QTY
		A			Complete Assembly	
		1	P040069	208A020	RIGHT CRANKCASE BODY	1
		2	P040070	E13B005	CRANKCASE SEALED PACKING	1
		3	P040071	208A010	LEFT CRANKCASE BOGY	1
		4	P040072	F00C024	BREATHING PIPE	1
		5	P040073	D00L014	OVERFLOW PIPE CLIP	1
		6	P040074	D00L039BCF	PIPE CLAMPING	1
		7	P040075	206M001	CYLINDER TRAPPED STUD(A)	2
		8	P040076	206M002	CYLINDER TRAPPED STUD (B)	2
		9	P040077	D00L021	WASHER	1
		10	P040078	97010014	ASTEMBLING PIN	2
		11	P040079	D00E026BX	DISCHARGING OIL PLUG SCREW	1
		12	P040080	GB5787	BOLT	2
		13	P040081	GB5787	BOLT	1
		14	P040082	GB5787	BOLT	4
		15	P040083	D001C008	WASHER	1
16	P040084	D00C026	WASHER	1		

E-6 CRANKSHAFT		POS.	PART NO	ERP CODE	ENGLISH NAME	QTY
		A			Complete Assembly	
		1	P040085	208J000	CRANK CONNECTING ROD	1
		2	P040086	208J013	PISTON RING SET	1
		3	P040087	208J014	PISTON	1
		4	P040088	208J012	PISTON PIN	1
		5	P040089	D00J011	PISTON PIN SHIELD RING	2
		6	P040090	208J025	CONNECTING ROD LEVEL	1
		7	P040091	208J005	RIGHT-HAND CRANKSHAFT	1
		8	P040092	208J006	LEFT-HAND CRANK SHAFT	1
		9	P040093	208J007	CRANK PIN	1
		10	P040094	208J001	SEMICIRCULAR KEY	1
		11	P040095	E13E023	OIL PUMP DRIVER GEAR	1
		12	P040096	6304/P6	BEARING	2
		13	P040097	208J008	BEARING	1
14	P040098	D04K015	PRIMARY DRIVER GEAR	1		

E-7 CRANKCASE COVER		POS.	PART NO	ERP CODE	ENGLISH NAME	QTY
		A			Complete Assembly	
		1	P040099	E13A034	RIGHT CRANKCASE COVER	1
		2	P040100	E13B002	RIGHT CRANKCASE SEALED	1
		3	P040101	97108012	PITCHED PIN	2
		4	P040102	GB5787	BOLT	5
		5	P040103	GB5787	BOLT	1
		6	P040104	GB5787	BOLT	2
		7	P040105	D00C038	OIL SCALE ASSEMBLY	1
		8	P040106	D00C060	O-SHAPED SEALED RING	1
		9	P040107	D00C016	OIL SEAL	1
		10	P040108	E13L031	CLUTCH CABLE CLIP	1
		11	P040109	E13G010BCF	CLUTCH CONTROL LEVER	1
		12	P040110	E13H007	CONTROL LEVER RETURN SPRING	1
		13	P040111	F04C030	OIL SEAL	1
14	P040112	208-7-14	OIL PIPE	1		

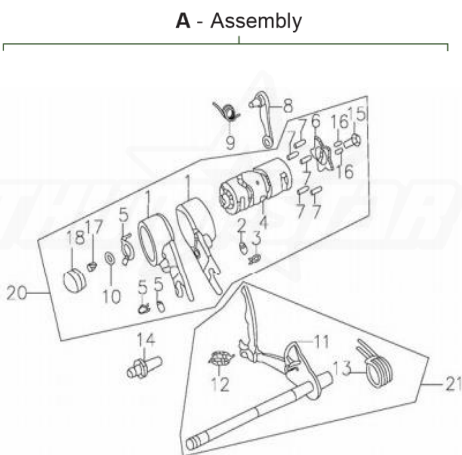
E-8 LEFT CRANKCASE COVER AND MAGNETIC		POS.	PART NO	ERP CODE	ENGLISH NAME	QTY
		A			Complete Assembly	
		1	P040113	A019A070	LEFT CRANKCASE COVER	1
		2	P040114	208D050	MAGNETON	1
		3	P040115	208D060	FLYWHEEL	1
		4	P040116	208D070	STATOR MODULE	1
		5	P040117	771000BCF	HEX NUT	1
		6	P040118	D00C028	OILE SEAL	1
		7	P040119	D001C062	O-SHAPED SEAL	1
		8	P040120	F002C048	O-SHAPED SEAL	1
		9	P040121	GB819	BOLT	2
		10	P040122	GB5787	BOLT	1
11	P040123	GB5787	BOLT	2		

E-9 CLUTCH COMPONENT PART



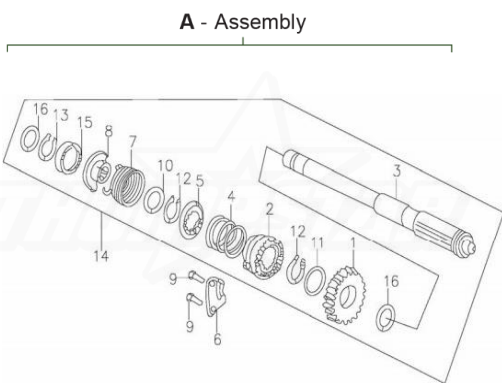
POS.	PART NO	ERP CODE	ENGLISH NAME	QTY
A			Complete Assembly	
1	P040124	208-9-1	CLUTCH EXTERNAL ASSY	1
2	P040125	208-9-2	HOLDING RING	1
3	P040126	208-9-3	CENTRE OF CLUTCH COVER	1
4	P040127	208-9-4	CLUTCH FRICTION DISK	5
5	P040128	208-9-5	CLUTCH BOARD	4
6	P040129	208-9-6	CLUTCH PRESSURE PLATE	1
7	P040130	208-9-7	CLUTCH LIFT SLAB	1
8	P040131	208-9-8	BEARING	1
9	P040132	208-9-9	CLUTCH SPRING	4
10	P040133	208-9-10	CLUTCH PUSH ROD	1
11	P040134	208-9-11	BOLT	4
12	P040135	208-9-12	ROUND NUT	1
13	P040136	208-9-13	DISK SHAPED WASHER	1
14	P040137	208-9-14	SPLINE SHAFT WASHER	1
15	P040138	206G000	CLUTCH ASSEMBLY	1

E-10 SHIFTING MOTIVATOR



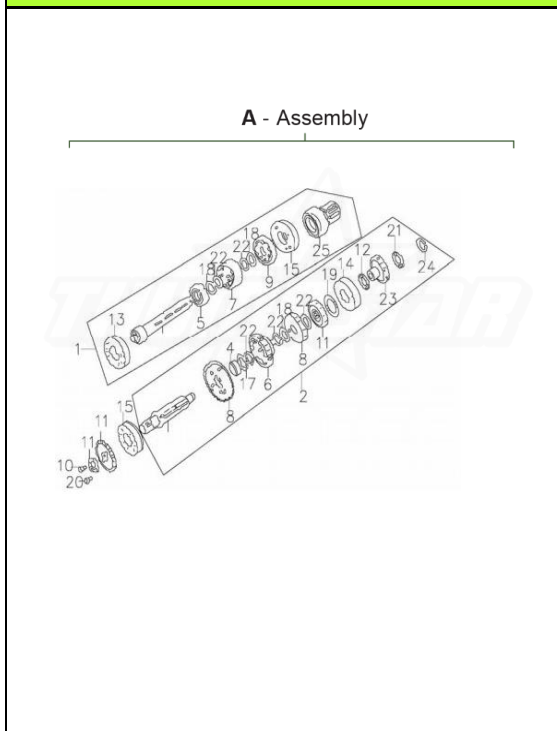
POS.	PART NO	ERP CODE	ENGLISH NAME	QTY
A			Complete Assembly	
1	P040139	208-10-1	GEAR SHIFT FORK	2
2	P040140	208-10-2	GUIDE PIN	1
3	P040141	208-10-3	SPRING CLIP	1
4	P040142	A00K066	SHIFTING DRUM	1
5	P040143	A00D010	NEUTRAL GEAR SWITCH CONTACT	1
6	P040144	A00K023	DRUM VARIATOR STRONGBACSTRONG	1
7	P040145	208-10-7	STRONGBACK PIN BOLT	5
8	P040146	2081K070	STRONGBACK SUB-ASSEMBLY	1
9	P040147	D00H009	STRONGBACK SPRING	1
10	P040148	A00K062	WASHER	1
11	P040149	208-10-11	SHIFTING SUBASSEMBLY	1
12	P040150	208-10-12	SPRING	1
13	P040151	208-10-13	RETURN SPRING	1
14	P040152	D00K024	ASSEMBLING SPING	1
15	P040153	GB5787	BOLT WITH SALVER	1
16	P040154	208-10-16	ASSEMBLING PIN	2
17	P040155	A00L033	SWITCH PRESSBOARD	1
18	P040156	A00K082	MOVING CONTACT SUBASSEMBLY	1
19	P040157	208-10-19	SOCKET HEAD CAP SCREW	1
20	P040158	A004K060	SHIFTING YOKE VARIATOR	1
21	P040159	C032K000	SHIFTING SUBASSEMBLY	1

E-11 START ASSEMBLY



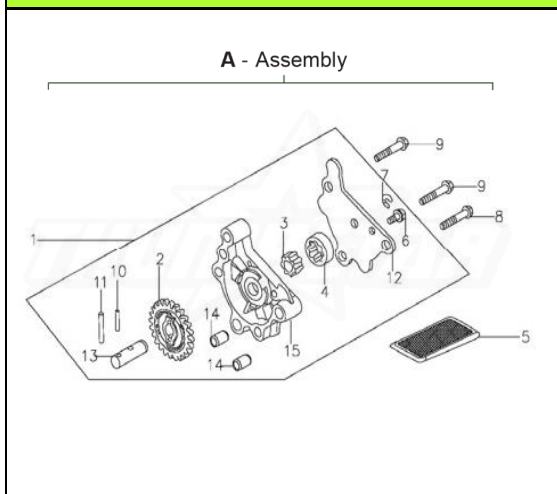
POS.	PART NO	ERP CODE	ENGLISH NAME	QTY
A			Complete Assembly	
1	P040160	208K025	START GEAR	1
2	P040161	208-11-2	STARTING RATCHET WHEEL	1
3	P040162	208-11-3	STARTING SHAFT	1
4	P040163	208-11-4	SPRING	1
5	P040164	208-11-5	RATCHET WHEEL SPRINGS SUPPORT	1
6	P040165	208-11-6	RATCHET WHEEL GUIDE RUNNER	1
7	P040166	208-11-7	STARTING SHAFT RETURN SPRING	1
8	P040167	208-11-8	STARTING SHAFT SPRING SUPPORT	1
9	P040168	GB5783	BOLT	2
10	P040169	208-11-10	WASHER	1
11	P040170	208-11-11	WASHER	2
12	P040171	208-11-12	WASHER	3
13	P040172	208-11-13	SHIELD RING	1
14	P040173	208I000	STARTING SHAFT ASSEMBLY	1
15	P040174	208-11-15	SPRING COVER	1
16	P040175	208-11-16	WASHER	2

E-12 SLOWING DOWN ASSEMBLY



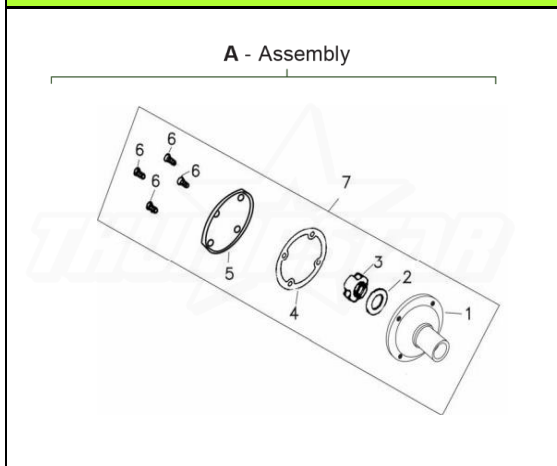
POS.	PART NO	ERP CODE	ENGLISH NAME	QTY
A			Complete Assembly	
1	P040176	E13K030	TRANSMISSION MMAIN SHAFT	1
2	P040177	E13K040	TRANSMISSION COUNTENSHAFT	1
3	P040178	208-12-3	GEAR WHEEL	1
4	P040179	208-12-4	GEARED SLEEVE	1
5	P040180	208-12-5	GEAR WHEEL	1
6	P040181	208-12-6	SPLINE SHAFT DRIVER GEAR	1
7	P040182	208-12-7	SPLINE SHAFT MAIN DRIVEN GEAR	1
8	P040183	208-12-8	GEAR WHEEL	1
9	P040184	208-12-9	GEAR WHEEL	1
10	P040185	208-12-10	SPLINE SHAFT GEAR WHEEL	1
11	P040186	A001K014	DRIVE SPROCKET	1
12	P040187	208-12-12	SRIVE SPROCKET CLOSING RING	1
13	P040188	6001	BEARING	1
14	P040189	6002	BEARING	1
15	P040190	6203	BEARING	2
16	P040191	208-12-16	THRUST WASHER	1
17	P040192	208-12-17	SPLINE SHAFT WASHER	1
18	P040193	208-12-18	SPLING SHAFT WASHER	3
19	P040194	208-12-19	SPLING SHAFT WASHER	2
20	P040195	208-12-20	BOLT	2
21	P040196	208-12-21	SPLING SHAFT WASHER	1
22	P040197	208-12-22	SHIELD RING	5
23	P040198	208-12-23	STAR ROLLING GEAR	1
24	P040199	208-12-24	SHIELD RING	1
25	P040200	208K036	CLITCH GEAR SLEEVE	1

E-13 PUMP ASSEMBLY



POS.	PART NO	ERP CODE	ENGLISH NAME	QTY
A			Complete Assembly	
1	P040201	E13E000	OIL PUMP COMPONENTS	1
2	P040202	208-13-2	OIL PUMP DRIVER GEAR	1
3	P040203	208-13-3	OIL PUMP INNER ROTOR	1
4	P040204	208-13-4	OIL PUMP OUTER ROTOR	1
5	P040205	D00C037	OIL FILTER SUBASSEMBLY	1
6	P040206	208-13-6	PLATE BOLT	1
7	P040207	208-13-7	SHIELD RING	1
8	P040208	GB5783	BOLT WITH SALVER	1
9	P040209	GB5783	BOLT WITH SALVER	2
10	P040210	208-13-10	PIN BEARING	1
11	P040211	208-13-11	PIN BEARING	1
12	P040212	208-13-12	OIL PUMP COVER	1
13	P040213	208-13-13	OIL PUMP AXIS	1
14	P040214	208-13-14	ASSEMBLING PIN	2
15	P040215	208-13-15	OIL PUMP BODY	1

E-14 BALANCE WHEEL ASSY



POS.	PART NO	ERP CODE	ENGLISH NAME	QTY
A			Complete Assembly	
1	P040216	208G082	BALANCE WHEEL	1
2	P040217	208-14-2	WASHER	1
3	P040218	208-14-3	LOCK NUT	1
4	P040219	208-14-4	PAPER WASHER	1
5	P040220	208-14-5	BALANCE WHEEL COVER	1
6	P040221	208-14-6	BOLT M5	4

