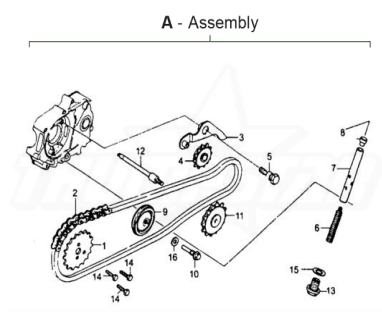


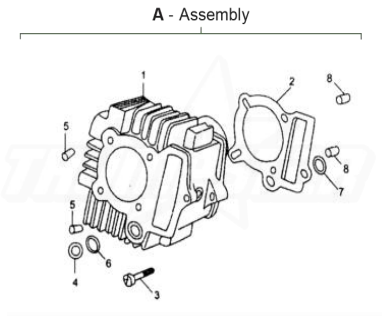
E-4 TIMING CHAIN AND TENSIONER

POS.	PART NO	ERP CODE	ENGLISH NAME	QTY
A	TS0013		Complete Assembly	
1	P041424	A00F011	Timing Driver Sprocket(28T)	1
2	P041425	D00F012	Timing Chain(84T)	1
3	P041426	D00F043	Tensioning Arm	1
4	P041427	D00C020	Tensioning Roller	1
5	P041428	D00F044	Screw	1
6	P041429	D00H006	Spring	1
7	P041430	D00F042	Tensioning Bar	1
8	P041431	204-4-8	Cap	1
9	P041432	D00C023	Guiding Wheel	1
10	P041433	D00F048	Pin,Guiding Wheel	1
11	P041434	204-4-11	Drive Sprocket,Oil pump	1
12	P041435	204-4-12	Sprocket Shaft,Oil pump	1
13	P041436	D00E025	Sealing Plug M14x1.5	1
14	P041437	578305012	Bolt M5x12	3
15	P041438	D00L021	Aluminium Washer 14	1
16	P041439	D00L019	AluminiumWasher 8	1



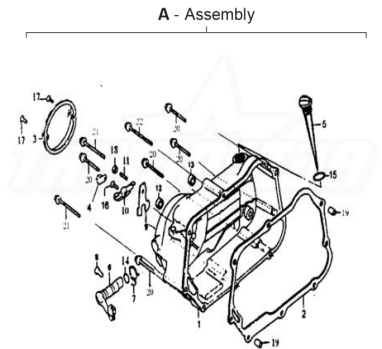
E-5 CYLINDER

POS.	PART NO	ERP CODE	ENGLISH NAME	QTY
A	TS0014		Complete Assembly	
1	P041440	204A038	Cylinder Block	1
2	P041441	204B010	Gasket,Cylinder Block	1
3	P041442	D00M015	Bolt M6x23	1
4	P041443	204-5-4	Washer	1
5	P041444	97010014	Dowel pin 10x14	2
6	P041445	204-5-6	Rectangular Ring 14.5x18.5x2.4	1
7	P041446	204-5-7	Rectangular Ring 11.5x15.7x2.4	1
8	P041447	97008012	Dowel pin 8x12	2



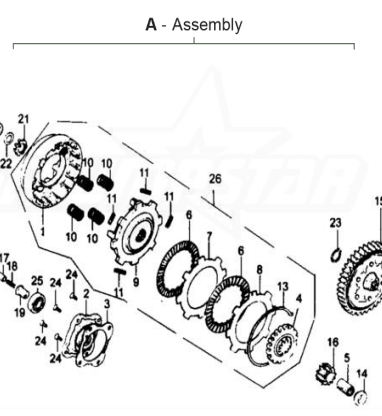
E-6 RIGHT CRANKCASE COVER

POS.	PART NO	ERP CODE	ENGLISH NAME	QTY
A	TS0015		Complete Assembly	
1	P041448	D01A034	Right Crankcase Cover	1
2	P041449	E04B002	Gasket,Crankcase Cover RH	1
3	P041450	204-6-3	Clutch Cover	1
4	P041451	204-6-4	Wire Clamp	1
5	P041452	D00C038LH	Dipstick	1
6	P041453	204-6-6	Operating Shaft,Clutch	1
7	P041454	204-6-7	Spring	1
8	P041455	204-6-8	Set Pin	1
9	P041456	204-6-9	Control Plate	1
10	P041457	204-6-10	Press Plate	1
11	P041458	204-6-11	Screw	1
12	P041459	A00C012	Oil Seal 12x21x4	1
13	P041460	D00C016	Oil Seal 13.7x24x5	1
14	P041461	204-6-14	O-Ring	1
15	P041462	D00C060	O-Ring 18x3.5	1
16	P041463	81906016	ScrewM6x16	1
17	P041464	204-6-17	Screw 5x12	2
18	P041465	204-6-18	Hex Nut 8MM	1
19	P041466	97008012	Dowel Pin 8x12	2
20	P041467	96006040	Bolt 6x40	5
21	P041468	96006080	Bolt 6x80	2
22	P041469	96006065	Bolt 6x65	1

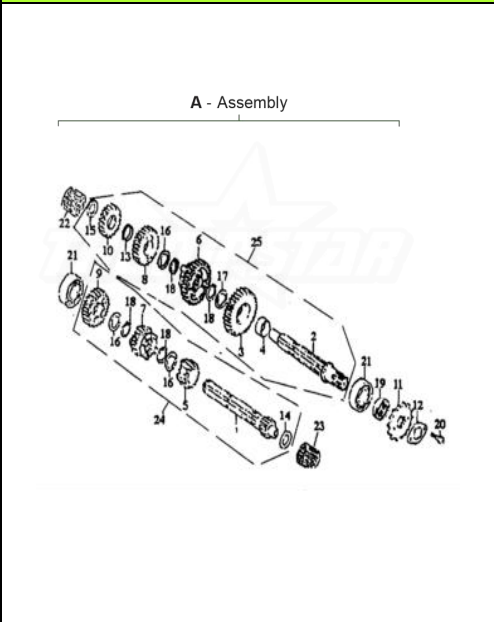
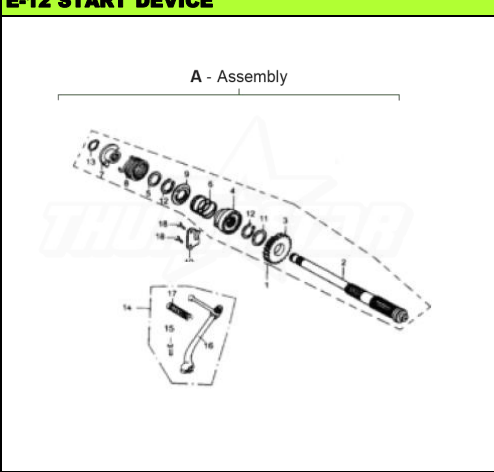
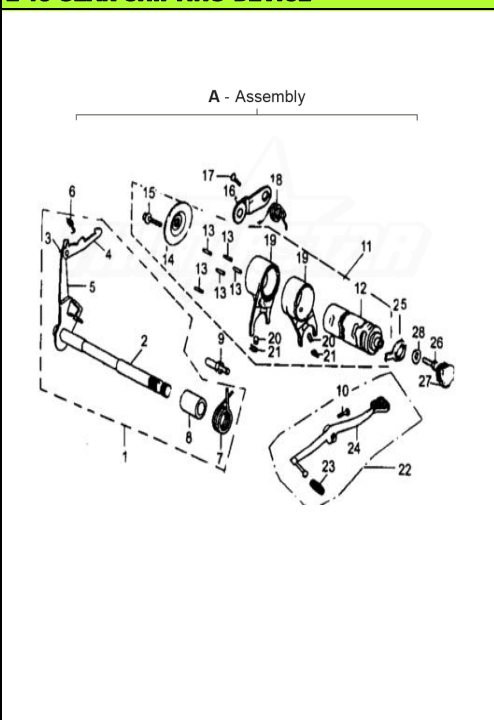


E-7 CLUTCH

POS.	PART NO	ERP CODE	ENGLISH NAME	QTY
A	TS0016		Complete Assembly	
1	P041470	204-7-1	Cluth Hood	1
2	P041471	204-7-2	End Cover	1
3	P041472	204-7-3	Gasket	1
4	P041473	204-7-4	Sleeve	1
5	P041474	204-7-5	Bushing	1
6	P041475	204-7-6	Driven Plate Set	2
7	P041476	204-7-7	Drive Plate (No.1)	1
8	P041477	204-7-8	Drive Plate (No.2)	1
9	P041478	204-7-9	Drive Disk	1
10	P041479	204-7-10	Spring	4
11	P041480	204-7-11	Damping Spring	4
12	P041481	A00G043	Push Rod Set	1
13	P041482	204-7-13	Collar	1
14	P041483	204-7-14	Washer	1
15	P041484	A00K016	Primary Driven Gear	1
16	P041485	A00K015	Primary Driven Gear Set	1
17	P041486	204-7-17	Oil Tube	1
18	P041487	204-7-18	Spring	1
19	P041488	204-7-19	Sleeve	1
20	P041489	204-7-20	Lock Nut M14x1	1
21	P041490	204-7-21	Lock Washer 14	1
22	P041491	204-7-22	Washer 14	1
23	P041492	A00K017	Snap Ring	1
24	P041493	204-7-24	Screw M5x10	4
25	P041494	204-7-25	Bearing 6000	1
26	P041495	204-7-26	Clutch Body	1



E-8 LEFT CRANKCASE COVER AND MAGNETIC MOTO		POS.	PART NO	ERP CODE	ENGLISH NAME	QTY
		A	TS0017		Complete Assembly	
		1	P041496	204-8-1	Crankcase Cover,LH	1
		2	P041497	204-8-2	Magneto Assy	1
		3	P041498	A01D060	Rotor,Magneto	1
		4	P041499	A0177D070	Stator,Magneto	1
		5	P041500	204-8-5	Wire Seal Block	1
		6	P041501	204-8-6	Indicator,Neutral	1
		7	P041502	204-8-7	Press Plate	1
		8	P041503	617710000BX-	Lock Nut	1
		9	P041504	204-8-9	Seal Oil 18.9×30×5	1
		10	P041505	204-8-10	O-ring 107×2	1
		11	P041506	204-8-11	O-ring 7×1.7	1
		12	P041507	204-8-12	O-ring 6.5×1.9	2
		13	P041508	204-8-13	Screw M6×12	1
		14	P041509	204-8-14	Screw M6×14	2
		15	P041510	204-8-15	Bolt M6×28	1
		16	P041511	81906035	Bolt M6×35	2
		17	P041512	204-8-17	Washer	1
		18	P041513	204-8-18	Charge Coil	1
		19	P041514	204-8-19	Illumination	1
		20	P041515	204-8-20	luduced Coil	1
21	P041516	204-8-21	Neutral Indicator Set	1		
E-9 CRANKCASE AND OIL PUMP		POS.	PART NO	ERP CODE	ENGLISH NAME	QTY
		A	TS0018		Complete Assembly	
		1	P041517	204A020	Crankcase Sub-Assy,RH	1
		2	P041518	E04B002	Gasket,Crankcase	1
		3	P041519	2041A010	Crabkcase Sub-Assy,LH	1
		4	P041520	204-9-4	Oil pump	1
		5	P041521	204-9-5	Gasket,Oil pump	1
		6	P041522	204-9-6	Bobyl,oil pump	1
		7	P041523	204-9-7	Cover,oil pump	1
		8	P041524	204-9-8	Gasket,Oil pump cover	1
		9	P041525	204-9-9	Inner roater	1
		10	P041526	204-9-10	Outer roater	1
		11	P041527	204-9-11	Shaft	1
		12	P041528	204-9-12	Sleeve	1
		13	P041529	204-9-13	Sleeve,Sprocket	1
		14	P041530	D00C037	Filter set	1
		15	P041531	D00L013	Air pipe	1
		16	P041532	D00L039	Pipe Clamp	1
		17	P041533	204M001	Bolt A,Cylinder	2
		18	P041534	204M002	Bolt B,Cylinder	2
		19	P041535	204-9-19	Washer	1
		20	P041536	97010014	Dowel pin 10×14	2
		21	P041537	D00C026	Oil seal 11.6×24×10	1
		22	P041538	D00E026	Drain plug	1
		23	P041539	81906016	Screw M6×16	2
		24	P041540	204-9-24	Screw M6×22	1
		25	P041541	204-9-25	Screw M5×10	3
		26	P041542	96006050	Bolt M6×50	1
		27	P041543	96006060	Bolt M6×60	2
		28	P041544	96006065	Bolt M6×65	4
29	P041545	D00L014	Clamp	1		
E-10 CRANKSHAFT AND PISTON		POS.	PART NO	ERP CODE	ENGLISH NAME	QTY
		A	TS0019		Complete Assembly	
		1	P041546	2043J000	Crankshaft & Connecting Rod	1
		2	P041547	204J013	Piston Ring Set	1
		3	P041548	204J014	Piston	1
		4	P041549	204J012	Piston Pin	1
		5	P041550	204-10-5	Cirelip,Piston Pin	2
		6	P041551	204-10-6	Connecting Rod	1
		7	P041552	204-10-7	Crankshaft,RH	1
		8	P041553	204-10-8	Crankshaft,LH	1
		9	P041554	204-10-9	Pin,Crankshaft	1
		10	P041555	204-10-10	Drive Sprocket,Timing(16T)	1
		11	P041556	204-10-11	Woodruff Key	1
		12	P041557	204-10-12	Bearing 6304	2
		13	P041558	204-10-13	Bearing	1
		14	P041559	204-10-14	Piston Ring(I)	1
		15	P041560	204-10-15	Piston Ring(II)	1
		16	P041561	204-10-16	Oil ring,3-piece	1
		17	P041562	204-10-17	Oil pump Driving Gear	1
18	P041563	204-10-18	Set pin	1		

E-11 TRANSMISSION SHAFT		POS.	PART NO	ERP CODE	ENGLISH NAME	QTY
 <p>A - Assembly</p>	A	TS0020			Complete Assembly	
	1	P041564	204-11-1		MAIN SHAFT	1
	2	P041565	204-11-2		COUNTER SHAFT	1
	3	P041566	204-11-3		C-1 GEAR	1
	4	P041567	204-11-4		BUSH 20×9	1
	5	P041568	204-11-5		M-2 GEAR	1
	6	P041569	204-11-6		C-2 GEAR	1
	7	P041570	204-11-7		M-3 GEAR	1
	8	P041571	204-11-8		C-3 GEAR	1
	9	P041572	204-11-9		M-4 GEAR	1
	10	P041573	204-11-10		C-4 GEAR	1
	11	P041574	D001K014		DRIVE SPROCKET 14T	1
	12	P041575	204-11-12		DRIVE SPROCKET FIXING PLATE	1
	13	P041576	204-11-13		Washer (No.1)	1
	14	P041577	204-11-14		Washer (No.1)	1
	15	P041578	204-11-15		Washer (No.2)	1
	16	P041579	204-11-16		Washer	3
	17	P041580	204-11-17		SPLINE WASHER	1
	18	P041581	204-11-18		Circlret	4
	19	P041582	D001C008		Oil Seal 17×29×5	1
	20	P041583	578306008		Bolt M6×8	2
	21	P041584	2766203		Bearing 6203	2
	22	P041585	204-11-22		Needle Bearing NK13.5/2	1
	23	P041586	204-11-23		Needle Bearing NK14/2	1
	24	P041587	204K030		Main Shaft Assy	1
25	P041588	204K040		Countershaft Assy	1	
E-12 START DEVICE		POS.	PART NO	ERP CODE	ENGLISH NAME	QTY
 <p>A - Assembly</p>	A	TS0021			Complete Assembly	
	1	P041589	D001I000		Starting Shaft Assy	1
	2	P041590	204-12-2		KICK STARTER SPOINDLE	1
	3	P041591	204-12-3		PINION KICK STARTER	1
	4	P041592	204-12-4		Ratchet	1
	5	P041593	204-12-5		WASHER 17MM	1
	6	P041594	204-12-6		Spring	1
	7	P041595	204-12-7		KICK SPRING RETAINER	1
	8	P041596	204-12-8		KICK STARTER SPRING	1
	9	P041597	204-12-9		Spring Seat	1
	10	P041598	204-12-10		Guide	1
	11	P041599	204-12-11		THRUST WASHER 20MM	1
	12	P041600	204-12-12		SER RING 20MM	2
	13	P041601	204-12-13		EXTERNAL CIRCLIP 16MM	1
	14	P041602	204-12-14		Kick-pedal Assy	1
	15	P041603	204-12-15		Bolt M6×20	1
	16	P041604	204-12-16		Kick-edal	1
	17	P041605	204-12-17		Rubber Boot	1
18	P041606	204-12-18		Bolt M6×20	2	
E-13 GEAR SHIFTING DEVICE		POS.	PART NO	ERP CODE	ENGLISH NAME	QTY
 <p>A - Assembly</p>	A	TS0022			Complete Assembly	
	1	P041607	C03K000		Gearshift Shaft Assy	1
	2	P041608	204-13-2		Shaft,Gearshift	1
	3	P041609	204-13-3		Shifter Set	1
	4	P041610	204-13-4		Shifter,Secondary	1
	5	P041611	204-13-5		Shifter	1
	6	P041612	204-13-6		Spring,Shifter	1
	7	P041613	204-13-7		Back Spring,Gearshift Shaft	1
	8	P041614	204-13-8		Guide Sleeve	1
	9	P041615	D00K024		Shift Return Spring Pin	1
	10	P041616	81906030		Bolt M6×30	1
	11	P041617	D091K060		Drum Set,Gearshift	1
	12	P041618	204-13-12		Gear Shift Drum	1
	13	P041619	204-13-13		Pin	5
	14	P041620	204-13-14		Pressing Plate,Gearshift Indicator	1
	15	P041621	81906016		Bolt M6×16	1
	16	P041622	204K070		Locating Plate	1
	17	P041623	204-13-17		Screw	1
	18	P041624	D001H009		Torque Spring	1
	19	P041625	204-13-19		Fork(II)	2
	20	P041626	204-13-20		Guide pin	2
	21	P041627	204-13-21		Circlip	2
	22	P041628	204-13-22		Shift Lever As	1
	23	P041629	204-13-23		Boot,Shift Lever	1
	24	P041630	204-13-24		shift lever Weldment	1
	25	P041631	204-13-25		Contact Plate	1
	26	P041632	204-13-26		Bolt M6×16	1
	27	P041633	204-13-27		Oil Seal	1
28	P041634	204-13-28		Spring Washer 6	1	