



Create **IDEAL** Planting Strips  
with **CONSISTENT** Tillage Depth!

# RAPTOR<sup>™</sup>

## STRIP-TILLAGE TOOL

Models 2030 and 2015 • ST/LT/DT Pull-Type and MT 3-Point Frames



**SEEDBED TILLAGE**

**Unverferth  
Mfg. Co., Inc.**  
P.O. Box 357  
Kalida, OH 45853  
[unverferth.com](http://unverferth.com) | 419.532.3121



# UNVERFERTH RAPTOR

STRIP-TILLAGE TOOL

## STRIP-TILLAGE INTRODUCTION

The Unverferth Raptor™ strip-tillage tool was built for growers looking to take advantage of the cost-savings and yield benefits strip-tillage can provide. With less surface soil disturbance, strip-tillage retains organic material, reduces erosion and conserves fuel by only tilling the strip that is planted into. The innovative folding design provides a narrow transport width so you can easily travel from field to field. The ground-breaking TerrainPro™ row unit features the most consistent tillage depth and fertilizer placement from row to row for a ready-to-plant seedbed. Each row unit travels up and down independently from the others to follow field contours across the entire machine. The Raptor is available as a 16- or 12-row pull-type machine with dry (DT Models), liquid (LT Models) or no fertilizer (ST Models) and also as a 3-point (MT Models) tool with 12, 8 or 6 rows.



MODEL 2030DT PULL-TYPE

## ALL-IN-ONE SOLUTION

The Raptor strip-tillage tool provides an all-in-one solution for banding dry or liquid fertilizer! With custom-designed fertilizer systems developed by Unverferth, this is the ideal partner for delivering early-season fertility to your fields for boosting crop yields. The fertilizer tank is located behind the toolbar for enhanced operator visibility of the TerrainPro row units and for easier filling.



MODEL 2030LT PULL-TYPE

# TOOLBAR FEATURES

## PULL-TYPE TOOLBAR

- Pull-type models are available with a 16- or 12-row frame on 30" spacing
- The heavy-duty 7" x 7" toolbar provides reliable operation and the standard front-folding design with vertical folding row units provide a narrow transport width for easy road travel
- 15° of above and 5° of below horizontal wing flex allow the toolbar to follow uneven terrain
- Wing gauge wheels feature stubble-guard tires for added stability and durability in the field
- The standard hydraulic jack permits easy storage while the CAT 4 Bull-Pull hitch, transport chains and LED lighting provide safer road travel
- ST Models — 2030ST and 2015ST pull-type models without a fertilizer system are standard with 380/90x46 single wheels and tires



**MODEL  
2030ST**

## 3-POINT TOOLBAR

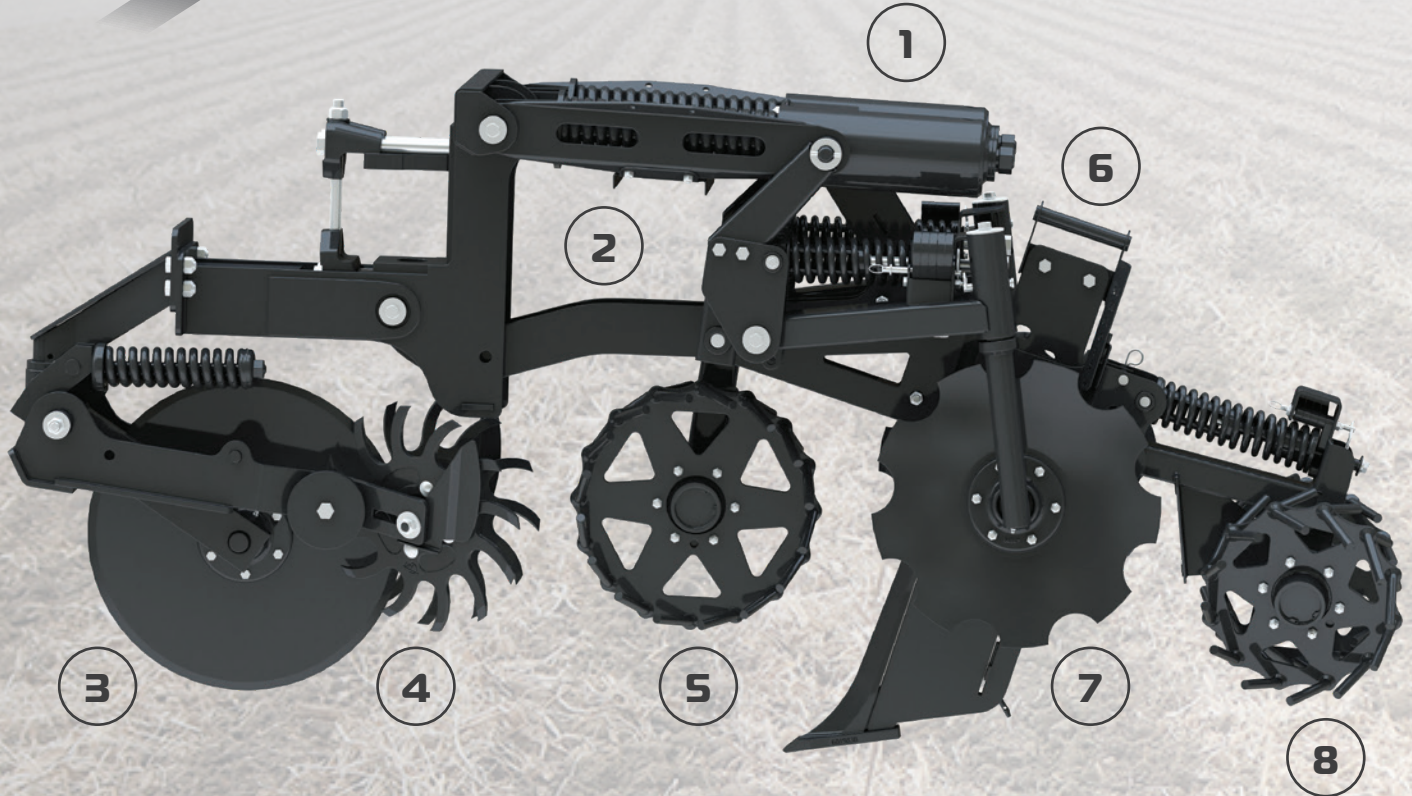
- 2030MT and 2015MT 3-Point models are available with a 12-, 8- or 6-row frame on 30", 36" and 38" spacings
- Heavy-duty double wall frame with 6" x 6" rear mounting bar for maximum durability
- Toolbar stabilizer wheels provide added stability in the field and the tool-free adjustment permits quick and easy toolbar height adjustment
- 3-Point hitch design provides compact storage and greater maneuverability in the field
- Optional flex frame kit for 12-row 36" and 38" models allows the wings to float 15° above and 5° below horizontal to follow field contour
- Optional fertilizer shank attachments for delivering dry or liquid fertilizer
- Optional rear hitch features length and height adjustment and can tow up to 14,000 lbs. gross vehicle weight and 1,000 lbs. of tongue weight



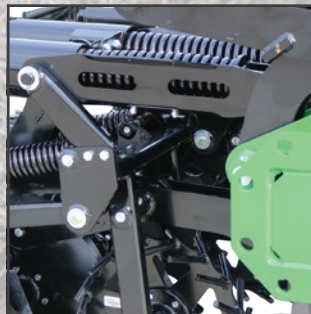
**MODEL  
2015MT**



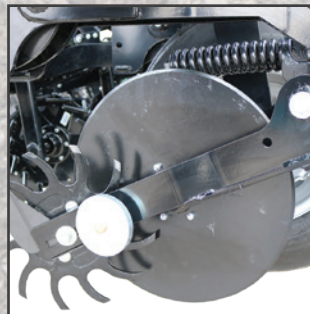
# TerrainPro ROW UNIT



AUTO-RESET SHANK



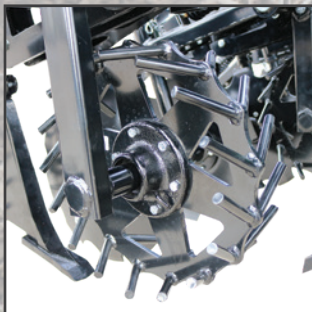
PARALLEL ARM MOUNTING



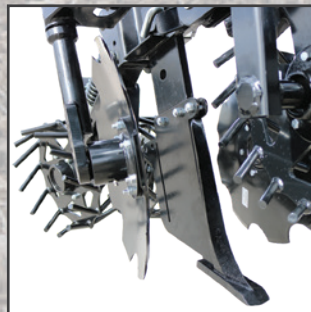
LEAD COULTER SYSTEM



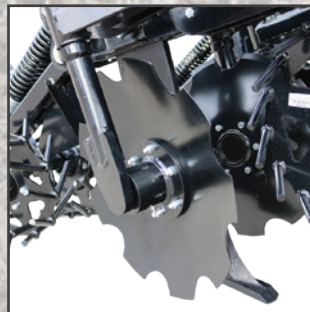
FLOATING ROW CLEANERS



DEPTH CONTROL WHEEL



STRIP-TILL SHANK



CLOSING COULTER SYSTEM



CONDITIONING BASKETS

# TerrainPro FEATURES

- 1** Choose from Model 2030 with a spring-cushioned auto-reset shank trip mechanism that features 2,000 lbs. of point load pressure or Model 2015 with a shear-bolt protected shank with 5,000 lbs. of shear pressure
- 2** Each row unit features independent parallel linkage to free-float and follow field contours to ensure each shank runs at a consistent tillage depth from row to row
  - 7" of upward travel and 4" of downward travel
- 3** Lead coulter with 20" straight blade slices through residue to clear a path for the shank
  - 1,500 lbs. of down pressure
  - 6-bolt greaseable hub with 5 layers of seal protection
- 4** Free-floating row cleaners follow ground contours and clear residue from the strip
  - 15" diameter curved finger wheel design prevents trash from wrapping
  - Width adjustable to adapt the row cleaner to varying conditions
  - 4-bolt hubs with triple-lip seals and tapered roller bearings for added protection
  - Standard add-on weights allow the operator to increase down pressure
- 5** Independent row unit depth is maintained by the crowfoot depth control wheel for the most consistent shank depth from row to row
  - 16" diameter crowfoot wheel prevents mud, rocks and other debris from building up
  - Optional rock guard crowfoot wheel with reinforcing rings adds strength in rocky soils
  - Optional rubber depth control wheels with standard scrapers for extremely rocky and tacky soils
- 6** Shank features tool-free height adjustment and can till from 6" to 12" deep to alleviate compaction
  - Convenient depth gauge on each row allows the operator to quickly and conveniently adjust each shank to the same depth
  - Replaceable 2 ¼" cast point and 1 ½" wide integrated wear bar provides long-term, trouble-free use
  - Replaceable shank wear plates are standard to protect the sides of the shank in abrasive soils
- 7** Closing coulters with 18" notched and concave blades keep the soil in the path of the trailing basket for enhanced soil conditioning
  - Each coulter floats independently from the other to keep constant ground contact through uneven ground
  - Tool-free adjustable spring down pressure combined with width and angle adjustments allow the operator to control the amount of soil being sent into the strip
  - 6-bolt hubs with triple-lip seals for maximum durability
- 8** 14" diameter crowfoot conditioning baskets break up clods, conditions the strip and features a unique design where the fingers move closer together when contacting the ground to condition the soil and then separate at the top to wick away build up
  - Tool-free adjustable down pressure for increased or decreased soil conditioning
  - Optional 15" conventional Rolling Harrow basket for increased tillage
  - Optional 15" rubber press wheel for increased firming available in lieu of the crowfoot basket
  - Optional 6" extension kit for the rear basket for added clearance in rocky conditions



# FERTILIZER SYSTEMS

## FERTILIZER APPLICATION

If you're looking to maximize crop yield, reduce your input costs and place the nutrients right where the plant needs them, adding a dry or liquid fertilizer system to your strip-tillage operation is the right move. Unverferth is proud to offer an innovative strip-tillage tool and fertilizer application system for an all-in-one solution that can be integrated together directly from one company.

Both the dry and liquid fertilizer systems are located behind the tool bar, which gives the operator better visibility of the row units when running in the field and also permits easy filling of the tank from behind the machine.

## DRY FERTILIZER SYSTEM – MODELS 2030DT AND 201SDT

- High-flotation 380/90x46 dual wheels and tires where the inner set of tires are on 60" centers for increased flotation and added transport stability.
- 12-ton total capacity with dual, 6-ton custom-molded poly tanks for applying 1 or 2 different products at the same time, each with variable rate.
- Raven RCM ISOBUS controller for viewing and controlling the system from the tractor's ISOBUS virtual terminal screen. This integrates with section control and pre-loaded field prescriptions.
- Standard scale package integrates with the ISOBUS controller for accurately tracking the amount of dry product applied and permits convenient rate calibration.
- Blockage monitors alert the operator when a row unit is plugged, 2-section control for each product, hydraulically powered high-output blower fan and 2" dry fertilizer plumbing hose.
- Ergonomic ladder and platform for easy access to the top of the tanks where there are LED spotlights for easier nighttime operation and weather-tight lids for protecting the dry product.



# DRY OR LIQUID FERTILIZER

## LIQUID FERTILIZER SYSTEM — MODELS 2030LT AND 2015LT

- High-flotation 380/90x46 dual wheels and tires where the inner set of tires are on 60" centers for increased flotation and added transport stability.
- Custom-molded 1,200 gallon tank with 3" quick fill features a T-shaped design that holds the last 50 gallons of liquid in the sump to always maintain a primed pump, even on side hills.
- Raven RCM ISOBUS controller for viewing and controlling the system from the tractor's ISOBUS virtual terminal screen that integrates with section control and pre-loaded field prescriptions.
- Stainless steel baffle inside the tank prevents the liquid from shifting back and forth abruptly, and the standard manual tank agitation valve keeps the liquid in proper suspension.
- Standard flow-ball monitors allow the operator to quickly and conveniently check the flow to each row.
- The liquid fertilizer system is powered by a hydraulically operated Ace 750 PWM pump, and the tool bar plumbing features 4-section control for added application versatility.
- Optional Ace 755 stainless steel PWM pump in lieu of the standard pump provides added durability.
- Optional chemical inductor system lowers to the ground for easily adding micronutrients or stabilizer to the main tank.



STAINLESS STEEL BAFFLE



FLOW BALL MONITOR



## Unverferth Raptor™ Strip-Tillage Tool Specifications

### Pull-Type Raptor Specifications

Model	2030DT	2015DT	2030LT	2015LT	2030ST	2015ST	
Fertilizer Attachment	Dry Fertilizer Cart		Liquid Fertilizer Cart		No Fertilizer		
Trip Mechanism	Auto-Reset	Shear-Bolt	Auto-Reset	Shear-Bolt	Auto-Reset	Shear-Bolt	
Hitch	CAT 4 Bull-Pull						
Size	16-Row / 12-Row						
Row Spacing	30"						
Wing Flex Up	15°						
Wing Flex Down	5°						
Transport Width	13' 6"						
Transport Height	11' 10"		10' 4"		10' 4"		
Transport Length	44' 10"		44' 4"		38' 4"		
Hitch to Center of Axle (Tires)	35' 2"						
Approx. Empty Weight	16-Row	35,500 lbs	33,200 lbs	33,680 lbs	31,375 lbs	28,660 lbs	26,355 lbs
	12-Row	31,825 lbs	30,040 lbs	30,005 lbs	28,215 lbs	24,985 lbs	23,195 lbs
Approx. Empty Tongue Weight	16-Row	13,560 lbs	12,410 lbs	13,745 lbs	12,590 lbs	14,245 lbs	13,095 lbs
	12-Row	11,725 lbs	10,830 lbs	11,520 lbs	11,010 lbs	12,410 lbs	11,515 lbs
Approx. Loaded Tongue Weight	16-Row	11,160 lbs	10,010 lbs	12,470 lbs	11,320 lbs	—	
	12-Row	10,280 lbs	9,385 lbs	10,440 lbs	9,925 lbs	—	
Minimum H.P. Requirements (*30-35 HP Per Shank)	480* / 360*						

### 3-Point Raptor Specifications

Model	2030MT	2015MT	2030MT	2015MT	2030MT	2015MT
Trip Mechanism	Auto-Reset	Shear-Bolt	Auto-Reset	Shear-Bolt	Auto-Reset	Shear-Bolt
Hitch	3-Point CAT 3 and CAT 4 Narrow					
Size	12-Row		8-Row		6-Row	
Row Spacing	30"/36"/38"					
Transport Width	14' 7"		14' 7"		17' 1"	
Approx. Empty Weight	14,305 lbs	12,575 lbs	10,125 lbs	8,975 lbs	6,870 lbs	6,005 lbs
Minimum H.P. Requirements (*30-35 HP Per Shank)	360*		240*		180*	

Due to continuing improvements in the design and manufacture of Unverferth products, all specifications contained herein are subject to change without notice.



See your nearest Unverferth Raptor strip-tillage dealer today for complete details, or check our website at [umequip.com](http://umequip.com).

**Unverferth**  
Manufacturing Company, Inc.

© 2021 Unverferth Manufacturing Co., Inc.  
Printed in U.S.A.

12104005M2

P.O. Box 357 | Kalida, OH 45853 | [unverferth.com](http://unverferth.com) | 419.532.3121

®™ Trademarks, registered or applied for, of Unverferth Manufacturing Co., Inc., Kalida, OH

Additional facilities in California, Georgia, Iowa, Nebraska, North Dakota, Oregon, Texas,  
Ontario and Saskatchewan, Canada