

Arbus 270

English version

EDITION - 10/2015

CODE - 0

Parts catalog



MAQUINAS AGRICOLAS JACTO S/A

Rua Dr. Luiz Miranda, 1650 - Pirajá

17580-000 - Pompéia - SP

Tel.: (014) 3405 2100

jacto@jacto.com.br

www.jacto.com

ARBUS 270

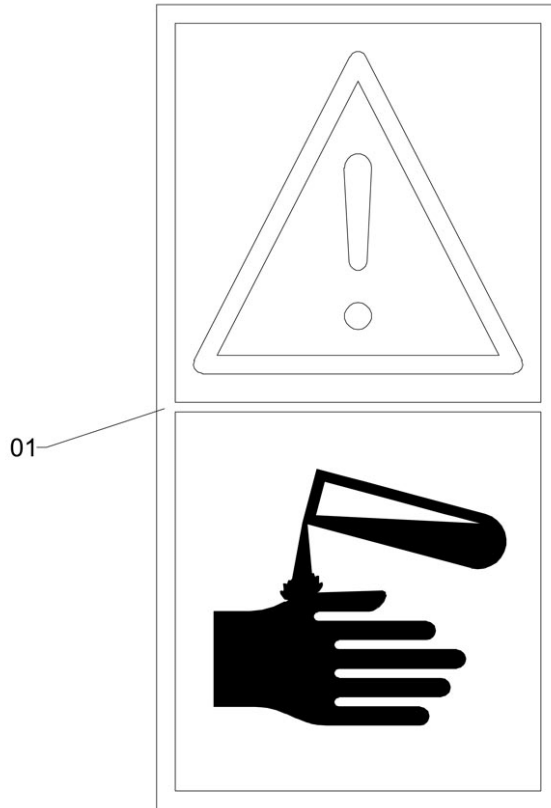
EQUIPMENT	PAGE
Arbus 270.....	4

Arbus 270

(Edition: 2015/10)

ENTIRE ASSEMBLIES	PAGE
ACCESSORIES BOX	
15-LITER TANK ASSEMBLY	56
ACCESSORY BOX	18
ASSEMBLY - COMBINATION WRENCH + SCREW WRENCH (FOR EXPORT)	61
DRIVE SHAFT SUPPORT	58
EJECTOR - 40 L/MIN WITHOUT HOSE	16
EJECTOR FOR 40 L/MIN (10-METER HOSE)	57
EJECTOR FOR 40 L/MIN (5-METER HOSE)	62
HOSE - Ø 3/8" X 1000 - ASSEMBLY	60
HOSE Ø 3/8" X 5000 - ASSEMBLY	59
CHASSIS AND COMPLEMENTS	
CHASSIS AND COMPLEMENTS	24
COMPLEMENTS (ARBUS 270)	25
OPTIONAL ITEMS	
CITRUS GUN KIT (OPTIONAL FOR ARBUS)	69
DISK SET	68
HOSE - SPRAY GUN / CONTROL	67
SPRAY GUN FOR CITRUS	66
PTO SHAFT Y COMPLEMENTS	
CONVENTIONAL DRIVE SHAFT - 510 102 Z =6 X Ø30	54
CONVENTIONAL DRIVE SHAFT - 510 102 Z= 8 X Ø30	55
SPRAY APPLICATION ASSEMBLY	
2-WAY VALVE (MODEL C)	26
APPLICATION ASSEMBLY (BRANCH 6 VALVE / 12 NOZZLES / BIJET)	6
APPLICATION ASSEMBLY (BRANCH 6 VALVE / 12 NOZZLES)	8
BIJET NOZZLE HOLDER	28
BRANCH ASSEMBLY	32
GUARD SCREEN - ASSEMBLY	38
LEFT LOWER DEFLECTOR	35
LEFT NOZZLE BRANCH ASSEMBLY FOR 6 NOZZLES	27
LEFT NOZZLE BRANCH ASSEMBLY FOR 6 NOZZLES	36
MOVABLE DEFLECTOR	31
NOZZLE BRANCH ASSEMBLY FOR 7 NOZZLES	39
ONE-SIDE DEFLECTOR WITH DOUBLE NOZZLE	10
ONE-SIDED DEFLECTOR	30
RIGHT NOZZLE BRANCH ASSEMBLY FOR 6 NOZZLES	37
RIGHT NOZZLE BRANCH ASSEMBLY FOR 6 NOZZLES	29
RIGHT UPPER DEFLECTOR	34
SIDE PROTECTION GRID ASSEMBLY	33
VALVE ASSEMBLY	40
SPRAYING CIRCUIT AND COMPLEMENTS	
4-WAY VALVE - MODEL C	51
CHEMICAL CIRCUIT	12
CHEMICAL CONTAINER CLEANING NOZZLE - NR 8	45
CHEMICAL CONTAINER CLEANING NOZZLE ROD	41
CONTROL "8"	49
HOSE - CHEMICAL CONTAINER CLEANING NOZZLE	48
HOSE - FILTER / PUMP	43
HOSE - PUMP / CONTROL	42
JP-50 PUMP	14
LID WITH BREATHER	52
PRESSURE REGULATOR WITH QUICK RELIEF	50
RINSE NOZZLE	46
SUCTION FILTER WITH VALVE FOR 100 L/MIN	44
VALVE - CONTAINER CLEANING NOZZLE	47
VALVE FOR PUMP - Ø 18	53
STICKERS	
STICKER - ARBUS 270	22
STICKER - BE CAREFUL WHEN OPENING THE TANK LID	70
STICKER (HAZARDOUS SUBSTANCES)	5
TRANSMISSION AND COMPLEMENTS	
DRIVEN TRANSMISSION	20
FAN BEARING HOUSING WITH PULLEY - 80 3V	64
FAN WITH PLASTIC BLADES	65
SPLINED HUB WITH HITCH	63

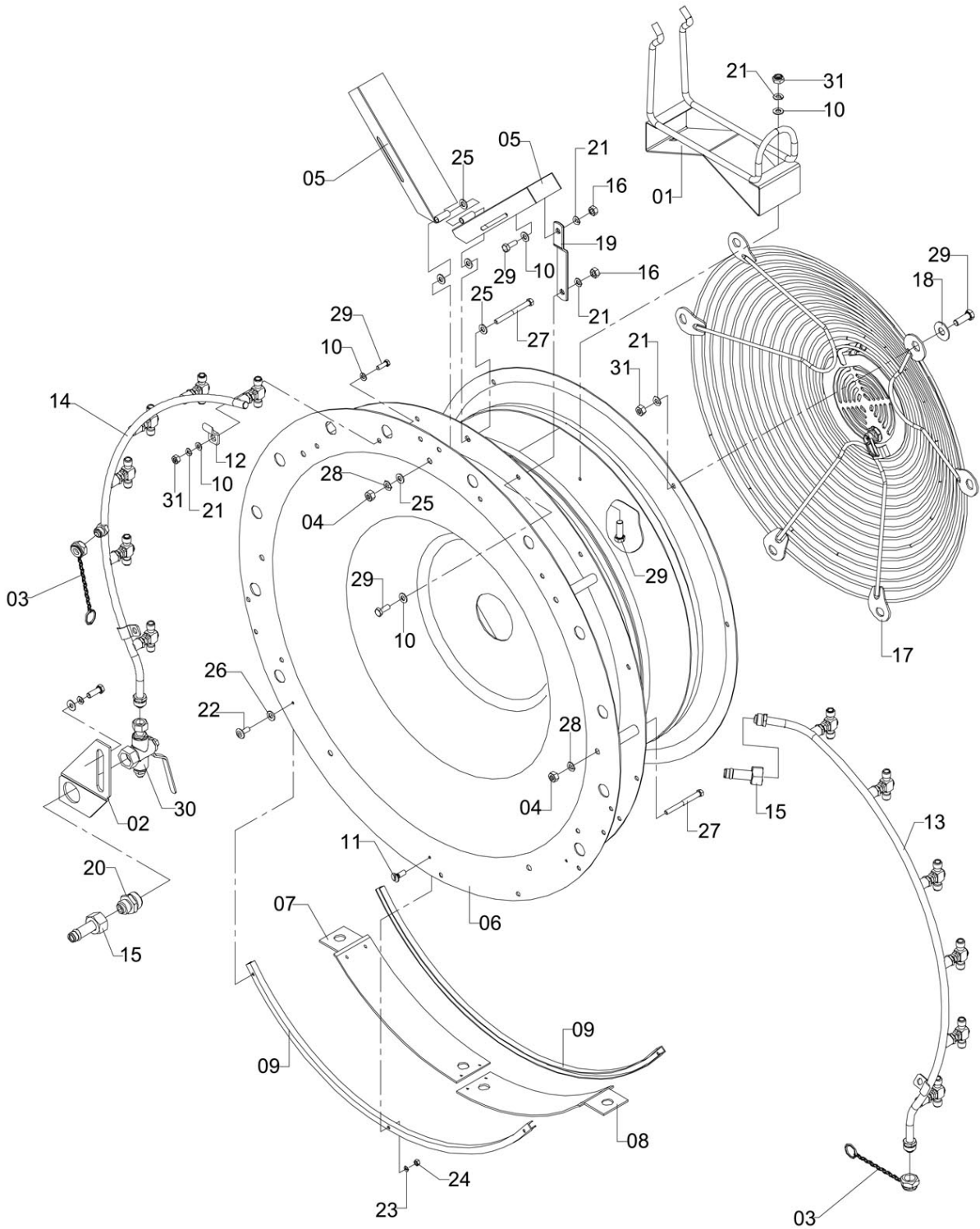
STICKER (HAZARDOUS SUBSTANCES)



ADS-201

Item	CODE	DESCRIPTION	Qty.	Item	CODE	DESCRIPTION	Qty.
00	1163706	Sticker (Hazardous substances)	1				
01	1163706	Sticker - Hazardous substances	1				

APPLICATION ASSEMBLY (BRANCH 6 VALVE / 12 NOZZLES / BIJET)



CA-283

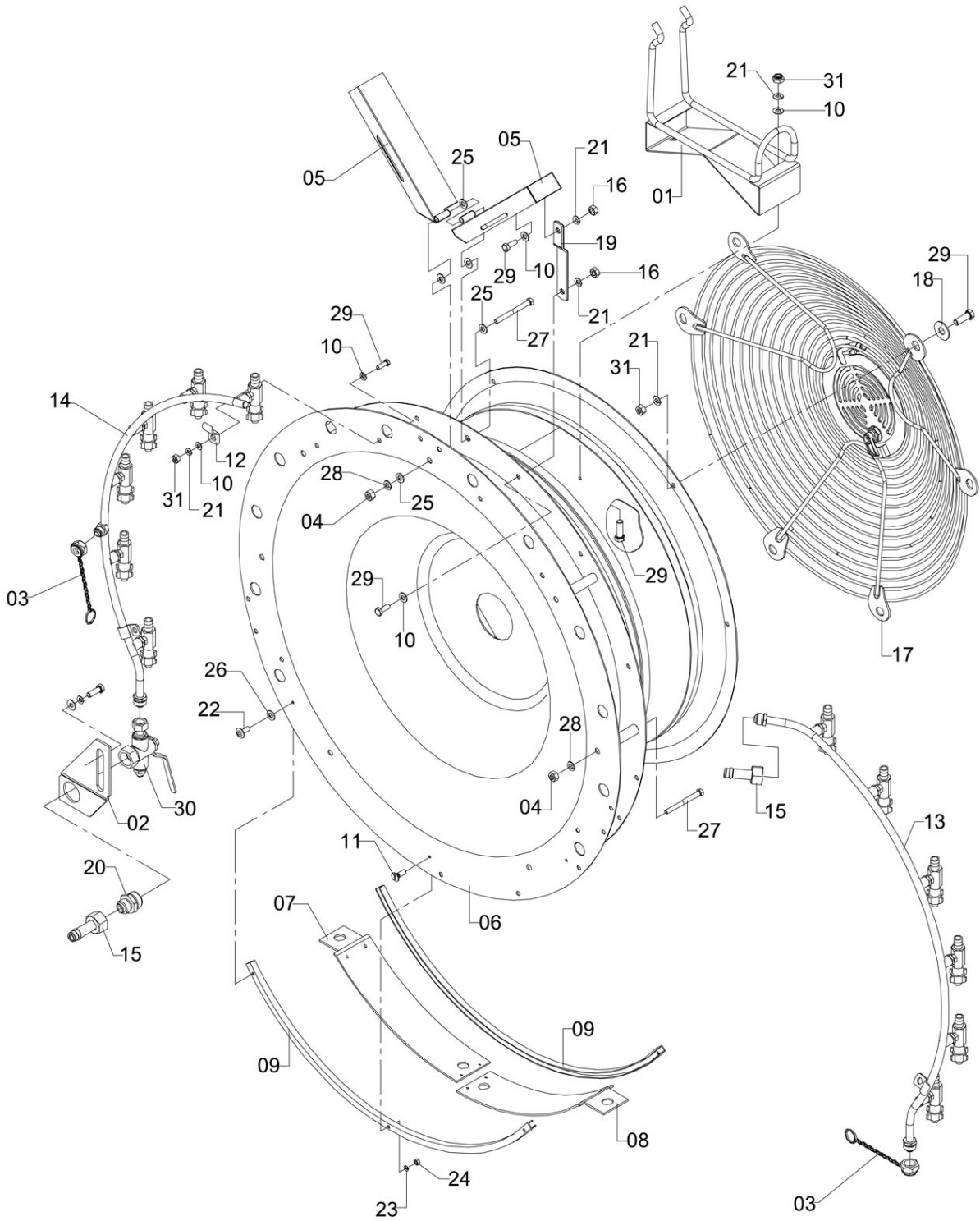
APPLICATION ASSEMBLY (BRANCH 6 VALVE / 12 NOZZLES / BIJET)

Continuation

Item	CODE	DESCRIPTION	Qty.	Item	CODE	DESCRIPTION	Qty.
00	554386	Application Assembly (Branch 6 valve / 12 nozzles / Bijet)	1				
01	133314	12-liter tank support	1				
02	220855	Right support	1				
03	222521	Plug with ring and chain	2				
04	518761	Hex nut - \varnothing 3/8"	5				
05	222554	Adjustable flap	2				
06	222588	Deflector	1				
07	222596	Right upper deflector	1				
08	222612	Left lower deflector	1				
09	222638	Channel	2				
10	013433	Flat washer - \varnothing 8.4 x \varnothing 16 x 1.6 steel	16				
11	222752	Slotted screw - M-4 x 12 x 0.7	2				
12	328195	Nozzle tube Half clamp	6				
13	393009	Left nozzle branch assembly for 6 nozzles	1				
14	392993	Right nozzle branch assembly for 6 nozzles	1				
15	413310	Hose fitting \varnothing 12.7 (1/2")	2				
16	107102	Hex nut - 5/16" x - 18 UNC	4				
17	434076	Guard screen - assembly	1				
18	420281	Flat washer - \varnothing 8.2 X \varnothing 35 X 3 - steel	6				
19	204610	Support body	2				
20	220848	Nipple - 3/4" BSP x 1/2" BSP	1				
21	519736	Locking washer - \varnothing 8	18				
22	519769	Rivet - Pop - \varnothing 4.0 x 10.2	4				
23	520700	Locking washer - \varnothing 4.3 x 7.1 x 1	2				
24	551523	Hex nut - M-4 x 0.7 - Stainless steel	2				
25	623884	Flat washer - \varnothing 10.5 x 21 x 3 - stainless steel	9				
26	979237	Flat washer - 5.3 x 10 x 1	4				
27	359778	Bolt - 3/8" - 16 UNC x 4.1/2"	7				
28	908566	Locking washer - 3/8"	7				
29	912667	Bolt - 5/16" x 18 UNC x 7/8	10				
30	220798	2-way valve (Model C)	1				
31	912758	Hex nut - 5/16"- 18 UNC	14				

Controlled copy – Distribution and reproduction prohibited

APPLICATION ASSEMBLY (BRANCH 6 VALVE / 12 NOZZLES)



CA-284

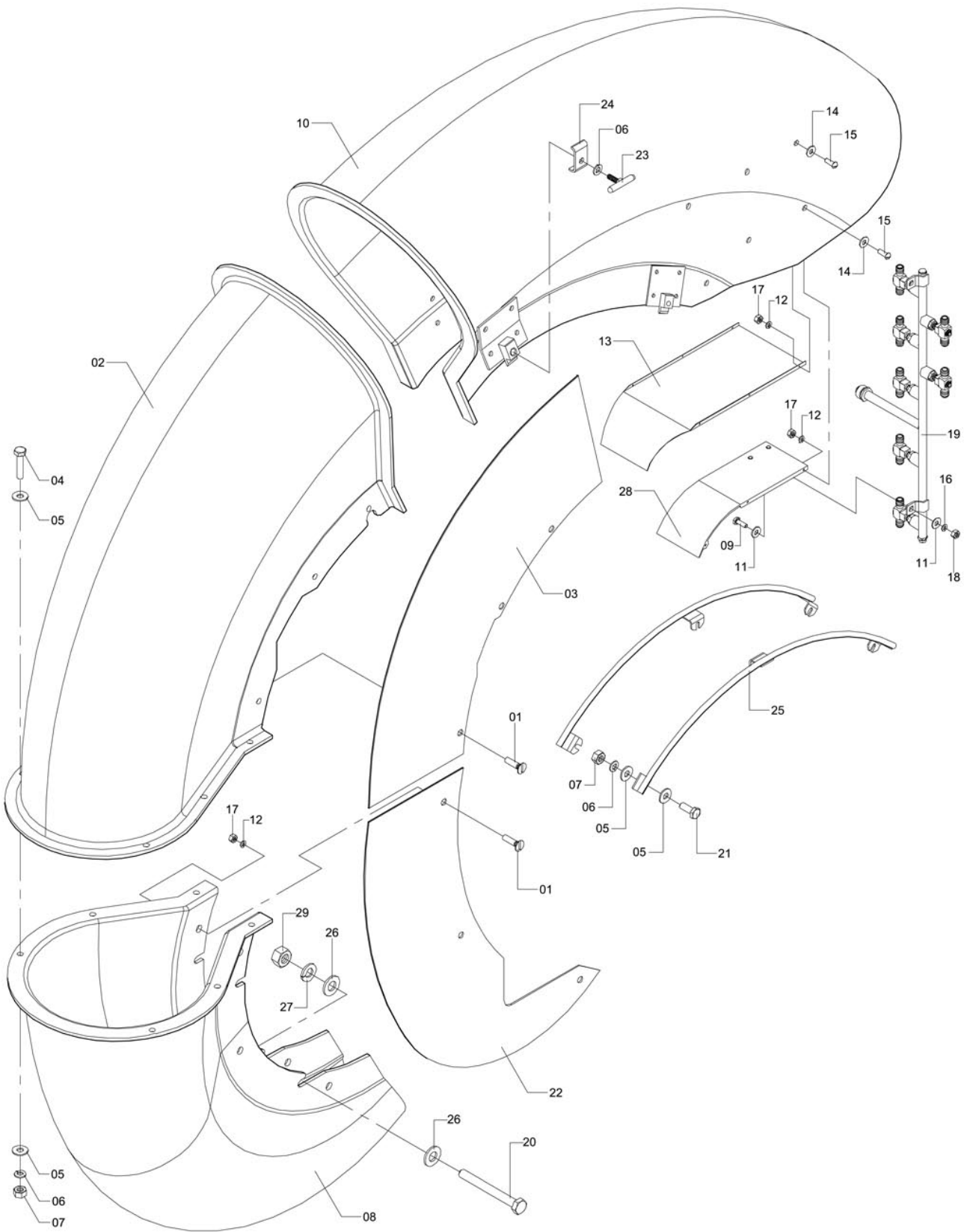
APPLICATION ASSEMBLY (BRANCH 6 VALVE / 12 NOZZLES)

Continuation

Item	CODE	DESCRIPTION	Qty.	Item	CODE	DESCRIPTION	Qty.
00	222703	Application Assembly (Branch 6 valve / 12 nozzles)	1				
01	133314	12-liter tank support	1				
02	220855	Right support	1				
03	222521	Plug with ring and chain	2				
04	518761	Hex nut - \varnothing 3/8"	5				
05	222554	Adjustable flap	2				
06	222588	Deflector	1				
07	222596	Right upper deflector	1				
08	222612	Left lower deflector	1				
09	222638	Channel	2				
10	013433	Flat washer - \varnothing 8.4 x \varnothing 16 x 1.6 steel	16				
11	222752	Slotted screw - M-4 x 12 x 0.7	2				
12	328195	Nozzle tube Half clamp	6				
13	392977	Left nozzle branch assembly for 6 nozzles	1				
14	392985	Right nozzle branch assembly for 6 nozzles	1				
15	413310	Hose fitting \varnothing 12.7 (1/2")	2				
16	107102	Hex nut - 5/16" x - 18 UNC	4				
17	434076	Guard screen - assembly	1				
18	507665	Flat washer - 82 x 506 x 30	6				
19	204610	Support body	2				
20	220848	Nipple - 3/4" BSP x 1/2" BSP	1				
21	519736	Locking washer - \varnothing 8	18				
22	519769	Rivet - Pop - \varnothing 4.0 x 10.2	4				
23	520700	Locking washer - \varnothing 4.3 x 7.1 x 1	2				
24	551523	Hex nut - M-4 x 0.7 - Stainless steel	2				
25	623884	Flat washer - \varnothing 10.5 x 21 x 3 - stainless steel	9				
26	416735	Flat washer 100 x 260 x 30	4				
27	222760	Hex bolt - 3/8" - 16 UNC x 5"	7				
28	908566	Locking washer - 3/8"	7				
29	912667	Bolt - 5/16" x 18 UNC x 7/8	10				
30	220798	2-way valve (Model C)	1				
31	912758	Hex nut - 5/16"- 18 UNC	14				

Controlled copy – Distribution and reproduction prohibited

ONE-SIDE DEFLECTOR WITH DOUBLE NOZZLE



DF-49

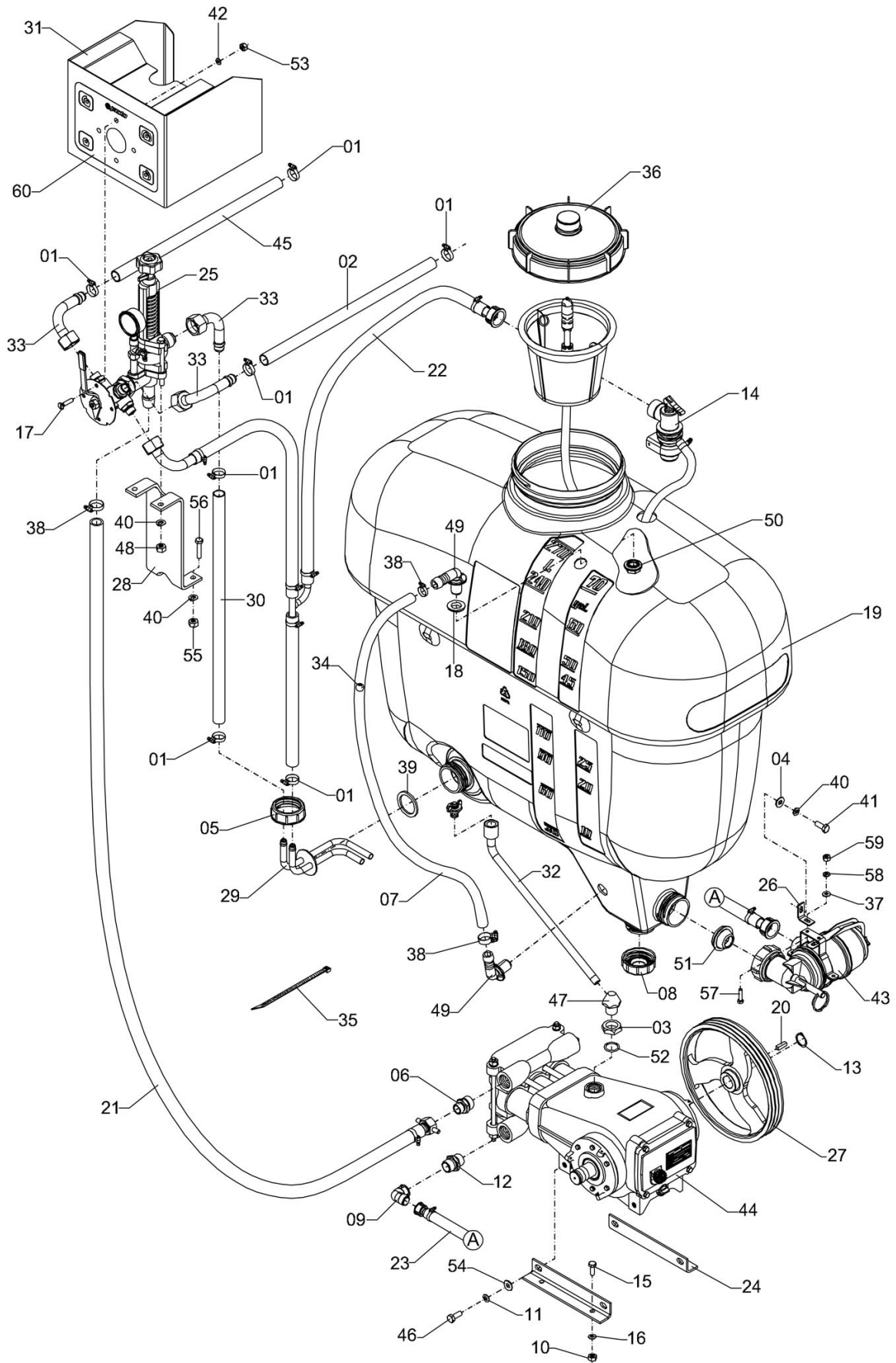
Controlled copy – Distribution and reproduction prohibited

ONE-SIDE DEFLECTOR WITH DOUBLE NOZZLE

Continuation

Item	CODE	DESCRIPTION	Qty.	Item	CODE	DESCRIPTION	Qty.
00	554410	One-side deflector with double nozzle	1				
01	074872	Slotted screw - UNC 3/16 X 5/8"	6				
02	220640	Upper deflector body	1				
03	222794	Vane - 256 x 690	1				
04	912667	Bolt - 5/16" x 18 UNC x 7/8	8				
05	013433	Flat washer - Ø8.4 x Ø16 x 1.6 steel	24				
06	519736	Locking washer - Ø8	18				
07	912758	Hex nut - 5/16"- 18 UNC	14				
08	220954	Lower deflector body	1				
09	910513	Bolt - ø 1/4" UNC x 3/4"	2				
10	220863	Movable deflector	1				
11	413468	Flat washer - ø 6.8 x 18 x 1.2 - treated steel	4				
12	520676	Locking washer - ø5	18				
13	220988	Directing vane	1				
14	501692	Flat washer - ø 5.3 x 15 x 1.2 - stainless steel	18				
15	907634	Bolt - 3/16" BSW x 5/8"	12				
16	910117	Locking washer - 1/4"	2				
17	912733	Hex nut - 3/16" UNC	18				
18	912741	Hex nut - 1/4"- 20 UNC	2				
19	502856	Nozzle branch assemblyfor 7 nozzles	1				
20	559575	Bolt - 3/8" x 5. 1/4"	2				
21	836502	Bolt - 5/16"- 18 UNC x 1"- 5 degree	6				
22	222802	Lower deflector - 290 x 260	1				
23	221028	Locking screw 5/16" ø 24 UNF	4				
24	221036	Clip	4				
25	220996	Moving volute support	2				
26	623884	Flat washer - ø 10.5 x 21 x 3 - stainless steel	4				
27	908566	Locking washer - 3/8"	2				
28	220962	Directing vane - 313	1				
29	518761	Hex nut - ø 3/8"	2				

CHEMICAL CIRCUIT



CD-1172

Controlled copy – Distribution and reproduction prohibited

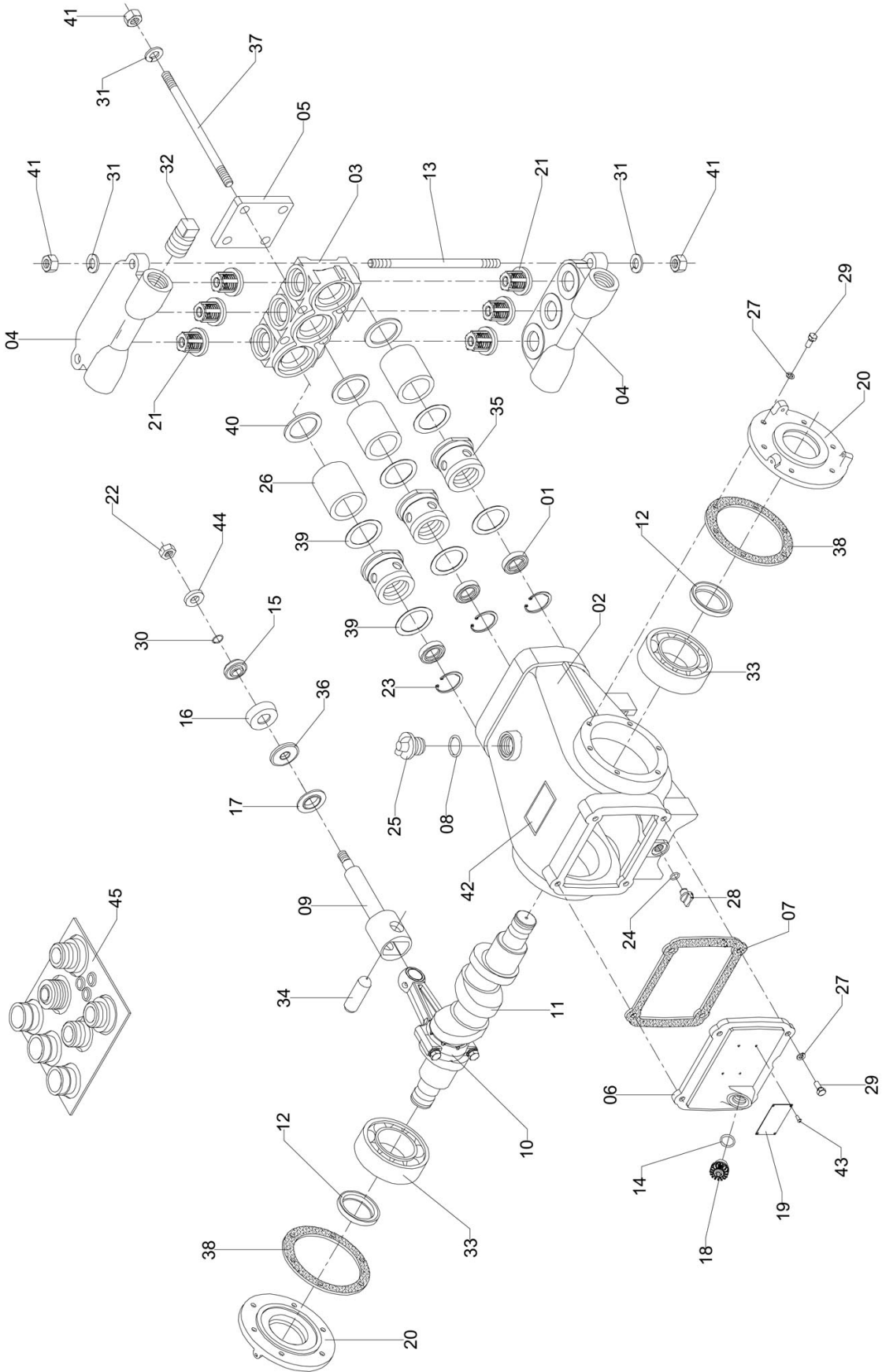
CHEMICAL CIRCUIT

Continuation

Item	CODE	DESCRIPTION	Qty.	Item	CODE	DESCRIPTION	Qty.
00	221408	Chemical circuit	1				
01	107664	Clamp D14-22 - stainless steel	7				
02	652768	Hose - 1/2" x 750	1				
03	715730	Hex lock nut - 3/4" BSP x 14 BSP	1				
04	013433	Flat washer - Ø8.4 x Ø16 x 1.6 steel	5				
05	809848	Locknut -	1				
06	814517	Reducer nipple - 1" BSP x 3/4" BSP	1				
07	1183878	Hose - 3/4" x 980	1				
08	900761	Drain cap ø 67	1				
09	902817	Male/female elbow ø 1" BSP x 90°	1				
10	908566	Locking washer - 3/8"	4				
11	908582	Locking washer - 1/2"	4				
12	910000	Nipple - 1" BSP	1				
13	910166	Snap ring for shaft	1				
14	136648	Chemical container cleaning nozzle - NR 8	1				
15	912709	Fully treaded bolt - 3/8" - 16 UNC x 1"	4				
16	518761	Hex nut - ø 3/8"	4				
17	913640	Slotted head bolt - ø 3/16" UNC x 1/2"	4				
18	973024	Seal - 36 x 21 x 6	2				
19	137265	270 - liter tank	1				
20	015305	Square key 5/16" x 30	2				
21	159780	Hose - Pump / Control	1				
22	159798	Hose - Chemical container cleaning nozzle	1				
23	159806	Hose - Filter / Pump	1				
24	204347	Pump support	2				
25	220632	Control "8"	1				
26	221416	Filter support	1				
27	221440	Pulley - 295-3-3V	1				
28	221457	Control support	1				
29	221481	Hydraulic agitator	1				
30	221580	Hose - 1/2" x 560	1				
31	221747	Control cowling	1				
32	221663	Oil filler unit extension	1				
33	317529	Elbow - 1/2" x 90°	3				
34	324764	Float ø 14	1				
35	326710	Cable tie - Insulok	1				
36	037374	Lid with breather	1				
37	413468	Flat washer - ø 6.8 x 18 x 1.2 - treated steel	1				
38	423814	Clamp D22-32 - stainless steel	3				
39	088245	Sealing ring	1				
40	519736	Locking washer - Ø8	9				
41	829374	Hex bolt - M8 x 20 x 1.25 - CL.8.8	1				
42	520676	Locking washer - ø5	4				
43	057992	Suction filter with valve for 100 L/min	1				
44	130864	JP-50 Pump	1				
45	606327	Hose - ø 1/2" x 1000 (supplied per meter)	1				
46	520205	Bolt - 1/2"- 13 UNC x 1.1/4"- 5 degree	4				
47	221721	Male fitting 3/4" - 14 BSP	1				
48	221648	Hex nut - M8 x 1.25 - Stainless steel	2				
49	428730	Elbow - 3/4" x 1/2" BSP -14 F.P.P.	2				
50	428748	Flanged nut 1/2" BSP -14 F.P.P.	2				
51	005934	Spring seat	1				
52	106955	Sealing ring - OR1-120	1				
53	912733	Hex nut - 3/16" UNC	4				
54	818112	Flat washer - Ø13 x 24 x 3 - steel	4				
55	912758	Hex nut - 5/16"- 18 UNC	2				
56	912667	Bolt - 5/16" x 18 UNC x 7/8	5				
57	810697	Hex head bolt - M6 x 1 x 20 - CL. 8.8	1				
58	521666	Locking washer - ø6 - steel	1				
59	730309	Hex nut - M6 x 1.00 - Stainless steel	1				
60	1209651	Sticker " Valve activation"	1				

Controlled copy – Distribution and reproduction prohibited

JP-50 PUMP



B-166

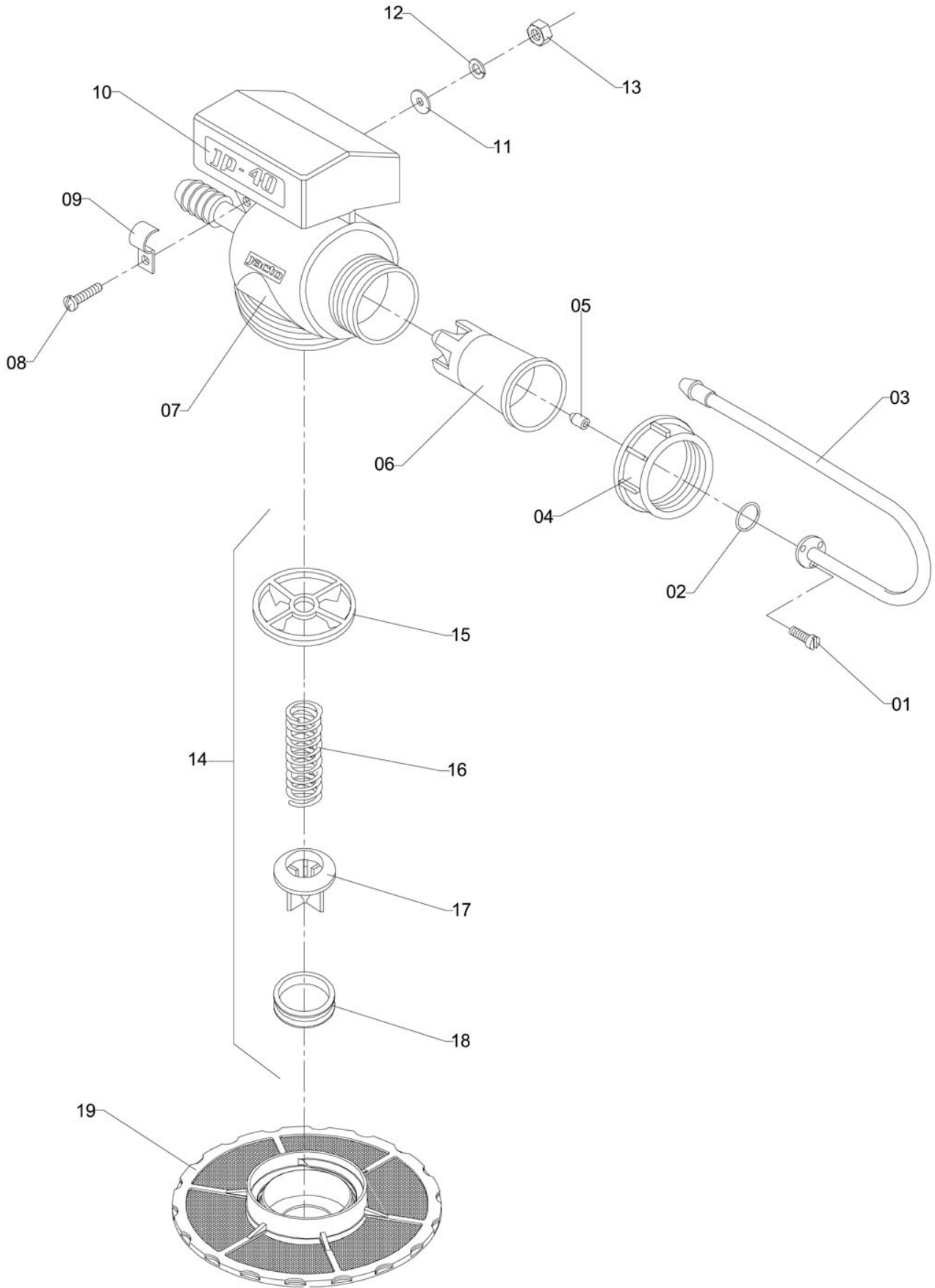
JP-50 PUMP

Continuation

Item	CODE	DESCRIPTION	Qty.	Item	CODE	DESCRIPTION	Qty.
00	130864	JP-50 Pump	1				
01	106922	Retainer - ø 22 x 35.2 x 7	3				
02	110247	Pump body	1				
03	110288	Pump head	1				
04	110304	Valve cover	2				
05	110320	Tightening plate	1				
06	110338	Pump cover	1				
07	110379	Gasket	1				
08	012724	Sealing ring - OR1-119	1				
09	012922	Rod guide	3				
10	130401	Connecting rod assembly	3				
11	130872	Crankshaft	1				
12	106930	Retainer	2				
13	130906	Stud bolt - 1/2"- 13 UNC x 200	2				
14	210146	Sealing ring - OR1-117	1				
15	211375	Piston	3				
16	211482	Piston	3				
17	211524	Scrapper ring	3				
18	213736	Plug - ø 1/2" BSP	1				
19	1159487	Identification plate - "Engraved"	1				
20	228395	Bearing flange	2				
21	261404	Valve for pump - ø 18	6				
22	324178	Nut - ø 1/4"- 20 UNF - Stainless steel	3				
23	107524	Snap ring for hole - ø 36	3				
24	325290	Sealing ring - OR1-112	1				
25	328542	Plug - 3/4" BSP	1				
26	423517	Ceramic sleeve	3				
27	519736	Locking washer - Ø8	16				
28	520775	Drain plug - 1/4" BSP	1				
29	663153	Bolt - 5/16" - 18 UNC x 3/4"	16				
30	901405	Sealing ring - ORI-014	3				
31	908582	Locking washer - 1/2"	8				
32	911305	Plug - ø 1" BSP	2				
33	107557	Bearing	2				
34	911677	Connecting rod shaft - ø 20 x 44.4	3				
35	911750	Sleeve guide - ø 35	3				
36	911842	Piston	3				
37	911974	Stud bolt - 1/2" - 13 UNC x 210	4				
38	912147	Seal	2				
39	912154	Gasket - ø 54 x 41.5 x 0.4	6				
40	912493	Seal JC 1/4" BSP	3				
41	912790	Hex nut - 1/2" - 13 UNC	8				
42	959957	Sticker - Keep oil level	1				
43	109587	Round head rivet	4				
44	911867	Flat washer	3				
45	217133	Gasket /Seal Repair Kit	1				

Controlled copy – Distribution and reproduction prohibited

EJECTOR - 40 L/MIN WITHOUT HOSE



A-52

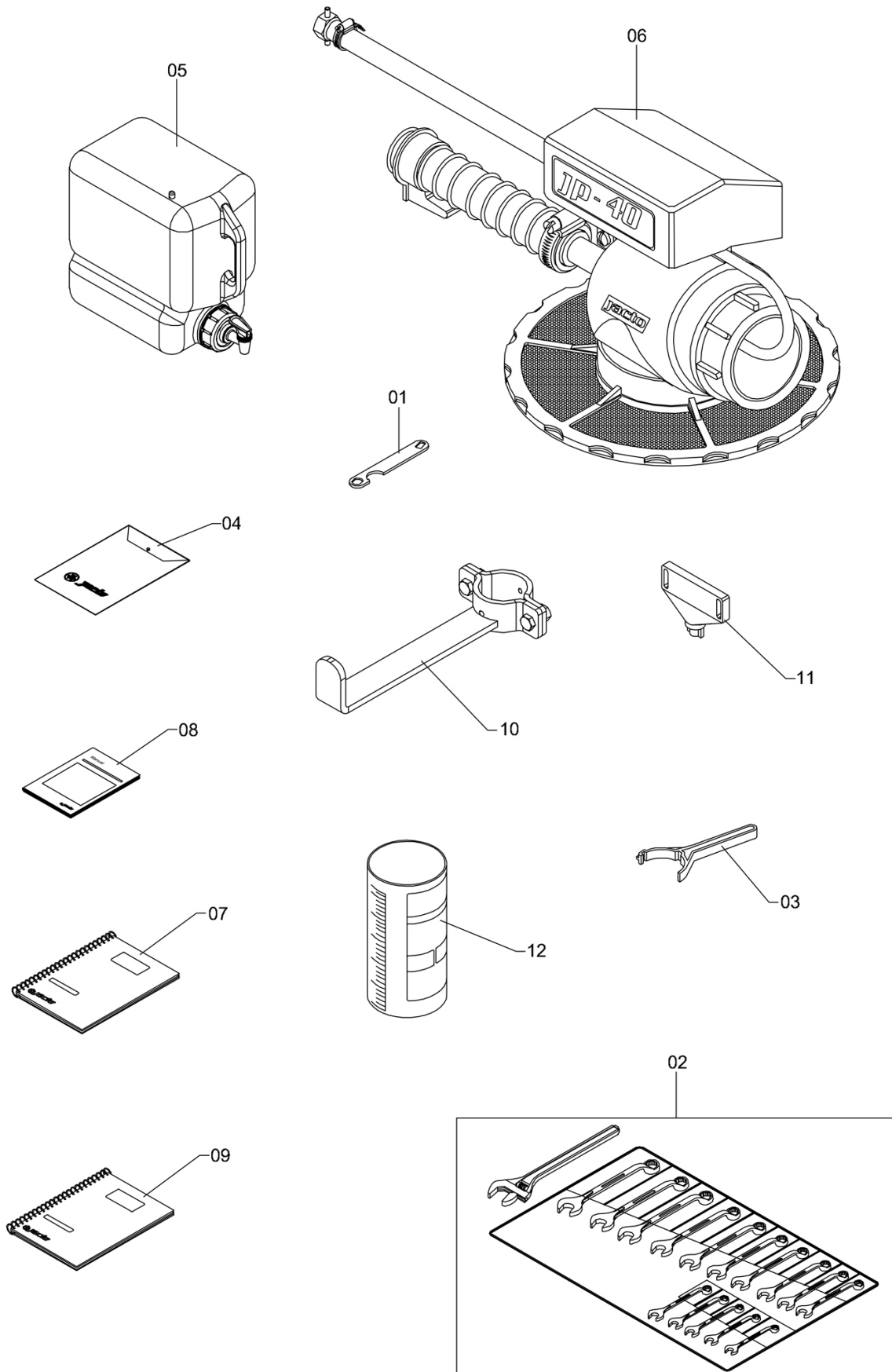
EJECTOR - 40 L/MIN WITHOUT HOSE

Continuation

Item	CODE	DESCRIPTION	Qty.	Item	CODE	DESCRIPTION	Qty.
00	913400	Ejector - 40 L/min without hose	1				
01	913392	Self-tapping pan head bolt - PH ø 3.5 x 12	3				
02	417709	O-ring OR1 -012	1				
03	612853	Injection nozzle	1				
04	809848	Locknut -	1				
05	322537	Dosing bushing	1				
06	107151	Injector venturi	1				
07	612697	Ejector body	1				
08	912642	Bolt - 1/4" UNC x 5/8"	1				
09	612747	Clamping piece - 10	1				
10	052241	Sticker - JP-40	1				
11	358267	Flat washer 64 x 125 x 16	1				
12	910117	Locking washer - 1/4"	1				
13	912741	Hex nut - 1/4"- 20 UNC	1				
14	114967	Filler unit repair kit	1				
15	612721	Spring seat	1				
16	612861	Spring	1				
17	612739	Ejector valve	1				
18	612705	Valve gasket	1				
19	111542	Filtering element with hub and screw	1				

Controlled copy – Distribution and reproduction prohibited

ACCESSORY BOX



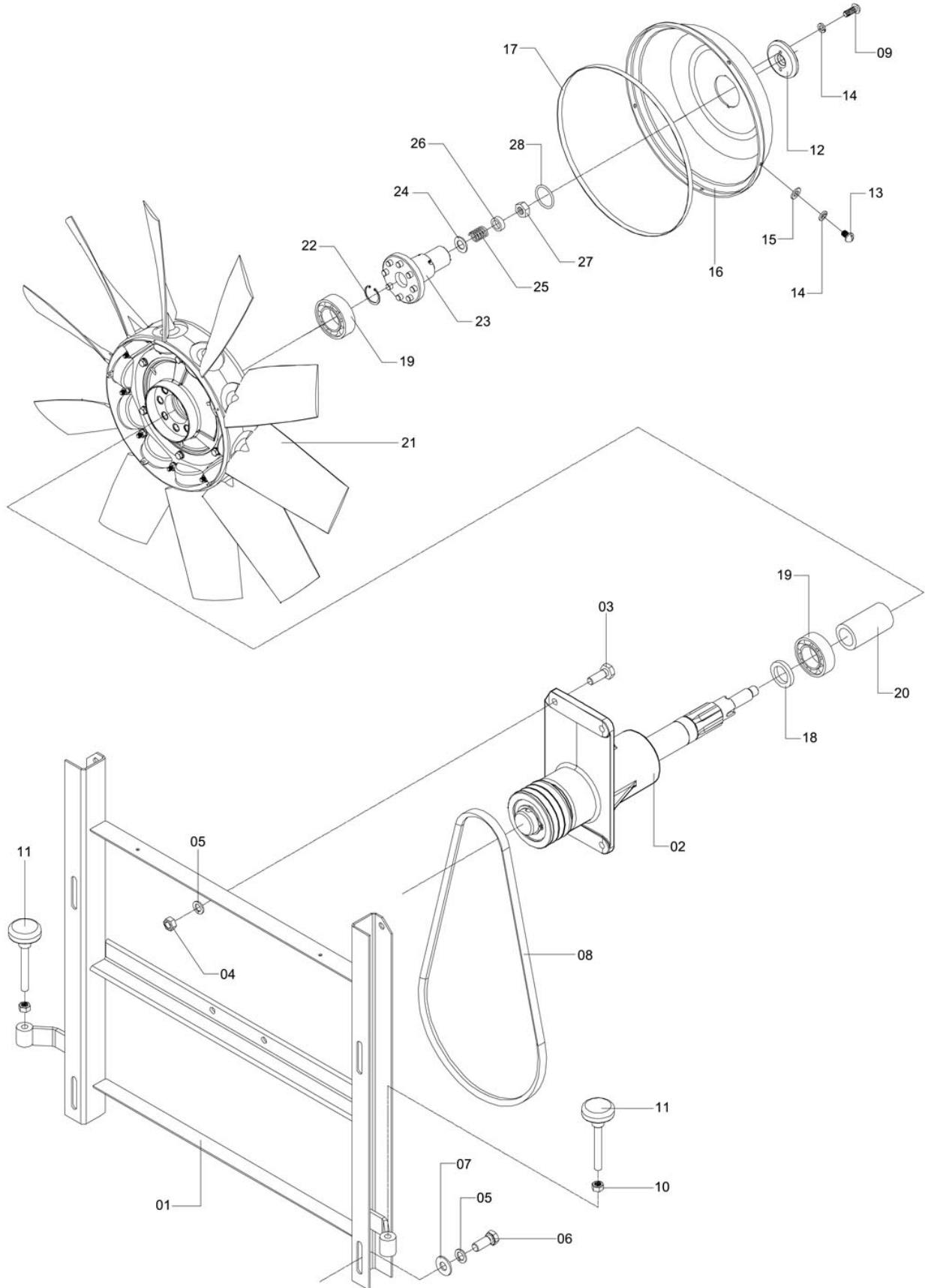
CXA-466

ACCESSORY BOX

Continuation

Item	CODE	DESCRIPTION	Qty.	Item	CODE	DESCRIPTION	Qty.
00	079185	Accessory box	1				
01	436493	Flat fan nozzle aligner	1				
02	489211	Assembly - combination wrench + screw wrench (for export)	1				
03	703694	Key 40-45	1				
04	867127	Plastic folder	1				
05	299768	15-liter tank assembly	1				
06	058387	Ejector for 40 L/min (5-meter hose)	1				
06A	058551	Ejector for 40 L/min (10-meter hose)	1				
07	764688	Operator's manual - Arbus 270 - Spanish	1				
07A	783324	Operator's manual - Arbus 270 - English	1				
07B	764092	Operator's manual - Arbus 270	1				
07C	508721	Operator's manual - Arbus 270 - USA	1				
08	140202	Operator's manual - Chemical container cleaning nozzle - Spanish	1				
08A	907212	Operator's manual - Chemical container cleaning nozzle - USA	1				
08B	158576	Operator's manual - Chemical container cleaning nozzle	1				
08C	136929	Operator's manual - Chemical container cleaning nozzle - Portuguese	1				
09	864199	Operator's manual - Nozzles guideline - Spanish	1				
09A	938381	Nozzle guide MI - USA	1				
09B	697912	Operator's manual - Nozzles Guide - English	1				
09C	853093	Operator's manual - Nozzles	1				
10	1185915	Drive shaft support	1				
11	1177696	Universal key	1				
12	767061	Flow rate gauge	1				

DRIVEN TRANSMISSION



TMV-62

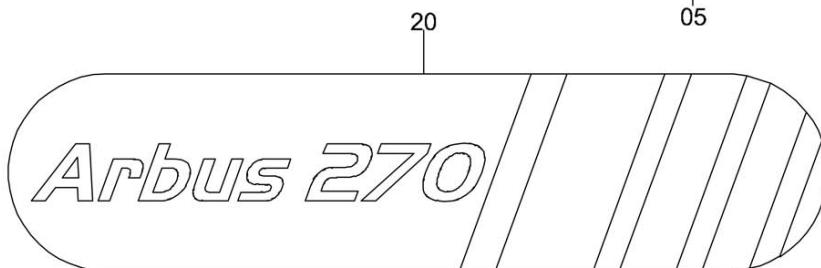
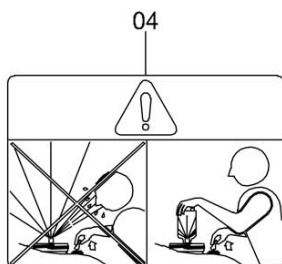
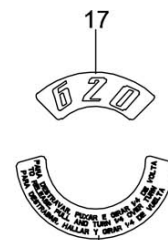
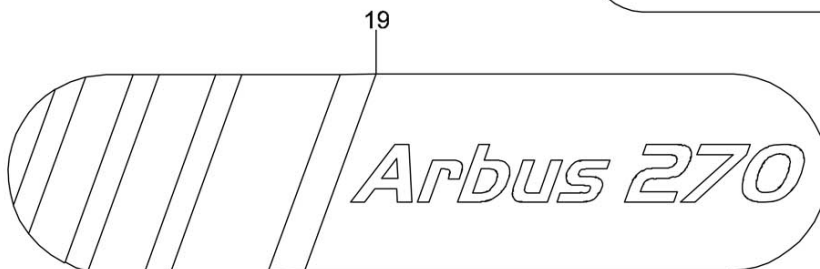
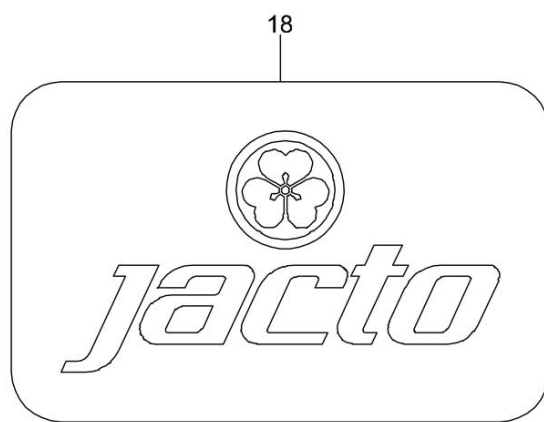
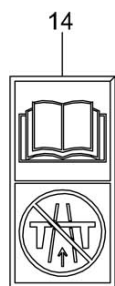
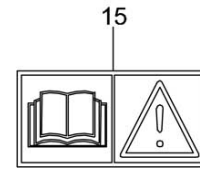
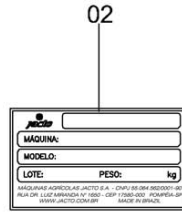
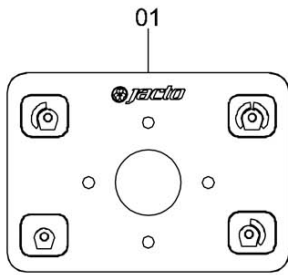
DRIVEN TRANSMISSION

Continuation

Item	CODE	DESCRIPTION	Qty.	Item	CODE	DESCRIPTION	Qty.
00	130658	Driven transmission	1				
01	222232	Sliding frame	1				
02	157149	Fan bearing housing with pulley - 80 3V	1				
03	518753	Bolt - 3/8" - 16 UNC x 1.1/4" - 5 degree	4				
04	518761	Hex nut - ø 3/8"	4				
05	908566	Locking washer - 3/8"	8				
06	427369	Bolt - 3/8" UNC - Stainless steel	4				
07	416735	Flat washer 100 x 260 x 30	4				
08	225961	V-belt - (HY-T 3V-0630)	3				
09	007179	Bolt - 3/16" UNC x 5/8"	2				
10	326280	Nut - ø 1/2" UNC	2				
11	941948	Tensioner bolt - ø 1/2" - 13 UNC	2				
12	201087	Disk - ø 70	1				
13	907584	Bolt - 3/16" UNC x 5/16"	10				
14	520676	Locking washer - ø5	12				
15	979237	Flat washer - 5.3 x 10 x 1	10				
16	935379	Hubcap	1				
17	018655	Gasket - 1015	1				
18	222224	Bushing	1				
19	202549	Deep groove ball bearing	2				
20	232686	Spacer - 51.4	1				
21	157131	Fan with plastic blades	1				
22	203067	Snap ring for shaft - ø35	1				
23	177055	Splined hub with hitch	1				
24	881243	Flat washer - Ø17 x 30 x 1.9 - steel	1				
25	204537	Compression spring	1				
26	425892	Spring thrust ring	1				
27	108787	Nut - DODI-LOC ø 1/2" - 13 U	1				
28	939223	Sealing ring	1				

Controlled copy – Distribution and reproduction prohibited

STICKER - ARBUS 270



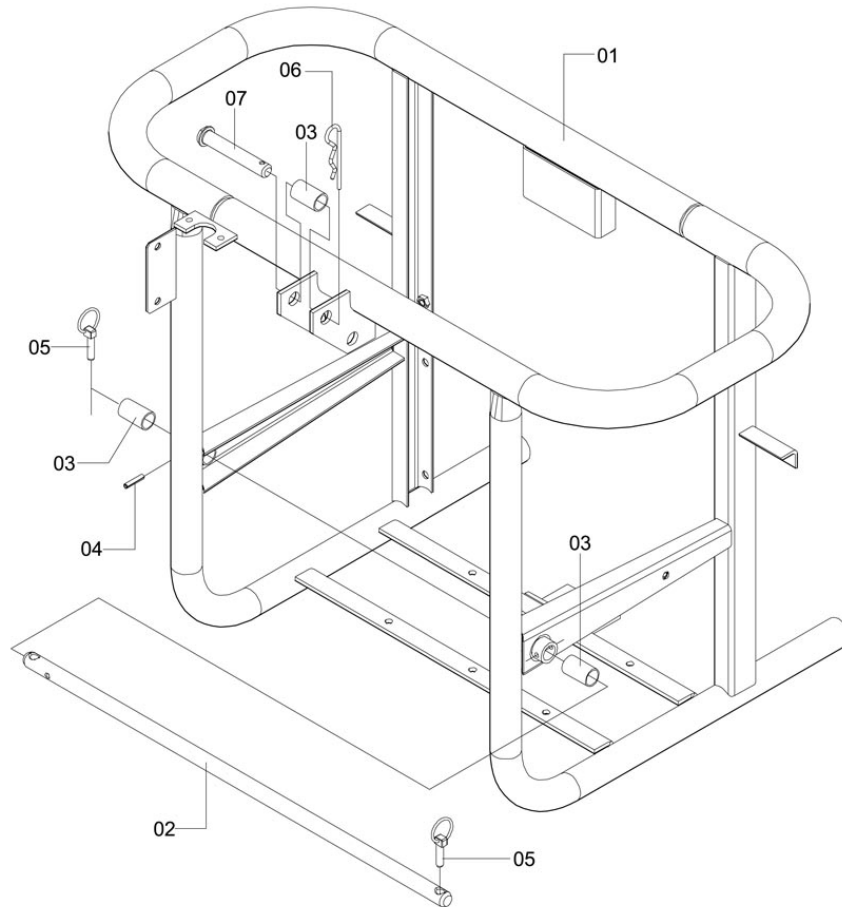
ADS-279

STICKER - ARBUS 270

Continuation

Item	CODE	DESCRIPTION	Qty.	Item	CODE	DESCRIPTION	Qty.
00	020098	Sticker - Arbus 270	1				
01	1209651	Sticker " Valve activation"	1				
02	983932	Identification plate	1				
03	379073	Sticker - Tank - Water for Washing Hands	1				
04	169128	Sticker - Chemical container cleaning nozzle	1				
05	018705	Sticker (Unlock, pull, 1/4-turn)	1				
06	379008	Sticker - Danger - Drive shaft	1				
07	379040	Sticker - Attention - Keep distance	1				
08	379057	Sticker - Keep distance - Fan	1				
09	379065	Sticker - Keep all protectors	1				
10	379115	Sticker - Mandatory Use of Protective Mask Respirator	1				
11	379123	Sticker - Mandatory Use of Hearing Protection	1				
12	379131	Sticker - Mandatory Use of Protective Clothing	1				
13	379214	Sticker: "Maximum Speed 30 KM/H"	1				
14	379222	Sticker - Traffic on Highways Prohibited	1				
15	379230	Sticker: "Read Operator's Manual - Horizontal"	3				
16	379248	Sticker - Read Operator's Manual - Vertical	1				
17	222216	Sticker - 620	1				
18	1179583	Sticker - Jacto	2				
19	1179578	Sticker - Arbus 270 - right	1				
20	1179581	Sticker - Arbus 270 - left	1				

CHASSIS AND COMPLEMENTS

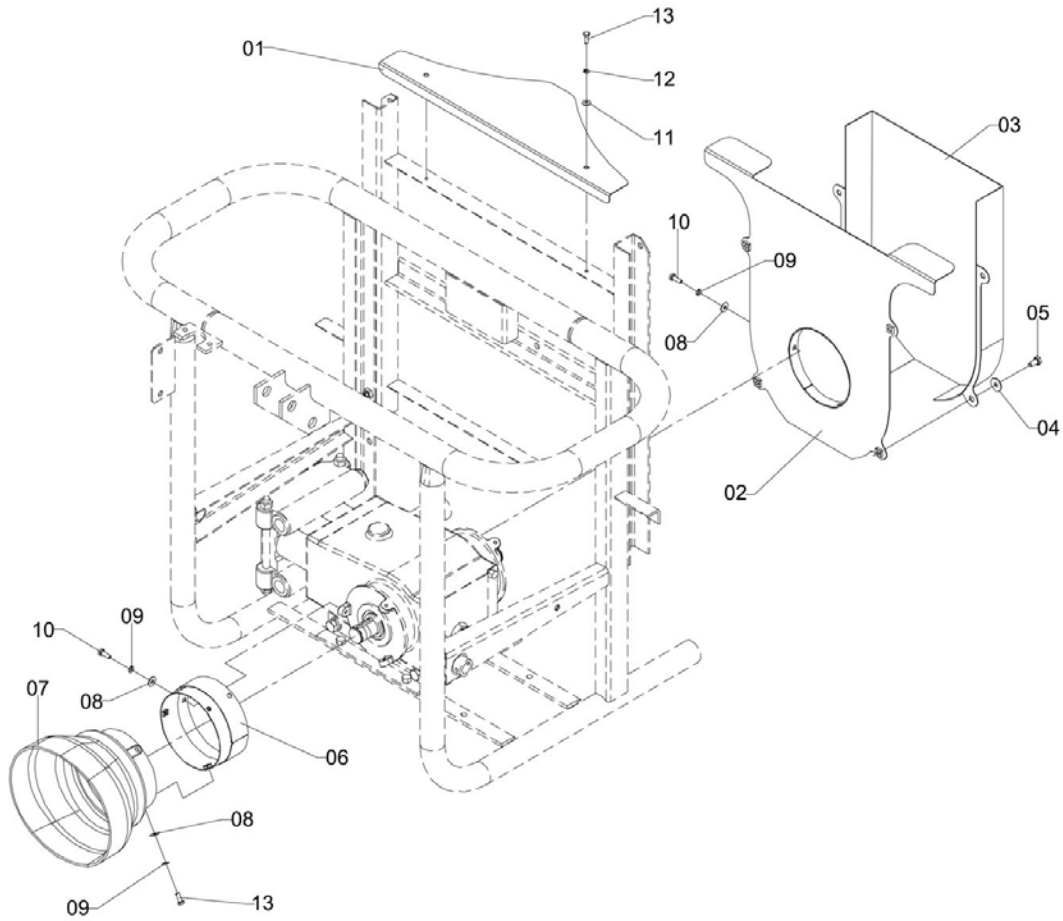


C3P-99

Item	CODE	DESCRIPTION	Qty.	Item	CODE	DESCRIPTION	Qty.
00	221234	Chassis and complements	1				
01	221242	Chassis (Arbus 270)	1				
02	221382	Hitch bar - 810	1				
03	400325	Lower coupling pin sleeve	3				
04	545855	Heavy elastic pin - 6 x 32	1				
05	812636	Universal lock pin - 7/16"	2				
06	517409	Cotter pin - 3/16"	1				
07	602912	Coupling pin 19 x 113	1				

Controlled copy – Distribution and reproduction prohibited

COMPLEMENTS (ARBUS 270)

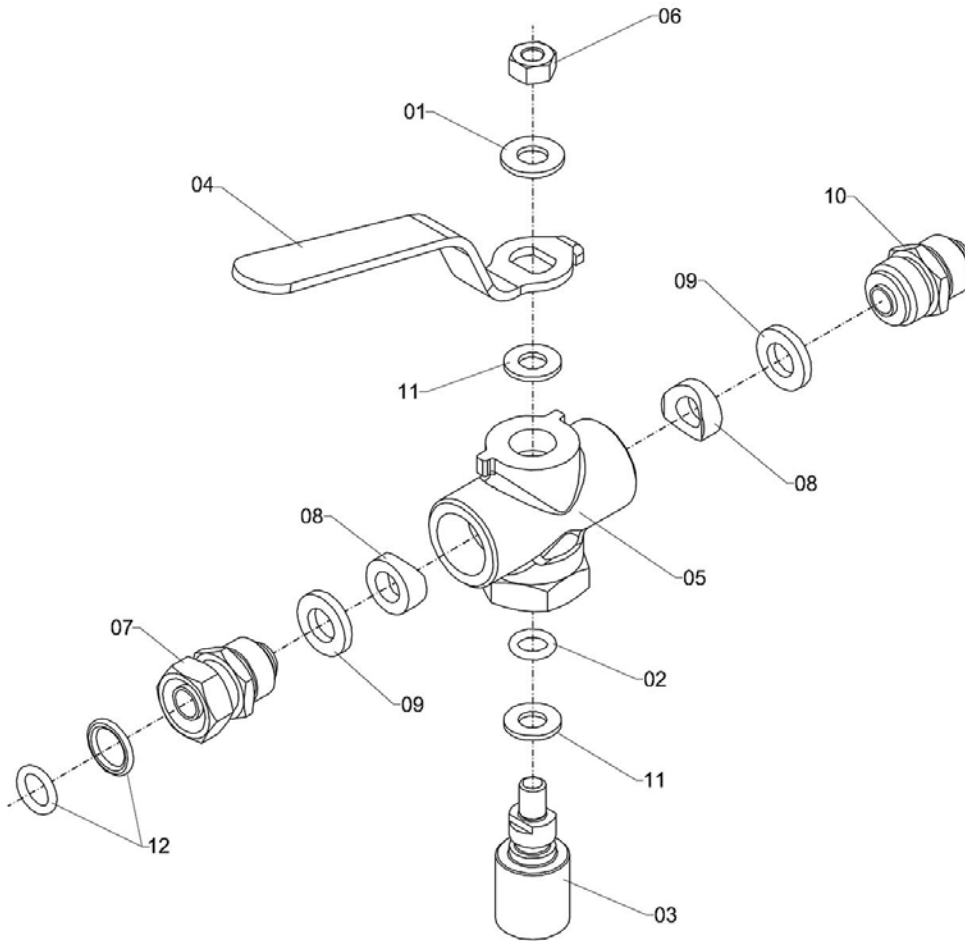


C-780

Item	CODE	DESCRIPTION	Qty.	Item	CODE	DESCRIPTION	Qty.
00	1175741	Complements (Arbus 270)	1				
01	1169897	Deflector protector	1				
02	1169887	Pump rear protection	1				
03	1169893	Pulley protector	1				
04	733253	Flat washer - Ø8.2 X Ø25.4 X 1.5 - steel	4				
05	829341	Hex bolt - M8 x 16 x 1.25	4				
06	1175725	Drive shaft guard	1				
07	118224	Cross piece guard	1				
08	413468	Flat washer - ø 6.8 x 18 x 1.2 - treated steel	9				
09	910117	Locking washer - 1/4"	9				
10	007229	Bolt - 1/4"- 20 UNC x 3/4"	6				
11	501460	Flat washer - 642 x 150 x 12	2				
12	521666	Locking washer - ø6 - steel	2				
13	829507	Hex head bolt - M6 x 1 x 16 - CL. 8.8	5				

Controlled copy – Distribution and reproduction prohibited

2-WAY VALVE (MODEL C)

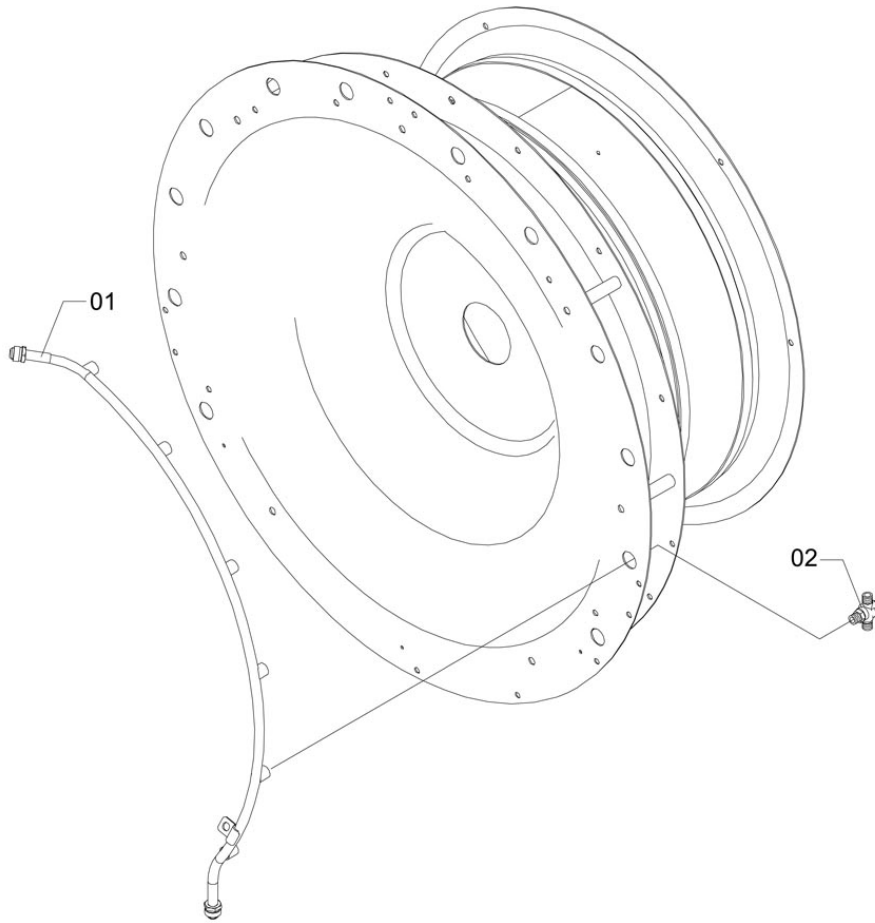


CV-617

Item	CODE	DESCRIPTION	Qty.	Item	CODE	DESCRIPTION	Qty.
00	220798	2-way valve (Model C)	1				
01	013433	Flat washer - Ø8.4 x Ø16 x 1.6 steel	1				
02	416669	Sealing ring - OR1-110	1				
03	420679	Valve core	1				
04	420729	Lever	1				
05	421180	Valve body - 2 ways	1				
06	912758	Hex nut - 5/16"- 18 UNC	1				
07	220806	Fitting 7/8" UNF	1				
08	414763	Sealing ring seat -ø 28 x 8	2				
09	414771	Packing ring ø 20 x 11 x 3.0	2				
10	415919	Nipple - 1/2" BSP x 7/8" UNF	1				
11	414748	Sealing washer	2				
12	011676	Sealing ring - OR1-111	1				

Controlled copy – Distribution and reproduction prohibited

LEFT NOZZLE BRANCH ASSEMBLY FOR 6 NOZZLES

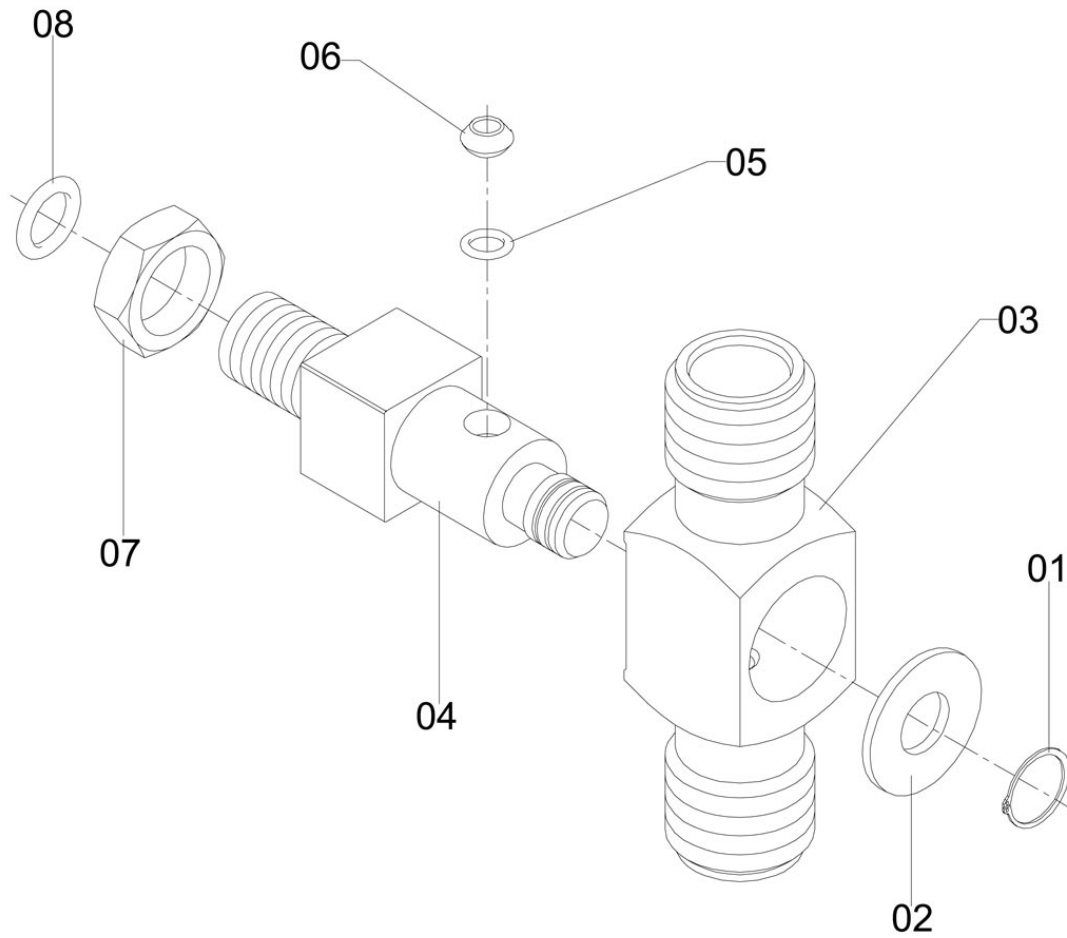


CA-227

Item	CODE	DESCRIPTION	Qty.	Item	CODE	DESCRIPTION	Qty.
00	393009	Left nozzle branch assembly for 6 nozzles	1				
01	365056	Left nozzle branch - 6 nozzles	1				
02	340802	Bijet nozzle holder	6				

Controlled copy – Distribution and reproduction prohibited

BIJET NOZZLE HOLDER

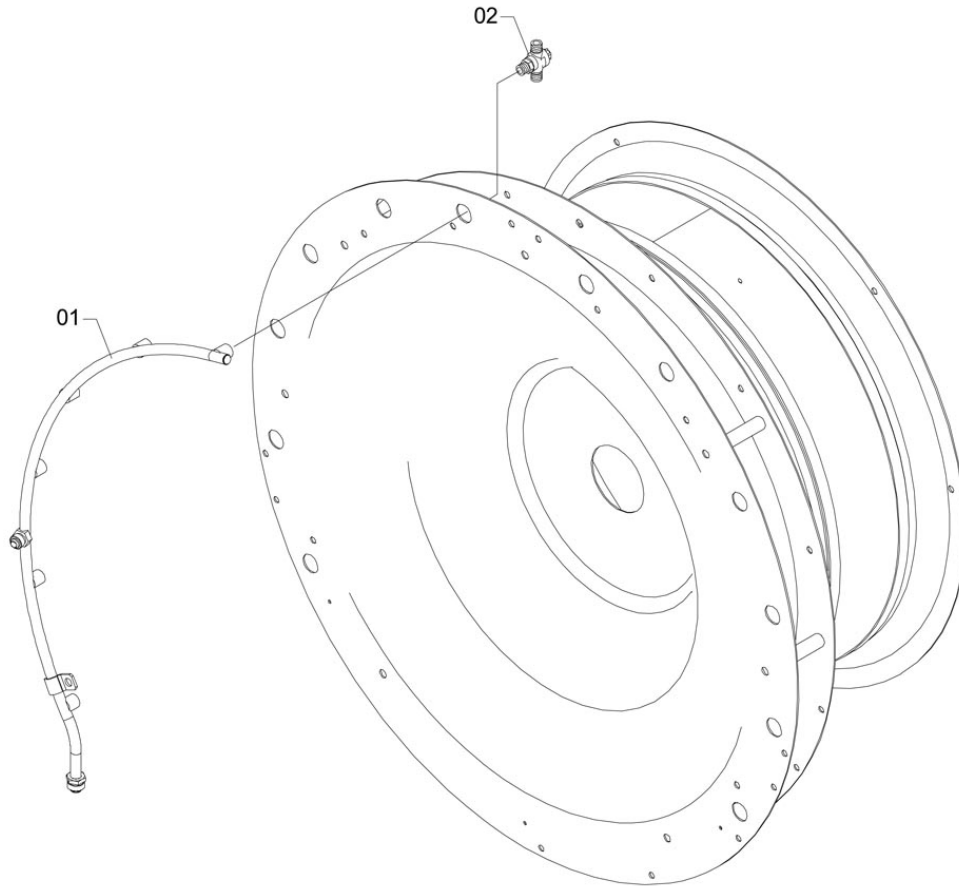


BC-63

Item	CODE	DESCRIPTION	Qty.	Item	CODE	DESCRIPTION	Qty.
00	340802	Bijet nozzle holder	1				
01	340844	Snap ring for shaft - ø9	1				
02	340836	Wavy washer	1				
03	340810	Bijet nozzle holder	1				
04	454991	Nozzle holder support 51.5	1				
05	340851	Sealing ring - OR2 - 201	1				
06	340828	Seal	1				
07	441154	Nut - ø 1/4" BSP - 18 F.P.P.	1				
08	120097	Sealing ring - OR1-013	1				

Controlled copy – Distribution and reproduction prohibited

RIGHT NOZZLE BRANCH ASSEMBLY FOR 6 NOZZLES

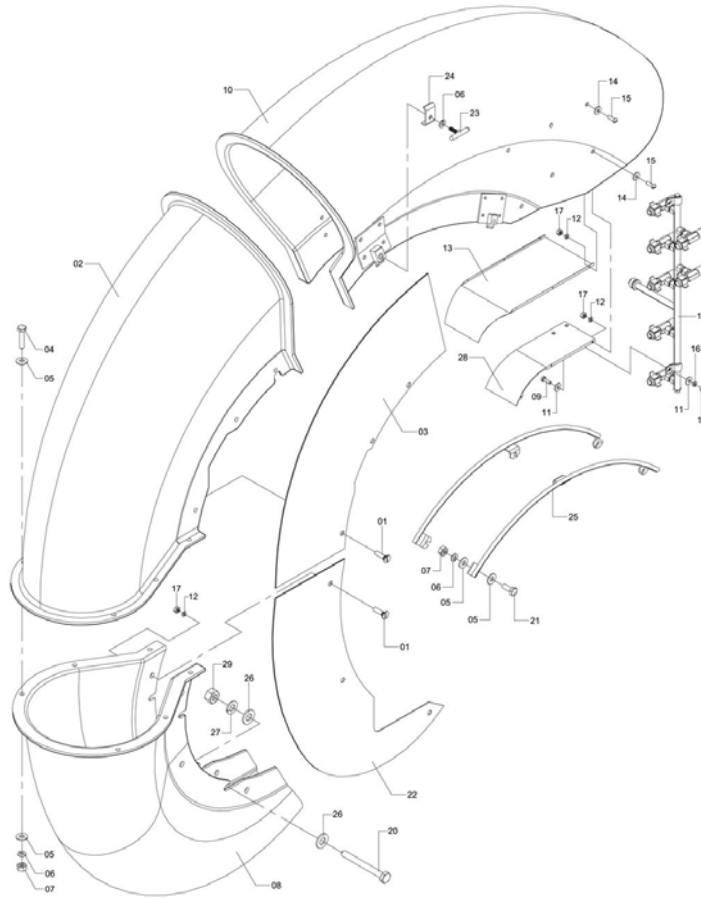


CA-226

Item	CODE	DESCRIPTION	Qty.	Item	CODE	DESCRIPTION	Qty.
00	392993	Right nozzle branch assembly for 6 nozzles	1				
01	365049	Right nozzle branch - 6 nozzles	1				
02	340802	Bijet nozzle holder	6				

Controlled copy – Distribution and reproduction prohibited

ONE-SIDED DEFLECTOR

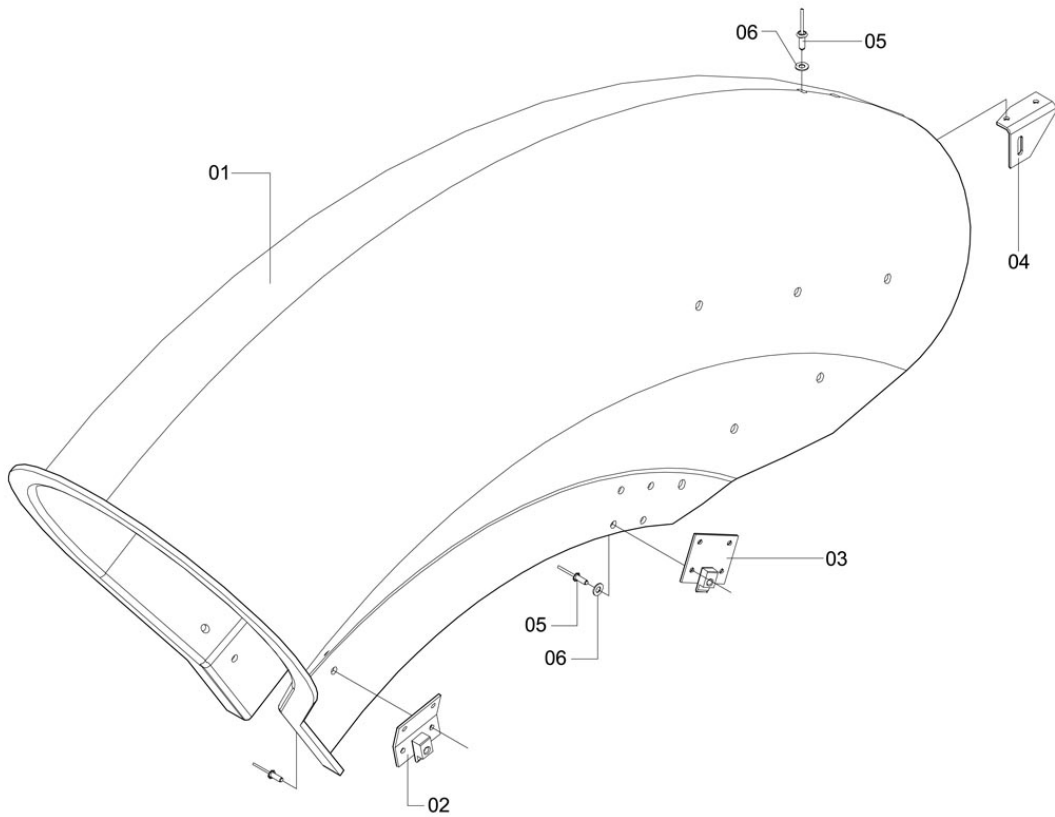


DF-53

Item	CODE	DESCRIPTION	Qty.	Item	CODE	DESCRIPTION	Qty.
00	154989	One-sided deflector	1				
01	074872	Slotted screw - UNC 3/16 X 5/8"	6				
02	220640	Upper deflector body	1				
03	222794	Vane - 256 x 690	1				
04	912667	Bolt - 5/16" x 18 UNC x 7/8	8				
05	013433	Flat washer - Ø8.4 x Ø16 x 1.6 steel	24				
06	519736	Locking washer - Ø8	18				
07	912758	Hex nut - 5/16"- 18 UNC	14				
08	220954	Lower deflector body	1				
09	910513	Bolt - ø 1/4" UNC x 3/4"	2				
10	220863	Movable deflector	1				
11	413468	Flat washer - ø 6.8 x 18 x 1.2 - treated steel	4				
12	520676	Locking washer - ø5	18				
13	220988	Directing vane	1				
14	501692	Flat washer - ø 5.3 x 15 x 1.2 - stainless steel	18				
15	907634	Bolt - 3/16" BSW x 5/8"	12				
16	910117	Locking washer - 1/4"	2				
17	912733	Hex nut - 3/16" UNC	18				
18	912741	Hex nut - 1/4"- 20 UNC	2				
19	221044	Branch assembly	1				
20	559575	Bolt - 3/8" x 5. 1/4"	2				
21	836502	Bolt - 5/16"- 18 UNC x 1"- 5 degree	6				
22	222802	Lower deflector - 290 x 260	1				
23	221028	Locking screw 5/16" ø 24 UNF	4				
24	221036	Clip	4				
25	220996	Moving volute support	2				
26	623884	Flat washer - ø 10.5 x 21 x 3 - stainless steel	4				
27	908566	Locking washer - 3/8"	2				
28	220962	Flap 313	1				
29	518761	Hex nut - ø 3/8"	2				

Controlled copy – Distribution and reproduction prohibited

MOVABLE DEFLECTOR

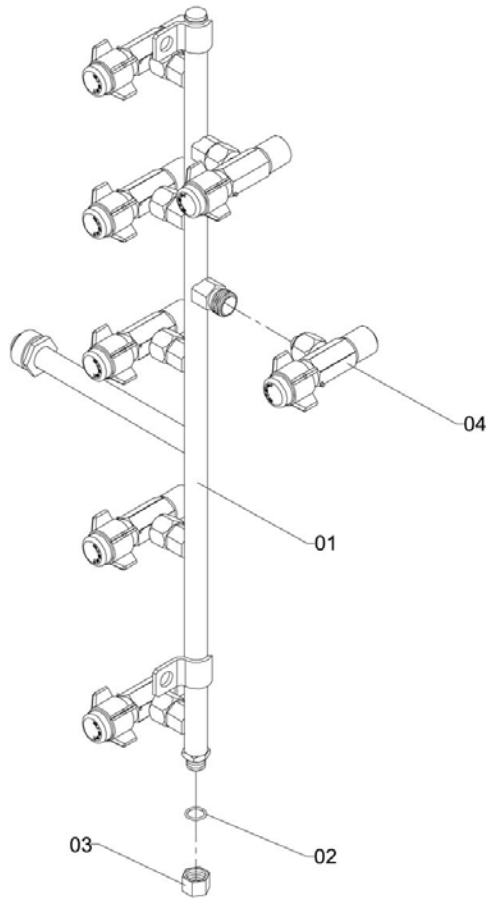


DF-48

Item	CODE	DESCRIPTION	Qty.	Item	CODE	DESCRIPTION	Qty.
00	220863	Movable deflector	1				
01	220871	Movable deflector	1				
02	220889	Rear support	2				
03	220913	Front support	2				
04	220947	Support	1				
05	345389	Rivet "POP"	18				
06	413468	Flat washer - \varnothing 6.8 x 18 x 1.2 - treated steel	10				

Controlled copy – Distribution and reproduction prohibited

BRANCH ASSEMBLY

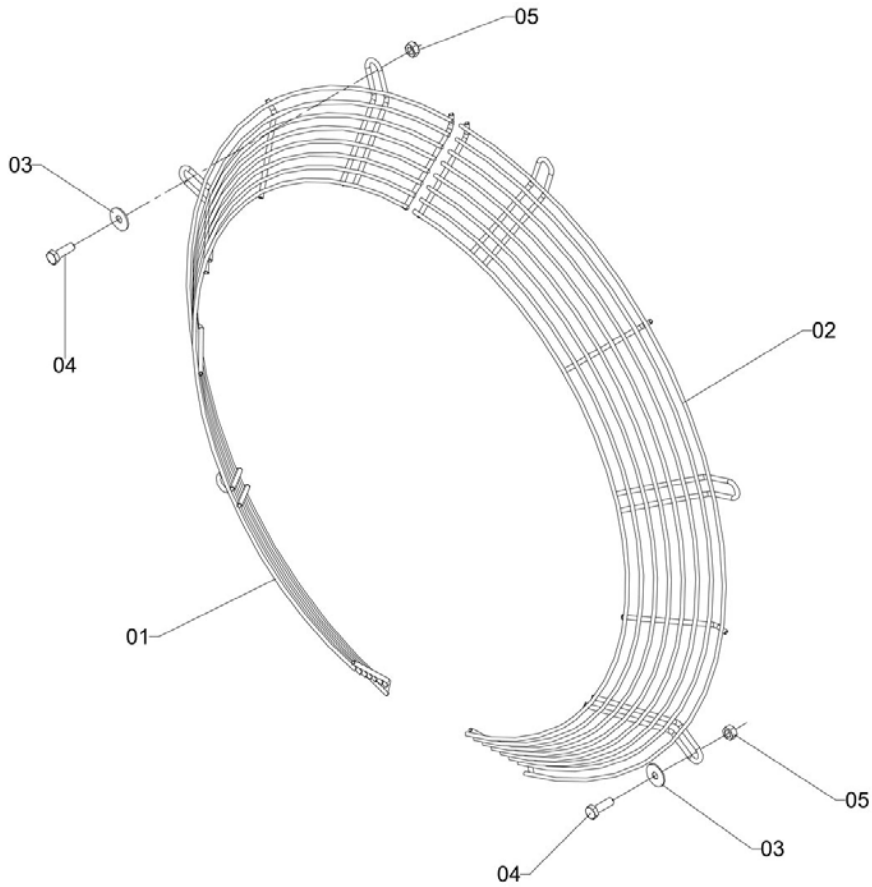


DF-173

Item	CODE	DESCRIPTION	Qty.	Item	CODE	DESCRIPTION	Qty.
00	221044	Branch assembly	1				
01	221051	Nozzle branch	1				
02	322040	Sealing ring - ORI-011	1				
03	037754	Plug - 9/16" - 18 UNF	1				
04	429332	Valve assembly	1				

Controlled copy – Distribution and reproduction prohibited

SIDE PROTECTION GRID ASSEMBLY

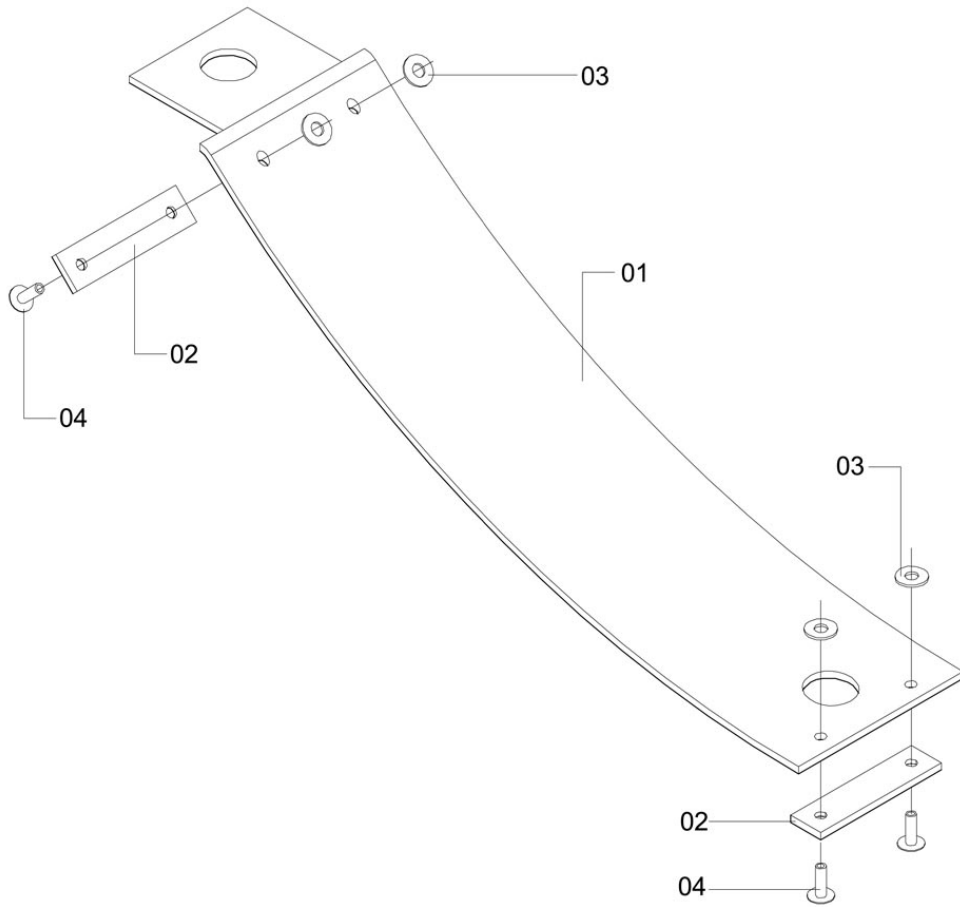


DF-172

Item	CODE	DESCRIPTION	Qty.	Item	CODE	DESCRIPTION	Qty.
00	1180999	Side protection grid assembly	1				
01	1180998	Right side protection grid	1				
02	1180997	Left side protection grid	1				
03	663401	Flat washer - Ø 8.3 x 25 x 2.65 STEEL	6				
04	829382	Hex bolt - M8 x 25 x 1.25	6				
05	678722	Nylon-insert lock nut - - M8 x 1.25	6				

Controlled copy – Distribution and reproduction prohibited

RIGHT UPPER DEFLECTOR

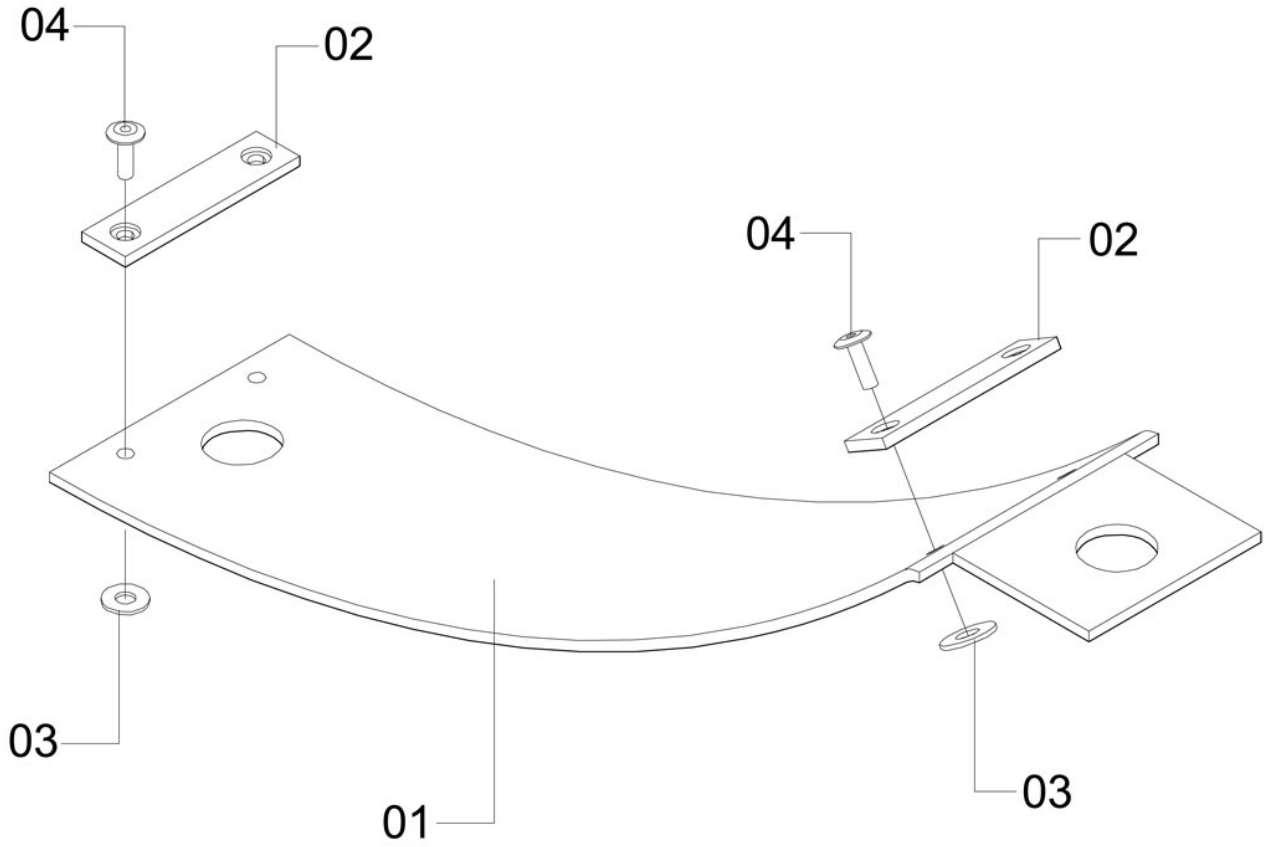


CA-224

Item	CODE	DESCRIPTION	Qty.	Item	CODE	DESCRIPTION	Qty.
00	222596	Right upper deflector	1				
01	222620	Plate - 350 Right/Left	1				
02	222653	Spacer - 15 x 60	2				
03	508515	Flat washer - Ø4.3 x Ø10.2 x 0.8 - steel	4				
04	519777	Rivet - Pop - ø 4.0 x 12.8	4				

Controlled copy – Distribution and reproduction prohibited

LEFT LOWER DEFLECTOR

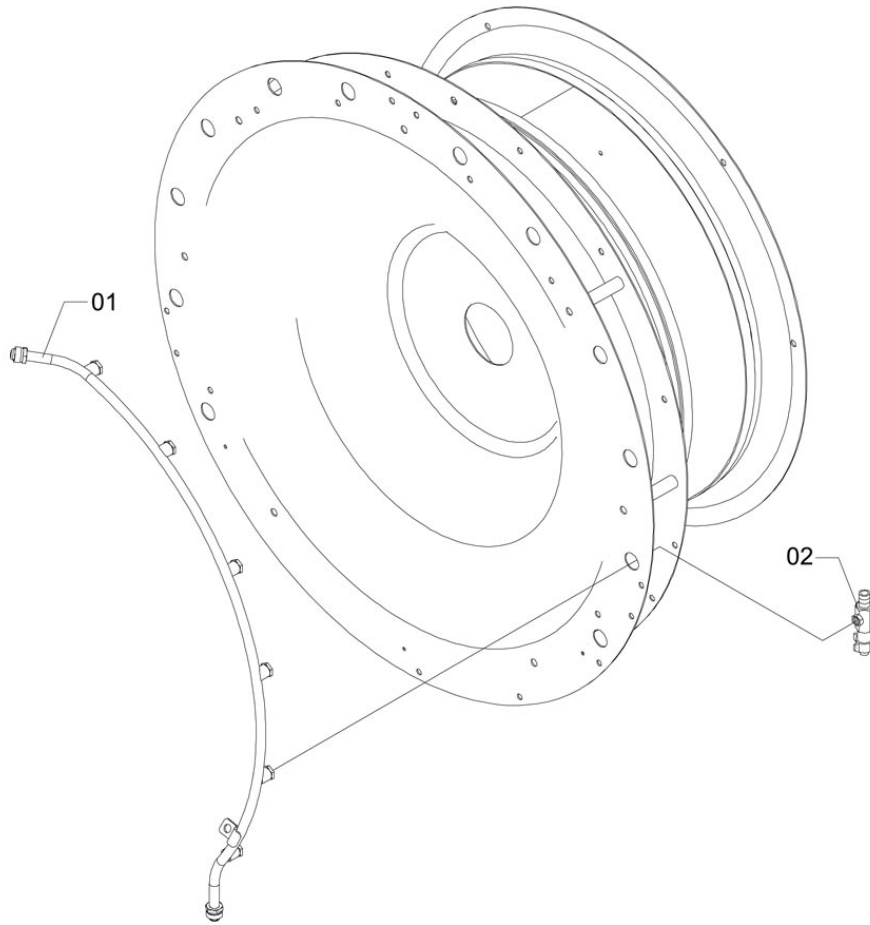


CA-223

Item	CODE	DESCRIPTION	Qty.	Item	CODE	DESCRIPTION	Qty.
00	222612	Left lower deflector	1				
01	222620	Plate - 350 Right/Left	1				
02	222653	Spacer - 15 x 60	2				
03	508515	Flat washer - Ø4.3 x Ø10.2 x 0.8 - steel	4				
04	519777	Rivet - Pop - ø 4.0 x 12.8	4				

Controlled copy – Distribution and reproduction prohibited

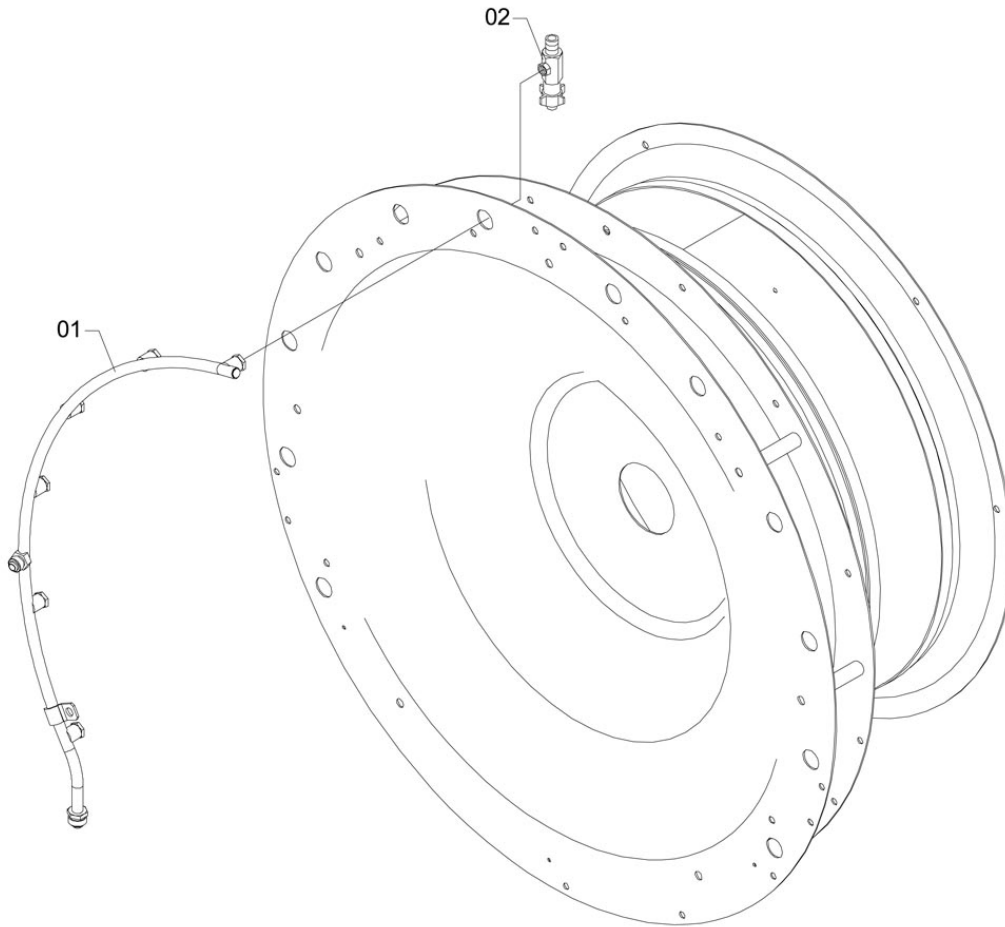
LEFT NOZZLE BRANCH ASSEMBLY FOR 6 NOZZLES



CA-220

Item	CODE	DESCRIPTION	Qty.	Item	CODE	DESCRIPTION	Qty.
00	392977	Left nozzle branch assembly for 6 nozzles	1				
01	199232	Left nozzle branch - 6 nozzles	1				
02	429332	Valve assembly	6				

RIGHT NOZZLE BRANCH ASSEMBLY FOR 6 NOZZLES

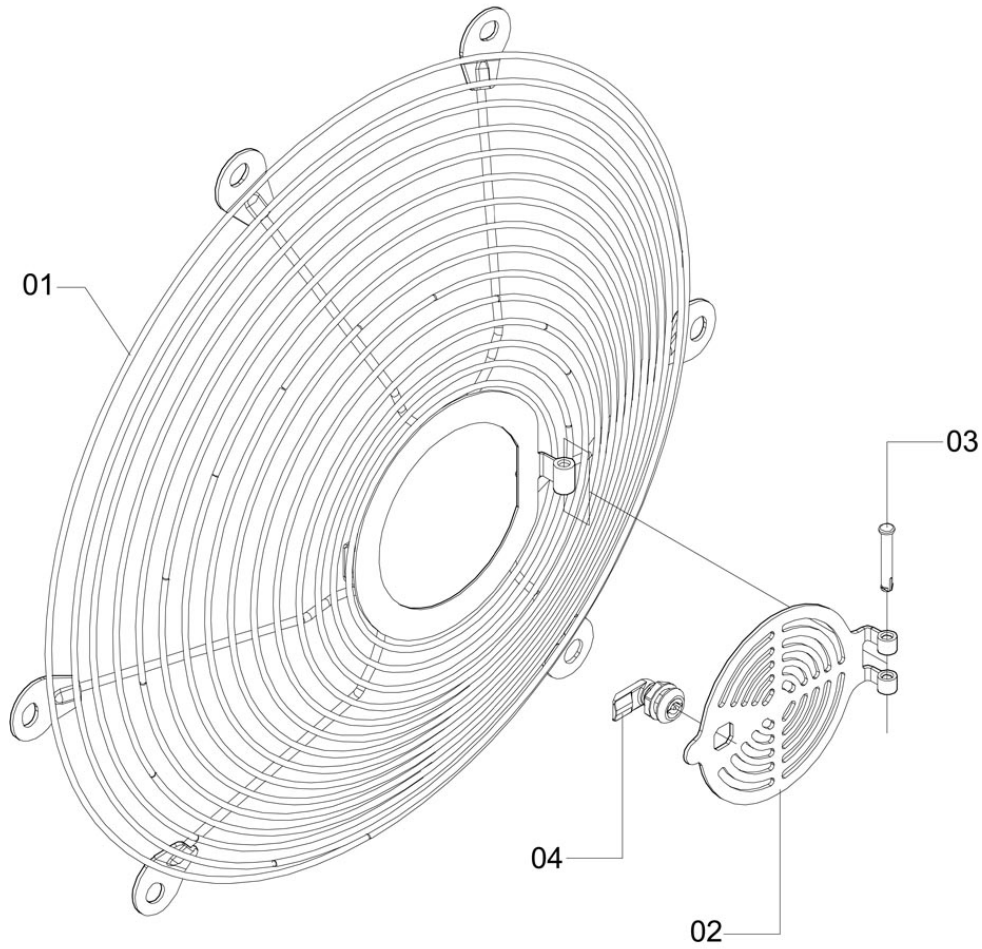


CA-221

Item	CODE	DESCRIPTION	Qty.	Item	CODE	DESCRIPTION	Qty.
00	392985	Right nozzle branch assembly for 6 nozzles	1				
01	199208	Right nozzle branch - 6 nozzles	1				
02	429332	Valve assembly	6				

Controlled copy – Distribution and reproduction prohibited

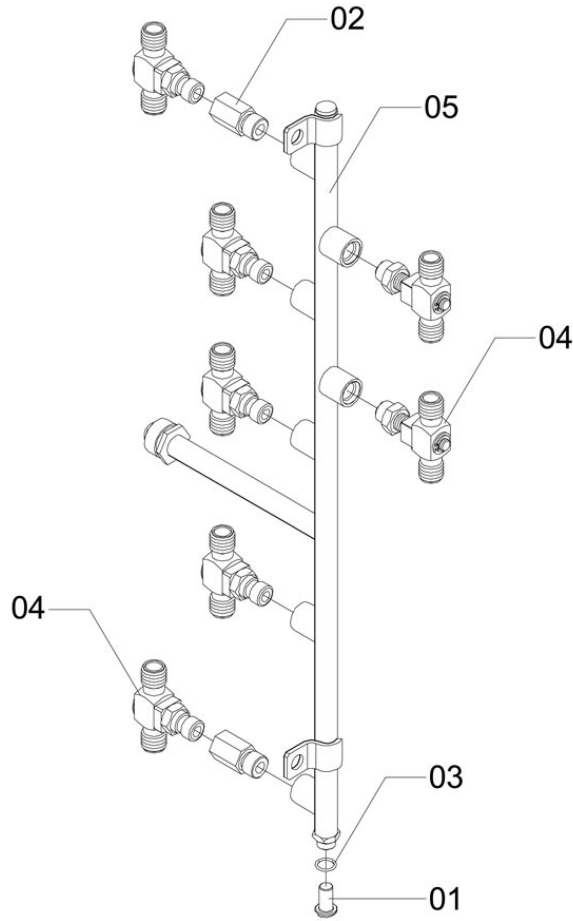
GUARD SCREEN - ASSEMBLY



CA-222

Item	CODE	DESCRIPTION	Qty.	Item	CODE	DESCRIPTION	Qty.
00	434076	Guard screen - assembly	1				
01	1178473	Protection grid	1				
02	1165899	Grid unlock	1				
03	847912	Agrochemical mixer articulator pin	1				
04	1169820	Plastic stop latch key	1				

NOZZLE BRANCH ASSEMBLY FOR 7 NOZZLES

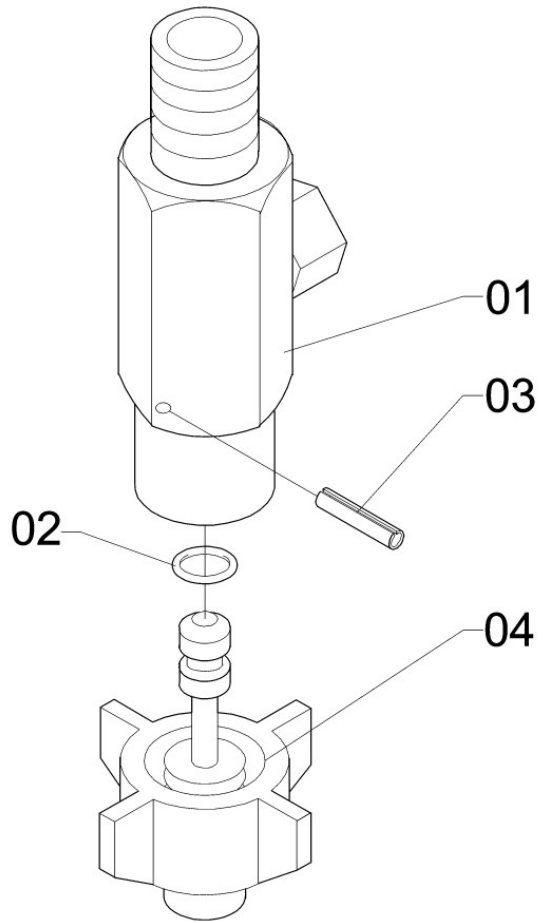


DF-50

Item	CODE	DESCRIPTION	Qty.	Item	CODE	DESCRIPTION	Qty.
00	502856	Nozzle branch assembly for 7 nozzles	1				
01	220939	Round head slotted bolt - 5/16" - UNC	1				
02	555714	Nozzle extension tube	2				
03	322040	Sealing ring - ORI-011	1				
04	340802	Bijet nozzle holder	7				
05	554394	Nozzle branch	1				

Controlled copy – Distribution and reproduction prohibited

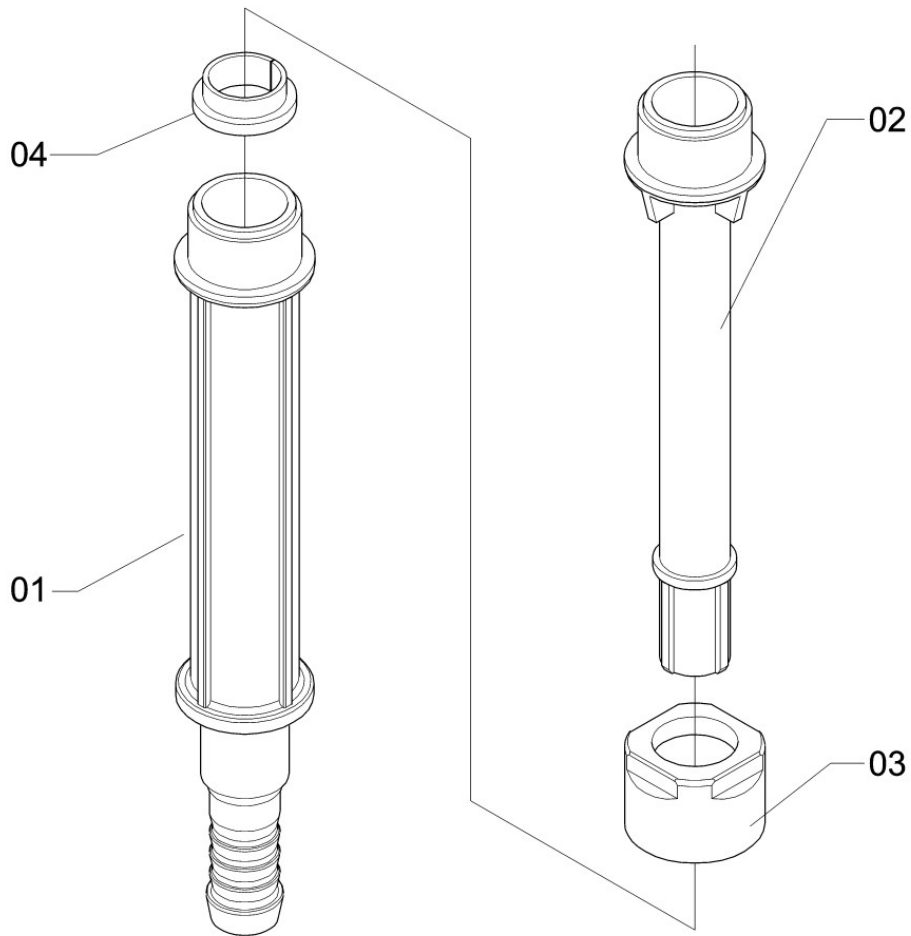
VALVE ASSEMBLY



BC-37

Item	CODE	DESCRIPTION	Qty.	Item	CODE	DESCRIPTION	Qty.
00	429332	Valve assembly	1				
01	716985	Fitting	1				
02	426114	Sealing ring	1				
03	426155	Pin 19	1				
04	717009	Trigger valve rod	1				

CHEMICAL CONTAINER CLEANING NOZZLE ROD



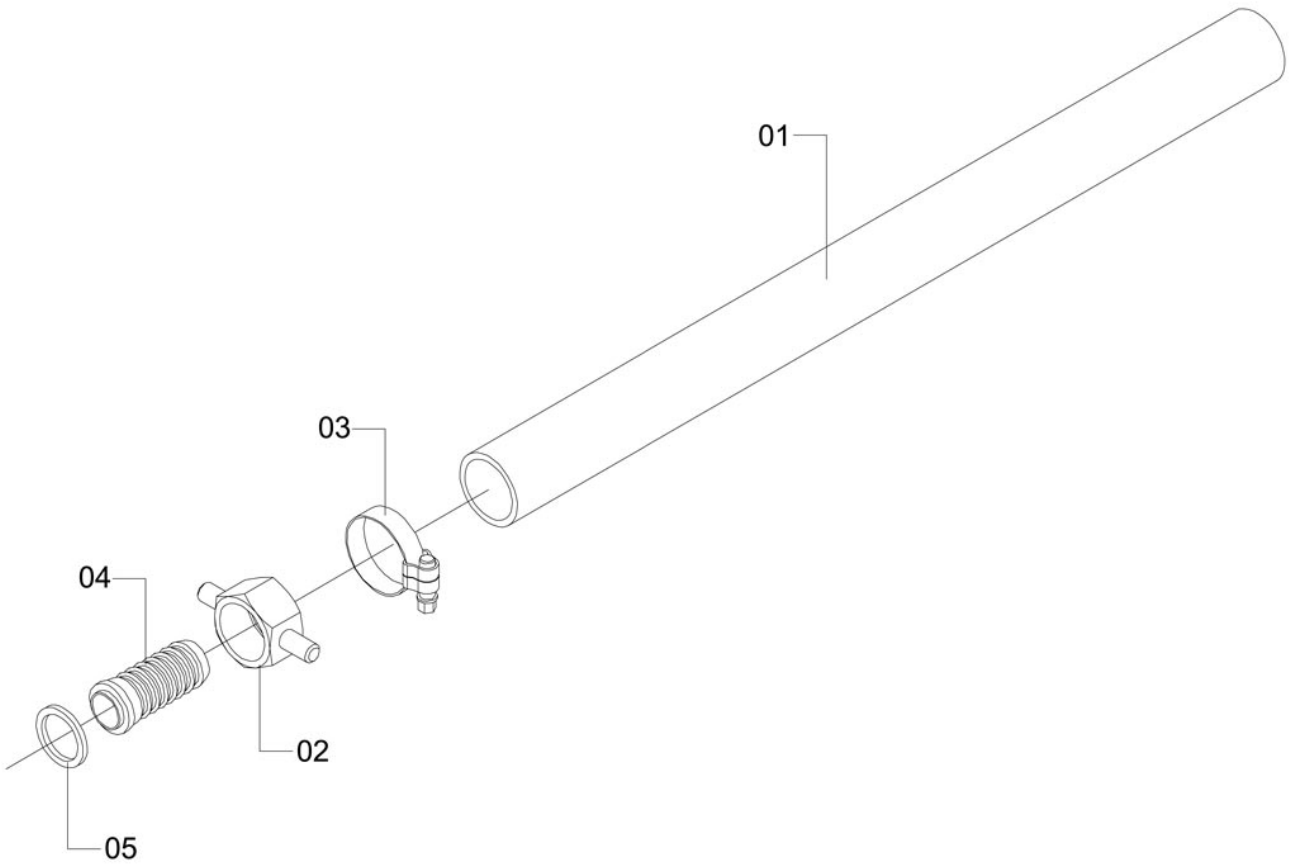
KIT-76

Item	CODE	DESCRIPTION	Qty.
00	088237	Chemical container cleaning nozzle rod	1
01	058834	Nozzle rod	1
02	083907	Rod extension	1
03	087882	Extension nut	1
04	134221	Retaining ring	1

Item	CODE	DESCRIPTION	Qty.

Controlled copy – Distribution and reproduction prohibited

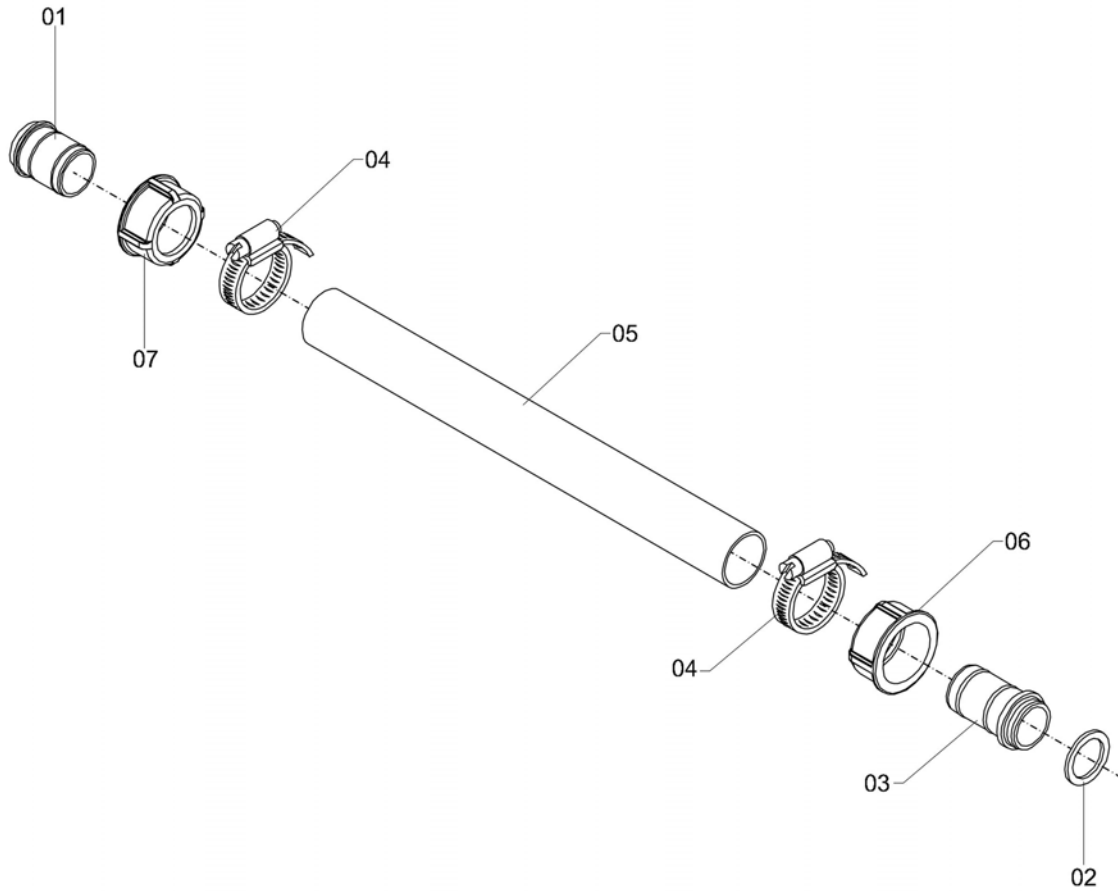
HOSE - PUMP / CONTROL



CD-756

Item	CODE	DESCRIPTION	Qty.	Item	CODE	DESCRIPTION	Qty.
00	159780	Hose - Pump / Control	1				
01	217315	Hose - \varnothing 3/4" x 850	1				
02	403014	Hex wing nut 3/4" BSP	1				
03	423814	Clamp D22-32 - stainless steel	1				
04	606764	Fitting for hose - \varnothing 3/4"	1				
05	706796	Sealing ring - OR1-114	1				

HOSE - FILTER / PUMP

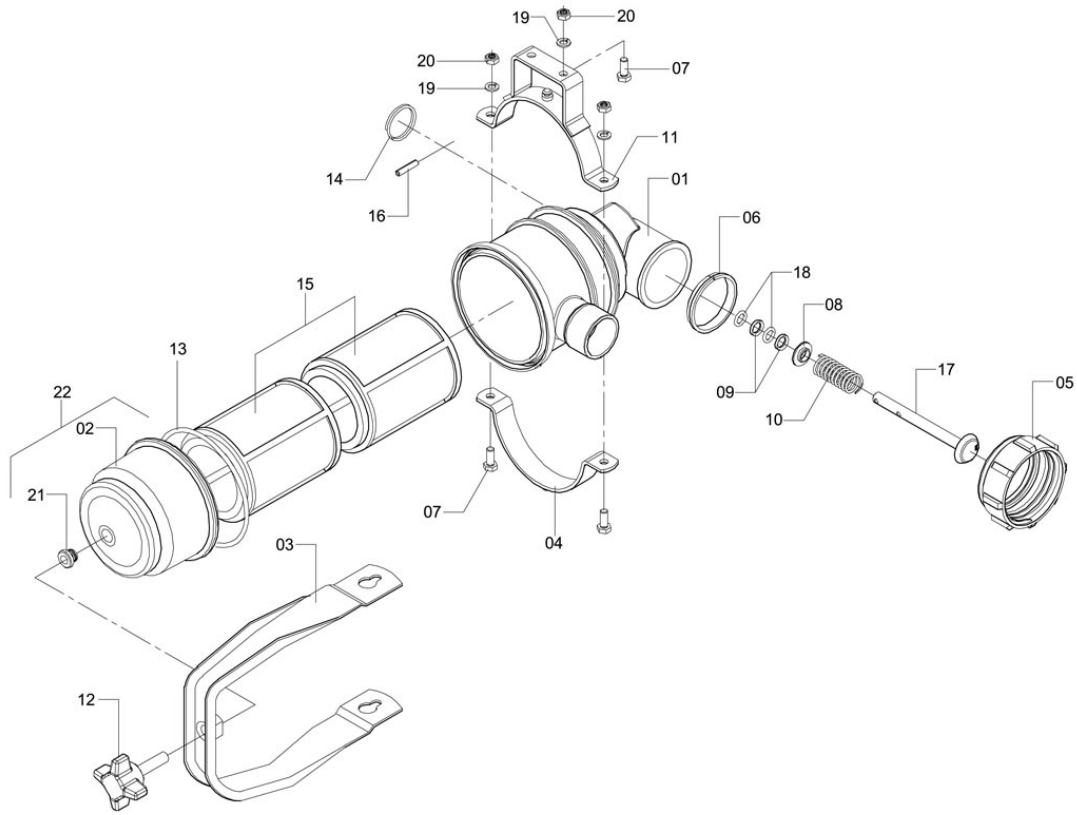


CD-772

Item	CODE	DESCRIPTION	Qty.	Item	CODE	DESCRIPTION	Qty.
00	159806	Hose - Filter / Pump	1				
01	208777	Hose fitting - 1" x 33	1				
02	402412	Sealing washer - 31 x 22.5 x 22.5/3.0	1				
03	404434	Hose fitting	1				
04	423814	Clamp D22-32 - stainless steel	2				
05	935270	Hose - \varnothing 25.4 (1") x 600	1				
06	511733	Round nut 1" BSP (40-45)	1				
07	005884	Round nut - 1.1/4" BSP	1				

Controlled copy – Distribution and reproduction prohibited

SUCTION FILTER WITH VALVE FOR 100 L/MIN

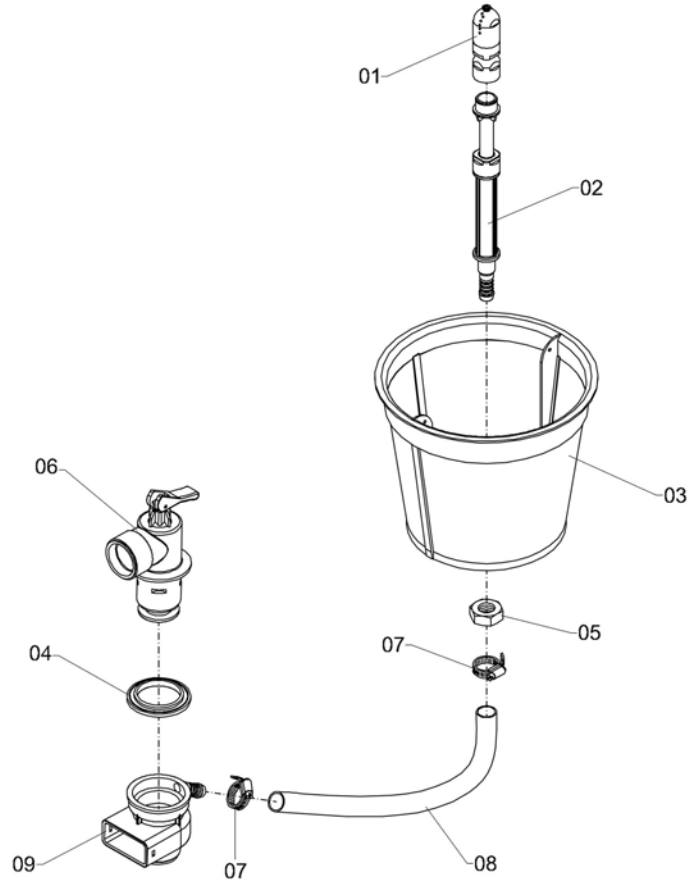


F-66

Item	CODE	DESCRIPTION	Qty.	Item	CODE	DESCRIPTION	Qty.
00	057992	Suction filter with valve for 100 L/min	1				
01	005785	Filter body	1				
02	006007	Cap - FVS 100	1				
03	005827	Filter handle	1				
04	005850	Half-strap	1				
05	005900	Lock nut - Filter	1				
06	005918	Retaining ring	1				
07	810697	Hex head bolt - M6 x 1 x 20 - CL. 8.8	4				
08	005967	Spring seat	1				
09	005975	Washer	2				
10	006148	Compression spring - Stainless steel	1				
11	010967	Half-strap with support	1				
12	011734	Knobbed screw	1				
13	012138	Sealing ring - OR1-241	1				
14	012146	Ring - ø40	1				
15	012492	Double filtering element - mesh 60	1				
16	105288	Heavy elastic pin - 4 x 20	1				
17	110817	Valve	1				
18	416669	Sealing ring - OR1-110	2				
19	521666	Locking washer - ø6 - steel	4				
20	730309	Hex nut - M6 x 1.00 - Stainless steel	4				
21	006015	Valve seat	1				
22	005793	Filter cover	1				

Controlled copy – Distribution and reproduction prohibited

CHEMICAL CONTAINER CLEANING NOZZLE - NR 8

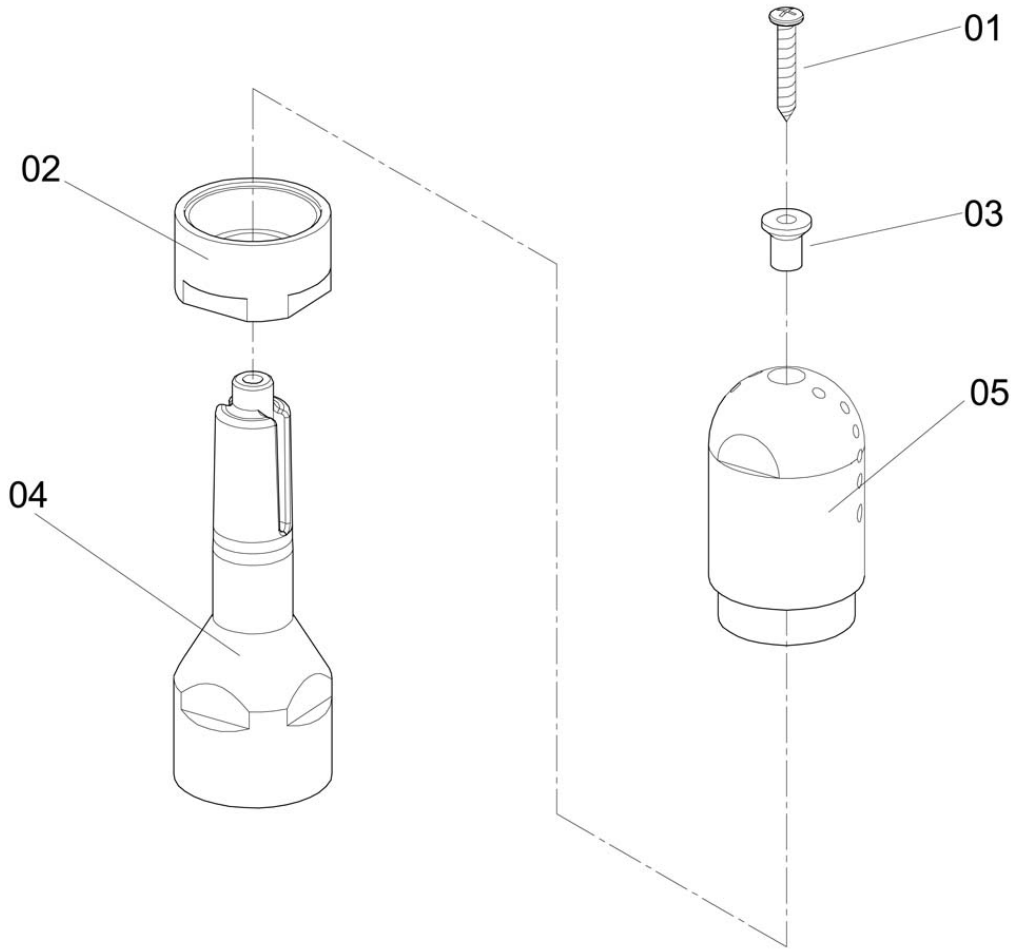


KIT-166

Item	CODE	DESCRIPTION	Qty.	Item	CODE	DESCRIPTION	Qty.
00	136648	Chemical container cleaning nozzle - NR 8	1				
01	071944	Rinse nozzle	1				
02	088237	Chemical container cleaning nozzle rod	1				
03	061788	Strainer - 190-2T	1				
04	088245	Sealing ring	2				
05	938498	Hex nut - M16 x 2.00	1				
06	136879	Valve - container cleaning nozzle	1				
07	107664	Clamp D14-22 - stainless steel	2				
08	071886	Hose - Ø 12.7 (1/2") x 600	1				
09	054411	Valve fastener	1				

Controlled copy – Distribution and reproduction prohibited

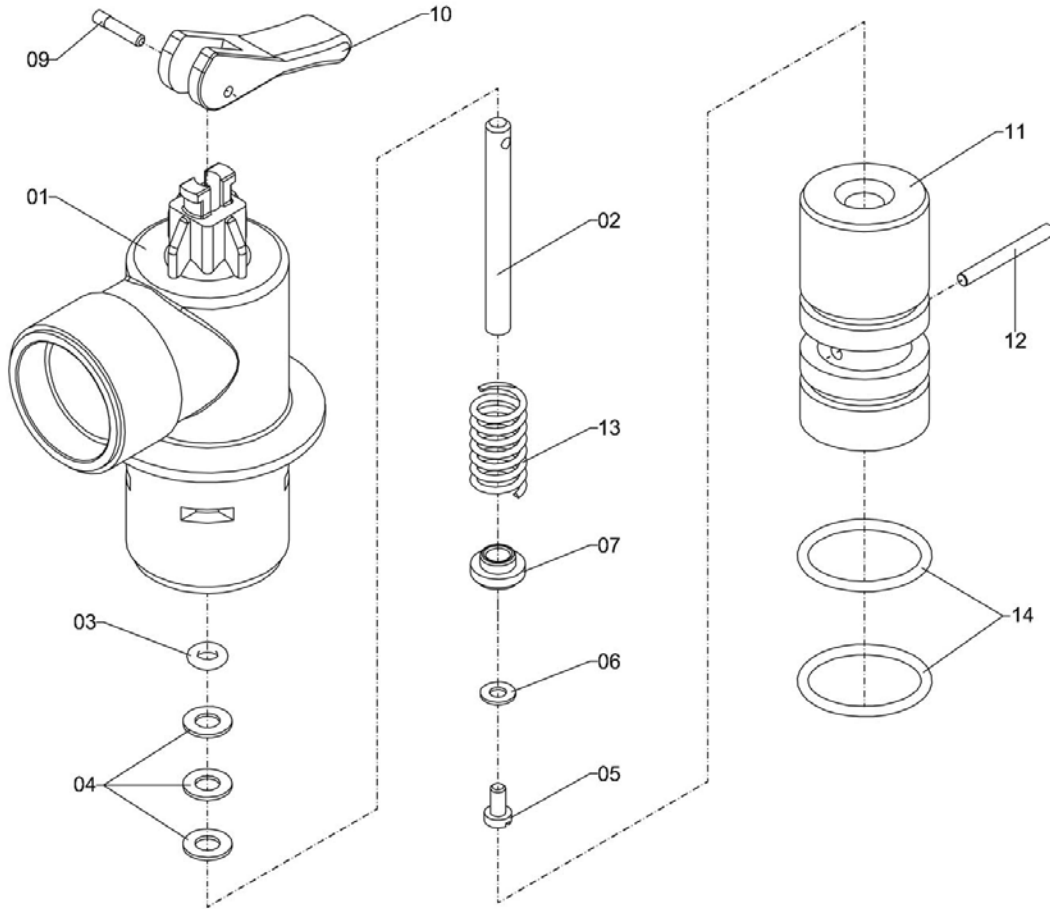
RINSE NOZZLE



KIT-75

Item	CODE	DESCRIPTION	Qty.	Item	CODE	DESCRIPTION	Qty.
00	071944	Rinse nozzle	1				
01	483628	Self-tapping screw - PH.ø 2.9 X 22	1				
02	059055	Nozzle nut	1				
03	061119	Bushing	1				
04	058909	Nozzle core	1				
05	060426	Nozzle body	1				

VALVE - CONTAINER CLEANING NOZZLE

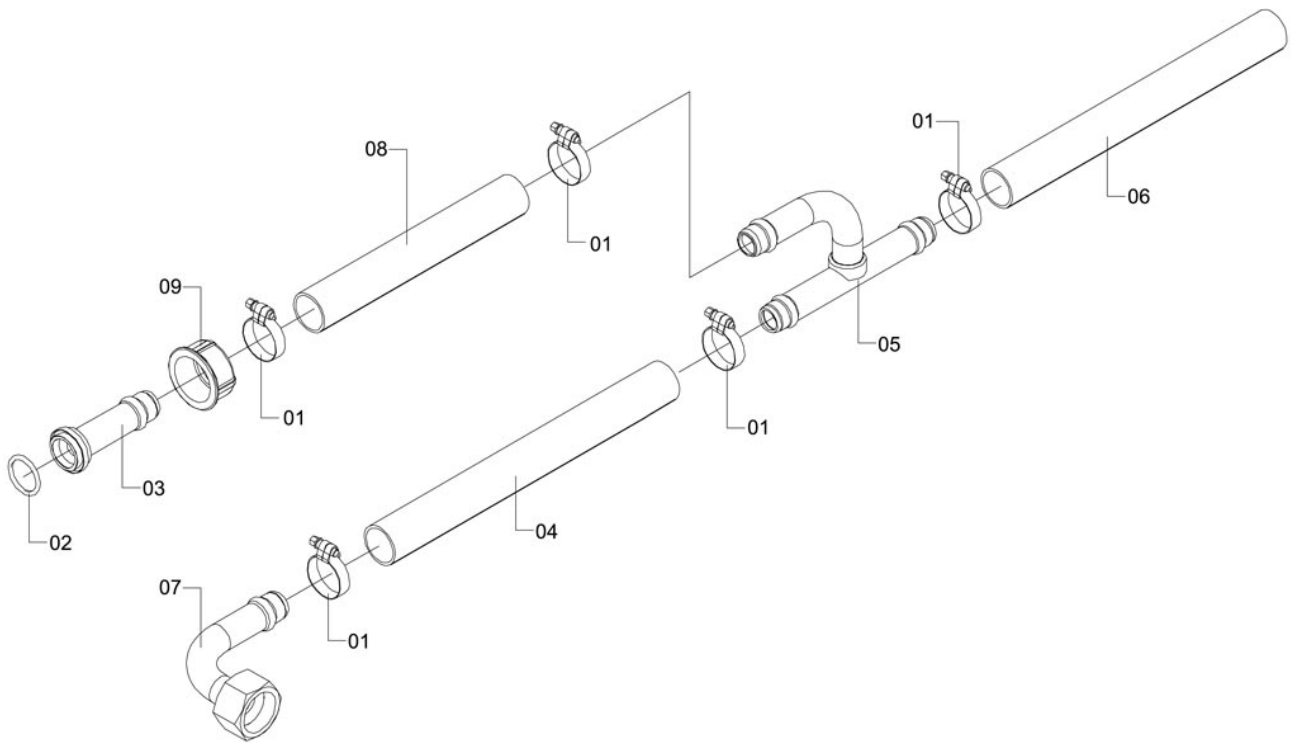


CV-108

Item	CODE	DESCRIPTION	Qty.	Item	CODE	DESCRIPTION	Qty.
00	136879	Valve - container cleaning nozzle	1				
01	054403	Valve body	1				
02	049841	Spring guide pin	1				
03	050237	Sealing ring - OR2-108	1				
04	050195	Flat washer - 64 x 125 x 95 - stainless steel	3				
05	050211	Slotted bolt - M4 x 8	1				
06	050187	Flat washer - Ø4.3 x Ø9 x 0.8 - stainless steel	1				
07	048199	Seal	1				
08	050203	Flat washer - 90 x 142 x 95	1				
09	049858	Lever pin	1				
10	054445	Rinse nozzle lever	1				
11	136853	Valve core	1				
12	136861	Lock pin	1				
13	044057	Compression spring - Ø12.7	1				
14	011668	O-ring OR1-122	2				

Controlled copy – Distribution and reproduction prohibited

HOSE - CHEMICAL CONTAINER CLEANING NOZZLE

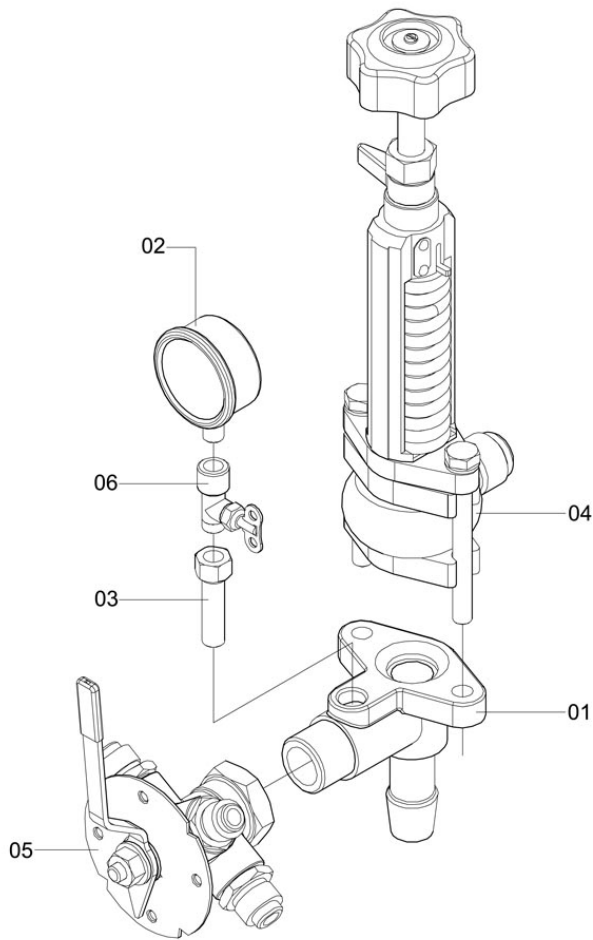


CD-757

Item	CODE	DESCRIPTION	Qty.	Item	CODE	DESCRIPTION	Qty.
00	159798	Hose - Chemical container cleaning nozzle	1				
01	107664	Clamp D14-22 - stainless steel	5				
02	731521	Sealing ring - OR1-124	1				
03	731539	Hose fitting 1/2"	1				
04	831453	Hose - MBP - \varnothing 1/2" x 170	1				
05	127753	T-fitting - 90°	1				
06	223263	Hose - 1/2" x 380	1				
07	317529	Elbow - 1/2" x 90°	1				
08	702480	Hose - \varnothing 1/2" x 900 (supplied per meter)	1				
09	005884	Round nut - 1.1/4" BSP	1				

Controlled copy – Distribution and reproduction prohibited

CONTROL "8"

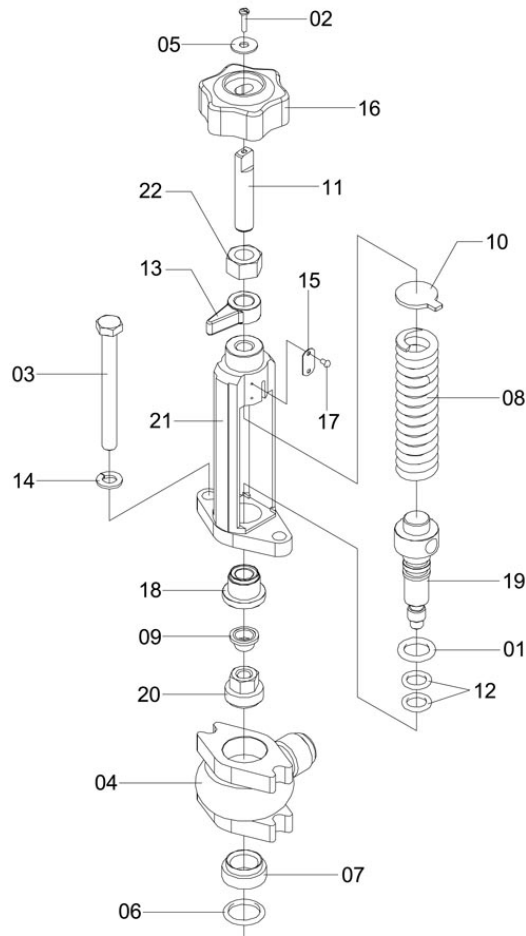


CV-454

Item	CODE	DESCRIPTION	Qty.	Item	CODE	DESCRIPTION	Qty.
00	220632	Control "8"	1				
01	220665	Control body with fitting - \varnothing 3/4"	1				
02	551945	Glycerin- filled pressure gauge - 40 kgf/cm ²	1				
03	220699	Pressure gauge extension	1				
04	220707	Pressure regulator with quick relief	1				
05	220764	4-way valve - Model C	1				
06	507319	Needle valve for pressure gauge	1				

Controlled copy – Distribution and reproduction prohibited

PRESSURE REGULATOR WITH QUICK RELIEF

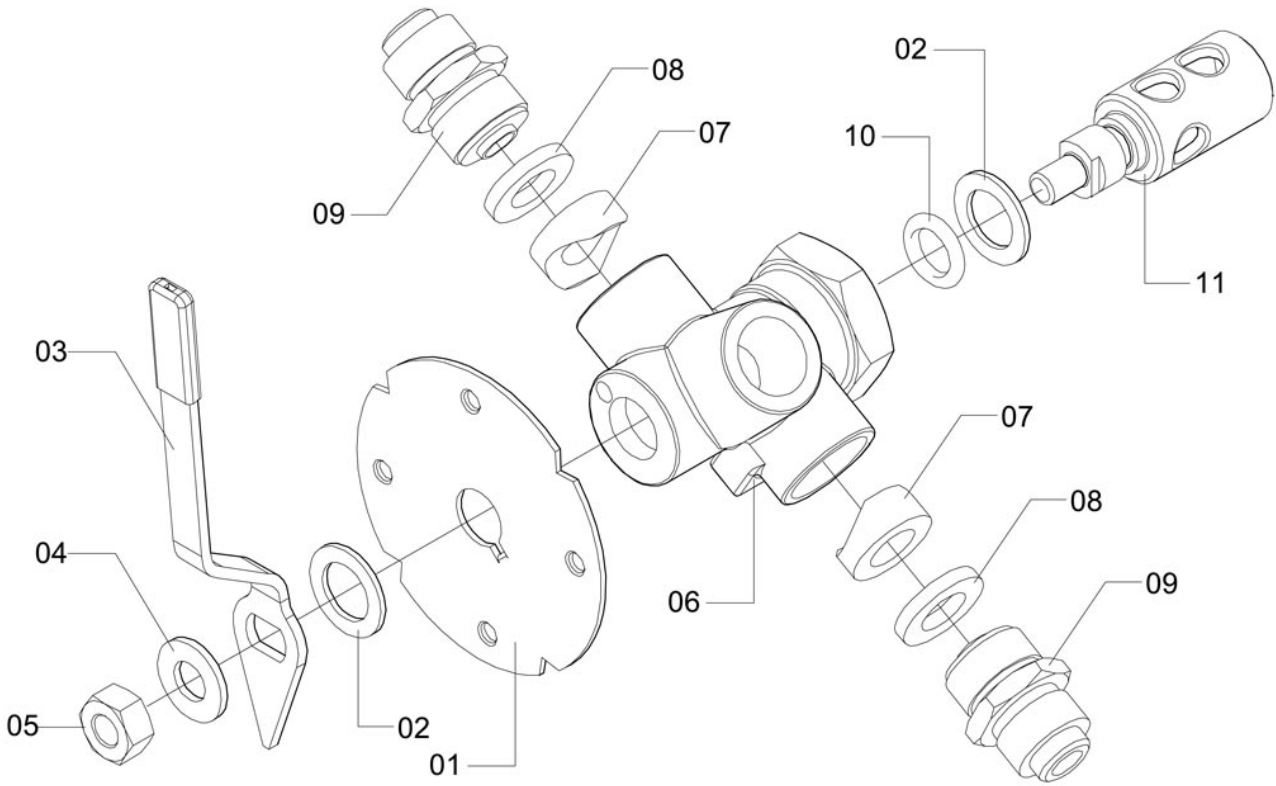


CV-296

Item	CODE	DESCRIPTION	Qty.	Item	CODE	DESCRIPTION	Qty.
00	220707	Pressure regulator with quick relief	1				
01	011676	Sealing ring - OR1-111	1				
02	100198	Slotted bolt - M4 x 10 x 0.7	1				
03	247402	Hex bolt - M8 x 1.25 x 90 CL70	2				
04	241885	Regulator body	1				
05	314799	Flat washer \varnothing 5.3 x 15 x 1.2 - stainless steel	1				
06	328963	Sealing ring - OR1-212	1				
07	329029	Valve seat	1				
08	329052	Compression spring	1				
09	329060	Diaphragm	1				
10	329128	Indicator plate	1				
11	329136	Adjusting bolt - 1/2" UNF x 62	1				
12	417709	O-ring OR1 -012	2				
13	508481	Lock nut - 1/2" - 20 UNF	1				
14	519736	Locking washer - \varnothing 8	2				
15	535906	Plate	1				
16	610089	Knob	1				
17	728246	Round head rivet	2				
18	831578	Pin guide	1				
19	831586	Spring guide pin	1				
20	831594	Valve \varnothing 19	1				
21	833012	Pressure regulator cylinder	1				
22	907642	Nut - 1/2" - 20 UNF - 5 degree	1				

Controlled copy – Distribution and reproduction prohibited

4-WAY VALVE - MODEL C

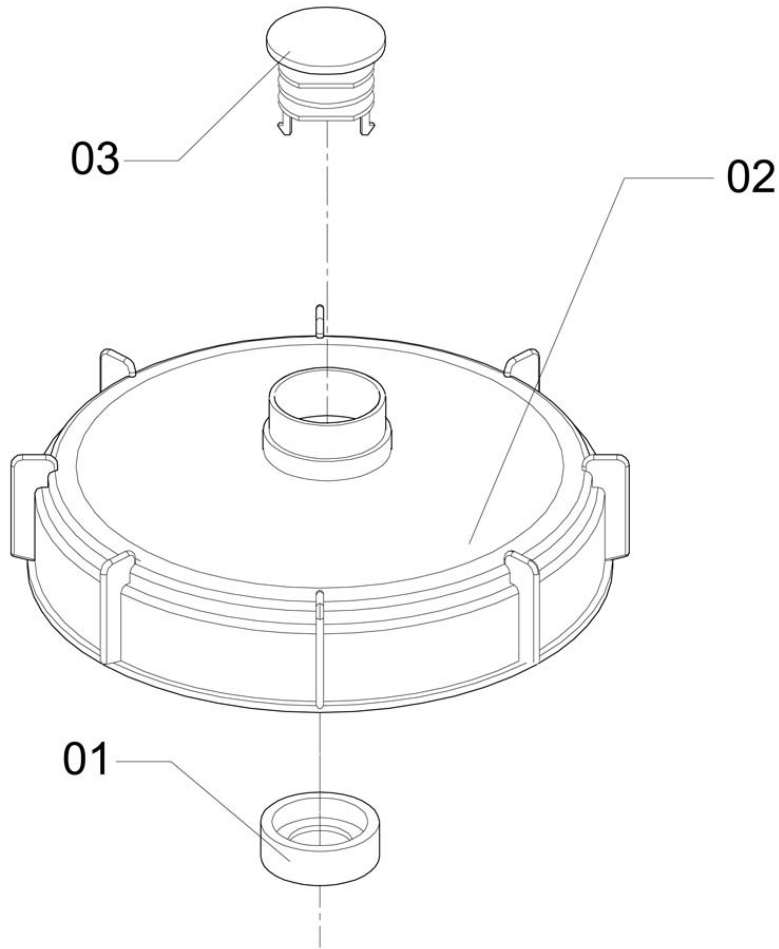


CV-36

Item	CODE	DESCRIPTION	Qty.	Item	CODE	DESCRIPTION	Qty.
00	220764	4-way valve - Model C	1				
01	220772	Positioner plate	1				
02	414748	Sealing washer	2				
03	419374	Valve lever	1				
04	013433	Flat washer - Ø8.4 x Ø16 x 1.6 steel	1				
05	912758	Hex nut - 5/16"- 18 UNC	1				
06	416107	4-way valve body	1				
07	414763	Sealing ring seat -ø 28 x 8	3				
08	414771	Sealing ring - ø 20 x 11 x 3.0	3				
09	415919	Nipple - 1/2" BSP x 7/8" UNF	3				
10	416669	Sealing ring - OR1-110	1				
11	417055	4-way valve core	1				

Controlled copy – Distribution and reproduction prohibited

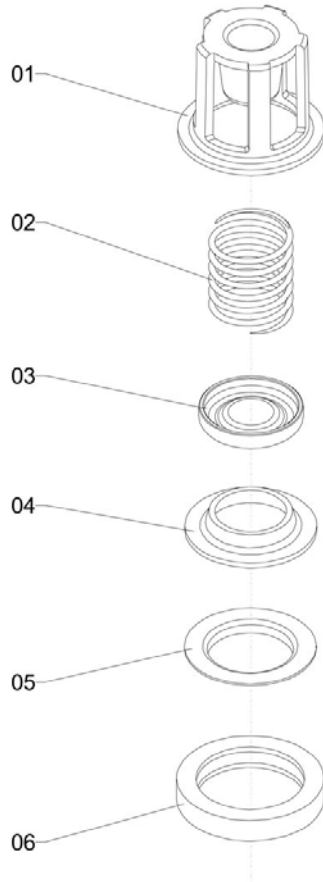
LID WITH BREATHER



D-101

Item	CODE	DESCRIPTION	Qty.	Item	CODE	DESCRIPTION	Qty.
00	037374	Lid with breather	1				
01	088419	Labyrinth lock	1				
02	233965	Spray tank lid	1				
03	088427	Labyrinth	1				

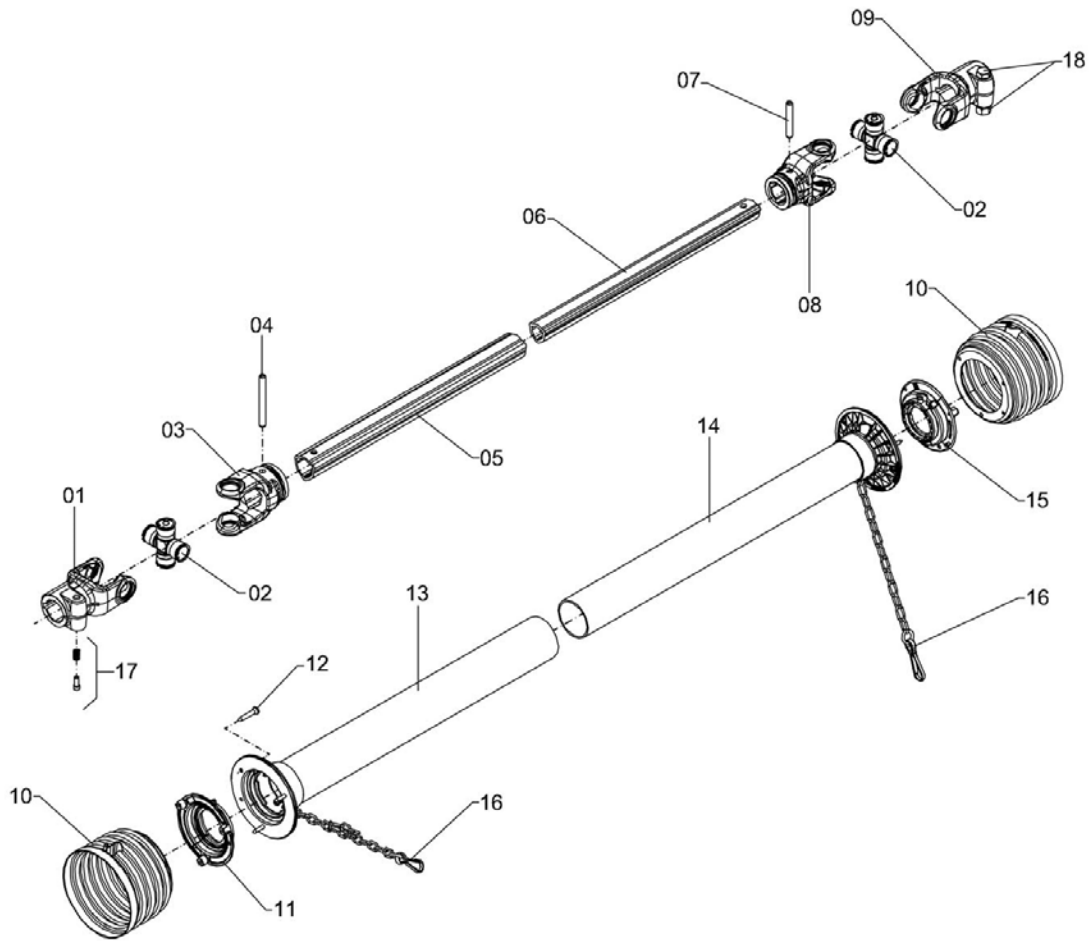
VALVE FOR PUMP - Ø 18



B-137

Item	CODE	DESCRIPTION	Qty.	Item	CODE	DESCRIPTION	Qty.
00	261404	Valve for pump - ø 18	1				
01	073809	Cage	1				
02	088070	Compression spring ø 19.7 z LO= 23.1	1				
03	088187	Disk - ø 21.9/22	1				
04	407296	Valve seat	1				
05	508317	Guide ring - pump valve	1				
06	508333	Valve sealing	1				

CONVENTIONAL DRIVE SHAFT - 510 102 Z =6 X Ø30

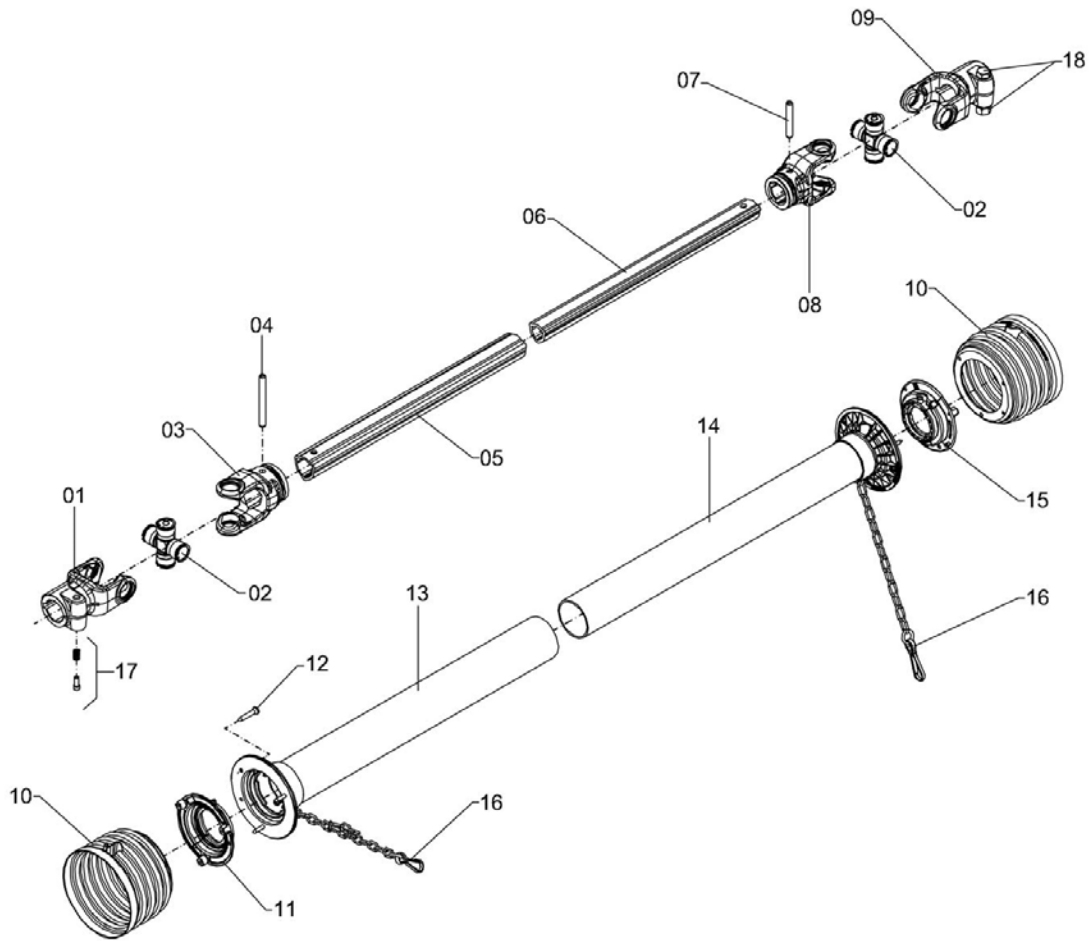


CN-36

Item	CODE	DESCRIPTION	Qty.	Item	CODE	DESCRIPTION	Qty.
00	1225458	Conventional drive shaft - 510 102 Z =6 x Ø30	1				
01	207589	Tractor yoke with lock (1.3/8"Z=6)	1				
02	1230406	Cross piece	2				
03	952761	Inner profile yoke - Tractor end	1				
04	207449	Heavy elastic pin - 8 x 55	1				
05	643783	Outer tube - REF." BONDIOLI " NR. 225050	1				
06	643791	Inner tube - REF." BONDIOLI " NR. 225040	1				
07	912626	Elastic pin	1				
08	1230322	Inner profile yoke - Implement end	1				
09	1241183	Implement yoke - 5090C6251	1				
10	1230335	Cross piece guard - PTO end	2				
11	1230405	Protector lock	1				
12	856229	Self-tapping pan head screw - PH. 4.8 X 22	6				
13	1230417	Outer tube cap	1				
14	1230415	Inner tube cap	1				
15	1230404	Protector lock	1				
16	1239139	Drive shaft chain	2				
17	210641	Lock with spring	1				
18	1239164	Fastening item	1				

Controlled copy – Distribution and reproduction prohibited

CONVENTIONAL DRIVE SHAFT - 510 102 Z= 8 X Ø30

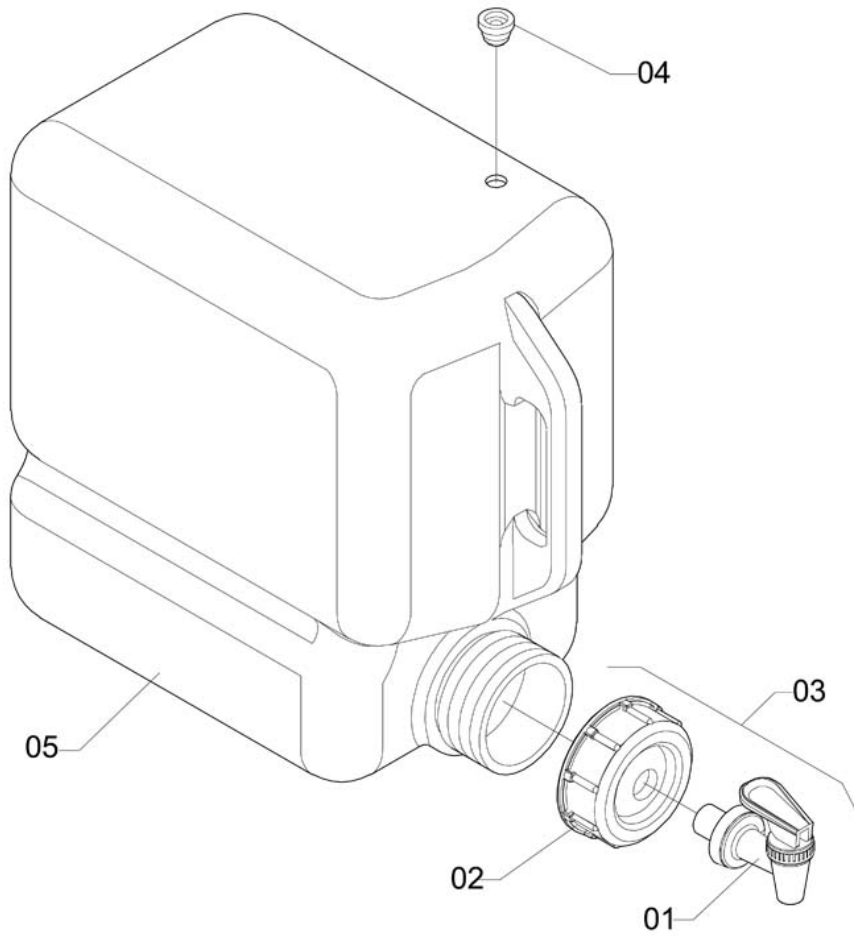


CN-36

Item	CODE	DESCRIPTION	Qty.	Item	CODE	DESCRIPTION	Qty.
00	1225459	Conventional drive shaft - 510 102 Z= 8 x Ø30	1				
01	1230409	Inner profile yoke - Implement end	1				
02	1230406	Cross piece	2				
03	952761	Inner profile yoke - Tractor end	1				
04	912626	Elastic pin	1				
05	643783	Outer tube - REF." BONDIOLI " NR. 225050	1				
06	643791	Inner tube - REF." BONDIOLI " NR. 225040	1				
07	207449	Heavy elastic pin - 8 x 55	1				
08	1230322	Inner profile yoke - Implement end	1				
09	1241183	Implement yoke - 5090C6251	1				
10	1230335	Cross piece guard - PTO end	2				
11	1230405	Protector lock	1				
12	856229	Self-tapping pan head screw - PH. 4.8 X 22	6				
13	1230417	Outer tube cap	1				
14	1230415	Inner tube cap	1				
15	1230404	Protector lock	1				
16	1239139	Drive shaft chain	2				
17	210641	Lock with spring	1				
18	457192	Bolt and nut	1				

Controlled copy – Distribution and reproduction prohibited

15-LITER TANK ASSEMBLY

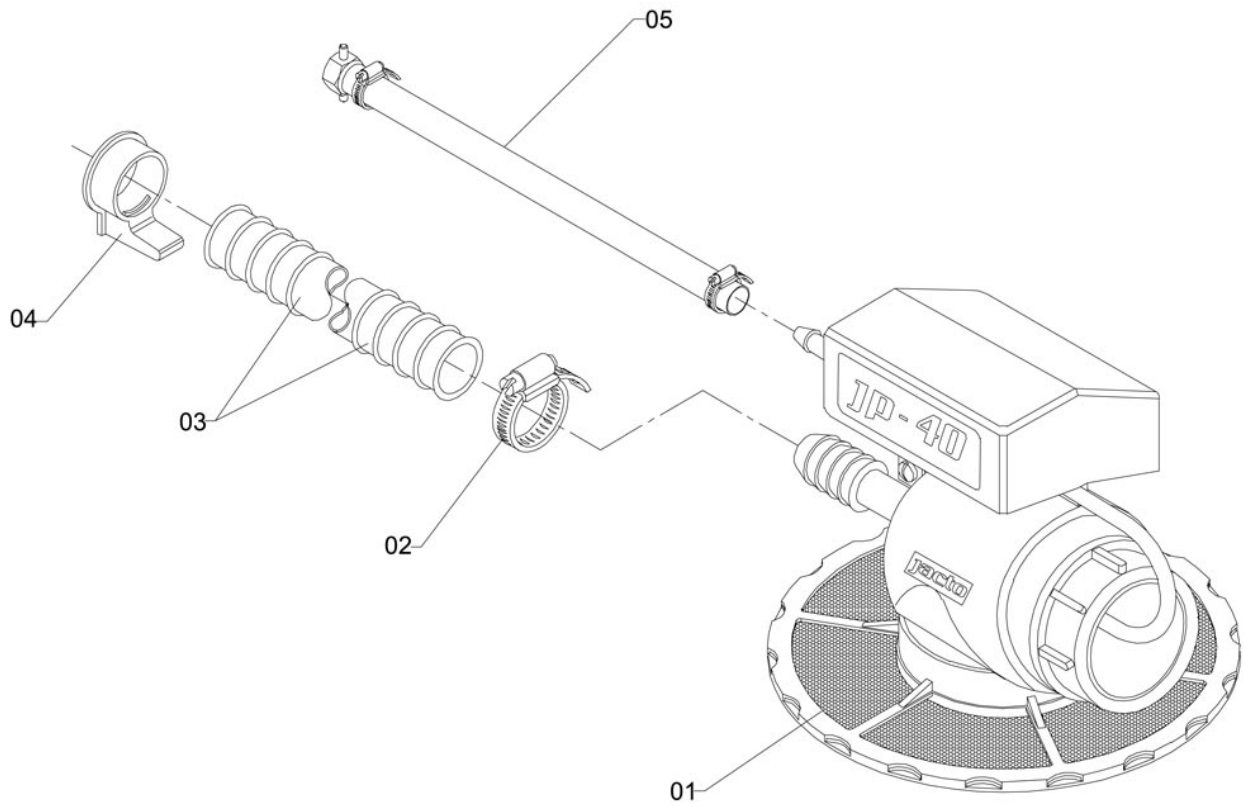


D-114

Item	CODE	DESCRIPTION	Qty.	Item	CODE	DESCRIPTION	Qty.
00	299768	15-liter tank assembly	1				
01	044180	Plastic tap - 23 x 3/8" BSP	1				
02	557462	Cover	1				
03	619064	Cover with tap	1				
04	247270	Breather	1				
05	299875	15 liter tank	1				

Controlled copy – Distribution and reproduction prohibited

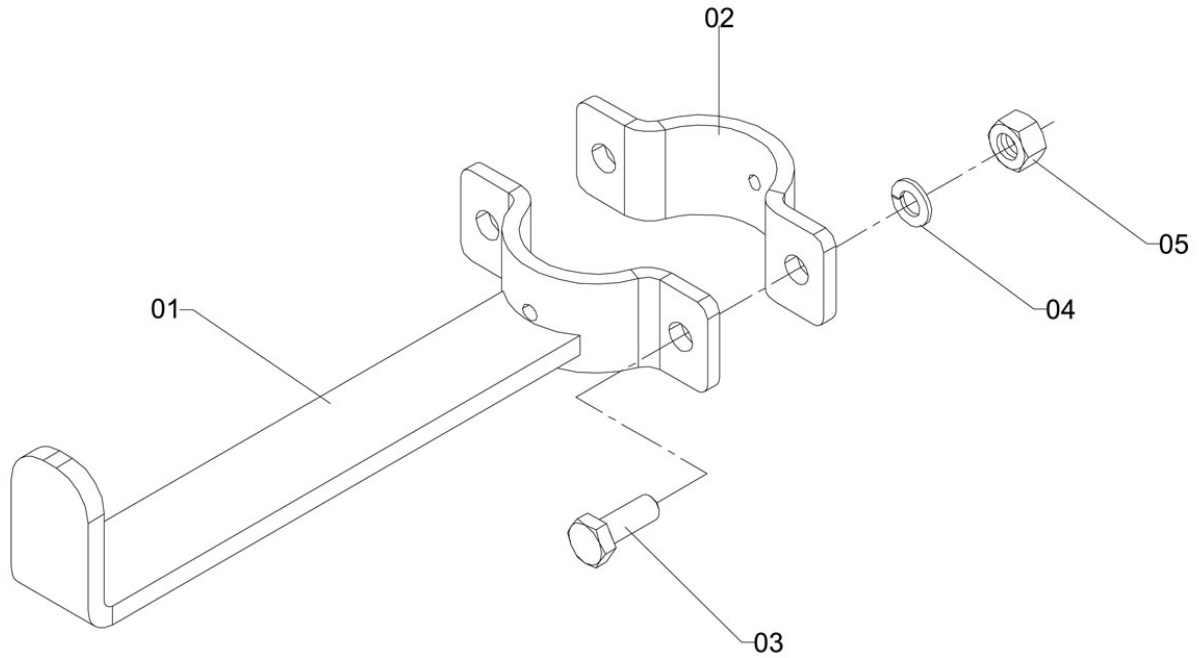
EJECTOR FOR 40 L/MIN (10-METER HOSE)



A-53

Item	CODE	DESCRIPTION	Qty.	Item	CODE	DESCRIPTION	Qty.
00	058551	Ejector for 40 L/min (10-meter hose)	1				
01	058544	Hose - ø 3/8" x 1000 - assembly	1				
02	455006	Hose bracket	1				
03	457895	Hose - 1.1/4" x 10000	1				
04	911115	Clamp - D32-44 - stainless steel	1				
05	913400	Ejector - 40 L/min without hose	1				

DRIVE SHAFT SUPPORT

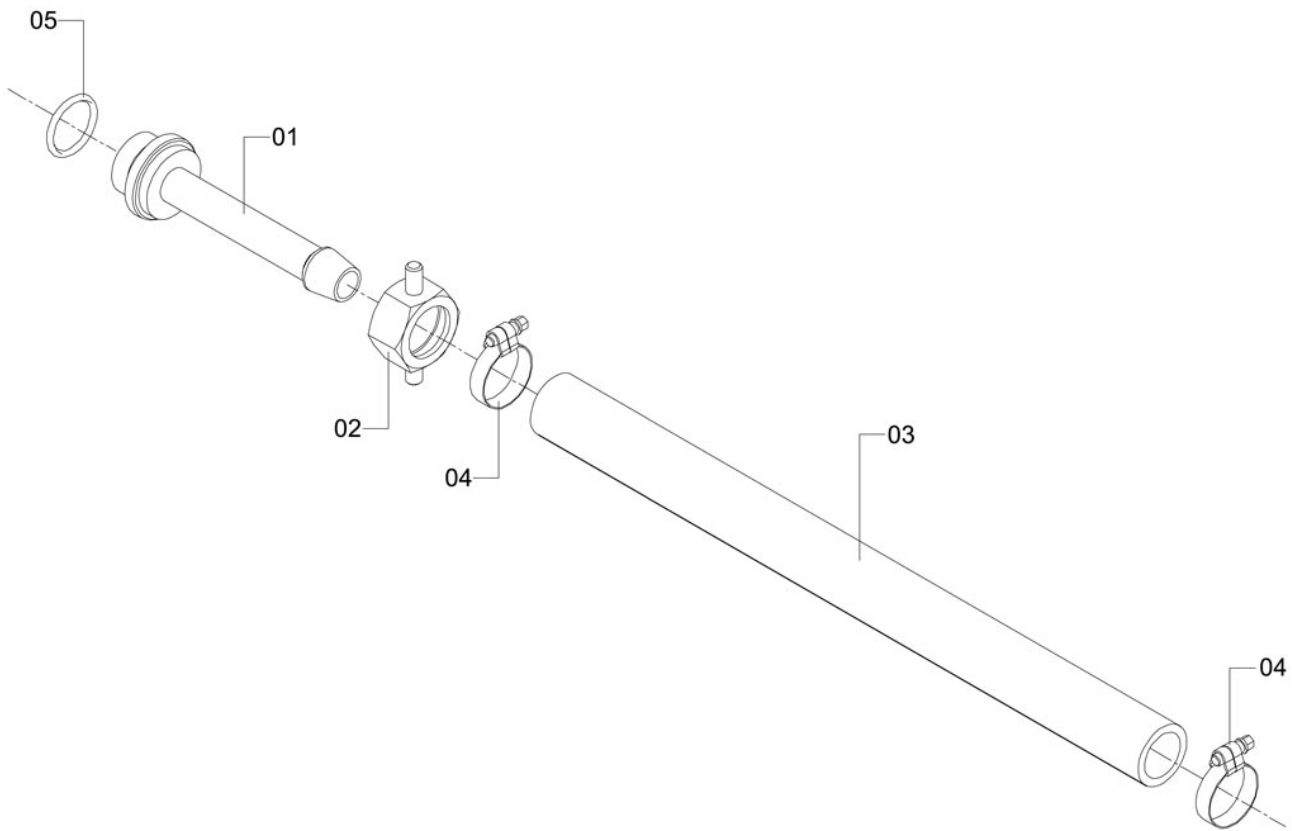


CXA-465

Item	CODE	DESCRIPTION	Qty.	Item	CODE	DESCRIPTION	Qty.
00	1185915	Drive shaft support	1				
01	1176044	Drive shaft support	1				
02	288910	Half clamp for tubes 42.4	1				
03	829382	Hex bolt - M8 x 25 x 1.25	2				
04	519736	Locking washer - Ø8	2				
05	810770	Hex nut - M8 x 1.25	2				

Controlled copy – Distribution and reproduction prohibited

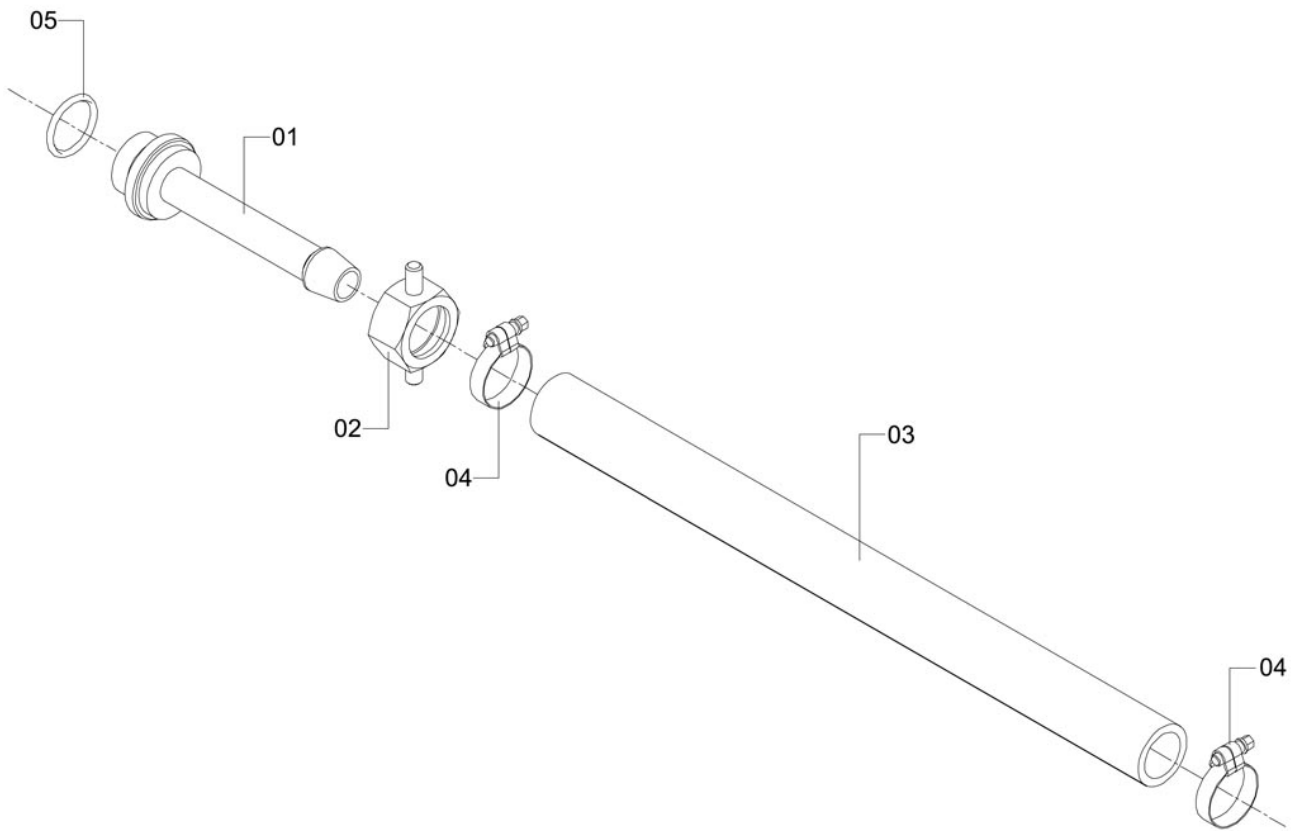
HOSE Ø 3/8" X 5000 - ASSEMBLY



A-39

Item	CODE	DESCRIPTION	Qty.	Item	CODE	DESCRIPTION	Qty.
00	191999	Hose ø 3/8" x 5000 - assembly	1				
01	262741	Hose fitting 3/8" with flange	1				
02	403014	Hex wing nut 3/4" BSP	1				
03	505883	Hose - 3/8" x 5000	1				
04	063370	Clamp - D11-16 - stainless steel	2				
05	832857	Sealing ring - OR1-115	1				

HOSE - Ø 3/8" X 1000 - ASSEMBLY

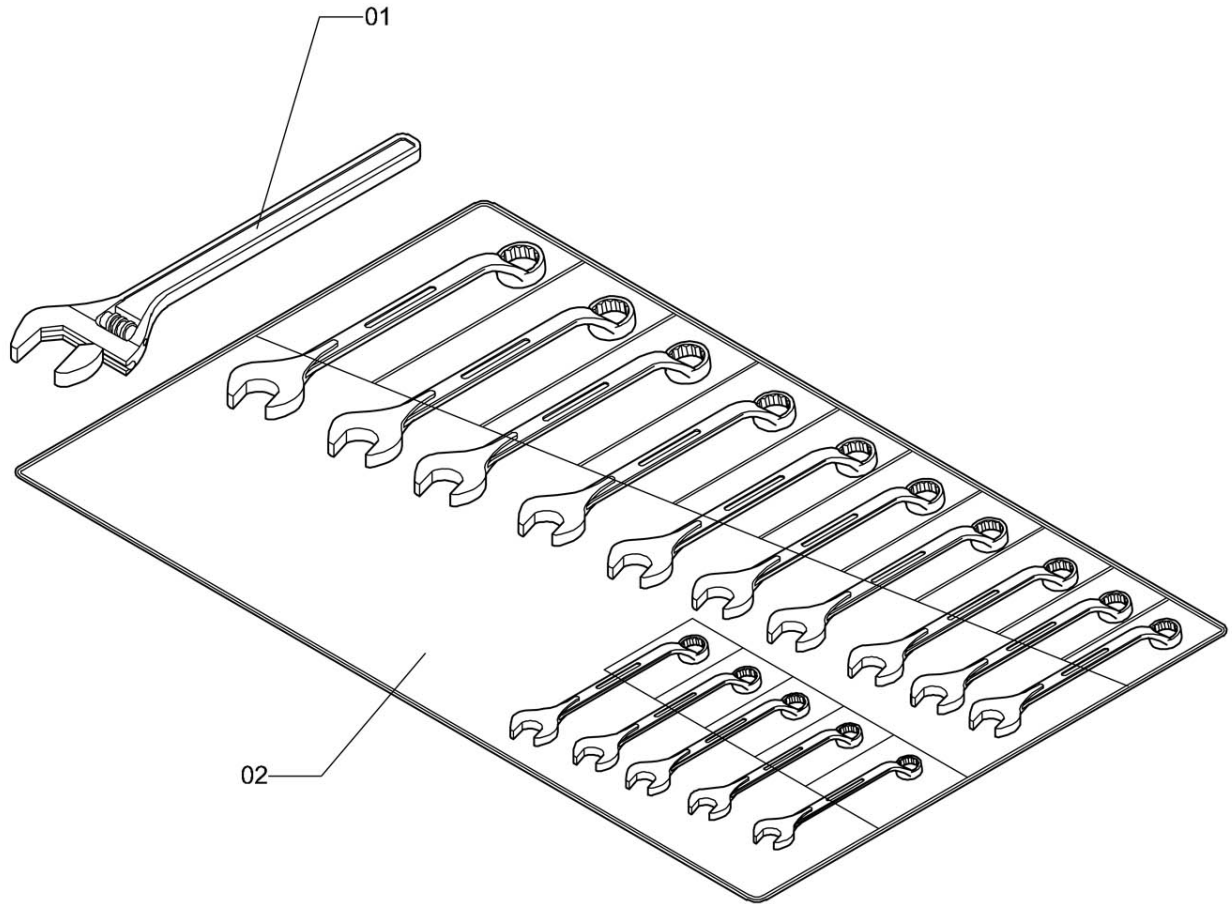


A-39

Item	CODE	DESCRIPTION	Qty.	Item	CODE	DESCRIPTION	Qty.
00	058544	Hose - ø 3/8" x 1000 - assembly	1				
01	262741	Hose fitting 3/8" with flange	1				
02	403014	Hex wing nut 3/4" BSP	1				
03	457465	Hose - Ø 3/8" x 10000	1				
04	063370	Clamp - D11-16 - stainless steel	2				
05	832857	Sealing ring - OR1-115	1				

Controlled copy – Distribution and reproduction prohibited

ASSEMBLY - COMBINATION WRENCH + SCREW WRENCH (FOR EXPORT)

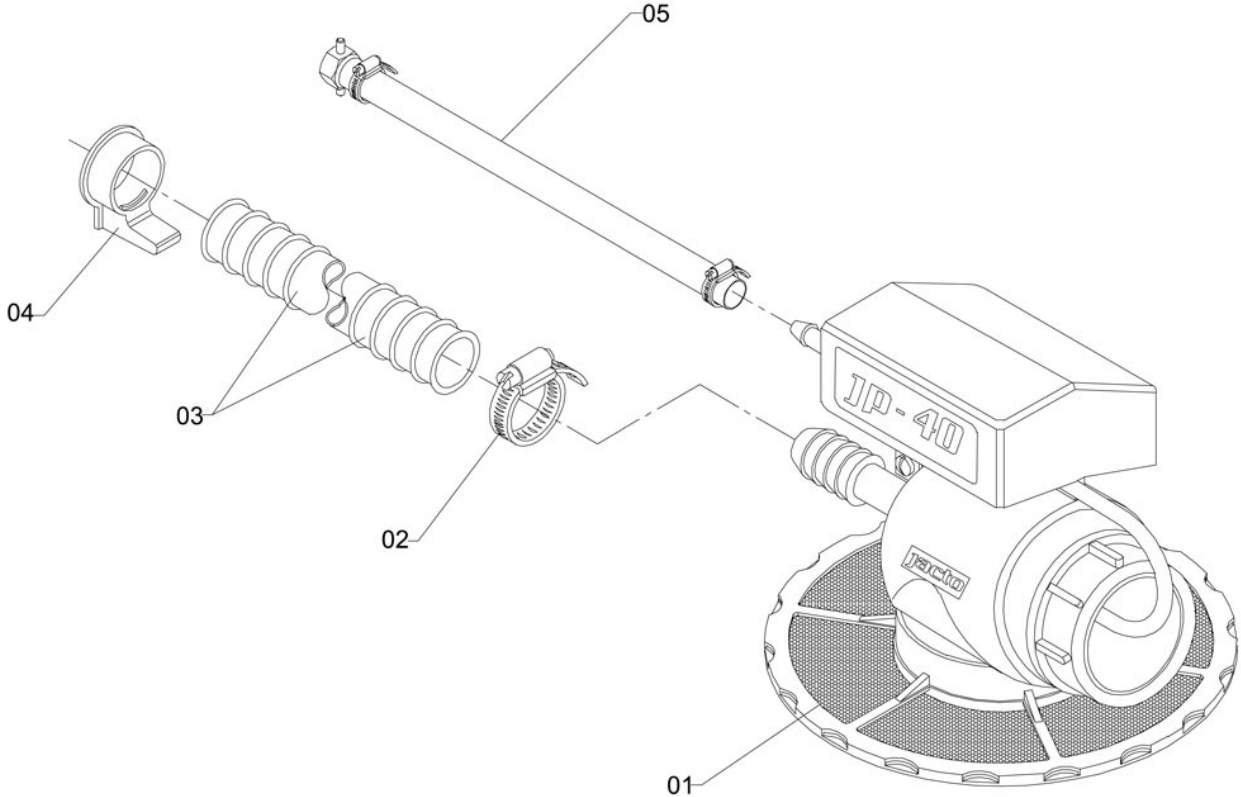


CXA-140

Item	CODE	DESCRIPTION	Qty.	Item	CODE	DESCRIPTION	Qty.
00	489211	Assembly - combination wrench + screw wrench (for export)	1				
01	489260	Screw wrench 18" (for export)	1				
02	489229	Combination wrench set - "ROBUST" (for export)	1				

Controlled copy – Distribution and reproduction prohibited

EJECTOR FOR 40 L/MIN (5-METER HOSE)

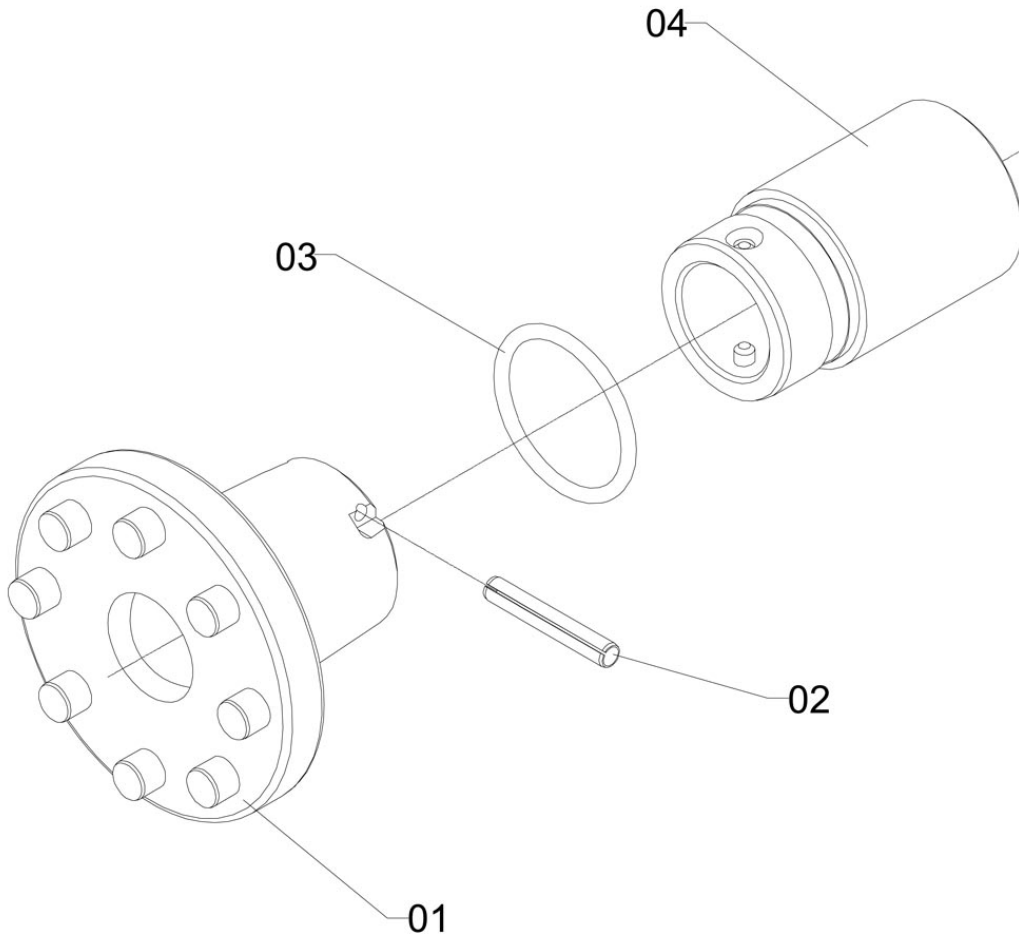


A-53

Item	CODE	DESCRIPTION	Qty.
00	058387	Ejector for 40 L/min (5-meter hose)	1
01	191999	Hose ø 3/8" x 5000 - assembly	1
02	455006	Hose bracket	1
03	511162	Hose - 1.1/4" x 5000 - KE 32 - Green	1
04	911115	Clamp - D32-44 - stainless steel	1
05	913400	Ejector - 40 L/min without hose	1

Item	CODE	DESCRIPTION	Qty.

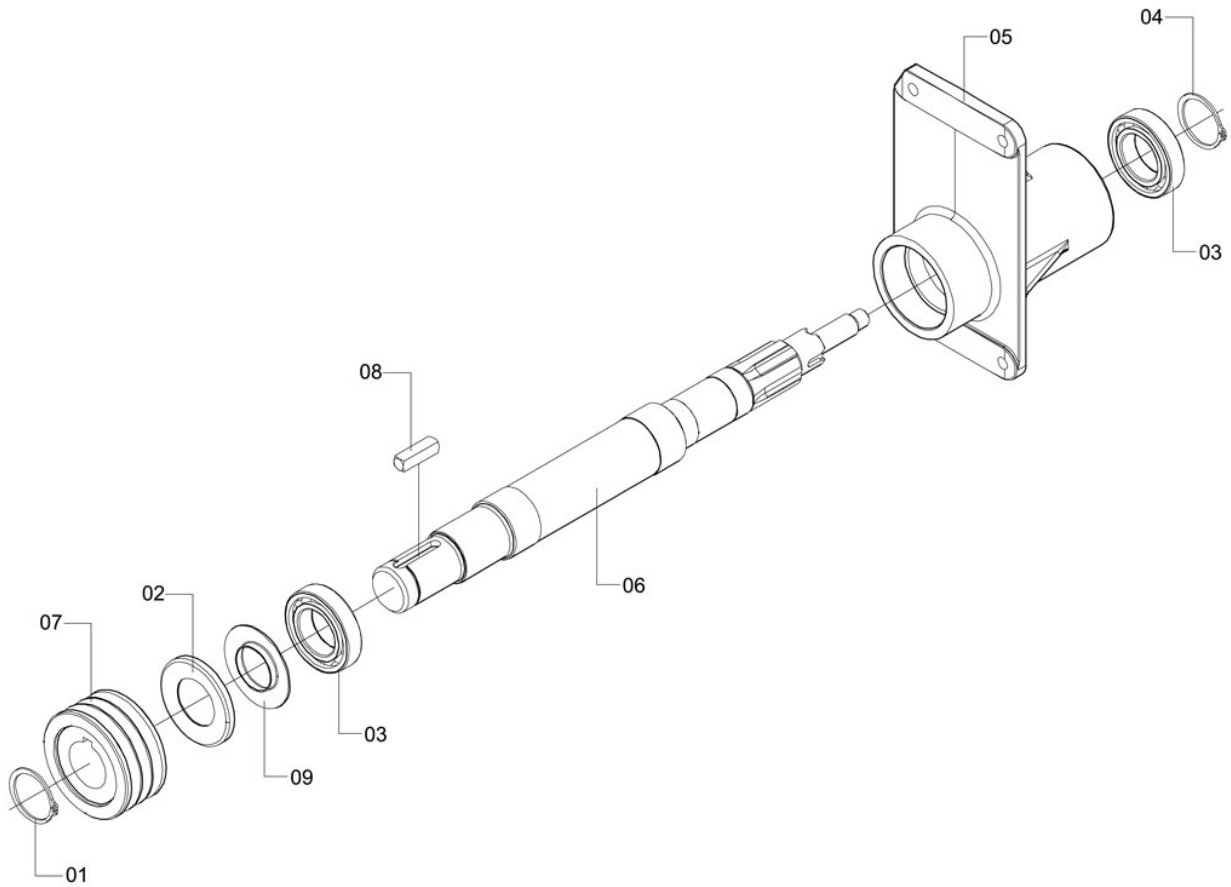
SPLINED HUB WITH HITCH



TMV-52

Item	CODE	DESCRIPTION	Qty.	Item	CODE	DESCRIPTION	Qty.
00	177055	Splined hub with hitch	1				
01	018713	Splined hub with 6 splines with pins	1				
02	427567	Elastic pin - ø 5 x 32	1				
03	011643	Sealing ring - OR1-129	1				
04	201103	Coupling hub	1				

FAN BEARING HOUSING WITH PULLEY - 80 3V

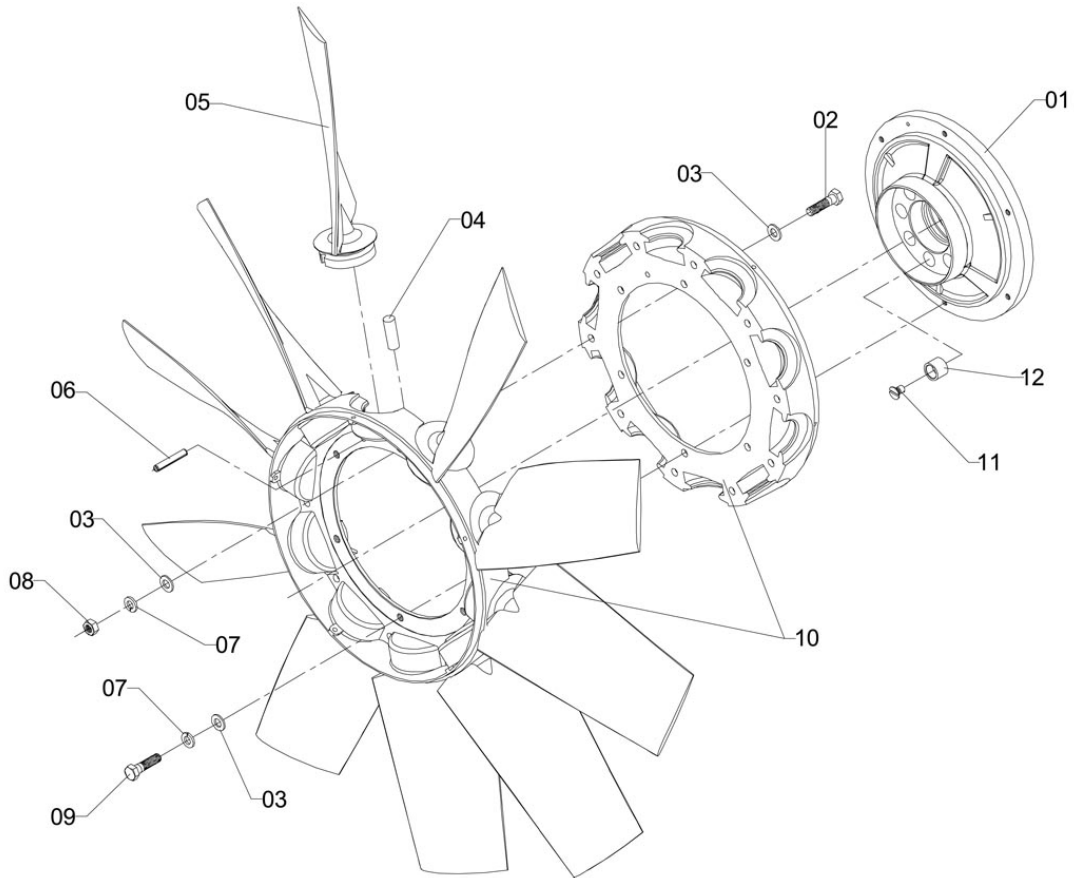


TMV-63

Item	CODE	DESCRIPTION	Qty.	Item	CODE	DESCRIPTION	Qty.
00	157149	Fan bearing housing with pulley - 80 3V	1				
01	203067	Snap ring for shaft - ø35	1				
02	328047	External protection	1				
03	328062	Bearing no. 6207 SKF	2				
04	429563	Snap ring for hole - ø 72	1				
05	820324	Bearing housing body	1				
06	222208	Shaft - 435	1				
07	222315	Pulley - ø 80	1				
08	324624	Square key - 7.94 (5/16") x 40	1				
09	328039	Internal protection	1				

Controlled copy – Distribution and reproduction prohibited

FAN WITH PLASTIC BLADES

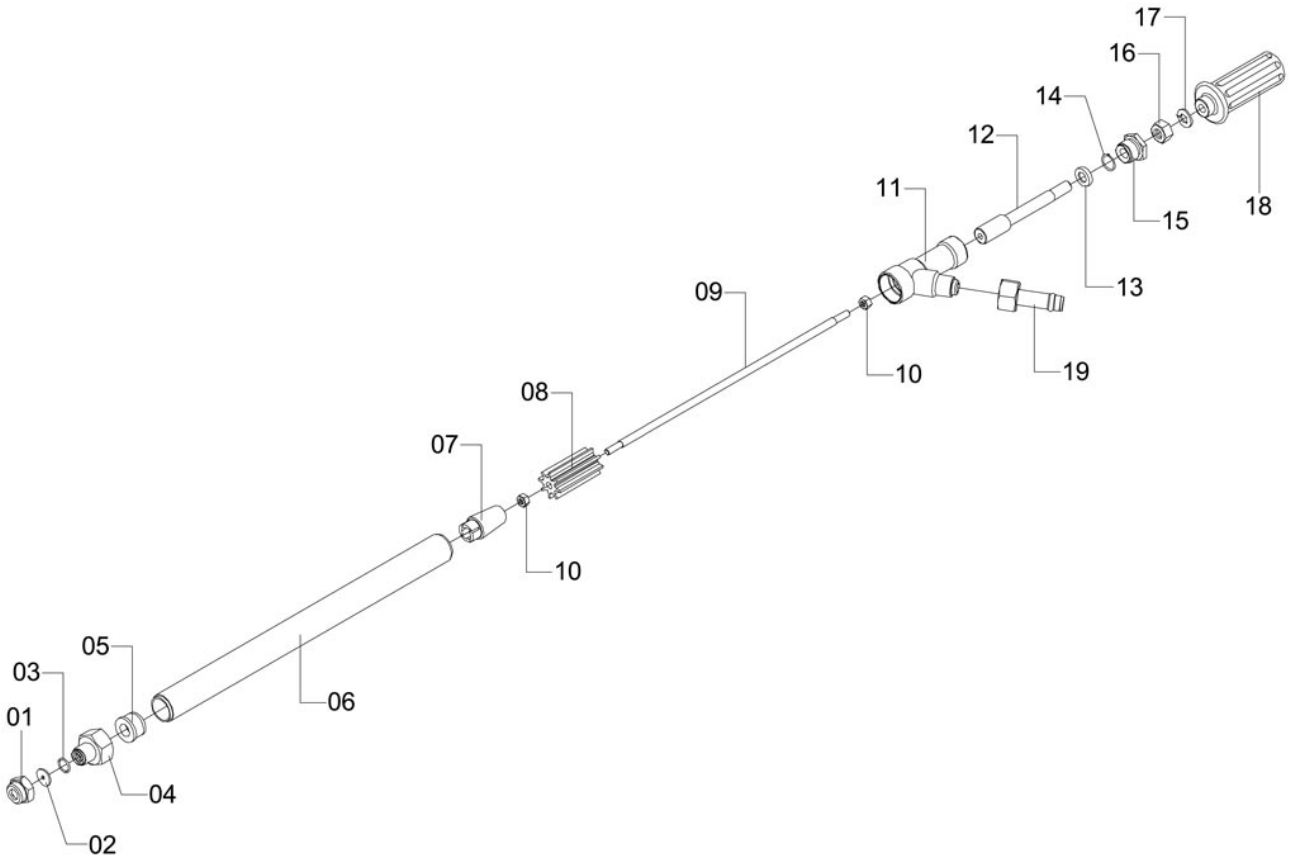


TMV-53

Item	CODE	DESCRIPTION	Qty.	Item	CODE	DESCRIPTION	Qty.
00	157131	Fan with plastic blades	1				
01	018481	Flange hub	1				
02	721704	Bolt - 5/16" UNC 1.1/4" - 5 degree	10				
03	013433	Flat washer - Ø8.4 x Ø16 x 1.6 steel	26				
04	298182	Pin - ø8.40 x 14	10				
05	130666	Fan blade - 615	10				
06	105288	Heavy elastic pin - 4 x 20	1				
07	519736	Locking washer - Ø8	16				
08	912758	Hex nut - 5/16"- 18 UNC	10				
09	826693	Bolt - 5/16" x 1.1/2" - 5 degree	6				
10	018663	Blade fastening flange (outer)	2				
11	939140	Slotted screw - M6 x 16	8				
12	937607	Bushing - 17.6 x 16	8				

Controlled copy – Distribution and reproduction prohibited

SPRAY GUN FOR CITRUS

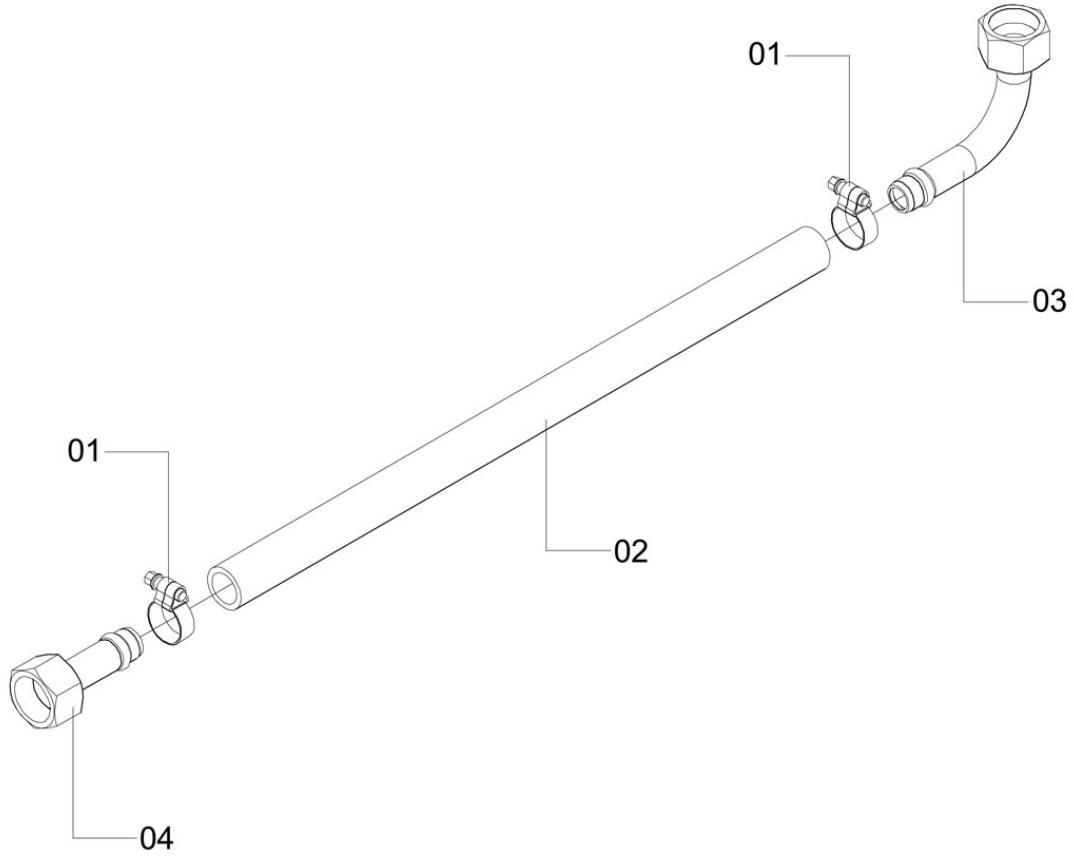


P-10

Item	CODE	DESCRIPTION	Qty.	Item	CODE	DESCRIPTION	Qty.
00	114520	Spray gun for citrus	1				
01	114678	Nut - \varnothing 3/4" UNF	1				
02	622837	Disk no. 11	1				
03	011676	Sealing ring - OR1-111	1				
04	114660	Nozzle body	1				
05	114652	Bushing	1				
06	114629	Conductor	1				
07	114645	Swirl nozzle	1				
08	114637	Guide	1				
09	114611	Extension	1				
10	204131	Nut - \varnothing 1/4" UNF x 4.9	2				
11	114595	Valve body	1				
12	114553	Bolt - \varnothing 7/16" UNC x 3/4" x 125	1				
13	114587	Ring - \varnothing 20.6 x 4	1				
14	114579	Gasket - 3/16" x 50 mm	1				
15	114561	Nut - \varnothing 7/8" UNF	1				
16	916627	Nut - 7/16"- 14 UNC	1				
17	912998	Locking washer - 7/16"	1				
18	114538	Cable with thread - 7/16"	1				
19	413310	Hose fitting \varnothing 12.7 (1/2")	1				

Controlled copy – Distribution and reproduction prohibited

HOSE - SPRAY GUN / CONTROL

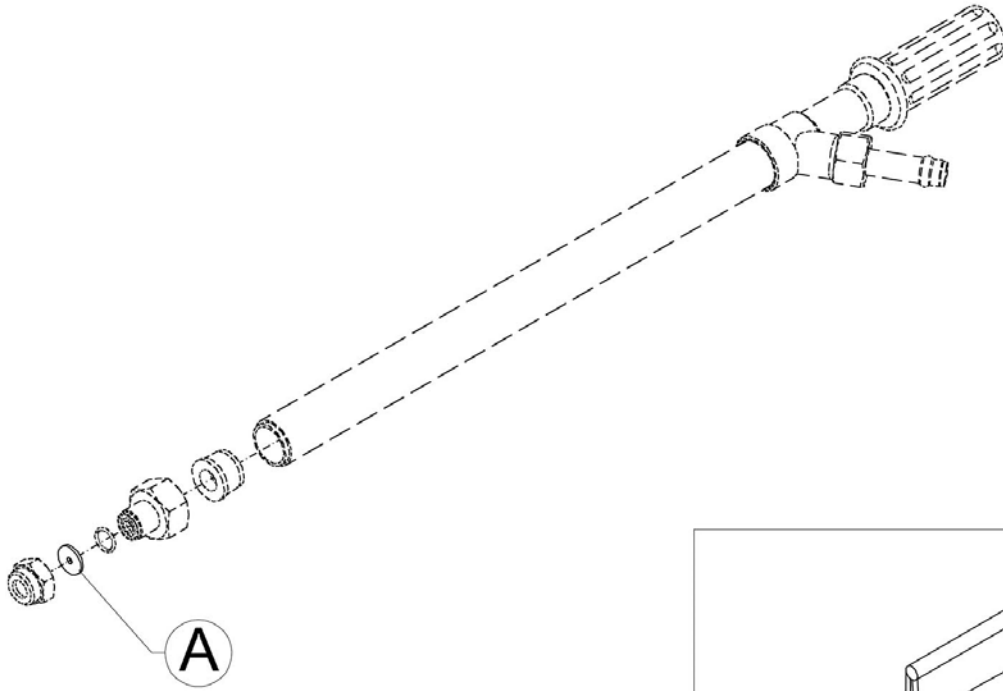


CD-755

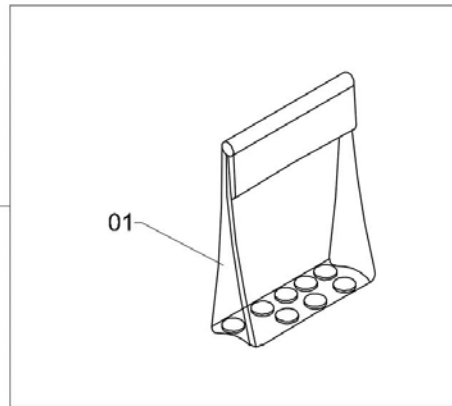
Item	CODE	DESCRIPTION	Qty.	Item	CODE	DESCRIPTION	Qty.
00	364554	Hose - Spray gun / Control	1				
01	107664	Clamp D14-22 - stainless steel	2				
02	221796	Hose - 1/2" (11 meters)	1				
03	317529	Elbow - 1/2" x 90°	1				
04	413310	Hose fitting ø 12.7 (1/2")	1				

Controlled copy – Distribution and reproduction prohibited

DISK SET



A

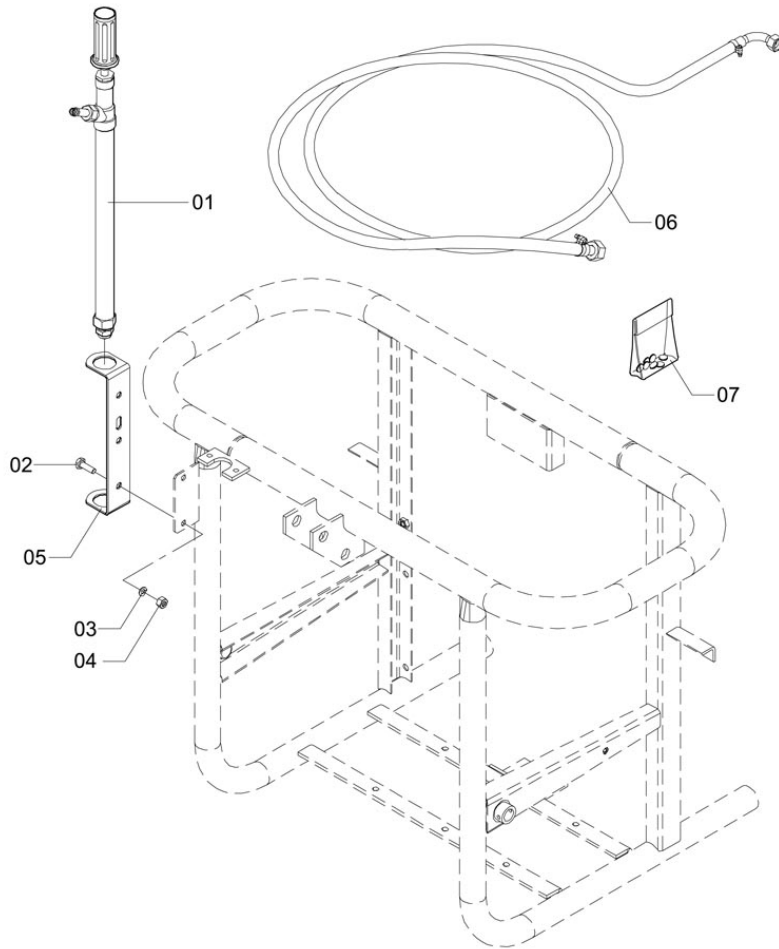


P-8

Item	CODE	DESCRIPTION	Qty.	Item	CODE	DESCRIPTION	Qty.
00	525857	Disk set	1				
01	114686	Disk - 10	1				
01A	202259	Disk no. 8	1				
01B	202267	Disk no. 6	1				
01C	202275	Disk no. 5	1				
01D	622811	Disk no. 7	1				
01E	622829	Disk no. 9	1				
01F	622837	Disk no. 11	1				

Controlled copy – Distribution and reproduction prohibited

CITRUS GUN KIT (OPTIONAL FOR ARBUS)

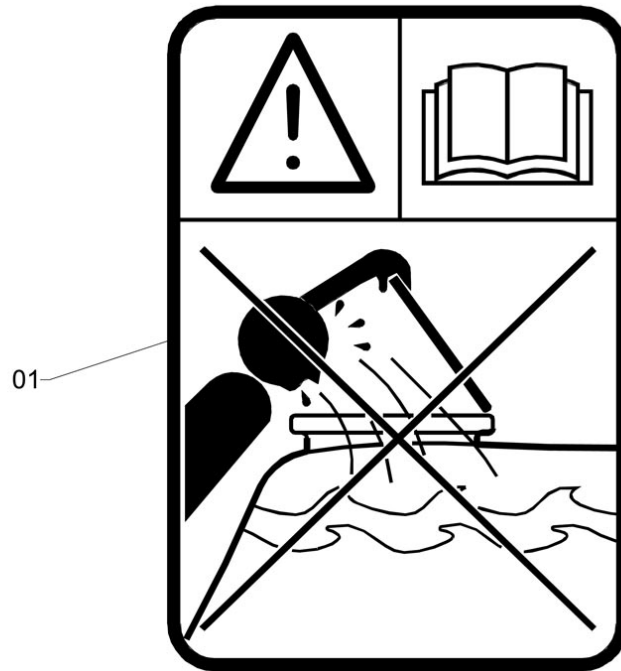


P-9

Item	CODE	DESCRIPTION	Qty.	Item	CODE	DESCRIPTION	Qty.
00	220822	Citrus gun kit (optional for Arbus)	1				
01	114520	Spray gun for citrus	1				
02	663161	Bolt - 3/8" - 16 UNC x 7/8" - 5 degree	2				
03	908566	Locking washer - 3/8"	2				
04	518761	Hex nut - ø 3/8"	2				
05	220830	Gun holder	1				
06	364554	Hose - Spray gun / Control	1				
07	525857	Disk set	1				

Controlled copy – Distribution and reproduction prohibited

STICKER - BE CAREFUL WHEN OPENING THE TANK LID



ADS-200

Item	CODE	DESCRIPTION	Qty.
00	379172	Sticker - Be careful when opening the tank lid	1
01	379172	Sticker - Be careful when opening the tank lid	1

Item	CODE	DESCRIPTION	Qty.