

4400 SERIES CORN HEAD

RECOMMENDED SETTINGS GUIDE

CASE II
AGRICULTURE

RETHINK PRODUCTIVITY



4400 SERIES CORN HEAD

RECOMMENDED SETTINGS GUIDE

CASE IH
AGRICULTURE
RETHINK PRODUCTIVITY

Harvest more of what you grow with a properly set **CASE IH CORN HEAD**.

Follow this simple guide to ensure you are getting the most from your corn crop, even in the most difficult of harvest conditions.

STEP #1. SET THE HEAD TO THE CORRECT ANGLE.

Make sure the head is running at approximately 23 degrees in the cutting position.*

The angle can be measured on the stripper plates (use a angle finder). If you have too flat of an angle, it can increase the amount of leaf material flowing into the combine. Too steep of an angle can result in increased kernel loss due to gravity.

- ❑ *** Adjusting to 23 degrees:** Loosen the feeder face plate bolts. Then, place the header on the combine and lower it to the ground. Loosen the bolts and proceed to raise or lower the feeder house until the 23 degrees is found. Tighten the bolts to 409–457 ft.-lb.
- ❑ *** For down corn conditions:** It is recommended to have a 19–20 degree header angle for a flatter profile to pick up down corn.

Tighten the bolts to 409–457 ft.-lb.



* Correct header angle may depend on crop conditions.

4400 SERIES CORN HEAD

RECOMMENDED SETTINGS GUIDE

CASE IH
AGRICULTURE
RETHINK PRODUCTIVITY

STEP #2. ADJUST THE TIMING ON THE GATHERING CHAINS.

Recommend having the lugs timed or tip to tip.

Having the lugs timed together will provide more aggressive feeding versus having them offset. For conditions with rocks, timed chains may be more likely to pick up rocks when feeding close to the ground. Use the tensioner limit stop, CNH Industrial Part # 48145392, to keep the chains timed.

NOTE: You may be able to only time the ones in front of the feeder to help push trash in while leaving the outer rows staggered.

STEP #3. CHECK THE STRIPPER PLATE GAP.

Ideally, we want to have the rear of the stripper plates 1/8" wider at the back of the deck plates than the front. This helps to reduce plugging at the rear of the deck plates. You can use a 15/16" socket and 1" socket as a measuring tool to check these gaps.

STEP #4. ADJUST THE HYDRAULIC DECK PLATES.

Tighten the deck plates until you see excessive material and upper stalk coming in, then, back your setting off a little.

STEP #5. ADJUST YOUR SPEEDS.

Run the correct corn header speed relative to the ground speed.

The ears should snap on the stripper plates between 1/2 way and 3/4 of the way up the deck plate as you observe from the cab. For Axial-Flow 250 series combines, you have the ability to use the Auto Feeder speed. Engaging this will automatically adjust the corn head speed when the ground speed changes. **The feeder speed should be 570 rpm.**

4400 SERIES CORN HEAD

RECOMMENDED SETTINGS GUIDE

CASE IH
AGRICULTURE
RETHINK PRODUCTIVITY

STEP #6. CHECK THE AUGER HEIGHT.

If your auger is adjustable, we recommend:

- ❑ Raising the auger high enough to allow an ear of corn to slide underneath the auger flighting. It is good to see ears pushing ears in the trough. Kernel damage can occur if the flighting is peeling the top two or three rows of kernels in half as the ear is delivered to the feeder opening (this can occur in very dry corn or very wet corn).
- ❑ Make sure the auger is positioned as rearward as possible (near the stripper plate, raise the header and run it to ensure it is not rubbing on the stripper plate or feeder house stripper blocks).

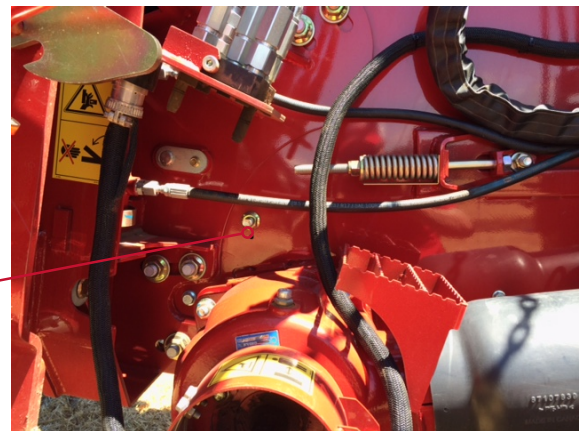
***NOTE:** Another good reason to raise the auger is to allow the fluff material to go underneath the auger rather than on top of the auger. If the leaf material begins to boil up in front of the feeder, it usually is because the leaf material is staying on top of the auger.*

STEP #7. FEEDER DRUM HEIGHT.

Check that the feeder drum height is set to the highest position.

- ❑ This allows room for ears to stay underneath the feeder chain.

Lower drum stop nut ■
should have torque of
147 – 162 lb. ft.



STEP #8. ADJUSTING THE HOOD SHIELD.

Lowering the center adjustable hood shield will deflect ears back into the auger. Be careful it does not contact the auger when lowering.

- ❑ **Down corn conditions:** Some folks have removed the hood shield in down corn to allow better feeding. On folding heads the center hood is not adjustable and it may be necessary to remove the rubber flap.

4400 SERIES CORN HEAD

RECOMMENDED SETTINGS GUIDE

CASE IH
AGRICULTURE
RETHINK PRODUCTIVITY

In addition to the general settings, here are
A FEW ITEMS TO CONSIDER FOR DOWN CORN CONDITIONS.

DOWN CORN CONDITIONS SETTINGS:

- Look at the header angle:** 19–20 degrees may be a good starting point.
- Adjust the snout** closer to the ground. As long as it is not contacting the ground, the front point is able to slide underneath the stalk to lift it up.
- Ear savers may have to be removed** to provide better crop flow.
- Hydraulic augers are recommended for use** at the end dividers. This prevents the stalk from bunching up and flipping over the sides.
- Center rubber flaps are recommended for use on the auger.** These mount to the center of the auger and help kick the fluff in as well as the ears. Start by adding these and keeping the center hood down to minimize loss. Raise the center hood if necessary.
- Use of a corn reel.** In some conditions, it may be necessary to add an aftermarket corn reel.
- Use of a row guidance system.** Leverage a row guide system, CNH Industrial Part # 51470357 (30" row), to more easily follow corn rows.
- If stalks are laying perpendicular to the row, **offsetting the swath in the opposite direction** may help lift the stalks up before it reaches the row unit.
- Dry brittle stalks may break when feeding over the snoots or stall on snoots. If this is an issue, **try harvesting in early morning or later in the day when crops tend to have more moisture.**

COMBINE SETTINGS:

- Be sure to **calibrate the AHHC.** You may have to set the headers lower set point further down to keep head flat and low to the ground.
- Recommend using the **Auto Feeder speed option** on the Axial-Flow 250 series combines.

4400 SERIES CORN HEAD

RECOMMENDED SETTINGS GUIDE

CASE IH
AGRICULTURE
RETHINK PRODUCTIVITY

DOWN CORN CONDITIONS – PARTS ACCESSORIES

PART NO.	DESCRIPTION
47376590 (30" row spacing)	Auger End Divider



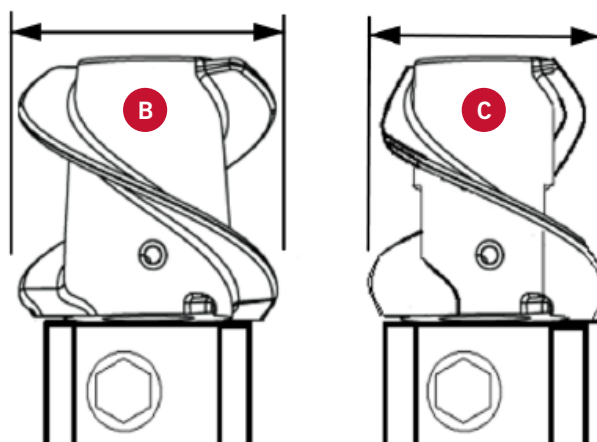
PART NO.	DESCRIPTION
87517559	Center Flaps



PART NO.	DESCRIPTION
51470357 (30" row spacing)	CNH Row Guidance Kit



PART NO.	DESCRIPTION
48020754	Deep Flight Front Stalk Roll Spirals



For the MY 18 corn heads updates were made to the spiral and the deck plates to improve feeding in dry/ adverse conditions. The spirals **B** were redesigned with a deeper more aggressive lug pattern vs. **C**. The deck plates were trimmed at the front (opening) to allow better flow of material into the opening of the row unit. Older headers can have the deck plates trimmed or replaced.



partstore.caseih.com

4400 SERIES CORN HEAD

RECOMMENDED SETTINGS GUIDE

CASE IH
AGRICULTURE

RETHINK PRODUCTIVITY



This document is a guide to assist in setting a Case IH 4400 series corn head. Please refer to operators manual for additional information and details.