

Farm King

OPERATOR AND PARTS MANUAL

Utility Auger

7" & 8" x 16' Model



Table of Contents

Introduction4

Safety.....5

- Safety5
- General Safety6
- Start-up Safety6
- Operation Safety6
- Transport Safety6
- Service and Maintenance Safety6
- Storage Safety6
- Safety Signs7
- Safety Sign Installation7

Assembly.....9

- Assembly Instructions9

Operation 10

- Theory of Operation 10

Bolt Torque 11

- Checking Bolt Torque 11

Parts Drawings..... 12

- Utility Auger Assembly Drawing 12
- Utility Auger Assembly Parts List 13

Shipping Kit and Bundle Numbers 15

Warranty 16

Manufacturer’s statement: for technical reasons Buhler Industries Inc. reserves the right to modify machinery design and specifications provided herein without any preliminary notice. Information provided herein is of descriptive nature. Performance quality may depend on soil fertility, applied agricultural techniques, weather conditions and other factors.

Introduction

The Farm King Utility Augers offer heavier gauge tubing to assure extra durability. The flow control gives you quick and easy regulation of grain flow, and allows the auger to be cleaned out prior to shut down. The intake flighting on all augers is protected by an intake guard to prevent injuries. Belt guards are standard on all units.

All Farm King Utility Augers feature adjustable motor mounts, so you can choose the size and brand of electrical motor to suit your needs. Auger pulleys are supplied on all sizes.

Keep this manual handy for frequent reference. All new operators or owners must review the manual before using the equipment and at least annually thereafter. Contact your Farm King Dealer if you need assistance, information, or additional copies of the manual. Visit our website at www.buhlerindustries.com for a complete list of dealers in your area.

The directions left, right, front and rear, as mentioned throughout this manual, are as seen facing in the direction of travel of the implement.

Safety

Safety Instructions

Remember, YOU are the key to safety. Good safety practices not only protect you, but also the people around you. Make these practices a working part of your safety program. Be certain that everyone operating this equipment is familiar with the recommended operating and maintenance procedures and follows all the safety precautions. Most accidents can be prevented. Do not risk injury or death by ignoring good safety practices.

The alert symbol is used throughout this manual. It indicates attention is required and identifies hazards. Follow the recommended precautions.



The safety alert symbol means...
ATTENTION! BECOME ALERT! YOUR SAFETY IS INVOLVED!



CAUTION

The caution symbol indicates a potentially hazardous situation that, if not avoided, may result in minor or moderate injury. It may also be used to alert against unsafe practices.



WARNING

The Warning Symbol indicates a potentially hazardous situation that, if not avoided, could result in death or serious injury, and includes hazards that are exposed when guards are removed. It may also be used to alert against unsafe practices.



DANGER

The Danger Symbol indicates an imminently hazardous situation that, if not avoided will result in death or serious injury. This signal word is to be limited to the most extreme situations, typically for machine components that, for functional purposes, cannot be guarded.

General Safety Instructions

- Have a first-aid kit available for use and know how to use it.
- Have a fire extinguisher available, stored in a highly visible location, and know how to use it.
- Wear appropriate protective gear. This list may include but is not limited to:
 - hard hat
 - protective shoes with slip resistant soles
 - protective glasses or goggles
 - heavy gloves
 - wet weather gear
 - hearing protection
 - respirator or filter mask
- Read and understand the Operator's Manual and all safety signs before operating, servicing, adjusting, repairing, or unplugging the equipment.
- Do not attempt any unauthorized modifications to your Farm King product as this could affect function or safety, and could affect the life of the equipment.
- Inspect and clean the working area before operating.
- Keep hands, feet, clothing, and hair away from moving parts.
- Ensure bystanders are clear of the area before operating.

Start-Up Safety

- Do not let inexperienced operators or children run this equipment.
- Ensure all shields are in place and in good condition before operating.
- Make certain electric motors are grounded.

Operation Safety

- Do not wear loose fitting clothing during operation.
- Do not allow anyone other than the operator close to the Auger when in operation.

Service and Maintenance

- Stop engine, set brake, remove ignition key, and wait for all moving parts to stop before servicing, adjusting, repairing, or unplugging.
- Support the equipment with blocks or safety stands before working beneath it.
- Follow good shop practices including:
 - keep service area clean and dry
 - be sure electrical outlets and tools are properly grounded
 - use adequate light for the job.
- Use only tools, jacks, and hoists of sufficient capacity for the job.
- Replace and secure all shields removed during servicing before operating.
- Use heavy leather gloves to handle sharp objects.

Storage Safety

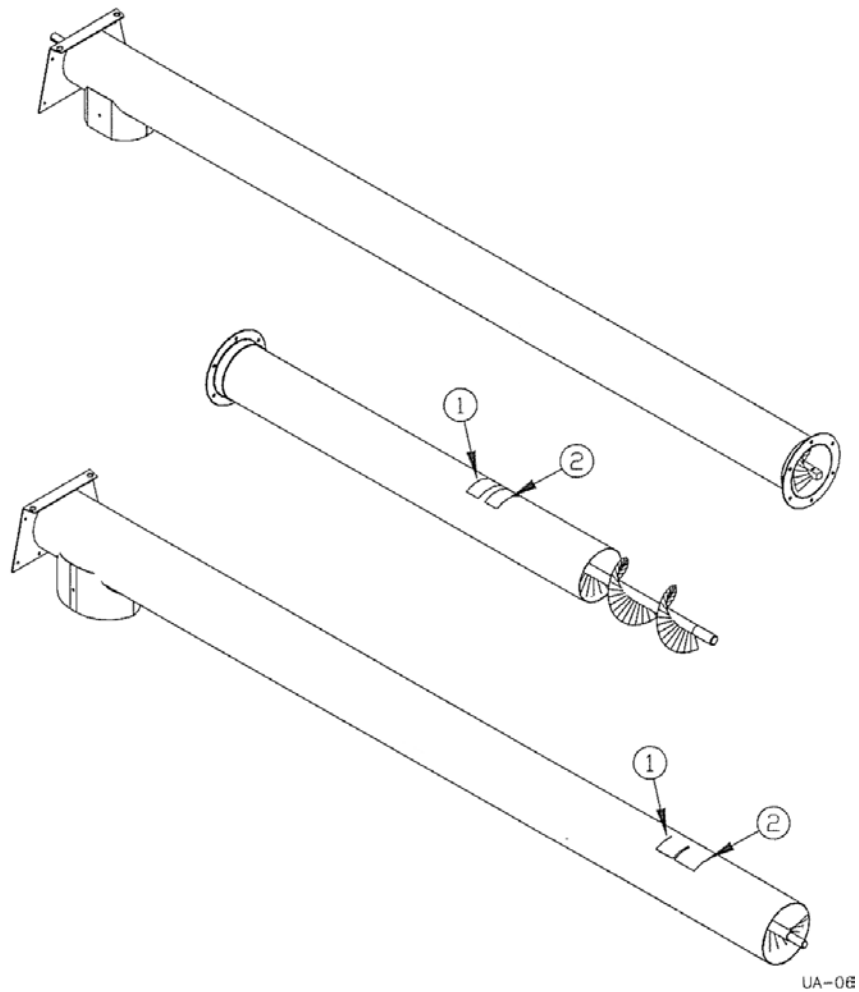
- Store the unit in an area away from human activity.
- Do not permit children to play on or around the stored machine.
- Support the frame on stands and blocks to provide a secure base.

Safety Signs

- The following illustration shows the approximate location and detail of safety signs.
- Keep all safety signs clean and legible and replace any that are damaged or missing.
- When original parts are replaced, any safety signs affixed to those parts should be replaced as well. Replacement safety signs are available from your local dealer.

Installation

- To install safety signs, ensure the installation area is clean and dry. Decide on the exact position before you remove the backing paper. Remove the smallest portion of the split backing paper and align over the specified area. Carefully press in place.
- Slowly peel back the remaining paper and smooth the remaining portion in place. Small air pockets can be pierced with a pin and smoothed out.



- Replace safety signs immediately should they become damaged, torn or illegible. Obtain replacements from your authorized dealer using the part numbers shown.

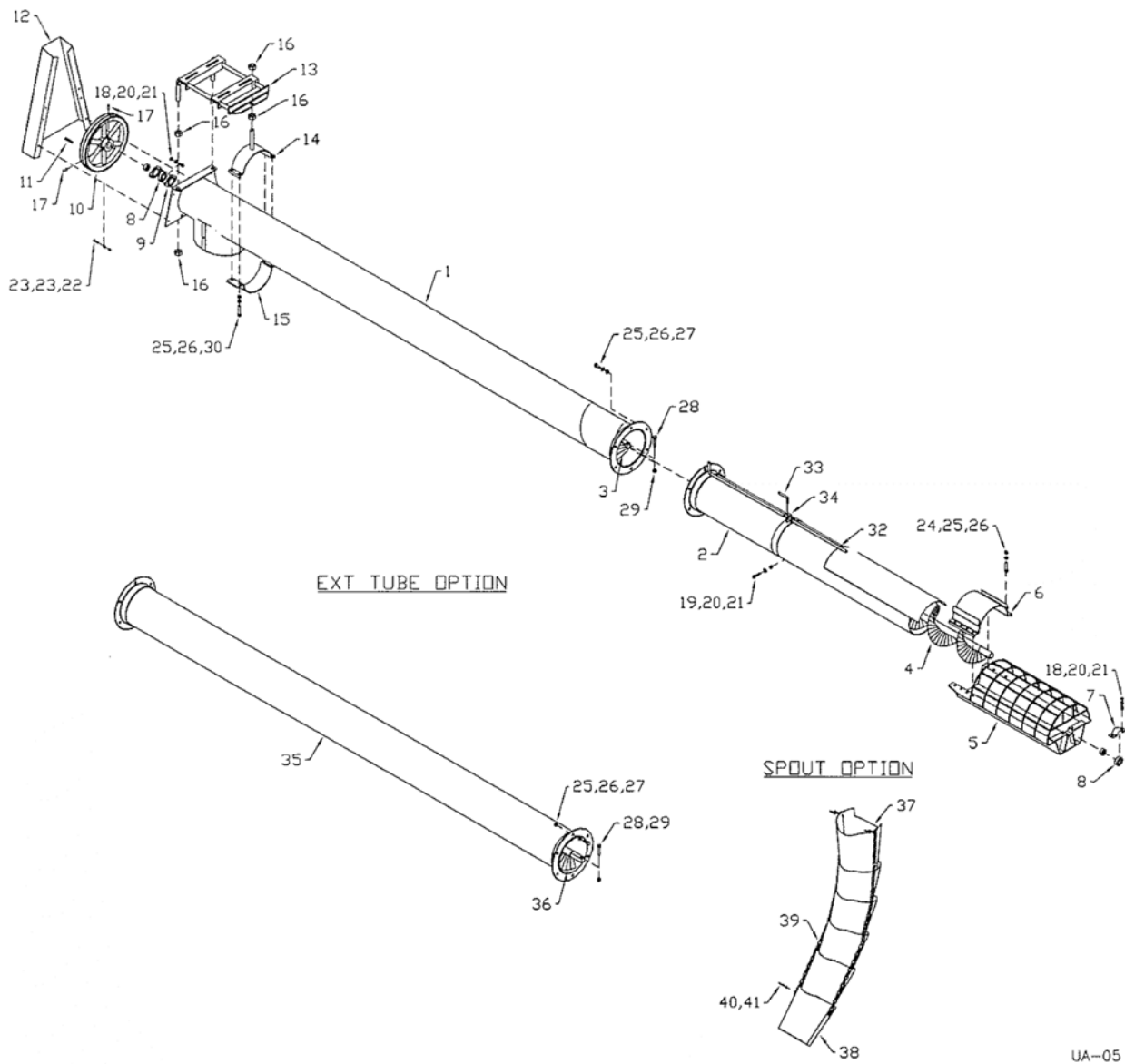


Assembly Instructions

1. Assemble the basic tube (#1) to the extension tube (#2) making sure the flighting is aligned and coupled with a 3/8" x 2" grade 8 hex bolt (#28) and lock nut (#29). Line up both sections and bolt the pipe rings together using 3/8" x 1" hex bolts (#27), lock washers (#25) and hex nuts (#26).
2. Bolt the intake guard (#5) to the bottom using intake guard clamp (#6) with 3/8" x 1-3/4" hex bolts (#24), lock washers (#25) and hex nuts (#26). Assemble bottom bearing (#8) using bearing cap (#7) with 5/16" x 3/4" hex bolts (#18), lock washers (#20) and hex nuts (#21).
3. The threaded rods on the motor mount assembly (#13) are inserted through the two holes in the end plate at the top of the auger as shown in drawing. A 3/4" hex nut (#16) on each side locks the motor mount in place. The threaded rod welded to the top motor mount clamp (#14) is fitted through the hole in the back of the motor mount. This is also held in place with a 3/4" hex nut (#16) on each side. Bolt the bottom motor mount clamp (#15) to the top half using 3/8" x 2" hex bolts (#30), lock washers (#25) and hex nuts (#26).
4. Mount the 12" double sheave (#10) on the end of the flighting shaft using key (#11). When the motor with sheave and belt are assembled, tighten belt and lock in place by adjusting all three sets of 3/4" hex nuts (#16).
5. Mount the belt guard (#12) onto the top end plate using 1/4" x 1" hex bolts (#22) and hex nuts (#23). Before mounting guard to auger, put the 1/4" hex bolts through the holes in the guard with the heads to the inside of the guard. Tighten hex bolts with one 1/4" hex nut. The remaining 1/4" hex nuts are used to mount the guard to the end plate.

If an optional center extension is added, it is placed between the basic auger and bottom extension auger. The flightings are coupled and the pipe rings bolted together as described in step #1.

Utility Auger Assembly Drawing



UA-05

When Ordering Parts

Always give your dealer the Model, Color and Serial Number of your machine to assist him in ordering and obtaining the correct parts. Use the exploded view and tabular listing of the area of interest to exactly identify the required part.

Item	Part Number	Description
1	963701	Basic Tube, 7" x 10'
	963801	Basic Tube, 8" x 10'
2	963702	Extension Tube, 7" x 5'
	963802	Extension Tube, 8" x 5'
3	963703	Basic Flighting, 7" x 10'
	963803	Basic Flighting, 8" x 10'
4	963704	Extension Flighting, 7" x 6'
	963804	Extension Flighting, 8" x 6'
5	963705	Intake Guard - 7"
	963805	Intake Guard - 8"
6	961454	Intake Guard Clamp - 7"
	961455	Intake Guard Clamp - 8"
7	961913	Bearing Holder Cap
8	961627	1" Bearing C/W Collar
9	963009	1" Bearing Flange
10	961567	12" Double Sheave, 1" Bore
11	968811	1/4" x 2" Key
12	F1307	Belt Guard - 7" & 8"
13	963707	Motor Mount - 7" & 8"
14	963708	Top Motor Mount Clamp - 7"
	963808	Top Motor Mount Clamp - 8"
15	963709	Bottom Motor Mount Clamp - 7"
	963809	Bottom Motor Mount Clamp - 8"
16	81700	3/4" Hex Nut (pl)
17	81213	3/8" x 1" Sq. Hd. Set Screw (pl)
18	81549	5/16" x 3/4" Hex Bolt (pl)
19	81553	5/16" x 1-1/2" Hex Bolt (pl)
20	81569	5/16" Lock Washer (pl)
21	81568	5/16" Hex Nut (pl)
22	81527	1/4" x 1" Hex Bolt (pl)
23	81544	1/4" Hex Nut (pl)
24	81578	3/8" x 1-3/4" Hex Bolt (pl)
25	81593	3/8" Lock Washer (pl)
26	81592	3/8" Hex Nut (pl)
27	86170	3/8" x 1" Hex Bolt (pl)
28	9812483	3/8" x 2" Grade 8 Hex Bolt (pl)

Item	Part Number	Description
29	812363	3/8" Lock Nut (pl)
30	811795	3/8" x 2" Hex Bolt (pl)
32	903062	Feed Control Weld't - 7"
	903066	Feed Control Weld't - 8"
33	963145	Locking Screw
34	903064	7" I.D. Clamp w/ Lock
	903065	8" I.D. Clamp w/ Lock
35	963710	7" x 5' Extension Tube
	963810	8" x 5' Extension Tube
	963711	7" x 10' Extension Tube
	963811	8" x 10' Extension Tube
36	963712	7" x 5' Extension Flighting
	963812	8" x 5' Extension Flighting
	963713	7" x 10' Extension Flighting
	963813	8" x 10' Extension Flighting
37	903058	Top Section - 7"
	903111	Top Section - 8"
38	903057	Bottom Section - 7"
	903112	Bottom Section - 8"
39	952050-000	42" Chain - 7"
	952050-000	55" Chain - 8"
40	967168	Pop Rivets AD56BS
41	981358	1/8" Flat Washers (pl)

Shipping Kit and Bundle Numbers

The following is a list of Kit Numbers for this product and the Bundle Numbers, Descriptions, and Quantities for each Kit.

Quantity	Bundle Number	Description
Y716 - 7" x 16' Utility Auger		
1	F1301	7" x 10' Basic Utility Auger
1	F1302	7" x 6' Extension
1	F1305	Intake Guard
1	F1306	Carton of Parts
1	F1307	Belt Guard

Y816 - 8" x 16' Utility Auger		
1	F1401	8" x 10' Basic Utility Auger
1	F1402	8" x 6' Extension
1	F1405	Intake Guard
1	F1406	Carton of Parts
1	F1307	Belt Guard

Optional Bundle Numbers

The following is a list of options available for the Kits listed above.

1	F1303	7" x 5' Extension
1	F1304	7" x 10' Extension
1	F1412	7" Flow Control
1	F3002	Flex Spout (galvanized)
1	F1403	8" x 5' Extension
1	F1404	8" x 10' Extension
1	F1413	8" Flow Control
1	F3003	Flex Spout (galvanized)

Farm King Limited Warranty

This document limits your warranty rights.

Base Limited Warranty

Buhler Industries Inc. provides this warranty only to original retail purchasers of its product. Buhler Industries Inc. warrants to such purchasers that all Buhler Industries Inc. manufactured parts and components used and serviced as provided for in the Operator's Manual shall be free from defects in materials and workmanship for a period following delivery to the original retail purchaser of 12 months (80 days for commercial applications). This limited warranty applies only to those parts and components manufactured by Buhler Industries Inc. Parts and components manufactured by others are subject to their manufacturer's warranties, if any.

Buhler Industries Inc. will fulfill this limited warranty by, at its option, repairing or replacing any covered part that is defective or is the result of improper workmanship, provided that the part is returned to Buhler Industries Inc. within thirty (30) days of the date that such defect or improper workmanship is, or should have been, discovered. Buhler Industries Inc. reserves the right to either inspect the product at the buyer's location or have it returned to the factory for inspection. Parts must be returned through the selling representative and the buyer must prepay transportation charges.

Buhler Industries Inc. will not be responsible for repairs or replacements that are necessitated, in whole or part, by the use of parts not manufactured by or obtained from Buhler Industries Inc. Under no circumstances are component parts warranted against normal wear and tear. There is no warranty on product pump seals, product pump bearings, rubber product hoses, pressure gauges, or other components that require replacement as part of normal maintenance. Also: Buckets and Bucket Tines carry no warranty, Bent Spears carry no warranty, Snowblower Fan Shafts carry no warranty, Mower Blades carry no warranty, Portable Auger Parts Have Two (2) Year Warranty, Loader Parts Have Two (2) Year Warranty. The purchaser is solely responsible for determining suitability of goods sold. This warranty is expressly in lieu of all other warranties expressed or implied. Buhler Industries Inc. will in no event be liable for any incidental or consequential damages whatsoever. Nor for any sum in excess of the price received for the goods for which liability is claimed.

Repair Parts Limited Warranty

Buhler Industries Inc. warrants Farm King replacement parts purchased after the expiration of the Buhler Industries Inc. Limited Warranty, and used and serviced as provided for in the Operator's Manual, to be free from defects in materials or workmanship for a period of thirty (30) days from the invoice date for the parts. Buhler Industries Inc. will fulfill this limited warranty by, at its option, repairing or replacing any covered part that is defective or is the result of improper workmanship, provided that the part is returned to Buhler Industries Inc. within thirty (30) days of the date that such defect or improper workmanship is, or should have been, discovered. Such parts must be shipped to Buhler Industries Inc. at the purchaser's expense.

What is Not Covered

Under no circumstances does this limited warranty cover any components or parts that have been subject to the following: negligence; alteration or modification not approved by Buhler Industries Inc.; misuse; improper storage; lack of reasonable and proper maintenance, service, or repair; normal wear; damage from failure to follow operating instructions; accident; and/or repairs that have been made with parts other than those manufactured, supplied, and or authorized by Buhler Industries Inc.

Authorized Dealer and Labor Costs

Repairs eligible for labor under this limited warranty must be made by Buhler Industries Inc. or an authorized Farm King dealer. Buhler Industries Inc. retains the exclusive discretion to determine whether it will pay labor costs for warranty repairs or replacements, and the amount of such costs that it will pay and the time in which the repairs will be made. If Buhler Industries Inc. determines that it will pay labor costs for warranty work, it will do so by issuing a credit to the dealer's or distributor's account. Buhler Industries Inc. will not approve or pay invoices sent for repairs that Buhler Industries Inc. has not previously approved. Warranty service does not extend the original term of this limited warranty.

Warranty Requirements

To be covered by warranty, each Farm King new product must be registered with Buhler Industries Inc. within thirty (30) days of delivery to original retail purchaser. If the customer decides to purchase replacement components before the warranty disposition of such components is determined, Buhler Industries Inc. will bill the customer for such components and then credit the replacement invoice for those components later determined to be covered by this limited warranty. Any such replacement components that are determined not be covered by this limited warranty will be subject to the terms of the invoice and shall be paid for by the purchaser.

Warranty Claims:

Warranty requests must be prepared on Buhler Industries Inc. Warranty Claim Forms with all requested information properly completed. Warranty Claims must be submitted within a thirty (30) day period from date of failure repair.

Warranty Labor:

Any labor subject to warranty must be authorized by Buhler Industries Inc. The labor rate for replacing defective parts, where applicable, will be credited at 100% of the dealer's posted shop rate. Defective parts will receive an extra 10% discount to assist with freight or other incidental costs.

Exclusive Effect of Warranty and Limitation of Liability

TO THE EXTENT PERMITTED BY LAW, BUHLER INDUSTRIES INC. DISCLAIMS ANY WARRANTIES, REPRESENTATIONS, OR PROMISES, EXPRESS OR IMPLIED, AS TO THE QUALITY, PERFORMANCE, OR FREEDOM FROM DEFECT OF THE COMPONENTS AND PARTS COVERED BY THIS WARRANTY AND NOT SPECIFICALLY PROVIDED FOR HEREIN.

TO THE EXTENT PERMITTED BY LAW, BUHLER INDUSTRIES INC. DISCLAIMS ANY IMPLIED WARRANTIES OF MERCHANTABILITY AND FITNESS FOR A PARTICULAR PURPOSE ON ITS PRODUCTS COVERED HEREIN, AND DISCLAIMS ANY RELIANCE BY THE PURCHASER ON BUHLER INDUSTRIES INC.'S SKILL OR JUDGMENT TO SELECT OR FURNISH GOODS FOR ANY PARTICULAR PURPOSE. THE PURCHASER'S ONLY AND EXCLUSIVE REMEDIES IN CONNECTION WITH THE BREACH OR PERFORMANCE OF ANY WARRANTY ON PRODUCTS MANUFACTURED BY BUHLER INDUSTRIES INC. ARE THOSE SET FORTH HEREIN. IN NO EVENT SHALL BUHLER INDUSTRIES INC. BE LIABLE FOR INCIDENTAL OR CONSEQUENTIAL DAMAGES (INCLUDING, BY WAY OF EXAMPLE ONLY AND NOT LIMITATION, LOSS OF CROPS, LOSS OF PROFITS OR REVENUE, OTHER COMMERCIAL LOSSES, INCONVENIENCE, OR COST OF REPLACEMENT OF RENTAL EQUIPMENT). IN NO EVENT SHALL FARM KING'S CONTRACT OR WARRANTY LIABILITY EXCEED THE PURCHASE PRICE OF THE PRODUCT.

(Note that some provinces or states do not allow limitations on how long an implied warranty lasts or the exclusion or limitation of incidental or consequential damages, so the above limitations and exclusion may not apply to you.) This warranty gives you specific legal rights and you may also have other rights, which vary from province to province or state to state.

Buhler Industries Inc. neither assumes nor authorizes any person or entity, including its selling representatives, to assume any other obligations or liability in connections with the sale of covered equipment, or to make any other warranties, representations, or promises, express or implied, as to the quality, performance, or freedom from defect of the components and parts covered herein. No one is authorized to alter, modify, or enlarge this limited warranty, or its exclusions, limitations and reservations.

Corrections of defects and improper workmanship in the manner, and for the applicable time periods, provided for herein shall constitute fulfillment of all responsibilities of Buhler Industries Inc. to the purchaser, and Buhler Industries Inc. shall not be liable in negligence, contract, or on any other basis with respect to the subject equipment.

This limited warranty is subject to any existing conditions of supply which may directly affect Buhler Industries Inc.'s ability to obtain materials or manufacture replacement parts.

Buhler Industries Inc. reserves the right to make improvements in design or changes in specifications to its products at anytime, without incurring any obligation to owners of units previously sold.

Government Legislation:

Warranty terms and conditions are subject to provincial or state legislation.

Important Note: This warranty does not apply to rentals.

www.farm-king.com

Farm King

1330 43rd Street NW
Fargo, ND USA 58102
Ph.: 701.282.7014 | Fax: 701.282.5865
Toll Free: 888.524.1004
E-mail: info@buhler.com
www.farm-king.com

Equipment shown is subject to change without notice.
©2010 Buhler Trading Inc. Printed in USA. TSX:BUI

bühler | a division of Buhler Industries Inc.