

Farm King

OPERATOR AND PARTS MANUAL

Unloading Auger

8" & 10" Model

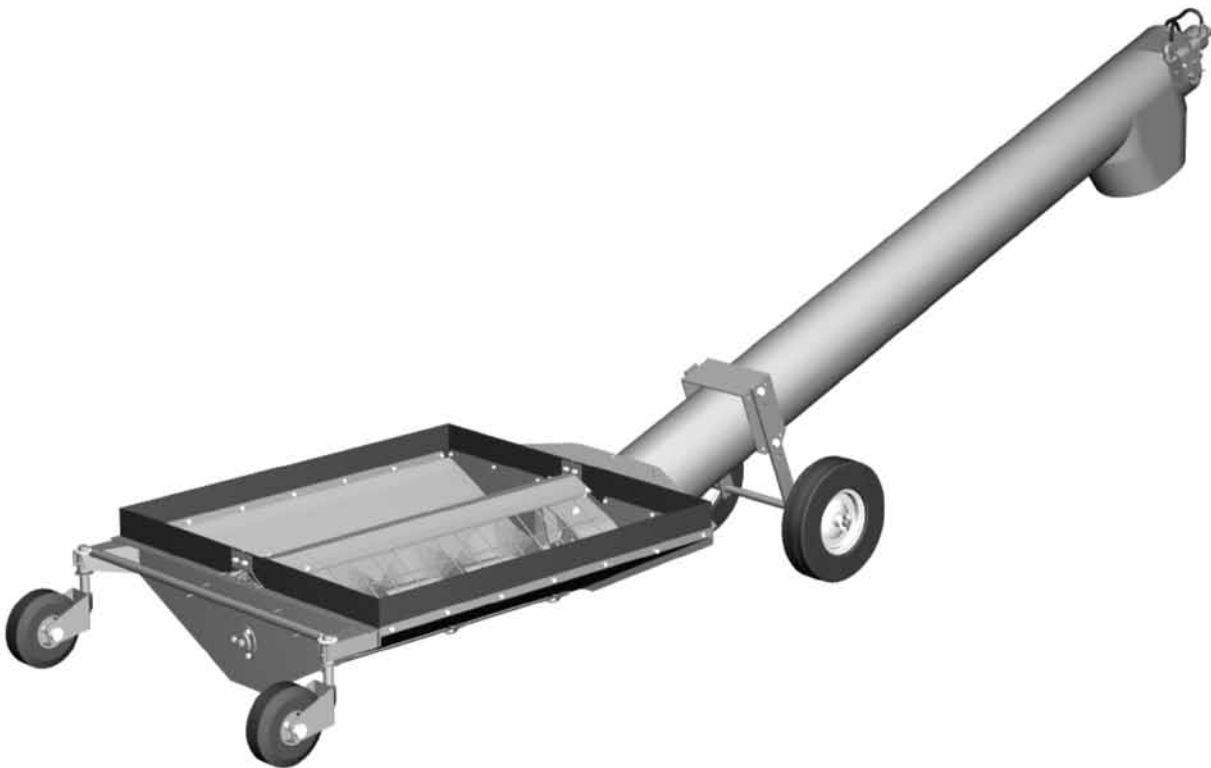


Table of Contents

Introduction	4
Safety.....	5
• Safety	5
• General Safety.....	6
• Start-up Safety	6
• Operation Safety	6
• Transport Safety	6
• Service and Maintenance Safety	7
• Storage Safety.....	7
• Safety Signs	7
• Safety Sign Installation	8
Assembly.....	9
• Assembly Instructions	9
Operation	10
• Theory of Operation	11
Maintenance	12
• Maintenance and Storage	12
Bolt Torque	13
• Checking Bolt Torque	13
Parts Drawings.....	14
• Hydraulic Unloading Auger Drawing	14
• Hydraulic Unloading Auger Parts List	15
• Electric Motor Drive Unloading Auger Drawing.....	18
• Electric Motor Drive Unloading Auger Parts List.....	19
Shipping Kit and Bundle Numbers	21
Warranty.....	22

Manufacturer's statement: for technical reasons Buhler Industries Inc. reserves the right to modify machinery design and specifications provided herein without any preliminary notice. Information provided herein is of descriptive nature. Performance quality may depend on soil fertility, applied agricultural techniques, weather conditions and other factors.

Introduction

The Farm King 8" and 10" unloading augers reach where normal portable augers can't. They feature a loading hopper that fits right under hopper bottom bins and hopper trailers for fast and easy access. With a hopper that is almost four feet square and your choice of 8" or 10" diameter tubing, the Farm King unloading augers transfer your grains and oilseeds much faster than conventional utility augers. The weight is evenly distributed on either side of the pivot wheels. Because the unit is well balanced, one person with minimal effort can easily position it.

A hinged cleanout gate in the bottom of the hopper makes thorough cleaning simple. You do not need to worry about spoiled grain or rusting that can occur when grain is left sitting.

Farm King gives you a choice between hydraulic or electric motor. Adjustable discharge height lets you position the auger to fit the job. Now, you can unload hopper bins and trailers more quickly and easily than ever before.

Keep this manual handy for frequent reference. All new operators or owners must review the manual before using the equipment and at least annually thereafter. Contact your Farm King Dealer if you need assistance, information, or additional copies of the manual. Visit our website at www.buhlerindustries.com for a complete list of dealers in your area.

The directions left, right, front and rear, as mentioned throughout this manual, are as seen facing in the direction of travel of the implement.

Safety

Safety Instructions

Remember, YOU are the key to safety. Good safety practices not only protect you, but also the people around you. Make these practices a working part of your safety program. Be certain that everyone operating this equipment is familiar with the recommended operating and maintenance procedures and follows all the safety precautions. Most accidents can be prevented. Do not risk injury or death by ignoring good safety practices.

The alert symbol is used throughout this manual. It indicates attention is required and identifies hazards. Follow the recommended precautions.



The safety alert symbol means...
ATTENTION! BECOME ALERT! YOUR SAFETY IS INVOLVED!



CAUTION

The caution symbol indicates a potentially hazardous situation that, if not avoided, may result in minor or moderate injury. It may also be used to alert against unsafe practices.



WARNING

The Warning Symbol indicates a potentially hazardous situation that, if not avoided, could result in death or serious injury, and includes hazards that are exposed when guards are removed. It may also be used to alert against unsafe practices.



DANGER

The Danger Symbol indicates an imminently hazardous situation that, if not avoided will result in death or serious injury. This signal word is to be limited to the most extreme situations, typically for machine components that, for functional purposes, cannot be guarded.

General Safety Instructions

- Have a first-aid kit available for use and know how to use it. Have a fire extinguisher available, stored in a highly visible location, and know how to use it.
- Wear appropriate protective gear. This list may include but is not limited to:
 - hard hat
 - protective shoes with slip resistant soles
 - protective glasses or goggles
 - heavy gloves
 - wet weather gear
 - hearing protection
 - respirator or filter mask
- Read and understand the Operator's Manual and all safety signs before operating, servicing, adjusting, repairing, or unplugging the equipment.
- Do not attempt any unauthorized modifications to your Farm King product as this could affect function or safety, and could affect the life of the equipment.
- Inspect and clean the working area before operating.
- Keep hands, feet, clothing, and hair away from moving parts.
- Ensure bystanders are clear of the area before operating.

Start-Up Safety

- Do not let inexperienced operators or children run this equipment.
- Place all tractor and machine controls in neutral before starting.
- Operate only with ROPS and seatbelt equipped tractors.
- Do not operate inside a building unless there is adequate ventilation.
- Ensure all shields are in place and in good condition before operating.
- Make certain electric motors are grounded.

Operation Safety

- Do not permit riders.
- Do not wear loose fitting clothing during operation.
- Do not allow anyone other than the operator close to the Auger when in operation.

Transport Safety

- Review Transport Safety instructions in tractor manual before moving.
- Check with local authorities regarding transport on public roads. Obey all applicable laws and regulations.
- Make sure the SMV (Slow Moving Vehicle) emblem and all the lights and reflectors that are required by the local highway and transport authorities are in place, are clean, and can be seen clearly by all overtaking and oncoming traffic.
- Take extreme caution in maneuvering on or around tight corners so as not to catch the end of the auger on trees, buildings, power lines, etc.
- When moving the auger on the road, always use a red flag, or if absolutely necessary to move at night, accessory lights for adequate warning to operators of other vehicles.
- Always travel at a safe speed.
- Inflate transport tires to recommended pressure.

Service and Maintenance Safety

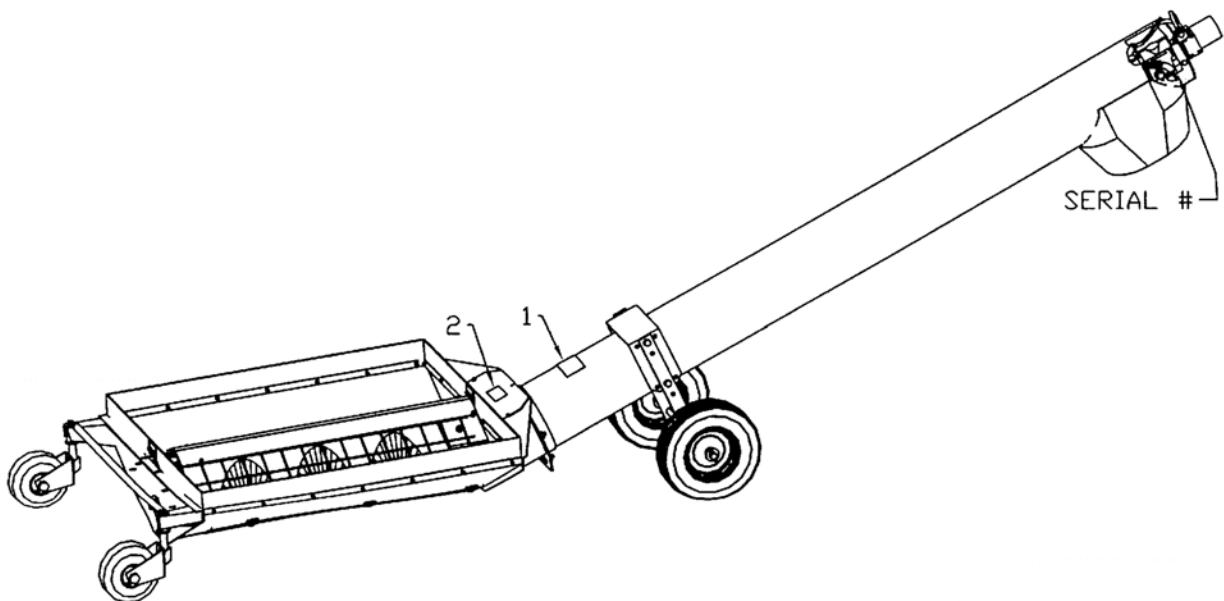
- Stop engine, set brake, remove ignition key, and wait for all moving parts to stop before servicing, adjusting, repairing, or unplugging.
- Support the equipment with blocks or safety stands before working beneath it.
- Follow good shop practices including:
 - keep service area clean and dry
 - be sure electrical outlets and tools are properly grounded
 - use adequate light for the job.
- Use only tools, jacks, and hoists of sufficient capacity for the job.
- Replace and secure all shields removed during servicing before operating.
- Use heavy leather gloves to handle sharp objects.
- Check hydraulics regularly for leaks. Use cardboard to look for leaks, and use hand and eye protection.
- Relieve pressure on hydraulic system before repairing or adjusting.
- Failure to follow proper procedures when mounting a tire on a wheel or rim can produce an explosion, which may result in serious injury or death.

Storage Safety

- Store the unit in an area away from human activity.
- Do not permit children to play on or around the stored machine.
- Support the frame on stands and blocks to provide a secure base.

Safety Signs

- The following illustration shows the approximate location and detail of safety signs.
- Keep all safety signs clean and legible and replace any that are damaged or missing.
- When original parts are replaced, any safety signs affixed to those parts should be replaced as well. Replacement safety signs are available from your local dealer.



UNA-03

Installation

- To install safety signs, ensure the installation area is clean and dry. Decide on the exact position before you remove the backing paper. Remove the smallest portion of the split backing paper and align over the specified area. Carefully press in place.
- Slowly peel back the remaining paper and smooth the remaining portion in place. Small air pockets can be pierced with a pin and smoothed out.
- Replace safety signs immediately should they become damaged, torn or illegible. Obtain replacements from your authorized dealer using the part numbers shown.



Assembly Instructions

1. Bolt the hopper and tube together using six 1/2" x 1-1/4" hex bolts, lock washers, and hex nuts on the 10". Use 3/8" x 1" hex bolts on the 8".
2. Bolt the stand to the tube using four 1/2" x 1-1/4" hex bolts, lockwashers, and hex nuts. The stands have a high and low position (see chart).
3. Bolt the rubber strips around the hopper using the metal strips and plates supplied. Use 1/4" x 3/4" hex bolts, lockwashers, and hex nuts.
4. Hydraulic only:
 - Attach the two 1/2" x 18" hydraulic hoses from the valve to the hydraulic motor.
5. Motor Drive only:
 - Assemble motor mount using 3/4" nuts.
 - Mount 12" pulley on flighting and 3-1/2" pulley on motor. Use a 1725 rpm motor with 3 to 5hp and a B 54 V-belt.
 - Mount belt guard using 1/4" x 1" hex bolts and 1/4" hex nuts.

Operation Instructions

When operating an auger for the first time when new, or at the beginning of a season, run only partially full until flighting becomes polished. Also check the spout and hopper for bird nests or other obstructions before starting the auger.

The set screws in the universal joint joining the hopper and tube flighting must be checked regularly and tightened if necessary. The brass bushing in the bushing holder inside the hopper is another part that should be checked regularly and replaced if necessary.

To check or service the universal joint or the brass bushing holder, remove the cover at the front of the hopper.

Hydraulic Unloading Auger

Approximate hydraulic requirements are:

- 12 US gallons per minute (45 l/min) pump capacity.
- 1200-1400 psi (8270-9650 kPa) hydraulic pressure.

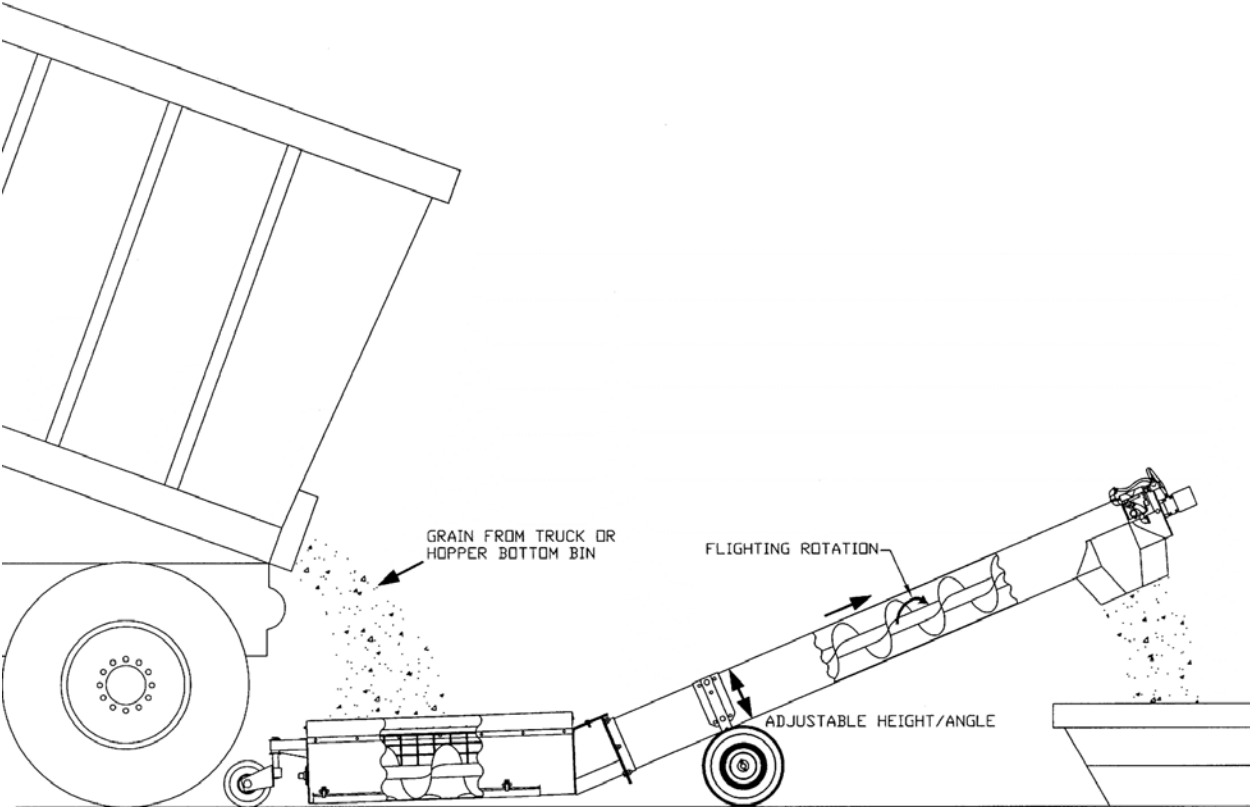
Motor Drive Unloading Auger

Power requirement is from 3 to 5 horsepower electric motor 1725 rpm. Use the 12 inch double pulley supplied on the auger. The 3-1/2" double pulley with B-grooves and two B-54 V-belts must be supplied by the customer. A 3 horsepower should be sufficient for the 8".

Both kinds of unloading auger have wheel stands with adjustable height. Specifications are given on a chart included in the manual.

Both kinds of unloading auger have wheel stands with adjustable height. Specifications are given on a chart included in the manual.

Theory of Operation



Maintenance

Maintenance and Storage

- Lubricate the universal joint about every five hours and check to see that the set screws in the universal joint are tight.
- Clean the auger thoroughly after using as dirt draws moisture and causes metal to rust. Store in a dry place if possible.
- Remove belts and store in a cool dry place if auger is to be left outdoors.
- At this time check all parts for wear and order replacement parts from your nearest dealer.
- When taking the auger out of storage, check inlet and outlet ends for obstructions and check all bolts and set screws before using the auger.



ALERT

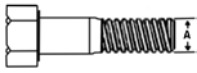



When replacing bearings or tightening a loose bearing collar, always tighten collar, always tighten collar in the direction of shaft rotation using a center punch or a similar tool.

- Recommended tire pressure is 32 psi (220 kPa)

Bolt Torque

Checking Bolt Torque

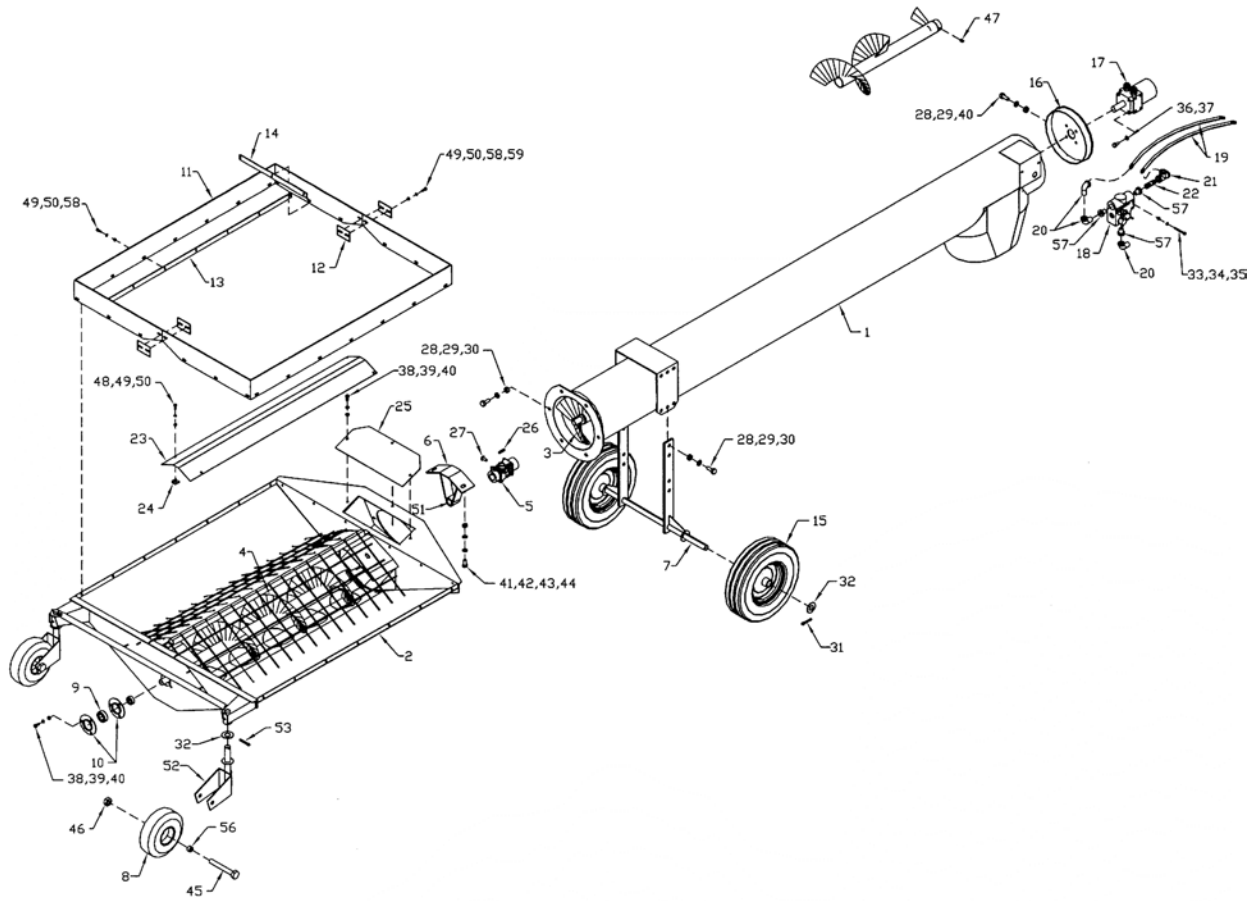
The tables shown below give correct torque values for various bolts and hex bolts. Tighten all bolts to the torques specified in chart unless otherwise noted. Check tightness of bolts periodically, using bolt torque chart as a guide. Replace hardware with the same strength bolt.

Bolt Torque*						
						
Bolt Diameter	Grade 2 Bolts		Grade 5 Bolts		Grade 8 Bolts	
(inches)	SAE 2		SAE 5		SAE 8	
"A"	(lb-ft)	(N.m)	(lb-ft)	(N.m)	(lb-ft)	(N.m)
0.25 (1/4)	6	8	9	12	12	17
0.313 (5/16)	10	13	19	25	27	36
0.375 (3/8)	20	27	33	45	45	63
0.438 (7/16)	30	42	53	72	75	100
0.5 (1/2)	45	61	80	110	115	155
0.563 (9/16)	70	95	115	155	165	220
0.625 (5/8)	95	128	160	215	220	305
.75 (3/4)	165	225	290	390	400	540
0.875 (7/8)	170	230	420	570	650	880
1	225	345	630	850	970	1320

Torque figures indicated above are valid for non-greased or non-oiled threads and heads unless otherwise specified. Therefore, do not grease or oil bolts or hex bolts unless otherwise specified in this manual. When using locking elements, increase torque values by 5%.

*Torque value for bolts and hex bolts are identified by their head markings.

8" & 10" Hydraulic Unloading Auger



UNA-01

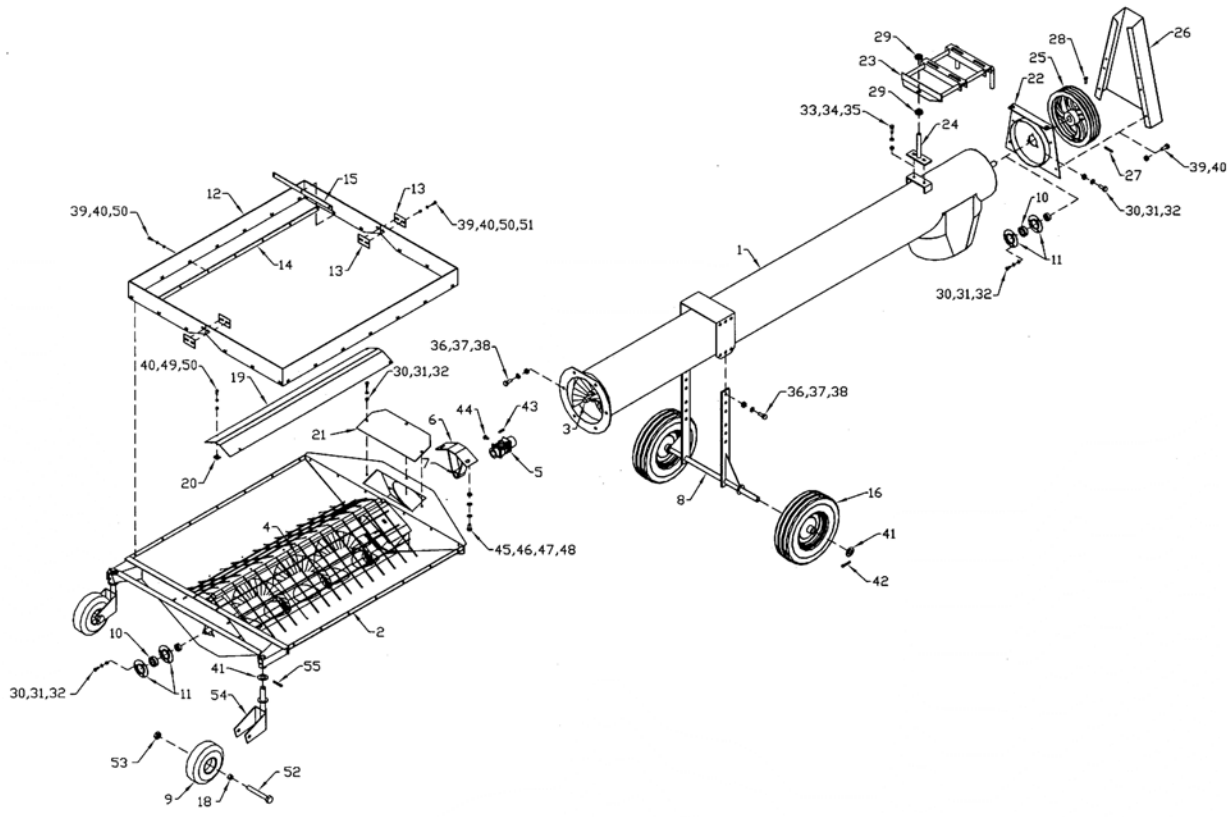
When Ordering Parts

Always give your dealer the Model, Color and Serial Number of your machine to assist him in ordering and obtaining the correct parts. Use the exploded view and tabular listing of the area of interest to exactly identify the required part.

Item	Part Number	Description
1	960184	Tube Weldment (8")
	960448	Tube Weldment (10")
2	960325	Hopper Weldment (8")
	960440	Hopper Weldment (10")
3	960270	Tube Flighting (8")
	960442	Tube Flighting (10")
4	960268	Hopper Flighting (8")
	960233	Hopper Flighting (10")
5	960241	Universal Joint (1140)
6	960326	Bushing Holder w/ Bushing
7	960185	Axle Assembly (8")
	960450	Axle Assembly (10")
8	960048	2 1/2" x 8" Wheel
9	961627	1" Bearing
10	973511	1" Bearing Flange Set
11	960153	Hopper Rubber Edging (4" x 90")
12	960154	Rubber Connector Plate (2" x 3")
13	960155	Side Rubber Reinforcement (1" x 45 1/2")
14	960156	End Rubber Reinforcement (1" x 16")
15	973613	16" x 4.8" Wheel w/ Tire
	973655	Wheel Only (8" x 2.5")
	973656	Tire w/ Tube (4.80/4.00-8)
16	960186	Hydraulic End Plate (8")
	960320	Hydraulic End Plate (10")
17	908432	Hydraulic Motor (103-1614) (3/8" Geroler) - 8"
	907344	Hydraulic Motor (103-1003) (1/2" Geroler) - 10"
18	960050	Flow Control Valve W/ Bushing
19	964645	1/2" x 18" Hyd. Hose (One Swivel End)
		(Bolt Ends 1/2" NPT)
20	964738	1/2" x 90° Street Elbow
21	964740	1/2" x 1/2" x 1/2" Tee
22	960051	1/2" Close Nipple
23	960238	Splash Guard
24	960239	Splash Guard Clips
25	960237	Box Cover 6-3/4" x 14-1/4" - 8" Una
	908344	Box Cover 6-1/2" x 16" - 10" Una

Item	Part Number	Description
26	963026	1/4" Sq. x 1-1/2" Key (8")
	960177	1/4" x 1-1/4" Key (10")
27	967460	3/8" x 3/4" Sq. Hd. Set Screw (SER)
28	86170	3/8" x 1" Hex Bolt (8")
	81620	1/2" x 1-1/4" Hex Bolt (10")
29	81593	3/8" Lock Washer (8")
	81637	1/2" Lock Washer (10")
30	81592	3/8" Hex Nut (8")
	81636	1/2" Hex Nut (10")
31	9812433	3/16" x 1-1/2" Cotter Pin
32	84522	1" I.D. Flat Washer (S.A.E.)
33	967193	1/4" x 2-1/2" Hex Bolt
34	81545	1/4" Lock Washer
35	81544	1/4" Hex Nut
36	84072	3/8" x 3/4" Hex Bolt
37	81593	3/8" Lock Washer
38	81549	5/16" x 3/4" Hex Bolt
39	81569	5/16" Lock Washer
40	81568	5/16" Hex Nut
41	81597	7/16" x 1" Hex Bolt
42	84041	7/16" S.A.E. Flat Washer
43	81615	7/16" Lock Washer
44	81614	7/16" Hex Nut
45	81671	5/8" x 4" Hex Bolt
46	812482	5/8" Lock Nut
47	985639	3/8" X 1/2" Socket Set Screw
48	81525	1/4" x 3/4" Hex Bolt
49	81545	1/4" Lock Washer
50	81544	1/4" Hex Nut
51	960461	Brass Bushing Only
52	960236	Wheel Bracket
53	9812426	1/4" x 1-3/4" Roll Pin
54	86170	3/8" x 1" Hex Bolt
55	81592	3/8" Hex Nut
56	960400	Wheel Bearing Only
57	967158	3/4" - 1/2" Reducer Bushings
58	81527	1/4" x 1" Hex Bolt
59	81546	1/4" B.S. Flat Washer

8" & 10" Electric Motor Drive Unloading Auger



UNA-02

Item	Part Number	Description
1	960187	Tube Weldment (8")
	960462	Tube Weldment (10")
2	960325	Hopper Weldment (8")
	960440	Hopper Weldment (10")
3	960188	Tube Flighting (8")
	960463	Tube Flighting (10")
4	960268	Hopper Flighting (8")
	960233	Hopper Flighting (10")
5	960241	Universal Joint (1140)
6	960326	Bushing Holder w/ Bushing
7	960461	Bushing Only
8	960189	Axle Assembly (8")
	960316	Axle Assembly (10")
9	960048	2-1/2" x 8" Wheel
10	961627	1" Bearing
11	973511	1" Bearing Flange
12	960153	Hopper Rubber Edging (4" x 90")
13	960154	Rubber Connector Plate (2" x 3")
14	960155	Side Rubber Reinforced (1" x 45-1/2")
15	960156	End Rubber Reinforced (1" x 16")
16	973613	16" x 4.8" Wheel w/ Tire
	973655	Wheel Only (8" x 2.5")
	973656	Tire w/ Tube (4.80/4.00-8)
17	86170	3/8" x 1" Hex Bolt
18	960400	Wheel Bearing Only
19	960238	Splash Guard
20	960239	Splash Guard Clips
21	960237	Box Cover 6-3/4" x 14-1/4" - 8" Una
	908344	Box Cover 6-1/2" x 16" - 10" Una
22	960190	Motor Drive End Plate (8")
	960321	Motor Drive End Plate (10")
23	963707	Motor Mount Assembly
24	960464	Motor Mount Support
25	961567	12" Double Pulley
26	F1307	Belt Guard
27	968811	1/4" Sq. x 2" Key
28	81213	3/8" x 1" Sq. Hd. Set Screw
29	81700	3/4" Hex Nut
30	81549	5/16" x 3/4" Hex Bolt
31	81569	5/16" Lock Washer
32	81568	5/16" Hex Nut

Item	Part Number	Description
33	86171	3/8" x 1-1/4" Hex Bolt
34	81593	3/8" Lock Washer
35	81592	3/8" Hex Nut
36	86170	3/8" x 1" Hex Bolt (8")
	81620	1/2" x 1-1/4" Hex Bolt (10")
37	81593	3/8" Lock Washer (8")
	81637	1/2" Lock Washer (10")
38	81592	3/8" Hex Nut (8")
	81636	1/2" Hex Nut (10")
39	81527	1/4" x 1" Hex Bolt
40	81544	1/4" Hex Nut
41	84522	1" I.D. Flat Washer (S.A.E.)
42	9812433	3/16" x 1-1/2" Cotter Pin
43	963026	1/4" Sq. x 1-1/2" Key (8")
	960177	1/4" x 1-1/4" Key (10")
44	9812378	3/8" x 3/4" Sq. Hd. Set Screw (SER)
45	81598	7/16" x 1-1/4" Hex Bolt
46	84041	7/16" S.A.E. Flat Washer
47	81615	7/16" Lock Washer
48	81614	7/16" Hex Nut
49	81525	1/4" x 3/4" Hex Bolt
50	81545	1/4" Lock Washer
51	81546	1/4" B.S. Flat Washer
52	81671	5/8" x 4" Hex Bolt
53	812482	5/8" Lock Nut
54	960236	Wheel Bracket
55	9812426	1/4" x 1-3/4" Roll Pin

Shipping Kit and Bundle Numbers

The following is a list of Kit Numbers for this product and the Bundle Numbers, Descriptions, and Quantities for each Kit.

Quantity	Bundle Number	Description
Y810H 8" Hydraulic Unloading Auger		
1	F1050	8" x 9' Auger Tube
1	F1051	Carton of Parts
1	F1052	Axle Assembly
1	F7338	Hopper Assembly
Y810E 8" Motor Drive Unloading Auger		
1	F0962	8" x 9' Auger Tube
1	F1054	Carton of Parts
1	F1055	Axle Assembly
1	F1307	Belt Guard
1	F7338	Hopper Assembly
Y1010H 10" Hydraulic Unloading Auger		
1	F1011	10" x 9' Auger Tube
1	F1013	Carton of Parts
1	F1014	Axle Assembly
1	F9041	Hopper Assembly
Y1010E 10" Motor Drive Unloading Auger		
1	F1015	10" x 9' Auger Tube
1	F1016	Carton of Parts
1	F1017	Axle Assembly
1	F1307	Belt Guard
1	F9041	Hopper Assembly

Farm King Limited Warranty

This document limits your warranty rights.

Base Limited Warranty

Buhler Industries Inc. provides this warranty only to original retail purchasers of its product. Buhler Industries Inc. warrants to such purchasers that all Buhler Industries Inc. manufactured parts and components used and serviced as provided for in the Operator's Manual shall be free from defects in materials and workmanship for a period following delivery to the original retail purchaser of 12 months (80 days for commercial applications). This limited warranty applies only to those parts and components manufactured by Buhler Industries Inc. Parts and components manufactured by others are subject to their manufacturer's warranties, if any.

Buhler Industries Inc. will fulfill this limited warranty by, at its option, repairing or replacing any covered part that is defective or is the result of improper workmanship, provided that the part is returned to Buhler Industries Inc. within thirty (30) days of the date that such defect or improper workmanship is, or should have been, discovered. Buhler Industries Inc. reserves the right to either inspect the product at the buyer's location or have it returned to the factory for inspection. Parts must be returned through the selling representative and the buyer must prepay transportation charges.

Buhler Industries Inc. will not be responsible for repairs or replacements that are necessitated, in whole or part, by the use of parts not manufactured by or obtained from Buhler Industries Inc. Under no circumstances are component parts warranted against normal wear and tear. There is no warranty on product pump seals, product pump bearings, rubber product hoses, pressure gauges, or other components that require replacement as part of normal maintenance. Also: Buckets and Bucket Tines carry no warranty, Bent Spears carry no warranty, Snowblower Fan Shafts carry no warranty, Mower Blades carry no warranty, Portable Auger Parts Have Two (2) Year Warranty, Loader Parts Have Two (2) Year Warranty. The purchaser is solely responsible for determining suitability of goods sold. This warranty is expressly in lieu of all other warranties expressed or implied. Buhler Industries Inc. will in no event be liable for any incidental or consequential damages whatsoever. Nor for any sum in excess of the price received for the goods for which liability is claimed.

Repair Parts Limited Warranty

Buhler Industries Inc. warrants Farm King replacement parts purchased after the expiration of the Buhler Industries Inc. Limited Warranty, and used and serviced as provided for in the Operator's Manual, to be free from defects in materials or workmanship for a period of thirty (30) days from the invoice date for the parts. Buhler Industries Inc. will fulfill this limited warranty by, at its option, repairing or replacing any covered part that is defective or is the result of improper workmanship, provided that the part is returned to Buhler Industries Inc. within thirty (30) days of the date that such defect or improper workmanship is, or should have been, discovered. Such parts must be shipped to Buhler Industries Inc. at the purchaser's expense.

What is Not Covered

Under no circumstances does this limited warranty cover any components or parts that have been subject to the following: negligence; alteration or modification not approved by Buhler Industries Inc.; misuse; improper storage; lack of reasonable and proper maintenance, service, or repair; normal wear; damage from failure to follow operating instructions; accident; and/or repairs that have been made with parts other than those manufactured, supplied, and or authorized by Buhler Industries Inc.

Authorized Dealer and Labor Costs

Repairs eligible for labor under this limited warranty must be made by Buhler Industries Inc. or an authorized Farm King dealer. Buhler Industries Inc. retains the exclusive discretion to determine whether it will pay labor costs for warranty repairs or replacements, and the amount of such costs that it will pay and the time in which the repairs will be made. If Buhler Industries Inc. determines that it will pay labor costs for warranty work, it will do so by issuing a credit to the dealer's or distributor's account. Buhler Industries Inc. will not approve or pay invoices sent for repairs that Buhler Industries Inc. has not previously approved. Warranty service does not extend the original term of this limited warranty.

Warranty Requirements

To be covered by warranty, each Farm King new product must be registered with Buhler Industries Inc. within thirty (30) days of delivery to original retail purchaser. If the customer decides to purchase replacement components before the warranty disposition of such components is determined, Buhler Industries Inc. will bill the customer for such components and then credit the replacement invoice for those components later determined to be covered by this limited warranty. Any such replacement components that are determined not be covered by this limited warranty will be subject to the terms of the invoice and shall be paid for by the purchaser.

Warranty Claims:

Warranty requests must be prepared on Buhler Industries Inc. Warranty Claim Forms with all requested information properly completed. Warranty Claims must be submitted within a thirty (30) day period from date of failure repair.

Warranty Labor:

Any labor subject to warranty must be authorized by Buhler Industries Inc. The labor rate for replacing defective parts, where applicable, will be credited at 100% of the dealer's posted shop rate. Defective parts will receive an extra 10% discount to assist with freight or other incidental costs.

Exclusive Effect of Warranty and Limitation of Liability

TO THE EXTENT PERMITTED BY LAW, BUHLER INDUSTRIES INC. DISCLAIMS ANY WARRANTIES, REPRESENTATIONS, OR PROMISES, EXPRESS OR IMPLIED, AS TO THE QUALITY, PERFORMANCE, OR FREEDOM FROM DEFECT OF THE COMPONENTS AND PARTS COVERED BY THIS WARRANTY AND NOT SPECIFICALLY PROVIDED FOR HEREIN.

TO THE EXTENT PERMITTED BY LAW, BUHLER INDUSTRIES INC. DISCLAIMS ANY IMPLIED WARRANTIES OF MERCHANTABILITY AND FITNESS FOR A PARTICULAR PURPOSE ON ITS PRODUCTS COVERED HEREIN, AND DISCLAIMS ANY RELIANCE BY THE PURCHASER ON BUHLER INDUSTRIES INC.'S SKILL OR JUDGMENT TO SELECT OR FURNISH GOODS FOR ANY PARTICULAR PURPOSE. THE PURCHASER'S ONLY AND EXCLUSIVE REMEDIES IN CONNECTION WITH THE BREACH OR PERFORMANCE OF ANY WARRANTY ON PRODUCTS MANUFACTURED BY BUHLER INDUSTRIES INC. ARE THOSE SET FORTH HEREIN. IN NO EVENT SHALL BUHLER INDUSTRIES INC. BE LIABLE FOR INCIDENTAL OR CONSEQUENTIAL DAMAGES (INCLUDING, BY WAY OF EXAMPLE ONLY AND NOT LIMITATION, LOSS OF CROPS, LOSS OF PROFITS OR REVENUE, OTHER COMMERCIAL LOSSES, INCONVENIENCE, OR COST OF REPLACEMENT OF RENTAL EQUIPMENT). IN NO EVENT SHALL FARM KING'S CONTRACT OR WARRANTY LIABILITY EXCEED THE PURCHASE PRICE OF THE PRODUCT.

(Note that some provinces or states do not allow limitations on how long an implied warranty lasts or the exclusion or limitation of incidental or consequential damages, so the above limitations and exclusion may not apply to you.) This warranty gives you specific legal rights and you may also have other rights, which vary from province to province or state to state.

Buhler Industries Inc. neither assumes nor authorizes any person or entity, including its selling representatives, to assume any other obligations or liability in connections with the sale of covered equipment, or to make any other warranties, representations, or promises, express or implied, as to the quality, performance, or freedom from defect of the components and parts covered herein. No one is authorized to alter, modify, or enlarge this limited warranty, or its exclusions, limitations and reservations.

Corrections of defects and improper workmanship in the manner, and for the applicable time periods, provided for herein shall constitute fulfillment of all responsibilities of Buhler Industries Inc. to the purchaser, and Buhler Industries Inc. shall not be liable in negligence, contract, or on any other basis with respect to the subject equipment.

This limited warranty is subject to any existing conditions of supply which may directly affect Buhler Industries Inc.'s ability to obtain materials or manufacture replacement parts.

Buhler Industries Inc. reserves the right to make improvements in design or changes in specifications to its products at anytime, without incurring any obligation to owners of units previously sold.

Government Legislation:

Warranty terms and conditions are subject to provincial or state legislation.

Important Note: This warranty does not apply to rentals.

www.farm-king.com

Farm King

1330 43rd Street NW
Fargo, ND USA 58102
Ph.: 701.282.7014 | Fax: 701.282.5865
Toll Free: 888.524.1004
E-mail: info@buhler.com
www.farm-king.com

Equipment shown is subject to change without notice.
©2010 Buhler Trading Inc. Printed in USA. TSX:BUI

bühler | a division of Buhler Industries Inc.