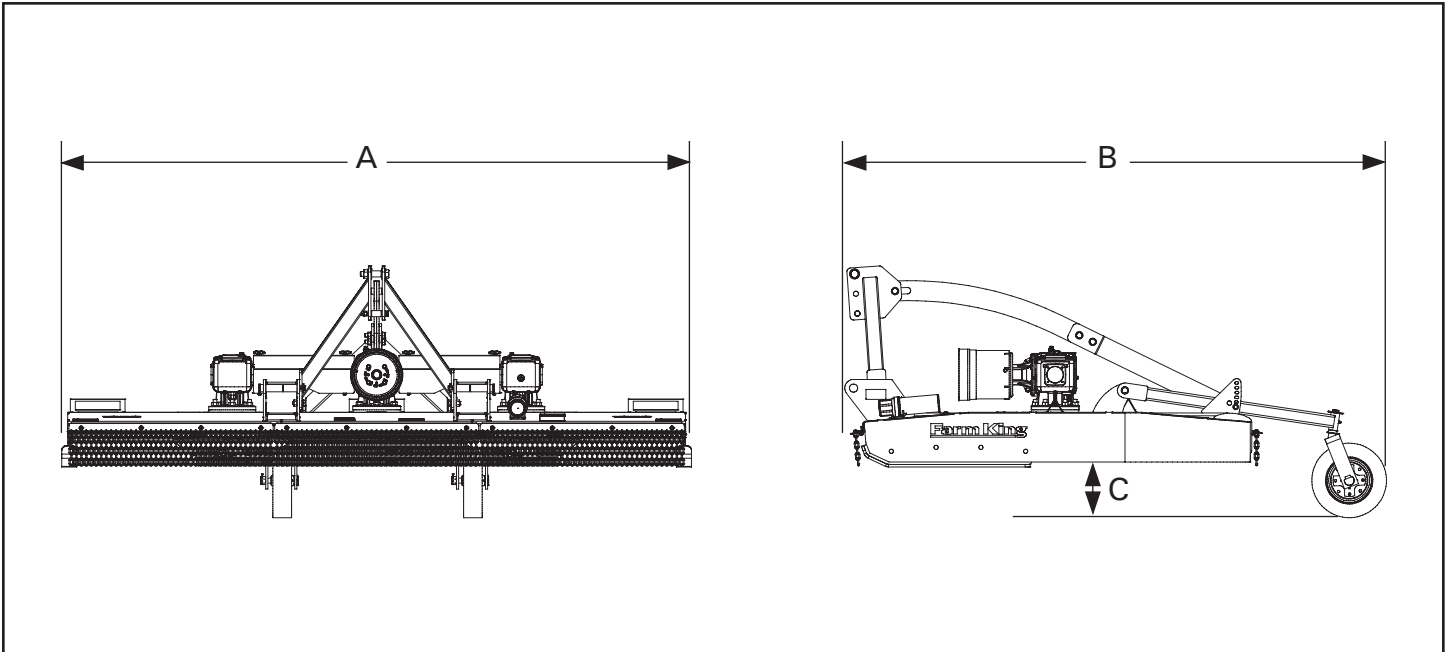


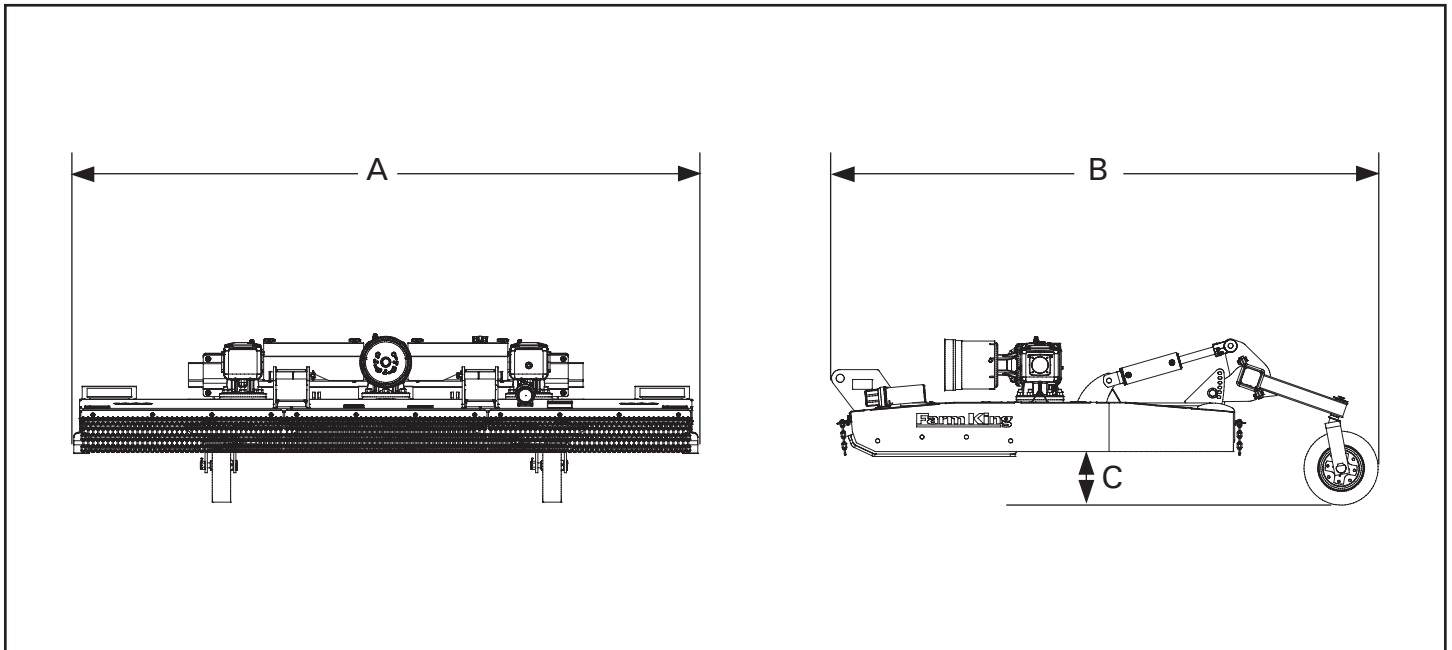
## Specifications

### Three-Point Model Specifications



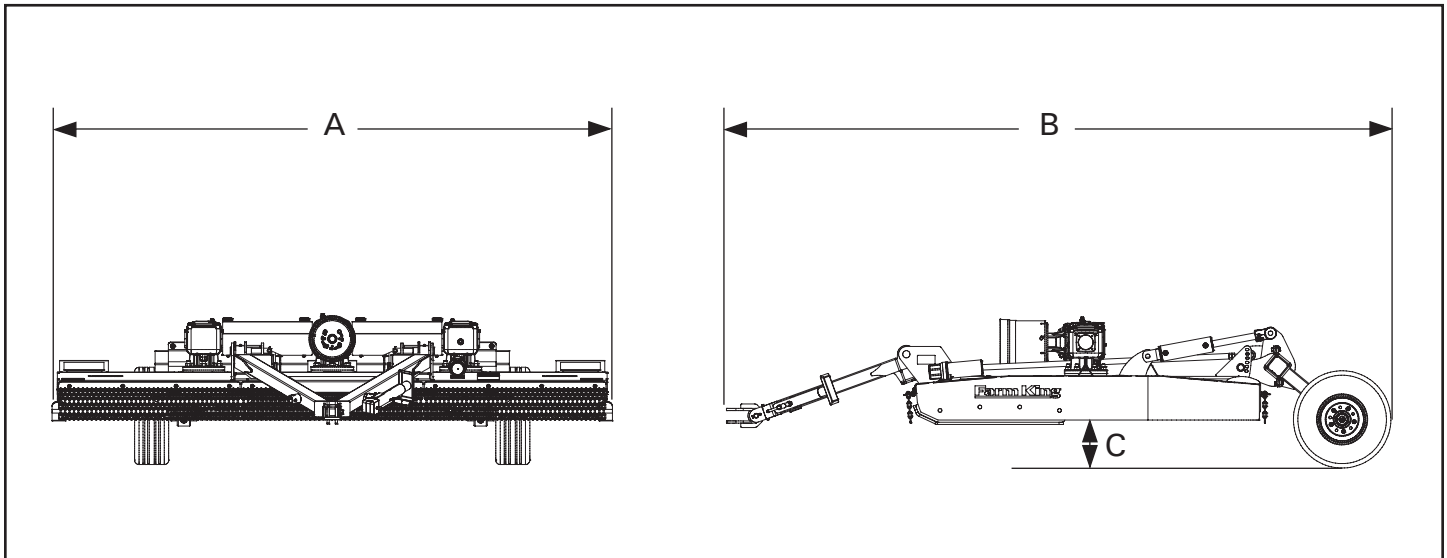
Model	1020
Overall Width (A)	126.5 in (3213.1 mm)
Overall Length (B)	110.75 in (2813 mm)
Transport Deck Height (C)	10 in (254 mm)
Cutting Height	2 - 12 in (50.8 mm - 304.8 mm)
Weight	2,150 lbs (975 kg)
Tractor HP Requirement (Min)	50 hp
Blade Tip Speed	16,390 ft/min
Blade Overlap	4 in (177 mm)
Blade	0.5 x 4 Uplift
Stump Jumper	Symmetric die pressed (7 Ga.)
Side Skid	Replaceable
Hitch	Cat II / III 3-Point
Tires	15 in. Solid Rubber Caster Wheels

**Semi Mount Model Specifications**



Model	1020
Overall Width (A)	126.5 in (3213.1 mm)
Overall Length (B)	114.95 in (2920 mm)
Transport Deck Height (C)	18 in (457 mm)
Cutting Height	2 - 12 in (50.8 mm - 304.8 mm)
Weight	2,200lbs (998 kg)
Tractor HP Requirement (Min)	50 hp
Blade Tip Speed	16,390 ft/min
Blade Overlap	4 in.
Blade	0.5 x 4 Uplift
Stump Jumper	Symmetric die pressed (7 Ga.)
Side Skid	Replaceable
Hitch	Cat II / III 3-Point
Tires	15 in Solid Rubber Caster Wheels

**Trailing Model Specifications**



Model	1020
Overall Width (A)	126.5 in (3213.1 mm)
Overall Length (B)	152.8 in (3881 mm)
Transport Deck Height (C)	10 in (254 mm)
Cutting Height	2 - 12 in (50.8 mm - 304.8 mm)
Weight	2,225 lbs (1009 kg)
Trailing Hitch Weight	1,000 lbs. (454 kg)
Tractor HP Requirement (Min)	50 hp
Blade Tip Speed	16,390 ft/min
Blade Overlap	4 in.
Blade	0.5 x 4 Uplift
Stump Jumper	Symmetric die pressed (7 Ga.)
Side Skid	Replaceable
Hitch	Swivel Clevis
Tires	24 x 7.7 x 10 Aircraft Tires (Air Filled)
	21 in. (53 cm) Laminated Wheels (Solid Rubber)