

For use with the following starting serial numbers:

BDHP900    BDHP9B  
BDHP1100    BDHP11B

# BDHP 9' & 11' Disc Harrows



**ATTENTION:**  
ALL WARRANTY WORK MUST BE APPROVED  
BY BROWN MFG. CORP.  
BEFORE WORK BEGINS



## Owner/Operator Manual



**HEAVY DUTY SINCE 1944**

6001 E. Hwy 27 - Ozark, AL 36360  
334.795.6603 - Fax: 334.795.3029

[www.brownmfgcorp.com](http://www.brownmfgcorp.com)

### **⚠️ WARNING**



Before operating your machine, stop and read this owners manual. Do not attempt to operate the unit until you fully understand the material covered in this manual. Without the knowledge contained in this manual, injury or death can result.

## **Copyright**

Copyright ©2000 Brown Manufacturing Corporation. All photos and illustrations are property of Brown Manufacturing Corporation. This publication may be freely reproduced, either in whole or in part, provided that the content herein is not altered.

## **Cover**

Pictured: Model BDHP-900 disc harrow.

## **Disclaimer**

Due to engineering improvements and revision of product specifications, the information contained in this manual is subject to change without notice.

# Contents

Warranty Statement.....	4
Owner Registration.....	5
Equipment Safety.....	7
Assembly.....	13
Operation.....	17
Troubleshooting .....	18
Specifications .....	19
Parts Listing .....	20
Replacement Parts.....	22

# Warranty Statement

## LIMITED WARRANTY

BROWN MANUFACTURING CORP. hereby warrants that Brown's products will be free from defects in material and workmanship under normal use according to the provisions and limitations herein set forth. All parts, specifically EXCLUDING expendable 'wear' parts, that become unserviceable, due to defective material or workmanship, within three months / 90 days from date of the original retail purchase, shall, at Brown's option, be repaired or replaced.

## LIMITATIONS

The obligations of Brown for breach of warranty shall be limited to products manufactured by Brown; (1) that are installed, operated, and maintained according to Brown's instruction furnished and/or available to the purchaser upon request; (2) that are installed according to all other applicable Federal, State, and local codes or regulations; and (3) that the purchaser substantiates were defective in material and workmanship notwithstanding that they were properly installed and correctly maintained as set forth and were not abused or misused. The obligation of Brown shall be limited to replacing or repairing the defective product, at the option of Brown. Brown shall not be responsible for any labor or cost of removal or repairing or reinstallation of its products and shall not be liable for transportation costs to and from its plant in Ozark, Alabama. Use of parts for modification or repair of the product or any component part thereof not authorized or manufactured by Brown specifically for such product shall void this warranty. This warranty shall not apply to any damage to or defect in the Brown's products that is directly or indirectly caused by; (1) FORCE MAJEURE, act of GOD, or other accident not related to an inherent product defect; or (2) abuse, misuse, or neglect of the such product, including any damage caused by improper assembly, installation, adjustment, or faulty instruction of the purchaser. **OTHER THAN AS EXPRESSLY SET FORTH HEREIN ABOVE, BROWN MAKES NO OTHER WARRANTY, EXPRESS OR IMPLIED, WITH RESPECT TO ANY OF BROWN'S PRODUCTS, INCLUDED BUT NOT LIMITED TO ANY MERCHANTABILITY OR FITNESS FOR A PARTICULAR PURPOSE. IN NO EVENT SHALL BROWN BE RESPONSIBLE FOR ANY INCIDENTAL OR CONSEQUENTIAL DAMAGES OF ANY NATURE SUFFERED BY PURCHASER OR ANY OTHER PERSON OR ENTITY CAUSED IN WHOLE OR IN PART BY ANY OF BROWN'S PRODUCTS.** Any person or entity to whom this warranty extends and who claims breach of warranty against Brown must bring suit thereon within one year from the date of occurrence of such breach of warranty or be forever barred from any and all legal or other remedies for such breach of warranty. Brown is not responsible for and hereby disclaims any undertaking, representation, or warranty made by any dealer, distributor, or other person that is inconsistent with or in any way more expensive than the provisions of this limited warranty. This warranty grants specific legal rights and shall be read in conformity with applicable state law. In some jurisdictions, the applicable law mandates warranty provisions that provide greater rights than those provided for herein. In such case, this limited warranty shall be read to include such mandates provisions; and any provision herein that is prohibited or unenforceable in any such jurisdiction shall, as to such jurisdiction, be ineffective to the extent of such prohibition or unenforceable without invalidating the remaining provisions and without affecting the validity or enforceability of such provisions in any other jurisdiction.

## STATEMENT OF POLICY

In accordance with our established policy of constant improvement, we reserve the right to amend these specifications at any time without notice.

## WARRANTY BY MANUFACTURER

Dealer/distributor understands and agrees that the manufacturer extends only the following warranty to its customers. In the event dealer/distributor extends any additional warranty such as enlarging the scope or period of warranty or undertaking a warranty of fitness for any particular purpose or obligation not encompassed in manufacturer's warranty, dealer/distributor shall be solely responsible therefore and shall have no recourse against manufacturer with respect thereto.

# Owner Registration

To place the manufacturer's warranty into effect, the registration card below must be mailed within thirty (30) days after receiving equipment.

## Owner Registration



**Important:** Please record your Model, Serial Number, Date Purchased, and Dealer Information for future reference.

Model: BDHP- \_\_\_\_\_

Serial No.: \_\_\_\_\_

**For further information:**  
Brown Manufacturing Corp.  
6001 E. Hwy 27  
Ozark, AL 36360

Date Purchased: \_\_\_\_ / \_\_\_\_ / \_\_\_\_

Dealer: \_\_\_\_\_

Phone: (334) 795-6603  
Toll Free: (800) 663-8909  
FAX: (334) 795-3029

www.brownmfgcorp.com  
brown@brownmfgcorp.com

## Owner Registration



**Important:** To place the manufacturer's warranty into effect, this card must be mailed within thirty (30) days after receiving equipment.

Name: \_\_\_\_\_

Address: \_\_\_\_\_

City: \_\_\_\_\_ State: \_\_\_\_\_

Model: BDHP- \_\_\_\_\_

Serial No.: \_\_\_\_\_

Date Purchased: \_\_\_\_ / \_\_\_\_ / \_\_\_\_

Dealer: \_\_\_\_\_



**Return to:**  
Brown Manufacturing Corp.  
6001 E. Hwy 27  
Ozark, AL 36360

**Please use envelope.**

# Equipment Safety

## Warning: Read this manual before operation.

Operators of the equipment must read and understand this manual. Failure to read this manual and follow these safety and operating instructions could result in serious bodily injury or even death.

 <b>WARNING</b>	
	<p>Before operating your machine, stop and read this owners manual. Do not attempt to operate the unit until you fully understand the material covered in this manual. Without the knowledge contained in this manual, injury or death can result.</p>

# Equipment Safety

## Recognize safety information

This is the safety alert symbol. When you see this symbol on your equipment or in this manual, be alert to the potential for personal injury or injury to others.



## Understand signal words

**DANGER** indicates an imminently hazardous situation which, if not avoided, will result in death or serious injury



**WARNING** indicates a hazardous situation which, if not avoided, could result in serious injury or death.



**CAUTION** indicates a potentially hazardous situation which, if not avoided, may result in minor or moderate injury.



**NOTICE** indicates information considered important but not directly hazard related. (e.g. security, hygiene, equipment or property damage).



## Follow safety instructions

- Read owner/operator manual.
- Replace missing or damaged safety decals.
- Safety decals and this manual must be considered a permanent part of your equipment.
- Should ownership of the equipment be transferred, this manual must also be transferred.
- Unauthorized modifications to the equipment are not recommended. This could impair the function, safety, and life of the machine.
- For any part of this manual that you do not understand, contact your dealer or Brown Manufacturing Corporation at (800) 633-8909.
- All implements with moving parts are potentially dangerous. Due to this fact, there is no substitute for a safe, knowledgeable operator. It is important that all persons operating this equipment read, understand, and follow the instructions provided in this manual.

**DO NOT OPERATE THIS UNIT IF YOU ARE UNDER THE INFLUENCE OF ALCOHOL, ILLEGAL DRUGS, OR ANY PRESCRIPTION OR OVER THE COUNTER MEDICATIONS THAT COULD CAUSE DROWSINESS, DIZZINESS, DISORIENTATION AND/OR IMPAIR YOUR ABILITY IN ANY WAY TO SAFELY OPERATE THE UNIT.**





**DO NOT OPERATE THIS UNIT IF YOU SUFFER FROM ANY PHYSICAL CONDITION OR DISABILITY THAT WOULD IMPAIR YOUR ABILITY TO OPERATE IT SAFELY.**







# Equipment Safety

## Safety Decals

The following safety decals should be attached to the equipment at all times. Should any decal become damaged or lost, it is the responsibility of the owner to replace it. Additional decals may be obtained from the manufacturer.

 <b>WARNING</b>	 <b>ADVERTENCIA</b>
	<p>Antes de probar la unidad por primera vez deben remitirse a las instrucciones contenidas en el manual.</p>
<p>Read and understand owner's manual before operating unit.</p>	 <b>ADVERTISSEMENT</b> <p>S'assurer de bien comprendre toutes les consignes du manuel de propriétaire avant d'utiliser la unité.</p>

Part No.: SD-010.

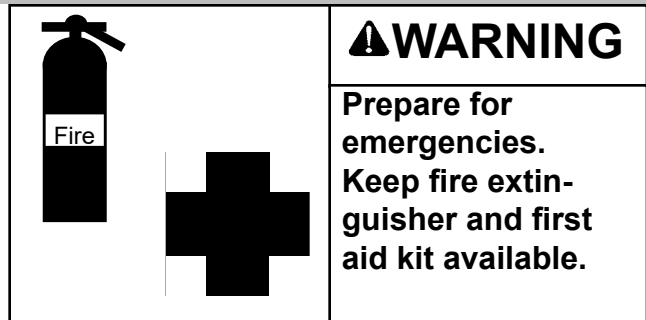
 <b>DANGER</b>	 <b>PELIGRO</b>
	<p><b>CUCHILLAS ROTATIVAS</b></p> <ul style="list-style-type: none"> <li>•Guarden las monas y los pies lejos de las cuchillas.</li> <li>•No se acerquen a la máquina estando funcionando el motor.</li> </ul>
<p><b>ROTATING BLADES</b></p> <ul style="list-style-type: none"> <li>•Keep hands and feet away from blades.</li> <li>•Stay away from machine when engine running.</li> </ul>	 <b>DANGER</b> <p><b>LAMES ROTATIVES</b></p> <ul style="list-style-type: none"> <li>•Garder les mains et les pieds éloignés des lames rotatives.</li> <li>•Rester loin de la machine quand le moteur tourne.</li> </ul>

Part No.: SD-012A.

# Equipment Safety

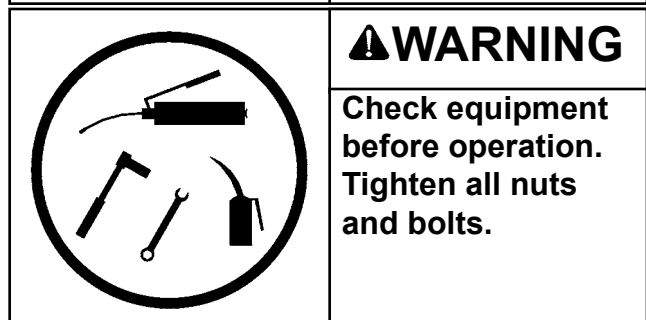
## Warning! Prepare for emergencies.

Keep fire extinguisher and first aid kit available.



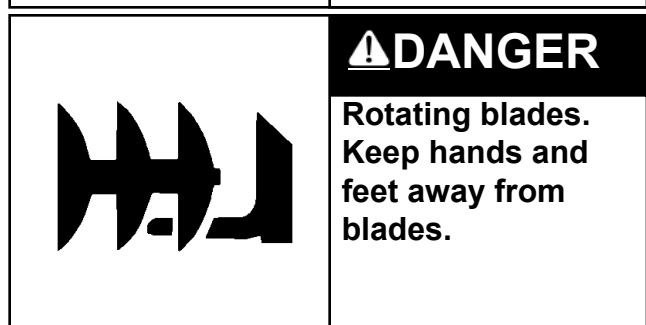
## Warning! Check equipment before operating.

Tighten all nuts and bolts before operating. Make certain that equipment is lowered to ground before attempting to make adjustments or perform maintenance.



## Danger! Stay clear of rotating blades.

The harrow is designed to cut soil, turf, and ground litter. Keep hands and feet away from blades!



## Danger! Keep riders off machine.

Riders can be seriously injured or killed by entanglement or by falling.

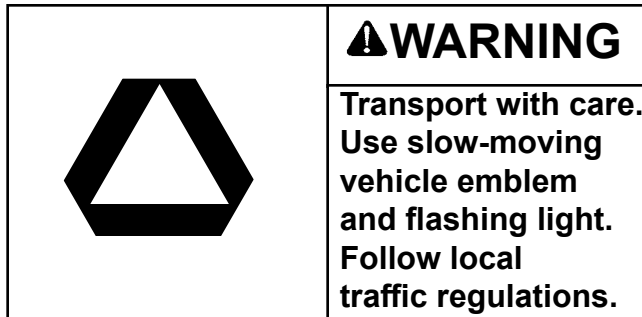


## ⚠️ Warning!

Fasten Seatbelt!  
Before Starting Tractor!  
Always Wear Your Seatbelt.

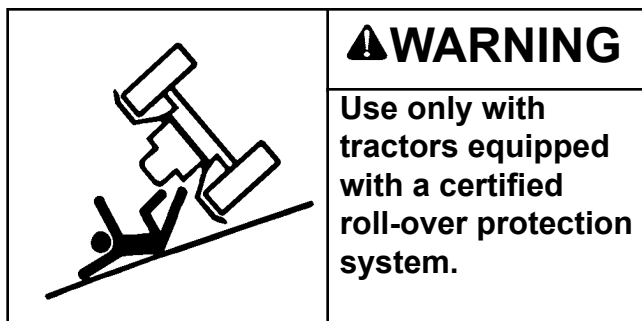


# Equipment Safety



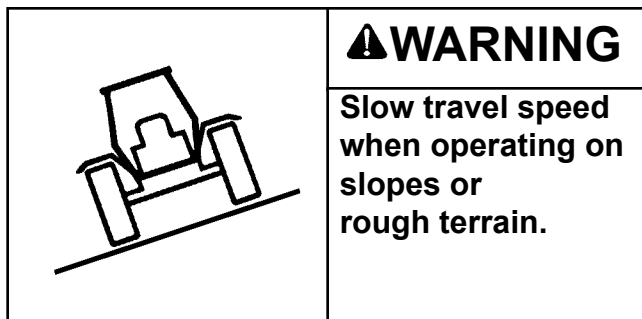
## Warning! Transport with care.

Before transporting to a new location, make certain that the slow-moving vehicle emblem is installed and is clearly visible. Use flashing lights and follow local traffic regulations.



## Warning! Roll-over protection.

Do not operate the harrow on any tractor not equipped with a certified roll-over protection system.

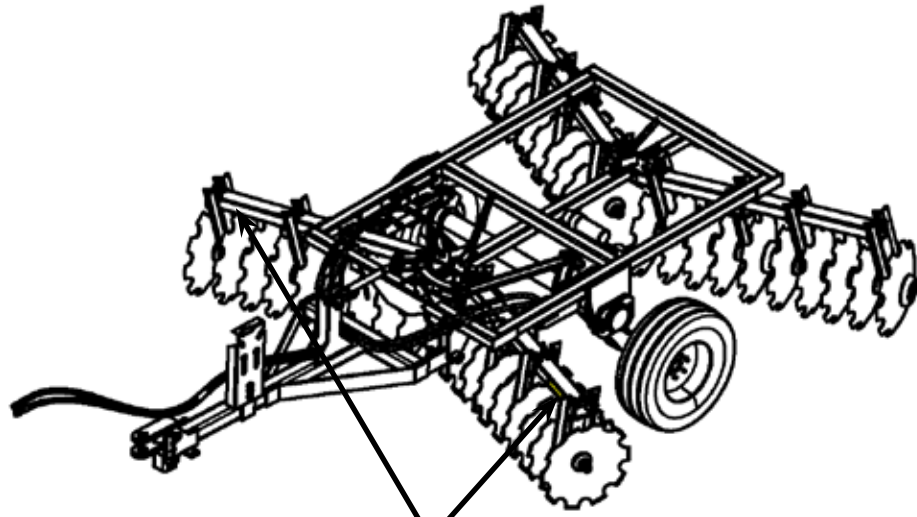


## Warning! Slopes and rough terrain.

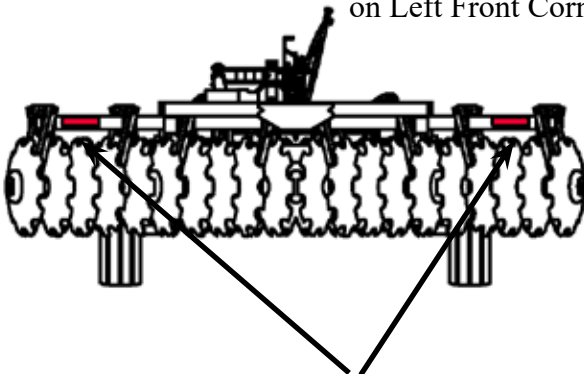
When operating on slopes or rough terrain, slow travel speed. Do not operate in an area where the tractor could roll over. **Be sure to fasten safety belt when operating tractor!**

# Equipment Safety

## Reflective Markings



Yellow Retroreflective Tape, Part # 500-237-0002,  
on Left Front Corner. 2"x 9", Zero to 16" from ends.



Red Retroreflective Tape, Part Number 500-237-0001,  
on Rear 2"x 9", zero to 16" from ends.

# Assembly

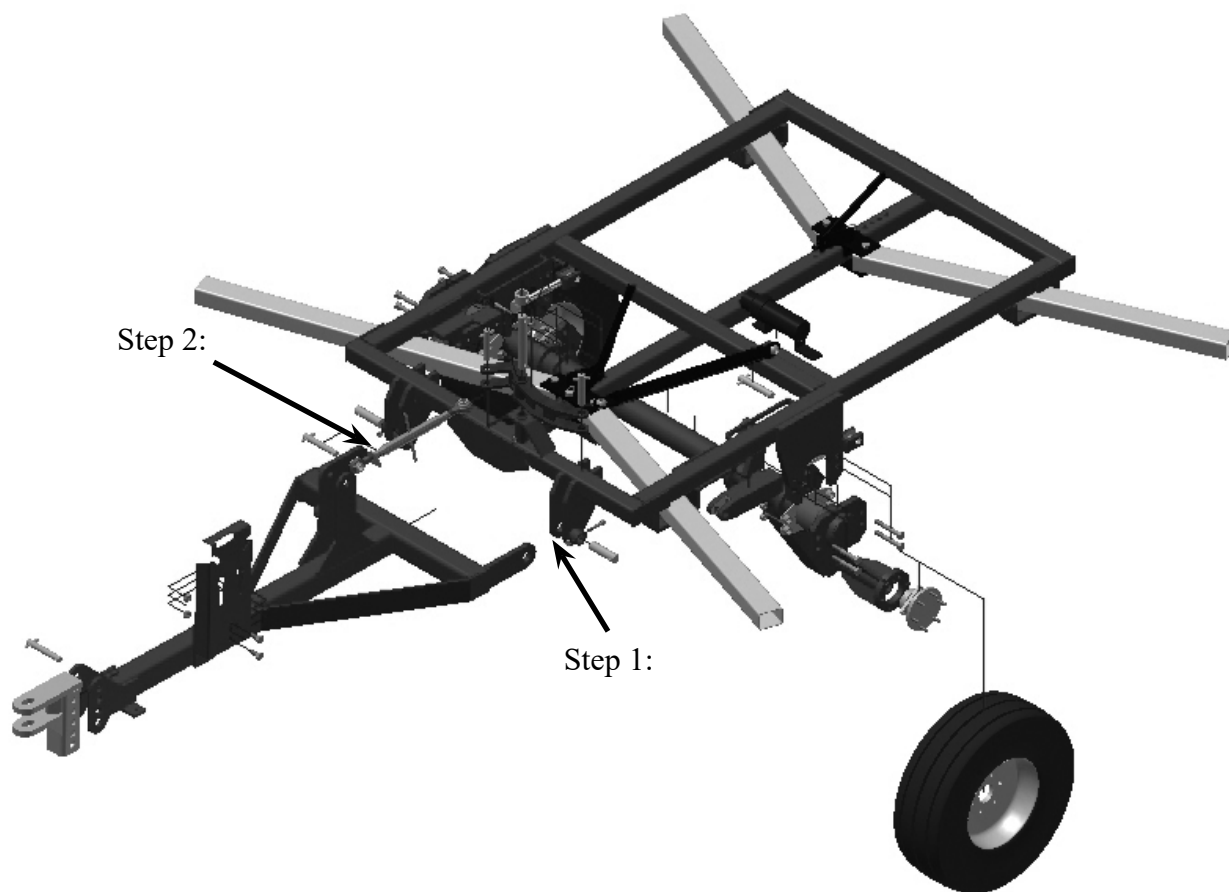
## Brown Disc Harrows

Brown Pull Type Disc Harrows come partially assembled, please check all fasteners to ensure correct torque before use and after two hours of use.

### Tongue assembly

Step 1: Pin rear of tongue to corresponding mounting holes in frame.

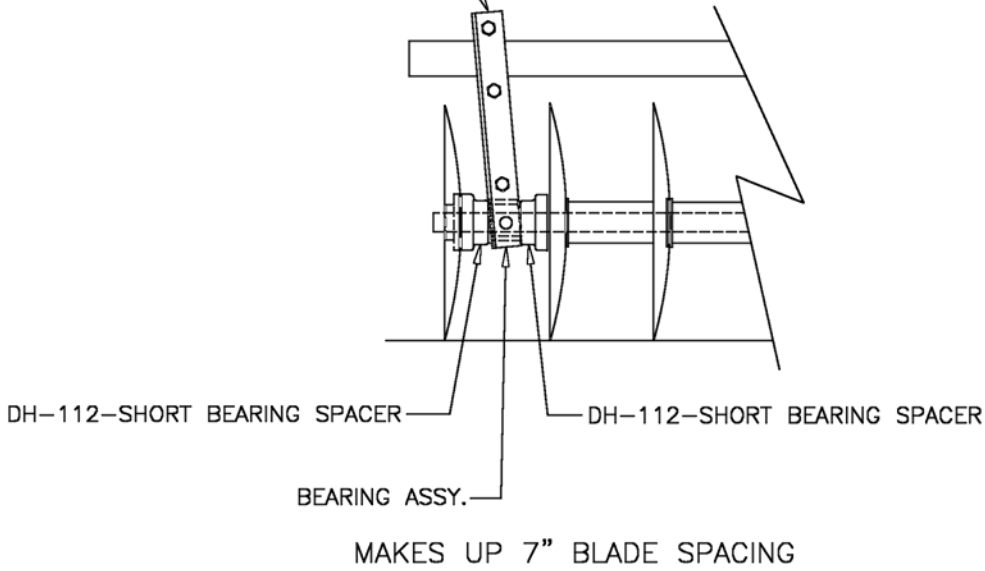
Step 2: Install Cat II top link as illustrated below.



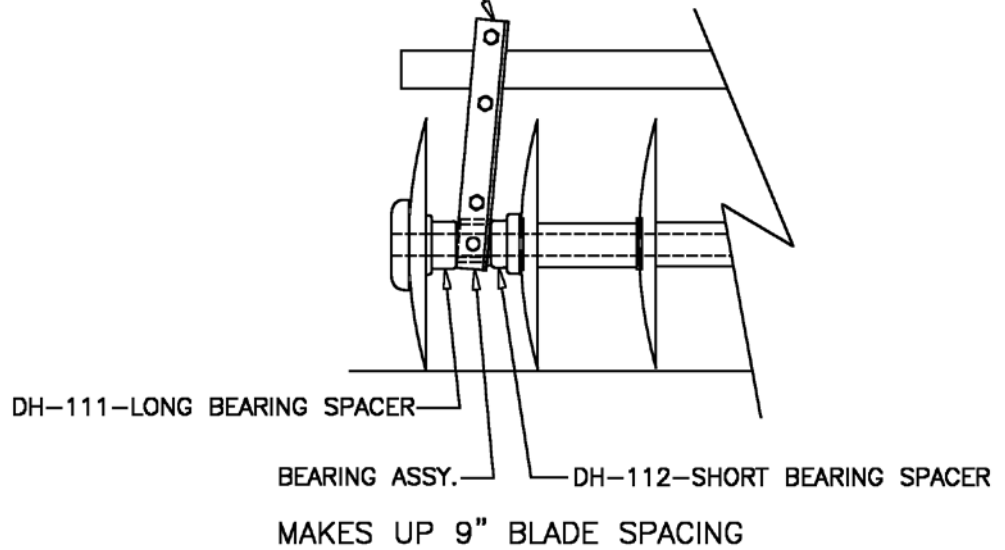
Model	Proper Gang Arm Length
BDHP-900 (front)	46" gang arm
BDHP-900 (rear)	54" gang arm
BDHP-1100 (front)	58" gang arm
BDHP-1100 (rear)	68" gang arm

# Assembly

BEARING HANGER LEANS OUTWARD  
ON FRONT GANGS

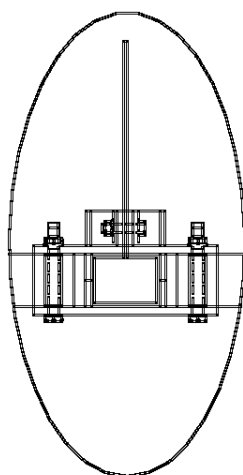


BEARING HANGER LEANS INWARD  
ON REAR GANGS

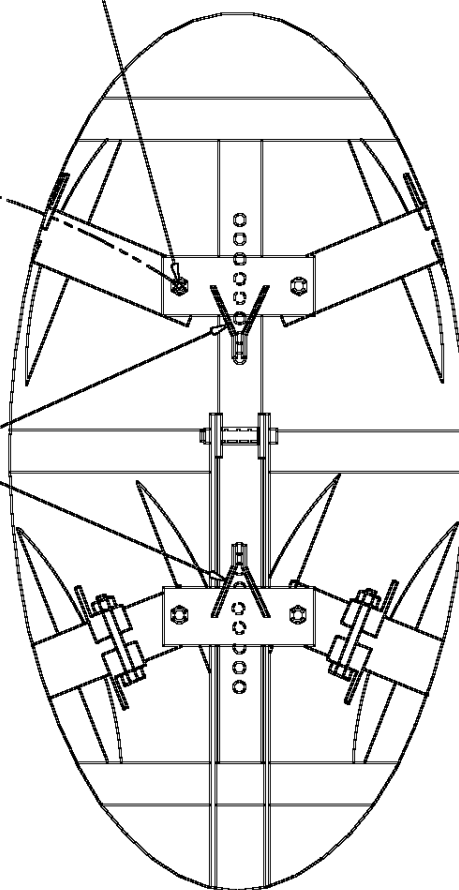


# Assembly

3/4" x 5 1/2" BOLTS SHOWN INSERTED FROM BOTTOM

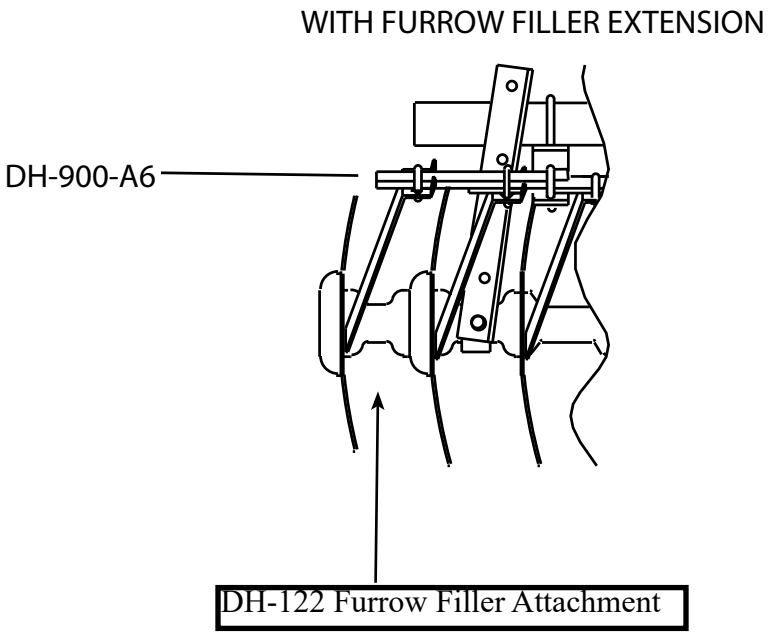
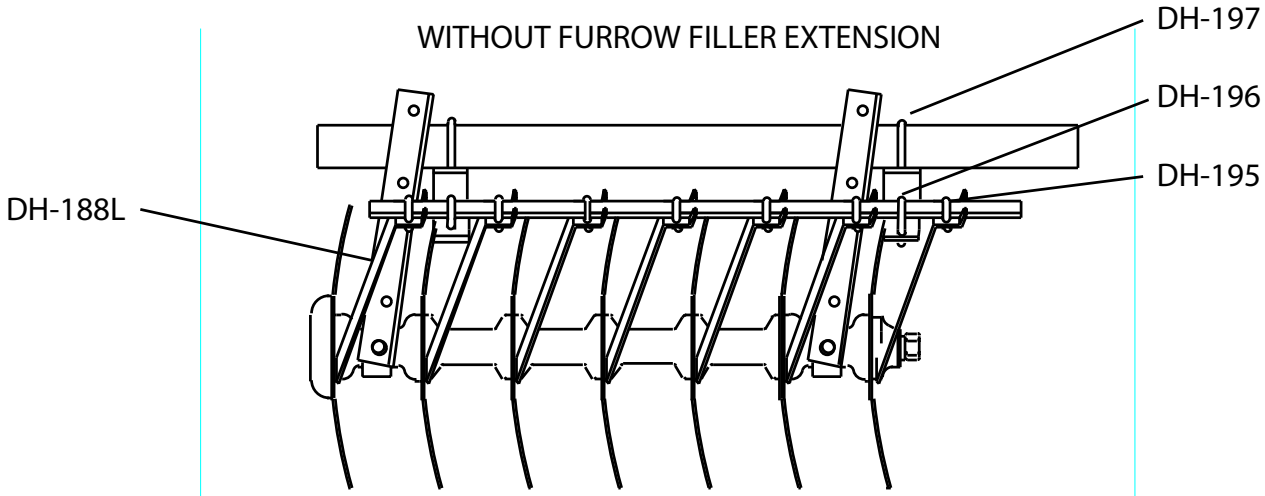


MOUNT TOP PLATE WITH LEVER HANDLES  
TO THE MIDDLE OF THE FRAME AS SHOWN



# Assembly

## Blade Scraper Assembly





# Operation



Before hitching harrow to your tractor, make sure all safety devices are installed on the tractor.

Please follow all safety instructions and procedures.

## Attach equipment to tractor.

Be sure the tractor is equipped with the correct category hitchpins, top link, etc.

Be extremely careful when positioning tractor to hitch to the equipment.



**Caution!** Never allow anyone between the tractor and the equipment during the hitching process.

## Adjust cutting depth.

Be sure the tractor engine is off, key is removed, and all movement of the tractor has stopped before dismounting to make adjustments.

Using the center link adjustment set the equipment so that the front and rear gangs are cutting at the same depth. Adjust wheel depth at the required position to maintain a uniform depth.

## Operating speed

Proper operating speed for equipment will depend upon the soil conditions and the particular application.



**Warning!** Avoid personal injury. Never allow anyone to ride on the tractor or harrow.

**Remember:** The safe operation of this equipment is the responsibility of the operator. The operator should be familiar with both the tractor and the equipment. He should read and understand all applicable operator manuals and follow all safety practices.

# Troubleshooting

<b>Problem</b>	<b>Possible Cause(s)</b>	<b>Possible Solution(s)</b>
Leaving center ridge	<ol style="list-style-type: none"> <li>1. Excessive Speed</li> <li>2. Rear gangs cut too deep</li> <li>3. Top link too long</li> </ol>	<ol style="list-style-type: none"> <li>1. Reduce speed</li> <li>2. Reduce gang angle</li> <li>3. Shorten top link</li> </ol>
Leaving center valley	<ol style="list-style-type: none"> <li>1. Insufficient speed</li> <li>2. Rear gangs too shallow</li> <li>3. Top link too short</li> <li>4. Rear gangs too far apart.</li> </ol>	<ol style="list-style-type: none"> <li>1. Increase speed</li> <li>2. Increase gang angle</li> <li>3. lengthen top link</li> <li>4. Adjust gap in rear gangs</li> </ol>
Side draft	Harrow not level side-to-side	Level draft lengths
Tractor wheel slippage	Not enough ballast	Add weights or liquids to tractor
Plugging	<ol style="list-style-type: none"> <li>1. Extremely wet soil</li> <li>2. Gangs set at too great an angle</li> <li>3. Not using scrapers</li> </ol>	<ol style="list-style-type: none"> <li>1. Allow soil to dry</li> <li>2. Reduce angle</li> <li>3. Install scrapers</li> </ol>
Outside furrows too deep	Not using furrow fillers	Install furrow fillers
Poor penetration	<ol style="list-style-type: none"> <li>1. Insufficient gang angle</li> <li>2. Lift set too high</li> </ol>	<ol style="list-style-type: none"> <li>1. Increase gang angle</li> <li>2. Reduce lift height</li> </ol>

# Specifications

Model	No./Dia. Blades	Spacing	Approx. Width Cut	Weight	No. Bearings
BDHP-900-2422	24/22	9/9	9'3"	2544 lbs.	8
BDHP-900-2622	26/22	9/7	8'11"	2610 lbs.	8
BDHP-1100-3022	30/22	9/9	12'2"	3109 lbs.	12
BDHP-1100-3222	32/22	9/7	11'	3146 lbs.	12

## Standard Features

3" x 3", 3" x 4" high tensile steel tube frame

Triple-sealed ball bearings

Self-aligning bearing housings

1 1/8" axles

Cast iron spacers

Notched blades

## Options

### Part No.

Balk Buster assembly

DH-191A

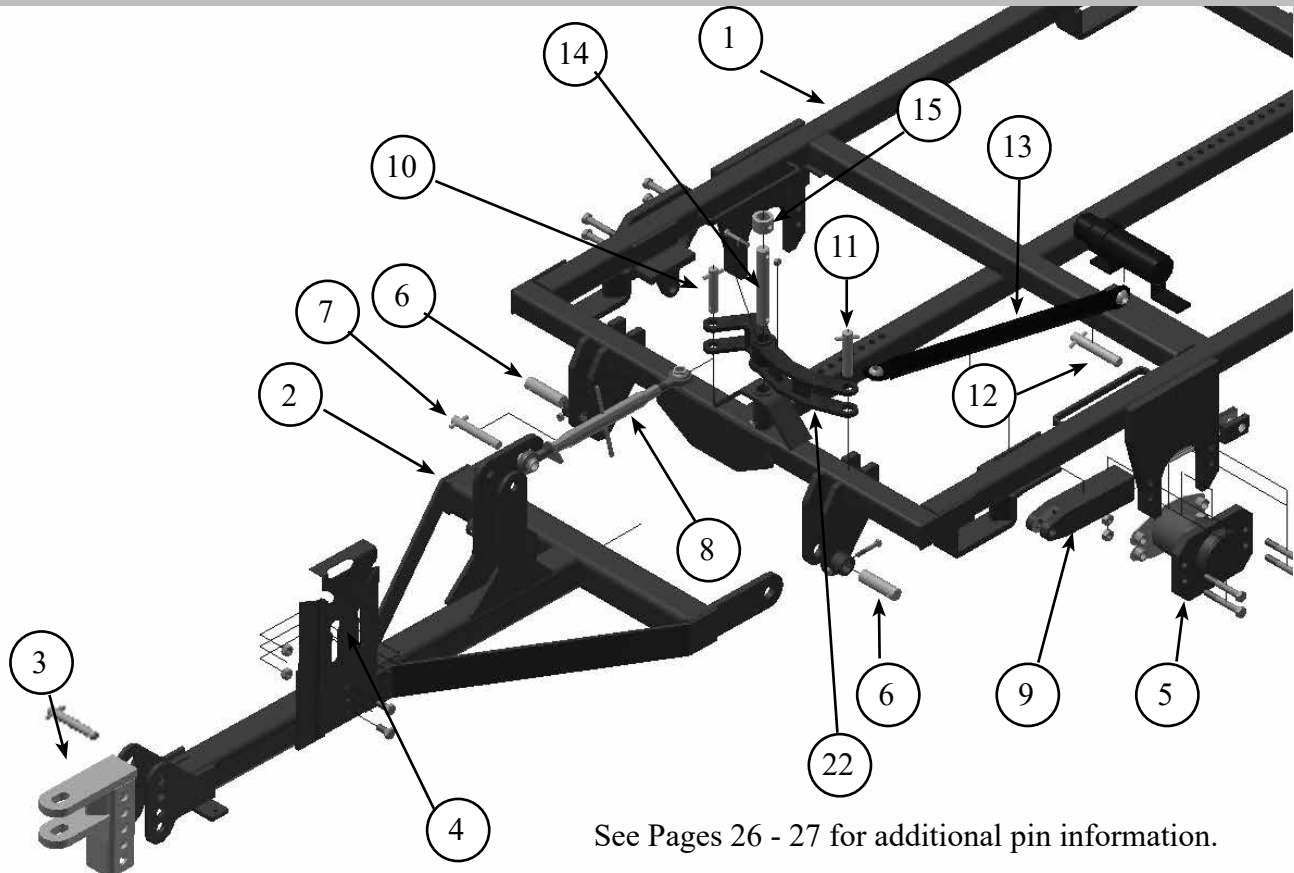
Scraper Assembly

Last 7 digits of model [xxx]-[xxxx] FR (front and rear) or R (rear) i.e. 600-1620FR

Furrow Filler adapter  
(two needed)

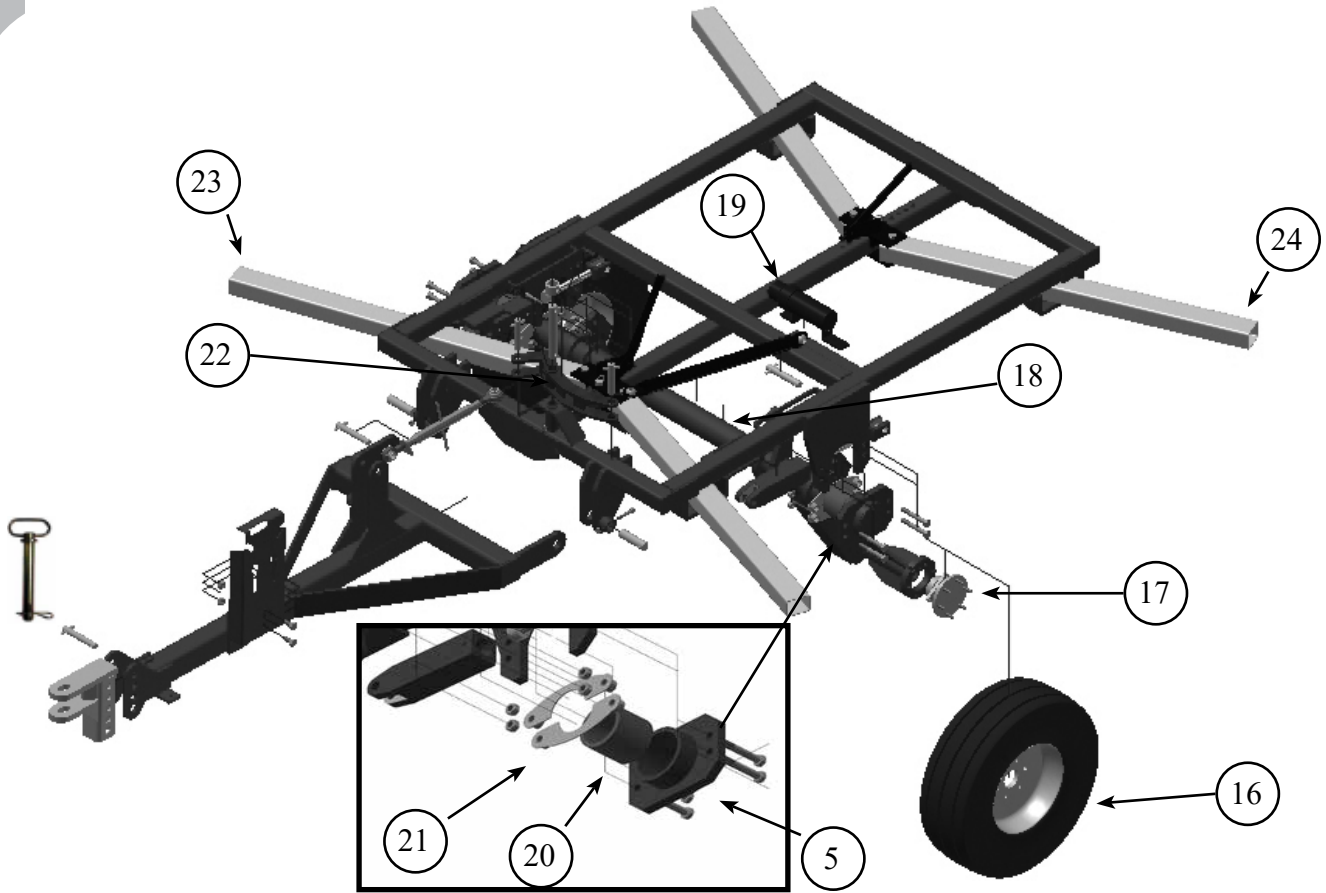
DH-122A - Disc blade is not included with this item.

# Parts Listing



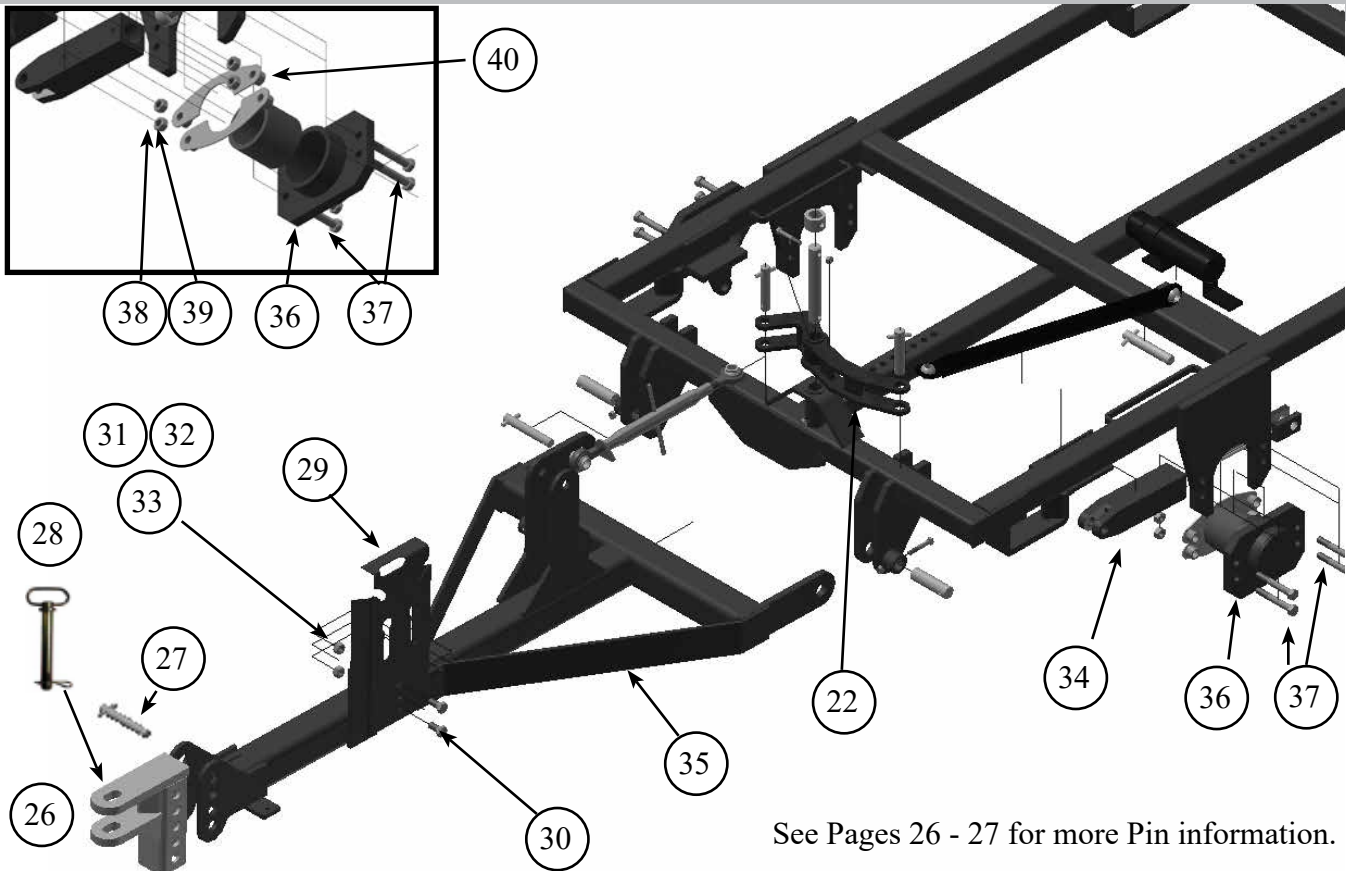
Ref. No.	Part No.	Qty Required	Description
1	234-1105	1	9/11ft Disc Harrow Frame, Pull
2	234-1020	1	Tongue Assembly - Pull Type
3	234-1070	1	Double Clevis Drawbar Hitch - uses TC-126K pins
4	234-1400	1	Hydraulic Hose Tender (See Page 22 for bolts)
5	234-1030	2	Axle Retainer
6	700-234-1895	2	Tongue to Frame Pin, 1 7/16" x 5" CRR
7	234-3105	1	Top Link Cat II Pin Extra Length, Tongue Attachment
	HC58C48Z	2	Bolt 1/2"-13 x 3 Grade 5, Zinc
	NSB50CZ	2	Stover Lock Nut, 1/2"-13 Grade 5, Zinc
8	255-2500	1	Top Link, Cat II
9	233-0360	2	Hydraulic Lift Cylinder 3000 PSI
10	234-3100	1	Top Link Cat II Pin Extra Length
11	234-3110	1	Lower Link Cat II Pin Extra Length
12	234-3115	1	Lower Link Cat II Pin Extra Length, To Axle
13	234-2120	1	Leveling Bar 9-11 Foot Pull Type
14	700-234-1890	1	Pivot Shaft for Lift Leveling Mech.
15	61-C	1	Pin Collar

# Parts Listing



Ref. No.	Part No.	Qty Required	Description
16	234-5560	2	Tire & Wheel 9.5L15 HSP31 8 Ply 6 on 5.5" BC
17	255-6500	2	Unit Bearing Hub 6 on 5.5 BC
not shown	MCS14F45Z	3 per bearing	Unit Bearing Mounting Bolts M14x1.5x45x10.9Gr.
not shown	LNM1415Z	6 per wheel	Wheel Lug Nut 14mm x 1.5 Plated
18	234-1050	1	Axle-Lift Arm - Pull Type
19	MH-01	1	Manual Holder Tube
not shown	NNE516CZ	2	Nut, Nylon Lock 5/16" Zinc - for Manual Holder MH-01
not shown	CB5516C16Z	2	Bolt, 5/16" X 1" USS Carriage - for Manual Holder MH-01
20	234-0400	2	Oil Filled Nylon Bushing
21	234-2110	4	Axle Bushing Capture
22	234-1010	1	Leveling Adjustment Pivot 9-11 foot
23	DH-130	2	46" gang arm for BDHP-900 (front)
	DH-1158	2	58" gang arm for BDHP-1100 (front)
24	DH-132	2	54" gang arm for BDHP-900 (rear)
	DH-135	2	68" gang arm for BDH-1100 (rear)

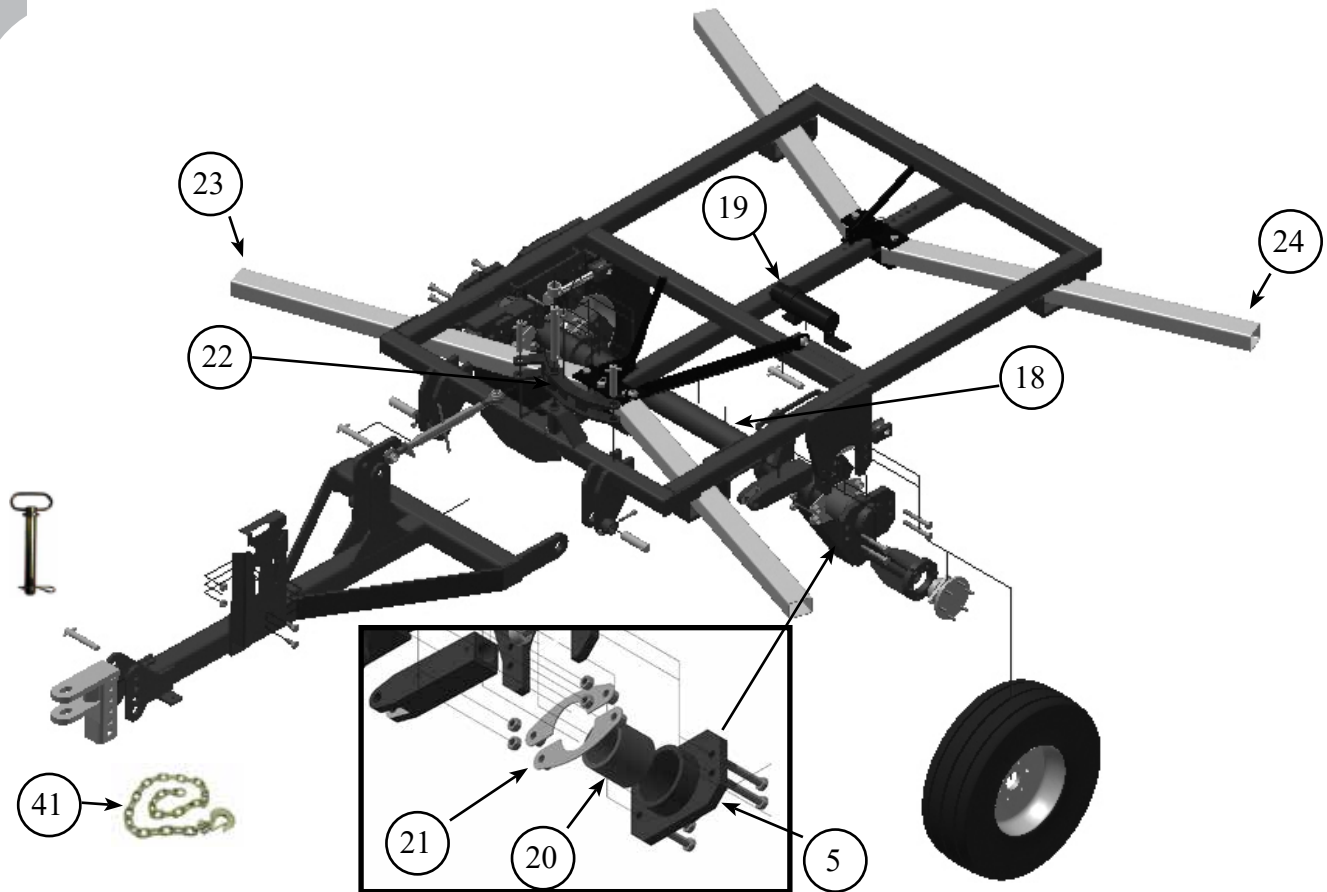
# Parts Listing



See Pages 26 - 27 for more Pin information.

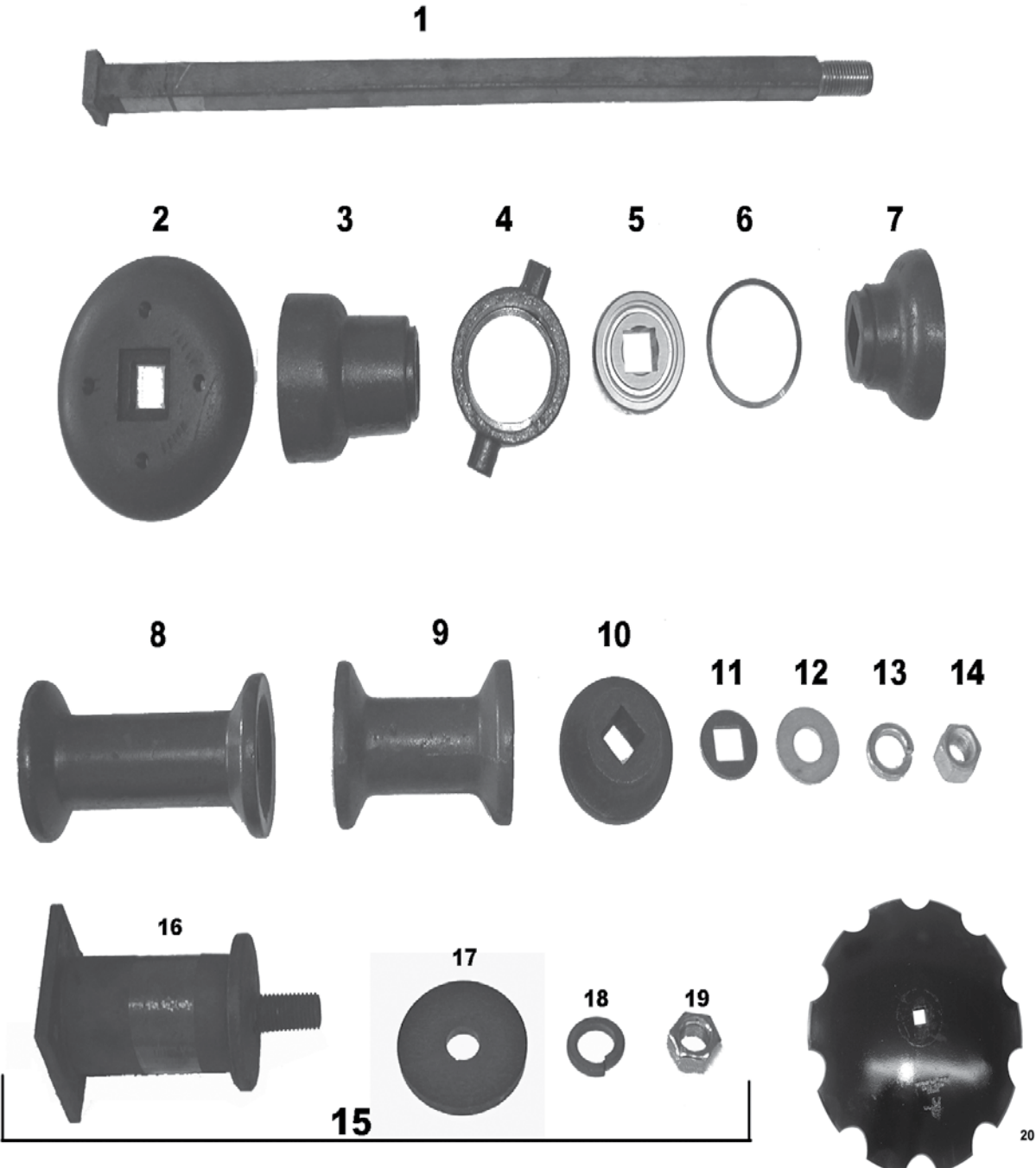
Ref. No.	Part No.	Qty Required	Description
26	234-1070	1	Double Clevis Drawbar Hitch - uses TC-126K pins
27	TC-126K	2	Cat II Lift Pin (TC-126) with Lynch Pin (TC-126A)
28	UT-207A	1	1" x 6" Hitch Pin (To Tractor)
29	234-1400	1	Hydraulic Hose Tender
30	HC512C32Z	2	Bolt, 3/4-10 X 2 HCS GR5
31	WUS34Z	4	USS Flat Washer 3/4" Zinc
32	LOC34Z	2	Lock Washer 3/4" Zinc
33	HN534CZ	2	Hex Nut 3/4"-10 Grade 5 Zinc
34	233-0360	2	Hydraulic Lift Cylinder
35	234-1020	1	Tongue - Pull Type Harrow
36	234-1030	2	Axle Retainer
37	HC512C56Z	8	Bolt, 3/4-10 X 3-1/2 HCS GR5 (4 Each Side)
38	WUS34Z	8	USS Flat Washer 3/4" Zinc
39	NNE34CZ	8	Nylon Lock Nut 3/4"-10 Zinc NC
40	234-2110	2	Axle Liner Capture

# Parts Listing



Ref. No.	Part No.	Qty Required	Description
41	225-0027	1	Safety Chain
not shown	255-0009	2	Square Washer, 1/2"
not shown	HC88C32S	1	Bolt, 1/2"-13 x X " Grade 8 Zinc
not shown	NSB50CZ	1	Sotver Lock Nut 1/2"-13 Grade 5 Zinc
18	234-1050	1	Axle-Lift Arm - Pull Type
19	MH-01	1	Manual Holder Tube
not shown	NNE516CZ	2	Nut, Nylon Lock 5/16" Zinc - for Manual Holder MH-01
not shown	CB5516C16Z	2	Bolt, 5/16" X 1" USS Carriage - for Manual Holder MH-01
20	234-0400	2	Oil Filled Nylon Bushing
21	234-2110	4	Axle Bushing Capture
22	234-1010	1	Leveling Adjustment Pivot 9-11 foot
23	DH-130	2	46" gang arm for BDHP-900 (front)
	DH-1158	2	58" gang arm for BDHP-1100 (front)
24	DH-132	2	54" gang arm for BDHP-900 (rear)
	DH-135	2	68" gang arm for BDH-1100 (rear)

# Replacement Parts



## Ordering replacement parts

Please contact the nearest Brown dealer for replacements parts. They will be able to meet most of your equipment needs.



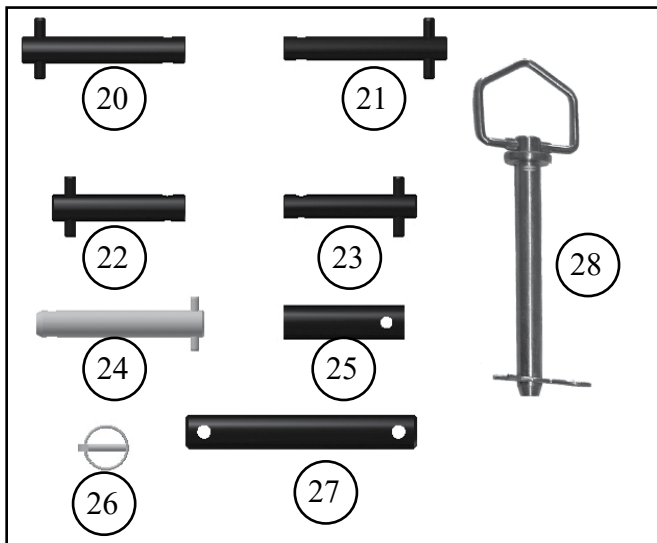
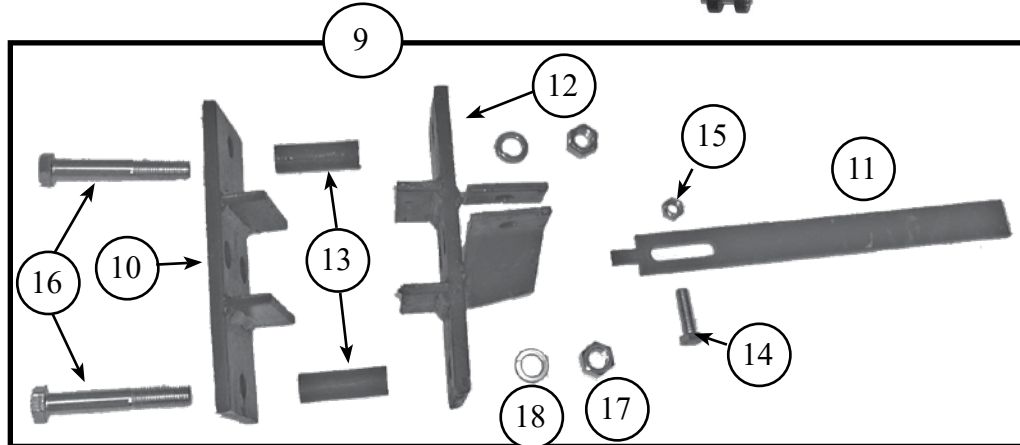
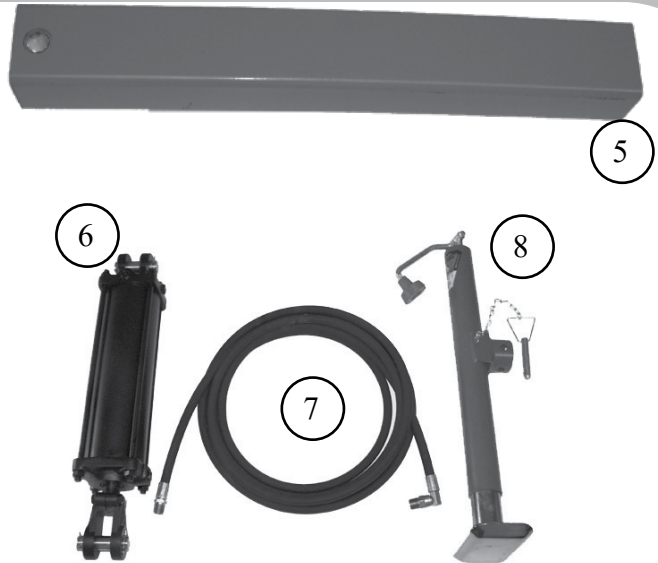
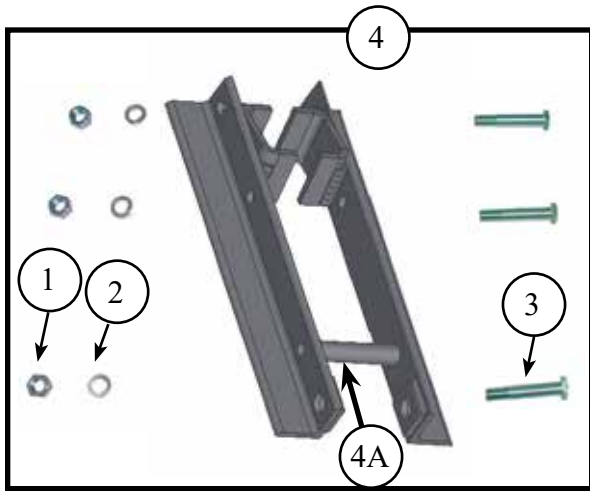
# Replacement Parts

Ref. No.	Part No.	Qty Required	Description
1	DH-100	4	57 1/2" Axle For BDHP-1100 with 7" or 9" spacing
	DH-96	2	44 1/2" Axle For BDHP-900 with 7" spacing - Rear
	DH-97	4	48 3/4" Axle For BDHP-900 with 9" spacing - Front and Rear <i>1 1/8" Dia. Axles, Less Nuts And Washers</i> <i>(Note: Axle Lengths Measured From Head To End.)</i>
2	DH-107A		Bumper Washer With Holes For Furrow Filler
3	DH-111		Long Bearing Spacer (4 1/2")
4	DH-113		Bearing Housing
5	DH-115		Ball Bearing
4,5,6	DH-115A		Ball Bearing Assembly
6	DH-117		Lock Ring
7	DH-112		Short Bearing Spacer (2 5/8")
8	DH-106		9" Spacer
9	DH-105		7" Spacer
10	DH-108		End Nut Washer
11	DH-204		Square Hole Washer
12	WUS118Z		1 1/8" Flat Washer
13	LOC118Z		1 1/8" Lock Washer
14	HN5118CZ		1 1/8" Standard Nut
15	DH-122A		Furrow Filler Adapter Assembly, comes w/ 4 HC58C24Z 1/2"-13 x 1 1/2" Bolts, Zinc and 1/2" Lock Washers, Zinc, (does not include disc blade)
16	DH-122		Furrow Filler Adapter
17	DH-123		Furrow Filler Washer
18	LOC1Z		1" Lock Washer
19	HN51CZ		1" Nut
20	DH-116-18	Variable	18" 7 Guage Disc Blade
	DH-116-20		20 " 7 Guage Disc Blade
	DH-116-22		22"7 Guage Disc Blade
Not Shown	DH-116-14	For Furrow Filler	14" Plain Disc Blade 1" Round Hole
	DH-116-16	DH-112A	16" Plain Disc Blade 1" Round Hole

## Ordering replacement parts

Please contact the nearest Brown dealer for replacements parts. They will be able to meet most of your equipment needs.

# Replacement Parts



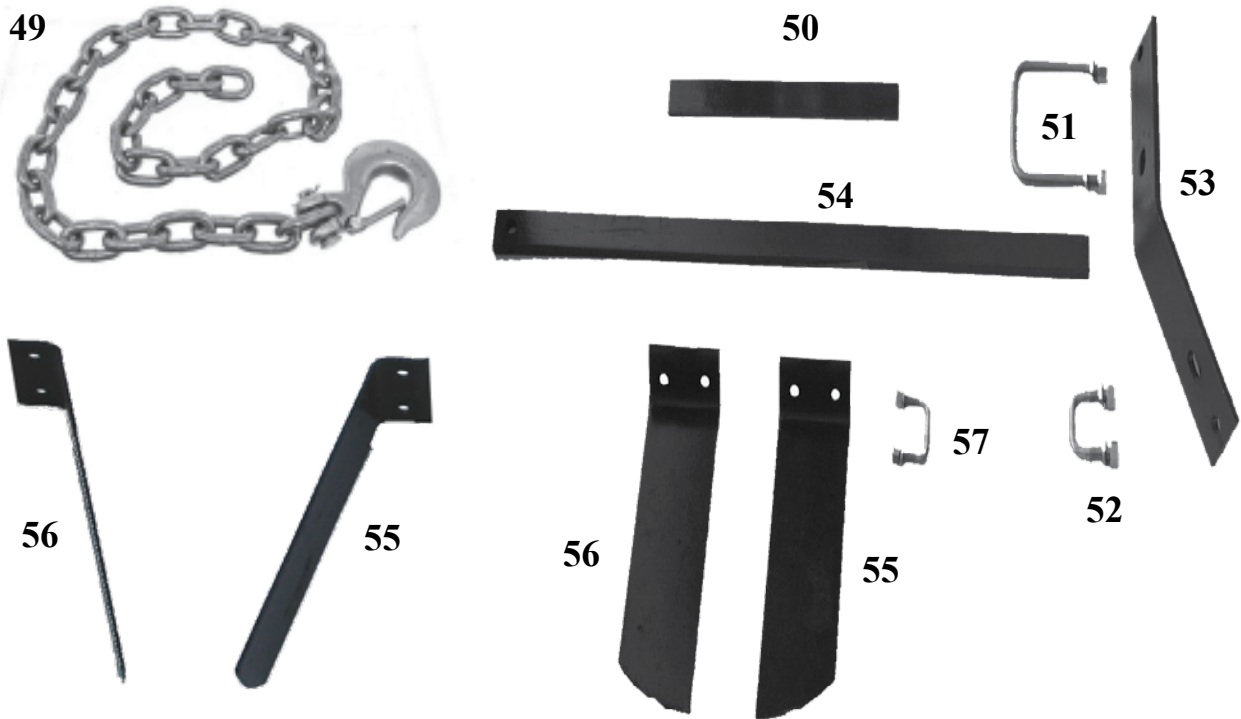
## Ordering replacement parts

Please contact the nearest Brown dealer for replacements parts. They will be able to meet most of your equipment needs.

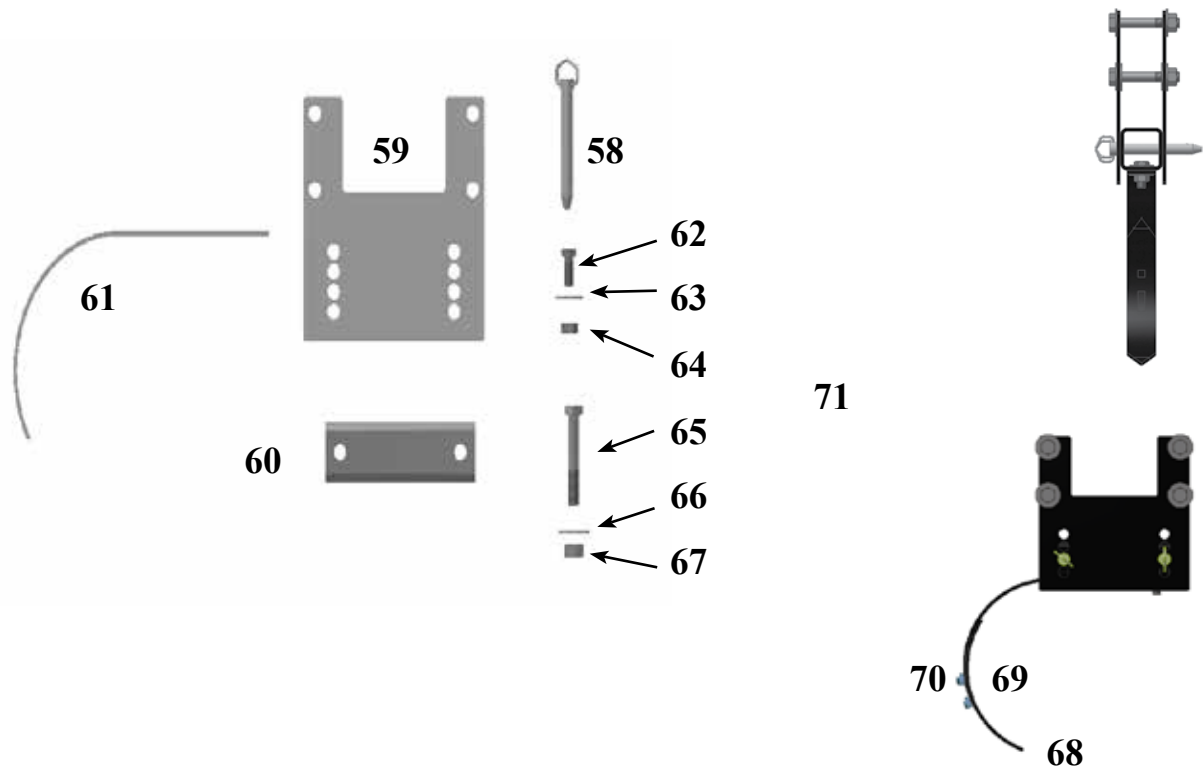
# Replacement Parts

Ref. No.	Part No.	Qty Required	Description
1	HN258CZ	3 per Hanger Assy	Nut, Hex 5/8" NC GR2 Zinc
2	LOC58Z	3 per Hanger Assy	Washer, Lock 5/8" Zinc
3	HC510C104Z	3 per Hanger Assy	Bolt, 5/8" X 6 1/2" NC GR5 For Bearing Hangers
4	DH-1254B	8	Bearing Hanger Assembly with fasteners.
4A	DH-1254A	1 per Hanger Assy	Bearing Hanger Spacer, (included w/ DH-1254B)
5	DH-132	2	54" gang arm for BDHP-900 (rear)
	DH-130	2	46" gang arm for BDHP-900 (front)
	DH-135	2	68" gang arm for BDHP-1100 (rear)
	DH-1158	2	58" gang arm for BDHP-1100 (front)
6	233-0360	2	Hydraulic Cylinder, 2" x 6"
7	234-6100	1	Hyd. Hose Kit for 9 & 11 foot BDHP Harrows 3000 PSI
8	225-0046	1	Jack, 15" 5000 lb. Round Pipe Mount Swivel
9	DH-153A	2	Gang Adjuster Assembly
10	DH-153	2	Gang Arm Pull Adjuster Bottom Plate
11	DH-154	2	Gang Arm Adjuster Lever
12	DH-155	2	Gang Arm Adjuster Top Plate
13	DH-156	4	Gang Arm Adjuster Bushing (2 required per gang)
14	HC58C28Z	1 Per Assembly	Bolt, 1/2" X 1-3/4" NC GR5
15	NSB50CZ	1 Per Assembly	Nut, Stover Lock 1/2" NC Zinc
16	HC512C88Z	2 Per Assembly	Bolt, 3/4" X 5 1/2" NC GR5 - Gang Adjuster
17	HN534CZ	2 Per Assembly	Nut, Hex 3/4" NC GR5 Zinc
18	LOC34Z	2 Per Assembly	Washer, Lock 3/4" Zinc
19	226-0225	2	Cylinder Stop for Transport
	255-3825	2	Snap Pin 3/8" x 2 1/2" Zinc
20	234-3115	1	1-1/8 x 6-3/4" Link Pin, Leveler Arm to Axle
21	234-3105	1	1 x 6-3/4" Link Pin, Tongue to Top Link
22	234-3110	2	1-1/8 x 5-1/2" Link Pin, Pivot to Leveling Bar
23	234-3100	1	1 x 5-1/2" Link Pin, Top Link to Pivot
24	TC-126K	2	Cat II Lift Pin, Hitch to Tongue
25	700-234-1895	2	1-7/16 x 5" Tongue to Frame Pin
26	TC-126A	3	7/16" Lynch Pin
27	700-234-2040	1	1 7/16" x 9 1/2" Pivot Shaft
28	UT-207	3	3/4" Gang Adjuster Pin

# Replacement Parts



See Page 16 for Assembly Instructions of Scrapers



**DH-191A Balk Breaker Assembly Parts Breakdown**

# Replacement Parts

Ref. No.	Part No.	Qty	Description
49	225-0027	1	Safety Chain
	255-0009	2	Square Washer 1/2" - .25x1.5x1.5 Round hole
	HC88C32Z	1	1/2"-13 x 2" Grade 8 Bolt
	NSB50CZ	1	Stover Lock Nut 1/2"-13 Grade 5 Zinc
50	DH-900-A6		Furrow filler extension
51	DH-197		U-Bolt (1/2" x 4" x 4")
52	DH-196		U-Bolt (1/2" x 1 1/2" x 1 3/4")
53	DH-198		Scraper Bar Bracket
54	DH-900-109 DH-185	var	48" Scraper Bar for 900 62" Scraper Bar for 1100
55	DH-188L	var	Scraper blade left
56	DH-188R	var	Scraper blade right
57	DH-195	var	U-bolt (3/8" x 1 1/2" x 1 1/2")
58	UT-207	2	Pull Pin 3/4 Inch
59	700-234-2090	2	Balk breaker mount bracket
60	700-234-3000	1	Balk breaker mount tube
61	DH-191	1	Balk breaker tine only
62	HC510C32Z	1	5/8" 11TPI X 2" Grade 5 Bolt
63	WUS58Z	1	5/8" USS Flat Washer, Zinc
64	NNE58CZ	1	Nylon Lock Nut 5/8" 11 TPI Zinc
65	HC512C72Z	4	3/4" 10TPI X 4 1/2" Grade 5 Bolt
66	WUS34Z	8	3/4" USS Flat Washer, Zinc
67	NNE34CZ	4	Nylon Lock Nut 3/4" 10 TPI Zinc
68	255-0750	1	Chisel Plow Point 11" x 2" x 5/16"
69	BPL6C20Z	2	Plow Bolt 3/8" - 16 TPI X 1 1/4 Zinc
70	NNE38CZ	2	Nylon Lock Nut 3/8" - 16 TPI Zinc
71	DH-191A	1	Balk Breaker Tine Complete Assembly, (Items 58 - 70)
			See Page 19 for blade scraper assembly part numbers.

## Notes

**Thank You for purchasing a Brown Disc Harrow.**

Pull Type Tandem Disc Harrow  
Version 1.2.0  
July 2022



6001 E. Hwy 27 - Ozark, AL 36360  
334.795.6603 - Fax: 334.795.3029

[www.brownmfgcorp.com](http://www.brownmfgcorp.com)