

FM Series Specifications

SPECIFICATIONS

FM-350

Tractor horsepower, maximum	250 HP (184 kw)
Tractor PTO	SDX-117 & RDX-117 1000 RPM only, SDX-102, RDX-102 & SDX-840 540 RPM or 1000 RPM
Lift capacity	5000 lbs (2268 kg)
Adjustability	Accommodates tractors between 151" (3.8 m) and 211" (5.35 m) measured from front mount plate to drawbar pin
Nominal ground clearance	13" (33 cm) 3" (7.6 cm) higher without drive train depending on tractor installation
Nominal lift range	18" (45.7cm)
Weight	1650 lbs (748kg) with drive train, 1250lbs (567kg) without drive train

SPECIFICATIONS

FM-115

Tractor horsepower, minimum	55 HP (41 kw) for SDX-840, 85 HP (63kw) for SDX-102, RDX-102
Tractor horsepower, maximum	115 HP (86 kw)
Tractor Hydraulic Requirement	3 remote circuits with a minimum total hydraulic output of 10 GPM at 1200 PSI. An additional circuit is required if the snow blower has a rotating drum.
Tractor PTO	540 RPM
Lift capacity	5000 lbs (2268 kg)
Adjustability	Fits tractors between 111.5" (2.8m) & 164.5" (4.2m) from front mount plate to drawbar pin
Nominal ground clearance	10" (25 cm) depending on tractor installation 3" (7.6 cm) higher without drive train depending on tractor installation
Nominal lift range	18" (45.7cm)
Weight	1400 lbs (636kg)



- Front Mount & PTO Power -
- FM-350 -



- Front Mount Mount & PTO Power -
- FM-115 -



- Draw Bar Mount With Optional
PTO Power -



- Draw Bar Mount Without
PTO Power -

SCHULTE®

FM Series Front Mount 3pt Hitch Frame



- FM-350 Shown -

Quick Attach Frame for Snow Blowers and SV Blades

Enjoy the convenience, comfort and improved performance of a front mounted snow blower.

No matter how much snow you need to move you will appreciate the FM-350 and FM-115. The Front Mount Frames give you the ability to mount your 3pt snow blower or SV Plow on the front of your tractor instead of on the tractor's rear 3pt hitch.

The FM-350 and FM-115 offer you better visibility and ergonomics when coupled with a Schulte Snow Blower. Blowing snow while driving forward, is more efficient than blowing snow in reverse. The FM-350 and FM-115 allow you an increased selection of travel speeds, as your tractor has many more forward gears than reverse gears. This increased gearing selection will result in better snow blowing performance and less wear and tear on the tractor clutch, and your neck.

SCHULTE

MEMBER OF THE
ALAMO GROUP
ALWAYS ON THE CUTTING EDGE.



ISO 9001

Sold By:

PRINTED IN CANADA

PREPARED by NELSON GRAPHIC DESIGN

201509

Schulte Industries Ltd.

P.O. Box 70, Englefeld, Saskatchewan, Canada S0K 1N0

Tel: (306) 287-3715 Fax: (306) 287-3355

E-Mail: info@schulte.ca

Visit our Web site at: www.schulte.ca

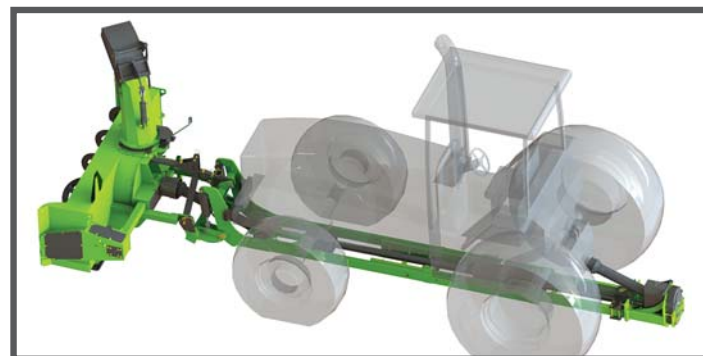
Schulte is a registered trademark of Alamo Group Inc.

Schulte Industries Ltd. reserves the right to change the design, specification of it's products without notice. Illustrations may include optional equipment and accessories, and may not include all standard equipment.

WORLD CLASS - BUILT TO LAST

Features

The Schulte FM-350 and FM-115 are designed for simple and quick tractor mounting and removal. Once mounted to the tractor all pushing force is transmitted to the snow blower through the tractor drawbar. Tension screws at the rear drawbar ensure that the tractor sees only vertical load at the frame mounting points.



The FM-350 and FM-115 are a perfect match for Schulte model SDX or RDX snow blowers and the SV-10, SV-12 and SV-14 Folding V Plows. The drive line is capable of transferring 250 HP to the snow blower. Parallel shaft gearboxes are available to power either 540 RPM snow blowers (for example, the Schulte SDX-102 & RDX-102) or 1000 RPM snow blowers (for example, the Schulte SDX-117 and RDX-117). The drive line is fully shielded to meet the latest safety standards. Once mounted to the tractor all pushing force is transmitted to the snow blower or Folding V Plow.



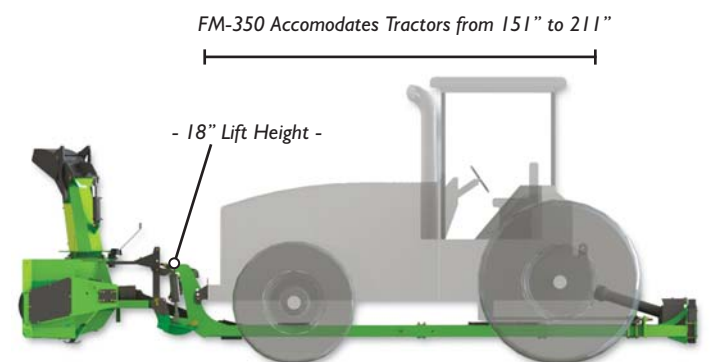
- Rear Hitch or Optional Drivetrain - FM-350 -



-- Rear Hitch or Optional Drivetrain - FM-115 -

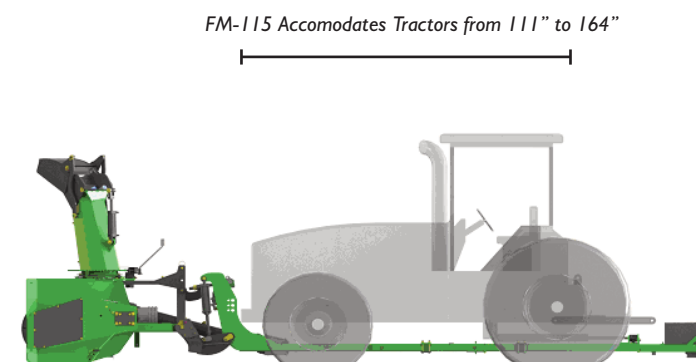
Simple attachment and removal from your tractor. A wide selection of proven tractor mounting brackets are available, for new, or older tractor models. A compact Category 2, 3PT lift mechanism ensures that the snow blower fits as close to the tractor as possible. A high degree of adjustability allows the frame to accommodate different sizes of tractor tires while still maintaining the best possible ground clearance. Telescoping frame sections and telescoping drive line components allow the FM-350 and FM-115 to fit tractors between 151 and 211" long, measured from the front mounting plate to the tractor drawbar pin.

Up to three banks of hydraulic lines can be routed to the front of the tractor to operate snow blower functions.



FM-350 Accommodates Tractors from 151" to 211"

- 18" Lift Height -



FM-115 Accommodates Tractors from 111" to 164"

FM Series



- FM-115 shown in combination with SV Blade and SDX-102 Snowblower -



- Front mount frames without drive train allow use of back 3pt hitch -



- FM-350 with Schulte SV Plow -



- FM-115 with Schulte Snow Blower -

Quality • Service • Value • Trust