

BIGBALER PLUS SERIES LARGE SQUARE BALERS

330 Plus | 340 Plus



Superior bale density and capacity from the leader in haytools.

**BIGBALER
PLUS**

New Holland's baling heritage started with the first self-tying pick-up baler in the 1940s. Today, we are still passionate about baling and we are proud to continue to offer some of the finest haytools on the planet. The evidence? A new full line of BigBaler Plus balers.



A history of modern baling by New Holland.

1987: Introduced D1000 large square balers with market-leading features such as the first 3x3 bale size, full bale eject functionality, and the revolutionary self-contained hydraulic density system. The first pre-compression chamber that could be adjusted for windrow volume made its debut on the D2000.

1995: The 590C Packer Cutter model provided a way to cut hay for higher animal intakes and easier mixing/feeding.

1999: Introduced a single-piece pull out knife drawer and paddles dedicated to measuring flake density on BB900 CropCutter™ models.

2004: To provide packaging options for every customer, the BB900A Series offered both four and six knotters. In addition, the IntelliView™ display set the benchmark for monitor technology.

Discover the Pluses

BigBaler Plus Series balers take baling to a new level of productivity and efficiency. New features lead to big advantages.

+ DENSITY

The bale chamber is 31.5" longer to create bales that are up to 10% denser than previous "non-Plus" models, and maintains more consistent bale density throughout the day. Higher bale density means fewer bales, helping you reduce your handling, storage, and transport costs.

+ PRODUCTIVITY

The extended bale chamber allows for softer bale drop for less risk of twine popping in the heat of the day. That means you can operate the knotter at closer to twine knot strength without twine breakage, so your perfectly shaped bales stay that way.

+ EFFICIENCY

Operate more efficiently thanks to more LED lighting as well as the IntelliCruise™ option for smooth baling automation. Larger service platforms make maintenance and cleaning quicker and easier too.

+ DURABILITY

A more rugged frame and chassis houses the new extended bale chamber and larger service platform. Plus, a new heavy-duty, high-wear rotor option is available to handle abrasive crops and demanding biomass operations.

Higher speeds and higher bale quality

BigBaler Plus balers create dense, well-shaped bales at speeds up to 110 bales/hour. Several features contribute to maximizing speed, including the MaxiSweep™ pickup and increased plunger strokes per minute. New Holland's industry-leading pre-compression chamber and the SmartFill™ flake formation indicators maintain bale shape.

The right model for your operation

The BigBaler Plus Series gives you the right package for outstanding performance in any crop. With a choice of crop processing models and standard models, both full and partial bale chamber ejection, and tire/axle combinations for any terrain, you can easily find the right model for your needs.

Model	Minimum Tractor Requirement	Bale Width	Bale Height	Maximum Bale Length
BigBaler 330 Plus	109 PTO hp	35.4"	31.5"	108"
BigBaler 330 Plus CropCutter™ Packer Cutter	116 PTO hp	35.4"	31.5"	108"
BigBaler 330 Plus CropCutter™ Rotor Cutter	136 PTO hp	35.4"	31.5"	108"
BigBaler 340 Plus	130 PTO hp	47.2"	35.4"	108"
BigBaler 340 Plus CropCutter™ Rotor Cutter	160 PTO hp	47.2"	35.4"	108"

2 0 1 1



2 0 1 2



2 0 1 4



2 0 1 5



2 0 1 7



2008: Introduced the IntelliView™ III touchscreen monitor and ActiveWeigh™ on-the-go bale weight system, the first in the industry.

2011: The CropID™ system allows producers to precisely track and manage bales and store crop data.

2012: MaxiSweep™ pickup and yield mapping functions earned New Holland the AE50 Outstanding Innovations Award by the ASABE.

2014: The BigBaler 230 creates a new size bale – 2' x 3' x 8' – for easier handling by dairy and livestock producers.

2015: CropRFV™ System allows producers to track Relative Feed Value on a bale-by-bale basis.

2016: Launch of the BigBaler 340 Plus with longer bale chamber and increased density.

2017: Introduction of a full line of BigBaler PLUS models.

Introducing the BigBaler Plus Series — the density king.

Create bales that are up to 10% more dense

Density is king when it comes to producing big bales. **New Holland's lineup of BigBaler Plus balers feature a bale chamber that is 31.5 inches longer to create bales with up to 10% higher bale density.** The longer bale chamber allows these balers to pack more crop into each bale for more efficient handling, storage and transport.

Gentler bale drop

The longer bale chamber also means bales exit the bale chute closer to the ground for more gentle bale drop and less concern about twine breakage.

More durable design

BigBaler Plus balers feature a more robust and durable chassis and frame structure that fully supports the added bale chamber length, and the axle is repositioned for smooth roading. A reinforced plunger design is more durable for longer plunger life. Additional plunger durability improvements include stronger plunger bearing bushings, hot rolled and thicker X-bridge, reinforcements between the X-bridge and the plunger, plus heavier hardware for the plunger cleaner plates.

A wider body increases the space between the side frame and twine box to reduce crop accumulation and allow for a larger maintenance platform.

Reinforced plunger design is more durable for up to 50% longer plunger life.



Factory Installed Option: Abrasion resistant rotor feeder (CropCutter™ models) provides high wear resistance when working in cornstalks and sugarcane trash.

The wide baler body includes a larger platform to allow for easier cleaning of the sides of baler.

Bale chamber is extended by 31.5 inches (or 31%), for up to 10% higher bale density. Bale all day long without popping twine in the heat of the day because of softer bale drop.

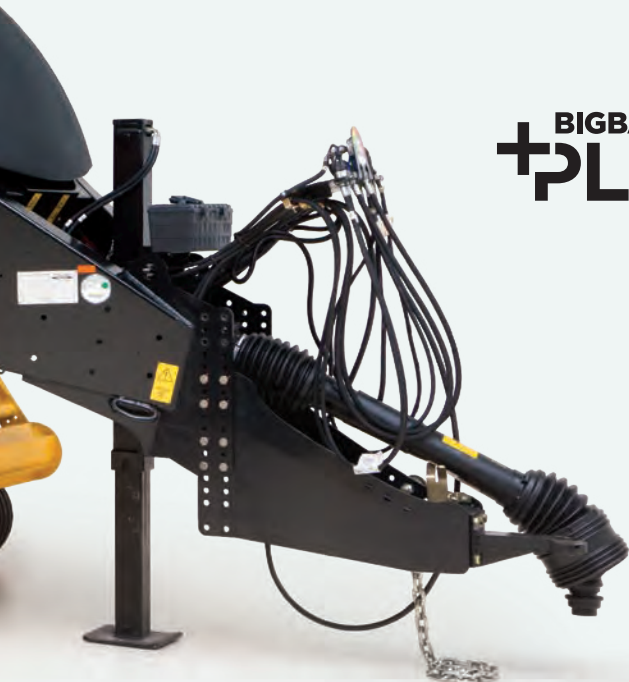
Top and side doors are equal in length for additional density and improved bale shape.



Large wheel steerable AutoSteer™ axle option with 22.5-inch flotation tires for low soil pressures and higher ground speed to take advantage of the increased capacity.

Partial and Full Bale-Eject™ systems feature an active teeth system for more durability and reliable bale ejection.

A ladder that accommodates accumulators, a wider service platform and extended foldable railing provides comfortable, safe access to service areas.



**BIGBALER
+PLUS**

- + Up to 10% higher bale density over compared to previous models
- + More consistent bale density through the day
- + Impressive bale shape
- + Higher productivity thanks to less risk of twine snapping
- + More gentle bale drop due to extended bale chamber, and allows for operation closer to twine knot strength without twine breakage
- + Better and easier maintenance access
- + A larger platform makes it more comfortable to clean off the baler at the end of a busy day
- + Increased operator efficiency with more LED illumination

Increase bale density and baling capacity.

With a 48 stroke-per-minute gearbox speed and superior MaxiSweep™ pickup, New Holland BigBaler Plus balers deliver high-density, well-shaped bales, and will help you substantially increase your baling capacity.



Color-coded hydraulics

All hydraulic lines are clearly marked with color-coded decals to simplify tractor hookup.

Standard biomass pre-charge chamber bands that improve crop flow in stalky, thick-stemmed biomass crops like cornstalks, sunflowers and miscanthus.

Strong monoframe

The single-piece BigBaler Plus frame is engineered for outstanding structural strength to enhance reliability and reduce vibration.

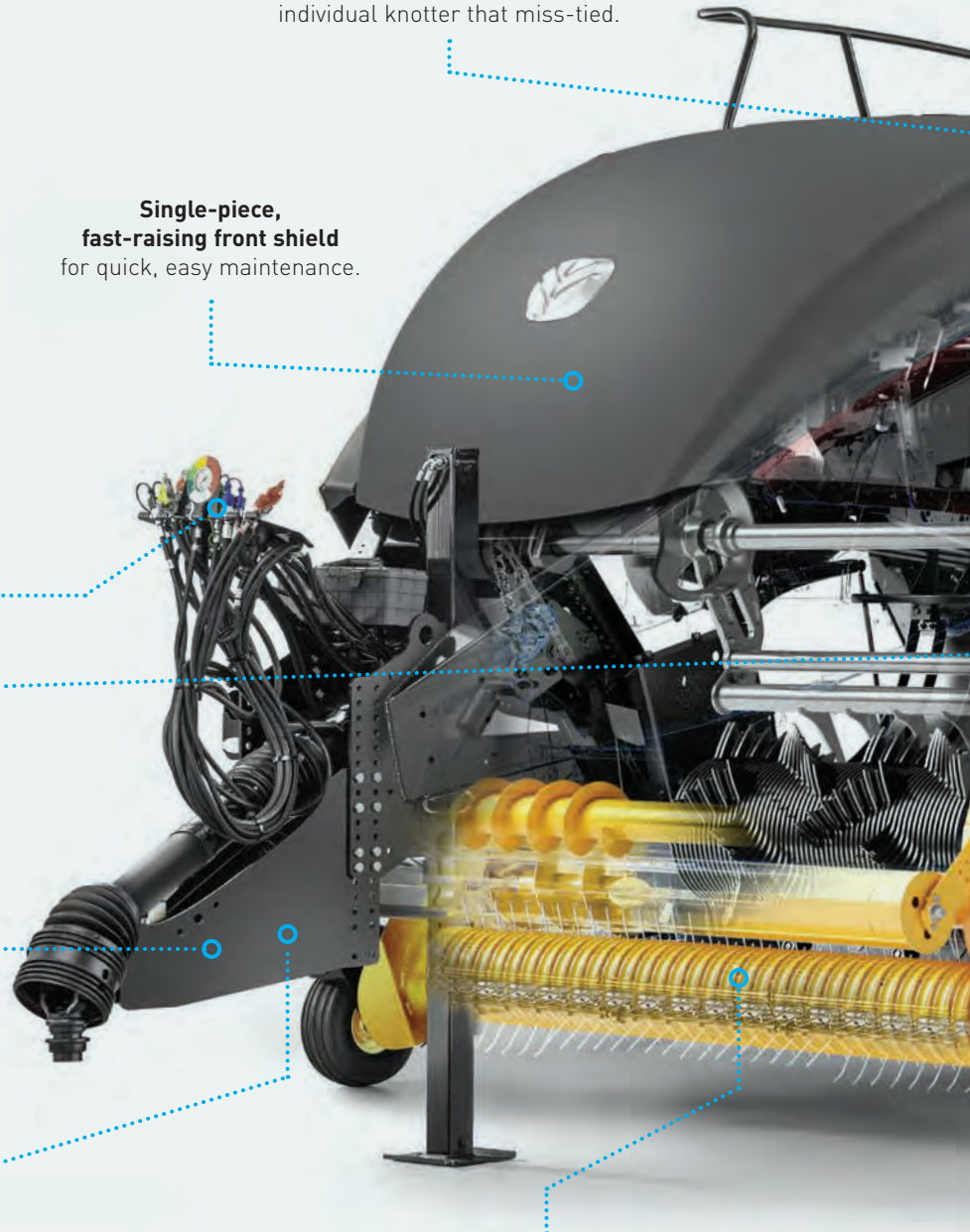
Factory fitted hydraulic jack.

Now you can choose between a mechanical or hydraulic jack for easier hookup.

Individual miss-tie sensors are standard equipment to identify the individual knotter that miss-tied.

Single-piece, fast-raising front shield for quick, easy maintenance.

MaxiSweep™ pickup delivers ultimate capacity using standard roller windguard, powered feed assist roller, and "S"-shaped side shields.



IntelliCruise™ option for ultimate bale flake uniformity and baling automation.

Modern knotter shield styling not only looks great, it's functional too, optimizing air flow to provide maximum knotter cleaning.

LED lights package with an optional rotary beacon is available to make you more visible when you're on the road.

Larger flywheel diameter increases inertia by up to 48%, reducing driveline stress when baling uneven swaths.



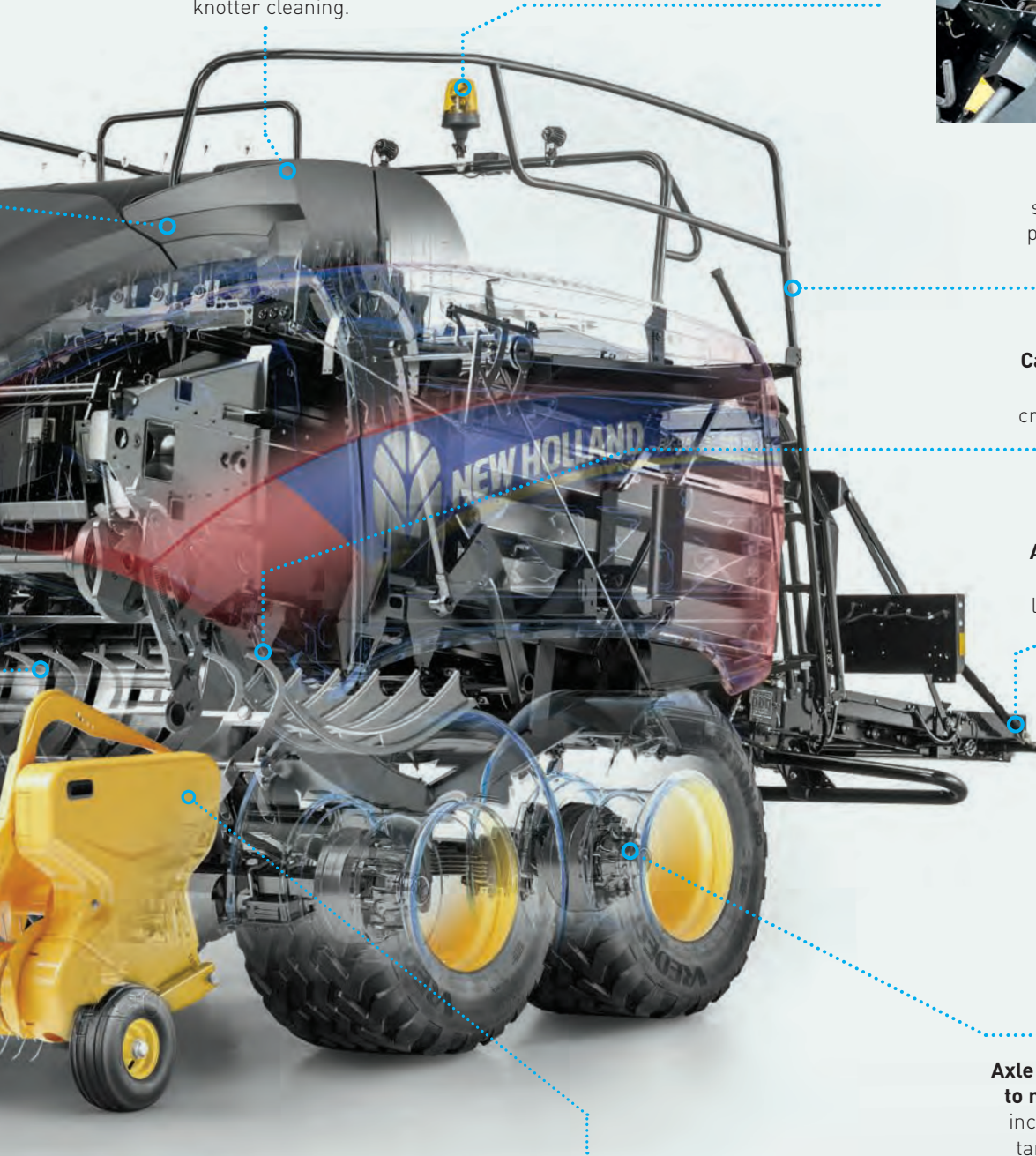
Folding safety railings simplify road transport and provide better access to the front of knotter fans.

Cast shuttle feeder is heavy duty to propel the heaviest crops into the bale chamber.

Industry-leading ActiveWeigh™ bale weight system boasts industry-leading accuracy of +/- 2%.

Axle and tire packages to match your terrain including AutoSteer™ tandem axle options.

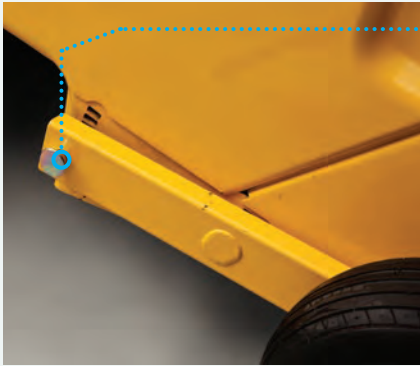
SmartFill™ technology guides operator driving to achieve perfectly shaped bales.



Clear fields at high speed.

Wide, fast and thorough

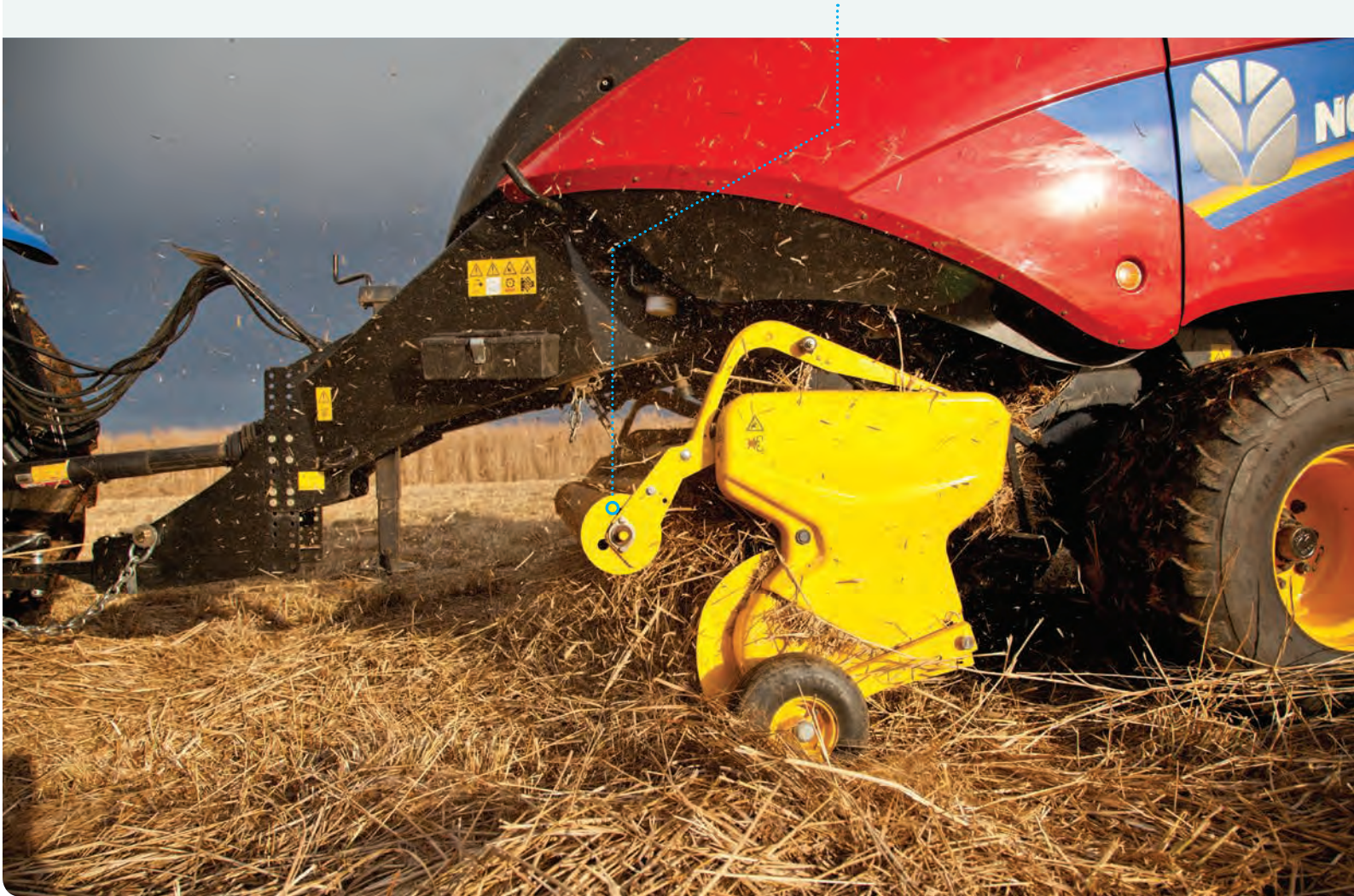
Swift performance is part of the MaxiSweep™ engineering design. The increased speed of the main drive gearbox leads to an increase in the speed and performance of the pickup, stuffer and plunger. Flare-to-flare width ranges from 77.5 inches on the BigBaler 330 Plus Standard to 92.6 inches on the BigBaler 340 Plus CropCutter™ model.



Simple gauge wheel adjustment uses a spring-loaded pin design. No tools required and nothing to get lost.

Pickup flotation adjustment is quick and does not require any tools. The spring-loaded suspension system maintains the pickup contact with the ground, reacting quickly to rough or uneven terrain to keep the tines in contact with crop for ultimate pickup efficiency.

Standard roller windguard rides the contour of the windrow on spring suspension to compress the windrow as it enters the pickup. This increases throughput and aids crop flow.

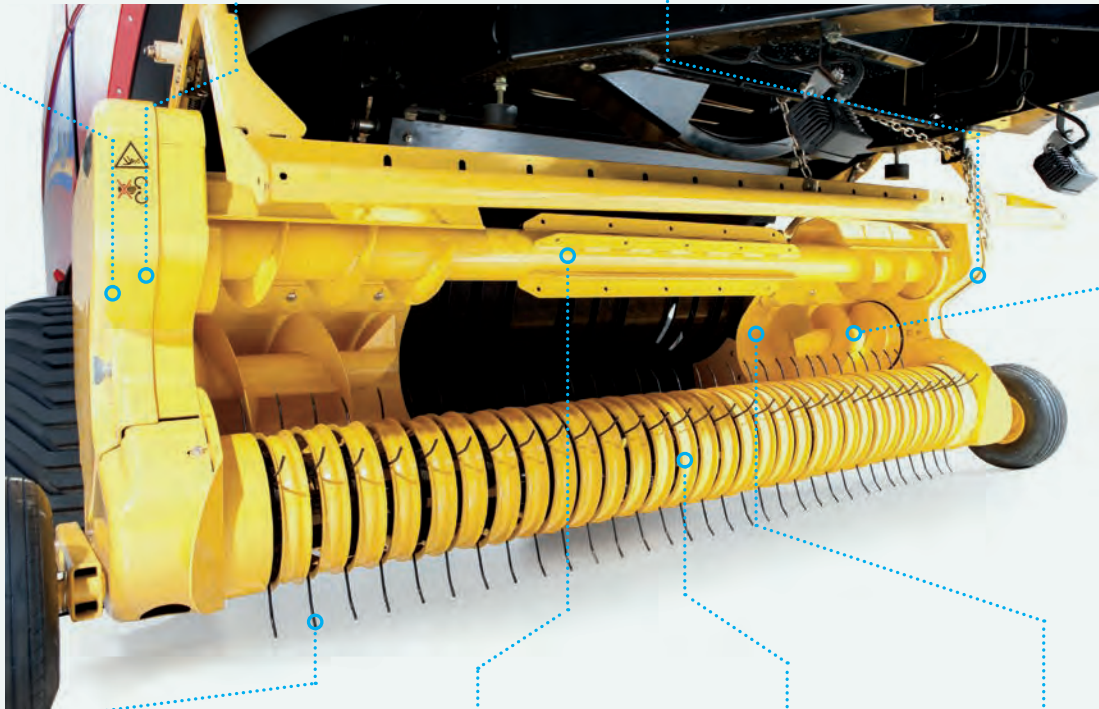


Double row bearings for all chain idler sprockets lead to longer bearing and sprocket life.

Rotor Cutter pickup chains feature heavy-duty construction with chrome pins.

“S”-shaped side shield design works to maintain crop flow into the augers, reducing the potential for missed crop. Material can even enter from the sides, which is especially important when picking up crop material at the edge of large windrows.

Pickup assist auger flights are stronger due to a 25% increase in material thickness.

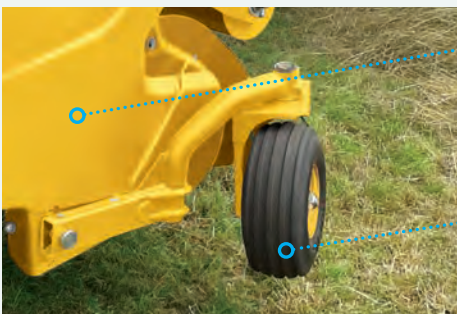


Longer and thicker pickup tines are more durable and effective. Standard tines are 5.5-mm thick on BigBaler 330 Plus Standard and Packer Cutter and 340 Plus Standard models, while tines on BigBaler 330 Plus and 340 Plus Rotor Cutter™ models are 6-mm thick.

Full-width feed assist roller is a standard BigBaler feature. In combination with the counter-rotating augers, it maintains constant and fast crop flow in the packer or rotor — a key component of continuous and high-capacity feeding.

Pickup guards are now 50% thicker and have a profiled ridge for increased durability.

Curved transition plates are included on Rotor Cutter models to assist crop flow (standard pickup shown).



Thicker frame and side sheets increase rigidity, needed during higher speeds, and when driving over pivot tracks and uneven terrain.

Pickup tine bars are common with self-propelled forage harvester pickups for additional durability.

Factory fitted castering gauge wheel option for following curvy windrows and allowing the pickup to follow the ground during turn-rows.

Heavy-duty turf tire option available from the factory.

Experience the benefits of processed bales.

Denser bales and better fermentation

Processed bales created with shorter particles allow for tighter packing of material in the bale and better fermentation in silage bales due to less air in the bale and more anaerobic bacteria activity. Cutting silage, hay or straw bales also allows for more efficient feeding and spreading of material. Combine these benefits with perfectly equal flakes created by the New Holland pre-compression system, and you'll find that distributing feed or bedding materials is faster and easier than ever. Choose from two New Holland CropCutter™ processing options – the high-performance Rotor Cutter feeding system or the more simple, economical Packer Cutter system.



Model	BigBaler 330 Plus	BigBaler 340 Plus
Packer Cutter	6 knives / 4.5 inches	—
Rotor Cutter, medium cut	9 knives / 3 inches	15 knives / 3 inches
Rotor Cutter, short cut	19 knives / 1.5 inches	29 knives / 1.5 inches

Rotor Cutter processing option

For the widest range of chop lengths, choose the Rotor Cutter system available on both the BigBaler 330 Plus and BigBaler 340 Plus. Select from two cut length configurations — the short cut configuration delivers chop length as small as 1.5 inches, while the medium cut configuration delivers a chop length of 3.0 inches.

Smooth action of the W-tine pattern rotor

The W-shaped rotor pattern assures an even spread of cutting force for smooth cutting action and ensures an equal distribution of crop. Additional benefits include smoother crop flow, increased flake density and capacity, and added durability thanks to its heavy-duty construction.



Factory-installed high wear resistant rotor

The high-wear Rotor Cutter system on BigBaler 330 Plus and 340 Plus models is designed to handle tough crops and extremely abrasive conditions, including cornstalks, sugarcane trash, etc. The more durable design provides up to four times longer rotor life and the standard side scraper removes crop buildup.

Fast knife access

The Rotor Cutter knife drawer slides out for fast knife inspection and sharpening. Sharper knives require less power and lead to a more consistent cut length.



Rotor stop kit

The optional rotor stop kit provides protection for your baler. In the event of a stuffer shear bolt failure, this kit utilizes the baler's hydraulic density system to stop the rotor and the entire pickup to prevent plugging.



Packer cutter processing option

The Packer Cutter, available on the BigBaler 330 Plus, uses three packer forks and six double tines to feed the crop through a set of serrated knives and into the pre-compression chamber. It allows for chop lengths as short as 4.5 inches. The packer slip clutch features a more durable design for long life and reliable performance. For convenience, you can engage and disengage the cutter function from the tractor seat. Unlike competitive designs using tines or rotor lobes of the same length, New Holland's staggered tine lengths/rotor lobes prevent the crop from pinching, which results in crop damage, accelerated baler wear and the need for increased tractor horsepower. A fill-flow floor improves crop flow in high-moisture conditions.



Hard-faced knife kit

This knife kit for Packer Cutter models (standard on Rotor Cutter units) has hard facing on the cutting edge to increase knife performance and longevity in abrasive crops. These knives typically last three times longer than standard knives.



Perfectly formed, dense bales.

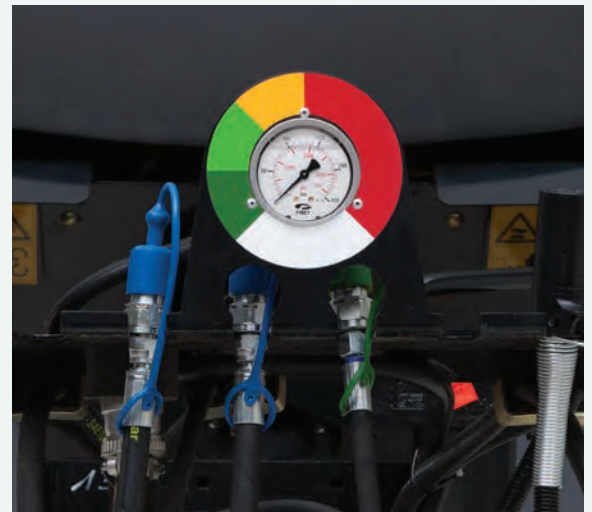
They come standard with BigBaler Plus balers. Whether you desire tightly packed silage bales with enhanced fermentation characteristics, straw bales for biomass operations, or you simply want bales that take up less space for easier storage or transport, density is at the heart of big baling excellence.

Density control—no matter what

Nearly 30 years ago, New Holland pioneered the first self-contained hydraulic bale density system. Today's three-sided density control system uses sensor readings from completed bales with continual monitoring of plunger load. If a change is detected, the system automatically adjusts hydraulic pressure on the side doors and top chamber rail to restore uniform density. A proportional valve with an increased over-pressure setting ensures stable density regulation when operating at max pressure. In the event of an electronics failure, you can still adjust and monitor density with a convenient pressure gauge on the baler tongue. Some competitors don't have this feature and cannot adapt to changing conditions if baler electronics fail.

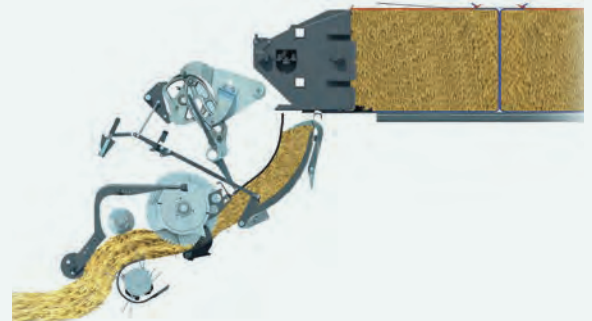
Headland detection helps maintain density

New Holland has improved automatic density control by adding headland detection. When the system detects five consecutive inactive plunger strokes, headland mode engages to reduce density fluctuation and eliminate a load drop after a headland for more stable bale density.



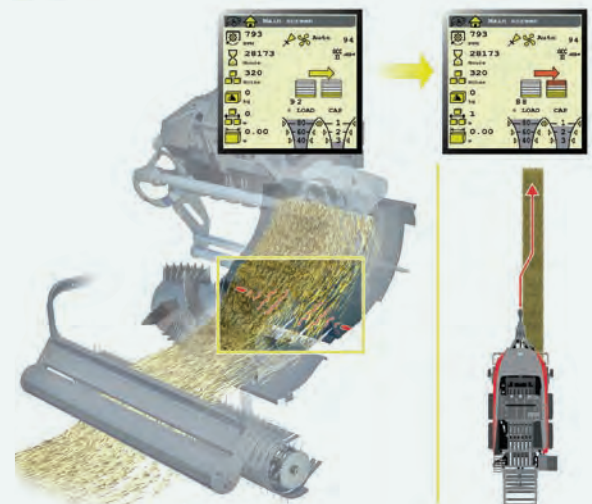
Industry-leading pre-compression technology

1. Strong, hook-shaped crop holding fingers retain crop until desired density is achieved.
2. Paddles at the bottom of the chamber trip at pre-set density to start stuffer motion.
3. The heavy-duty cast shuttle feeder moves the crop in to the chamber. This action is fine-tuned so the stuffer speeds up as it pushes flakes into the chamber. The result is filled corners for perfect, square bales in any crop.



Perfect flakes make perfect bales

The **SmartFill™** sensing system uses sensors located at the opening of the pre-charge chamber to give the operator real-time feedback on the incoming crop flow. If the sensors detect uneven flow, an arrow appears on the monitor to inform the operator to steer either right or left.





Patented "C"-shaped cast shuttle design

The stronger shuttle handles the increased feeder speeds for more capacity. While competitive designs have welded stress points, New Holland uses a more durable, three-point pivoting design that provides a mechanical advantage for smooth operation.



Removable fill-flow floor

You can remove the standard pre-compression chamber floor in Rotor Cutter models (optional in Standard and Packer Cutter models) to increase performance in dry hay or bedding crops. Top and side liners are also available for the CropCutter™ models.



Higher plunger speed equals maximum capacity

The heavy-duty plunger has been reinforced for a 50% longer lifetime. It hammers out dense, uniform bales with 48 strokes per minute. Combined with the constant monitoring of the proven three-way density system, the resulting bales withstand extended storage and intensive handling.



Transmitting power for perfection

The triple-reduction gearbox technology maximizes clutch/driveline life and is easier on the tractor. The flywheel increases energy by 48% to reduce stress on both the tractor and baler drivelines.



15,000 bales without a miss-tie.

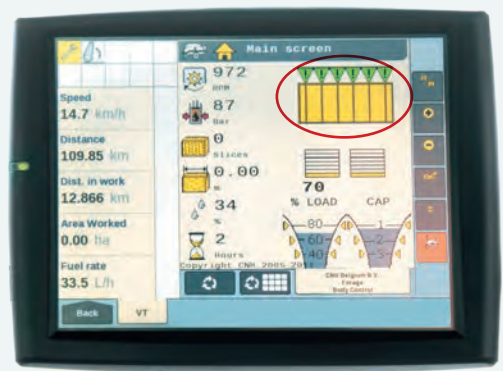
New Holland continually improves its industry-leading technology with changes to the air flow and shielding that keep the knotters free of debris for worry-free tying. In addition, we don't paint our knotters, ensuring BigBalers tie flawlessly.

The double tie knotter advantage

In one fluid motion, the needles deliver the twine to complete the finished bale and tie the first knot for the new bale on the return stroke. No other system is proven to be more reliable than the double knotters on BigBalers. Two twine feed positions mean that the twine is not held in the knotter frame to slide over the bale surface while the bale is being built.

Immediate tie alert

When a bale is tied correctly, the monitor alerts the operator with an alarm and shows the symbol circled below. In the event of a miss-tie, individual miss-tie sensors identify the knotter that miss-tied on the monitor. BigBaler Plus balers also come equipped with traditional flags on each knotter to give a visual warning.



More twine for more time

A 32-ball twine capacity means you can work longer before a refill is needed. The boxes are now sealed between the service deck and top of the shield to eliminate twine box debris buildup.



Enhanced air flow for better productivity

The redesigned knottter shielding keeps knotters free from debris. New Holland used advanced fluid dynamics to analyze air flow and eliminate “dead” spots of air that could lead to debris build up. The result keeps BigBalers tying flawlessly in the dustiest crops. Three fans are standard on BigBaler 340 Plus models and two fans on the BigBaler 330 Plus. A new optional air compressor kit is available for working in the harshest conditions such as corn fodder or dry rotary straw.



Widest range of chute options.

Gentle handling choices

The single-piece bale chute uses rollers that allow bales to glide effortlessly out of the bale chamber to the ground. Order your BigBaler Plus with the deluxe, industry-exclusive, soft-drop, two-piece roller bale chute and you can pack more in every bale and push twine strength to the limit. Soft-drop chutes feature a tilt-table design to handle bales more gently for fewer broken strings.

Active bale ejection system

When a bale is ejected, 10 bale eject teeth actively insert into the bale for complete bale removal.



Full bale eject with teeth up



Partial bale eject with teeth up



Partial Bale-Eject™ system

New Holland's Partial Bale-Eject™ system allows you to eject the last full tied bale in the chamber without affecting the untied bale in front of it.

Full Bale Eject™ system

Use the Full Bale-Eject™ system to trip the knotter, tying off the last partial bale and activating the correct hydraulic lever to quickly clean out the chamber at the end of the season.





Reduce trips through the field with an Accumulator

Accumulators group bales into a package that is easy to handle, allowing you to reduce passes over the field and save fuel. The New Holland accumulator handles haylage, straw, and dry bales ranging from 4.5 to 9.0 feet long. Four optional automatic dump patterns allow you to arrange bales together for a package that fits your handling needs. You can eject bales in groups of two, three or four, or you can manually eject single bales. You control the accumulator using the IntelliView™ III or IntelliView™ IV monitor.

Accumulator model	AC3104	AC4104
Compatible Balers	BigBaler 330 Plus Standard, Packer Cutter, & Rotor Cutter	BigBaler 340 Plus Standard & Rotor Cutter
Capacity	3 Bales	3 Bales
Bale Size	32.5" wide bales	48" wide bales
Eject	Manual or Auto	Manual or Auto
Width	116"	162"
Length	110"	110"
Height*	32"	32"
Weight	2,200 lbs.	2,800 lbs.
Hydraulic Requirement	10 gpm continuous pressure	10 gpm continuous pressure
Silage Bales	Yes	Yes

*with 26 x 12 x 12 tires

Accumulator model	VS1202
Capacity	2 or 3 Bale Stack
Bale Size	48" wide bales
Eject	Auto
Width	117"
Length	144"
Height*	122"
Weight	(approximately) 3,900 lbs.
Hydraulic Requirement	14 gpm @ 2,500 psi,



Float across the field, cruise down the road.

Ultimate maneuverability

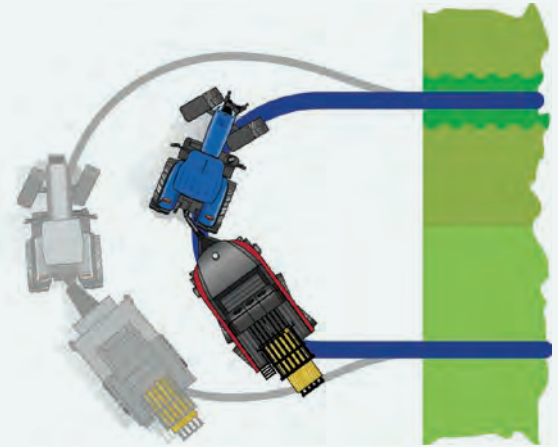
The slim BigBaler Plus hitch design saves you time and fuel on every headland turn. The sculpted body, which curves away from the hitch, and the pivoting of the PTO allow for tight turning. The addition of optional AutoSteer™ tandem axles can enhance the turning of the baler and limit soil disturbance.

Convenient transport

The bale chute folds to reduce the overall length of the baler to 24.3 feet for convenient travel on winding roads and parking in tight storage areas. In addition, hydraulic and pneumatic braking options are available to offer powerful stopping performance even at top transport speed.

Choose the axle and tire package for your terrain

Choose from single axle, standard steerable AutoSteer™ tandem axle, or large-wheel steerable AutoSteer™ tandem axle. The single sprung tandem axles provide better articulation over contours and during headland turns to limit soil damage, while the premium AutoSteer tandem axle also helps smooth the ride over rough terrain and during road transport.



True day and night visibility.

Baling can be a round-the-clock activity. That's why 360-degree LED lighting on your BigBaler Plus turns night into day so you can maintain your productivity at any hour.



A portable light is also standard equipment so you can shed light exactly where you need it.



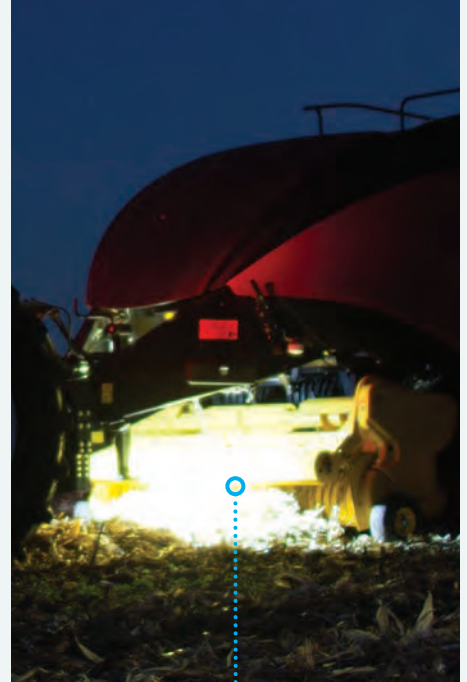
Two optional knotter lights and an adjustable needle light allow for inspection of the tying process.



LED lights are standard equipment to provide brighter illumination at the pickup, right- and left-hand stuffer, knotter, needle, and twine boxes.



Two rear working lights allow you to keep an eye on bale drop or accumulator function.



Two bright optional LED pickup lights give you a clear view of crop flow

Simple baler management at your fingertips.

Managing your BigBaler Plus has never been easier. You control key operating functions while on the move with your choice of color touchscreen monitor—the seven-inch IntelliView™ III or the 10.5-inch IntelliView™ IV.

The IntelliView™ advantage

- Plunger load is displayed as an easy-to-read percentage for immediate feedback while baling.
- Capacity is displayed as a ratio of stuffer to plunger strokes. Operators should try to maintain a 1:1 plunger to stuffer ratio to maximize throughput.
- Simply touch the + or – symbols on the right-hand menu to adjust density control.

360° visual field

Pair your IntelliView™ III monitor with a camera to view bale delivery and accumulator activity in real time. Upgrade to the larger IntelliView IV for full screen or split-screen viewing.

Tip: Add a second camera to monitor other baler functions.



Master your data

IntelliView™ monitors with New Holland Precision Land Management™ equipment allow you to track and save data such as:

- Individual bale weight and moisture
- Yield monitoring
- GPS drop points



Remotely manage your machines

PLM® Connect enables you to monitor your BigBaler and other machinery from anywhere with an Internet connection. Its wireless transfer feature allows simple, secure transfer of data to and from your fleet, giving you quick and easy access to your data.

PLM *CONNECT*

Innovative customizations.

Use these add-ons to enhance your precision baling experience:

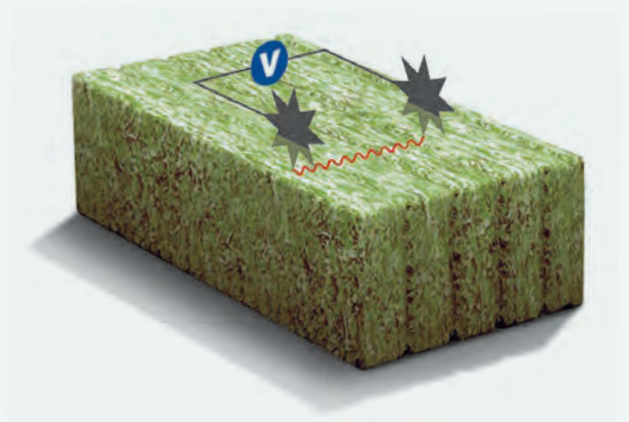
Crop RFV™ System

During baling, the Crop RFV system measures the weight of the bale and moisture content based on the leaf-to-stem ratio to calculate your Relative Feed Value (RFV), the nutritional value of the bale. Pair the CropID™ system or a dye marker kit to easily identify bales within a specific RFV range, making feeding even easier.



How it works

The BigBaler Plus moisture sensor uses two star wheels to penetrate the bale, and passes an electric current between them to measure the moisture of the bale. The system will alert the operator if moisture is found to be too high.



CropID™ Tracking System

The optional CropID™ system gives you the convenience of storing valuable data with the bale. The system applies an easy-to-scan radio frequency identification (RFID) tag to each bale, allowing you to retrieve data directly from the bale.



CropSaver™ Hay Preservative

Treating hay with CropSaver™ preservative allows you to bale at up to 30% moisture without worry of heating or mold damage, giving you more flexibility. CropSaver also helps to maintain both the fresh smell and green color of your hay, even after it's stored. Choose an electronic applicator control system to set and maintain a constant application rate, or select the optional automatic control system that measures moisture on the go and adjusts the application of preservative every three seconds to match the condition of the hay.



Maximize baling productivity with IntelliCruise™.

Match tractor speed to crop load

The IntelliCruise™ feed rate control system uses ISOBUS technology to automatically match your tractor's forward speed to crop load, maintaining a constant feed rate while baling. IntelliCruise is available on BigBaler 330 Plus and 340 Plus Rotor Cutter models with electronic bale length control, and requires a T7 AutoCommand™ CVT tractor. ISOBUS Class III tractor and baler unlock codes are also required.

What is ISOBUS?

ISOBUS is the universal protocol for electronic communication between tractors, implements, and computers. Its purpose is to create common communication between tractors and implements, regardless of brand.



Using the IntelliCruise system results in:

- Dramatically reduced operator fatigue since fewer operator interventions are needed
- Up to 9% higher capacity and productivity compared to an inexperienced or fatigued operator
- Up to 4% fuel savings to reduce production costs

Two operational modes:

Charge Control Mode (BigBaler 330 Plus and 340 Plus Rotor Cutter models only) adjusts the tractor speed automatically to meet optimum capacity. The system measures the throughput of crop yield fed into the pre-charge chamber, and the time needed to fill the chamber.

Slice Control Mode (all BigBaler Plus models) adjusts the tractor speed according to bale slice thickness. The system creates the number of slices defined by the operator (with corresponding slice thickness based on pre-set bale length).



ISOBUS baling with factory-supplied IntelliView™ III or IV monitor

Compatible with: ISOBUS EQUIPPED TRACTORS WITH INTELLIVIEW™ III OR IV MONITORS
Available for: BIGBALER 330 Plus and 340 Plus

Customers with ISOBUS II or III-equipped New Holland tractors and an IntelliView III or IV monitor can simply “plug and play.” This eliminates the need to install wires or an additional monitor inside the tractor cab.

ISOBUS III BigBaler without monitor

Compatible with: NON-ISOBUS EQUIPPED TRACTORS WITHOUT ISOBUS MONITORS
Available for: BIGBALER 330 Plus and 340 Plus

For those who desire the latest technology, but have older, non-ISOBUS-equipped tractors, or a mixture of both, this option allows you to choose a baler with ISOBUS compatibility.

INTELLIVIEW™ III



INTELLIVIEW™ IV



Customize your BigBaler Plus.

Biomass configuration (available on all Standard and Packer Cutter balers)

Biomass baling is a growing business, and New Holland has responded to that requirement with a specific biomass configuration that's reinforced to withstand the intensive biomass baling schedule. From heavy-duty rotors to an improved pre-charge chamber which can deal with stalky crops in its stride, the biomass BigBaler Plus is ready to help you power the new biomass energy revolution.

The biomass configuration features factory-fitted split upper pre-charge chamber guards for improved crop flow in cornstalks and other biomass crops. This option also includes factory-fitted needle slot baffles that prevent crop from getting into the twine discs. (Standard and Packer Cutter Baler Option Only.)



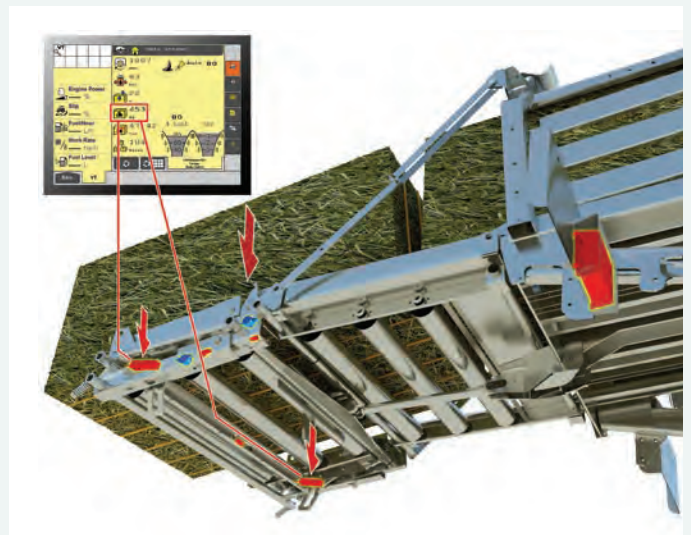
Electronic bale length control

New Holland offers a bale length control option for the highest level of precision. The star wheel is still used to track length, but it is made to measure the actual length of the bale and trigger the knotters at exactly the right time to deliver perfect bales. Length is set in the IntelliView monitor and it gives you the capability to trip the knotters from the cab. Maximum bale length with this option installed is 118".



Optional on-the-go bale weighing

The ActiveWeigh™ bale weighing system delivers industry-leading accuracy of +/- 2%. It is integrated with the soft-drop two-piece roller bale chute and measures the weight of the bale at the exact moment it balances on the rear of the roller chute prior to tipping off onto the ground. New Holland's patented sensing system is independent of field/slope conditions, bale length and baler movement. Single bale weight, average weight, tons/hour and total tons produced are all displayed on the IntelliView™ monitor.



Designed for easy daily maintenance.

Our simple, fast service means your BigBaler Plus is in the field more than in the shop.

Single-piece front shield glides open easily on gas struts. The shield opens partially for fast access to all service points, and fully for complete access to all areas for cleaning.

Safety tip: the flywheel brake must be engaged in order to open the hood.

Flat service deck allows for fast and safe maintenance.



Optional comfort pack includes a service deck hand rail, a large toolbox, and 2.5-gallon water tank for hand washing.



Manual density mode ensures non-stop baling, if electronics fail.



Dustproof twine box stores up to **32 twine balls** for non-stop baling.

The foldable, magnetic-locking ladder guarantees safe access to the flat service deck.

Dustproof side shields also flip open fully and easily.

Automatic oiling and greasing

The standard automatic oiling and centralized greasing system delivers the right amount of grease to all key areas of the BigBaler Plus — reducing maintenance for increased reliability.



Models	BigBaler 330 Plus		BigBaler 330 Plus	BigBaler 330 Plus
	Type	Standard	Packer Cutter	Crop Cutter™
Bale dimensions				
Width	in. (mm)	31.5 (800)	31.5 (800)	31.5 (800)
Height	in. (mm)	35.4 (900)	35.4 (900)	35.4 (900)
Maximum length	in. (mm)	108 (3000)	108 (3000)	108 (3000)
Tractor requirements				
Minimum PTO power	hp	109	116	136
PTO speed	rpm	1000	1000	1000
Hydraulic remotes				
Single axle		2	3	3
Tandem Axle		2	3	3
Main drive				
Protection		Shearbolt, overrunning clutch and slip clutch		
Flywheel weight	lbs. (kg)	538 (244)	538 (244)	538 (244)
MaxiSweep™ pick-up				
Width-flare to flare	in. (mm)	77.5 (1968)	77.5 (1968)	77.5 (1968)
Width-tine to tine	in. (mm)	70.2 (1782)	70.2 (1782)	70.9 (1800)
Flotation		Adjustable spring	Adjustable spring	Adjustable spring
Hydraulic pick-up lift		●	●	●
Gauge wheels 15 X 6.00-6-4ply		2	2	2
Pick-up protection		Slip clutch	Slip clutch	Slip clutch
Torque Setting	ft. lbs. (Nm)	1069 (1450)	1069 (1450)	1475 (2000)
Rotor cutter pickup cut out clutch	ft. lbs. (Nm)	—	—	0 -1549 (2100)
High performance rotor stop		—	—	○
CropCutter™ system				
Abrasion resistant knife options		—	6	9 or 19
Knife distance	in. (mm)	—	4.5 (114)	3.1 (78) or 1.5 (39)
Knife removal		—	From the front	Sliding knife drawer
Knife activation, in - out		—	Hydraulic	Hydraulic
Knife protection		—	Individual springs	Individual springs
Feeding system				
Feeder		2 packer forks 6 single tines	3 packer forks 6 double tines	Rotor Width 31.5 in./800 mm "W" lube configuration
Feeder protection		Slip clutch	Slip clutch	Cut-out clutch
Stuffer		Fork type with 4 tines	Fork type with 6 tines	Fork type with 4 tines
Stuffer protection		Shearbolt	Shearbolt	Shearbolt
Pre-compression chamber, volume	ft.3 (m3)	8.8 (0.25)	8.8 (0.25)	8.8 (0.25)
Plunger				
Speed	strokes/min	48	48	48
Length of stroke	in. (mm)	28 (710)	28 (710)	28 (710)
Tying system				
Type		Double knot type	Double knot type	Double knot type
Number of twines		4	4	4
Knotter fan type		Electric	Electric	Electric
Knotter fan number		2	2	2
Knotter function alert		IntelliView™ monitor and visual	IntelliView™ monitor and visual	IntelliView™ monitor and visual
Knotter lubrication		Automatic greasing	Automatic greasing	Automatic greasing
Twine ball capacity		32	32	32
Bale density system				
Proportional 3-way control		IntelliView™ monitor controlled	IntelliView™ monitor controlled	IntelliView™ monitor controlled
Manual override		●	●	●
Electronic control system				
ISO 11783 connection ready		●	●	●
IntelliView™ III touch screen color monitor		○	○	○
IntelliView™ IV touch screen color monitor		○	○	○
Tires				
Single axle		600/55X22.5 12 PR or 700/40X22.5 16 PR	600/55X22.5 12 PR or 700/40X22.5 16 PR	600/55X22.5 12 PR or 700/40X22.5 16 PR
Tandem axle with Auto-Steer™		500/50X17 14 PR	500/50X17 14 PR	500/50X17 14 PR
Large wheeled tandem axle with Auto-Steer™		550/45XR22.5 620/50XR22.5 (rotor only)	550/45XR22.5	550/45XR22.5 or 620/50XR22.5 (rotor only)
Baler dimensions				
Length chute closed (single piece)	in. (mm)	294.4 (7477)	294.4 (7477)	296.6 (7533)
Width (single axle 600/55X22.5 12PR tires)	in. (mm)	101.1 (2568)	101.1 (2568)	101.1 (2568)
Width (single axle 700/40XR22.5 16 PR tires)	in. (mm)	102.5 (2604)	102.5 (2604)	102.5 (2604)
Width (tandem axle 500/50X17 14PR tires)	in. (mm)	94.4 (2398)	94.4 (2398)	94.4 (2398)
Width (large wheeled tandem axle 550/45XR22.5 tires)	in. (mm)	98.1 (2492)	98.1 (2492)	98.1 (2492)
Width (large wheeled tandem axle 620/50XR22.5 tires)	in. (mm)	—	—	100.9 (2562)
Height (single axle)	in. (mm)	123.3 (3133)	123.3 (3133)	126.9 (3223)
Height (tandem axle)	in. (mm)	123.3 (3133)	123.3 (3133)	126.9 (3223)

● Standard ○ Optional – Not available

BigBaler 340 Plus	BigBaler 340 Plus
Standard	Crop Cutter™
47.2 (1200)	47.2 (1200)
35.4 (900)	35.4 (900)
108 (3000)	108 (3000)
130	160
1000	1000
2	3
2	3
Shearbolt, overrunning clutch and slip clutch	
584 (265)	584 (265)
87.9 (2232)	92.6 (2352)
80.6 (2046)	86.6 (2200)
Adjustable spring	Adjustable spring
●	●
2	2
Slip clutch	Slip clutch
1069 (1450)	1475 (2000)
—	0 – 1549 (2100)
—	○
—	15 or 29
—	3.1 (78) or 1.5 (39)
—	Sliding knife drawer
—	Hydraulic
—	Individual springs
3 packer forks 9 single tines	Rotor Width 47.2 in./1200 mm "W" tine configuration Cut-out clutch
Slip clutch	Fork type with 6 tines
Fork type with 6 tines	Shearbolt
Shearbolt	10.6 (0.3)
10.6 (0.3)	
48	48
28 (710)	28 (710)
Double knot type	Double knot type
6	6
Electric	Electric
3	3
IntelliView™ monitor and visual	IntelliView™ monitor and visual
Automatic greasing	Automatic greasing
32	32
IntelliView™ monitor controlled	IntelliView™ monitor controlled
●	●
●	●
○	○
○	○
600/55X22.5 12 PR or 700/40X22.5 16 PR 500/50X17 14 PR 550/45XR22.5	600/55X22.5 12 PR or 700/40X22.5 16 PR 500/50X17 14 PR 550/45XR22.5
325.2 (8259)	327.4 (8315)
116.1 (2948)	116.1 (2948)
117.5 (2984)	117.5 (2984)
109.5 (2782)	109.5 (2782)
113.2 (2876)	113.2 (2876)
—	116.0 (2946)
123.3 (3133)	126.9 (3223)
123.3 (3133)	126.9 (3223)



Choose the axle and tire package for your terrain

Choose from single axle, standard steerable AutoSteer™ tandem axle and large-wheel steerable AutoSteer™ tandem axle with 22.5-inch tires for maximum flotation and field speed. The AutoSteer tandem axle also helps smooth the ride over rough terrain and during road transport. Additionally, the single sprung tandem axles provide better articulation over contours and during headland turns to limit soil damage. Load distribution is always 50/50, limiting soil compaction. This weight distribution also gives you faster stopping time when equipped with brakes.

Axle Type	Tire Size	Brand
Tandem + Steered Tandem	500/50 17 14PR	Alliance
	550/45 R22.5	Alliance
Large Steered Tandem	620/50 R22.5 (rotor only)	Alliance
	700/40 22.5 16PR	Alliance
Single	600/55 22.5 12PR	Alliance

Ultimate stopping performance

Both hydraulic and pneumatic braking options are available to offer powerful stopping performance while transporting.

Factory fitted hydraulic jack

Now you can choose between a mechanical or hydraulic jack for easier hookup





VALUE, SERVICE AND SOLUTIONS

There's a certain way of thinking that comes from living on a farm. Farming takes equal parts brain and brawn. Not to mention thick skin, calloused hands and a fair share of know how. Seasoned farmers know it helps to have equipment that's built by farmers, sold by farmers and used by farmers.

Support at every step. When you place your confidence in New Holland agricultural equipment, you get the finest in local support. Your New Holland dealer understands the many challenges you face and stands behind you at every step with the equipment, parts, service and financial solutions to make your job easier. Look to New Holland for a complete selection of equipment, including a full line of tractors, hay & forage equipment, harvesting, crop production and material handling equipment.

Quality parts and service. Turn to your New Holland dealer after the sale for expert, factory-trained service and genuine New Holland-branded parts. Your dealer has the very latest service updates and training to ensure your equipment keeps working productively season after season.

Financing solutions. Your New Holland dealer can tell you about smart ways to turn your financial challenges into opportunities with a portfolio of innovative financial services available through CNH Industrial Capital, including customized financing, leasing, insurance and the purchasing convenience of a Commercial Revolving Account.

For reliable equipment, parts and service — or just honest advice on farming and finance — turn to New Holland and your trusted New Holland dealer. We know. We're farmers, too.



We are proud to support the FFA.

Learn more at www.newholland.com/na

Design, materials and/or specifications are subject to change without notice and without liability therefor. Specifications are applicable to units sold in Canada, the United States, its territories and possessions, and may vary outside these areas.

© 2020 CNH Industrial America LLC. All rights reserved. New Holland is a trademark registered in the United States and many other countries, owned by or licensed to CNH Industrial N.V., its subsidiaries or affiliates. Any trademarks referred to herein, in association with goods and/or services of companies, other than owned by or licensed to CNH Industrial N.V., its subsidiaries or affiliates, are the property of those respective companies.



Safety begins with a thorough understanding of the equipment. Always make sure you and your operators read the Operator's Manual before using the equipment. Pay close attention to all safety and operating decals and never operate machinery without all shields, protective devices and structures in place.