

400 KICKER ROLLER



**OPTION
KICKER
ROLLER**

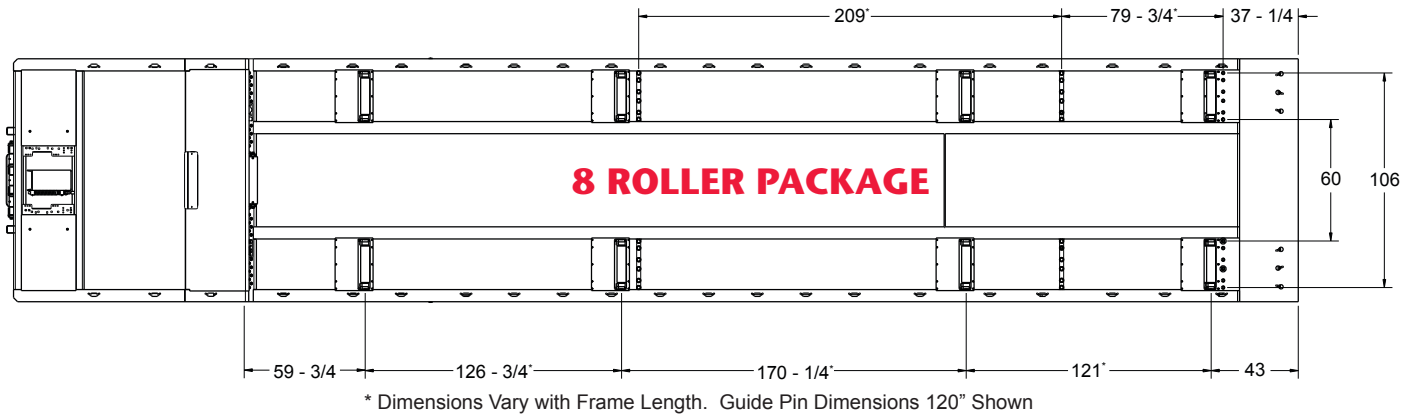
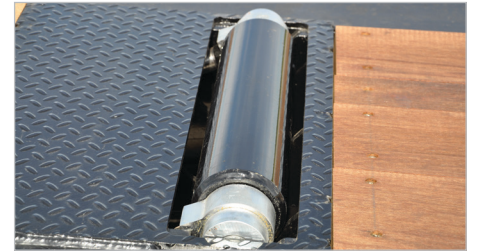
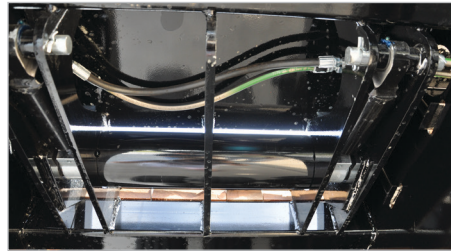
***EASY LOADING & TRANSPORTING
with Landoll Traveling Axle Trailers!***



PROVEN SOLUTIONS FOR YOUR HAULING NEEDS!
1-800-428-5655 | www.landoll.com/trailers

MODEL 400 KICKER ROLLER OPTION

Greaseable Heavy Duty Roller



DELIVER MORE THAN EQUIPMENT:

The Landoll ground loading traveling axle trailer is a great solution for loading equipment. Now it can handle skid-mounted equipment for the oil fields and other industries. Hydraulic rollers are stored below the deck surface. Independent hydraulic controls raise rollers 2½" above the deck. The Kicker Roller Package allows the operator to winch a skid onto the deck at a low 6° load angle. This gentle loading can be used on the most valuable commodities. The Kicker Roller Package is ideal for skids, tanks, bunks for the oil fields, skid mounted containers (as shown) and portable buildings for commercial applications.

The dual hydraulic lift cylinder system adds strength and stability while lifting or operating on the rollers. The end-mounted lift cylinders are directly in alignment with the roller guidance tracks. The guidance tracks keep the rollers from binding, even when rollers rise unevenly under heavy loads.

ROLLER WIDTH DIMENSIONS			
Trailer Width	102"	108"	120"
OD Roller**	83"	89"	101"
ID Roller**	53"	53"	65"
Roller Width**	15"	18"	18"

** Dimensions Vary Depending On 12¼ on 16.5 Brake

ROLLER PACKAGE	
	8 Roller Package
6 Skid Alignment Receivers and Pins	X
6 Pin Locations	X
Roller Row Independently Operated	Front 4 / Rear 4
10,000 lb. per Roller Capacity	X

Pictures and content may include optional equipment and/or standard features that may not be standard on all models. Specification and design subject to change without notice. Weights and measurements are best estimates and should not be treated as actual. There are other features and optional equipment available. If you have any questions, consult the factory. Capacity ratings are frame capacities only. Actual load capacities may be restricted by factors such as gross axle weight ratings (GAWR) or state and federal regulations.



CALL 1-800-428-5655
REMEMBER: QUALITY IS ALWAYS A BARGAIN!

1900 North Street | Marysville, KS 66508 | Phone:785-562-5381 | Fax:888-293-6779

SCAN FOR MORE

