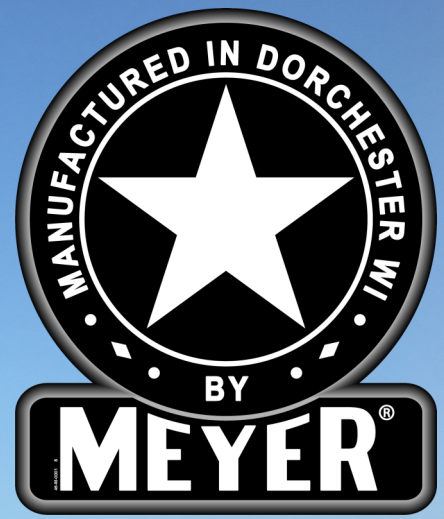


"FATBOY" RT

WIDER IS BETTER



- 9'7" Interior Width
- Fast - Efficient - Safe way to haul BIG Loads
- Lengths of 26' Tandem- 30' Tridem- 36' Quad

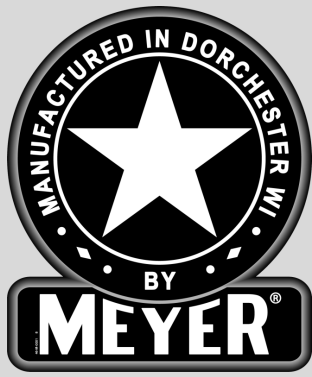
- Solid Poly Floor
- Clad-Tuff Sides



- Super Fast Unload Time
- High Lift Gate



Meyer Manufacturing Corp. meyermfg.com 800-325-9103



"FATBOY" RT

"Capacity-Capa

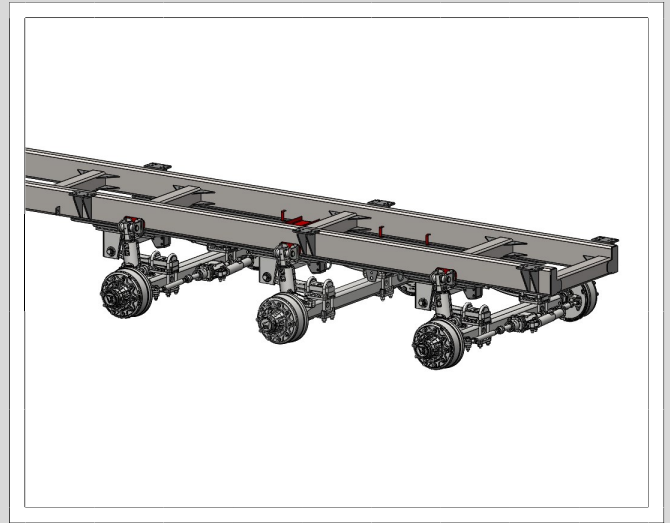
The New Meyer **"FATBOY RT"**
Was built with Large Capacity
In Mind! The Large 9' 7" Opening
Makes for An Easy Target.
Coupled with a High Speed
Unloading System,
This Box will Change Forage
Harvesting for Years.



New **"FATBOY"**

- **Larger Capacity**
- **Customized Axle Con**
- **Integrated Undercarr**
- **Large 29" Hydraulic P**
- **Unbelievable Floatati**
- **Fast Unloading**
- **High Lift Rear Door**

Capacity-Capacity™



Hydraulic Suspension

- Smooth Ride
- Great Operator Control
- Floatation
- Even Weight Distribution
- Less Operator Fatigue
- Greater Stability

Features

Configurations

Triage

Fold Down Front

on



"FATBOY" RT

Specifications * Options

FATBOY MODEL - "10 SERIES"	1026RT RR / RS	1030RT SRS / RRS	1036RT SRRS
DIMENSIONS			
INSIDE LENGTH	26'	30'	36' 8"
INSIDE WIDTH	9' 7"	9' 7"	9' 7"
INSIDE HEIGHT	7' 2"	7' 2"	7' 2"
OVERALL LENGTH	35' 8"	39' 8"	46' 4"
OVERALL WIDTH	11'	11'	11'
OVERALL HEIGHT	13' 6"	13' 6"	13' 6"
SPECIFICATIONS			
MAX NET LOAD (OFF ROAD RATING) @ 25 MPH			
CAPACITY, STRUCK	1791 FT ³	2066 FT ³	2524 FT ³
APRON CHAIN	667XH PINTLE, 2 SETS	667XH PINTLE, 2 SETS	667XH PINTLE, 2 SETS
REAR DRIVE SHAFT	2-3/8"	2-3/8"	2-3/8"
POWER SOURCE / DIRECT GEARDRIVE	HYD - DUAL	HYD - DUAL	HYD - DUAL
UPRIGHT SPACING	16"	16"	16"
UPRIGHT DESIGN	2 ½" X 2 ½" TUBE	2 ½" X 2 ½" TUBE	2 ½" X 2 ½" TUBE
CROSS MEMBER CONSTRUCTION	FORMED 5/16" CHANNEL	FORMED 5/16" CHANNEL	FORMED 5/16" CHANNEL
UNLOADING TIME - (DEPENDENT OF HYD. SYSTEM)	35 Seconds	45 Seconds	55 Seconds
EMPTY WEIGHT		25,400 LBS	31,000 LBS
FEATURES			
ALL STEEL WELDED FRAME	STD	STD	STD
CLAD-TUFF FIBERGLASS WOVEN	STD	STD	STD
SIDE & FRONT PANELS	STD	STD	STD
SOLID, HIGH MOLECULAR POLY FLOOR	STD	STD	STD
TIRE SIZE	710/50R26.5	800/45R26.5	800/45R26.5
INTEGRATED BRAKES - HYDRAULIC	STD	STD	STD
HYDRAULIC SUSPENSION W/RIDE HEIGHT ADJ	STD	STD	STD
DUAL HYDRAULIC GEAR DRIVE	STD	STD	STD
HYDRAULIC HI-LIFT TAILGATE	STD	STD	STD
29" HYD. FRONT FOLD-DOWN	STD	STD	STD
ARTICULATING AG HITCH / BULL PULL	STD	STD	STD
DOUBLE VIEWING WINDOW	STD	STD	STD
LED REAR TURN SIGNAL LIGHTS	STD	STD	STD
LED MARKER / CLEARANCE LIGHTS / DOT TAPE	STD	STD	STD
PERSONALIZED FARM NAME ON SIDES	STD	STD	STD
NO ROOF	STD	STD	STD
OPTIONS			
OPTIONAL TIRE SIZE	800/45R26.5	NA	NA
FRONT LIFT AXLE	OPT*	OPT	OPT
SIDE-MTD. LED TURN SIGNALS IN ADDITION TO STANDARD	OPT	OPT	OPT
BLACK FRAME PAINT	STD	STD	STD
STEEL FENDERS W/REAR FLAPS	STD	STD	STD
SCALES	NA	NA	NA

NOTE: No Front Lift Axle Available on 1026RT-RS



Farm Equipment Buyers Trust The Name Meyer!

Meyer Mfg Corp. * Dorchester, Wisconsin 54425 * 715-654-5132

1-800-325-9103

Email: sales@meyermfg.com * home page www.meyermfg.com

