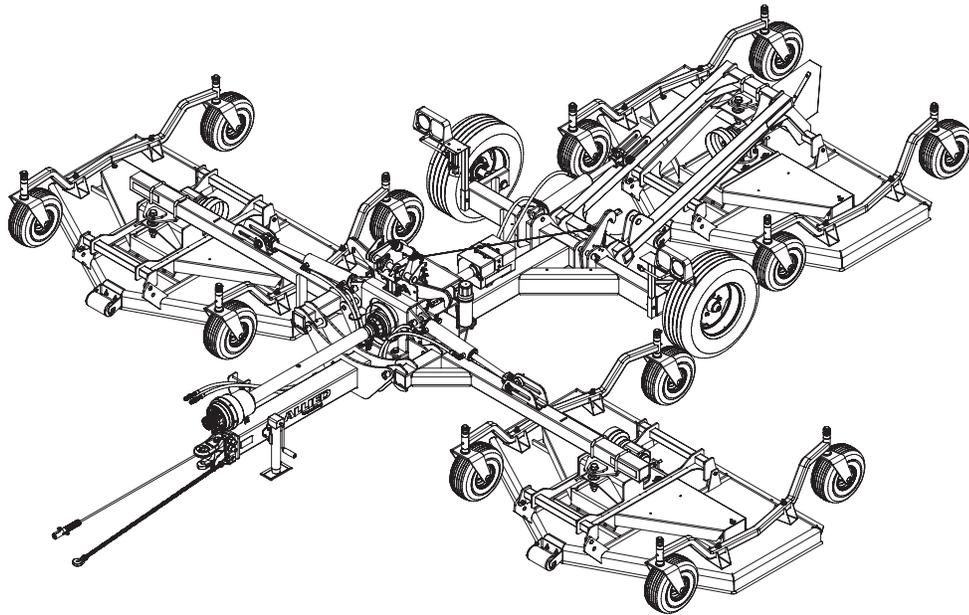




# OPERATOR AND PARTS MANUAL

## Triplex Finishing Mower

Model 465, 565, 665, 765





# Table Of Contents

**Manufacturer’s Statement:** For technical reasons, Buhler Industries Inc. reserves the right to modify machinery design and specifications provided herein without any preliminary notice. Information provided herein is of descriptive nature. Performance quality may depend on soil fertility, applied agricultural techniques, weather conditions, and other factors.

Warranty Registration Form.....	1
Introduction.....	3
Owner’s Information.....	5
Equipment Identification.....	6
Safety.....	9
Safety Instructions.....	11
Fire Prevention.....	14
Safety Signs And Equipment Decals.....	16
Safety Sign-Off Form.....	18
Operation.....	19
Pre-Operation Checklist.....	21
Tractor Requirements.....	22
Entering The Operator’s Position.....	22
Leaving The Operator’s Position.....	22
Connecting To Tractor.....	23
Connecting Hydraulics and Electrical Harness.....	24
Connecting The PTO Driveline.....	25
Theory Of Operation.....	29
Transporting.....	31
Maintenance.....	33
Troubleshooting.....	35
Service Schedule Chart.....	37
Service Recommendations.....	38
Lubrication.....	38
Gearbox.....	41
Mower Decks.....	42
Axles.....	44
Parts Identification.....	45
General Parts Information.....	47
Main Frame and Light Kit.....	47
Transport Lock.....	50

Mower Mounts.....	52
Center Mower Deck - 465, 565.....	54
Center Mower Deck - 665, 765.....	58
Left / Right Mower Deck - 465, 565.....	62
Left / Right Mower Deck - 665, 765.....	66
Hydraulic Cylinders and Valve.....	70
Hydraulic Fittings and Hoses.....	72
PTO Guards.....	74
PTO - F2359 (To Tractor).....	76
PTO - F2360 (Link).....	77
PTO - F2361 (To Left / Right Deck, 465).....	78
PTO - F2362 (To Left / Right Deck, 565).....	79
PTO - F2363 (To Left / Right Deck, 665).....	80
PTO - F2364 (To Left / Right Deck, 765).....	81
PTO - F2365 (To Center Deck, 465 & 565).....	82
PTO - F2366 (To Center Deck, 665 & 765).....	83
<b>Specifications And Shipping Kit Numbers.....</b>	<b>85</b>
Specifications.....	87
Shipping Kit And Bundle Numbers.....	89
Hardware Torque Values.....	90
<b>Warranty.....</b>	<b>93</b>
Farm King Base Limited Warranty.....	95

## Warranty Registration Form

**This form must be filled out by the dealer and signed by both the dealer and the customer at the time of delivery.**

Customer Name:		Dealer Name:	
Customer Address:		Dealer Address:	
City:	Prov / State:	City:	Prov / State:
Postal / Zip Code:	Phone:	Postal / Zip Code:	Phone:

Equipment Model:	Serial Number:	Delivery Date:
------------------	----------------	----------------

I have thoroughly instructed the buyer on the above described equipment which review included the Operator and Parts Manual content, equipment care, adjustments, safe operation and applicable warranty policy.

### Dealer Inspection Report

- Bearings Turn Freely
- Belt Tension Checked
- Gear Box Oil Level Checked
- Blades Properly Oriented
- Fasteners Tight
- Lubricate Machine
- Mower Decks Properly Adjusted

### Safety

- Safety Chain on Hitch
- All Decals Installed
- Guards and Shields Installed and Secure
- Operating and Safety Instructions Reviewed
- Gearbox Case Checked for Leaks

Date:	Dealer Rep. Signature:
-------	------------------------

The above equipment and Operator And Parts Manual have been received by me and I have been thoroughly instructed as to care, adjustments, safe operation and applicable warranty policy.

Date:	Customer / Owner Signature:
-------	-----------------------------

**Remove this Warranty Registration Form from the Operator And Parts Manual. Make two copies of the form. Send original Warranty Registration Form to Farm King. Give one copy to the customer and the dealer will keep one copy.**

# ALLIED

by **Farm King**



## Introduction

This Operator And Parts Manual was written to give the owner / operator instructions on the safe operation, maintenance and part identification of the Farm King equipment. **READ AND UNDERSTAND THIS OPERATOR AND PARTS MANUAL BEFORE OPERATING YOUR FARM KING EQUIPMENT.** If you have any questions, see your Farm King dealer. This manual may illustrate options and accessories not installed on your Farm King equipment.

Owner's Information.....	5
Serial Number Location.....	5
Manual Storage.....	5
Equipment Identification.....	6
Component Location.....	6

# ALLIED

by **Farm King**





## Owner's Information

Thank you for your decision to purchase a Farm King Triplex Finishing Mower. To ensure maximum performance of your equipment, it is mandatory that you thoroughly study the Operator and Parts Manual and follow the recommendations. Proper operation and maintenance are essential to maximize equipment life and prevent personal injury.

Operate and maintain this equipment in a safe manner and in accordance with all applicable local, state, and federal codes, regulations and / or laws. Follow all on-product labeling and instructions.

Make sure that all personnel have read this Operator and Parts Manual and thoroughly understand safe and correct operating, installation and maintenance procedures.

Farm King is continually working to improve its products. Farm King reserves the right to make any improvements or changes as deemed practical and possible without incurring any responsibility or obligation to make any changes or additions to equipment sold previously.

Although great care has been taken to ensure the accuracy of this publication, Farm King, makes no warranty or guarantee of any kind, written or expressed, implied or otherwise with regard to the information contained within this manual. Farm King assumes no responsibility for any errors that may appear in this manual and shall not be liable under any circumstances for incidental, consequential or punitive damages in connection with, or arising from the use of this manual.

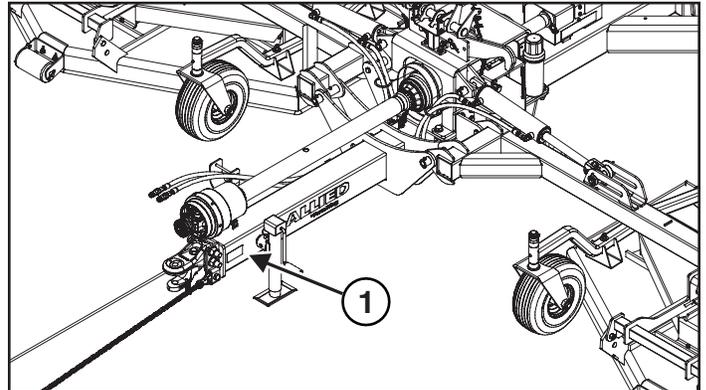
Keep this manual available for frequent reference. All new operators or owners must review the manual before using the equipment and annually thereafter. Contact your Farm King Dealer if you need assistance, information, or additional copies of the manual. Visit our website at [www.farm-king.com](http://www.farm-king.com) for a complete list of dealers in your area.

The directions left, right, front and rear, as mentioned throughout this manual, are as viewed from the rear of the equipment.

## Serial Number Location

Please enter the model and serial number in the space provided for easy reference.

**Figure 1**



**Model Number:** \_\_\_\_\_

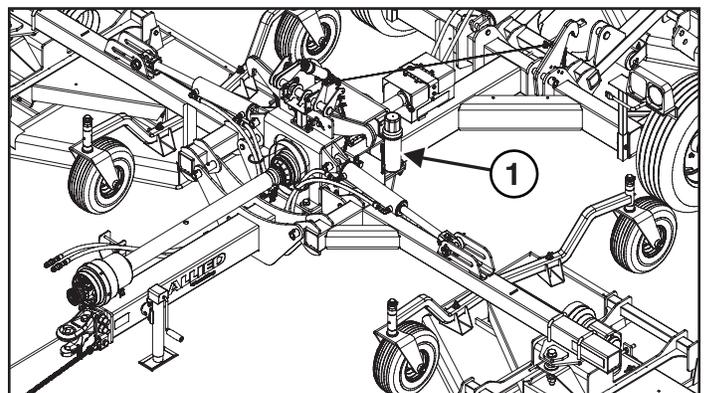
**Serial Number:** \_\_\_\_\_

The serial number plate (Item 1) [Figure 1] is located on the hitch.

Always use your serial number when requesting information or when ordering parts.

## Manual Storage

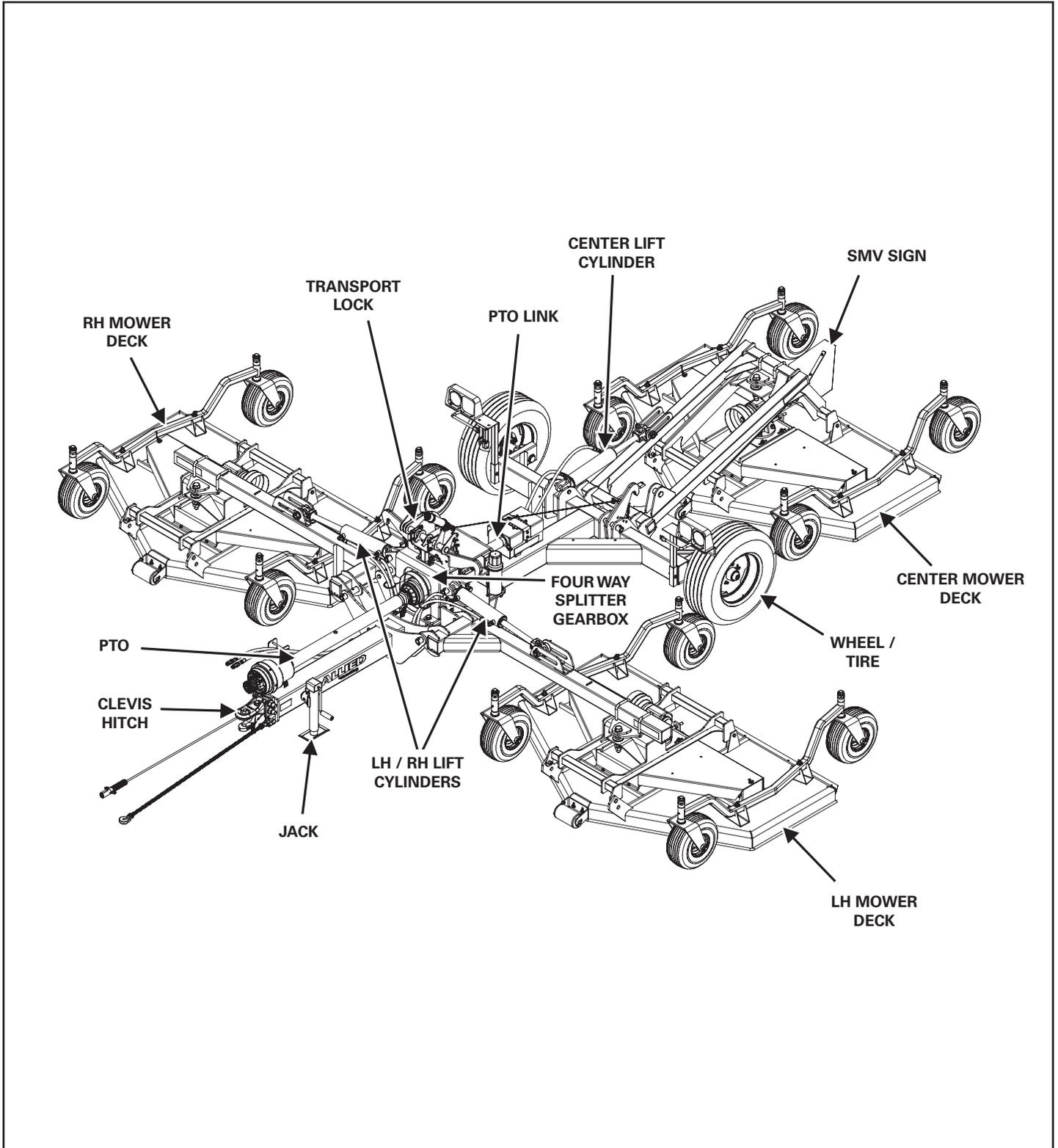
**Figure 2**

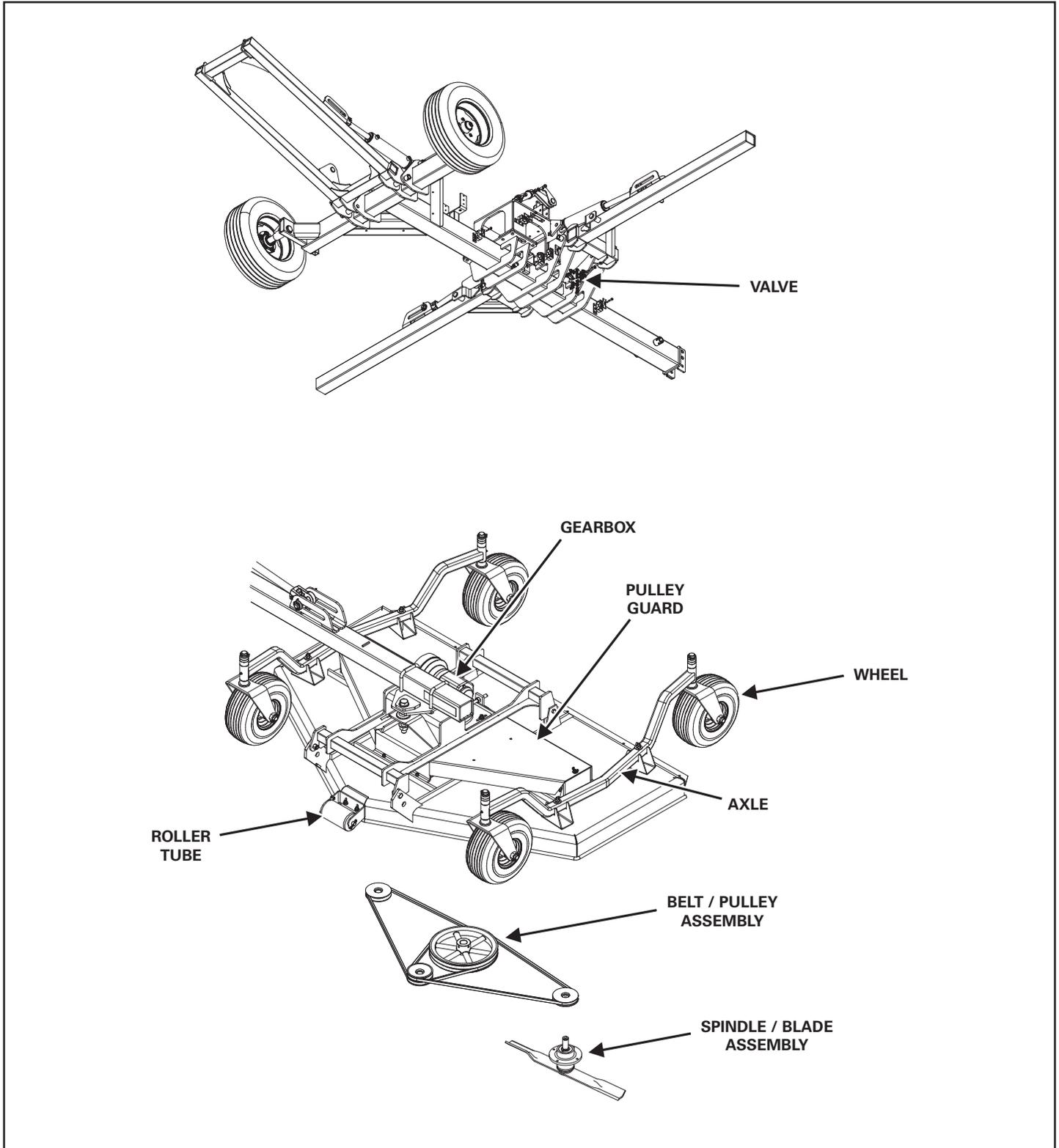


The operator and parts manual and other documents can be stored in the canister (Item 1) [Figure 2].

# Equipment Identification

## Component Location





# ALLIED

by **Farm King**



# Safety

Safety Instructions.....	11
Safe Operation is The Operator’s Responsibility.....	11
Safe Operation Needs A Qualified Operator.....	11
Use Safety Rules.....	12
Safety Rules For Power Take-Off (PTO) Driven Equipment.....	12
Machine Requirements And Capabilities.....	13
Transport Safety.....	13
Fire Prevention.....	14
Maintenance.....	14
Operation.....	14
Starting.....	14
Electrical.....	14
Hydraulic System.....	14
Fueling.....	14
Welding And Grinding.....	15
Fire Extinguishers.....	15
Safety Signs And Equipment Decals.....	16
Safety Sign-Off Form.....	18

# ALLIED

by **Farm King**



## Safety Instructions

### Safe Operation is The Operator's Responsibility

	<b>Safety Alert Symbol</b>
<p>This symbol with a warning statement means: "Warning, be alert! Your safety is involved!" Carefully read the message that follows.</p>	

	<b>CAUTION</b>
<p>The signal word CAUTION on the machine and in the manuals indicates a potentially hazardous situation which, if not avoided, may result in minor or moderate injury. It may also be used to alert against unsafe practices.</p>	

	<b>DANGER</b>
<p>The signal word DANGER on the machine and in the manuals indicates a hazardous situation which, if not avoided, will result in death or serious injury.</p>	

	<b>WARNING</b>
<p>The signal word WARNING on the machine and in the manuals indicates a potentially hazardous situation which, if not avoided, could result in death or serious injury.</p>	

	<b>IMPORTANT</b>
<p>This notice identifies procedures which must be followed to avoid damage to the machine.</p>	

### Safe Operation Needs A Qualified Operator

	<b>WARNING</b>
<p><b>Operators must have instructions before operating the machine. Untrained operators can cause injury or death.</b></p>	

For an operator to be qualified, he or she must not use drugs or alcohol which impair alertness or coordination while working. An operator who is taking prescription drugs must get medical advice to determine if he or she can safely operate a machine and the equipment.

Understand the written instructions, rules and regulations:

- The written instructions from Farm King include the Warranty Registration, Dealer Inspection Report, Operator And Parts Manual and machine signs (decals).
- Check the rules and regulations at your location. The rules may include an employer's work safety requirements. Regulations may apply to local driving requirements or use of a Slow Moving Vehicle (SMV) emblem. Regulations may identify a hazard such as a utility line.

Have Training with Actual Operation:

- Operator training must consist of a demonstration and verbal instruction. This training is given by the machine owner prior to operation.
- The new operator must start in an area without bystanders and use all the controls until he or she can operate the machine safely under all conditions of the work area. Always fasten seat belt before operating.

Know the Work Conditions:

- Clear working area of all bystanders, especially small children and all obstacles that might be hooked or snagged, causing injury or damage.
- Know the location of any overhead or underground power lines. Call local utilities and have all underground power lines marked prior to operation.
- Wear tight fitting clothing. Always wear safety glasses when doing maintenance or service.

## Use Safety Rules

- Read and follow instructions in this manual and the tractor's Operators Manual before operating.
- Under no circumstances should young children be allowed to work with this equipment.
- This equipment is dangerous to children and persons unfamiliar with its operation.
- Check for overhead and / or underground lines before operating equipment (if applicable).
- In addition to the design and configuration of equipment, hazard control and accident prevention are dependent upon the awareness, concern, prudence and proper training of personnel involved in the operation, transport, maintenance and storage of equipment.
- Check that the equipment is securely fastened to the tractor / towing vehicle.
- Make sure all the machine controls are in the NEUTRAL position before starting the machine.
- Operate the equipment only from the operator's position.
- Operate the equipment according to the Operator And Parts Manual.
- When learning to operate the equipment, do it at a slow rate in an area clear of bystanders, especially small children.
- DO NOT permit personnel to be in the work area when operating the equipment.
- The equipment must be used ONLY on approved tractors / transport vehicles.
- DO NOT modify the equipment in any way. Unauthorized modification may impair the function and / or safety and could affect the life of the equipment.
- Stop tractor engine, place all controls in neutral, set park brake, remove ignition key and wait for all moving parts to stop before servicing, adjusting, repairing, unplugging or filling.
- DO NOT make any adjustments or repairs on the equipment while the machine is running.
- Keep shields and guards in place. Replace if damaged.
- Keep hands, feet, hair and clothing away from all moving parts.

## Safety Rules For Power Take-Off (PTO) Driven Equipment

- Keep PTO shields and all guards in place. Replace damaged or missing shields and guards before operating.
- Follow warnings and instructions on machine signs (decals). Replace damaged or missing decals.
- Do not wear loose or bulky clothing around the PTO or other moving parts.
- Keep bystanders away from PTO driven equipment, and never allow children near machines.
- Read and understand the manuals for the PTO driven equipment and be aware of safe operating procedures and hazards that may not be readily apparent.
- Never operate over 540 rpm.
- Always walk around equipment to avoid coming near a turning PTO driveline. Stepping over, leaning across or crawling under a turning PTO driveline can cause entanglement.
- Position the machine and equipment hitch correctly to prevent driveline stress and separation.
- Use caution when raising PTO driven equipment.
- Excessive driveline angle can cause driveline damage.



## Machine Requirements And Capabilities

- Fasten seat belt securely. If equipped with a foldable Roll-Over Protective Structure (ROPS), only fasten seat belt when ROPS is up and locked. DO NOT wear seat belt if ROPS is down.
- Stop the machine and engage the parking brake. Install blocks in front of and behind the rear tires of the machine. Install blocks underneath and support the equipment securely before working under raised equipment.
- Keep bystanders clear of moving parts and the work area. Keep children away.
- Use increased caution on slopes and near banks and ditches to prevent overturn.
- Make certain that the Slow Moving Vehicle (SMV) emblem is installed so that it is visible and legible. When transporting the equipment, use the flashing warning lights (if equipped) and follow all local regulations.
- Operate this equipment with a machine equipped with an approved Roll-Over Protective Structure (ROPS). Always wear seat belt when the ROPS is up. Serious injury or death could result from falling off the machine.
- Before leaving the operator's position:
  1. Always park on a flat level surface.
  2. Place all controls in neutral.
  3. Engage the parking brake.
  4. Stop engine.
  5. Wait for all moving parts to stop.
- Carry passengers only in designated seating areas. Never allow riders on the machine or equipment. Falling off can result in serious injury or death.
- Start the equipment only when properly seated in the operator's seat. Starting a machine in gear can result in serious injury or death.
- Operate the machine and equipment from the operator's position only.
- The parking brake must be engaged before leaving the operator's seat. Roll-away can occur because the transmission may not prevent machine movement.

## Transport Safety

- Do not exceed 20 mph (32 kph). Reduce speed on rough roads and surfaces.
- Comply with state and local laws governing highway safety and movement of machinery on public roads.
- The use of flashing amber lights is acceptable in most localities. However, some localities prohibit their use.
- Local laws should be checked for all highway lighting and marking requirements.
- Always yield to oncoming traffic in all situations and move to the side of the road so any following traffic may pass.
- Always enter curves or drive up or down hills at a low speed and at a gradual steering angle.
- Never allow riders on either tractor or equipment.
- Keep tractor / towing vehicle in a lower gear at all times when traveling down steep grades.
- Maintain proper brake settings at all times (if equipped).

## Fire Prevention



### Maintenance

- The machine and some equipment have components that are at high temperatures under normal operating conditions. The primary source of high temperatures is the engine and exhaust system. The electrical system, if damaged or incorrectly maintained, can be a source of arcs or sparks.
- Flammable debris (leaves, straw, etc.) must be removed regularly. If flammable debris is allowed to accumulate, it can cause a fire hazard. Clean often to avoid this accumulation. Flammable debris in the engine compartment is a potential fire hazard. The operator's area, engine compartment and engine cooling system must be inspected every day and cleaned if necessary to prevent fire hazards and overheating.
- All fuels, most lubricants and some coolant mixtures are flammable. Flammable fluids that are leaking or spilled onto hot surfaces or onto electrical components can cause a fire.

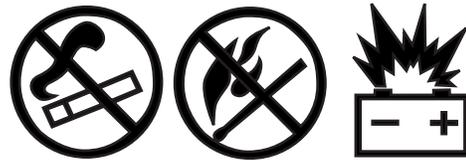
### Operation

- The Farm King machine must be in good operating condition before use.
- Check all of the items listed on the service schedule under the 8 hour column before operation. (See Maintenance section)
- Do not use the machine where exhaust, arcs, sparks or hot components can contact flammable material, explosive dust or gases.

### Starting

- Do not use ether or starting fluids on any engine that has glow plugs. These starting aids can cause explosion and injure you or bystanders.
- Use the procedure in the tractor's operator's manual for connecting the battery and for jump starting.

### Electrical



- Check all electrical wiring and connections for damage. Keep the battery terminals clean and tight. Repair or replace any damaged part or wires that are loose or frayed.
- Battery gas can explode and cause serious injury. Do not jump start or charge a frozen or damaged battery. Keep any open flames or sparks away from batteries. Do not smoke in battery charging area.

### Hydraulic System

- Check hydraulic tubes, hoses and fittings for damage and leakage. Never use open flame or bare skin to check for leaks. Hydraulic tubes and hoses must be properly routed and have adequate support and secure clamps. Tighten or replace any parts that show leakage.
- Always clean fluid spills. Do not use gasoline or diesel fuel for cleaning parts. Use commercial nonflammable solvents.

### Fueling

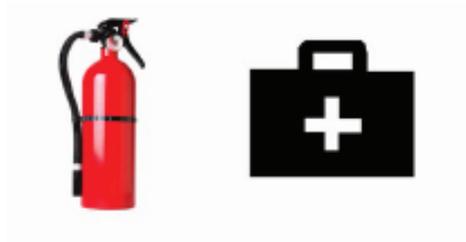


- Stop the engine and let it cool before adding fuel. No smoking. Do not refuel a machine near open flames or sparks. Fill the fuel tank outdoors.

## Welding And Grinding

- Always clean the machine and equipment, disconnect the battery, and disconnect the wiring from the machine controls before welding. Cover rubber hoses, battery and all other flammable parts. Keep a fire extinguisher near the machine when welding.
- Have good ventilation when grinding or welding painted parts. Wear dust mask when grinding painted parts. Toxic dust or gas can be produced.
- Dust generated from repairing nonmetallic parts such as hoods, fenders or covers can be flammable or explosive. Repair such components in a well ventilated area away from open flames or sparks.

## Fire Extinguishers

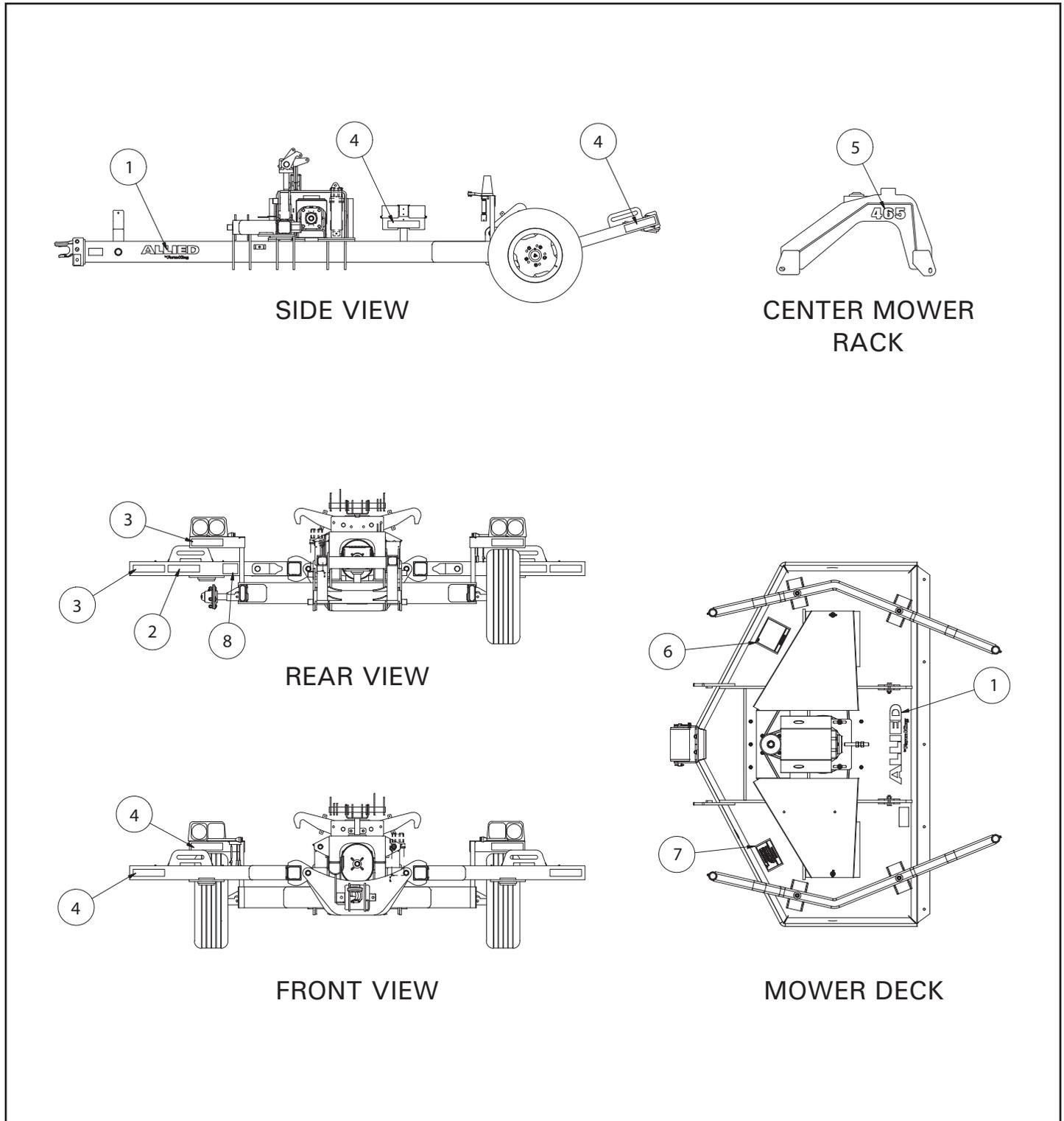


- Know where fire extinguishers and first aid kits are located and how to use them. Inspect the fire extinguisher and service the fire extinguisher regularly. Obey the recommendations on the instructions plate.

## Safety Signs And Equipment Decals

Follow the instructions on all the signs (decals) that are on the equipment. Replace any damaged signs (decals) and be sure they are in the correct locations. Equipment signs are available from your Farm King equipment dealer.

Figure 3



**Safety Signs And Equipment Decals [Figure 3]**

ALLIED BY FARM KING - 815035 (Item 1)



REFLECTIVE 2 X 9 ORANGE - 813631 (Item 2)



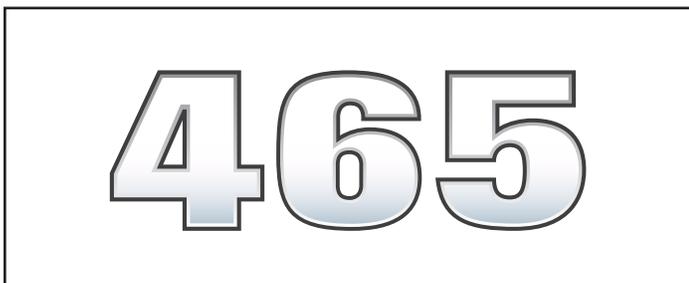
REFLECTIVE 2 X 9 RED - 967053 (Item 3)



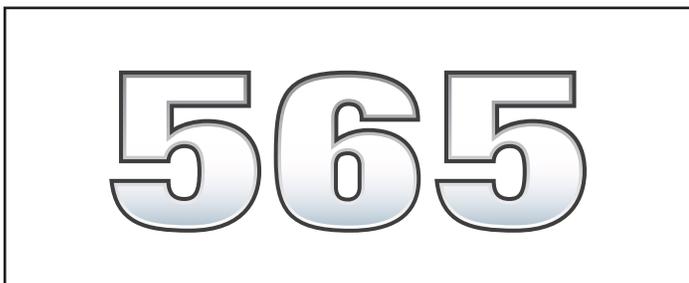
REFLECTIVE 2 X 9 AMBER - 967055 (Item 4)



465 MODEL - 820215 (Item 5)



565 MODEL - 820216 (Item 5)



665 MODEL - 820217 (Item 5)



765 MODEL - 820218 (Item 5)



CAUTION - 966703 (Item 6)



WARNING - 966702 (Item 7)



WARNING - 966701 (Item 8)





# Operation

Pre-Operation Checklist.....	21
Tractor Requirements.....	22
Entering The Operator’s Position.....	22
Leaving The Operator’s Position.....	22
Connecting To Tractor.....	23
Connecting Hydraulics and Electrical Harness.....	24
Connecting The PTO Driveline.....	25
PTO Driveline Length Check.....	26
PTO Driveline Bottoming Out Check.....	26
Reducing The PTO Driveline Length.....	27
PTO Driveline Engagement Check.....	28
Theory Of Operation.....	29
Starting Operation.....	30
Cutting Process.....	30
Finishing Operation.....	31
Adjusting Cutting Height.....	31
Transporting.....	31

# ALLIED

by **Farm King**





## Pre-Operation Checklist

Before operating the equipment for the first time and each time thereafter, check the following items:

	<b>WARNING</b>
<b>AVOID INJURY OR DEATH</b>	
<ul style="list-style-type: none"> <li>• Disengage the PTO, engage the machine's parking brake, stop the engine and make sure all rotating components are completely stopped before connecting, disconnecting, adjusting or cleaning any PTO driven equipment.</li> <li>• Always keep PTO shields and all guards in place when using PTO driven equipment.</li> <li>• Disengage PTO for road travel.</li> <li>• Keep hands, feet and clothing away.</li> </ul>	

	<b>WARNING</b>
<b>AVOID INJURY OR DEATH</b>	
<p><b>Wear safety glasses to prevent eye injury when any of the following conditions exist:</b></p> <ul style="list-style-type: none"> <li>• When fluids are under pressure.</li> <li>• Flying debris or loose material is present.</li> <li>• Engine is running.</li> <li>• Tools are being used.</li> </ul>	

1. Lubricate the equipment per the schedule outline in the Maintenance Section.
2. Check the hitch for damaged, loose or missing parts. Repair as needed before operation.
3. Check that tire pressure is 30 psi (207 kpa).
4. Check that wheel bolt torque is 93 ft. lb. (126 N•m).
5. Fully clean the equipment.
6. Inspect all safety reflective decals, slow moving vehicle decals and lights where applicable.

	<b>WARNING</b>
	
<p><b>Leaking fluids under pressure can enter the skin and cause serious injury or death. Immediate medical attention is required. Wear goggles. Use cardboard to check for leaks.</b></p>	

7. Check condition of all hydraulic components for leaks. Repair as required.

**NOTE:** Do not operate with hydraulic leaks.

## Tractor Requirements

The tractor must satisfy the following requirements, depending on model.

465 Model:

- 45 HP w/ clevis hitch

565 Model:

- 55 HP w/ clevis hitch

665 Model:

- 65 HP w/ clevis hitch

765 Model:

- 80 HP w/ clevis hitch

	WARNING
<ul style="list-style-type: none"> <li>• Do NOT exceed 540 RPM PTO.</li> <li>• Keep PTO shields and all guards in place.</li> <li>• Keep away from moving parts.</li> <li>• Keep bystanders away.</li> </ul>	

	IMPORTANT
<p><b>Towing Vehicle / Tractor must have adequate braking capacity to safely control GVW trailing load. Do not exceed 20 mph (32 km/h).</b></p>	

## Entering The Operator's Position

Enter the operator's position, start the engine, and release the parking brake.

	IMPORTANT
<p><b>Follow the instructions in your tractor's operation manual for the correct procedure.</b></p>	

## Leaving The Operator's Position

Always perform the following steps when leaving the operator's position:

	WARNING
<p><b>AVOID INJURY OR DEATH</b></p>	
<p><b>Before you leave the operator's position:</b></p> <ul style="list-style-type: none"> <li>• Always park on a flat level surface.</li> <li>• Place all controls in NEUTRAL.</li> <li>• Engage the park brake.</li> <li>• Stop the engine and remove the key.</li> <li>• Wait for all moving parts to stop.</li> </ul>	

## Connecting To Tractor

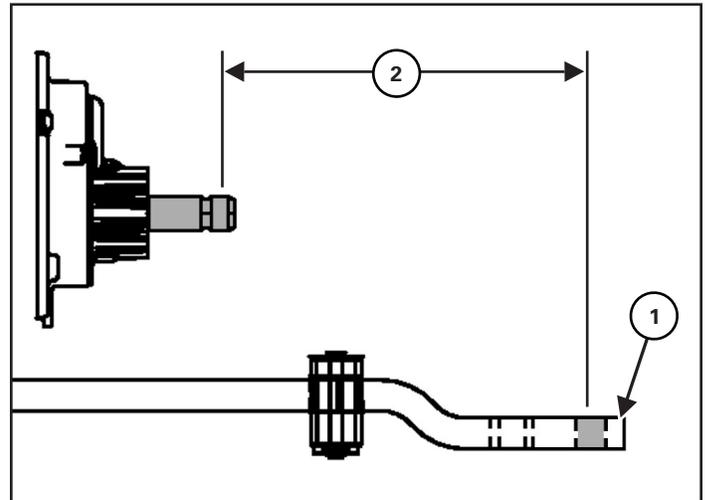
Always inspect the tractor's hitch and equipment's hitch before connecting. See the tractor's owner's manual.

Move the tractor into position in front of the equipment.

	WARNING
	
AVOID INJURY OR DEATH	
Keep fingers and hands out of pinch points when connecting and disconnecting equipment.	

	WARNING
	
AVOID INJURY OR DEATH	
Before moving the tractor, look in all directions and make sure no bystanders, especially small children are in the work area.	
Do not allow anyone between the tractor and the equipment when backing up to the equipment for connecting.	

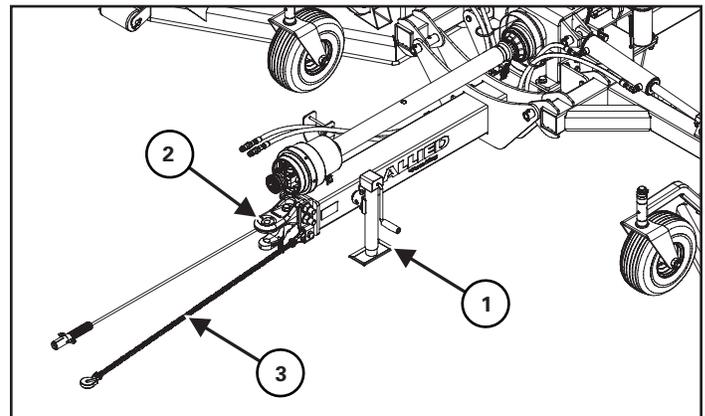
**Figure 4**



Adjust the tractor's drawbar in / out, until the center of the hitch pin hole (Item 1) is 13.78 inches (350 mm) (Item 2) [Figure 4] from the end of the tractor's PTO shaft. See your tractor's owner's manual for correct adjustment procedures.

Enter the operator's position. Move the tractor into position in front of the equipment. Move the tractor backwards, aligning the drawbar with the equipment hitch. Leave the operator's position.

**Figure 5**



Adjust the equipment jack (Item 1) to align the tractor drawbar and equipment hitch (Item 2) [Figure 5].

Turn the handle clockwise to raise the hitch or counterclockwise to lower the hitch. Lower or raise the equipment hitch until aligned with the tractor's drawbar.

Enter the operator's position. Move the tractor backwards, aligning the drawbar hitch pin hole with the equipment. Leave the operator's position.

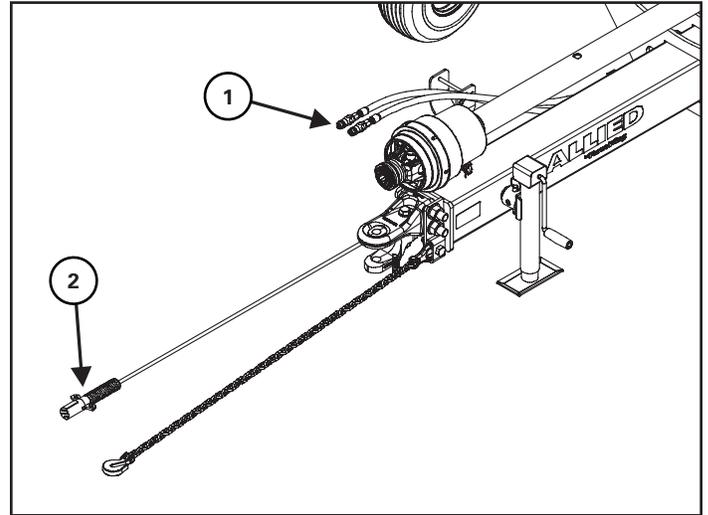
Install the hitch pin and retaining pin to securely fasten the equipment hitch to the tractor drawbar.

Attach the safety chain (Item 3) around the drawbar [Figure 5].

<b>!</b>	<b>IMPORTANT</b>
<p><b>Always use a hitch pin of adequate size and strength and a retaining pin with a locking device.</b></p>	

## Connecting Hydraulics and Electrical Harness

Figure 6



Install the lift cylinders quick coupler hoses (Item 1) to tractor [Figure 6].

Pull back on the collar of the female coupler, push couplers together, and release collar when the couplers are fully engaged and locked.

<b>!</b>	<b>IMPORTANT</b>
<p><b>Contain and dispose of any oil leakage in an environmentally safe manner.</b></p> <p><b>Thoroughly clean the quick couplers before making connections. Dirt can quickly damage the system.</b></p>	

Install the light kit 7-pin plug (Item 2) to tractor [Figure 6].

## Connecting The PTO Driveline

Stop the engine and leave the operator's position (See "Leaving The Operator's Position" in Operator's section).

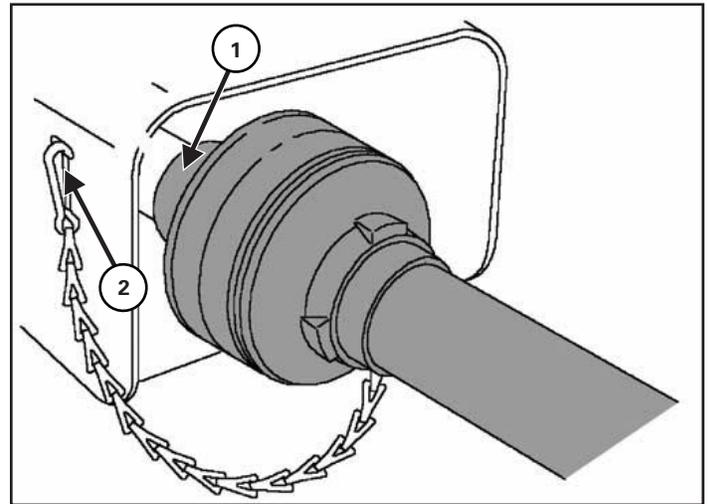
	<b>WARNING</b>
<b>AVOID INJURY OR DEATH</b>	
<p>Warnings on the machine and in the manuals are for your safety. Failure to obey warnings can cause serious injury or death.</p>	

**Note:** Clean and grease tractor's PTO shaft and PTO driveline coupling each time driveline is connected.

	<b>IMPORTANT</b>
<p>Improper hitch installation can cause PTO driveline damage.</p>	
<ul style="list-style-type: none"> <li>• Do not modify the three point hitch.</li> <li>• Make sure the PTO driveline is of adequate length and that u-joints are in the correct phase.</li> </ul>	

Remove the PTO driveline from the storage position (if applicable).

Figure 7



Retract the collar (Item 1) [Figure 7] and slide the PTO driveline onto the tractor PTO shaft. Release the collar and the driveline will lock onto the shaft. Push and pull the PTO driveline back and forth several times and make sure it is securely attached to the PTO shaft.

Install PTO driveline safety chain (Item 2) [Figure 7].

**Note:** The PTO driveline must have a means to retain it to the PTO shaft on the tractor.

	<b>WARNING</b>
	
<ul style="list-style-type: none"> <li>• Do NOT exceed 540 RPM PTO.</li> <li>• Keep PTO shields and all guards in place.</li> <li>• Keep away from moving parts.</li> <li>• Keep bystanders away.</li> </ul>	

### PTO Driveline Length Check

Due to variations in distances between tractor PTO shafts and implement input shafts, drivelines may need to be shortened or a longer shaft may be required.

When fitting the implement to the tractor, the PTO driveline, with telescoping sections, must be inspected. When the sections are at the most compressed operating position, the sections must not “bottom out”.

At its shortest length, there must be at least 2 in. (50.8 mm) of clearance between each section end and opposite section end at the most compressed operating position.

When the sections are at the most extended position, there must be sufficient engagement between the sections.

At its farthest operating extension, a minimum section engagement of 33% of shaft length must be maintained.

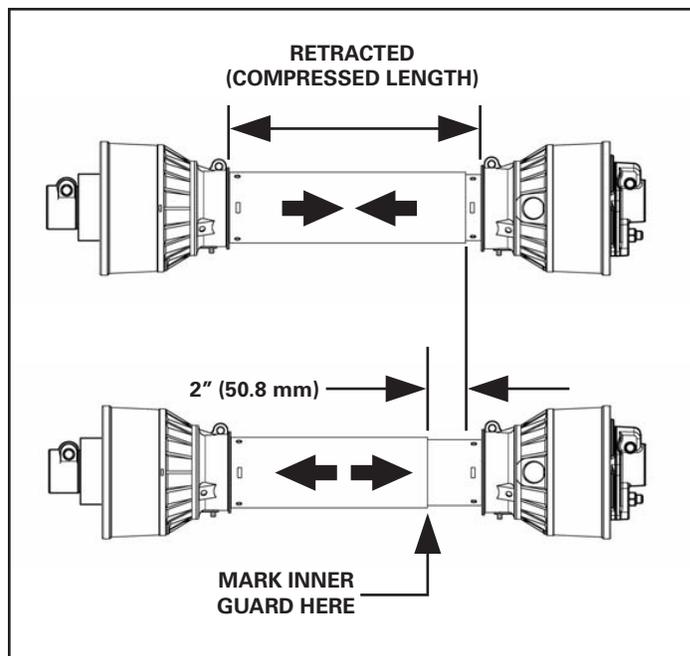
	<h2 style="margin: 0;">WARNING</h2>
<h3 style="margin: 0;">AVOID INJURY OR DEATH</h3>	
<ul style="list-style-type: none"> <li>• <b>Do NOT exceed the rated implement PTO speed.</b></li> <li>• <b>Stay clear of rotating driveline.</b></li> <li>• <b>Keep bystanders away.</b></li> <li>• <b>Keep hands, feet, clothing and long hair away.</b></li> <li>• <b>Keep PTO shields and all guards in place.</b></li> <li>• <b>Disengage PTO, move the tractor controls to the Neutral position, stop the engine and make sure all rotating components are stopped before leaving the operator’s position.</b></li> <li>• <b>Do NOT service the tractor or implement with the PTO engaged.</b></li> <li>• <b>Do NOT service the implement in a raised position unless properly blocked and with all rotating components stopped.</b></li> <li>• <b>Disengage PTO for road travel.</b></li> </ul>	

### PTO Driveline Bottoming Out Check

Stop the engine and leave the operator’s position (See “Leaving The Operator’s Position” in Operation section).

Make sure the PTO driveline and all rotating components have come to a complete stop before leaving the operator’s position (if applicable).

**Figure 8**



1. Disconnect the PTO driveline from the tractor and slide the PTO driveline together until fully retracted (compressed).
2. Measure the retracted (compressed) length of PTO driveline [Figure 8].
3. Extend the PTO driveline 2 in. (50.8 mm) from the retracted length and place a mark on the inner guard at the end of the outer guard [Figure 8].
4. Reattach the PTO driveline to the tractor PTO shaft.
5. Enter the operator’s position. Start the engine.
6. With the rear PTO DISENGAGED, raise and lower the implement and watch the PTO driveline extend and retract.
7. If the outer PTO driveline guard slides in (retracts) over the mark at any point of travel, the PTO driveline needs to be shortened.

## Reducing The PTO Driveline Length

Stop the engine and leave the operator's position (See "Leaving The Operator's Position" in the Operation section). Make sure the PTO driveline and all rotating components have come to a complete stop before leaving the operator's position.

	WARNING
AVOID INJURY OR DEATH	
<ul style="list-style-type: none"> <li>• Do NOT exceed the rated implement PTO speed.</li> <li>• Stay clear of rotating driveline.</li> <li>• Keep bystanders away.</li> <li>• Keep hands, feet, clothing and long hair away.</li> <li>• Keep PTO shields and all guards in place.</li> <li>• Disengage PTO, move the tractor controls to the Neutral position, stop the engine and make sure all rotating components are stopped before leaving the operator's position.</li> <li>• Do NOT service the tractor or implement with the PTO engaged.</li> <li>• Do NOT service the implement in a raised position unless properly blocked and with all rotating components stopped.</li> <li>• Disengage PTO for road travel.</li> </ul>	

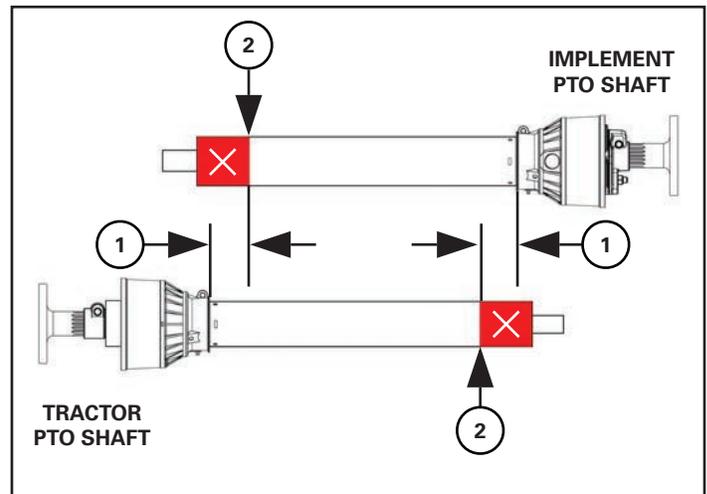
Remove the PTO driveline from the tractor and place in storage position (if equipped).

Enter the operator's position (See "Entering The Operator's Position" in the Operation section). Start the engine.

Raise or lower the three-point implement to get the shortest distance between the tractor PTO shaft and three-point implement gearbox PTO shaft. Stop the engine and leave the operator's position.

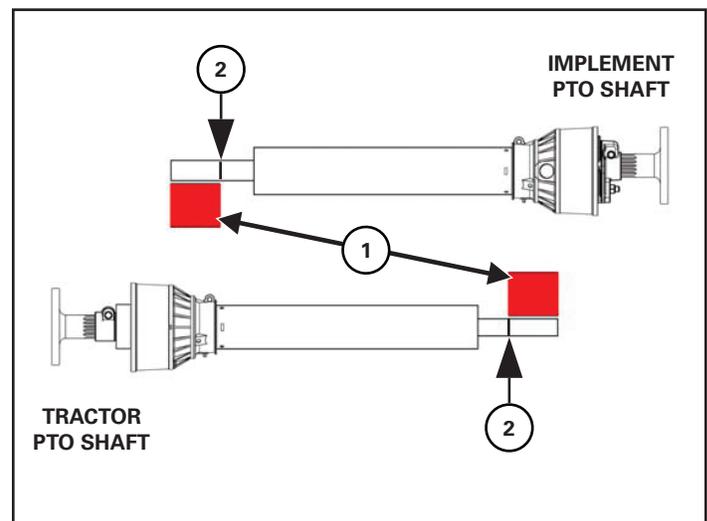
Pull the PTO driveline apart and reinstall each individual section; one half to the tractor PTO shaft and one half to the implement gearbox PTO shaft.

**Figure 9**



1. Hold PTO driveline sections parallel to one another and measure back 2 in. (50.8 mm) (Item 1) [Figure 9] from the yoke of each section and place mark on opposite section. Cut the plastic shield at this length (Item 2) [Figure 9].

**Figure 10**



2. Using the plastic guard lengths that were cut off in [Figure 9], align the cut off lengths (Item 1) [Figure 10] with the end of the inner & outer shafts. Place a mark (Item 2) [Figure 10] on the inner & outer shafts and cut the inner & outer shafts off at this length.
3. Round off all sharp edges and debur.
4. Thoroughly grease and install the PTO driveline halves together.
5. Recheck for proper operation.

### PTO Driveline Engagement Check

Stop the engine and leave the operator’s position (See “Leaving The Operator’s Position” in the Operation section).

Make sure the PTO driveline and all rotating components have come to a complete stop before exiting the tractor.

	WARNING
AVOID INJURY OR DEATH	
<ul style="list-style-type: none"> <li>• Do NOT exceed the rated implement PTO speed.</li> <li>• Stay clear of rotating driveline.</li> <li>• Keep bystanders away.</li> <li>• Keep hands, feet, clothing and long hair away.</li> <li>• Keep PTO shields and all guards in place.</li> <li>• Disengage PTO, move the tractor controls to the Neutral position, stop the engine and make sure all rotating components are stopped before leaving the operator’s position.</li> <li>• Do NOT service the tractor or implement with the PTO engaged.</li> <li>• Do NOT service the implement in a raised position unless properly blocked and with all rotating components stopped.</li> <li>• Disengage PTO for road travel.</li> </ul>	

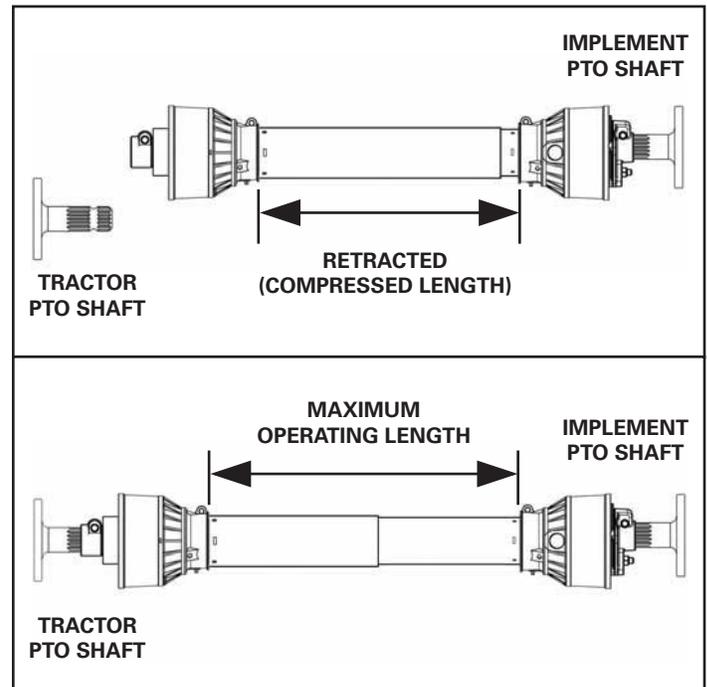
1. Disconnect the PTO driveline from the tractor and fully slide the driveline sections together (retracted).
2. Measure the retracted (compressed) length of the PTO driveline between the bases of the plastic guards [Figure 11].
3. Multiply the retracted driveline length by 1.667 to determine the PTO driveline Maximum Operating Length. (i.e.: 25.5 in. (647.7 mm) x 1.667= 42.5 in. (1079.7 mm) Maximum Operating Length).
4. Attach the PTO driveline to the tractor PTO output shaft.
5. Enter the operator’s position. (See “Entering The Operator’s Position” in the Operation section)

6. With the PTO driveline attached, position the three-point implement to where the telescoping PTO driveline is at its maximum operating extension.
7. Stop the engine and leave the operator’s position. Make sure the PTO driveline and all rotating components have come to a complete stop before leaving the operator’s position.
8. Measure the length of the PTO driveline between the bases of the plastic shields [Figure 11] to determine the maximum operating length.

If the measured maximum operating length is less than the Maximum Operating Length calculation (from Step 3), the PTO driveline has adequate engagement

If the measured maximum operating length is equal to or more than the Maximum Operating Length calculation (from Step 3), the PTO driveline does not have adequate engagement and should be replaced with a longer driveline. See your Farm King dealer for available PTO drivelines.

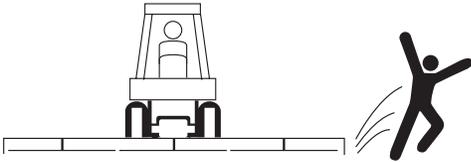
Figure 11



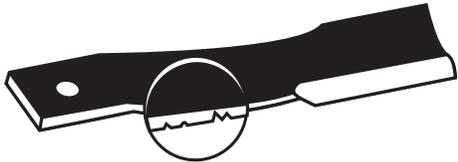


## Theory Of Operation

	<h1>CAUTION</h1>
<ul style="list-style-type: none"> <li>• Read operator and parts manual before operating the implement.</li> <li>• Do not permit riders.</li> <li>• Stop engine, set brake, remove key and wait for all moving parts to stop before servicing, adjusting, repairing and unplugging.</li> <li>• Remove bystanders, especially children, before starting or while operating.</li> <li>• Block up before working beneath unit.</li> <li>• Review safety instructions annually.</li> </ul>	

	<h1>DANGER</h1>
	
<h3>THROWN OBJECT HAZARD</h3>	
<p>To prevent serious injury or death from thrown objects:</p> <ul style="list-style-type: none"> <li>• Stay clear and watch out for bystanders. Stop if bystanders come close to work area. Keep all shields in place. Use protective shields on all discharge openings at front and rear of deck whenever possible.</li> <li>• Before working on mower: Disengage power, shut off engine, remove key and make sure all blades have stopped turning.</li> </ul>	

	<h1>DANGER</h1>
	
<h3>ROTATING BLADES CAN CAUSE SERIOUS INJURY OR DEATH</h3>	
<ul style="list-style-type: none"> <li>• Stay clear of rotating parts.</li> <li>• Blades may rotate for several minutes after power shut off.</li> <li>• Do not place hands or feet under or into cutter.</li> <li>• Disengage power, stop engine, set park brake, remove ignition key and make sure blades have stopped turning before leaving cab.</li> </ul>	

	<h1>DANGER</h1>
	
<h3>DAMAGED BLADES CAN CAUSE SERIOUS INJURY OR DEATH</h3>	
<ul style="list-style-type: none"> <li>• Inspect blades daily for chips, cracks, wear and abnormal bends.</li> <li>• Replace blades with genuine Farm King blades only.</li> <li>• Unbalanced blades are dangerous.</li> <li>• Replace blades in pairs.</li> </ul>	

### Starting Operation

1. Connect the mower to the tractor.
2. Move the tractor and mower to work area.
3. Lift wings to remove ressure on transport lock.
4. Lower wings to the ground (working position).
5. Adjust engine speed to low idle.
6. Slowly engage the tractor PTO to start blade rotation.
7. Slowly increase engine speed until PTO speed is 540 RPM. Do not exceed 540 RPM.

	WARNING
<p><b>AVOID INJURY OR DEATH</b></p> <ul style="list-style-type: none"> <li>Do NOT exceed 540 RPM PTO speed.</li> <li>Keep PTO shields and all guards in place.</li> <li>Keep away from moving parts.</li> <li>Keep bystanders away.</li> <li>Verify that the PTO driveline does not contact the cutter when raising and lowering or when cornering.</li> </ul>	

### Cutting Process

1. Start driving forward at the desired speed. Watch for and avoid obstructions and obstacles that may cause damage to the mower.

**NOTE:** Loss of power / PTO speed will result in uneven cutting. Adjust travel speed as required for material being cut, while maintaining the rated operating PTO speed (540 rpm PTO speed).

	IMPORTANT
<p>Recommended operating ground speed is 0 - 5 mph (0 - 8 km/h). Use slower speeds when operating on or near steep slopes, ditches, drop-offs, rough terrain, overhead obstructions, power lines, or when avoiding obstacles and other foreign debris.</p>	

## Finishing Operation

1. When the desired work has been completed, stop the tractor, lower the engine speed and disengage the tractor PTO.

	<b>CAUTION</b>
<p><b>Do not raise wings when the PTO is engaged. Damage to the tractor and implement may occur.</b></p>	

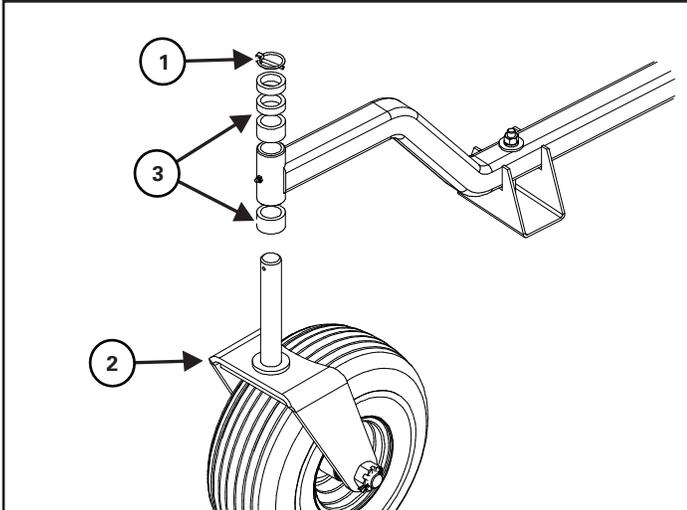
2. Fully raise the mower wings into the transport position and move the tractor and equipment to next work site.

## Adjusting Cutting Height

Park the tractor / equipment on a flat level surface.

Raise mowers off the ground enough to remove the wheel yokes.

Figure 12



Remove clip (Item 1) and remove wheel yoke (Item 2). Use 1/2" and 1" spacers (Item 3) to adjust the cutting height [Figure 12].

The cutting height is 1-3/4" with no spacers under the sleeve at the end of the axles. The maximum cutting height using the spacers is 4-3/4".

Check to see that the spacers are set at the same height on all mower wheel yokes.

## Transporting

Always comply with federal, state, local and provincial laws regarding the transport of farm equipment on public roadways.

	<b>WARNING</b>
<b>AVOID INJURY OR DEATH</b>	
<ul style="list-style-type: none"> <li>• Disengage PTO for road travel.</li> <li>• Keep PTO shields and all guards in place</li> <li>• Keep bystanders away.</li> <li>• Do not allow riders.</li> <li>• Always use hazard flashers on the tractor when transporting unless prohibited by law.</li> <li>• Always follow local regulations when transporting on public roadways. Check with your local authorities.</li> </ul>	

	<b>IMPORTANT</b>
<p><b>Never exceed 20 mph (32 kph).</b></p>	

	<b>WARNING</b>
<p><b>Use of an unapproved hitch or tractor / tow vehicle can result in loss of control, leading to serious injury or death.</b></p> <p><b>Tractor / tow vehicle and hitch must have the rated capacity to tow equipment.</b></p>	

Verify that the tractor / tow vehicle is approved for transporting the equipment and that the equipment is securely attached to the tractor / tow vehicle.

Verify safety chain is installed and properly connected before transporting equipment.

Verify that the SMV (Slow Moving Vehicle) emblem, all lights and reflectors are clean and visible.

The ratio of the tractor / tow vehicle weight to the loaded equipment weight plays an important role in defining acceptable travel speed.

**TRAVEL SPEED** - Acceptable travel speed.

**WEIGHT RATIO** - Weight of fully equipped or loaded implement(s) relative to weight of tractor / tow vehicle.

Travel Speed	Weight Ratio
20 mph (32 kph)	Less than 1 to 1
10 mph (16 kph)	Less than 2 to 1
DO NOT TOW	More than 2 to 1

# Maintenance

Troubleshooting.....	35
Service Schedule Chart.....	37
Service Recommendations.....	38
Lubrication.....	38
Drivelines.....	38
Wheel Hubs.....	39
Wing Pivot Pins.....	40
Deck Spindles.....	40
Gearbox.....	41
Splitter Gearbox.....	41
Deck Gearbox.....	41
Mower Decks.....	42
Blade Replacement.....	43
Axles.....	44
Tire / Wheel Replacement.....	44
Tire Pressure.....	44

# ALLIED

by **Farm King**



## Troubleshooting

	WARNING
<p><b>Instructions are necessary before operating or servicing equipment. Read and understand the Operator And Parts Manual and safety signs (decals) on equipment. Follow warnings and instructions in the manuals when making repairs, adjustments or servicing. Check for correct function after adjustments, repairs or service. Untrained operators and failure to follow instructions can cause injury or death.</b></p>	

If a problem is encountered that is difficult to solve, even after having read through this troubleshooting section, please call your local distributor or dealer. Before you call, please have this Operator And Parts Manual and the serial number of your machine at hand.

PROBLEM	CAUSE	CORRECTION
PTO driveline failure.	Shock load.	Avoid blades from contacting solid objects.
	PTO driveline dry.	Lubricate PTO driveline.
Bent PTO driveline shaft.	PTO driveline contacting tractor draw bar.	Re-position draw bar.
	PTO driveline bottoming out.	Shorten driveline.
	PTO driveline binding.	Lubricate PTO driveline.
PTO driveline telescoping tube failure.	Shock load.	Keep blades from contacting solid objects.
PTO driveline telescoping tube wearing.	PTO driveline dry.	Lubricate PTO driveline.
Gearbox seal leaking.	Gearbox over-filled.	Drain excess gear oil from gearbox.
	Damaged or worn seals.	Replace seals.
	Debris wrapped around shaft.	Remove debris and inspect seals. Replace as needed.
Blades do not rotate.	Tractor equipped with instant on PTO.	Engage PTO at low RPM, then slowly increase engine RPMs to full PTO speed.
	Tractor equipped with instant off PTO.	Decrease engine RPMs slowly to an idle before disengaging PTO.

PROBLEM	CAUSE	CORRECTION
Blades loosen during operation.	Blades not tightened correctly.	Tighten blades.
	PTO operating RPMs too high.	Lower RPMs speed to correct operating speed.
Blade carrier loose.	Shaft nut loose.	Tighten shaft nut to correct torque.
	Gearbox bearings or shaft damaged.	Replace bearings, shaft or gearbox as needed.
Damaged blade carrier.	Contacting solid objects.	Keep blades from contacting solid objects.
Excessive blade wear.	Scalping the ground / contacting solid objects.	Raise cutting height.
Blade bolts loosening.	Blade bolts not torqued properly.	Tighten blade bolts to proper torque.
	Lock nut worn out.	Replace lock nut.
	Cutting in very wet conditions.	Allow work area to dry.



## Service Schedule Chart

Maintenance work must be done at regular intervals. Failure to do so will result in excessive wear and early failures. The service schedule is a guide for correct maintenance of the equipment.

#	DESCRIPTION	SERVICE PROCEDURES					
		CHECK	CLEAN	LUBE	CHANGE	COVER	DRAIN
<b>Daily Maintenance (every 8 hours of use)</b>							
1	Tire Pressure	✓					
2	Wheel Bolts	✓					
3	Blades	✓					
4	Blade Pan	✓					
5	PTO Cross and Bearings			✓			
<b>BI-Weekly (or every 20 hours)</b>							
6	PTO Telescoping Tubes			✓			
7	PTO Quick Disconnect			✓			
8	PTO Guard Bushings			✓			
<b>Weekly (every 50 hours of use)</b>							
9	Wing Pivot Pins			✓			
10	Deck Spindles			✓			
11	Wheel Hubs			✓			
12	Gearboxes	✓		✓			
<b>Annually (every 500 hours of use)</b>							
13	Wheel Bearings	✓		✓			
14	Gearbox Oil	✓			✓		✓
15	Gearbox Splines	✓		✓			
16	Mower Pivot Ball Joints*			✓			

\*As per service schedule or as required

## Service Recommendations

Always use a good quality multi-purpose / lithium base grease when lubricating the equipment.

	<h1 style="margin: 0;">IMPORTANT</h1>
<p><b>Do not over-grease bearings. Greasing too often can damage seals and lead to premature bearing failure.</b></p>	

- Always use a hand-held grease gun.
- Clean fitting before greasing, to avoid injecting dirt and grit.
- Replace and repair broken fittings immediately.
- If fittings will not take grease, remove and clean thoroughly. Replace fitting if necessary.

	<h1 style="margin: 0;">WARNING</h1>
<h2 style="margin: 0;">AVOID INJURY OR DEATH</h2>	
<p><b>Stop engine, set brake, remove ignition key, and wait for all moving parts to stop before servicing, adjusting, repairing, or unplugging.</b></p> <p><b>Support the equipment with blocks or safety stands before working beneath it.</b></p> <p><b>Follow good shop practices:</b></p> <ul style="list-style-type: none"> <li>• Keep service area clean and dry</li> <li>• Be sure electrical outlets and tools are properly grounded</li> <li>• Use adequate light for the job.</li> </ul> <p><b>Use only tools, jacks, and hoists of sufficient capacity for the job.</b></p> <p><b>Replace and secure all shields removed during servicing before operating.</b></p> <p><b>Use heavy leather gloves to handle sharp objects.</b></p>	

## Lubrication

	<h1 style="margin: 0;">IMPORTANT</h1>
<p><b>Fluid such as engine oil, hydraulic fluid, coolants, grease, etc. must be disposed of in an environmentally safe manner. Some regulations require that certain spills and leaks on the ground must be cleaned in a specific manner. See local, state and federal regulations for the correct disposal.</b></p>	

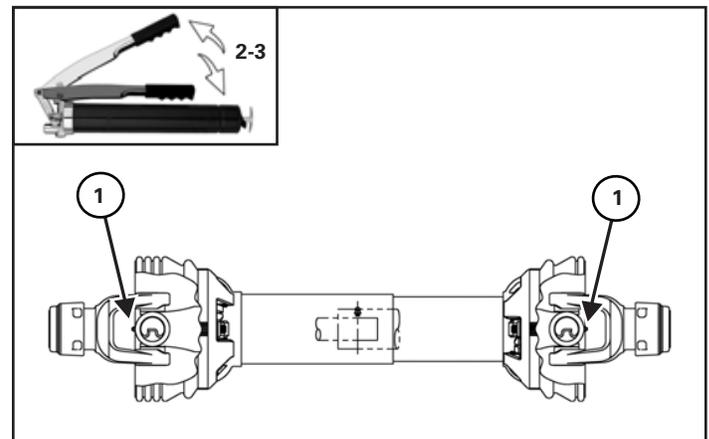
### Drivelines

Lubricate each driveline:

- Diveline to tractor
- Driveline link
- Driveline to left and right side decks
- Driveline to center deck

**Note:** Images may not show your exact PTO driveline but the procedure is correct.

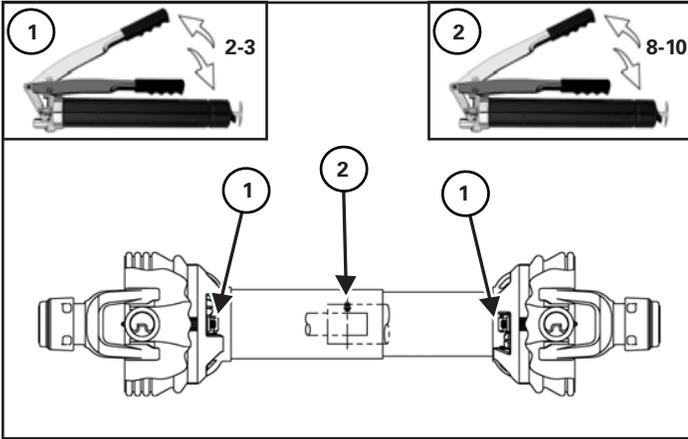
Figure 13



Apply two to three pumps of grease to the cross and bearings (Item 1) [Figure 13] on the PTO driveline.

Grease every **8 hours**.

**Figure 14**

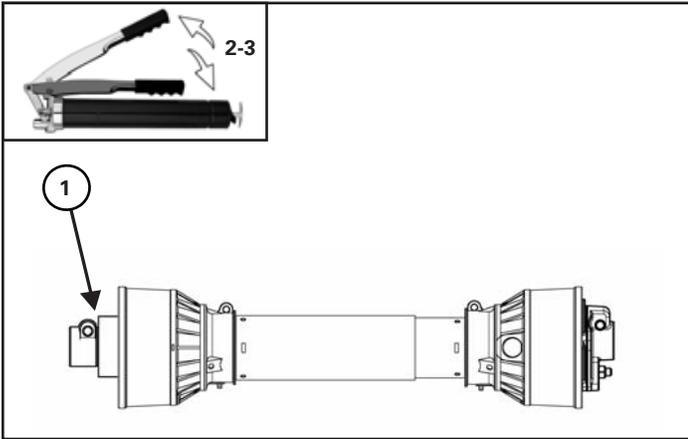


Apply two to three pumps of grease to the guard bushings (Item 1) [Figure 14].

Apply eight to ten pumps of grease to the telescoping member (Item 2) [Figure 14].

Grease every **20 hours**.

**Figure 15**

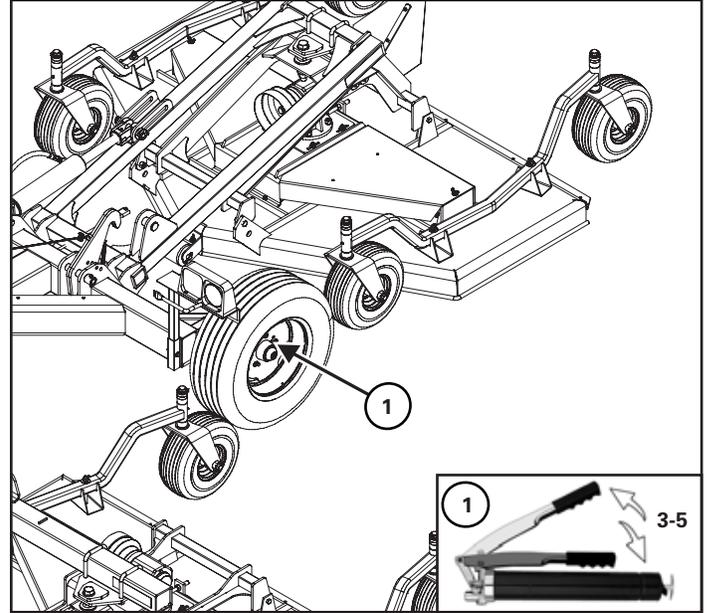


Apply two to three pumps of grease to the PTO quick disconnect (Item 1) [Figure 15].

Grease every **20 hours**.

**Wheel Hubs**

**Figure 16**

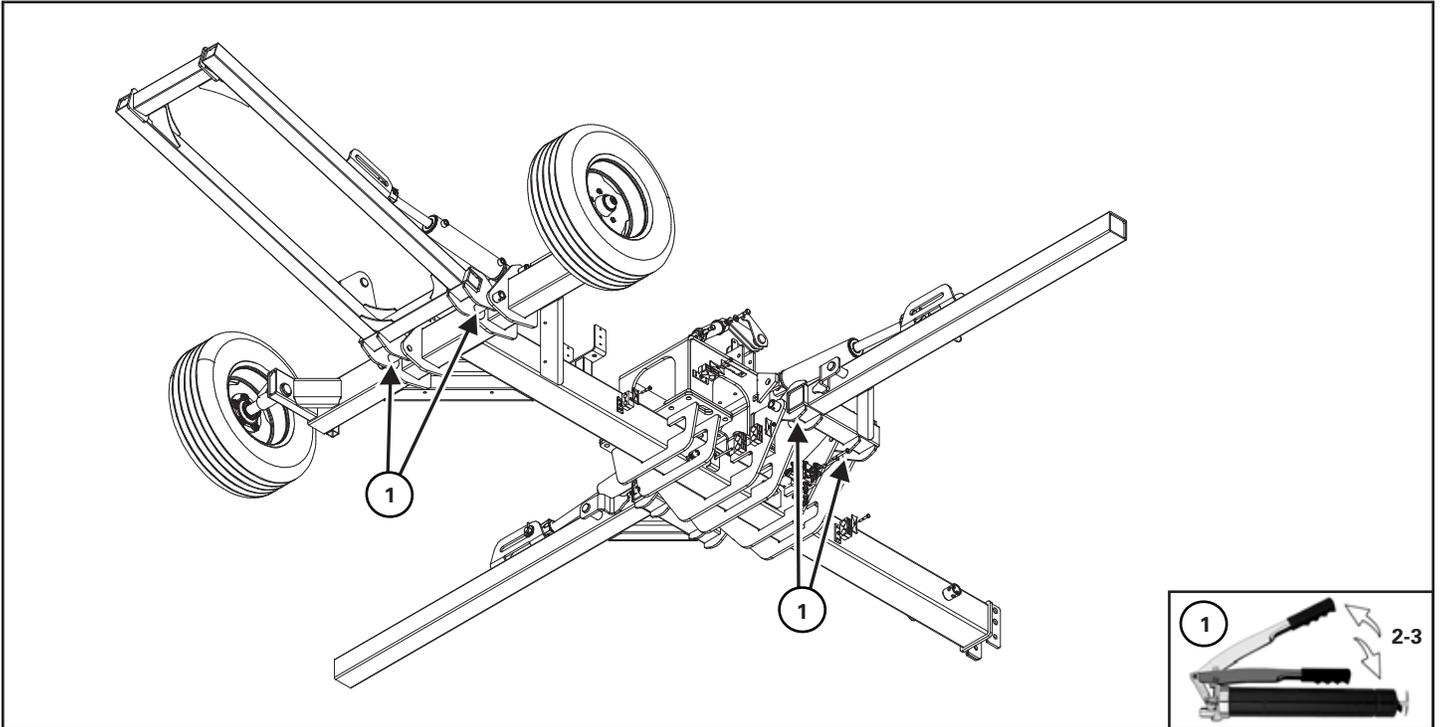


Apply three to five pumps of grease to the wheel hubs (Item 1) [Figure 16].

Grease every **50 hours**.

## Wing Pivot Pins

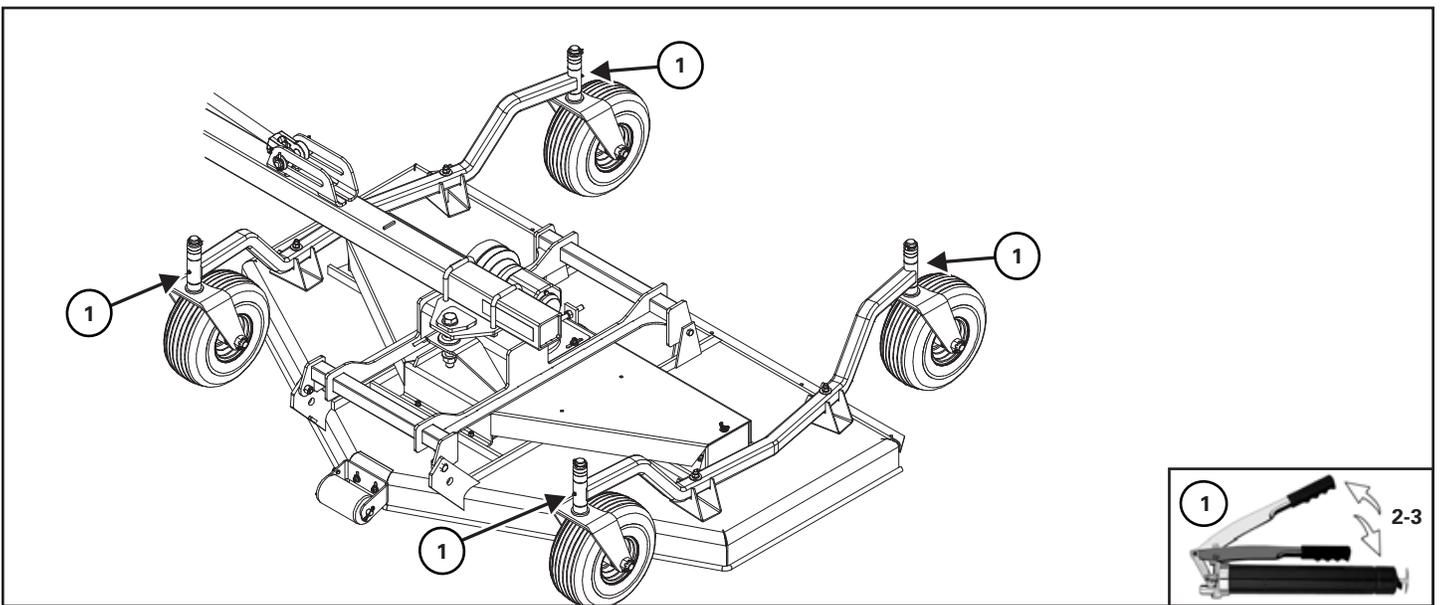
Figure 17



Apply two to three pumps of grease to the wing pivot pins (Item 1) [Figure 17]. Grease every **50 hours** of use.

## Deck Spindles

Figure 18



Apply two to three pumps of grease to the deck spindles (Item 1) [Figure 18]. Grease every **50 hours** of use.

## Gearbox



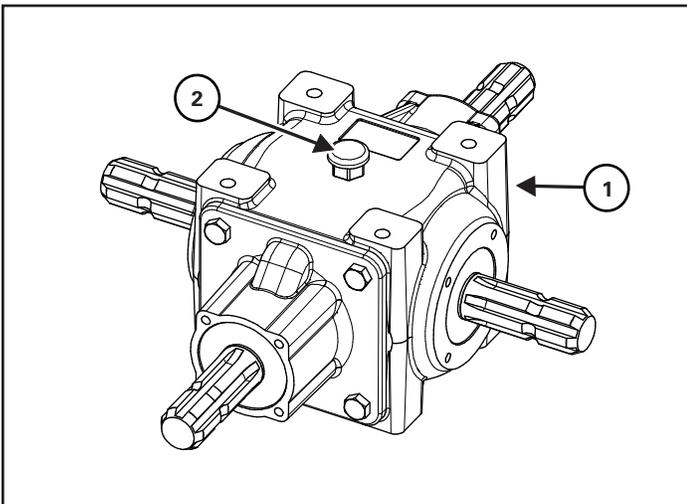
# IMPORTANT

Park the tractor and mower on a flat level surface.

Allow gear oil to settle into the bottom cavity of the gearbox for approximately 15-20 min. before checking level on dipstick.

### Splitter Gearbox

Figure 19



#### Check Oil Level

Remove check plug (Item 1) on the side of the gear box. The gear oil should be level with the plug hole [Figure 19].

#### Drain / Fill Oil

Remove the vent / fill plug (Item 2) on the top of the gear box [Figure 19].

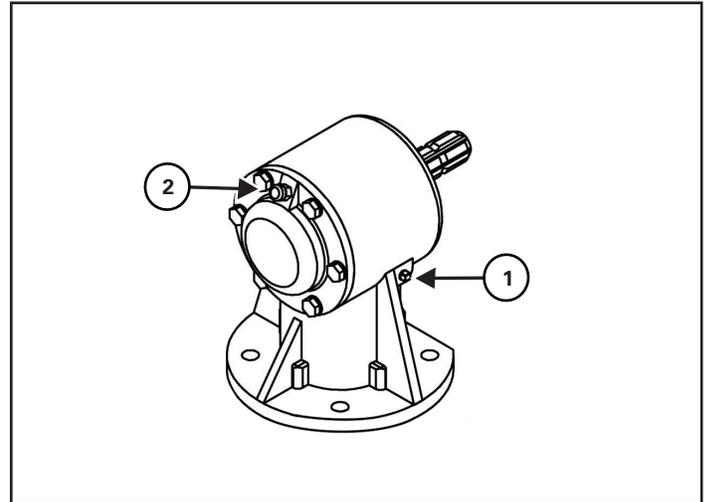
Place a collection container beneath the drain plug on the underside of the gearbox. Remove the drain plug and drain the gear oil into the container.

Reinstall drain plug once oil has been drained.

Add SAE 80W-90 gear oil to fill / vent plug until oil is level with check plug. Reinstall fill / vent plug and check plug.

### Deck Gearbox

Figure 20



#### Check Oil Level

Remove check plug (Item 1) on the side of the gear box. The gear oil should be level with the plug hole [Figure 19].

#### Drain / Fill Oil

Remove the vent / fill plug (Item 2) on the top of the gear box [Figure 19].

Place a collection container beneath the drain plug on the underside of the gearbox. Remove the drain plug and drain the gear oil into the container.

Reinstall drain plug once oil has been drained.

Add SAE 80W-90 gear oil to fill / vent plug until oil is level with check plug. Reinstall fill / vent plug and check plug.



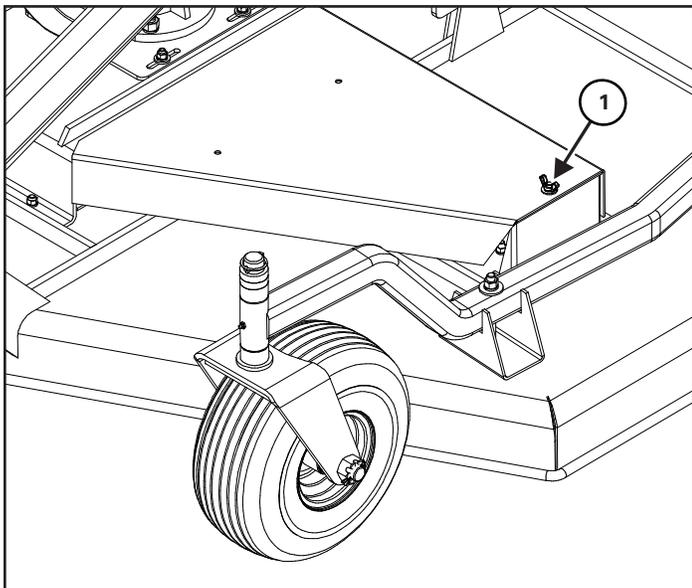
# IMPORTANT

Fluid such as engine oil, hydraulic fluid, coolants, grease, etc. must be disposed of in an environmentally safe manner. Some regulations require that certain spills and leaks on the ground must be cleaned in a specific manner. See local, state and federal regulations for the correct disposal.

## Mower Decks

### Belt Replacement and Adjustment

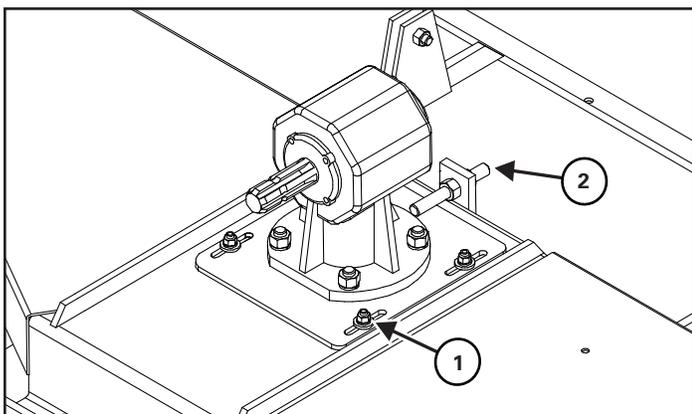
**Figure 21**



Remove the 3/8" wing nut (Item 1) and 7/8" flat washer from the belt guards **[Figure 21]**.

Remove the belt guards from the mower deck.

**Figure 22**

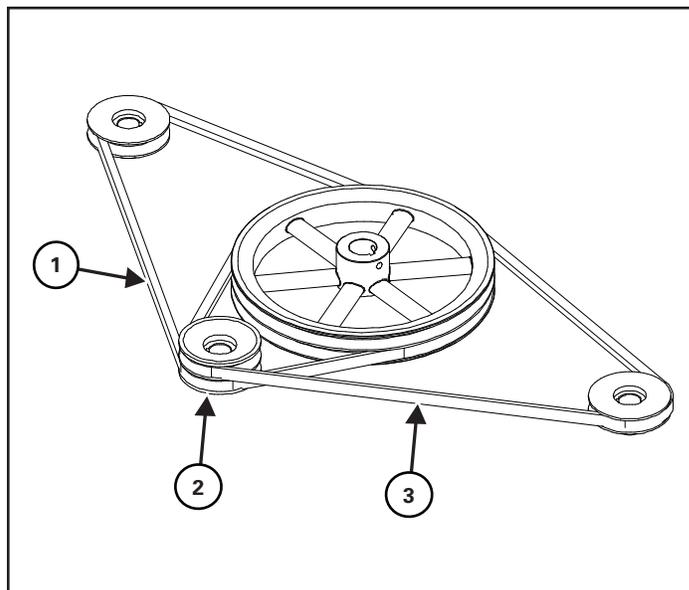


Loosen the four 3/8" hex nuts (Item 1) on the gearbox base plate. Do not remove nuts **[Figure 22]**.

Loosen the two 5/8" hex nuts on the adjustment rod (Item 2) to create slack in the belts. Do not remove nuts **[Figure 22]**.

Slip the belts off of the pulleys and remove.

**Figure 23**



Replace the belts.

Route one belt (Item 1) around the lower groove of the double pulley (Item 2), the large pulley, and around the lower single pulley **[Figure 23]**.

Route one belt (Item 3) around the upper groove of the double pulley (Item 2), the large pulley, and around the upper single pulley **[Figure 23]**.

Re-tighten the two 5/8" hex nuts on the adjustment bolt to tighten the belts.

The center of each belt span should deflect about 1/2" when applying pressure.

Retighten the four 3/8" hex nuts on the gearbox mounting plate.

## Blade Replacement

Fully raise the mower deck to allow access to the blades.

The mower deck must be securely blocked up or locked in place before doing a blade replacement.

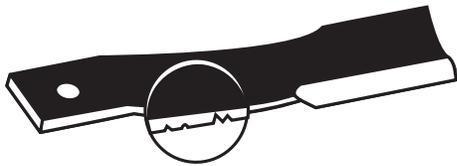


## IMPORTANT

Always use lifting devices, vehicles, chains, or straps of adequate size and strength when unloading and assembling components.



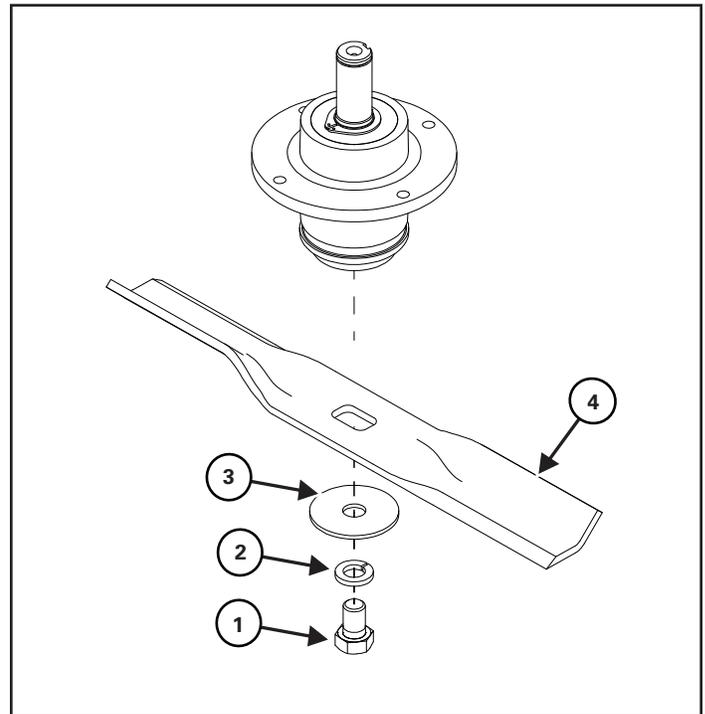
## DANGER



### DAMAGED BLADES CAN CAUSE SERIOUS INJURY OR DEATH

- Inspect blades daily for chips, cracks, wear and abnormal bends.
- Do not modify blades in any way such as sharpening, straightening, or welding.
- Replace blades with genuine Farm King blades only.
- Unbalanced blades are dangerous.
- Replace all three sets of blades per mower deck at once to maintain proper balance.

**Figure 24**

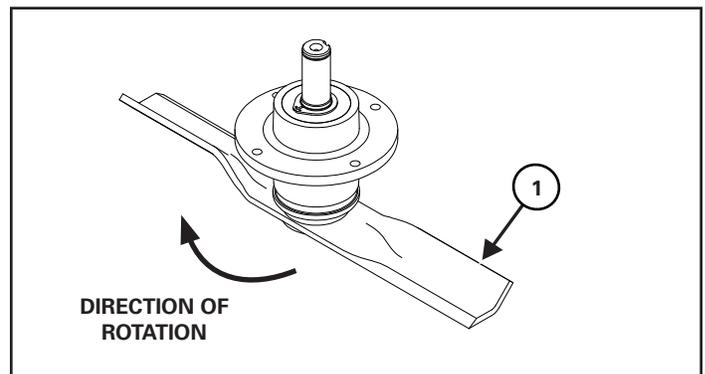


Remove the blade retaining hardware:

- 5/8" x 1" Gr. 8 hex bolt (Item 1)
- 5/8" extra heavy lock washer (Item 2)
- 2-1/2" OD x 21/32" ID flat washer (Item 3)

Remove the blade pair (Item 4) [Figure 24].

**Figure 25**



Position the new blade pair (Item 1) and reinstall hardware [Figure 25].

The replacement blade must be angled towards the direction of rotation.

Torque the 5/8" x 1" Gr. 8 hex bolt to 180 FT LBS.

## Axles

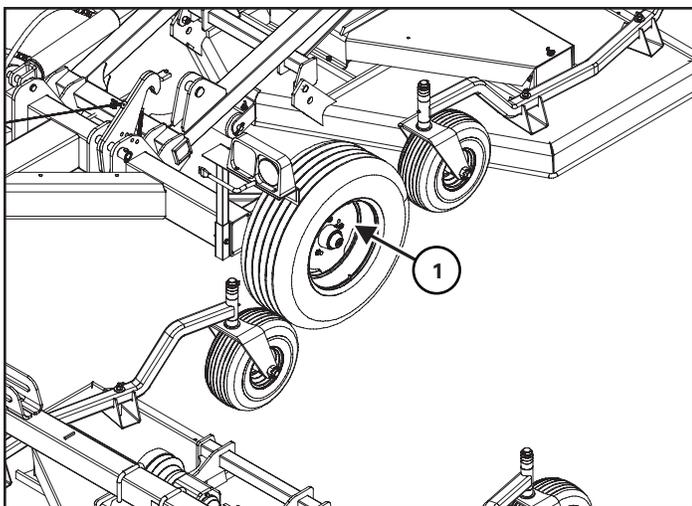
### Tire / Wheel Replacement

Place chock blocks behind and in front of the opposite tire to be removed.

Place a jack under the axle frame close to the tire / wheel being replaced. Raise the jack until the tire / wheel is slightly off the ground.

**NOTE:** Place blocks under the frame to help secure the Rotary Cutter when tire / wheel is raised off the ground.

Figure 26



Remove the five wheel nuts (Item 1) and remove the tire / wheel [Figure 26].

Position the new tire / wheel and reinstall when nuts.

Tighten wheel nuts in a criss-cross pattern. Torque to 93 ft. lb. (126 N•m).

### Wheel Bearings

Inspect and re-pack the wheel bearings annually with a quality SAE multi purpose type grease.

### Tire Pressure

Check tire pressure daily.

Fill tires to 30 psi (207 kpa).



## CAUTION



When inflating tires, use a clip-on chuck and extension hose long enough to allow you to stand to one side and NOT in front of or over the tire assembly.



## Parts Identification

General Parts Information.....	47
Main Frame and Light Kit.....	47
Transport Lock.....	50
Mower Mounts.....	52
Center Mower Deck - 465, 565.....	54
Center Mower Deck - 665, 765.....	58
Left / Right Mower Deck - 465, 565.....	62
Left / Right Mower Deck - 665, 765.....	66
Hydraulic Cylinders and Valve.....	70
Hydraulic Fittings and Hoses.....	72
PTO Guards.....	74
PTO - F2359 (To Tractor).....	76
PTO - F2360 (Link).....	77
PTO - F2361 (To Left / Right Deck, 465).....	78
PTO - F2362 (To Left / Right Deck, 565).....	79
PTO - F2363 (To Left / Right Deck, 665).....	80
PTO - F2364 (To Left / Right Deck, 765).....	81
PTO - F2365 (To Center Deck, 465 & 565).....	82
PTO - F2366 (To Center Deck, 665 & 765).....	83

# ALLIED

by **Farm King**

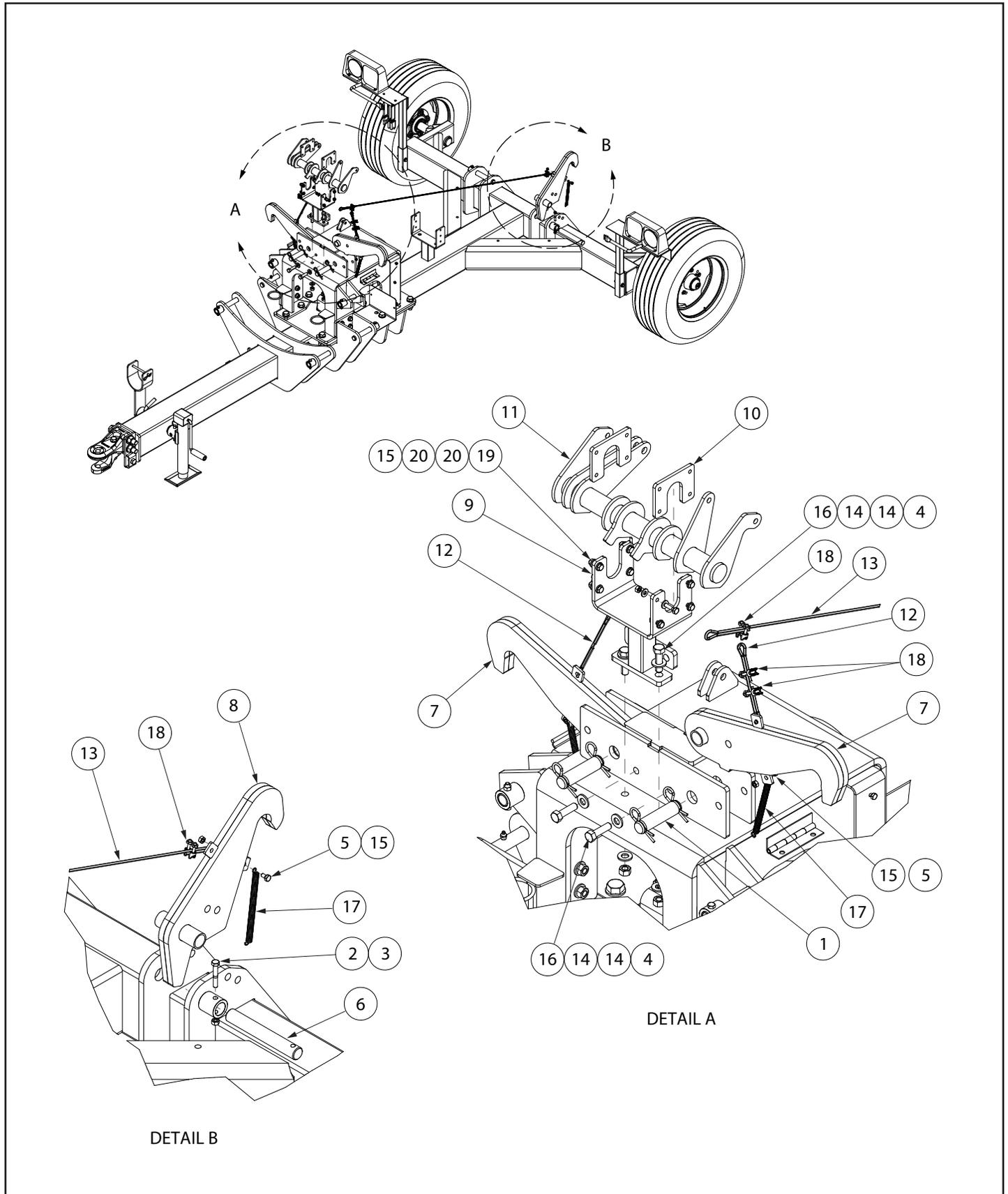




ITEM	PART NUMBER	DESCRIPTION	QTY.
1	12779	#9 HAIR PIN CLIP (PL)	1
2	12780	#7 HAIR PIN CLIP	1
3	810010	NUT-SLOTTED 7/8 UNF (BR)	2
4	810640	5/16" X 2" HEX BOLT (PL)	6
5	810958	3/8" X 2 1/4" HEX BOLT (PL)	2
6	811751	3/4" X 5" HEX BOLT (PL)	1
7	812362	5/16" LOCK NUT (PL)	6
8	812363	3/8" LOCK NUT (PL)	2
9	812364	1/2" LOCK NUT (PL)	10
10	812365	3/4" LOCK NUT (PL)	16
11	812482	5/8" LOCK NUT (PL)	2
12	812510	WASHER - FLAT M8	8
13	812537	NUT LOCK (NYLON) 0.136 NC GRB PL	2
14	812639	WASHER 0.625 SAE FLAT BS PL	2
15	813430	BOLT HEX M8X1.25X20 8.8 PL	8
16	813958	SCREW MACH #8-32 X 0.75 FLATHD	2
17	814193	ENHANCED AG LIGHTING MODULE	1
18	814195	LAMP-AG/DUAL/RH/4-WAY WP	1
19	814196	LAMP-AG/DUAL/LH/4-WAY WP	1
20	81525	1/4" X 3/4" HEX BOLT (PL)	10
21	81619	1/2" X 1" HEX BOLT (PL)	4
22	81627	1/2" X 3" HEX BOLT (PL)	2
23	81684	3/4" X 2 1/4" HEX BOLT (PL)	1
24	819071	SHIELD - ROTARY CUTTER PTO	2
25	819125	GEARBOX - 1:1 4-WAY SPLITTER	1
26	819140	WELDMENT - TRIPLEX TRAILER	1
27	819142	WELDMENT - TRIPLEX TOWER	1
28	819177	PIN - 1.0 DIA X 6.5LG 1 HOLE	6
29	819193	PLATE - PTO BOTTOM SHIELD	2
30	819141	WELDMENT - 4'5' TRIPLEX WING LEFT (YT465 ANDYT565)	1
	819276	WELDMENT - 6'7' TRIPLEX WING LEFT (YT665 ANDYT765)	1
31	819187	WELDMENT - 4'5' TRIPLEX WING RIGHT (YT465 ANDYT565)	1
	819282	WELDMENT - 6'7' TRIPLEX WING RIGHT (YT665 ANDYT765)	1
32	819168	WELDMENT - 4'5' TRIPLEX WING CENTER (YT465 ANDYT565)	1
	819284	WELDMENT - 6'7' TRIPLEX WING CENTER (YT665 ANDYT765)	1
33	819374	WELDMENT - PTO HOLDER	1
34	819525	WELDMENT - LIGHT MOUNT RIGHT	1
35	819526	WELDMENT - LIGHT MOUNT LEFT	1
36	819544	HARNESS - MAIN 7 PIN PLUG 200"L	1
37	819545	HARNESS - CROSS 4 PIN WP 105"L	1
38	819585	OIL BREATHER DIPSTICK PLUG 1/2" GAS	1

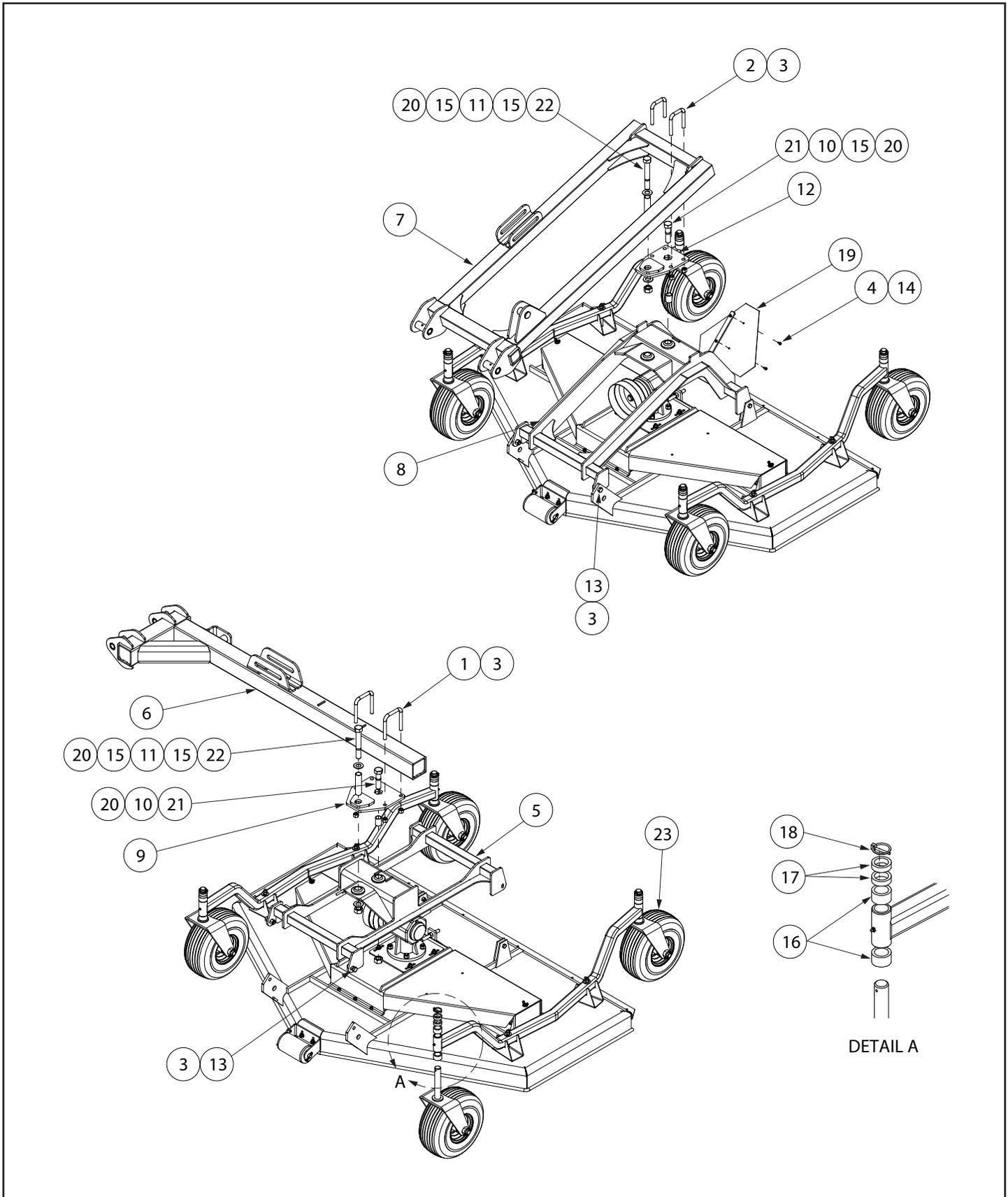
ITEM	PART NUMBER	DESCRIPTION	QTY.
39	819607	HITCH - CAT II	1
40	819618	CLEVIS - BOLT ON	1
41	84039	WASHER - 3/8" SAE FLAT (PL)	4
42	84048	1/2" SAE FLAT WASHER (PL)	20
43	84050	3/4" S.A.E. FLAT WASHER (PL)	30
44	84270	5/8" X 1 3/4" HEX BOLT (PL)	2
45	84346	3/4" X 2 1/2" HEX BOLT (PL)	15
46	84498	1/4" LOCK NUT (PL)	10
47	84522	1" ID SAE FLAT WASHER (PL)	4
48	84583	SCREW IN GREASE FITTING	6
49	87553	1/2" X 1.75" HEX BOLT UNC GR5 (PL)	8
50	909277	MANUAL HOLDER 3 1/2" X 12"	1
51	910287	HOOK & SAFETY CHAIN ASSEMBLY	1
52	910288	LOCKING PIN	1
53	913029	WELDMENT-CLEVIS PIN	1
54	915668	SHAFT-REMOVABLE SGL SPINDLE	2
55	915679	HUB-HA517	2
56	921284	JACK-5000 LB CAP, SIDE CRANK	1
57	967148	1" LOCK NUT (PL)	2
58	967230	1" X 7" HEX BOLT (PL)	2
59	967490	HOUSING W/ BRNG PILLOW	1
60	967713	7/8" SAE FLAT WASHER (BR)	2
61	9812486	1/8" X 1 1/2" COTTER PIN (BR)	2
62	F6613	15" TIRE & WHEEL	2

# Transport Lock



ITEM	PART NUMBER	DESCRIPTION	QTY.
1	103753	CLEVIS PIN 1"Ø X 4"	2
2	810640	5/16" X 2" HEX BOLT (PL)	2
3	812362	5/16" LOCK NUT (PL)	1
4	812364	1/2" LOCK NUT (PL)	4
5	81523	1/4" X 1/2" HEX BOLT (PL)	6
6	819177	PIN - 1.0 DIA X 6.5LG 1 HOLE	1
7	819185	WELDMENT - WING TRANSPORT LOCK	2
8	819186	WELDMENT - CENTER TRANSPORT LOCK	1
9	819205	WELDMENT - LOCK RELEASE STAND	1
10	819206	PLATE - TRANSPORT LOCK CLAMP	2
11	819208	WELDMENT - TRANSPORT LOCK RELEASE	1
12	819209	CABLE - WING LOCK RELEASE	2
13	819210	CABLE - CENTER LOCK RELEASE	1
14	84048	1/2" SAE FLAT WASHER (PL)	8
15	84498	1/4" LOCK NUT (PL)	12
16	87553	1/2" X 1.75" HEX BOLT UNC GR5 (PL)	4
17	960135	PTO SHLD SPRG (#661)	3
18	965806	3/16" CBLE CLP	6
19	81527	1/4" X 1" HEX BOLT (PL)	8
20	812624	1/4" FLAT WASHER (PL)	16

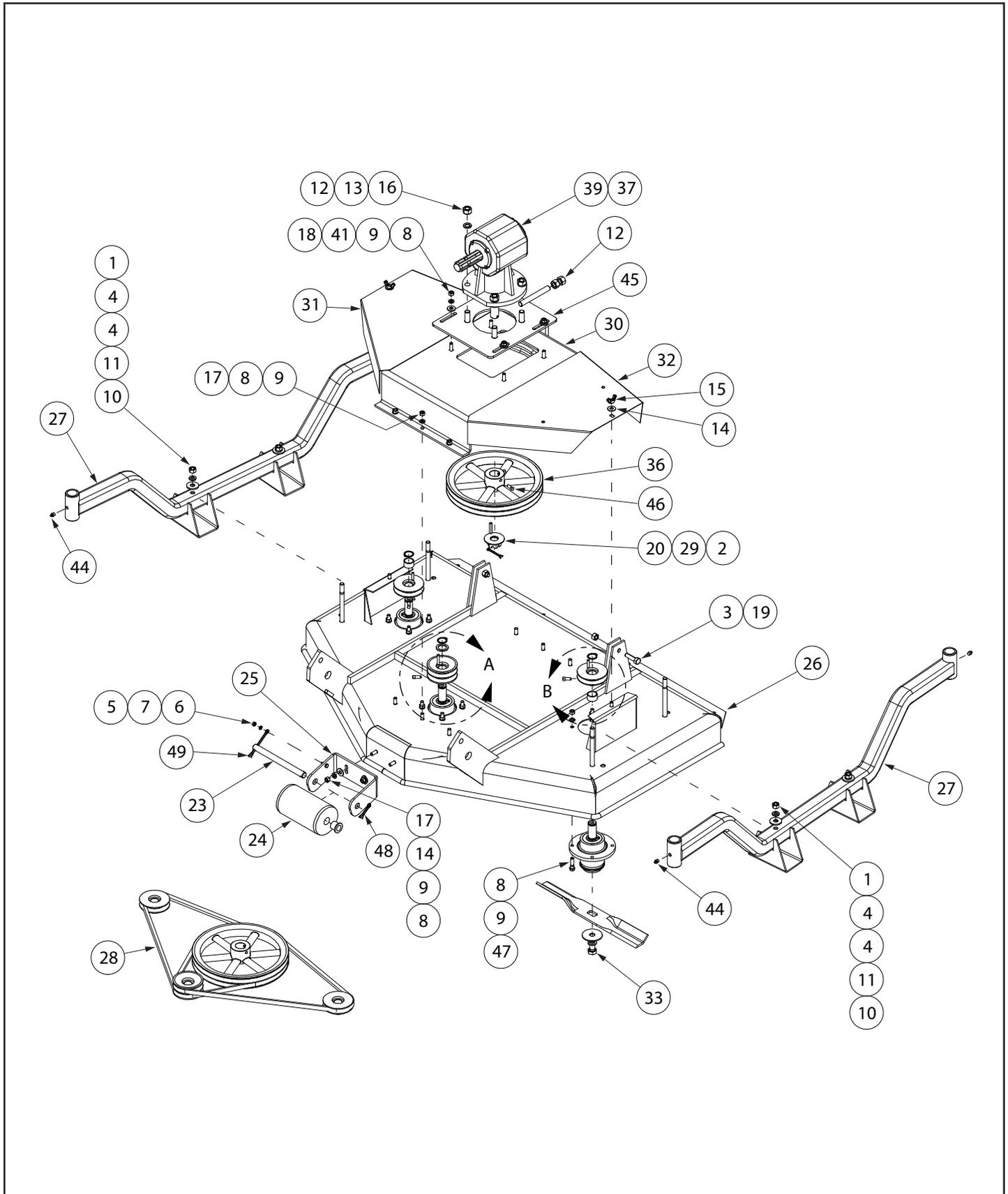
# Mower Mounts

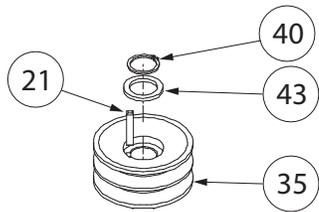




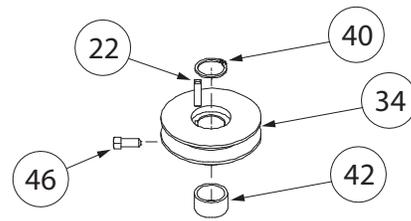
ITEM	PART NUMBER	DESCRIPTION	QTY.
1	112988	U Bolt 0.63 x 4.06 x 5.25	4
2	113172	U Bolt 0.625 x 4.5 x 3.06	2
3	812482	5/8" LOCK NUT (PL)	16
4	81525	1/4" X 3/4" HEX BOLT (PL)	4
5	819216	WELDMENT - 4' MOWER RACK SIDE (YT465)	2
	819118	WELDMENT - 5' MOWER RACK SIDE (YT565)	2
	819298	WELDMENT - 6' MOWER RACK SIDE (YT665)	2
	819270	WELDMENT - 7' MOWER RACK SIDE (YT765)	2
6	819141	WELDMENT - 4'/5' TRIPLEX WING LEFT (YT465 ANDYT565)	1
	819276	WELDMENT - 6'/7' TRIPLEX WING LEFT (YT665 ANDYT765)	1
	819187	WELDMENT - 4'/5' TRIPLEX WING RIGHT (YT465 ANDYT565)	1
	819282	WELDMENT - 6'/7' TRIPLEX WING RIGHT (YT665 ANDYT765)	1
7	819168	WELDMENT - 4'/5' TRIPLEX WING CENTER (YT465 ANDYT565)	1
	819284	WELDMENT - 6'/7' TRIPLEX WING CENTER (YT665 ANDYT765)	1
8	819129	WELDMENT - 4' MOWER RACK CENTER (YT465)	1
	819164	WELDMENT - 5' MOWER RACK CENTER (YT565)	1
	819301	WELDMENT - 6' MOWER RACK CENTER (YT665)	1
	819290	WELDMENT - 7' MOWER RACK CENTER (YT765)	1
9	819449	WELDMENT - SIDE PIVOT PAD	2
10	819454	BUSHING - 1.25 OD X 1.03 ID X 1.70 L	3
11	819455	BUSHING - 1.25 OD X 1.03 ID X 5.00 L	3
12	819465	WELDMENT - REAR PIVOT PAD	1
13	84270	5/8" X 1 3/4" HEX BOLT (PL)	8
14	84498	1/4" LOCK NUT (PL)	2
15	84522	1" ID SAE FLAT WASHER (PL)	7
16	902503	WHEEL HEIGHT SPACER 1.750" DIA	24
17	902504	WHEEL HEIGHT SPACER 1.750" DIA	24
18	966729	3/16" LINCH PIN (PL)	12
19	967066	SLOW MOVING VEHICLE SIGN	1
20	967148	1" LOCK NUT (PL)	6
21	967228	BOLT HEX 1.000NC X 4.00GR5 PL	3
22	967230	1" X 7" HEX BOLT (PL)	3
23	F6651	YOKE WHEEL ASSEMBLY	12

# Center Mower Deck - 465, 565





DETAIL A

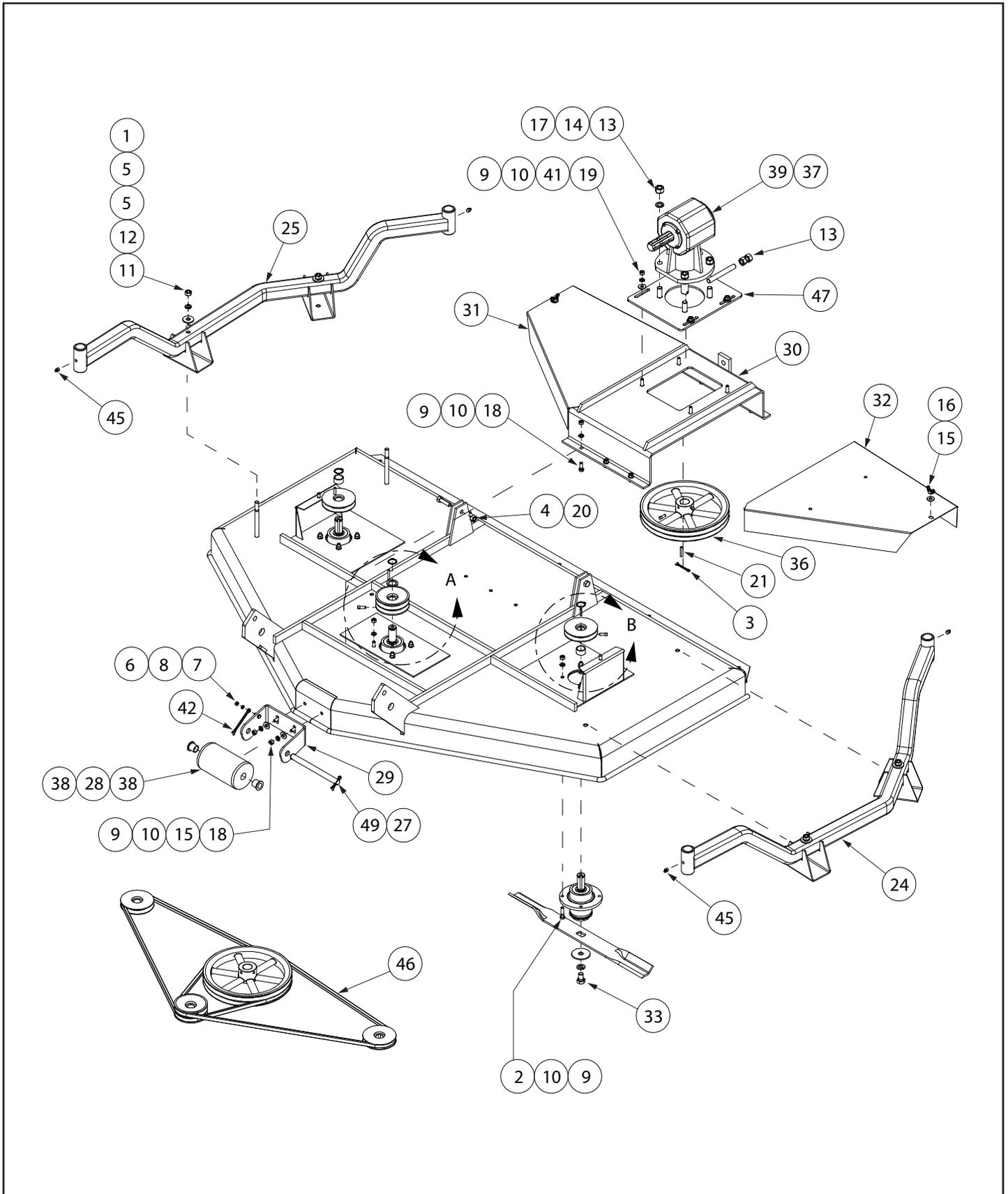


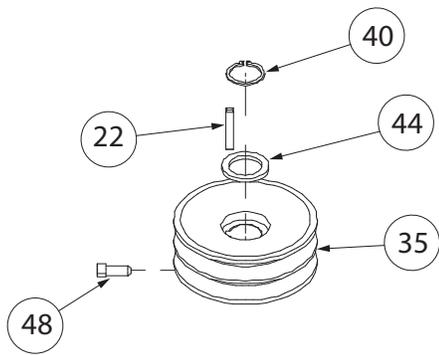
DETAIL B

ITEM	PART NUMBER	DESCRIPTION	QTY.
1	811646	1/2" X 6" HEX BOLT (PL)	4
2	81207	3/16" X 2" COTTER PIN (BR)	1
3	812364	1/2" LOCK NUT (PL)	2
4	812769	1 1/2"OD X 9/16"ID X 10GA WASHER (PL)	8
5	81525	1/4" X 3/4" HEX BOLT (PL)	1
6	81544	1/4" HEX NUT (PL)	1
7	81545	1/4" LOCK WASHER (PL)	1
8	81592	3/8" HEX NUT (PL)	24
9	81593	3/8" LOCK WASHER (PL)	24
10	81636	1/2" HEX NUT (PL)	4
11	81637	1/2" LOCK WASHER (PL)	4
12	81676	5/8" HEX NUT (PL)	6
13	81677	WASHER LOCK 0.625 PL	4
14	84000	7/16" FLAT WASHER (PL)	4
15	84217	3/8" WING NUT (PL)	2
16	84270	5/8" X 1 3/4" HEX BOLT (PL)	4
17	86170	3/8" X 1" HEX BOLT GR.5 (PL)	8
18	86182	3/8 X 1 1/4 CARRIAGE BOLT (PL)	4
19	87553	1/2" X 1.75" HEX BOLT UNC GR5 (PL)	2
20	900929	1/4" x 1/4" x 1-5/8" KEY	1
21	900930	1/4" X 1/4" X 1-1/2" KEY	1
22	900931	1/4" X 1/4" X 1 7/64" KEY	2
23	903104	ROLLER PIN 0.750" DIA	1
24	903105	ROLLERTUBE Ø4" X 6 15/16"	1
25	903488	ROLLER HOLDER	1
26	903815	DECK WELDMENT - 465	1
	902667	DECK WELDMENT - 565	1
27	903834	AXLE BEAM WELDMENT - 465	2
	902425	AXLE BEAM WELDMENT - 565	2
28	904250	V-BELT B61 - 465	2
	904251	V-BELT B70 - 565	2
29	905247	1" SLOT HEX NUT WELDT INCL. W/ GBOX	1
30	906342	GEARBOX MOUNTING PLATE WELDMENT - 465	1
	906343	GEARBOX MOUNTING PLATE WELDMENT - 565	1
31	906346	PULLEY GUARD WELDMENT (RH) - 465	1
	906353	PULLEY GUARD WELDMENT (RH) - 565	1
32	906347	PULLEY GUARD WELDMENT (LH) - 465	1
	906354	PULLEY GUARD WELDMENT (LH) - 565	1
33	906363	SPINDLE ASSEMBLY - 465	1
	906364	SPINDLE ASSEMBLY - 565	1

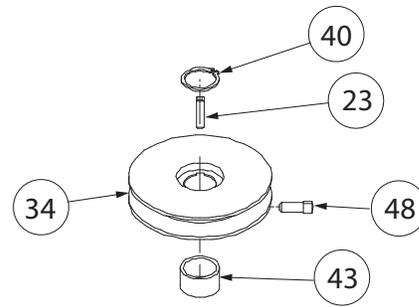
ITEM	PART NUMBER	DESCRIPTION	QTY.
34	906551	SHEAVE - SINGLE 3 3/4" - 465	2
	906553	SHEAVE- SINGLE 4 1/2" - 565	2
35	906552	SHEAVE - DOUBLE 3 3/4" - 465	1
	906554	SHEAVE - DOUBLE Ø4 1/2" X 2.3" - 565	1
36	906582	SHEAVE-DOUBLE 12"	1
37	908725	SAE 80W-90 GEAR OIL	0.5
38	909008	RUBBER ROLLER RETAINER CASTING Ø1 5/16"OD X 1"	2
39	911377	GEARBOX (WITHOUT OIL)	1
40	912301558	SNAP RING	3
41	964001	1" X 7/16" X 10GA FLAT WASHER (PL)	4
42	966811	SHEAVE SPACER Ø1.25"OD X 0.7"	2
43	967134	1" X 10GA FLAT WASHER (BR)	1
44	967164	DRIVE-IN GREASE ZERK	4
45	980004200	GEARBOX BASE PL WELDT	1
46	9810943	5/16" X 3/4" SQ HD SET SCREW (BR)	8
47	9812357	3/8" X 1 1/2" HEX BOLT (BR)	12
48	9812434	1/4" X 1 1/2" COTTER PIN (PL)	1
49	9812436	1/4" X 2 1/2" COTTER PIN (PL)	1

# Center Mower Deck - 665, 765





DETAIL A



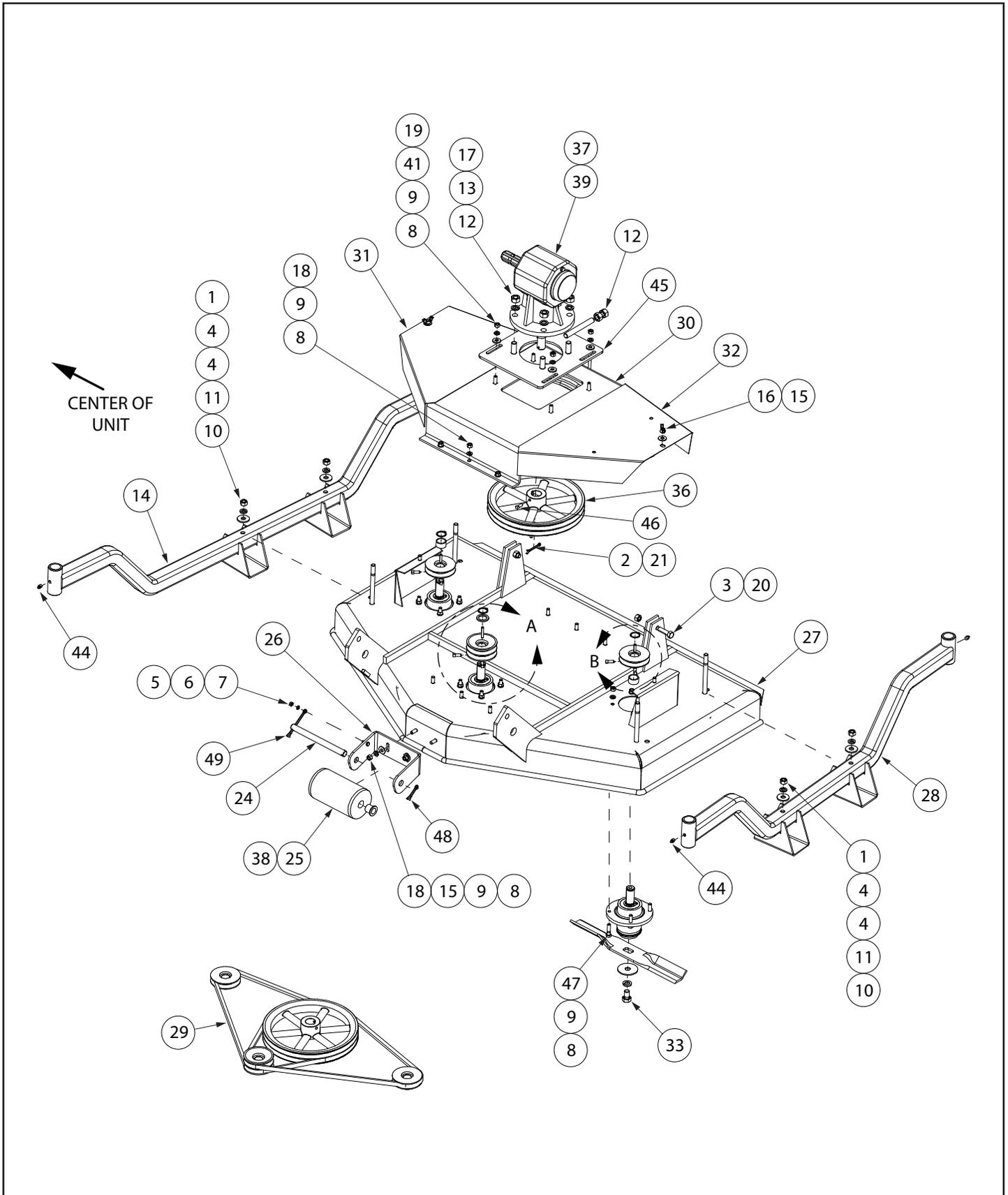
DETAIL B

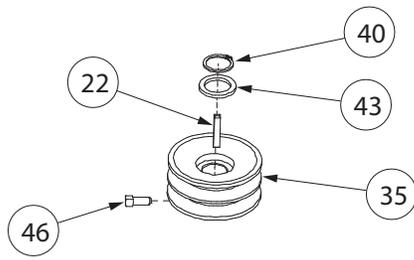
ITEM	PART NUMBER	DESCRIPTION	QTY.
1	811646	1/2" X 6" HEX BOLT (PL)	4
2	811792	3/8" X 1 1/2" HEX BOLT GR.5 (PL)	12
3	81207	3/16" X 2" COTTER PIN (BR)	1
4	812364	1/2" LOCK NUT (PL)	2
5	812769	1 1/2"OD X 9/16"ID X 10GA WASHER (PL)	8
6	81525	1/4" X 3/4" HEX BOLT (PL)	1
7	81544	1/4" HEX NUT (PL)	1
8	81545	1/4" LOCK WASHER (PL)	1
9	81592	3/8" HEX NUT (PL)	24
10	81593	3/8" LOCK WASHER (PL)	24
11	81636	1/2" HEX NUT (PL)	4
12	81637	1/2" LOCK WASHER (PL)	4
13	81676	5/8" HEX NUT (PL)	6
14	81677	WASHER LOCK 0.625 PL	4
15	84000	7/16" FLAT WASHER (PL)	4
16	84217	3/8" WING NUT (PL)	2
17	84270	5/8" X 1 3/4" HEX BOLT (PL)	4
18	86170	3/8" X 1" HEX BOLT GR.5 (PL)	8
19	86182	3/8 X 1 1/4 CARRIAGE BOLT (PL)	4
20	87553	1/2" X 1.75" HEX BOLT UNC GR5 (PL)	2
21	900929	1/4" x 1/4" x 1-5/8" KEY	1
22	900930	1/4" X 1/4" X 1-1/2" KEY	1
23	900931	1/4" X 1/4" X 1 7/64" KEY	2
24	902430	AXLE BEAM (LH) WELDMENT - 665	1
	902433	AXLE BEAM WELDMENT - 765	1
25	902431	AXLE BEAM (RH) WELDMENT - 665	1
	902433	AXLE BEAM WELDMENT - 765	1
26	902668	DECK WELDMENT - 665	1
	902669	DECK WELDMENT - 765	1
27	903104	ROLLER PIN 0.750" DIA	1
28	903105	ROLLERTUBE Ø4" X 6 15/16"	1
29	903488	ROLLER HOLDER	1
30	906343	GEARBOX MOUNTING PLATE WELDMENT	1
31	906355	PULLEY GUARD (RH) WELDMENT - 665	1
	902269	PULLEY GUARD (RH) WELDMENT - 765	1
32	906356	PULLEY GUARD (LH) WELDMENT - 665	1
	902268	PULLEY GUARD (LH) WELDMENT - 765	1
33	906365	SPINDLE ASSEMBLY - 665	1
	902725	SPINDLE ASSEMBLY - 765	1
34	906553	SHEAVE- SINGLE 4 1/2" - 665	2
	906555	SINGLE SHEAVE Ø5 1/4" X 1 1/2" - 765	2



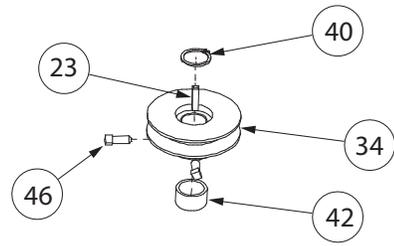
ITEM	PART NUMBER	DESCRIPTION	QTY.
35	906554	DOUBLE SHEAVE Ø4 1/2" X 2.3" - 665	1
	906556	DOUBLE SHEAVE Ø5 1/4" X 2.3" - 765	1
36	906582	SHEAVE-DOUBLE 12"	1
37	908725	SAE 80W-90 GEAR OIL	0.5
38	909008	RUBBER ROLLER RETAINER CASTING Ø1 5/16"OD X 1"	2
39	911377	GEARBOX (WITHOUT OIL)	1
40	912301558	SNAP RING	3
41	964001	1" X 7/16" X 10GA FLAT WASHER (PL)	4
42	9812436	1/4" X 2 1/2" COTTER PIN (PL)	1
43	966811	SHEAVE SPACER Ø1.25"OD X 0.7"	2
44	967134	1" X 10GA FLAT WASHER (BR)	1
45	967164	DRIVE-IN GREASE ZERK	4
46	973506	BELT B-78 - 665	2
	973248	BELT B-87 - 765	2
47	980004200	GEARBOX BASE PL WELDT	1
48	9810943	5/16" X 3/4" SQ HD SET SCREW (BR)	8
49	9812434	1/4" X 1 1/2" COTTER PIN (PL)	1

# Left / Right Mower Deck - 465, 565





DETAIL A

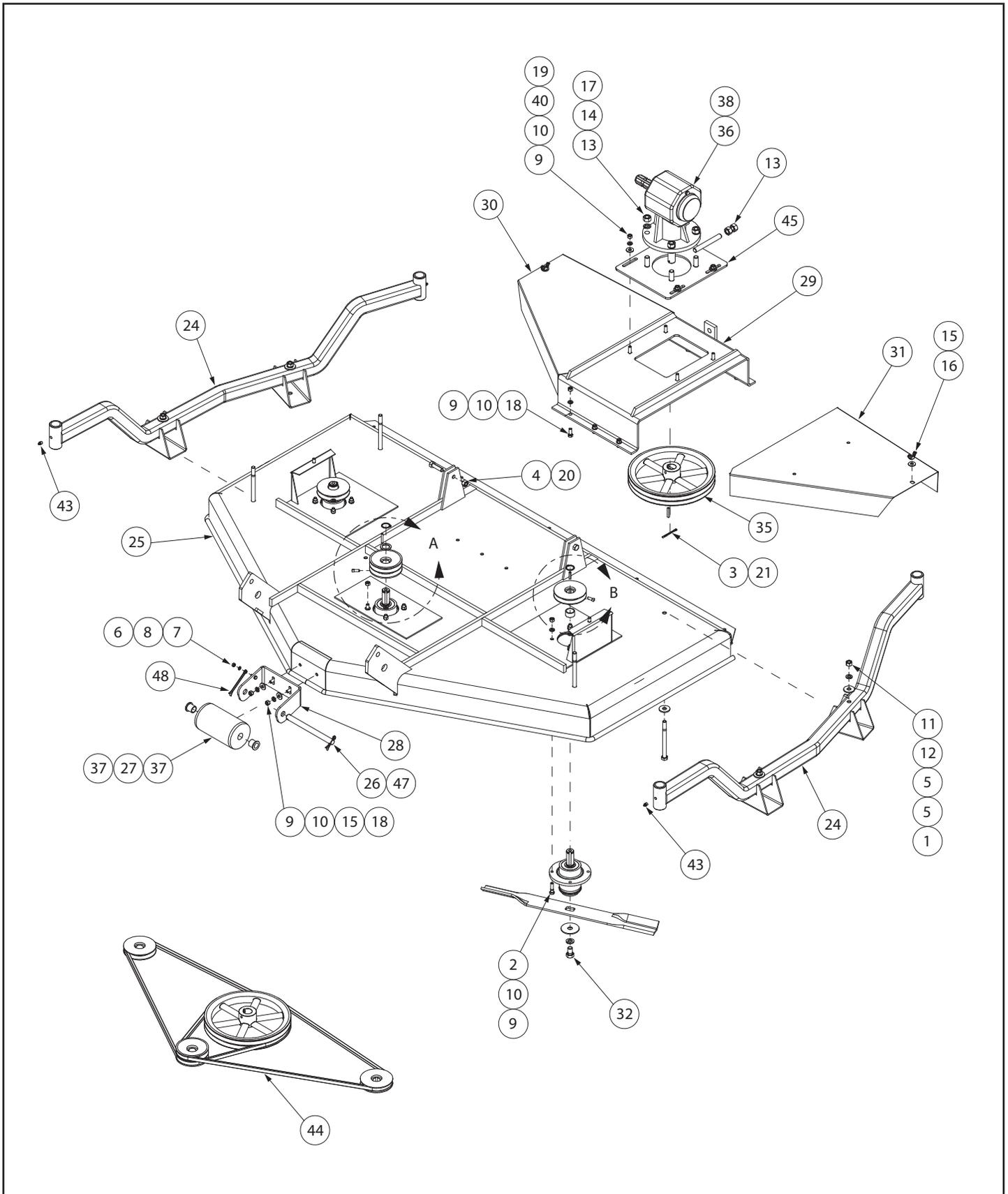


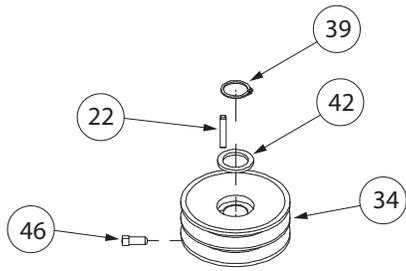
DETAIL B

ITEM	PART NUMBER	DESCRIPTION	QTY.
1	811646	1/2" X 6" HEX BOLT (PL)	4
2	81207	3/16" X 2" COTTER PIN (BR)	1
3	812364	1/2" LOCK NUT (PL)	2
4	812769	1 1/2"OD X 9/16"ID X 10GA WASHER (PL)	8
5	81525	1/4" X 3/4" HEX BOLT (PL)	1
6	81544	1/4" HEX NUT (PL)	1
7	81545	1/4" LOCK WASHER (PL)	1
8	81592	3/8" HEX NUT (PL)	24
9	81593	3/8" LOCK WASHER (PL)	24
10	81636	1/2" HEX NUT (PL)	4
11	81637	1/2" LOCK WASHER (PL)	4
12	81676	5/8" HEX NUT (PL)	6
13	81677	WASHER LOCK 0.625 PL	4
14	819622	AXLE WELDMENT INSIDE - 465	1
	902425	AXLE WELDMENT INSIDE - 565	1
15	84000	7/16" FLAT WASHER (PL)	4
16	84217	3/8" WING NUT (PL)	2
17	84270	5/8" X 1 3/4" HEX BOLT (PL)	4
18	86170	3/8" X 1" HEX BOLT GR.5 (PL)	8
19	86182	3/8 X 1 1/4 CARRIAGE BOLT (PL)	4
20	87553	1/2" X 1.75" HEX BOLT UNC GR5 (PL)	2
21	900929	1/4" x 1/4" x 1-5/8" KEY	1
22	900930	1/4" X 1/4" X 1-1/2" KEY	1
23	900931	1/4" X 1/4" X 1 7/64" KEY	2
24	903104	ROLLER PIN 0.750" DIA	1
25	903105	ROLLERTUBE Ø4" X 6 15/16"	1
26	903488	ROLLER HOLDER	1
27	903815	DECK WELDMENT - 465	1
	902667	DECK WELDMENT - 565	1
28	903834	AXLE WELDMENT OUTSIDE - 465	1
	902425	AXLE WELDMENT OUTSIDE - 565	1
29	904250	V-BELT B61 - 465	2
	904251	V-BELT B70 - 565	2
30	906342	GEARBOX MOUNTING PLATE WELDMENT - 465	1
	906343	GEARBOX MOUNTING PLATE WELDMENT - 565	1
31	906346	PULLEY GUARD WELDMENT (RH) - 465	1
	906353	PULLEY GUARD WELDMENT (RH) - 565	1
32	906347	PULLEY GUARD WELDMENT (LH) - 465	1
	906354	PULLEY GUARD WELDMENT (LH) - 565	1
33	906363	SPINDLE ASSEMBLY - 465	1
	906364	SPINDLE ASSEMBLY - 565	1

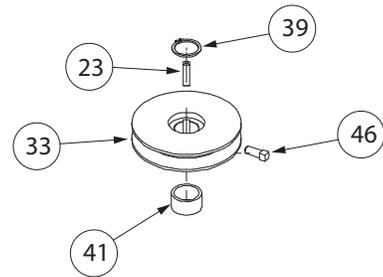
ITEM	PART NUMBER	DESCRIPTION	QTY.
34	906551	SHEAVE - SINGLE 3 3/4" - 465	2
	906553	SHEAVE - SINGLE 4 1/2" - 565	2
35	906552	SHEAVE - DOUBLE 3 3/4" - 465	1
	906554	SHEAVE - DOUBLE 4 1/2" - 565	1
36	906582	SHEAVE-DOUBLE 12"	1
37	908725	SAE 80W-90 GEAR OIL	0.5
38	909008	RUBBER ROLLER RETAINER CASTING Ø1 5/16"OD X 1"	2
39	911377	GEARBOX (WITHOUT OIL)	1
40	912301558	SNAP RING	3
41	964001	1" X 7/16" X 10GA FLAT WASHER (PL)	4
42	966811	SHEAVE SPACER Ø1.25"OD X 0.7"	2
43	967134	1" X 10GA FLAT WASHER (BR)	1
44	967164	DRIVE-IN GREASE ZERK	4
45	980004200	GEARBOX BASE PL WELDT	1
46	9810943	5/16" X 3/4" SQ HD SET SCREW (BR)	8
47	9812357	3/8" X 1 1/2" HEX BOLT (BR)	12
48	9812434	1/4" X 1 1/2" COTTER PIN (PL)	1
49	9812436	1/4" X 2 1/2" COTTER PIN (PL)	1

# Left / Right Mower Deck - 665, 765





DETAIL A



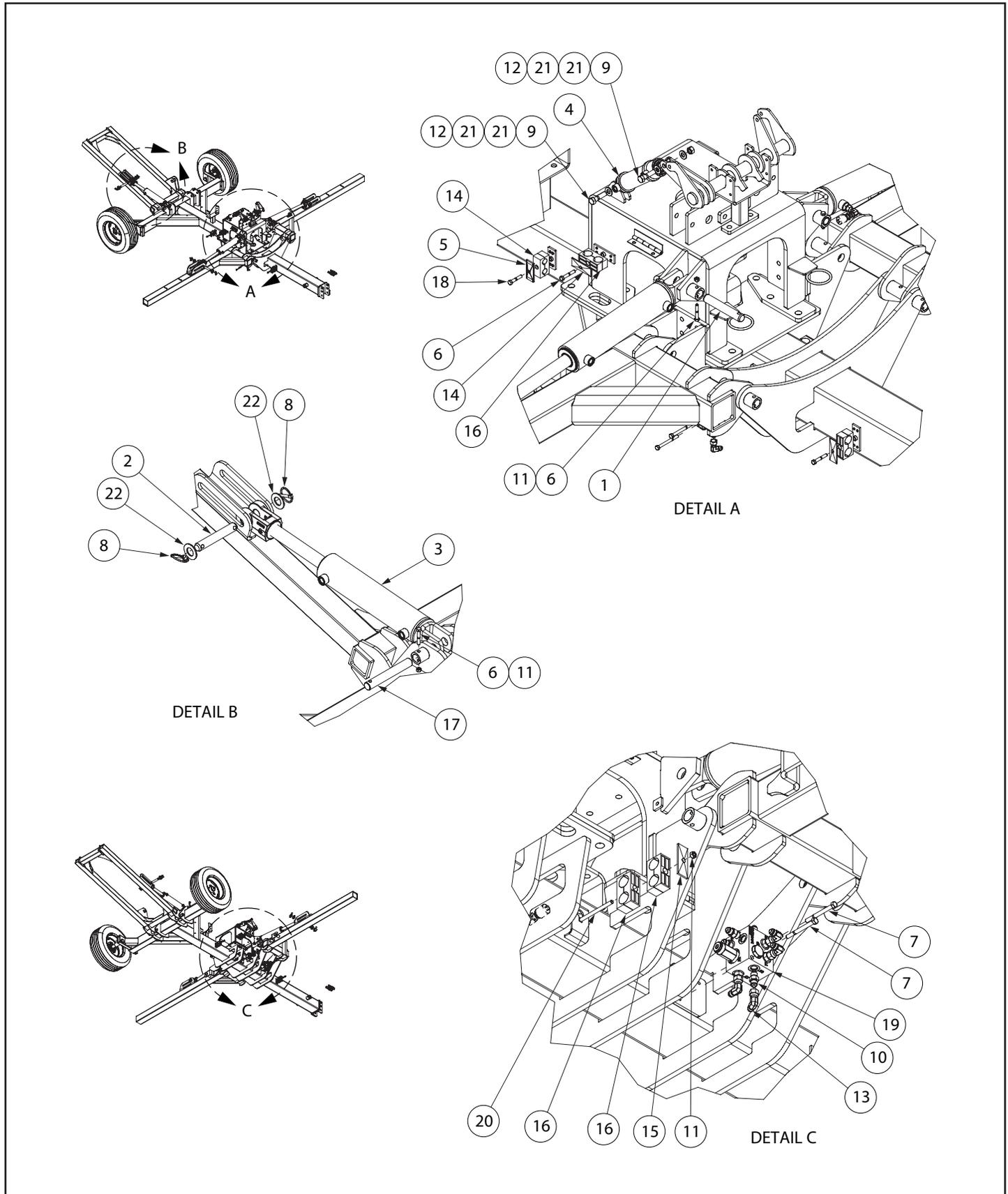
DETAIL B

ITEM	PART NUMBER	DESCRIPTION	QTY.
1	811646	1/2" X 6" HEX BOLT (PL)	4
2	811792	3/8" X 1 1/2" HEX BOLT GR.5 (PL)	12
3	81207	3/16" X 2" COTTER PIN (BR)	1
4	812364	1/2" LOCK NUT (PL)	2
5	812769	1 1/2"OD X 9/16"ID X 10GA WASHER (PL)	8
6	81525	1/4" X 3/4" HEX BOLT (PL)	1
7	81544	1/4" HEX NUT (PL)	1
8	81545	1/4" LOCK WASHER (PL)	1
9	81592	3/8" HEX NUT (PL)	24
10	81593	3/8" LOCK WASHER (PL)	24
11	81636	1/2" HEX NUT (PL)	4
12	81637	1/2" LOCK WASHER (PL)	4
13	81676	5/8" HEX NUT (PL)	6
14	81677	WASHER LOCK 0.625 PL	4
15	84000	7/16" FLAT WASHER (PL)	4
16	84217	3/8" WING NUT (PL)	2
17	84270	5/8" X 1 3/4" HEX BOLT (PL)	4
18	86170	3/8" X 1" HEX BOLT GR.5 (PL)	8
19	86182	3/8 X 1 1/4 CARRIAGE BOLT (PL)	4
20	87553	1/2" X 1.75" HEX BOLT UNC GR5 (PL)	2
21	900929	1/4" X 1/4" X 1-5/8" KEY	1
22	900930	1/4" X 1/4" X 1-1/2" KEY	1
23	900931	1/4" X 1/4" X 1 7/64" KEY	2
24	902427	AXLE WELDMENT - 665	2
	902433	AXLE WELDMENT - 765	2
25	902668	DECK WELDMENT - 665	1
	902669	DECK WELDMENT - 765	1
26	903104	ROLLER PIN 0.750" DIA	1
27	903105	ROLLERTUBE 04" X 6 15/16"	1
28	903488	ROLLER HOLDER	1
29	906343	GEARBOX MOUNTING PLATE WELDMENT	1
30	906355	PULLEY GUARD WELDMENT (RH) - 665	1
	902269	PULLEY GUARD WELDMENT (RH) - 765	1
31	906356	PULLEY GUARD WELDMENT (LH) - 665	1
	902268	PULLEY GUARD WELDMENT (LH) - 765	1
32	906365	SPINDLE ASSEMBLY - 665	1
	902725	SPINDLE ASSEMBLY - 765	1
33	906553	SHEAVE- SINGLE 4 1/2" - 665	2
	906555	SHEAVE- SINGLE 5 1/4" - 765	2
34	906554	DOUBLE SHEAVE 4 1/2" - 665	1
	906556	DOUBLE SHEAVE 5 1/4" - 765	1



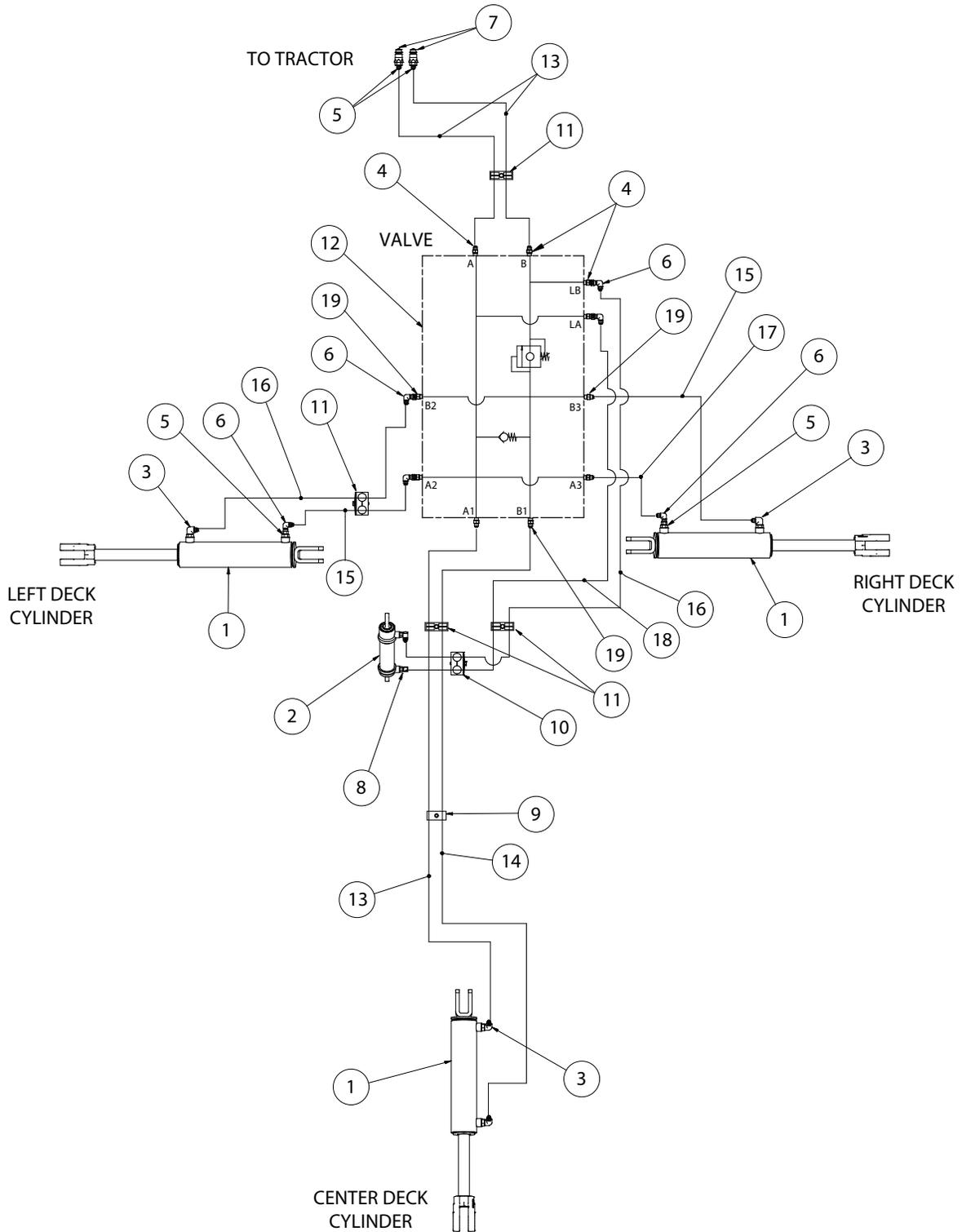
ITEM	PART NUMBER	DESCRIPTION	QTY.
35	906582	SHEAVE-DOUBLE 12"	1
36	908725	SAE 80W-90 GEAR OIL	0.5
37	909008	RUBBER ROLLER RETAINER CASTING 01 5/16"OD X 1"	2
38	911377	GEARBOX (WITHOUT OIL)	1
39	912301558	SNAP RING	3
40	964001	1" X 7/16" X 10GA FLAT WASHER (PL)	4
41	966811	SHEAVE SPACER 01.25"OD X 0.7"	2
42	967134	1" X 10GA FLAT WASHER (BR)	1
43	967164	DRIVE-IN GREASE ZERK	8
44	973506	BELT B-78 - 665	2
	973248	BELT B-87 - 765	2
45	980004200	GEARBOX BASE PL WELDT	1
46	9810943	5/16" X 3/4" SQ HD SET SCREW (BR)	8
47	9812434	1/4" X 1 1/2" COTTER PIN (PL)	1
48	9812436	1/4" X 2 1/2" COTTER PIN (PL)	1

# Hydraulic Cylinders and Valve



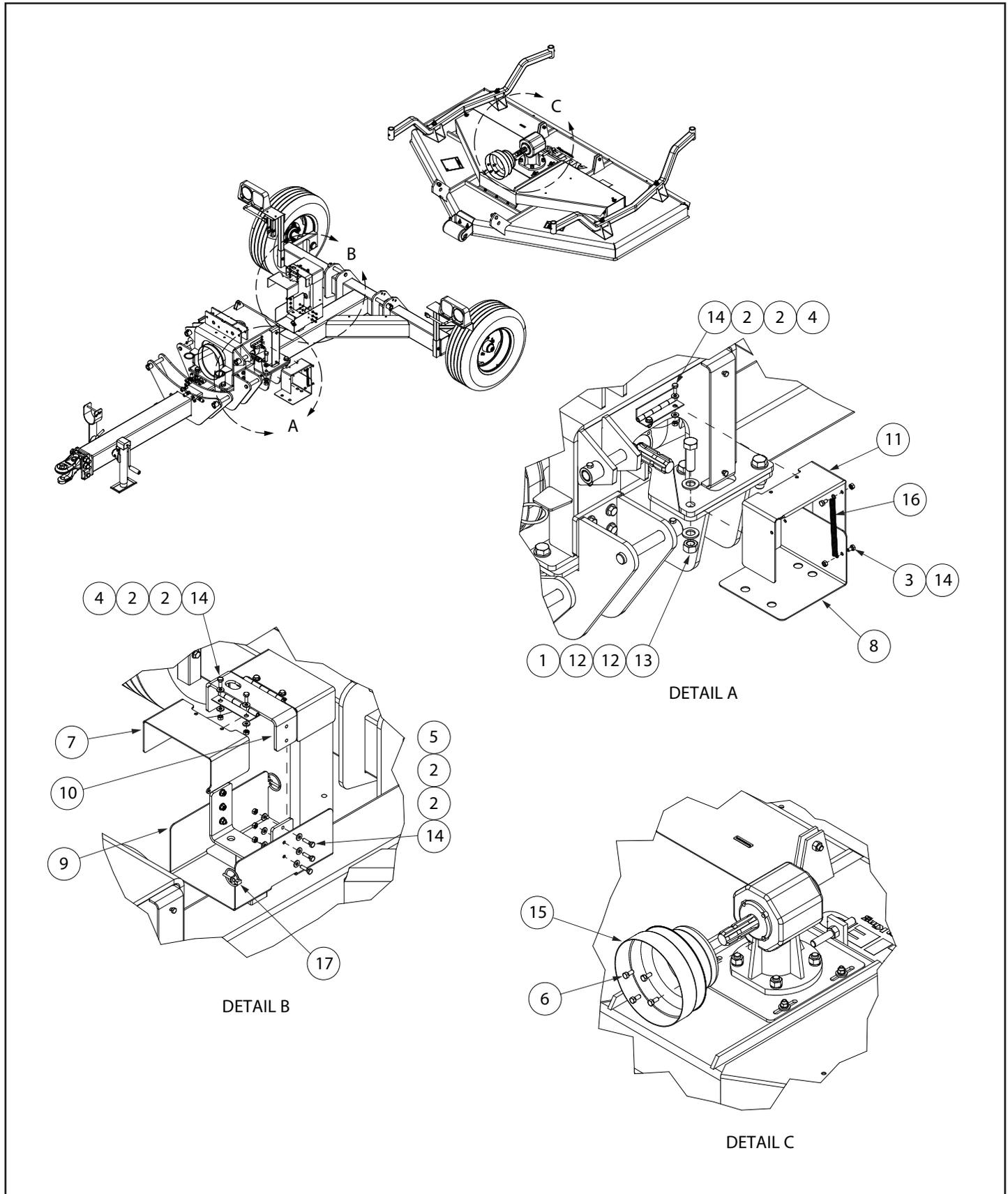
ITEM	PART NUMBER	DESCRIPTION	QTY.
1	104719	PIN 1.0 DIA X 6.0 LG	2
2	113266	PIN 1.000DIA X 6.25LG 2HOLE	3
3	24794M	CYL 3.0 DIAM. X 12.0	3
4	24930M	CYL 1.75" DIA X 5.00	1
5	29256	COVER PLATE	1
6	810640	5/16" X 2" HEX BOLT (PL)	5
7	811651	BOLT HEX 0.313NC X 3.25GR5 PL	2
8	811747	5/16 X 1 1/4 LYNCH PIN	6
9	811791	1/2" X 2" HEX BOLT (PL)	2
10	812086	ADAPTOR STR 9/16 MORB X 9/16 MJIC	10
11	812362	5/16" LOCK NUT (PL)	4
12	812364	1/2" LOCK NUT (PL)	2
13	812837	ELB90 9/16SWFJIX9/16MJI 106717	6
14	815608	BLOCK POLYPROPELENE 3/8 PAIR	1
15	816051	3/4 HOSE CLAMP COVER PLATE	4
16	816052	3/4 BLOCK POLYPROPELENE PAIR	5
17	819177	PIN - 1.0 DIA X 6.5LG 1 HOLE	1
18	81925	HEX BOLT 5/16" X 1 3/4" (PL)	1
19	819532	VALVE BLOCK - TRIPLEX W/TRANSPORT LOCK	1
20	819534	BOLT CARR 0.313 NC X 4.00 GR5PL	1
21	84048	1/2" SAE FLAT WASHER (PL)	4
22	84522	1" ID SAE FLAT WASHER (PL)	6

# Hydraulic Fittings and Hoses



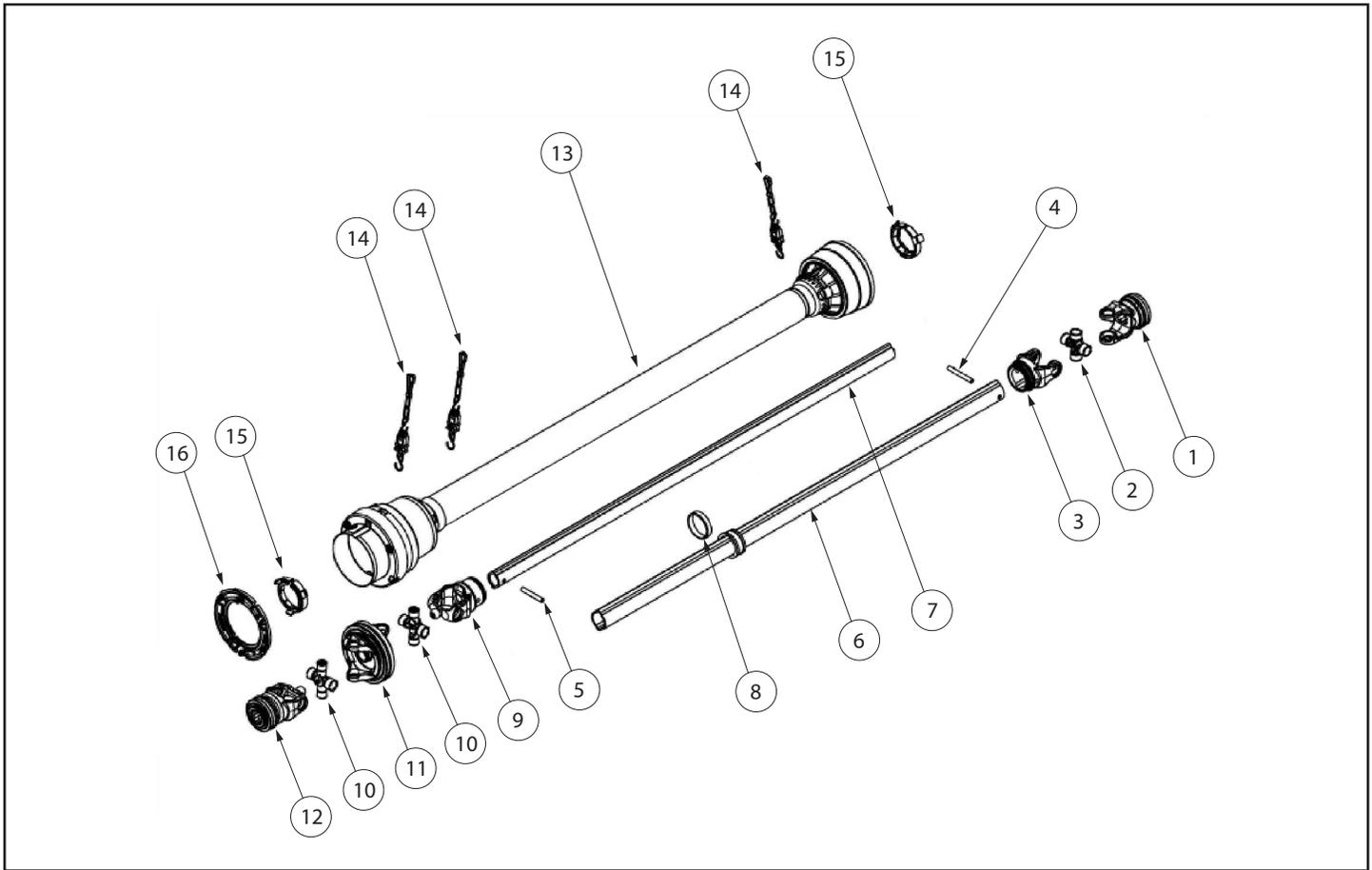
ITEM	PART NUMBER	DESCRIPTION	QTY.
1	24794M	CYL 3.0 DIAM. X 12.0	3
2	24930M	CYL 1.75" DIA X 5.00	1
3	811916	ELBOW-8MORB X -6MJIC 90DEG	4
4	812086	ADAPTOR STR 9/16 MORB X 9/16 MJIC	7
5	812107	ADAPTOR STR 3/4MORB X 9/16MJI	4
6	812837	ELB90 9/16SWFJIX9/16MJI 106717	6
7	812841	MALE TIP 0.50 BODY 0.75 ORB	2
8	813640	ELBOW 90 9/16 MORB ADJ X 3/8	2
9	815608	BLOCK POLYPROPELENE 3/8 PAIR	1
10	816051	3/4 HOSE CLAMP COVER PLATE	4
11	816052	3/4 BLOCK POLYPROPELENE PAIR	5
12	819532	VALVE BLOCK - TRIPLEX W/TRANSPORT LOCK	1
13	819538	HOSE - 3/8 X 74.5 -06 SWFJIC X -06 SWFJIC	3
14	819539	HOSE - 3/8 X 84.5 -06 SWFJIC X -06 SWFJIC	1
15	819540	HOSE - 3/8 X 31.5 -06 SWFJIC X -06 SWFJIC	2
16	819541	HOSE - 3/8 X 48.5 -06 SWFJIC X-06 SWFJIC	2
17	819542	HOSE - 3/8 X 20 -06 SWFJIC X -06 SWFJIC	1
18	819543	HOSE - 3/8 X 41.5 -06 SWFJIC X -06 SWFJIC	1
19	820045	ORIFICE - STR 9/16 MORB X 9/16 MJIC X .062	3

# PTO Guards



ITEM	PART NUMBER	DESCRIPTION	QTY.
1	812365	3/4" LOCK NUT (PL)	-
2	812624	1/4" FLAT WASHER PL	44
3	81523	1/4" X 1/2" HEX BOLT (PL)	2
4	81525	1/4" X 3/4" HEX BOLT (PL)	6
5	81527	1/4" X 1" HEX BOLT (PL)	14
6	81549	5/16" X 3/4" HEX BOLT (PL)	12
7	819191	PLATE - PTO BEARING SHIELD TOP	2
8	819193	PLATE - PTO BOTTOM SHIELD	2
9	819194	PLATE - PTO BEARING SHIELD BOTTOM	1
10	819196	WELDMENT - PTO BEARING SHIELD MOUNT	1
11	819588	WELDMENT - SIDE SHIELD	2
12	84050	3/4" S.A.E. FLAT WASHER (PL)	-
13	84346	3/4" X 2 1/2" HEX BOLT (PL)	-
14	84498	1/4" LOCK NUT (PL)	16
15	900750	SIDE PTO GUARD	3
16	960135	PTO SHLD SPRG (#661)	2
17	966729	3/16" LINCH PIN (PL)	2

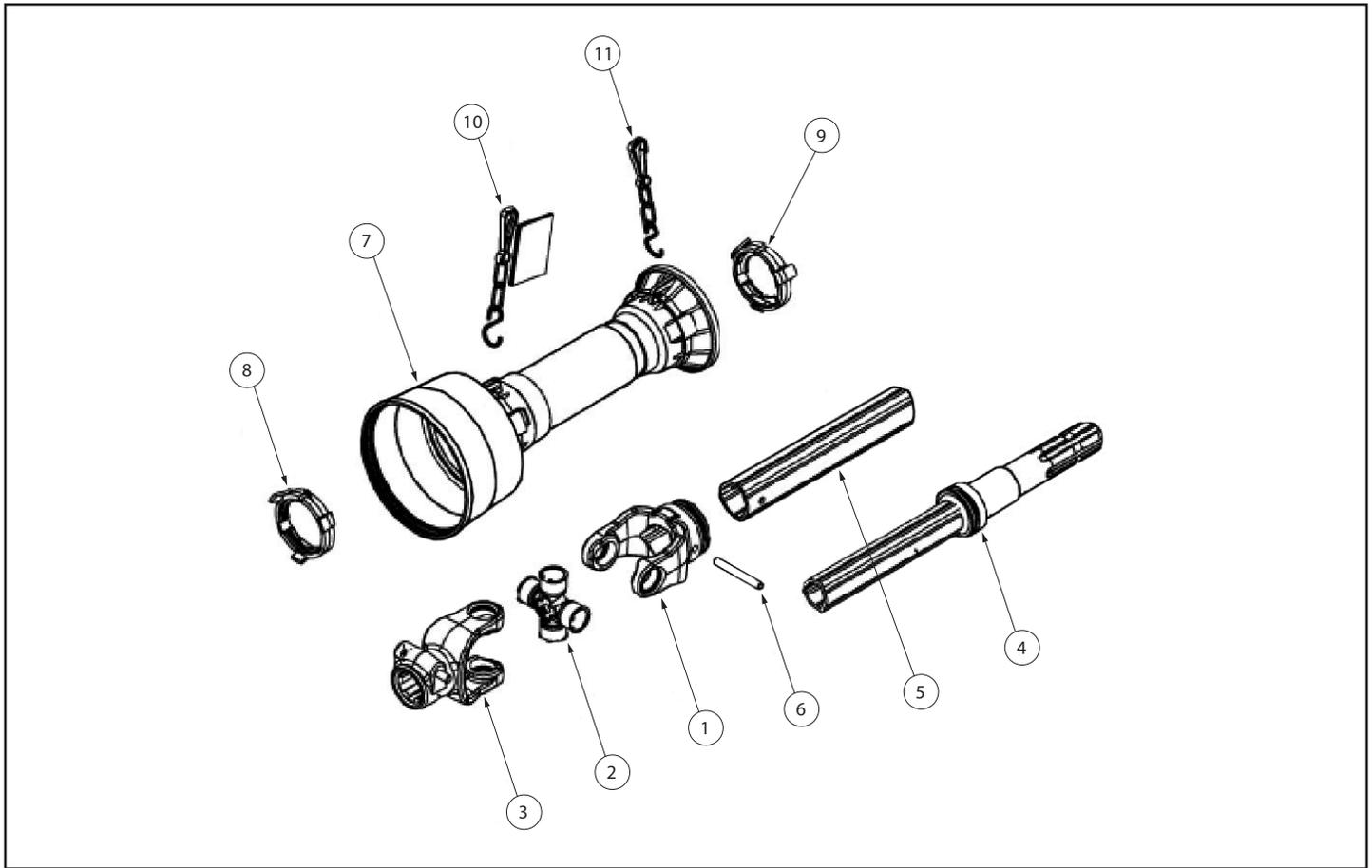
## PTO - F2359 (To Tractor)



ITEM	PART NUMBER	DESCRIPTION	QTY.
1	930758	YOKE WITH QL BALL TUPE	1
2	819546	CROSS KIT WITH GREASE NIPPLE ON CROSS BODY	1
3	819547	INBOARD YOKE FOR OUTERTUBE	1
4	925360	ELASTIC PIN 10MM DIA X 80 MM	1
5	925358	ELASTIC PIN 10MM DIA X 70MM	1
6	819548	LEMONTUBE L =1365 WITH PIN HOLE, ANTI-VIBRATING SLEEVE	1
7	819549	RILSAN LEMONTUBE L = 1355 WITH PIN HOLE	1
8	818578	RING FOR ANTI-VIBRATING SLEEVE	1
9	819550	CV WILEANGLE YOKE WELDED	1
10	930750	CROSS KIT WITH GREASE NIPPLE ON BEARING CUP	2
11	930751	CV WIDEAGNEL DOUBLE YOKE 80 DEG	1
12	819551	YOKE 1.3/8" - Z6 QL	1
13	819552	WIDEANGLE SHAFT SHIELD	1
14	925361	PRE-SET DISENGAGEMENT SYSTEM CHANGE	3
15	925422	RETAINER	2
16	930761	CV WIDEANGLE RETAINER	1

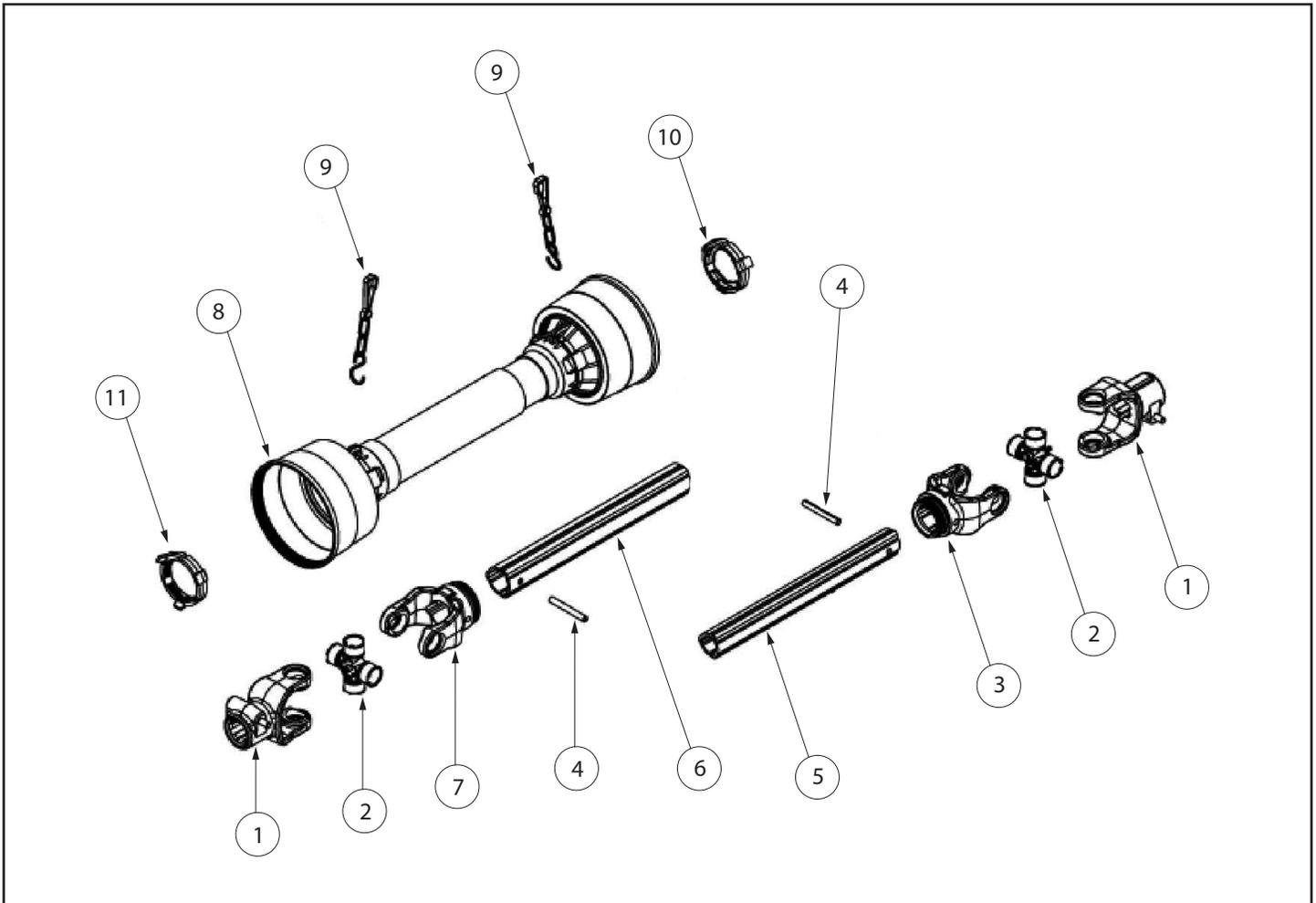


## PTO - F2360 (Link)



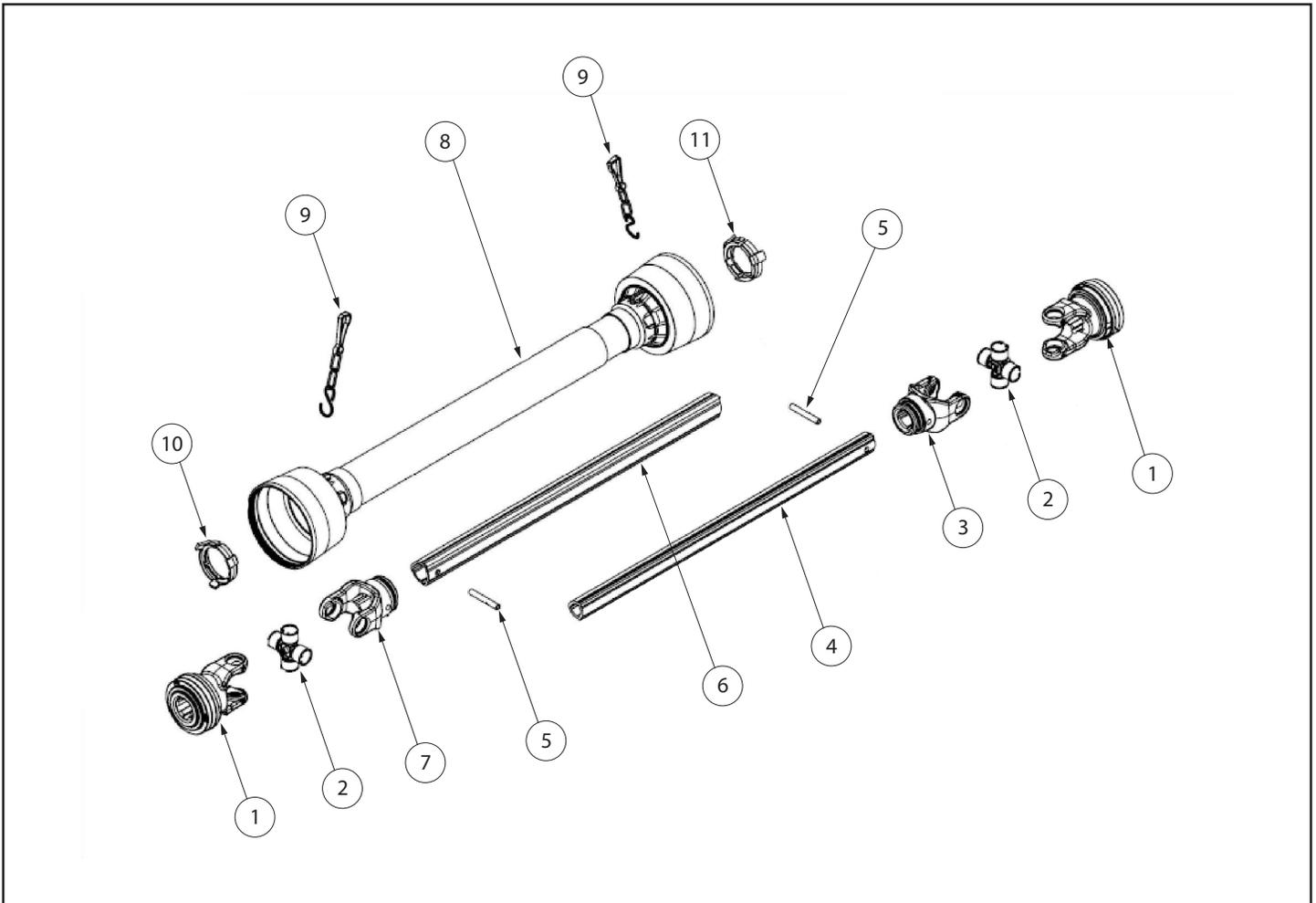
ITEM	PART NUMBER	DESCRIPTION	QTY.
1	818203	INBOARD YOKE FOR OUTERTUBE	1
2	817784	CROSS KIT	1
3	819553	YOKE WITH PIN	1
4	819554	HALF SHAFT PIC SIDE	1
5	819555	SPLINED TUBE	1
6	817775	ELASTIC PIN 8MM DIA X 65MM	1
7	819556	SHAFT SHIELD	1
8	817777	RETAINER	1
9	817778	RETAINER	1
10	819557	CHAIN WITH INSTRUCTION	1
11	819558	CHAIN	1

## PTO - F2361 (To Left / Right Deck, 465)



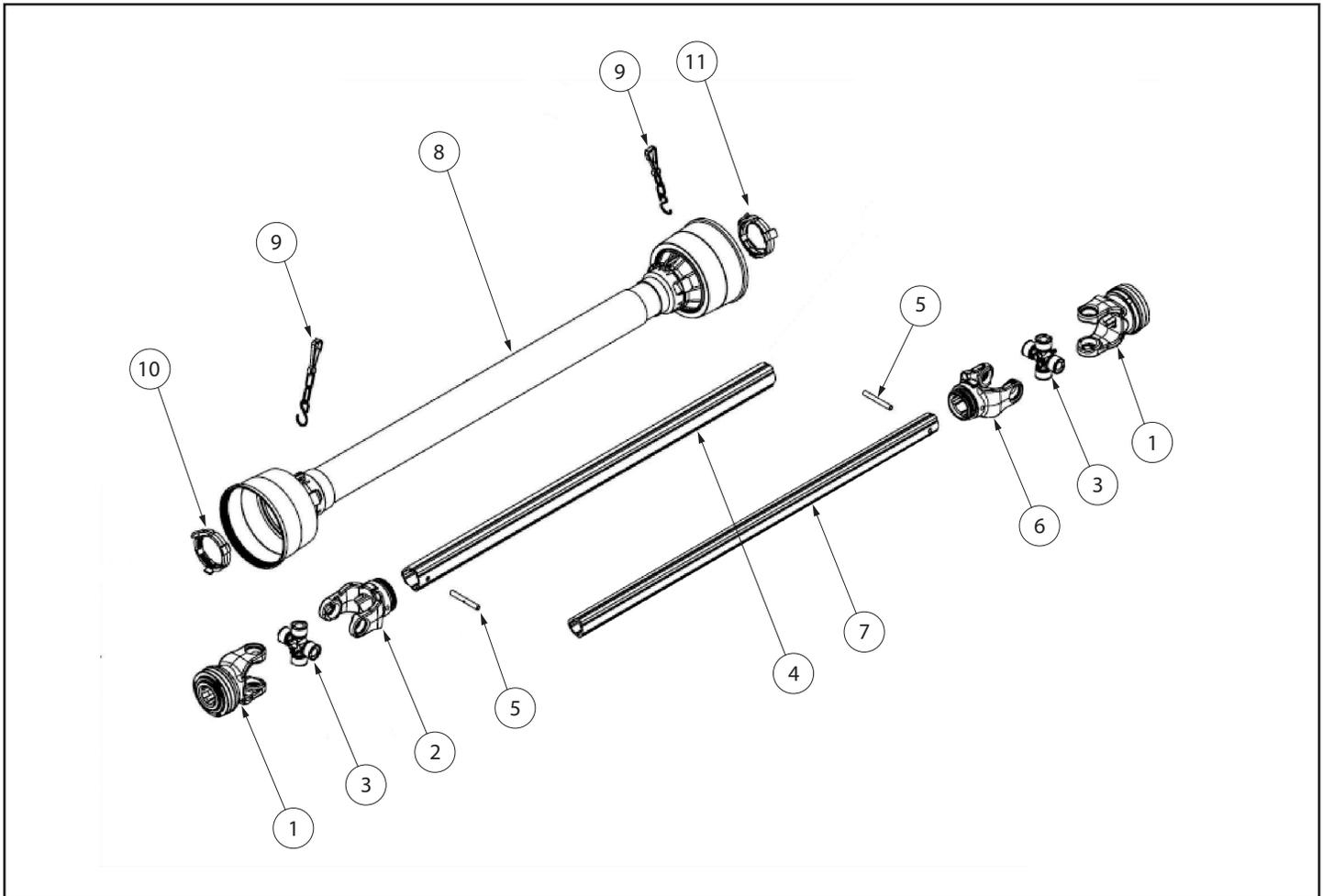
ITEM	PART NUMBER	DESCRIPTION	QTY.
1	819553	YOKE WITH PUSH PIN	2
2	817784	CROSS KIT WITH GREASE NIPPLE ON CROSS	2
3	817783	INBOARDYOKE FOR INNERTUBE	1
4	817775	ELASTIC PIN 8MM DIA X 65MM	2
5	819559	TRIANGULARTUBE L=340	1
6	819560	TRIANGULARTUBE L=340	1
7	818203	INBOARDYOKE FOR OUTERTUBE	1
8	819561	SHAFT SHIELD	1
9	817774	CHAIN	2
10	817778	RETAINER	1
11	817777	RETAINER	1

**PTO - F2362 (To Left / Right Deck, 565)**



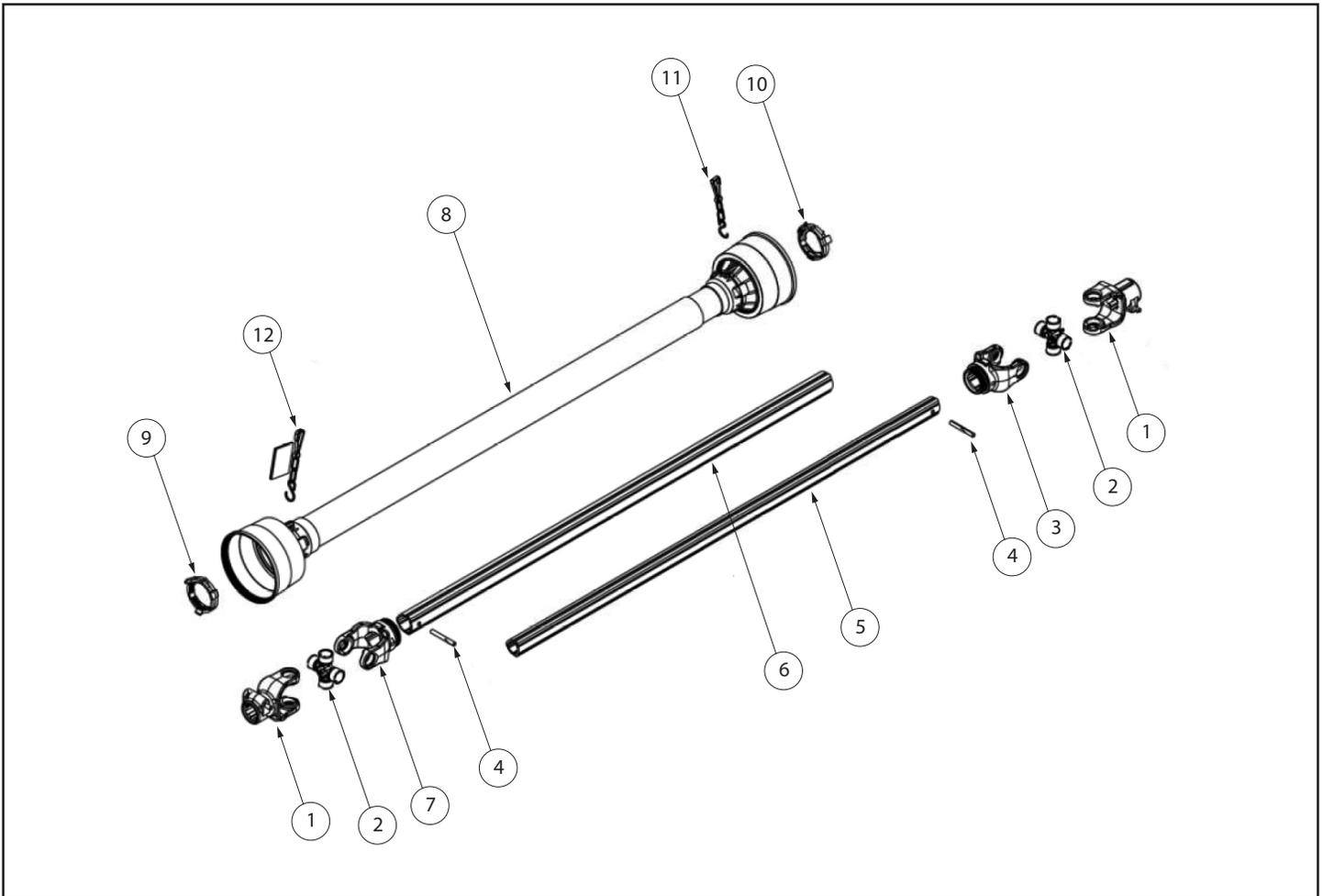
ITEM	PART NUMBER	DESCRIPTION	QTY.
1	819562	YOKE WITH QL BALL	2
2	819563	CROSS KIT WITH GREASE NIPPLE ON CROSS	2
3	819564	INBOARDYOKE FOR INNERTUBE	1
4	819565	TRIANGULARTUBE L=585	1
5	819566	ELASTIC PIN 8MM DIA X 55MM	2
6	819567	TRIANGULARTUBE L=585	1
7	819568	INBOARDYOKE FOR OUTERTUBE	1
8	819569	SHAFT SHIELD	1
9	817774	CHAIN	2
10	819570	RETAINER	1
11	819571	RETAINER	1

## PTO - F2363 (To Left / Right Deck, 665)



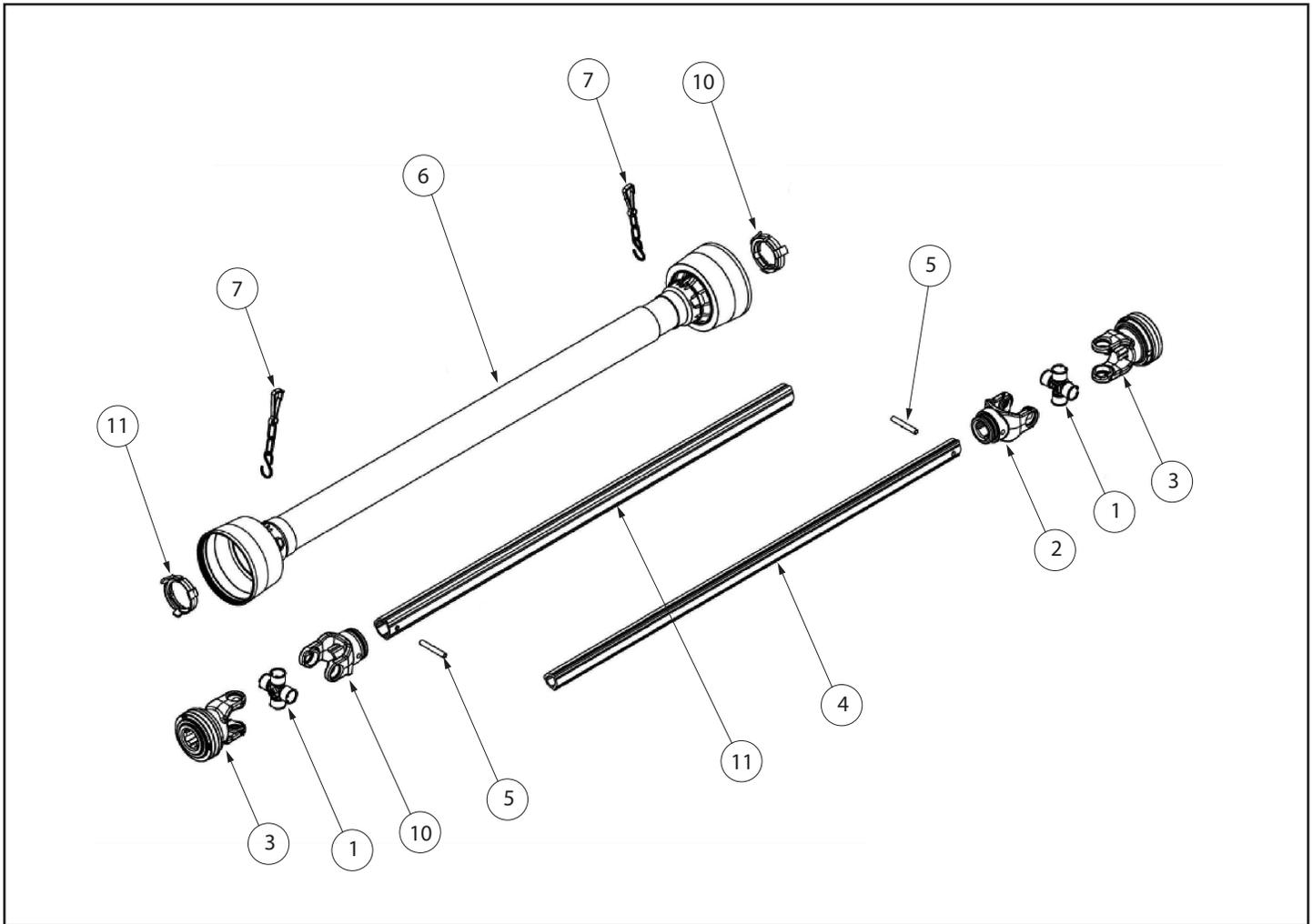
ITEM	PART NUMBER	DESCRIPTION	QTY.
1	817780	YOKE WITH QL BALL	2
2	818203	INBOARD YOKE FOR OUTERTUBE	1
3	817784	CROSS KIT WITH GREASE NIPPLE ON CROSS	2
4	819572	TRIANGULAR TUBE L=860	1
5	817775	ELASTIC PIN 8MM DIA X 65MM	2
6	817783	INBOARD YOKE FOR INNERTUBE	1
7	819573	TRIANGULAR TUBE L=860	1
8	819574	SHAFT SHIELD	1
9	817774	CHAIN	2
10	819575	RETAINER	1
11	817778	RETAINER	1

**PTO - F2364 (To Left / Right Deck, 765)**



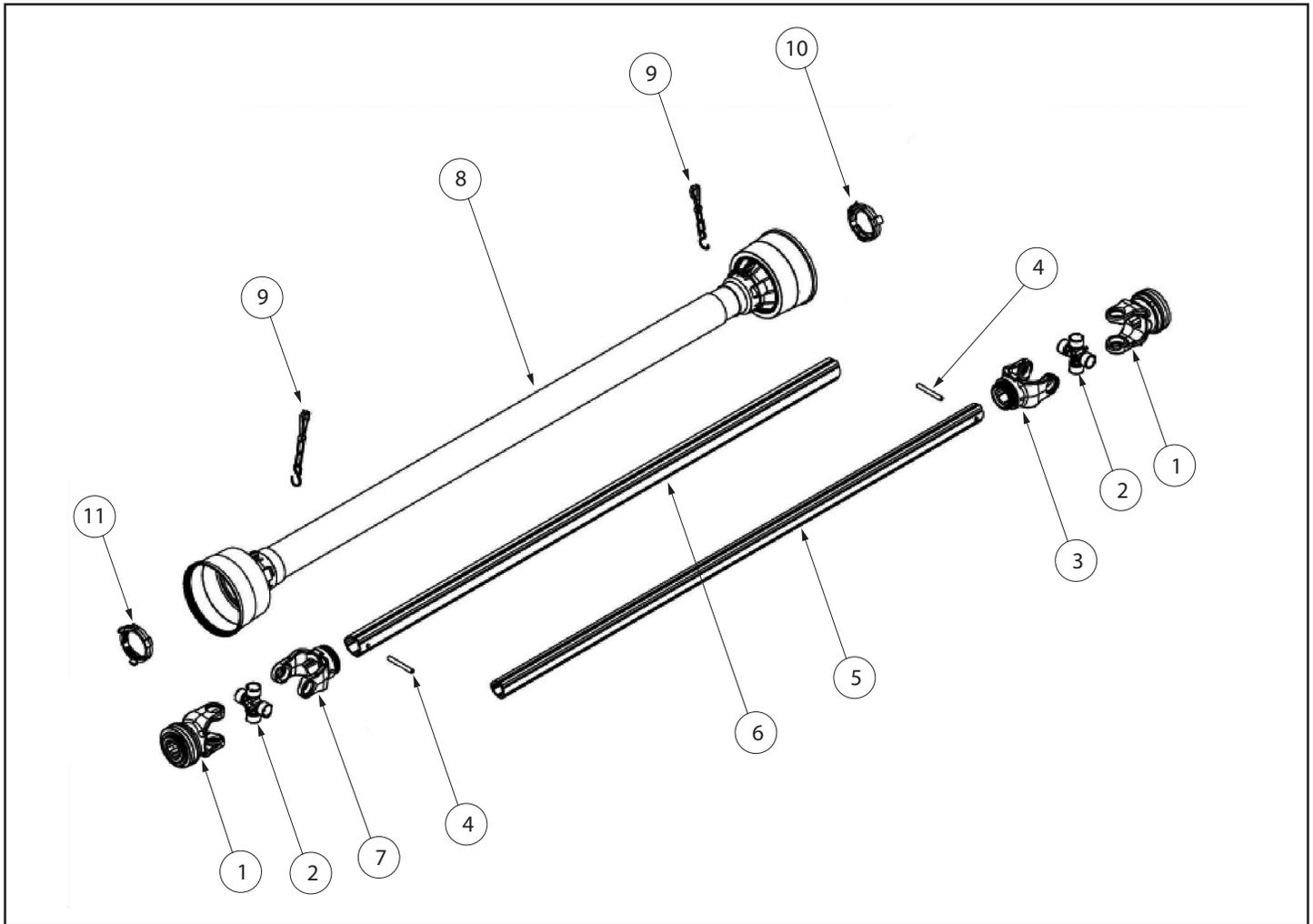
ITEM	PART NUMBER	DESCRIPTION	QTY.
1	819553	YOKE WITH PIN	2
2	817784	CROSS KIT	2
3	817783	INBOARD YOKE FOR INNERTUBE	1
4	817775	ELASTIC PIN 8MM DIA X 65MM	2
5	819576	TRIANGULAR TUBE	1
6	819577	TRIANGULAR TUBE	1
7	818203	INBOARD YOKE FOR OUTERTUBE	1
8	819578	SHAFT SHIELD	1
9	817777	RETAINER	1
10	817778	RETAINER	1
11	817774	CHAIN	1
12	819557	CHAIN WITH INSTRUCTIONS	1

## PTO - F2365 (To Center Deck, 465 & 565)



ITEM	PART NUMBER	DESCRIPTION	QTY.
1	819563	CROSS KIT WITH GREASE NIPPLE ON CROSS	2
2	819564	INBOARD YOKE FOR INNER TUBE	1
3	819562	YOKE WITH QL BALL	2
4	819579	TRIANGULAR TUBE L=935	1
5	819566	ELASTIC PIN 8MM DIA X 55MM	2
6	819580	SHAFT SHIELD	1
7	817774	CHAIN	2
8	819571	RETAINER	1
9	819570	RETAINER	1
10	819568	INBOARD YOKE FOR OUTER TUBE	1
11	819581	TRIANGULAR TUBE L=935	1

**PTO - F2366 (To Center Deck, 665 & 765)**



ITEM	PART NUMBER	DESCRIPTION	QTY.
1	817780	YOKE WITH QL BALL	2
2	817784	CROSS KIT WITH GREASE NIPPLE ON CROSS	2
3	817783	INBOARD YOKE FOR INNER TUBE	1
4	817775	ELASTIC PIN 8MM DIA X 65 MM	2
5	819582	TRIANGULAR TUBE L=1310	1
6	819583	TRIANGULAR TUBE L=1310	1
7	818203	INBOARD YOKE FOR OUTERTUBE	1
8	819584	SHAFT SHIELD	1
9	817774	CHAIN	2
10	817778	RETAINER	1
11	819575	RETAINER	1

# ALLIED

by **Farm King**





## Specifications And Shipping Kit Numbers

Specifications.....	87
Shipping Kit And Bundle Numbers.....	89
Hardware Torque Values.....	90
Metric Chart.....	90
Imperial Chart.....	91

# ALLIED

by **Farm King**



## Specifications

Model	465	565
Cutting width	11'	13.6'
Transportation width (approx.)	92"	96"
Transportation height / length (approx.)	74" / 186"	87" / 189"
Recommended horsepower	45 hp	55 hp
Wing flex*	40° up 10° down	40° up 10° down
Deck overlap	6"	6"
Gear box rating at 540 RPM	120 hp divider box, 30 hp wing boxes	
Hitch type	Cast clevis (standard)	
Driveline main / wings	Series 4-80° CV / series 2	Series 4-80° CV / series 2
Deck width / thickness	4' / 10 Ga.	5' / 7 Ga.
Deck tires	8 (15" x 6" x 6")	10 (15" x 6" x 6")
Main frame tire	2 (27" x 10-1/2" x 15")	2 (27" x 10-1/2" x 15")
Blades per deck / overlap	3 blades / 1-5/8"	3 blades / 2-5/8"
Blade tip speed	15,485 ft/min	15,829 ft/min
Cutting height	1-1/2" to 4-1/2"	1-1/2" to 4-1/2"
Mower drive system	2 belt B groove	2 belt B groove
Front roller	4" x 7" UHMW Poly	4" x 7" UHMW Poly
Weight	3380 lbs	3880 lbs

\* Not recommended for operation greater than 30°, actual measurement based on mower deck flex.

Model	665	765
Cutting width	16'	19.9'
Transportation width (approx.)	102"	108"
Transportation height / length, (approx.)	105" / 206"	123" / 211"
Recommended horsepower	65 hp	80 hp
Wing flex*	40° up 10° down	40° up 10° down
Deck overlap	6"	6"
Gear box rating at 540 RPM	120 hp divider box, 30 hp wing boxes	
Hitch type	Cast clevis (standard)	
Driveline main / wings	Series 4-80° CV / series 2	Series 4-80° CV / series 2
Deck width / thickness	6' / 7 Ga.	7' / 7 Ga.
Deck tires	10 (15" x 6" x 6")	12 (15" x 6" x 6")
Main frame tire	2 (27" x 10-1/2" x 15")	2 (27" x 10-1/2" x 15")
Blades per deck / overlap	3 blades / 2-5/8"	3 blades / 2-5/8"
Blade tip speed	18,737 ft/min	18,552 ft/min
Cutting height	1-1/2" to 4-1/2"	1-1/2" to 4-1/2"
Mower drive system	2 belt B groove	2 belt B groove
Front roller	4" x 7" UHMW Poly	4" x 7" UHMW Poly
Weight	4270 lbs	4530 lbs

\* Not recommended for operation greater than 30°, actual measurement based on mower deck flex.

## Shipping Kit And Bundle Numbers

The following is a list of Kit Numbers for this product and the Bundle Numbers, Descriptions, and Quantities for each Kit.

Qty.	Bundle	Description
<b>Model 450 - 11' Triplex Finishing Mower</b>		
1	YT465	11' Triplex Hitch
1	YT465TL	4' Mower Deck - LH
1	YT465TC	4' Mower Deck - CENTER
1	YT465TR	4' Mower Deck - RH
<b>Model 550 - 13' Triplex Finishing Mower</b>		
1	YT565	13' Triplex Hitch
1	YT565TL	5' Mower Deck - LH
1	YT565TC	5' Mower Deck - CENTER
1	YT565TR	5' Mower Deck - RH
<b>Model 650 - 16' Triplex Finishing Mower</b>		
1	YT665	16' Triplex Hitch
1	YT665TL	6' Mower Deck - LH
1	YT665TC	6' Mower Deck - CENTER
1	YT665TR	6' Mower Deck - RH
<b>Model 750 - 19' Triplex Finishing Mower</b>		
1	YT765	19' Triplex Hitch
1	YT765TL	7' Mower Deck - LH
1	YT765TC	7' Mower Deck - CENTER
1	YT765TR	7' Mower Deck - RH

Qty.	Bundle	Description
<b>Optional Equipment</b>		
3	Y410	4' Chain Kit
3	Y510	5' Chain Kit
3	Y610	6' Chain Kit
3	Y710	7' Chain Kit

# Hardware Torque Values

## Metric Chart

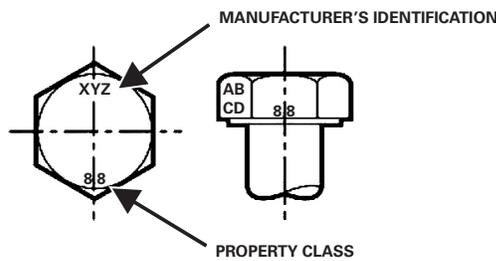
**NOTE: Do not use the values listed in the charts if a different torque value or tightening procedure is specified in this manual for a specific application. Torque values listed are for general use only.**

Use the following charts to determine the correct torque when checking, adjusting or replacing hardware. **Torque values are listed in newton-meters (inch\* or foot pounds) for normal assembly applications.**

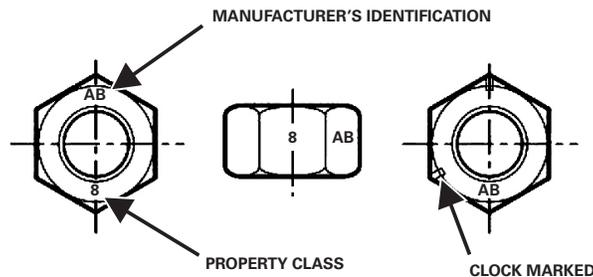
Nominal Size	Class 5.8		Class 8.8		Class 10.9		Lock nuts
	Unplated	Plated W / ZnCr	Unplated	Plated W / ZnCr	Unplated	Plated W / ZnCr	CL.8 W/ CL. 8.8 Bolt
M4	1.7 (15*)	2.2 (19*)	2.6 (23*)	3.4 (30*)	3.7 (33*)	4.8 (42*)	1.8 (16*)
M6	5.8 (51*)	7.6 (67*)	8.9 (79*)	12 (102*)	13 (115*)	17 (150*)	6.3 (56*)
M8	14 (124*)	18 (159*)	22 (195*)	28 (248*)	31 (274*)	40 (354*)	15 (133*)
M10	28 (21)	36 (27)	43 (32)	56 (41)	61 (45)	79 (58)	30 (22)
M12	49 (36)	63 (46)	75 (55)	97 (72)	107 (79)	138 (102)	53 (39)
M16	121 (89)	158 (117)	186 (137)	240 (177)	266 (196)	344 (254)	131 (97)
M20	237 (175)	307 (226)	375 (277)	485 (358)	519 (383)	671 (495)	265 (195)
M24	411 (303)	531 (392)	648 (478)	839 (619)	897 (662)	1160 (855)	458 (338)

**NOTE: Torque values shown with \* are inch pounds.**

## Identification of Hex Cap Screws and Carriage Bolts - Classes 5 and up



## Identification of Hex Nuts and Lock Nuts - Classes 5 and up



## Hardware Torque Values (Cont'd)

### Imperial Chart

**NOTE: Do not use the values listed in the charts if a different torque value or tightening procedure is specified in this manual for a specific application. Torque values listed are for general use only.**

Use the following charts to determine the correct torque when checking, adjusting or replacing hardware. Torque values are listed in newton-meters (inch\* or foot pounds) for normal assembly applications.

Nominal Size	SAE Grade 5		SAE Grade 8		LOCK NUTS			
	Unplated or Plated Silver	Plated W / ZnCr Gold"	Unplated or Plated Silver	Plated W / ZnCr Gold"	Unplated or Plated Silver	Plated W / ZnCr Gold"	Grade W / Gr. 5 Bolt	Grade W / Gr. 8 Bolt
1/4	6.2 (55*)	8.1 (72*)	9.7 (86*)	12.6 (112*)	13.6 (121*)	17.7 (157*)	6.9 (61*)	9.8 (86*)
5/16	13 (115*)	17 (149*)	20 (178*)	26 (229*)	28 (250*)	37 (324*)	14 (125*)	20 (176*)
3/8	23 (17)	30 (22)	35 (26)	46 (34)	50 (37)	65 (48)	26 (19)	35 (26)
7/16	37 (27)	47 (35)	57 (42)	73 (54)	80 (59)	104 (77)	41 (30)	57 (42)
1/2	57 (42)	73 (54)	87 (64)	113 (83)	123 (91)	159 (117)	61 (45)	88 (64)
9/16	81 (60)	104 (77)	125 (92)	163 (120)	176 (130)	229 (169)	88 (65)	125 (92)
5/8	112 (83)	145 (107)	174 (128)	224 (165)	244 (180)	316 (233)	122 (90)	172 (127)
3/4	198 (146)	256 (189)	306 (226)	397 (293)	432 (319)	560 (413)	217 (160)	306 (226)
7/8	193 (142)	248 (183)	495 (365)	641 (473)	698 (515)	904 (667)	350 (258)	494 (364)
1	289 (213)	373 (275)	742 (547)	960 (708)	1048 (773)	1356 (1000)	523 (386)	739 (545)

**NOTE: Torque values shown with \* are inch pounds.**

### Identification of Hex Cap Screws and Carriage Bolts



GRADE 2  
SAE BOLT



GRADE 5  
SAE BOLTS



GRADE 8  
SAE BOLTS



GRADE 2  
SAE NUTS

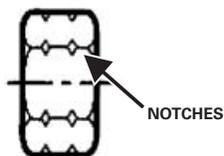


GRADE 5  
SAE NUTS



GRADE 8  
SAE NUTS

### Identification of Hex Nuts and Lock Nuts

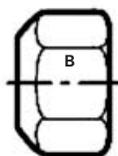


GRADE IDENTIFICATION

GRADE A: NO NOTCHES

GRADE B: ONE CIRCUMFERENTIAL NOTCH

GRADE C: TWO CIRCUMFERENTIAL NOTCHES

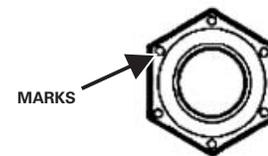


GRADE IDENTIFICATION

GRADE A: NO MARK

GRADE B: LETTER B

GRADE C: LETTER C



GRADE IDENTIFICATION

GRADE A: NO MARKS

GRADE B: THREE MARKS

GRADE C: SIX MARKS

MARKS NEED NOT BE LOCATED AT CORNERS

# ALLIED

by **Farm King**





# Warranty

Farm King Base Limited Warranty.....	95
Repair Parts Limited Warranty.....	95
What Is Not Covered.....	95
Authorized Dealer And Labor Costs.....	95
Warranty Requirements.....	96
EXCLUSIVE EFFECT OF WARRANTY AND LIMITATION OF LIABILITY.....	96

# ALLIED

by **Farm King**



## **Farm King Base Limited Warranty**

Farm King provides this warranty only to original retail purchasers of its products. Farm King warrants to such purchasers that all Farm King manufactured parts and components used and serviced as provided for in the Operator's Manual shall be free from defects in materials and workmanship for a period following delivery to the original retail purchaser of one (1) year. This limited warranty applies only to those parts and components manufactured by Farm King. Parts and components manufactured by others are subject to their manufacturer's warranties, if any.

Farm King will fulfill this limited warranty by, at its option, repairing or replacing any covered part that is defective or is the result of improper workmanship, provided that the part is returned to Farm King within thirty (30) days of the date that such defect or improper workmanship is, or should have been, discovered. Parts must be returned through the selling representative and the buyer must prepay transportation charges.

Farm King will not be responsible for repairs or replacements that are necessitated, in whole or part, by the use of parts not manufactured by or obtained from Farm King. Under no circumstances are component parts warranted against normal wear and tear. There is no warranty on product pump seals, product pump bearings, rubber product hoses, pressure gauges, or other components that require replacement as part of normal maintenance.

### **Repair Parts Limited Warranty**

Farm King warrants genuine Farm King replacement parts purchased after the expiration of the Farm King Limited Warranty, and used and serviced as provided for in the Operator's Manual, to be free from defects in materials or workmanship for a period of thirty (30) days from the invoice date for the parts. Farm King will fulfill this limited warranty by, at its option, repairing or replacing any covered part that is defective or is the result of improper workmanship, provided that the part is returned to Farm King within thirty (30) days of the date that such defect or improper workmanship is, or should have been, discovered. Such parts must be shipped to the Farm King factory at the purchaser's expense.

### **What Is Not Covered**

Under no circumstances does this limited warranty cover any components or parts that have been subject to the following: negligence; alteration or modification not approved by Farm King; misuse; improper storage; lack of reasonable and proper maintenance, service, or repair; normal wear; damage from failure to follow operating instructions; accident; and/or repairs that have been made with parts other than those manufactured, supplied, and or authorized by Farm King.

### **Authorized Dealer And Labor Costs**

Repairs eligible for labor under this limited warranty must be made by Farm King or an authorized Farm King dealer. Farm King retains the exclusive discretion to determine whether it will pay labor costs for warranty repairs or replacements, and the amount of such costs that it will pay and the time in which the repairs will be made. If Farm King determines that it will pay labor costs for warranty work, it will do so by issuing a credit to the dealer's or distributor's account. Farm King will not approve or pay invoices sent for repairs that Farm King has not previously approved. Warranty service does not extend the original term of this limited warranty.

## Warranty Requirements

To be covered by warranty, each new product must be registered with Farm King within thirty (30) days of delivery to original retail purchaser. If the customer decides to purchase replacement components before the warranty disposition of such components is determined, Farm King will bill the customer for such components and then credit the replacement invoice for those components later determined to be covered by this limited warranty. Any such replacement components that are determined not to be covered by this limited warranty will be subject to the terms of the invoice and shall be paid for by the purchaser.

## EXCLUSIVE EFFECT OF WARRANTY AND LIMITATION OF LIABILITY

TO THE EXTENT PERMITTED BY LAW, FARM KING DISCLAIMS ANY WARRANTIES, REPRESENTATIONS, OR PROMISES, EXPRESS OR IMPLIED, AS TO THE QUALITY, PERFORMANCE, OR FREEDOM FROM DEFECT OF THE COMPONENTS AND PARTS COVERED BY THIS WARRANTY AND NOT SPECIFICALLY PROVIDED FOR HEREIN.

TO THE EXTENT PERMITTED BY LAW, FARM KING DISCLAIMS ANY IMPLIED WARRANTIES OF MERCHANTABILITY AND FITNESS FOR A PARTICULAR PURPOSE ON ITS PRODUCTS COVERED HEREIN, AND DISCLAIMS ANY RELIANCE BY THE PURCHASER ON FARM KING'S SKILL OR JUDGMENT TO SELECT OR FURNISH GOODS FOR ANY PARTICULAR PURPOSE. THE PURCHASER'S ONLY AND EXCLUSIVE REMEDIES IN CONNECTION WITH THE BREACH OR PERFORMANCE OF ANY WARRANTY ON FARM KING'S PRODUCTS ARE THOSE SET FORTH HEREIN. IN NO EVENT SHALL FARM KING BE LIABLE FOR INCIDENTAL OR CONSEQUENTIAL DAMAGES (INCLUDING, BY WAY OF EXAMPLE ONLY AND NOT LIMITATION, LOSS OF CROPS, LOSS OF PROFITS OR REVENUE, OTHER COMMERCIAL LOSSES, INCONVENIENCE, OR COST OF REPLACEMENT OF RENTAL EQUIPMENT). IN NO EVENT SHALL FARM KING'S CONTRACT OR WARRANTY LIABILITY EXCEED THE PURCHASE PRICE OF THE PRODUCT. (Note that some states do not allow limitations on how long an implied warranty lasts or the exclusion or limitation of incidental or consequential damages, so the above limitations and exclusion may not apply to you.) This warranty gives you specific legal rights and you may also have other rights, which vary from state to state.

Farm King neither assumes nor authorizes any person or entity, including its selling representatives, to assume any other obligations or liability in connections with the sale of covered equipment, or to make any other warranties, representations, or promises, express or implied, as to the quality, performance, or freedom from defect of the components and parts covered herein. No one is authorized to alter, modify, or enlarge this limited warranty, or its exclusions, limitations and reservations.

Corrections of defects and improper workmanship in the manner, and for the applicable time periods, provided for herein shall constitute fulfillment of all responsibilities of Farm King to the purchaser, and Farm King shall not be liable in negligence, contract, or on any other basis with respect to the subject equipment.

This limited warranty is subject to any existing conditions of supply which may directly affect Farm King's ability to obtain materials or manufacturer replacement parts.

Buhler Industries Inc. reserves the right to make improvements in design or changes in specifications to its products at anytime, without incurring any obligation to owners of units previously sold.



[www.farm-king.com](http://www.farm-king.com)

# Farm King

301 Mountain Street South  
Morden, Manitoba Canada R6M 1X7  
Toll Free: 888.524.1004  
E-mail: [info@buhler.com](mailto:info@buhler.com)  
[www.farm-king.com](http://www.farm-king.com)

Equipment shown is subject to change without notice.  
©2018 Buhler Trading Inc. Printed in CAN. TSX: BUI

**bühler** | a division of Buhler Industries Inc.