

DEMCO

HARVEST EQUIPMENT

RELIABLE • EASY TO OPERATE • EFFICIENT • SAFE



Doing Our Best to Provide You the Best
www.demco-products.com • 1.800.543.3626



DUAL AUGER GRAIN CARTS

2200

1700

1300

1100



Narrow transport width and low profile design

"The ability to adjust the height of the auger is a feature that is very beneficial during windy harvest conditions."
-Carl Z.

Bigger doesn't necessarily mean better, but it can mean more efficient! Our large capacity grain carts are loaded with features which provide operator convenience & comfort, and help make your harvest operation productive and smooth.



COLORS AVAILABLE:    



UNMATCHED FORWARD REACH
Grain cart operator has full visibility while unloading without having to turn around



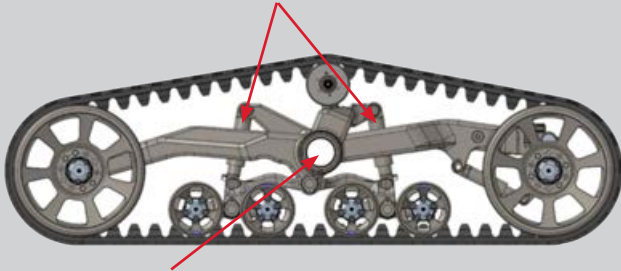
PTO DRIVEN DRIVETRAIN
Gearbox includes 20" horizontal drag and 22" diameter vertical



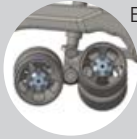
EXTRA SPOUT CLEARANCE
Beneficial in hilly terrain

RELIABLE • EASY TO OPERATE • EFFICIENT • SAFE

Suspension cylinders connected together for constant load distribution



Note how the grain cart axle is stable as each track axle goes over the bump



Each bogie axle rolls independently allowing maximum belt/ground contact and minimal wear/heating in transport, especially on crowned roads

LANDFLEX TRACKS™ with EARTHFORM™ Suspension

- **Industry's only fully independent suspension system**
 - Allows faster transport speed with less grain spillage in the field
 - Reduces shock and vibration into the grain cart frame which improves cart life
 - Provides higher transport speed on the road
- **Large rack footprint reduces ground pressure** - even with high capacity
- **Hydraulic tensioning of belts**
 - Accommodates larger soil buildup between idlers and belt
 - Reduces potential for belt de-tracking in turns
 - Easier to change belts if necessary
- **Adjustment mechanism allows fine tuning belt alignment**
- **Low maintenance**
 - All wheel bearing operate in an oil bath with metal face seals
 - Transparent hub caps provide easy oil level checking



Scan the QR code for more information on the track system



Unlike other large capacity grain carts, these Demco grain carts have a corner auger design providing excellent visibility. Demco's Dual Auger Grain Carts have a PTO driven drag auger. **These large capacity grain carts are unmatched in the industry with convenient features, first-rate quality, and excellent efficiency for your harvest operation.**



NOTE: Demco grain carts are not to be towed down the road loaded



LIBRA CART

A tablet and smartphone-based grain cart weighing and data management system.



EASY TO FUNCTION IN THE DARK

BACK LIT PENDANT GRIP

Ergonomic pendant operates grain flow gate, auger fold, and adjustable spout and height adjust.



Unload auger height adjust

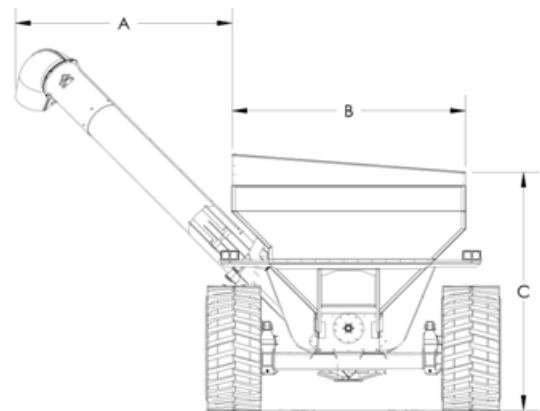
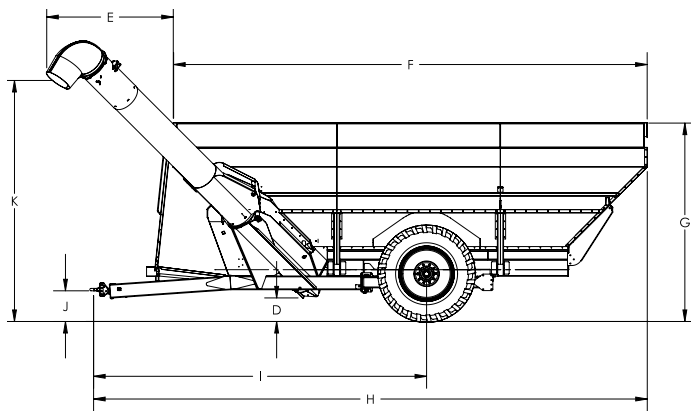
1100, 1300, 1700, 2200 DUAL AUGER GRAIN CARTS

GRAIN CART SPECIFICATIONS

Model	1100	1300	1700	2200
Level Full Capacity	1150	1325	1750	2200
Heaped Full Capacity	1250	1425	1900	2350
Vertical Unload Auger	22"	22"	22"	22"
Horizontal Drag Auger	20"	20"	20"	20"
Unloading Time (bu/min.)	600	600	600	600
Spindle Size	5 1/2"	5 1/2"	5 1/2"	5 1/2"
Tractor HP Required	275	275	350	400
Hub Size	10 bolt or 20 bolt	20 bolt	10 bolt	10 bolt
Tread Width	12'2"	12'2"	13'5"	13'7"
Tongue Weight Empty	3,900 lbs.	4120 lbs.	4530 lbs.	5000 lbs.
Tongue Weight Loaded	5,500 lbs.	6000 lbs.	5100 lbs.	6500 lbs.
Total Weight- Wheels/Tires & Tarp	22,540 lbs.	24,460 lbs.	31,700	35,080 lbs.
Total Weight- Wheels/Tracks & Tarp	29,300 lbs.	31,300 lbs.	39,000	42,440 lbs.
Rear Ground Clearance	2'10"	2'10"	2'10"	2'10"

* Bushel capacity measured with #2 corn at 15% moisture content (56 lb. test weight)

PHYSICAL SIZE



	1100	1300	1700	2200
A Auger extends to side	10'11" to 8'	10'11" to 8'	10'4" to 7'5"	10'4" to 7'5"
B Box width (transport)	11'9"	11'9"	14'	14'
C Box height (low side)	11'	11'	11'1"	11'8"
D Ground clearance	18"	18"	2'10"	2'10"
E Auger extends to front	11'7"	11'7"	12'	12'
F Box length	25'2"	28'7"	30'6"	33'11"
G Box height (high side)	12'	12'	11'8"	12'10"
H Total length	34'3"	37'8"	38'7"	42'
I Axle to tongue length	22'3"	23'10"	--	--
J Drawbar/tongue height (adj)	1'3"	1'3"	1'3"	1'3"
K Auger clearance height	11'8" to 15'7"	11'8" to 15'7"	12' to 16'	12' to 16'

Some dimensions may vary due to tire size

RELIABLE • EASY TO OPERATE • EFFICIENT • SAFE

DEMCO

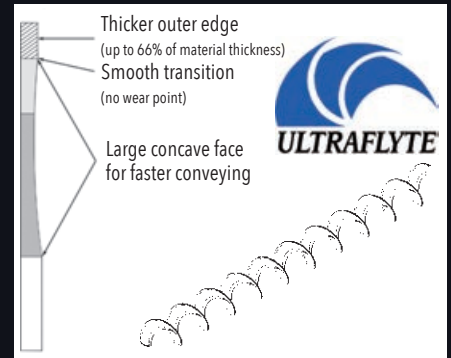
SINGLE AUGER GRAIN CARTS

1100

1000

Designed with the operator in mind, Demco's new 1,000 & 1,100 bushel corner auger grain carts allow the operator optimal visibility while unloading grain. New features on these models include a 20" balanced auger with 3/8" Ultraflyte auger flighting, and an optional 5 point scale system. Demco grain carts are tough and reliable allowing the operator maximum uptime for an efficient harvest.

NOTE: Demco grain carts are not to be towed down the road loaded



UltraFlyte flighting for less wear and faster conveying

1000, 1100 SINGLE AUGER GRAIN CARTS

GRAIN CART SPECIFICATIONS

Model	1000	1100
Level Full Capacity	1000	1100
Heaped Full Capacity	1100	1200
Balance Auger Size	20"	20"
Unloading Time (bu./min.)	up to 550	up to 550
Spindle Size	5 1/2"	5 1/2"
Tractor HP Required	175	175
Hub Size	10 bolt	10 bolt
Tread Width	w/ 900 tires: 13'5" w/ 1050 tires: 15'	w/ 900 tires: 13'5" w/ 1050 tires: 15'
Tongue Weight Empty	N/A	1210 lbs.
Tongue Weight Loaded	N/A	4725 lbs.
Total Weight- Wheels/Tires & Tarp	N/A	13,110 lbs.
Total Weight- Wheels/Tracks & Tarp	N/A	19,300 lbs.
Rear Ground Clearance	16"	16"

* Bushel capacity measured with #2 corn at 15% moisture content (56 lb. test weight)



UNMATCHED FORWARD REACH

Grain cart operator has full visibility while unloading without having to turn around





SINGLE AUGER GRAIN CARTS

1272

850

750

650

Demco's grain cart is built rugged for heavy loads. The chassis is extra heavy duty to stand up to fields with imperfect terrain when the cart is fully loaded.

The slope design of the box insures hassle-free unloading. Driven by an automatic overrunning slip clutch PTO shaft, the balanced auger and gearbox are protected from high torque start-ups associated with handling high moisture grain.

Demco Grain Carts are the most user-friendly grain carts on the market!



SUPERIOR CLEAN-OUT

The slope of gravity flow cart allows for fast clean-out



POSI-DRIVE COUPLER

Eliminates noise and shock when engaging



EASY TO FUNCTION IN THE DARK

BACK LIT PENDANT GRIP

Optional ergonomic pendant operates grain flow gate, auger fold, and adjustable spout

RELIABLE • EASY TO OPERATE • EFFICIENT • SAFE

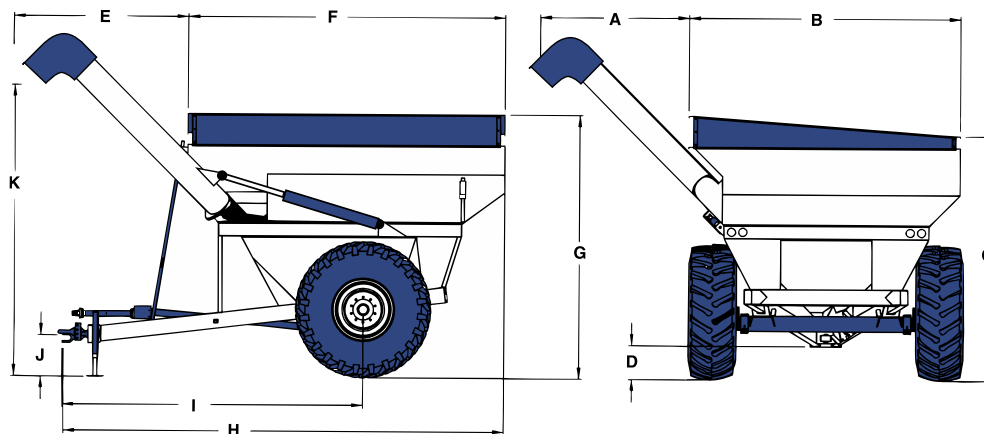
650, 750, 850, AND 1272 SINGLE AUGER GRAIN CARTS

GRAIN CART SPECIFICATIONS

Model	650	750	850	1272*
Level Full Capacity	625 bu.	700 bu.	850 bu.	1200 bu.
Heaped Capacity	675 bu.	725 bu.	925 bu.	1300 bu.
Balanced Auger Size	14"	14"	18"	20"
Unloading Time (bu./min.)	250	250	400	530
Spindle Size	4 1/2"	4 1/2"	4 1/2"	5 1/2"
Tractor HP Required	150+	150+	175+	200+
Hub Size	10 bolt	10 bolt	10 bolt	10 bolt
Tread Width (stand.)	120"	120"	120"	112"
Tread Width (opt.)	120-144"	120-144"	120-144"	NA
Tongue Frame	4"x10"	4"x10"	4"x10"	4"x10"
Tongue Weight (empty)	1,190 lbs.	1,240 lbs.	1,000 lbs.	1,750 lbs.
Tongue Weight (loaded)	2,600 lbs.	2,900 lbs.	3,800 lbs.	6,000 lbs.
Roll Top Tarp	Optional	Optional	Optional	Optional
Scale	Optional	Optional	Optional	Optional
Weight/Wheels & Tires	7,560 lbs.	8,220 lbs.	10,490 lbs.	20,500 lbs.
Weight/Tracks	NA	NA	16,500 lbs.	25,320 lbs.

Bushel capacity measured with #2 corn at 15% moisture content (56 lb. test weight)

* 1102/1272 track units will increase the carts capacity 20 to 30 bushels



PHYSICAL SIZE

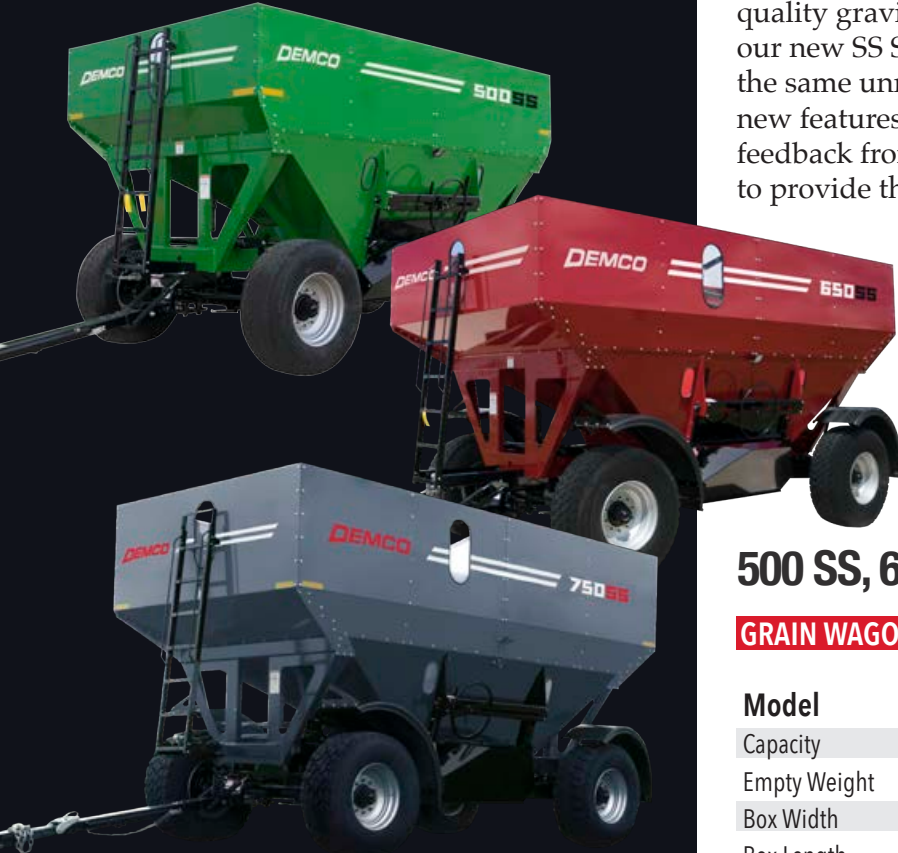
Model	650	750	850	1272
A Auger extends to side	7'7"	7'7"	9'5"	9'7"
B Box width (transport)	11'11"	11'11"	12'	11'11"
C Height, low side	10'11"	11'1"	11'	11'3"
D Ground clearance	18"	18"	17"	16"
E Auger extends to front	7'1"	7'1"	7'6"	4'4"
F Box length	14'	14'	20'1"	24'3"
G Box height (high side)	11'9"	12'6"	12'	12'5"
H Total length	20'	20'	25'11"	30'10"
I Axle to tongue length	13'6"	13'6"	15'3"	19'2"
J Drawbar/tongue height	22"	22"	18"	20"
K Auger clearance height	14'	14'	14'9"	13'9"

NOTE: Demco grain carts are not to be towed down the road loaded

DEMCO

GRAIN WAGONS

500 SS, 650 SS, 750 SS



Stronger and Safer. Since the late 70's growers have counted on Demco for reliable, dependable, and high quality gravity flow wagons. Carrying on this tradition is our new SS Series of gravity flow wagons. You can expect the same unmatched grain flow and durability, with many new features to bring you even more quality. Relying on feedback from our customers over the years, we are proud to provide the SS Series wagons – **Stronger & Safer!**

Demco wagons lead the industry in unloading performance!

COLORS AVAILABLE:



500 SS, 650 SS & 750 SS GRAIN WAGONS

GRAIN WAGON SPECIFICATIONS

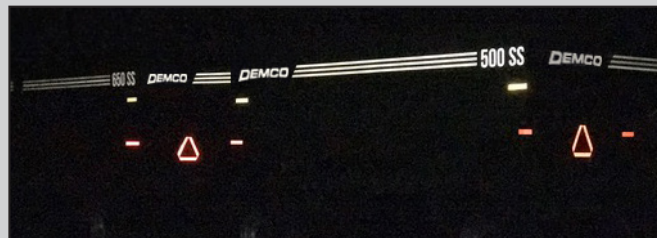
Model	500 SS	650 SS	750 SS
Capacity	500 bu.	650 bu.	750 bu.
Empty Weight	5,980 lbs.	6,700 lbs.	7,280 lbs.
Box Width	94"	108"	108"
Box Length	15'5"	17'8"	17'8"
Overall Height w/ 22.5 tires	9'6"	10'2"	10'10"
Spindle Size	3 1/2"	3 1/2"	3 1/2"
Hub Size	10 bolt	10 bolt	10 bolt
Turning Diameter	37'	37'	37'
Roll Top Tarp	Optional	Optional	Optional
Fenders	Optional	Standard	Standard
Door Opening	60"	60"	60"

* Bushel capacity measured with #2 corn at 15% moisture content (56 lb. test weight)



500 SS & 650 SS 750 SS

Heavy duty torsion bar suspension reduces wagon stress and improves ride and handling



REFLECTIVE DECALS - *Safety First!*

RELIABLE • EASY TO OPERATE • EFFICIENT • SAFE



HEAD TRANSPORTS

Standard, Heavy Duty, All Wheel Steer

With thousands of dollars invested in your corn head and more in your platform, trusting your investment to the best head transport on the market, would only be right!

STANDARD HEAD TRANSPORT

20' • 24' • 28' • 32' • 38' • 42' • 48' • 52'



Torsion flex axles provide a smooth ride

HEAVY DUTY HEAD TRANSPORT

32' • 38' • 42' • 48' • 52'



Standard telescoping tongue and EZ Latch 2 5/16" ball coupler and safety chains

ALL WHEEL STEER HEAD TRANSPORT

32' • 38' • 42' • 48'

Adjustable upper support tube



Torsion flex axles provide a smooth ride

FEATURING DEMCO'S EXCLUSIVE EZ LATCH COUPLER

**Standard on Heavy Duty Head Transports*



NEW neck and fenders on Standard Head Transports and Heavy Duty Head Transports



Demco header transports have become the standard in the industry to help you transport your large, heavy, and expensive combine headers. Ranging from 20' up to 52', the standard tricycle front end and torsion axles offer straight and smooth towing. With the investment you have in today's equipment you can count on the Demco header transport with the original tricycle design to allow maneuverability and reliability second to none in the industry.

There are many imitators to the tricycle design of header transports but the clear leader is Demco. Demco's unique design offers the quality and durability to withstand the heaviest of loads. Whether you are looking for a storage transport or a transport to travel across the country, Demco has your needs covered.



Two fully adjustable ratcheting straps for securing all brands of heads



Standard adjustable slider or draper brackets allow you to carry multiple heads on the same transport



The sealed LED lighting system enables safe towing day and night



ALL WHEEL STEER HEAD TRANSPORT
Heavy duty articulating pivots add strength, durability and provide a short turning radius.



EXTENSIONS & TIP-UPS

Demco combine grain tank extensions and tip-ups are the best in the industry. Our high quality products will not only add to your combine's capacity, but also look great on the combine.

EXTENSIONS

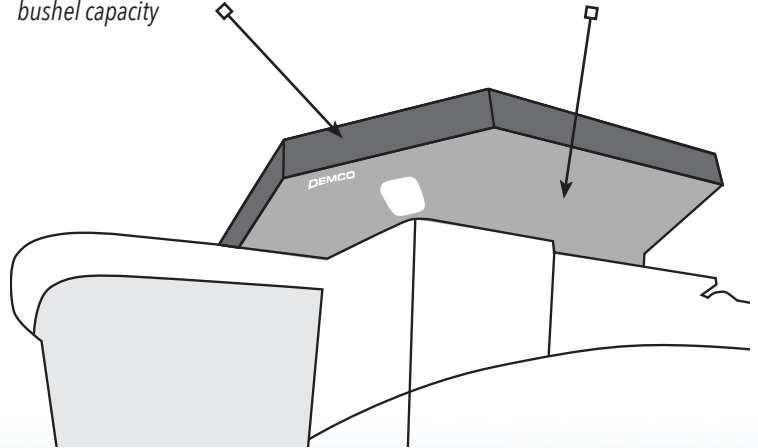
We are proud to be the industry leading provider of grain tank extensions for combines. Demco grain tank extensions provide superior quality, fit, and finish.

TIP-UPS

We offer an extensive array of Tip-Up kits for your combine. A Demco Tip-Up is an economic way to add capacity to your combine and improve your harvest efficiency.

Demco Grain Tank Tip-ups are vertical panels that add to either the Demco Grain Tank Extension or to the factory OEM extension for added bushel capacity

Demco Grain Tank Extension replaces the factory extension for added bushel capacity and lower clearance of the combine



GRAIN TANK EXTENSION

Replaces the factory grain tank extension



XL GRAIN TANK EXTENSION

High capacity to increase harvest efficiency



MANUAL FOLD GRAIN TANK TIP-UPS

Adds capacity to the factory manual fold extension

Demco Tip-Up Kits for OEM (JD – CIH – CNH) power fold extensions will allow you to add capacity without hassle!



DEMCO

TIP-UPS FOR POWER FOLD OEM FACTORY EXTENSIONS

Demco's Tip-Up Kits will fold automatically with the OEM extension. Easy to install, durable, sturdy & built to last! Demco Tip-Up Kits for OEM power fold extensions will assist you every harvest season.

Since 1996, Demco Manufacturing has distributed this Stewart Steel product through our dealership network. Quality engineered and built to provide years of service, extenders offer the ability to extend the unloading auger to allow for greater clearance between the header and cart.

This product is designed to fit a wide variety of combine models, and is available through Demco Manufacturing.

The "Extender" is a Trade Mark of Stewart Steel Inc. and is manufactured in Canada by Stewart Steel Inc.

UNLOADING COMBINE AUGER EXTENDERS™

Easy outer end installation

Narrowing spout for strong grain stream

More clearance between combine and cart

Available For: John Deere, Case, New Holland, Massey, Cat & Gleaner



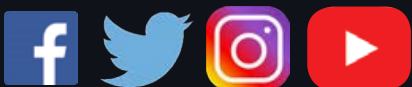


DEMCO

Doing our Best to Provide You the Best! Located in Boyden and Spencer, Iowa, we know farming. Many of our employees also farm. It is this knowledge and experience that helps us understand that we need to listen to farmers to know what is needed to help them get the job done. All of our products – *sprayers, saddle tanks, grain carts, wagons, head transports, and combine tank extensions* – have been developed with customer feedback.



The information contained herein is general in nature and is not intended for specific application purposes. Demco Manufacturing reserves the right to make changes in specifications or products at any time without notice or obligation. Products pictured in this brochure may feature optional equipment.



Doing Our Best to Provide You the Best

4010 320th Street • Boyden, Iowa 51234
1.800.543.3626
www.demco-products.com