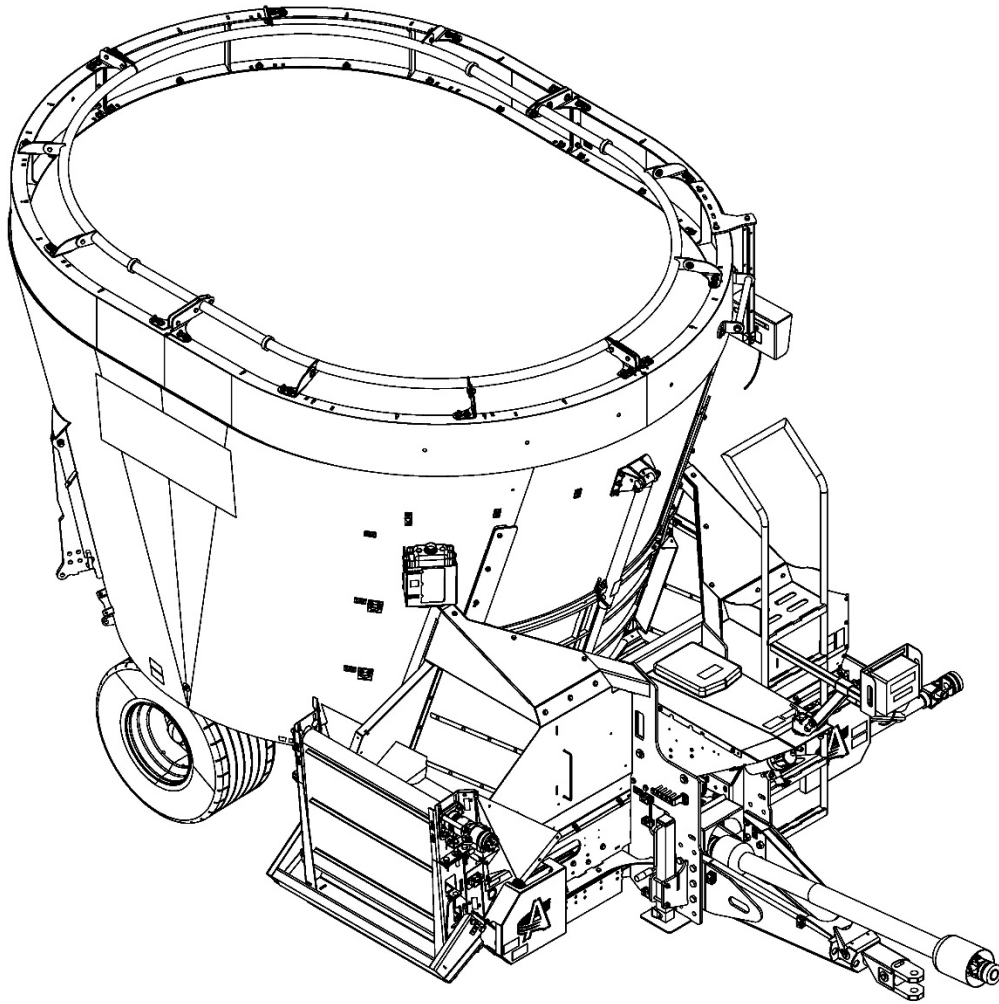




**ANDERSON**

*Smart-mix A450FD*  
*Mixer*  
*Mélangeur*



*Parts Manual*  
*Livre de pièces*  
*2022*

## Content / Contenu

00 – GENERAL / GÉNÉRAL
01 – MIXING CHAMBER / CUVE
02 – AXLE / ESSIEU
03 – NOSE / NEZ
04 – HITCH / TIMON
05 – RESTRICTOR BLADE / CONTRE-COUTEAU
06A – AUGER / VIS
06B – OPTION AUGER / OPTION VIS
07 – TRANSFER PANEL / PANNEAU DE TRANSFERT
08 – MANUAL JACK / BÉQUILLE MANUELLE
09 – HATCH / TRAPPE
10 – REAR COVER / BOUCHON
11 – LADDER / ÉCHELLE
12A – REAR TRANSMISSION / TRANSMISSION ARRIÈRE
12B – REAR TRANSMISSION / TRANSMISSION ARRIÈRE (PTO)
12C – TRANSMISSION DIAGRAM / DIAGRAMME DE TRANSMISSION
13A – FRONT TRANSMISSION / TRANSMISSION AVANT / 1HD134Z6
13B – FRONT TRANSMISSION / TRANSMISSION AVANT / 540Z6WG1151P134
13C – FRONT TRANSMISSION / TRANSMISSION AVANT / GBD7321000VP7Z21
13G – 325373 – PTO TRACTOR 1 3/8 Z21 / PTO TRACTEUR 1 3/8 Z21
13K – 325246 – PTO TRACTOR 1 3/8 Z6 / PTO TRACTEUR 1 3/8 Z6
14A – SCALE CONTROL DG500 / CONTRÔLE DE PESÉ DG500
14B – SCALE OPTION / OPTION DE PESÉ
15A - 15D – STICKER LOCATION / EMBLACEMENT DES DÉCALQUES
16 – CAPACITY EXTENSION 6" 12" 18" / REHAUSSE 6" 12" 18"
17 – HAY RETENTION RING / ANNEAU ANTI-DÉBORDEMENT
18A - 18B – BELT HORIZONTAL CONVEYOR / CONVOYEUR HORIZONTAL À COURROIE
18C - 18D – CHAIN HORIZONTAL CONVEYOR / CONVOYEUR HORIZONTAL À CHAÎNE
18E – BELT CONVEYOR OFFSET / DÉPORT CONVOYEUR À COURROIE
18F – CHAIN CONVEYOR OFFSET / DÉPORT CONVOYEUR À CHAÎNE
19A - 19D – INCLINED BELT CONVEYOR 3' TO 8' / CONVOYEUR INCLINÉ À COURROIE 3' À 8'
19E – MOUNTING KIT BELT CONVEYOR / KIT DE MONTAGE CONVOYEUR À COURROIE
20A - 20G – INCLINED CHAIN CONVEYOR 3' TO 8' / CONVOYEUR INCLINÉ À CHAÎNE 3' À 8'
20H – MOUNTING KIT CHAIN CONVEYOR / KIT DE MONTAGE CONVOYEUR À CHAÎNE
21A – 21G – HYDRAULIC DIAGRAM / DIAGRAMME HYDRAULIQUE
22 – ELECTRIC DIAGRAM / DIAGRAMME ÉLECTRIQUE
23 – BUMPER / PARE-CHOC
24A – ADDITIONAL OUTPUT / SORTIE ADDITIONNELLE
24B – HYD. DIAGRAM ADDITIONAL OUTPUT / DIAGRAMME HYD. SORTIE ADDITIONNELLE
25A – MANUAL HYDRAULIC CONTROL / COMMANDE HYDRAULIQUE MANUELLE
25B – HYD. DIAGRAM MANUAL CONTROL / DIAGRAMME HYD. COMMANDE MANUELLE

Pour les commandes de pièces, utilisez le livre de pièces et trouvez l'item dont vous avez besoin et contacter votre revendeur ou contactez-nous directement à :

For any parts order, please use the parts manual to find the item you need and contact your dealer or contact us directly at:

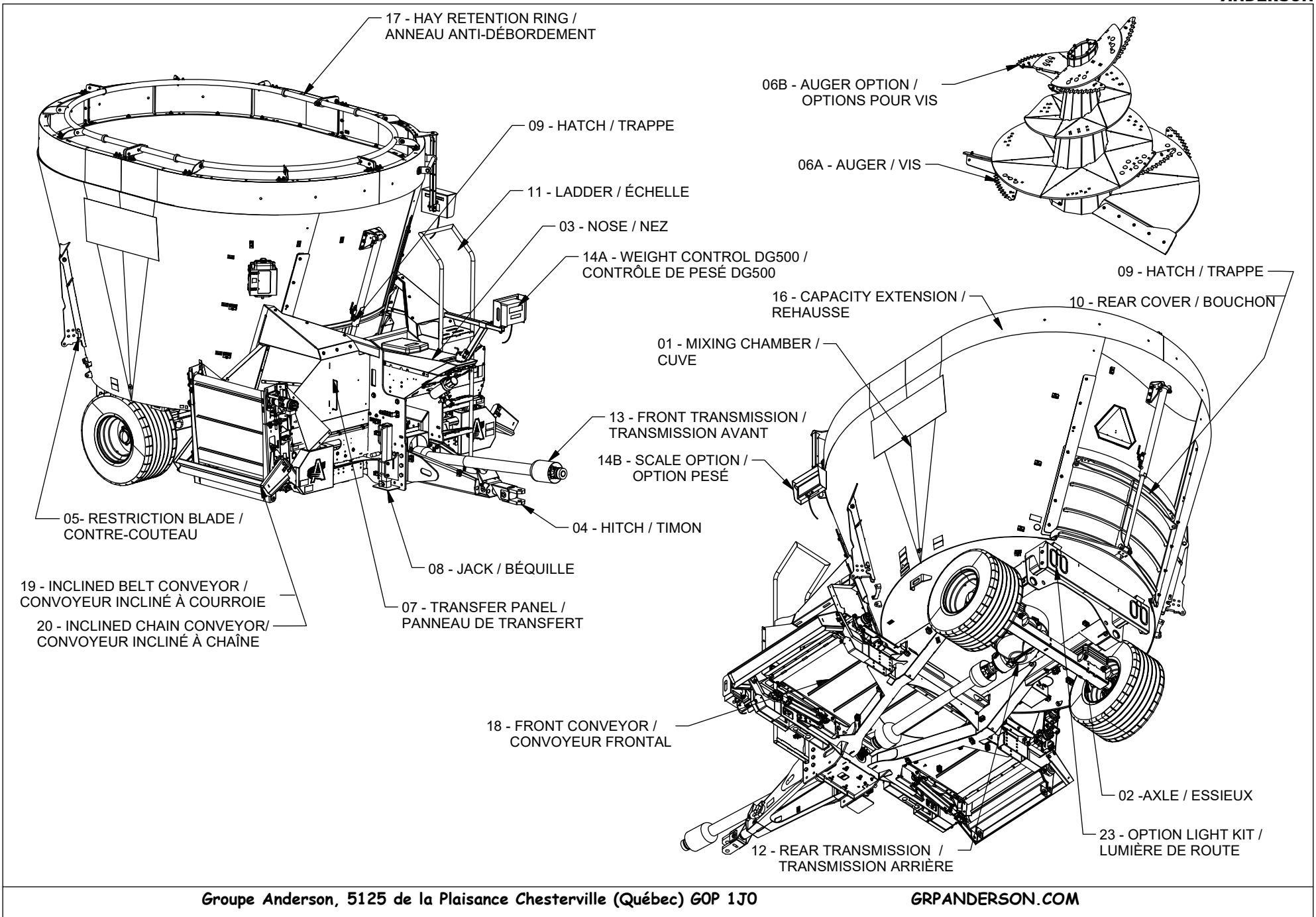
### GRUPE ANDERSON

5125 de la Plaisance  
Chester ville (Québec)  
CANADA G0P 1J0

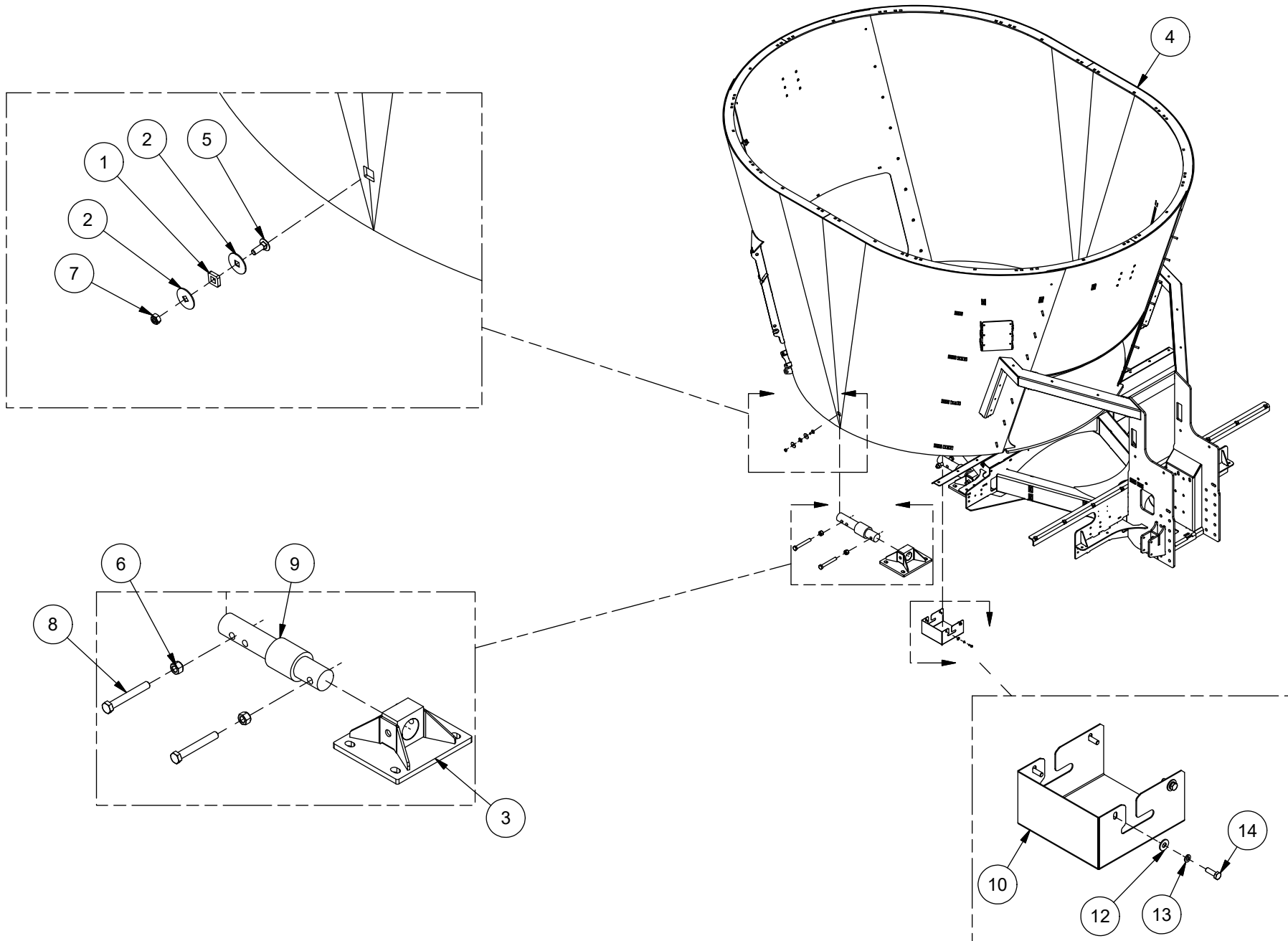
Tel.: 819-382-2952 Fax : (819) 382-2643 Email : [support@grpanderson.com](mailto:support@grpanderson.com)

Visit our website: [grpanderson.com](http://grpanderson.com)

# 00 - GENERAL A450FD / GÉNÉRAL A450FD



# 01 - MIXING CHAMBER / CUVE



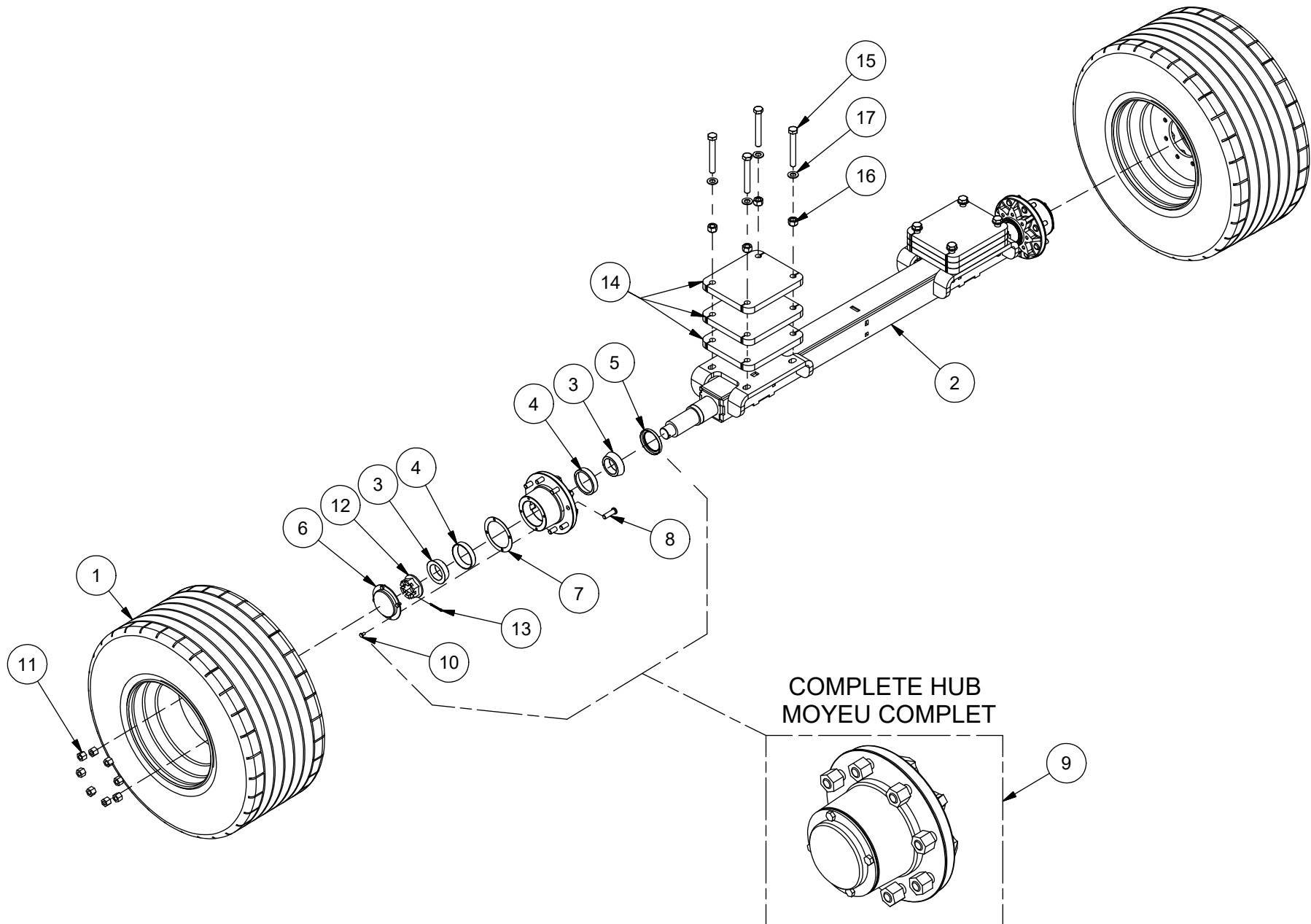
# 01 - MIXING CHAMBER / CUVE



**ANDERSON**

ITEM	QT	PART/PIECE	ENGLISH DESCRIPTION	DESCRIPTION FRANCAISE	NOTE
1	2	090-CUV-115	CARRIAGE SPACER	ESPACEUR DE CARROSSERIE	
2	4	090-CUV-116	CARRIAGE FLAT WASHER	RONDELLE PLATE DE CARROSSERIE	
3	2	091-FRM-AI	LOAD CELL BASE	BASE DE PESON	
4	1	097-CUV-AB	MIXING CHAMBER FRAME	CHÂSSIS DE CUVE	
5	2	500705	CARRIAGE BOLT M10 X 1.50 X 30 CL4.6	BOULON CAROSSERIE M10 X 1.50 X 30 CL4.6	
6	12	506038	NYLON NUT M20 X 2.5	ECROU NYLON M20 X 2.5	
7	2	506039	NYLON NUT M10 X 1.5	ECROU NYLON M10 X 1.5	
8	12	506107	HEX BOLT M20 X 2,5 - 150 CL8.8 Z	BOULON HEX M20 X 2,5 - 150 CL8.8 Z	
9	2	900700	MOBILE LOAD CELL 63.5-CE C+6.5 + ECP	MOBILE LOAD CELL 63.5-CE C+6.5 + ECP	
10	1	090-GRD-058	GUARD	GARDE	
11	2	481533	TIRE	PNEU	
12	4	502014	FLAT WASHER 5/16 Z	RONDELLE PLATE 5/16 Z	
13	4	502046	LOCK WASHER 5/16 Z	RONDELLE DE BLOCAGE 5/16 Z	
14	4	506001	HEX. BOLT M8 X 1.25 X 25mm CL8.8	BOULON HEX. M8 X 1.25 X 25mm CL8.8	

# 02 - STANDRAD AXLE / ESSIEU STANDARD

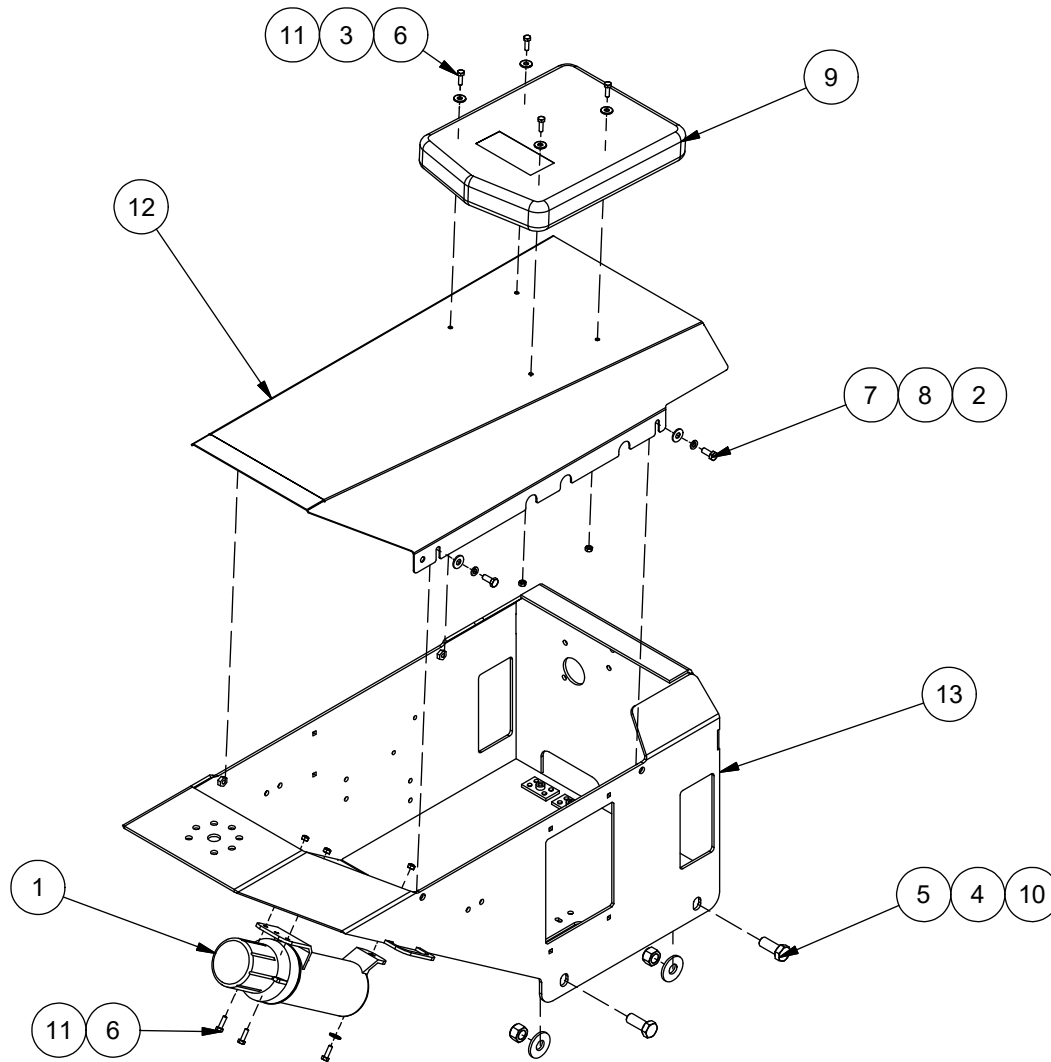


# 02 - STANDRAD AXLE / ESSIEU STANDARD



ITEM	QT	PART/PIECE	ENGLISH DESCRIPTION	DESCRIPTION FRANCAISE	NOTE
1	2	481533	TIRE	PNEU	
2	1	093-ESS-AA	AXLE	ESSIEU	
3	4	303491	BEARING 28995 *	ROULEMENT 28995 *	
4	4	303492	BEARING CUP KOYO-28921 *	CAGE DE ROULEMENT KOYO-28921 *	
5	2	303490	RADIAL SHAFT SEAL 10000 *	JOINT RADIAL 10000 *	
6	2	481020	SEAL	BOUCHON	
7	2	303510	SEAL	JOINT	
8	16	481006	STUD DE HUB 5/8	GOUJON DE MOYEU 5/8	
9	2	481406*	COMPLETE HUB	MOYEU COMPLET	
10	8	500040	HEX BOLT GR5 5/16-18 X 1/2	BOULON HEX GR5 5/16-18 X 1/2	
11	16	501902	HEX WHEEL NUT 5/8-18	ÉCROU DE ROUE 5/8-18	
12	2	501133	HEX CASTLE NUT FLANGE 1 3/4-12	ÉCROU CHÂTEAU À EMBASE HEX GR5 1 3/4-12	
13	2	320002	COTTER PIN	GOUPILLE	
14	6	093-FRM-017	AXLE SPACER	ESPACEUR D' ESSIEUX	
15	8	506107	HEX BOLT M20 X 2,5 - 150 CL8.8 Z	BOULON HEX M20 X 2,5 - 150 CL8.8 Z	
16	8	506038	NYLON NUT M20 X 2.5	ECROU NYLON M20 X 2.5	
17	16	502017	FLAT WASHER SAE 3-4 ZINC	RONDELLE PLATE SAE 3-4 ZINC	

# 03 - NOSE / NEZ



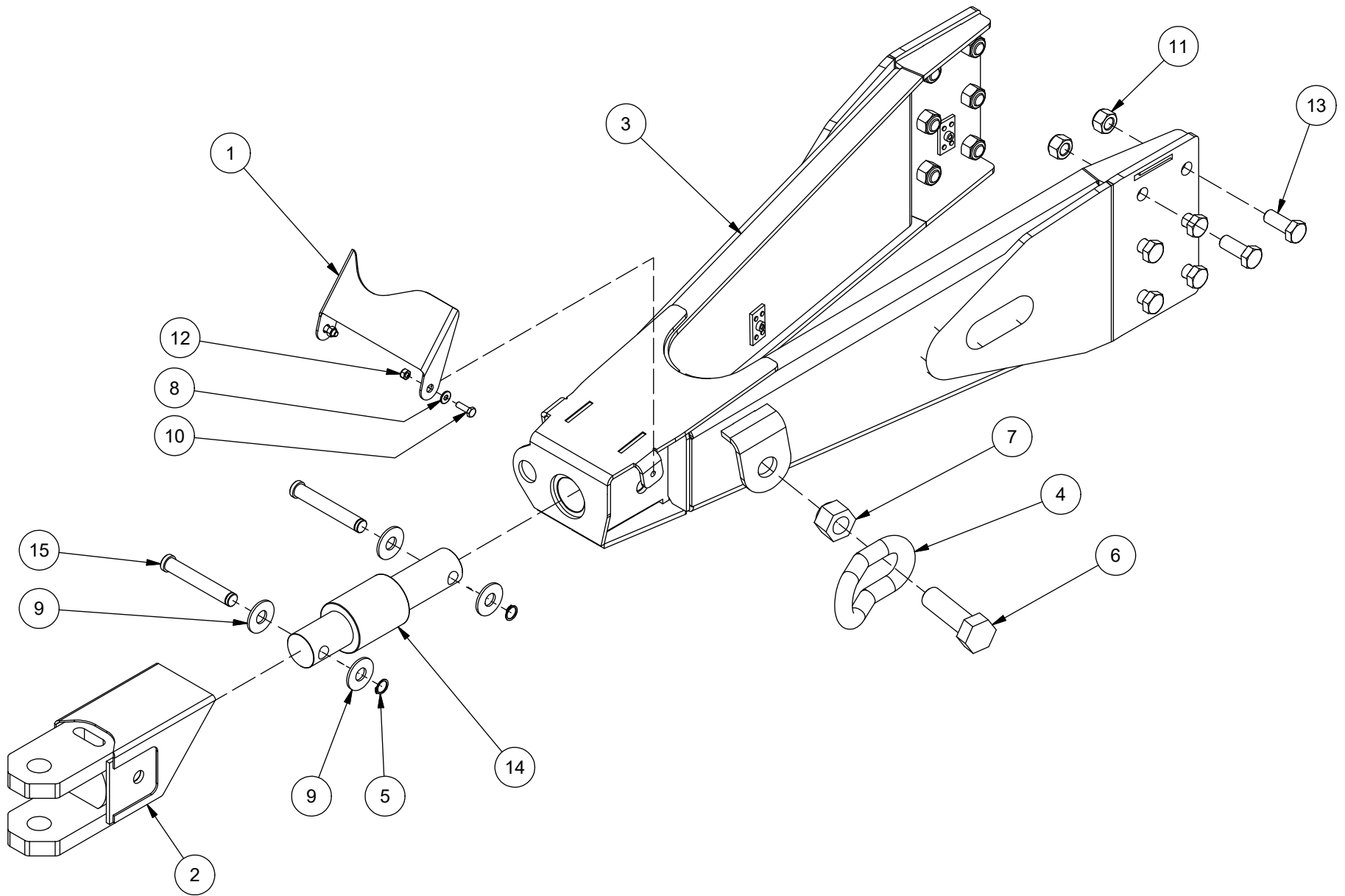


# 03 - NOSE / NEZ



ITEM	QT	PART/PIECE	ENGLISH DESCRIPTION	DESCRIPTION FRANCAISE	NOTE
1	1	325120	MANUAL CASE	COFFRE DU MANUEL	
2	4	502014	FLAT WASHER 5/16 Z	RONDELLE PLATE 5/16 Z	
3	5	502002	FLAT WASHER 1/4 Z	RONDELLE PLATE 1/4 Z	
4	6	502008	FLAT WASHER 5/8 Z	RONDELLE PLATE 5/8 Z	
5	4	506012	HEX. BOLT M16 X 2 X 40mm CL8.8	BOULON HEX. M16 X 2 X 40mm CL8.8	
6	7	506124	HEX. BOLT M6 X 1 X 20mm CL8.8	BOULON HEX. M6 X 1 X 20mm CL8.8	
7	4	506000	HEX. BOLT M8 X 1.25 X 20mm CL8.8	BOULON HEX. M8 X 1.25 X 20mm CL8.8	
8	4	502046	LOCK WASHER 5/16 Z	RONDELLE DE BLOCAGE 5/16 Z	
9	1	325109-1	MANUAL CASE	BOITIER DU MANUEL	
10	4	506037	NYLON NUT M16 X 2	ECROU NYLON M16 X 2	
11	7	506050	HEX NUT M6 X 1	ECROU NYLON M6 X 1	
12	1	091-GRD-034	NOSE CAP	COUVERCLE DU NEZ	
13	1	091-HYD-AA	NOSE FRAME	CHÂSSIS DU NEZ	

# 04 - HITCH / TIMON



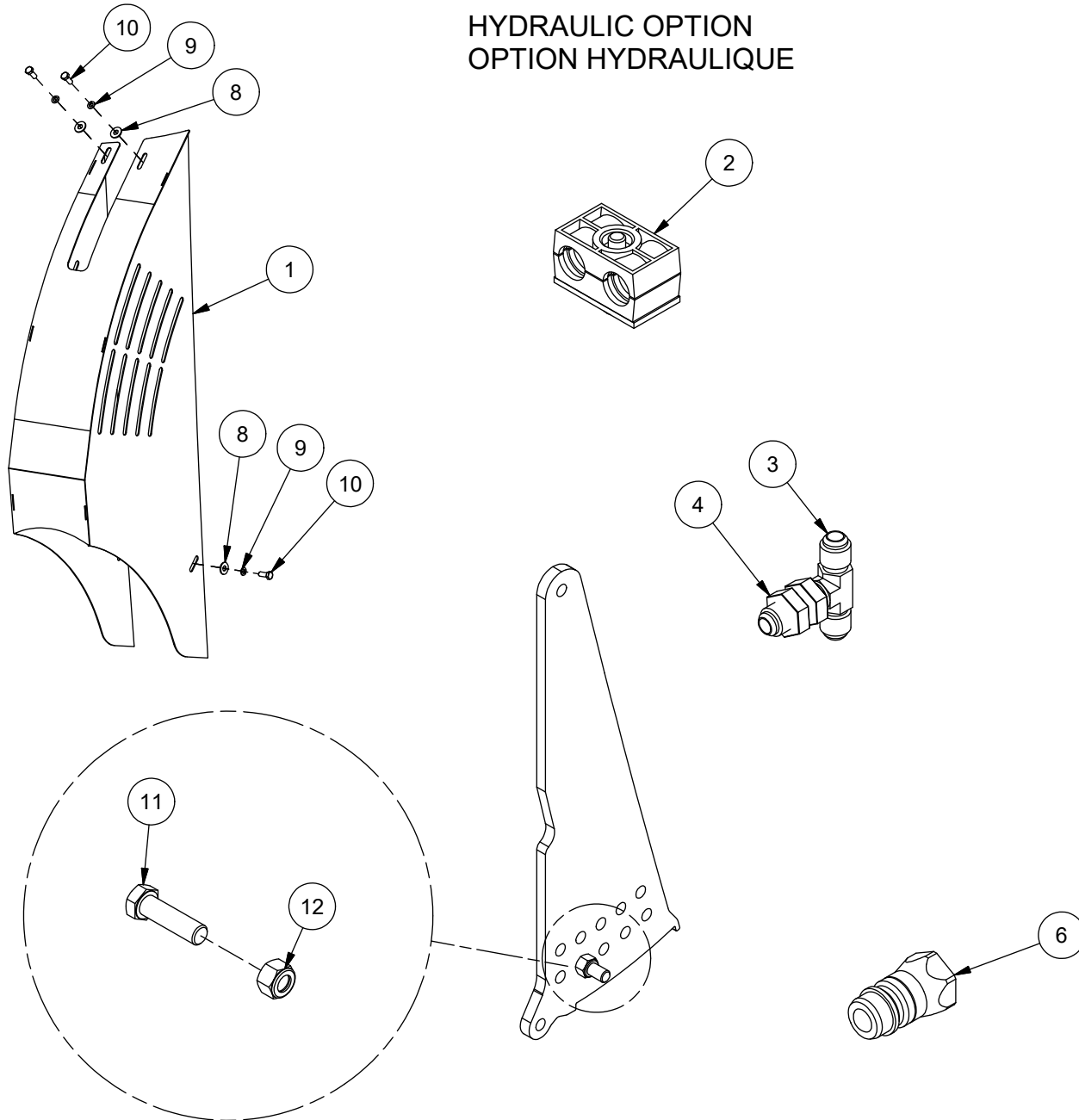
# 04 - HITCH / TIMON



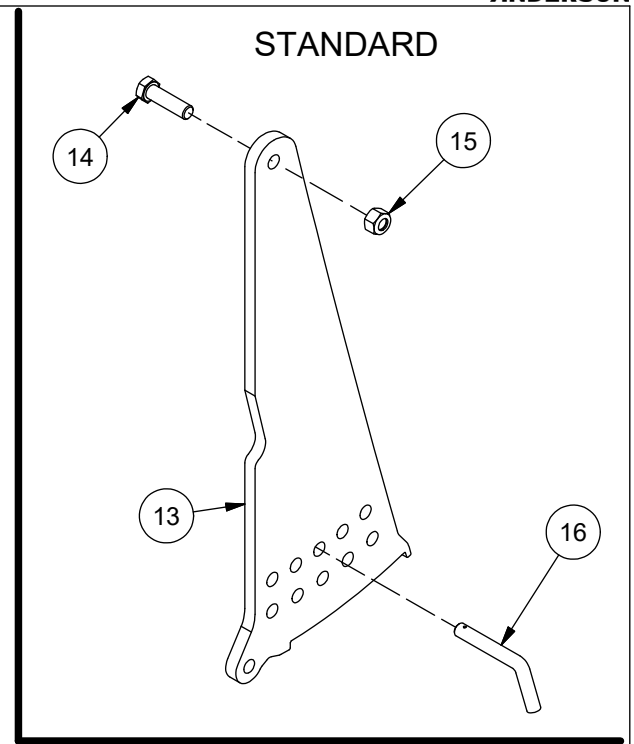
ITEM	QT	PART/PIECE	ENGLISH DESCRIPTION	DESCRIPTION FRANCAISE	NOTE
1	1	091-FRM-156	DRIVE SHAFT SUPPORT	SUPPORT D'ARBRE À TRANSMISSION	
2	1	091-FRM-AL	BOLTED DRAW BAR	MAIN DE REMORQUAGE	
3	1	091-FRM-AP	HITCH FRAME	CHÂSSIS DU TIMON	
4	1	302021	SAFETY CHAIN	CHAINE DE SÉCURITÉ	
5	2	320133	SNAP RING EXT 20MM	BAGUE DE RETENUE EXT 20MM	
6	1	500351	HEX. BOLT 1 1/4 X 4 - NC GR.8	BOULON HEX. 1 1/4 X 4 - NC GR.8	
7	1	501078	HEX NYLON LOCKNUT GR5 1 1/4-7 Z	ÉCROU NYLON IND HEX GR5 1 1/4-7 Z	
8	2	502002	FLAT WASHER 1/4 Z	RONDELLE PLATE 1/4 Z	
9	4	502009	FLAT WASHER 3/4 Z	RONDELLE PLATE 3/4 Z	
10	2	506001	HEX. BOLT M8 X 1.25 X 25mm CL8.8	BOULON HEX. M8 X 1.25 X 25mm CL8.8	
11	12	506038	NYLON NUT M20 X 2.5	ECROU NYLON M20 X 2.5	
12	2	506051	NYLON NUT M8 X 1.25	ECROU NYLON M8 X 1.25	
13	12	506080	HEX. BOLT M16 X 2.5 X 50mm CL8.8	BOULON HEX. M20 X 2.5 X 50mm CL8.8	
14	1	900699	MOBILE LOAD CELL 54-CD	CELLULE DE PESAGE MOBILE 54-CD	
15	2	900784	LOCKING PIN Ø20MM	GOUJON DE BLOCAGE Ø20MM	

# 05 - RESTRICTOR BLADE / CONTRE-COUTEAU

HYDRAULIC OPTION  
OPTION HYDRAULIQUE



STANDARD

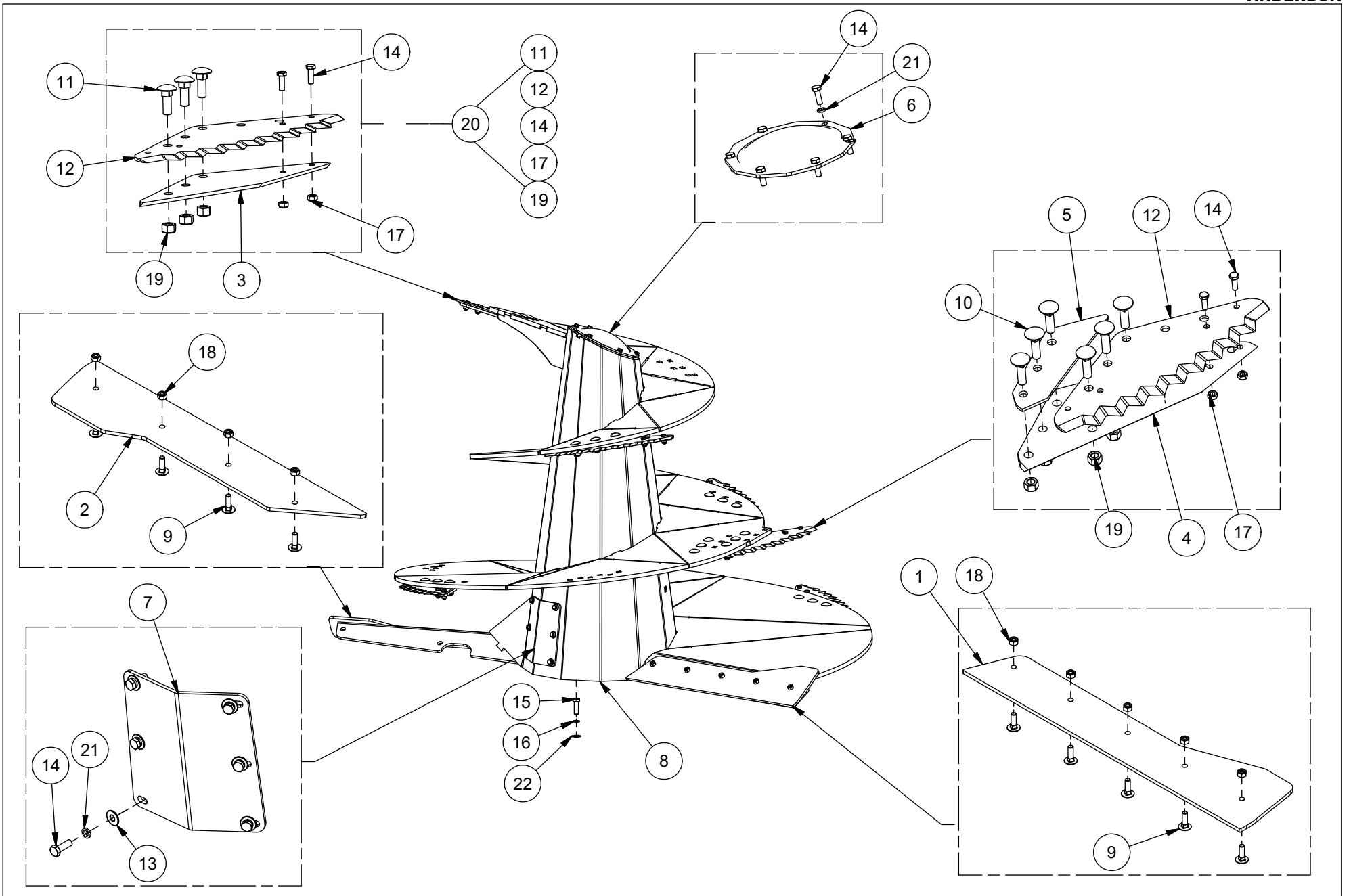


# 05 - RESTRICTOR BLADE / CONTRE-COUTEAU



HYDRAULIC OPTION / OPTION HYDRAULIQUE					
ITEM	QT	PART/PIECE	ENGLISH DESCRIPTION	DESCRIPTION FRANCAISE	NOTE
1	2	095-GRD-AB	RESTRICTOR BLADE GUARD	GARDE DU CONTRE-COUTEAU	
2	10	320009-3	PIPE CLAMP	SUPPORT BOYAU	
3	2	450858	6 M.JIC - 6 M.JIC	6 M.JIC - 6 M.JIC	
4	4	450897	NUT FOR HYDRAULIC FITTING	ÉCROU POUR ADAPTEUR HYDRAULIQUE	
5	4	451258	6 M.JIC - 4 M.ORB 90°	6 M.JIC - 4 M.ORB 90°	
6	2	452000	1/2 QUICK COUPLER NPTM	RACCORD RAPIDE 1/2 NPTM	
7	2	467357	CYLINDER CL 1505-S	CYLINDRE CL1505-S	SEAL KIT #467814
8	8	502014	FLAT WASHER 5/16 Z	RONDELLE PLATE 5/16 Z	
9	8	502046	LOCK WASHER 5/16 Z	RONDELLE DE BLOCAGE 5/16 Z	
10	8	506000	HEX. BOLT M8 X 1.25 X 20mm CL8.8	BOULON HEX. M8 X 1.25 X 20mm CL8.8	
11	2	506128	HEX. BOLT M20 X 2.5 X 70mm CL8.8	BOULON HEX. M20 X 2.5 X 70mm CL8.8	
12	2	506038	NYLON NUT M20 X 2.5	ECROU NYLON M20 X 2.5	
STANDARD					
13	1	090-CUV-039	ADJUSTABLE RESTRICTOR BLADE	CONTRE-COUTEAU AJUSTABLE	
14	1	506128	HEX. BOLT M20 X 2.5 X 70mm CL8.8	BOULON HEX. M20 X 2.5 X 70mm CL8.8	
15	1	506038	NYLON NUT M20 X 2.5	ECROU NYLON M20 X 2.5	
16	1	320162	3/4 PIN	TIGE Plié 3/4	

# 06A - BIG HIGH AUGER / GROSSE VIS HAUTE



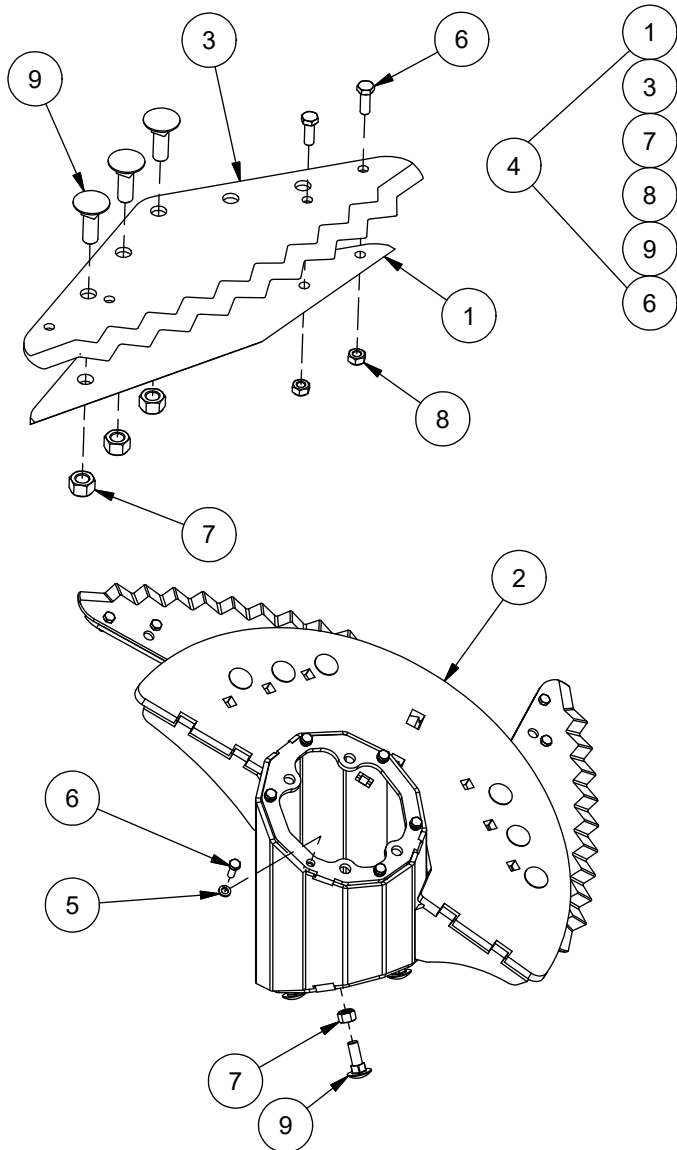
# 06A - BIG HIGH AUGER / GROSSE VIS HAUTE



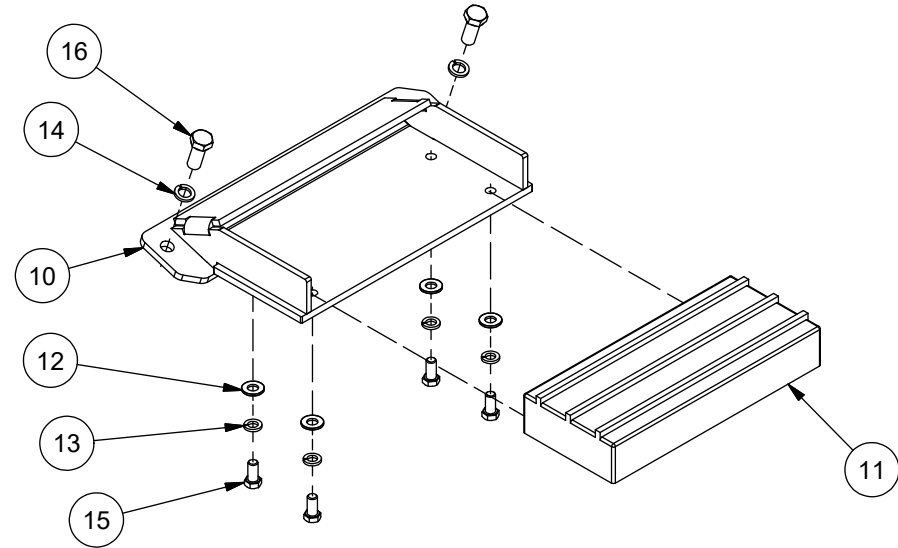
ITEM	QT	PART/PIECE	ENGLISH DESCRIPTION	DESCRIPTION FRANCAISE	NOTE
1	1	090-VIS-018	HELICAL SCRAPER	RACLOIR D'HÉLICE	
2	1	090-VIS-019	SECOND SCRAPER	RACLOIR SECONDAIRE	
3	7	090-VIS-056	STD KNIFE HOLDER FOR SCREW	SUPPORTS À COUTEAUX DES VIS STD	
4	1	090-VIS-211	DEPORT KNIFE HOLDER FOR BIG SCREW	SUPPORT COUTEAU DEPORTER POUR GRANDE VIS	
5	1	090-VIS-212	SHIM DEPORT KNIFE HOLDER FOR BIG SCREW	ESPACEUR SUP.COUTEAU DEPORTER GRANDE VIS	
6	1	090-VIS-AJ	AUGER CAP	CAP DE VIS	
7	2	095-VIS-038	COVER PLATE	COUVERCLE	
8	1	097-VIS-AB	AUGER	VIS	
9	9	507135	CARRIAGE BOLT M12 X 1.75 X 40 CL8.8	BOULON CAROSSERIE M12 X 1.75 X 40 CL8.8	
10	6	506153	CARRIAGE BOLT M16 X 2 X 60 CL8.8	BOULON CAROSSERIE M16 X 2 X 60 CL8.8	
11	21	506154	CARRIAGE BOLT M16 X 2 X 50 CL8.8	CBZ M16 - 2.00 X 50MM CL8.8	
12	8	243065	REVERSIBLE KNIFE	COUTEAU RÉVERSIBLE	
13	12	502004	FLAT WASHER 3/8 Z	RONDELLE PLATE 3/8 Z	
14	34	506009-2	HEX. BOLT M10 X 1.5 X 30mm CL8.8	BOULON HEX. M10 X 1.5 X 30mm CL8.8	
15	15	506076	HEX. BOLT M16 X 2 X 50mm CL8.8	BOULON HEX. M16 X 2 X 50mm CL8.8	
16	15	502049	LOCK WASHER 5/8	RONDELLE DE BLOCAGE 5/8	
17	16	506039	NYLON NUT M10 X 1.5	ECROU NYLON M10 X 1.5	
18	9	506040	NYLON NUT M12 X 1.75	ECROU NYLON M12 X 1.75	
19	27	506037	NYLON NUT M16 X 2	ECROU NYLON M16 X 2	
20	1	243065-KIT	EXTRA KNIFE FOR MIXER	EXTRA COUTEAU POUR MÉLANGEUR	
21	18	502042	LOCK WASHER M10 ZINC	RONDELLE DE BLOCAGE M10 ZINC	
22	15	502008-1	FLAT WASHER 5/8 Z-SAE	RONDELLE PLATE 5/8 Z-SAE	

# 06B - BIG AUGER OPTION / OPTION GROSSE VIS

## AUGER EXTENSION / EXTENSION DE VIS



## MAGNET ON MIXER AUGER / AIMANT SUR VIS MÉLANGEUR





# 06B - BIG AUGER OPTION / OPTION GROSSE VIS



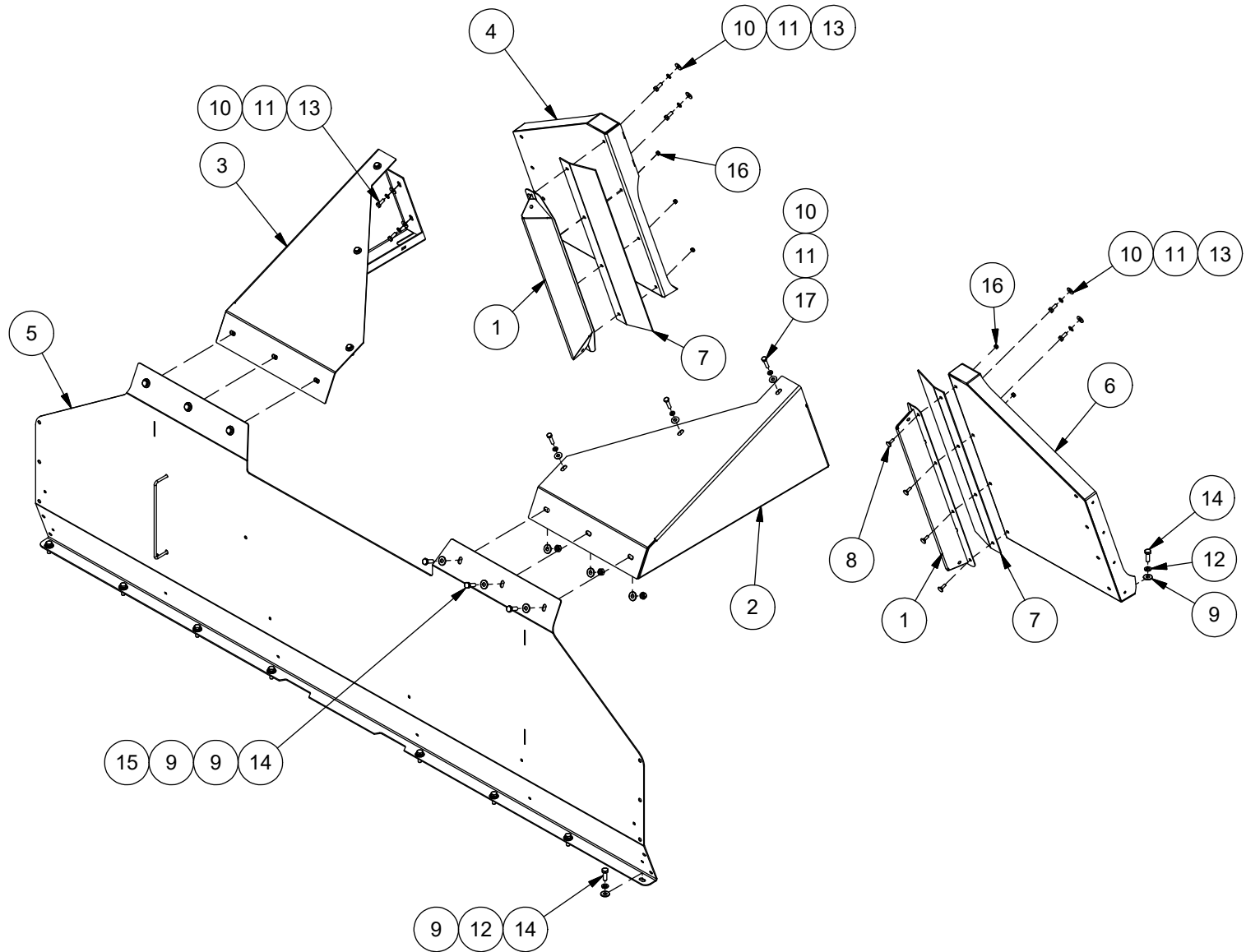
## AUGER EXTENSION / EXTENSION DE VIS

ITEM	QT	PART/PIECE	ENGLISH DESCRIPTION	DESCRIPTION FRANCAISE	NOTE
1	2	090-VIS-056	STD KNIFE HOLDER FOR SCREW	SUPPORTS À COUTEAUX DES VIS STD	
2	1	090-VIS-AL	AUGER EXTENSION	EXTENSION DE VIS	
3	2	243065	REVERSIBLE KNIFE	COUTEAU RÉVERSIBLE	
4	1	243065-KIT	EXTRA KNIFE FOR MIXER	EXTRA COUTEAU POUR MÉLANGEUR	
5	6	502047	LOCK WASHER 7/16	RONDELLE DE BLOCAGE 7/16	
6	10	506009-2	HEX. BOLT M10 X 1.5 X 30mm CL8.8	BOULON HEX. M10 X 1.5 X 30mm CL8.8	
7	12	506037	NYLON NUT M16 X 2	ECROU NYLON M16 X 2	
8	4	506039	NYLON NUT M10 X 1.5	ECROU NYLON M10 X 1.5	
9	12	506154	CARRIAGE BOLT M16 X 2 X 50 CL8.8	CBZ M16 - 2.00 X 50MM CL8.8	

## MAGNET ON MIXER AUGER / AIMANT SUR VIS MÉLANGEUR

ITEM	QT	PART/PIECE	ENGLISH DESCRIPTION	DESCRIPTION FRANCAISE	NOTE
10	1	095-VIS-AI	MAGNET HOLDER	SUPPORT A AIMENT	
11	1	250337	PERMANENT MAGNET NEODYMIUM	AIMENT PERMANENT EN NEODYME	
12	4	502006	FLAT WASHER 1/2 Z-SAE	RONDELLE PLATE 1/2 Z-SAE	
13	4	502048	LOCK WASHER 1/2	RONDELLE DE BLOCAGE 1/2	
14	2	502049	LOCK WASHER 5/8	RONDELLE DE BLOCAGE 5/8	
15	4	506008-1	HEX. BOLT M12 X 1.75 X 25mm CL8.8	BOULON HEX. M12 X 1.75 X 25mm CL8.8	
16	2	506012	HEX. BOLT M16 X 2 X 40mm CL8.8	BOULON HEX. M16 X 2 X 40mm CL8.8	

# 07 - TRANSFER PANEL / PANNEAU DE TRANSFERT

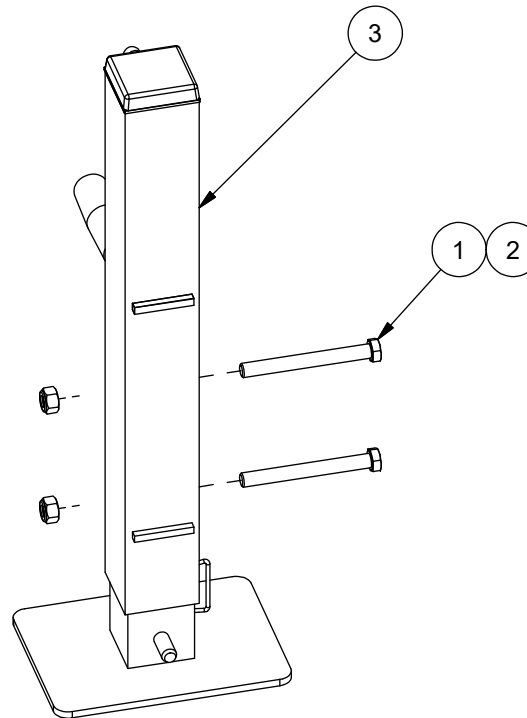


# 07 - TRANSFER PANEL / PANNEAU DE TRANSFERT



ITEM	QT	PART/PIECE	ENGLISH DESCRIPTION	DESCRIPTION FRANCAISE	NOTE
1	2	090-GRD-AJ	GUIDE	GUIDE	
2	1	097-GRD-001	TOP PANEL	PANNEAU DU HAUT	
3	1	097-GRD-002	TOP PANEL	PANNEAU DU HAUT	
4	1	097-GRD-AC	REAR PANEL	PANNEAU ARRIÈRE	
5	1	097-GRD-AD	FRONT PANEL	PANNEAU AVANT	
6	1	097-GRD-AF	REAR PANEL	PANNEAU ARRIÈRE	
7	2	250059	RUBBER BELT I150-2	COURROIE I150-2	
8	8	500706	CBZ M6 X 1.0 X 20 CL8.8	CBZ M6 X 1.0 X 20 CL8.8	
9	26	502004	FLAT WASHER 3/8 Z	RONDELLE PLATE 3/8 Z	
10	14	502014	FLAT WASHER 5/16 Z	RONDELLE PLATE 5/16 Z	
11	14	502046	LOCK WASHER 5/16 Z	RONDELLE DE BLOCAGE 5/16 Z	
12	14	502047	LOCK WASHER 7/16	RONDELLE DE BLOCAGE 7/16	
13	8	506000	HEX. BOLT M8 X 1.25 X 20mm CL8.8	BOULON HEX. M8 X 1.25 X 20mm CL8.8	
14	20	506009-2	HEX. BOLT M10 X 1.5 X 30mm CL8.8	BOULON HEX. M10 X 1.5 X 30mm CL8.8	
15	6	506039	NYLON NUT M10 X 1.5	ECROU NYLON M10 X 1.5	
16	8	506050	HEX NUT M6 X 1	ECROU NYLON M6 X 1	
17	6	506086	HEX. BOLT M8 X 1.25 X 35mm CL8.8	BOULON HEX. M8 X 1.25 X 35mm CL8.8	

# 08 - MANUAL JACK / BÉQUILLE MANUELLE



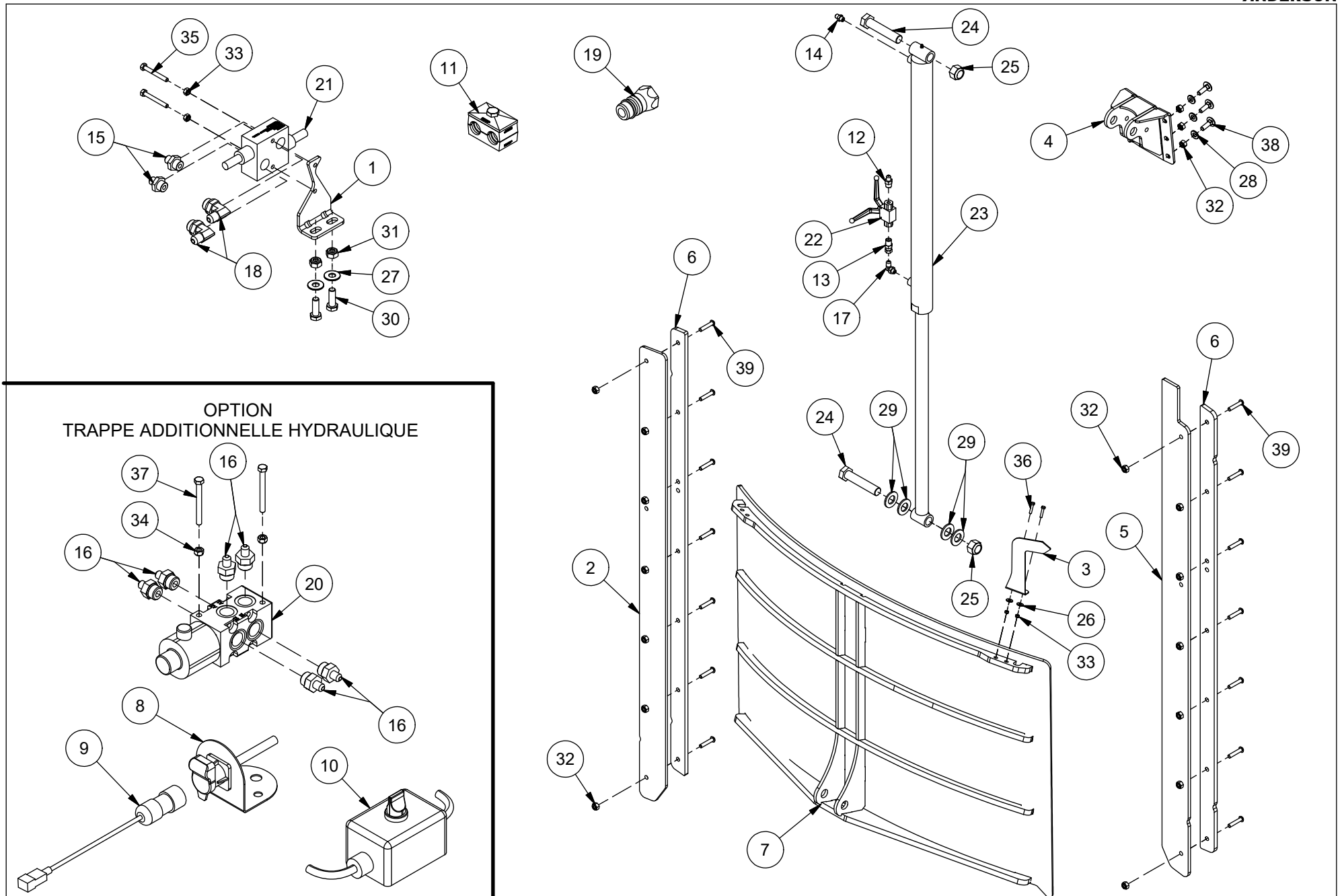
# 08 - MANUAL JACK / BÉQUILLE MANUELLE



**ANDERSON**

ITEM	QT	PART/PIECE	ENGLISH DESCRIPTION	DESCRIPTION FRANCAISE	NOTE
1	2	506146	HEX. BOLT M12 X 1.75 X 110mm CL8.8	BOULON HEX. M12 X 1.75 X 110mm CL8.8	
2	2	506040	NYLON NUT M12 X 1.75	ECROU NYLON M12 X 1.75	
3	1	233460	JACK	BÉQUILLE	

# 09 - HATCH / TRAPPE

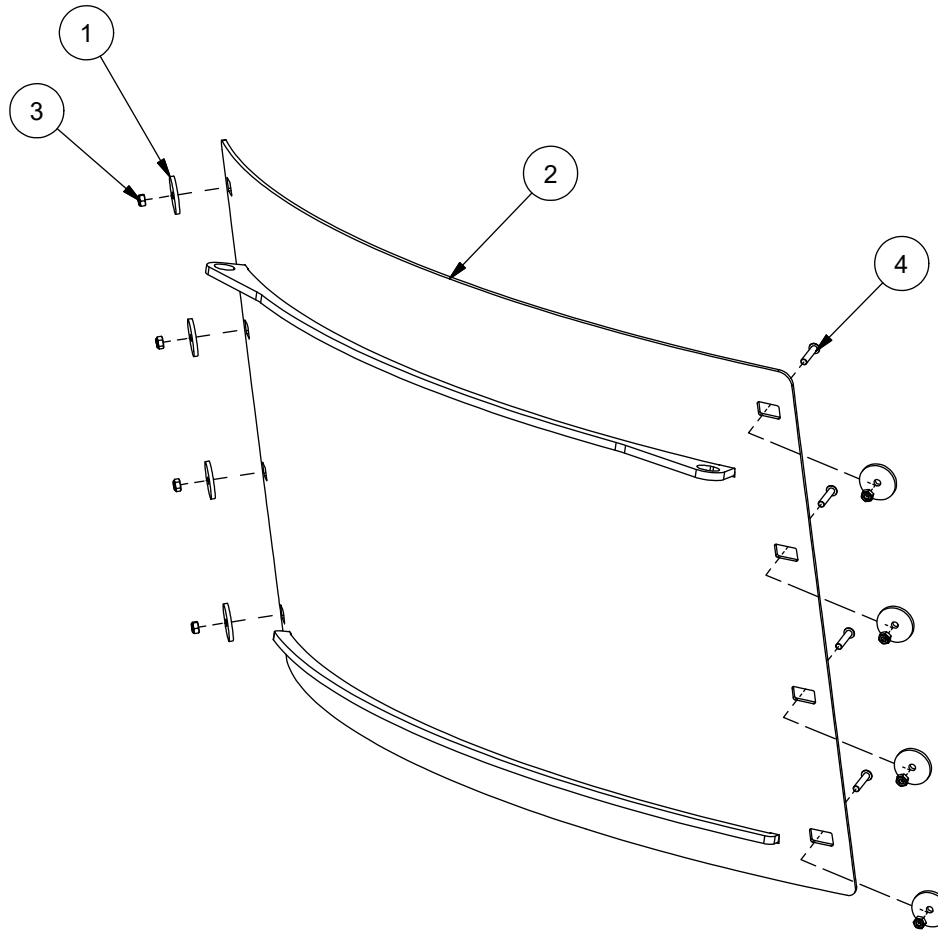


# 09 - HATCH / TRAPPE



ITEM	QT	PART/PIECE	ENGLISH DESCRIPTION	DESCRIPTION FRANCAISE	NOTE
1	1	090-HYD-002	RELIEF VALVE SUPPORT	SUPPORT DE LIMITEUR DE PRESSION	
2	1	090-TRP-095	HATCH GUIDE	GUIDE DE TRAPPE	
3	1	090-TRP-118	HATCH OPENNING INDICATOR	INDICATEUR D'OUVERTURE DE TRAPPE	
4	1	090-TRP-AN	HATCH CYLINDER SUPPORT	SUPPORT DE CYLINDRE POUR TRAPPE	
5	1	091-TRP-055	HATCH GUIDE	GUIDE DE TRAPPE	
6	2	091-TRP-066	HATCH GUIDE	GUIDE DE TRAPPE	
7	1	095-TRP-AF	HATCH	TRAPPE	
8	1	240142	POWER SUPPLY 25 amp	PRISE DE COURANT 25 amp	
9	1	315273	POWER EXTENSION CABLE	FIL RALLONGE D'ALIMENTATION	
10	1	315277	SINGLE SWITCH	INTERRUPTEUR SIMPLE	
11	8	320009-3	PIPE CLAMP	SUPPORT BOYAU	
12	1	450542	6 M.JIC - 6 M.NPT	6 M.JIC - 6 M.NPT	
13	1	450994	6 F.JIC - 6 M.NPT	6 F.JIC - 6 M.NPT	
14	1	451171	6 M.JIC- 6M.ORB	6 M.JIC- 6M.ORB	
15	2	451172	6 M JIC - 8 M ORB	6 M JIC - 8 M ORB	
16	6	451173	6 M.JIC - 10 M.ORB	6 M.JIC - 10 M.ORB	
17	1	451260	6 M.JIC - 6 M.ORB 90°	6 M.JIC - 6 M.ORB 90°	
18	2	451261	6 M.JIC - 8 M.ORB	6 M.JIC - 8 M.ORB	
19	2	452000	1/2 QUICK COUPLER NPTM	RACCORD RAPIDE 1/2 NPTM	
20	1	465930	HYDRAULIC VALVE	VALVE HYDRAULIQUE	
21	1	466004	CUSHION VALVE	LIMTEUR DE PRESSION	
22	1	466998	HYDRAULIC VALVE	VALVE HYDRAULIQUE	
23	1	467355	CYLINDER HBU 2030-S	CYLINDRE HBU 2030-S	SEAL KIT #467833
24	2	500333	HEX BOLT GR5 1-8 X 5 Z	BOULON HEX GR5 1-8 X 5 Z	
25	2	501037	HEX NYLON LOCKNUT GR5 1-8 Z	ÉCROU NYLON IND HEX GR5 1-8 Z	
26	2	502002	FLAT WASHER 1/4 Z	RONDELLE PLATE 1/4 Z	
27	2	502004	FLAT WASHER 3/8 Z	RONDELLE PLATE 3/8 Z	
28	6	502006	FLAT WASHER 1/2 Z-SAE	RONDELLE PLATE 1/2 Z-SAE	
29	4	502011-1	FLAT WASHER SAE 1 in ZINC	RONDELLE PLATE SAE 1 po ZINC	
30	2	506009-2	HEX. BOLT M10 X 1.5 X 30mm CL8.8	BOULON HEX. M10 X 1.5 X 30mm CL8.8	
31	2	506039	NYLON NUT M10 X 1.5	ECROU NYLON M10 X 1.5	
32	20	506040	NYLON NUT M12 X 1.75	ECROU NYLON M12 X 1.75	
33	4	506050	HEX NUT M6 X 1	ECROU NYLON M6 X 1	
34	2	506051	NYLON NUT M8 X 1.25	ECROU NYLON M8 X 1.25	
35	2	506085	HEX. BOLT M6 X 1 X 50mm CL8.8	BOULON HEX. M6 X 1 X 50mm CL8.8	
36	2	506109	HEX. BOLT M6 X 1 X 20mm CL8.8	BOULON HEX. M6 X 1 X 20mm CL8.8	
37	2	506122	HEX. BOLT M8 X 1.25 X 80mm CL8.8	BOULON HEX. M8 X 1.25 X 80mm CL8.8	
38	6	507135	CARRIAGE BOLT M12 X 1.75 X 40 CL8.8	BOULON CAROSSERIE M12 X 1.75 X 40 CL8.8	
39	14	507150	BOTTOM SOCKET HEAD M10-1.5 X 50 FT CL12.9	VIS A TETE RONDE 6 PANS M10-1.5 X 50 FT CL12.9	

# 10 - REAR COVER / BOUCHON





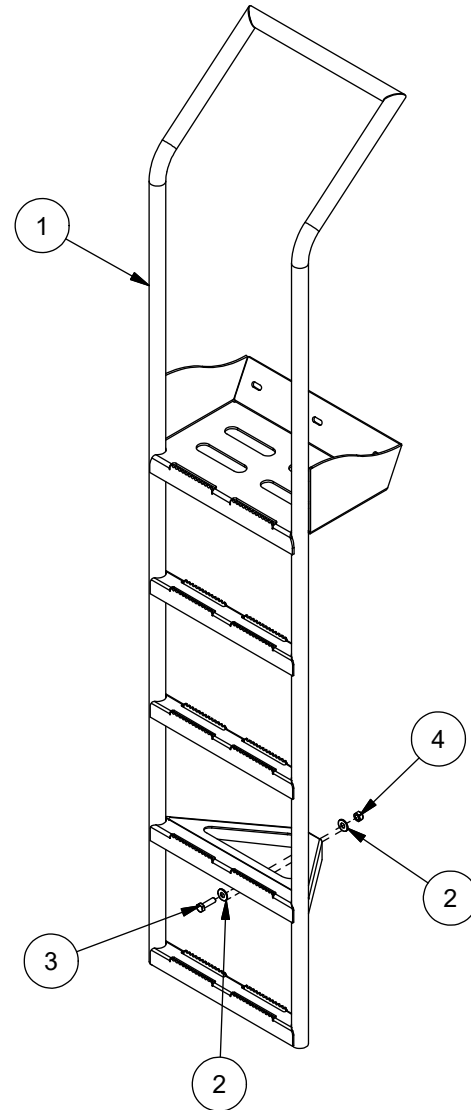
# 10 - REAR COVER / BOUCHON



**ANDERSON**

ITEM	QT	PART/PIECE	ENGLISH DESCRIPTION	DESCRIPTION FRANCAISE	NOTE
2	1	095-TRP-AG	HATCH	TRAPPE	
1	8	090-TRP-208	WASHER	RONDELLE	
3	8	506039	NYLON NUT M10 X 1.5	ECROU NYLON M10 X 1.5	
4	4	507150	BOTTOM SOCKET HEAD M10-1.5 X 50 FT CL12.9	VIS A TETE RONDE 6 PANS M10-1.5 X 50 FT CL12.9	

# 11 - LADDER / ÉCHELLE



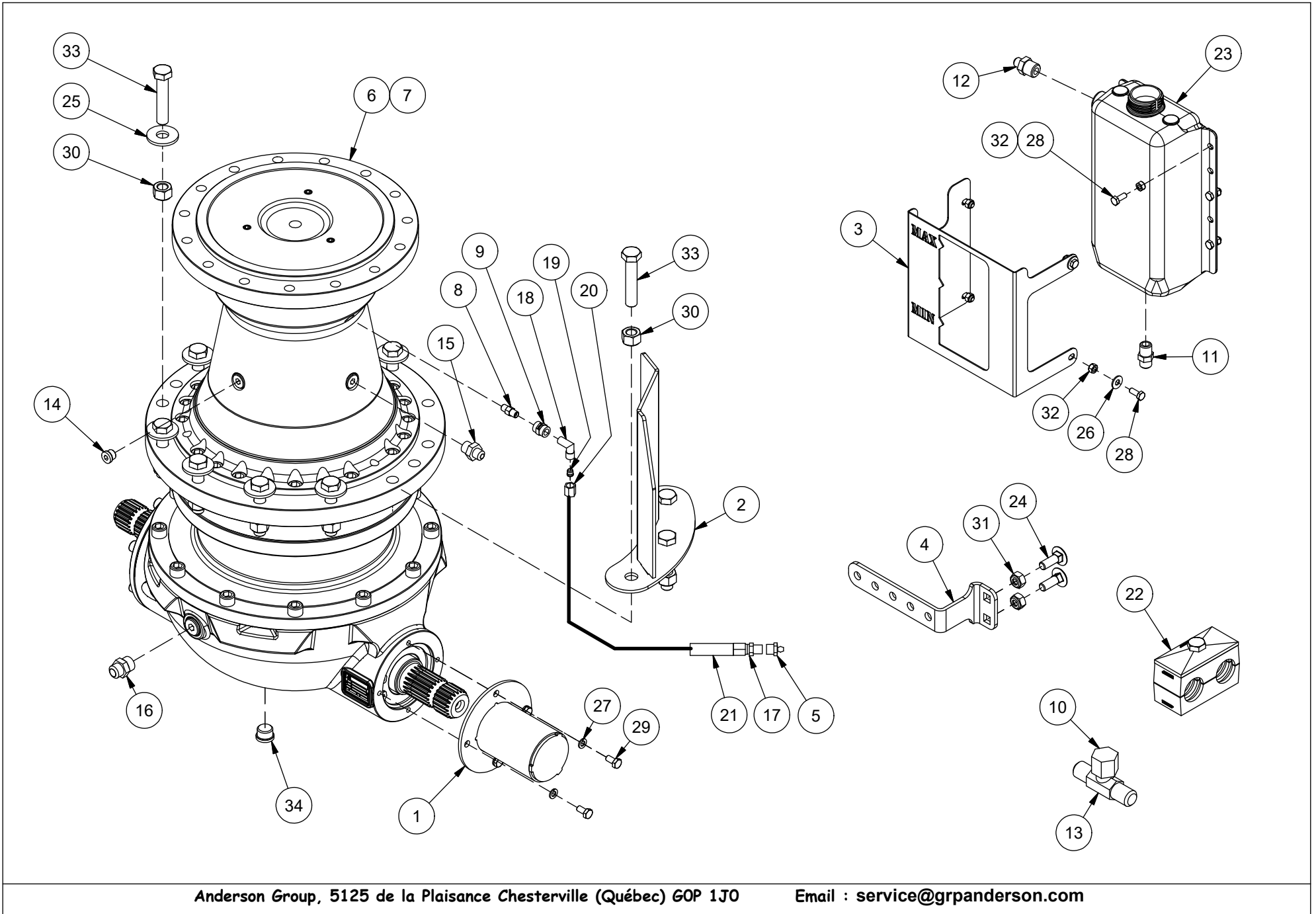
# 11 - LADDER / ÉCHELLE



**ANDERSON**

ITEM	QT	PART/PIECE	ENGLISH DESCRIPTION	DESCRIPTION FRANCAISE	NOTE
1	1	090-ECH-AB	LADDER	ÉCHELLE	
2	2	502004	FLAT WASHER 3/8 Z	RONDELLE PLATE 3/8 Z	
3	1	506009-3	HEX. BOLT M10 X 1.5 X 35mm CL8.8	BOULON HEX. M10 X 1.5 X 35mm CL8.8	
4	1	506039	NYLON NUT M10 X 1.5	ECROU NYLON M10 X 1.5	

# 12A - REAR TRANSMISSION / TRANSMISSION ARRIÈRE

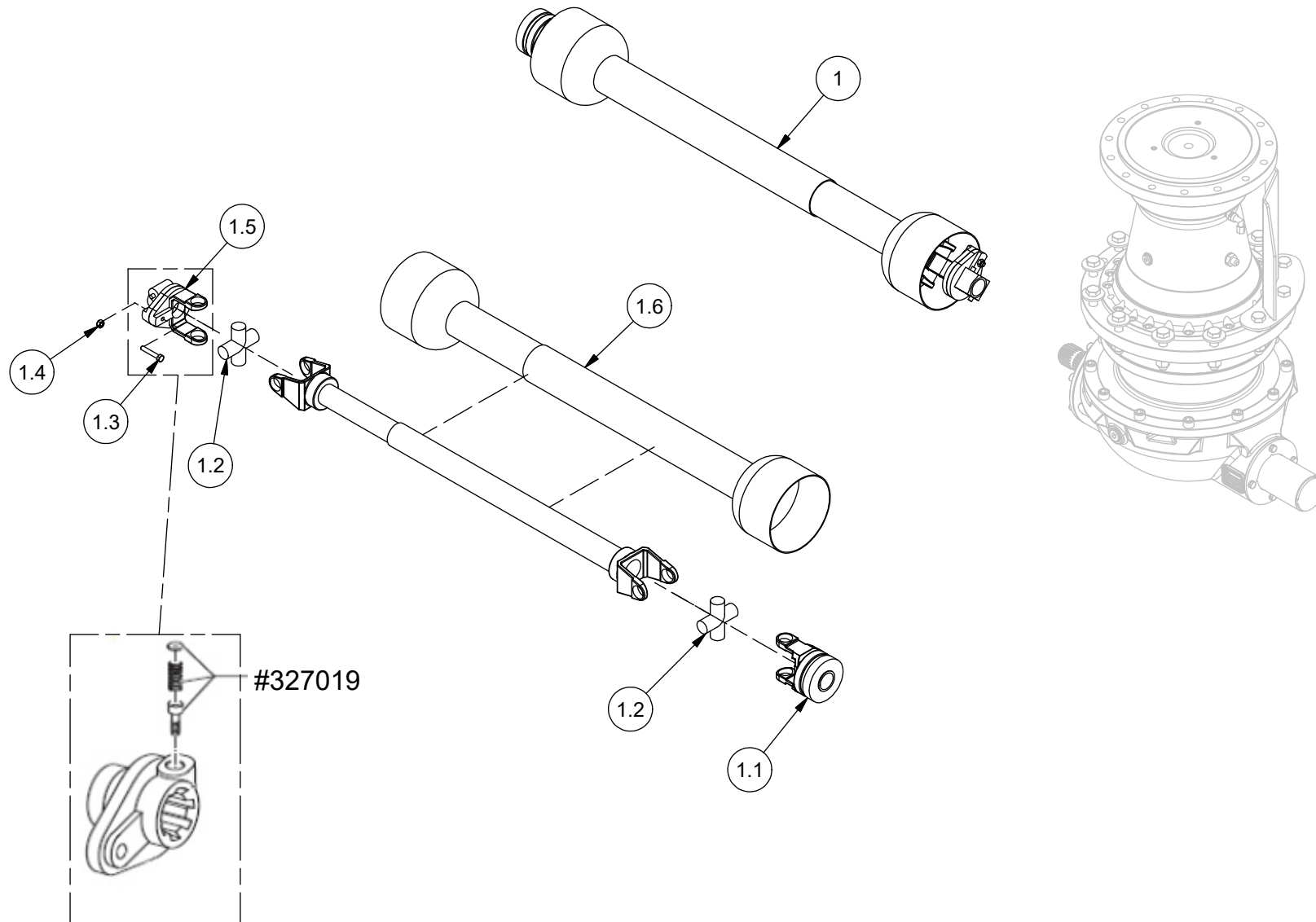


# 12A - REAR TRANSMISSION / TRANSMISSION ARRIÈRE



ITEM	QT	PART/PIECE	ENGLISH DESCRIPTION	DESCRIPTION FRANCAISE	NOTE
1	1	090-GRD-AQ	TRANSMISSION GUARD	GARDE DE TRANSMISSION	
2	1	090-TRA-BU	TRANSMISSION HOSE GUARD	PROTECTEUR DE TUYAUX TRANSMISSION	
3	1	092-TRA-001	OIL INDICATOR	INDICATEUR DE NIVEAU D'HUILE	
4	1	093-FRM-012	SHEAR BOLT SUPPORT	SUPPORT À BOULON DE CISAILLEMENT	
5	1	322295	GREASE FITTING	GRAISSEUR	
6	1	325286	GEARBOX PGA2002VM-13.4:1	BOITE ENGRENAGE PGA2002VM-13.4:1	SEAL #467715
7	1	404500	SYNTHETIC OIL CASTROL ISO 220	HUILE CASTROL ISO 220 SYNTHÉTIQUE	SEE OWNER MANUAL FOR QUANTITY / VOIR MANUEL OPÉRATEUR POUR QUANTITÉ
8	1	450000	2 MNPT - 2 MNPT	2 MNPT - 2 MNPT	
9	1	450100	2 FNPT - 2 FNPT	2 FNPT - 2 FNPT	
10	1	450504	HYDRAULIC CAP 5129-06	BOUCHON HYDRAULIQUE 5129-06	
11	1	450548	8 M JIC - 8 M NPT	8 M JIC - 8 M NPT	
12	1	450549	8 M.JIC - 12 M.NPT	8 M.JIC - 12 M.NPT	
13	1	450862	HYDRAULIC FITTING	ADAPTEUR HYDRAULIQUE	
14	1	451354	PLUG 6 M. ORB	PLUG 6 M. ORB	
15	1	451359	82505-6-6 ADAP. MALE JIC/MALE BSPP	82505-6-6 ADAP. MALE JIC/MALE BSPP	
16	1	451373	82505-6-6 ADAP. MALE JIC/MALE BSPP	82505-6-6 ADAP. MALE JIC/MALE BSPP	
17	1	451445	GREASE FITTING	ADAPTEUR DE GRAISSAGE	
18	1	452617	TN94-06LNPT ELBOW 90-TUBE/MALE NPTF	TN94-06LNPT COUDE 90-TUBE/MALE NPTF	
19	1	452618	TN88-6LS SLEEVE FOR FLARELESS TUBE END	TN88-6LS BAGUE SANS EVASEMENT	
20	1	452619	TN81-6L TUBE NUT	TN81-6L ECROU DE SERRAGE	
21	1	250339	LUBRIFICATION HOSE (13' LONG)	BOYAU DE GRAISSAGE (13, LONG)	
22	5	470051	DOUBLE HOSE HOLDER 21.3mm (0.84")	SUPPORT BOYAU DOUBLE 21.3mm (0.84")	
23	1	470073	TANK 5 QUART	RESERVOIR 5 QUART	
24	2	500705	CARRIAGE BOLT M10 X 1.50 X 30 CL4.6	BOULON CARROSSERIE M10 X 1.50 X 30 CL4.6	
25	9	502008	FLAT WASHER 5/8 Z	RONDELLE PLATE 5/8 Z	
26	4	502014	FLAT WASHER 5/16 Z	RONDELLE PLATE 5/16 Z	
27	4	502046	LOCK WASHER 5/16 Z	RONDELLE DE BLOCAGE 5/16 Z	
28	10	506000	HEX. BOLT M8 X 1.25 X 20mm CL8.8	BOULON HEX. M8 X 1.25 X 20mm CL8.8	
29	4	506004-1	HEX. BOLT M8 X 1.25 X 16mm CL8.8	BOULON HEX. M8 X 1.25 X 16mm CL8.8	
30	12	506037	NYLON NUT M16 X 2	ECROU NYLON M16 X 2	
31	7	506039	NYLON NUT M10 X 1.5	ECROU NYLON M10 X 1.5	
32	10	506051	NYLON NUT M8 X 1.25	ECROU NYLON M8 X 1.25	
33	12	506180	HEX. BOLT M16 X 2 X 80mm CL10.9	BOULON HEX. M16 X 2 X 80mm CL10.9	
34	1	470145	PLUG 1/2 GAZ MAGNETIC W/COPPER WASHER	BOUCHON 1/2 GAZ MAGNET + RONDELLE CUIVRE	RONDELLE CUIVRE / COPPER WASHER #470147

# 12B - REAR TRANSMISSION PTO / TRANSMISSION ARRIÈRE (PTO)



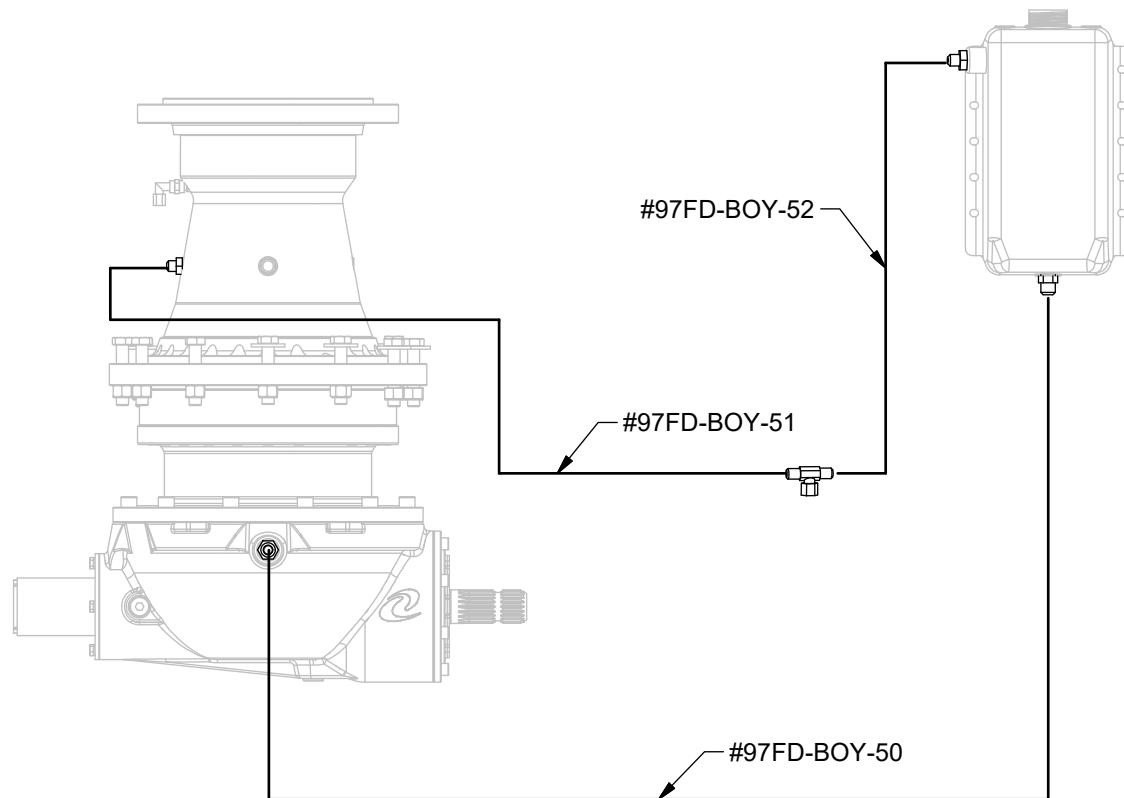
# 12B - REAR TRANSMISSION PTO / TRANSMISSION ARRIÈRE (PTO)



**ANDERSON**

ITEM	QT	PART/PIECE	ENGLISH DESCRIPTION	DESCRIPTION FRANCAISE	NOTE
1	1	900801	T80-101P028428-280029-GR./F	T80-101P028428-280029-GR./F	
1.1	1	327060	YOKE SC 1 3/4 Z20	MACHOIRE SC 1 3/4 Z20	
1.2	2	325323	CROSS	CROISILLON	
1.3	1	506065	HEX. BOLT M10 X 1.5 X 60 mm CL8.8	BOULON HEX. M10 X 1.5 X 60 mm CL8.8	SHEAR BOLT / BOULON DE CISAILLEMENT
1.4	1	506039	NYLON NUT M10 X 1.5	ECROU NYLON M10 X 1.5	
1.5	1	327063	YOKE SB 1 3/4 Z20	MACHOIRE SB 1 3/4 Z20	
1.6	1	327077	PTO GUARD T80-101P02842-280075	GARDE PTO T80-101P02842-280075	

# 12C - TRANSMISSION DIAGRAM / DIAGRAMME DE TRANSMISSION



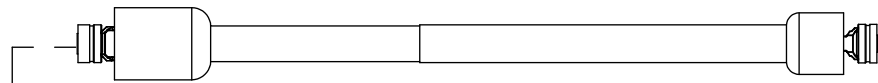




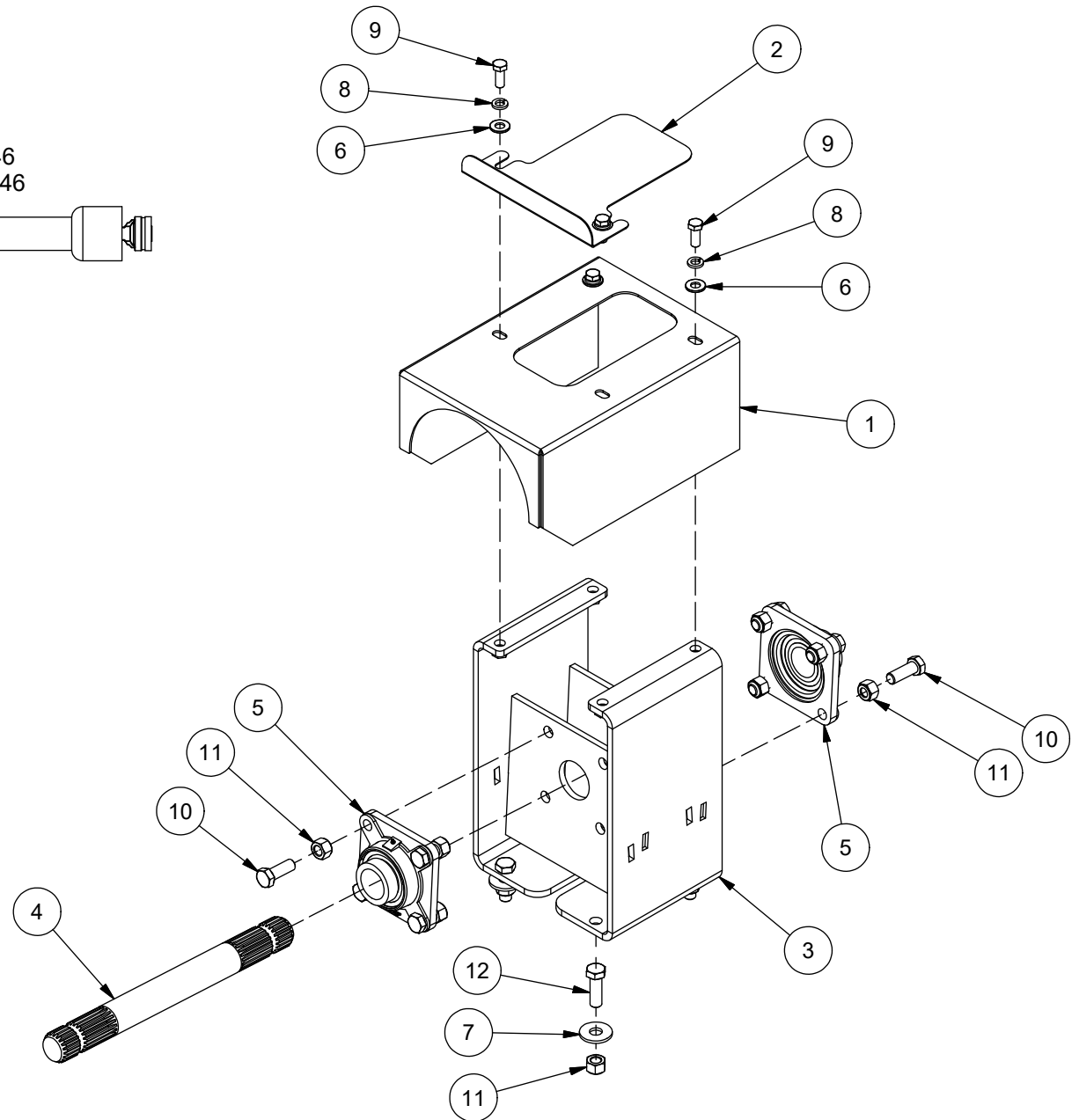
# 13A-FRONT TRANSMISSION /TRANSMISSION AVANT / 1HD134Z6



SEE PAGE 13K PTO 325246  
VOIR PAGE 13K PTO 325246



1 3/8 Z6 (540 RPM)

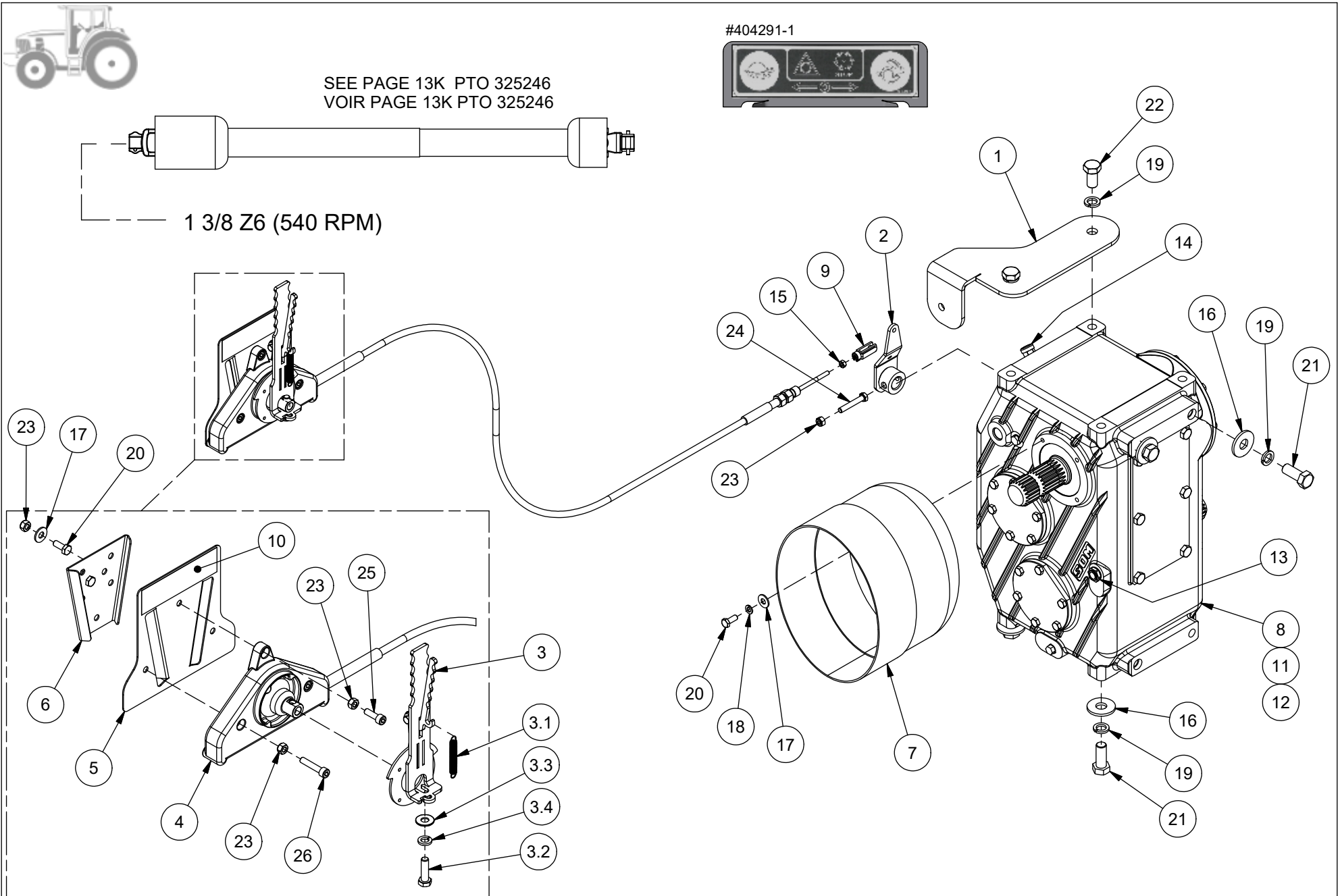


# 13A-FRONT TRANSMISSION /TRANSMISSION AVANT / 1HD134Z6



ITEM	QT	PART/PIECE	ENGLISH DESCRIPTION	DESCRIPTION FRANCAISE	NOTE
1	1	093-GRD-004	COVER PLATE	COUVERT	
2	1	093-TRA-004	LID	COUVERCLE	
3	1	097-FRM-AE	DIRECT DRIVE FRAME	CHÂSSIS DE L'ENTRAÎNEMENT DIRECT	
4	1	250010	GROOVE SHAFT 20 - 10/24 - 30°	ARBRES À CANNELURES 20 - 10/24 - 30°	
5	2	303161	FLANGE MOUNTED BALL BEARING - SHAFT 1 3/4	ROULEMENT A PALIER - SHAFT 1 3/4	
6	4	502006	FLAT WASHER 1/2 Z-SAE	RONDELLE PLATE 1/2 Z-SAE	
7	4	502008	FLAT WASHER 5/8 Z	RONDELLE PLATE 5/8 Z	
8	4	502048	LOCK WASHER 1/2	RONDELLE DE BLOCAGE 1/2	
9	4	506008-2	HEX. BOLT M12 X 1.75 X 30mm CL8.8	BOULON HEX. M12 X 1.75 X 30mm CL8.8	
10	8	506020	HEX. BOLT M16 X 2 X 45mm CL8.8	BOULON HEX. M16 X 2 X 45mm CL8.8	
11	12	506037	NYLON NUT M16 X 2	ECROU NYLON M16 X 2	
12	4	506076	HEX. BOLT M16 X 2 X 50mm CL8.8	BOULON HEX. M16 X 2 X 50mm CL8.8	

# 13B - FRONT TRANSMISSION / TRANSMISSION AVANT / 540Z6WG1151P134



# 13B - FRONT TRANSMISSION / TRANSMISSION AVANT / 540Z6WG1151P134

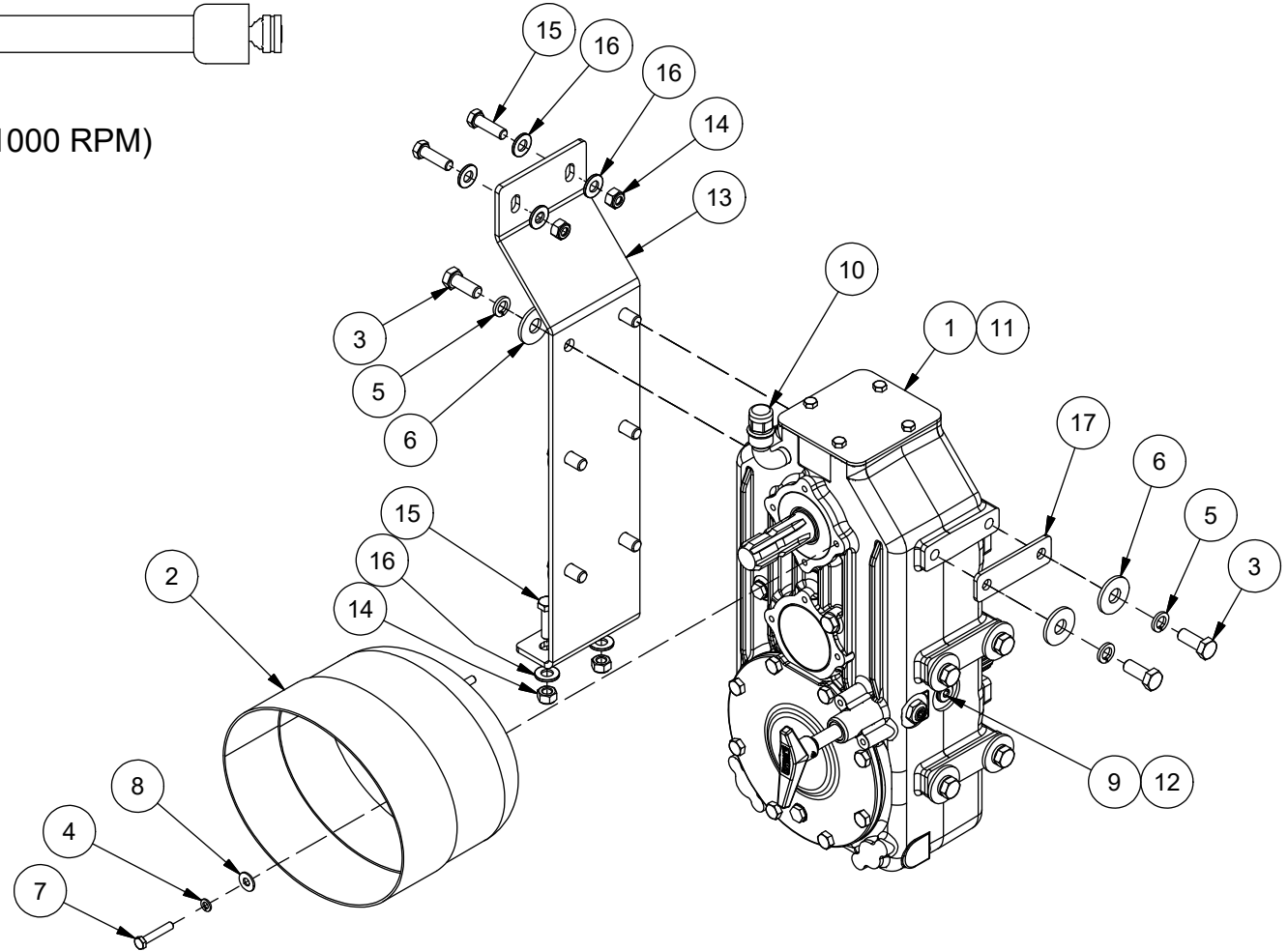
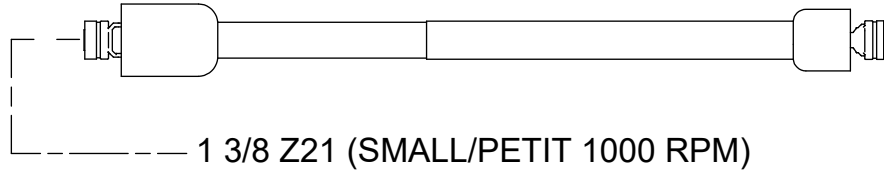


ITEM	QT	PART/PIECE	ENGLISH DESCRIPTION	DESCRIPTION FRANCAISE	NOTE
1	1	090-FRM-345	GUIDE	GUIDE	
2	1	090-FRM-BI	TRANSMISSION HANDLE	POIGNÉE DE TRANSMISSION	
3	1	090-TRA-BN	HANDLE	POIGNÉE	
3.1	1	304083	SPRING	RESSORT	
3.3	1	502004	FLAT WASHER 3/8 Z	RONDELLE PLATE 3/8 Z	
3.4	1	502047	LOCK WASHER 7/16	RONDELLE DE BLOCAGE 7/16	
3.2	1	506009-3	HEX. BOLT M10 X 1.5 X 35mm CL8.8	BOULON HEX. M10 X 1.5 X 35mm CL8.8	
4	1	250032	CAB.TELEF.3.5M+POIGN.RENF	CAB.TELEF.3.5M+POIGN.RENF	
5	1	250061	HANDLE SUPPORT	SUPPORT DE POIGNÉE	
6	2	250062	HANDLE SUPPORT	SUPPORT DE POIGNÉE	
7	1	325088	PROTECTION CONE	CÔNE DE PROTECTION PTO	
8	1	325275	GEARBOX C3A-R 1:1,1.5:1 ESHIFT	BOITE ENGRENAGE C3A-R 1:1,1.5:1 ESHIFT	
9	1	325309	CLEVIS ROD END M6-1.0 X 36mm	EMBOUT EN "U" (CLEVIS) M6 x 36MM	
10	1	404291-1	DECALQUE SELECT, VITESSE BOITIER INV	DECALQUE SELECT, VITESSE BOITIER INV	
11	1	404500	CASTROL OIL ISO 220 SYNTHETIC	HUILE CASTROL ISO 220 SYNTHÉTIQUE	SEE OWNER MANUEL FOR QUANTITY / VOIR MANUEL OPÉRATEUR POUR QUANTITÉ
12	0	467775	SEAL KIT C3A-R	JEU DE JOINT C3A-R	
13	0	470070	LEVEL PLUG	BOUCHON DE NIVEAU	
14	0	471010	BREATHER	RENIFLARD	
15	1	501116	HEX NUT M6 X 1 CL8 Z	ÉCROU HEX M6 X 1 CL8 Z	
16	6	502008	FLAT WASHER 5/8 Z	RONDELLE PLATE 5/8 Z	
17	8	502014	FLAT WASHER 5/16 Z	RONDELLE PLATE 5/16 Z	
18	4	502046	LOCK WASHER 5/16 Z	RONDELLE DE BLOCAGE 5/16 Z	
19	8	502049	LOCK WASHER 5/8	RONDELLE DE BLOCAGE 5/8	
20	8	506000	HEX. BOLT M8 X 1.25 X 20mm CL8.8	BOULON HEX. M8 X 1.25 X 20mm CL8.8	
21	6	506012	HEX. BOLT M16 X 2 X 40mm CL8.8	BOULON HEX. M16 X 2 X 40mm CL8.8	
22	2	506012-1	HBZ M16 - 2.00 X 30MM CL 8.8	HBZ M16 - 2.00 X 30MM CL 8.8	
23	8	506051	NYLON NUT M8 X 1.25	ECROU NYLON M8 X 1.25	
24	1	506087	HEX. BOLT M8 X 1.25 X 50mm CL8.8	BOULON HEX. M8 X 1.25 X 50mm CL8.8	
25	1	506140	SOCKET HEAD CAP SCREW M8-1.25 X 25MMCL8.8	VIS A TETE CYL. M8-1.25 X 25MMCL8.8	
26	2	506147	HEX SOCKET HEAD CAP SCREW M8 X 1.25 X 15 CL12.9	VIS TETE CYLINDRIQUE M8 X 1.25 X 15 CL12.9	

# 13C - FRONT TRANSMISSION / TRANSMISSION AVANT / GBD7321000VP7Z21



SEE PAGE 13G - PTO 325373  
VOIR PAGE 13G - PTO 325373



# 13C - FRONT TRANSMISSION / TRANSMISSION AVANT / GBD7321000VP7Z21



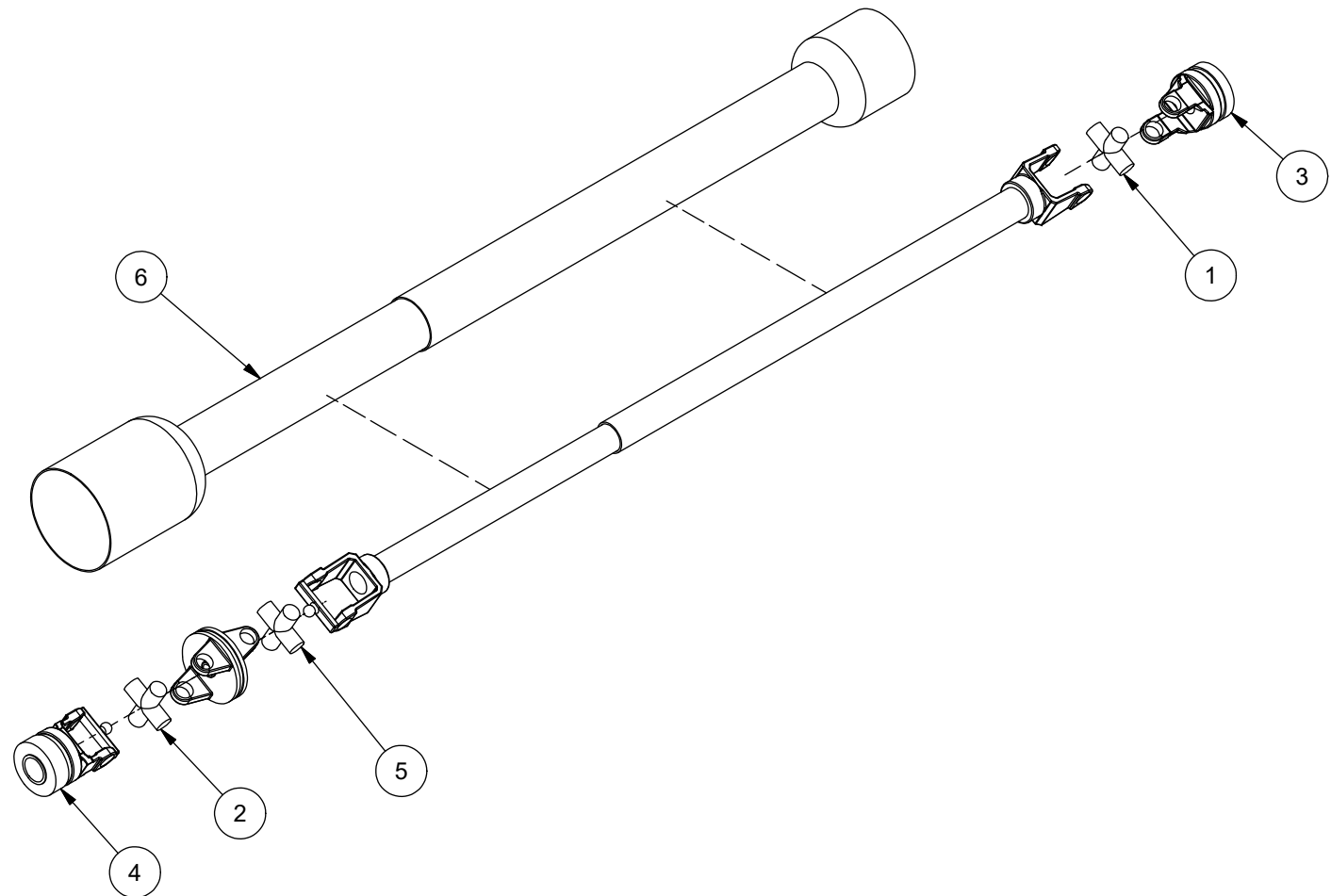
**ANDERSON**

ITEM	QT	PART/PIECE	ENGLISH DESCRIPTION	DESCRIPTION FRANCAISE	NOTE
1	1	325364	GEARBOX D732 1.87:1 MSHIFT	BOITE ENGRENAGE D732 1.87:1 MSHIFT	
2	1	325088	PROTECTION CONE	CÔNE DE PROTECTION PTO	
3	12	506164	HBZ M14 - 2.00 X 35MM CL 8.8	HBZ M14 - 2.00 X 35MM CL 8.8	
4	4	502046	LOCK WASHER 5/16 Z	RONDELLE DE BLOCAGE 5/16 Z	
5	12	502052	LOCK WASHER 9/16	RONDELLE DE BLOCAGE 9/16	
6	12	502008	FLAT WASHER 5/8 Z	RONDELLE PLATE 5/8 Z	
7	4	506145	HEX. BOLT M8 X 1.25 X 45mm CL8.8	BOULON HEX. M8 X 1.25 X 45mm CL8.8	
8	4	502014	FLAT WASHER 5/16 Z	RONDELLE PLATE 5/16 Z	
9	1	470069	LEVEL PLUG	BOUCHON DE NIVEAU	
10	1	471010	BREATHER	RENIFLARD	
11	1	467774	SEAL KIT D732	JEU DE JOINT D732	
12	1	404500	CASTROL OIL ISO 220 SYNTHETIC	HUILE CASTROL ISO 220 SYNTHÉTIQUE	SEE OWNER MANUEL FOR QUANTITY / VOIR MANUEL OPÉRATEUR POUR QUANTITÉ
13	1	093-TRA-003	GEAR BOX SUPPORT	SUPPORT DE BOITE DE VITESSE	
14	4	506040	NYLON NUT M12 X 1.75	ECROU NYLON M12 X 1.75	
15	4	506129	HEX. BOLT M12 X 1.75 X 40mm CL8.8	BOULON HEX. M12 X 1.75 X 40mm CL8.8	
16	6	502006	FLAT WASHER 1/2 Z-SAE	RONDELLE PLATE 1/2 Z-SAE	
17	3	093-TRA-002	SPACER	ESPACEUR	

# 13G - 325373- PTO TRACTOR 1 3/8 Z21 / PTO TRACTEUR 1 3/8 Z21



ITEM	QT	PART/PIECE	ENGLISH DESCRIPTION	DESCRIPTION FRANCAISE	NOTE
1	1	327065	CROSS	CROISILLON	
2	1	327072	CROSS	CROISILLON	
3	1	327070	YOKE SC 1 3/8 Z6	MACHOIRE SC 1 3/8 Z6	
4	1	327069	YOKE SC 1 3/8 Z21	MACHOIRE SC 1 3/8 Z21	
5	1	327073	CROSS	CROISILLON	
6	1	325280	PTO GUARD VP7-121P227025-227011	GARDE PTO VP7-121P227025-227011	

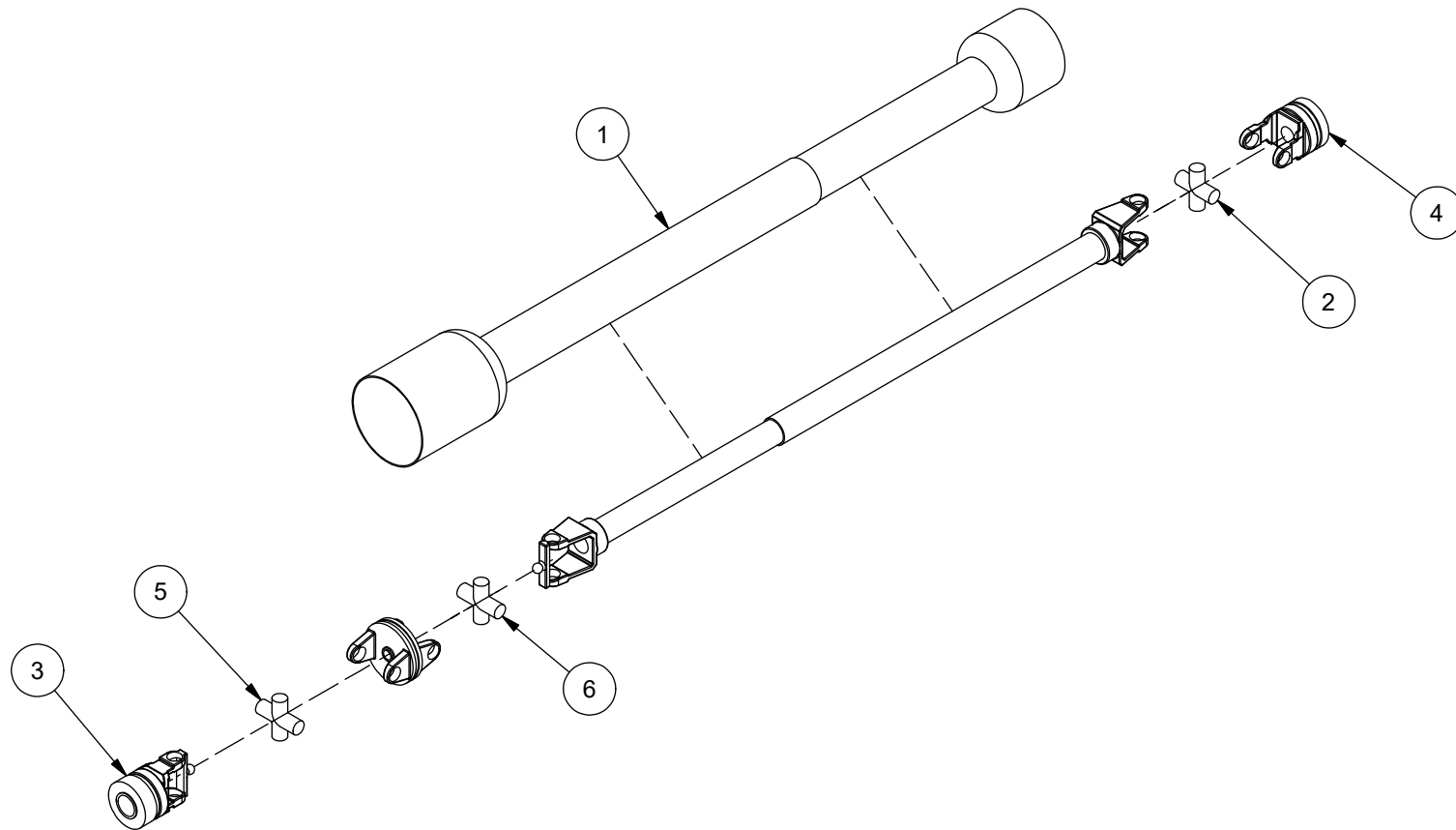




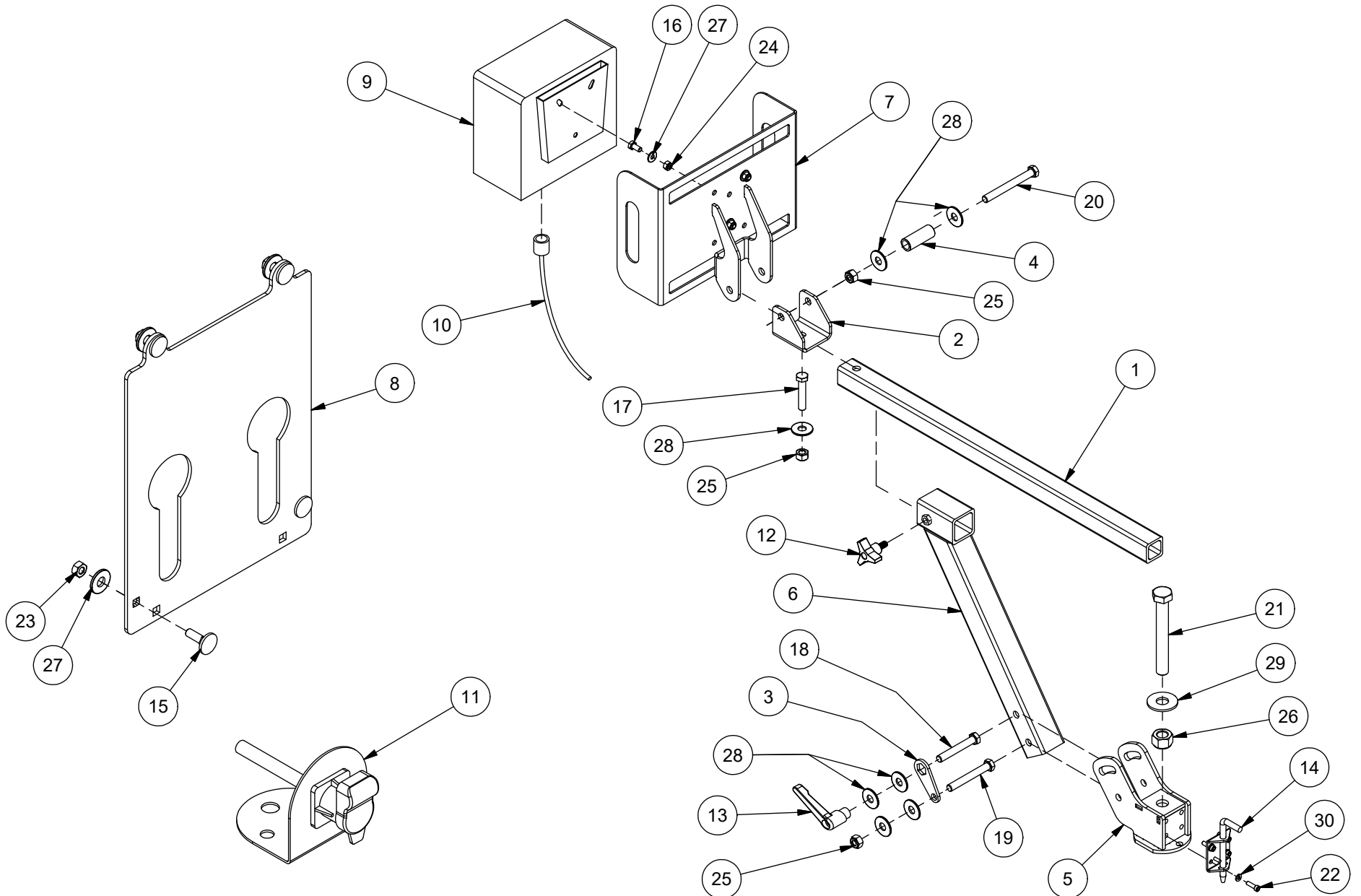
# 13K - 325246 - PTO TRACTOR 1 3/8 Z6 / PTO TRACTEUR 1 3/8 Z6



ITEM	QT	PART/PIECE	ENGLISH DESCRIPTION	DESCRIPTION FRANCAISE	NOTE
1	1	325281	PTO GUARD VP7-111P227025-227115	GARDE PTO VP7-111P227025-227115	
2	1	327065	CROSS	CROISILLON	
3	1	327069	YOKE SC 1 3/8 Z21	MACHOIRE SC 1 3/8 Z21	
4	1	327071	YOKE SC 3/4 Z20	MACHOIRE SC 1 3/4 Z20	
5	1	327072	CROSS	CROISILLON	
6	1	327073	CROSS	CROISILLON	



# 14A - SCALE CONTROL DG500 / CONTROLE DE PESÉ DG500



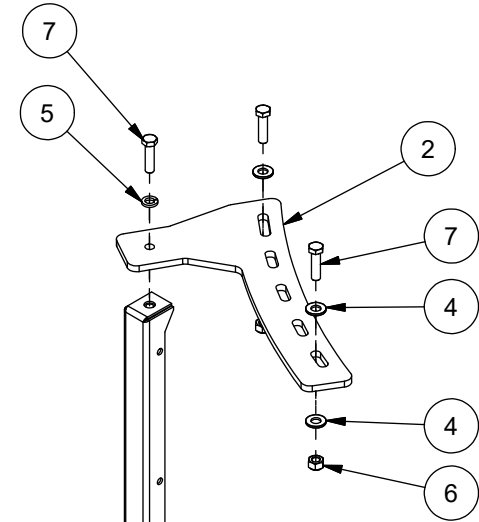
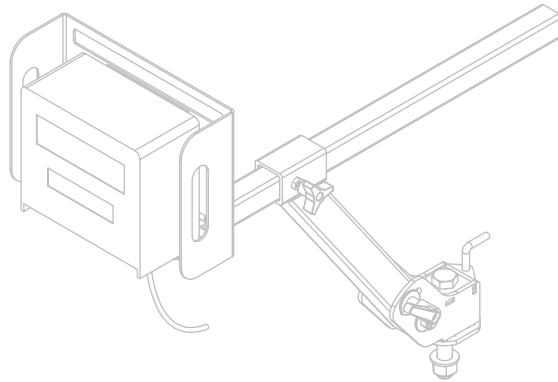
# 14A - SCALE CONTROL DG500 / CONTROLE DE PESÉ DG500



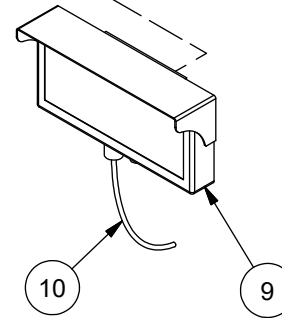
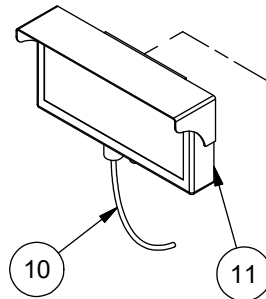
ITEM	QT	PART/PIECE	ENGLISH DESCRIPTION	DESCRIPTION FRANCAISE	NOTE
1	1	090-FRM-059	ADJUSTMENT TUBE	TUBE D'AJUSTEMENT	
2	1	090-FRM-060	COMPUTER SWIVEL SUPPORT	PIVOT SUPPORT ORDINATEUR	
3	1	090-FRM-357	COMPUTER LOCK BRACKET	BARRURE SUPPORT ORDINATEUR	
4	1	090-FRM-358	SPACER	ESPACEUR	
5	1	090-FRM-AH	SWIVEL BASE	BASE PIVOTANTE	
6	1	090-FRM-AI	EXTENSION ARM	BRAS D'EXTENSION	
7	1	090-FRM-AJ	CASE	BOITIER	
8	1	090-HYD-003	HOSE GUIDING PLATE	PLAQUE DE GUIDAGE POUR BOYAU	
9	1	239160	WEIGHT CONTROL DG500	CONTROLE PESEE DG500	
10	1	900704	POWER CABLE 10M 3 PIN COBO PLUG	CABLE D'ALIMENTATION 10M 3 PIN COBO	
11	1	240142	POWER SUPPLY 25 amp	PRISE DE COURANT 25 amp	
12	1	325133	KNOB WITH THREADED STUD	POIGNÉE AVEC TIGE FILETÉ	
13	1	325267	SECURITY AJUSTABLE KNOB - M12	POIGNÉ RÉGLABLE DE SÉCURITÉ- M12	
14	1	304082	SPRING LATCH BOLT	VERROU A RESSORT 3/8	
15	4	500706	CBZ M6 X 1.0 X 20 CL8.8	CBZ M6 X 1.0 X 20 CL8.8	
16	3	506004-1	HEX. BOLT M8 X 1.25 X 16mm CL8.8	BOULON HEX. M8 X 1.25 X 16mm CL8.8	
17	1	507136	HEX. BOLT M12 X 1.75 X 60mm CL8.8	BOULON HEX. M12 X 1.75 X 60mm CL8.8	
18	1	506121	HEX. BOLT M12 X 1.75 X 80mm CL8.8	BOULON HEX. M12 X 1.75 X 80mm CL8.8	
19	1	506073	HEX. BOLT M12 X 1.75 X 90mm CL8.8	BOULON HEX. M12 X 1.75 X 90mm CL8.8	
20	1	506146	HEX. BOLT M12 X 1.75 X 110mm CL8.8	BOULON HEX. M12 X 1.75 X 110mm CL8.8	
21	1	506107	HEX BOLT M20 X 2,5 - 150 CL8.8 Z	BOULON HEX M20 X 2,5 - 150 CL8.8 Z	
22	4	506110	HEX SOCKET HEAD CAP SCREW M6 X 1.00 X 20 MM	VIS HEX CREUX TÊTE CYLINDRIQUE M6 X 1.00 X 20 MM	
23	4	506050	HEX NUT M6 X 1	ECROU NYLON M6 X 1	
24	3	506051	NYLON NUT M8 X 1.25	ECROU NYLON M8 X 1.25	
25	3	506040	NYLON NUT M12 X 1.75	ECROU NYLON M12 X 1.75	
26	1	506038	NYLON NUT M20 X 2.5	ECROU NYLON M20 X 2.5	
27	7	502002	FLAT WASHER 1/4 Z	RONDELLE PLATE 1/4 Z	
28	7	502006-1	FLAT WASHER 1/2 Z	RONDELLE PLATE 1/2 Z	
29	2	502009	FLAT WASHER 3/4 Z	RONDELLE PLATE 3/4 Z	
30	4	502064	LOCK WASHER 1/4	RONDELLE DE BLOCAGE 1/4	

# 14B - SCALE OPTION / OPTION DE PESÉ

Bluetooth modem Dina Tel 3  
#415173



EXTRA DISPLAY KIT  
#900656



WEIGHT REPEATER /  
RÉPÉTITEUR DE POIDS  
#900688

# 14B - SCALE OPTION / OPTION DE PESÉ

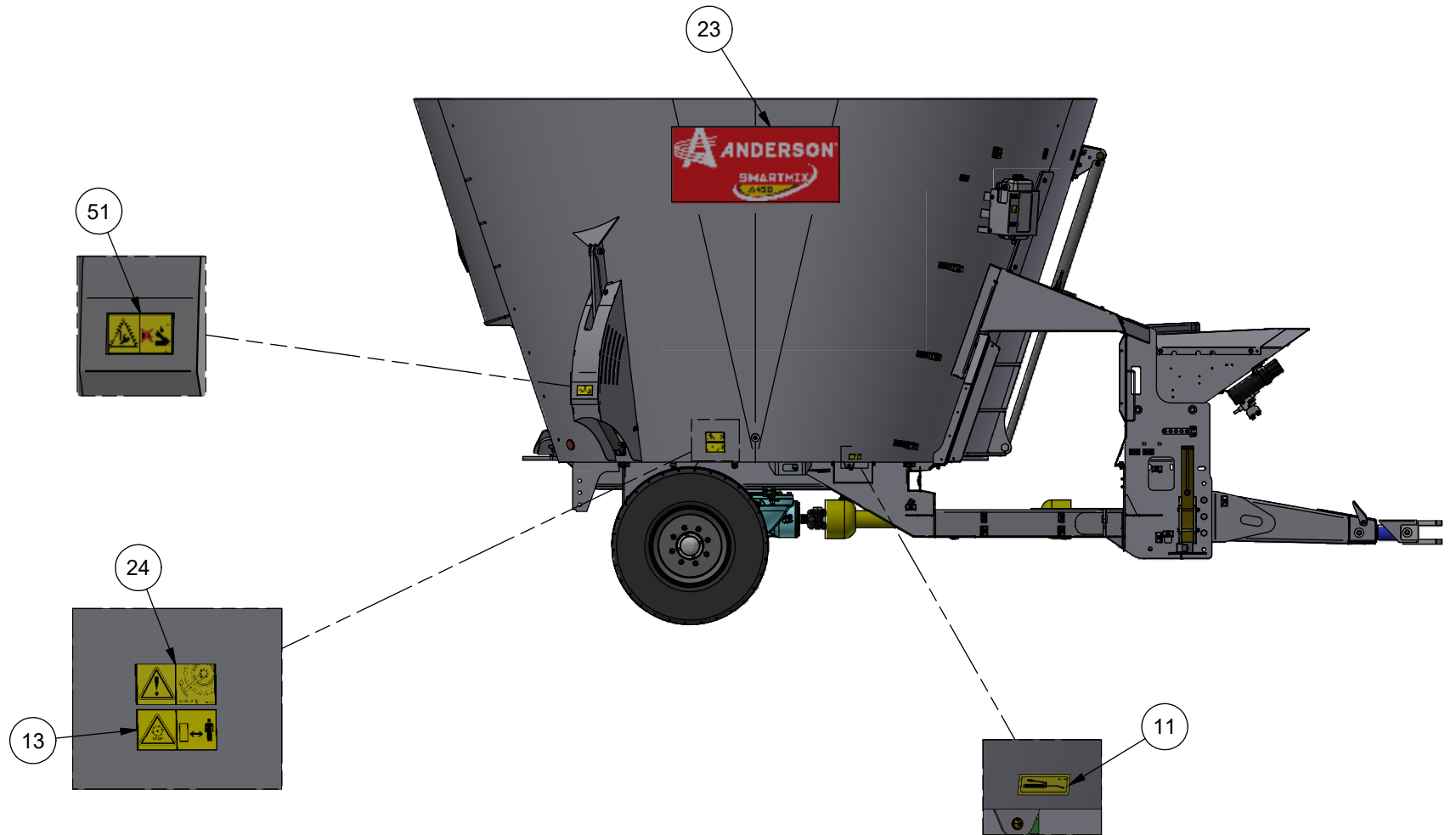


WEIGHT REPEATER / RÉPÉTITEUR DE POIDS					
ITEM	QT	PART/PIECE	ENGLISH DESCRIPTION	DESCRIPTION FRANCAISE	NOTE
1	1	090-FRM-363	CASE	BOÎTIER	
2	1	090-FRM-364	SUPPORT PLATE	PLAQUE DE SUPPORT	
3	1	090-FRM-BN	WEIGHT REPEATER ARM	BRAS DU RÉPÉTITEUR DE POIDS	
4	4	502006	FLAT WASHER 1/2 Z-SAE	RONDELLE PLATE 1/2 Z-SAE	
5	1	502048	LOCK WASHER 1/2	RONDELLE DE BLOCAGE 1/2	
6	3	506040	NYLON NUT M12 X 1.75	ECROU NYLON M12 X 1.75	
7	3	506102	HEX. BOLT M12 X 1.75 X 45mm CL8.8	BOULON HEX. M12 X 1.75 X 45mm CL8.8	
8	1	506121	HEX. BOLT M12 X 1.75 X 80mm CL8.8	BOULON HEX. M12 X 1.75 X 80mm CL8.8	
9	1	900688	WEIGHT REPEATER	REPETITEUR DE POIDS	
10	1	900689	WEIGHT REPEATER POWER CABLE	CABLE D'ALIMENTATION REPETITEUR DE POIDS	

EXTRA DISPLAY KIT					
ITEM	QT	PART/PIECE	ENGLISH DESCRIPTION	DESCRIPTION FRANCAISE	NOTE
1	1	090-FRM-363	CASE	BOÎTIER	
2	1	090-FRM-364	SUPPORT PLATE	PLAQUE DE SUPPORT	
3	1	090-FRM-BN	WEIGHT REPEATER ARM	BRAS DU RÉPÉTITEUR DE POIDS	
4	4	502006	FLAT WASHER 1/2 Z-SAE	RONDELLE PLATE 1/2 Z-SAE	
5	1	502048	LOCK WASHER 1/2	RONDELLE DE BLOCAGE 1/2	
6	3	506040	NYLON NUT M12 X 1.75	ECROU NYLON M12 X 1.75	
7	3	506102	HEX. BOLT M12 X 1.75 X 45mm CL8.8	BOULON HEX. M12 X 1.75 X 45mm CL8.8	
8	1	506121	HEX. BOLT M12 X 1.75 X 80mm CL8.8	BOULON HEX. M12 X 1.75 X 80mm CL8.8	
10	1	900689	WEIGHT REPEATER POWER CABLE	CABLE D'ALIMENTATION REPETITEUR DE POIDS	
11	1	900656	EXTRA DISPLAY	ÉCRAN EXTRA	

# 15A - STICKER LOCATION / EMPLACEMENT DES DÉCALQUES

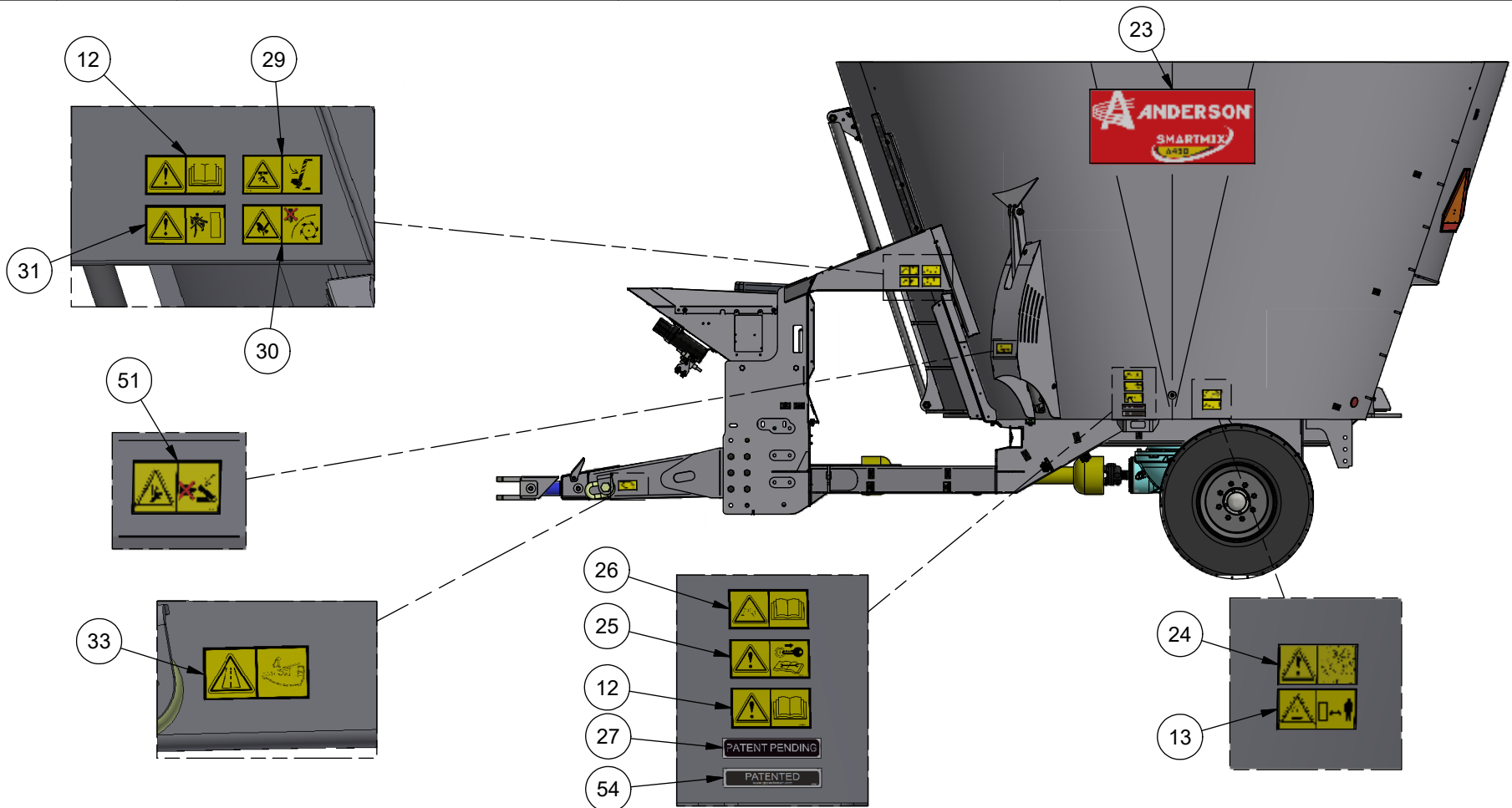
ITEM	QT	PART/PIECE	ENGLISH DESCRIPTION	DESCRIPTION FRANCAISE	NOTE
11	3	404002	LUBRICATION STICKER	DECALQUE GRAISSAGE	
13	4	404298	STICKER ROTATION COMPONENTS	DECALQUE ELEMENTS EN ROTATION	
23	2	404307	STICKER SMARTMIX S450	DECALQUE SMARTMIX S450	
24	2	404042-1	CHECK THE WHEEL NUTS STICKER	DECALQUE VERIF, ECROUS DE ROUE	
51	2	404164	CAUTION RISK OF CRUSHING STICKER	DECALQUE ATTENTION RISQUE ECRASEMENT	



# 15B - STICKER LOCATION / EMPLACEMENT DES DÉCALQUES

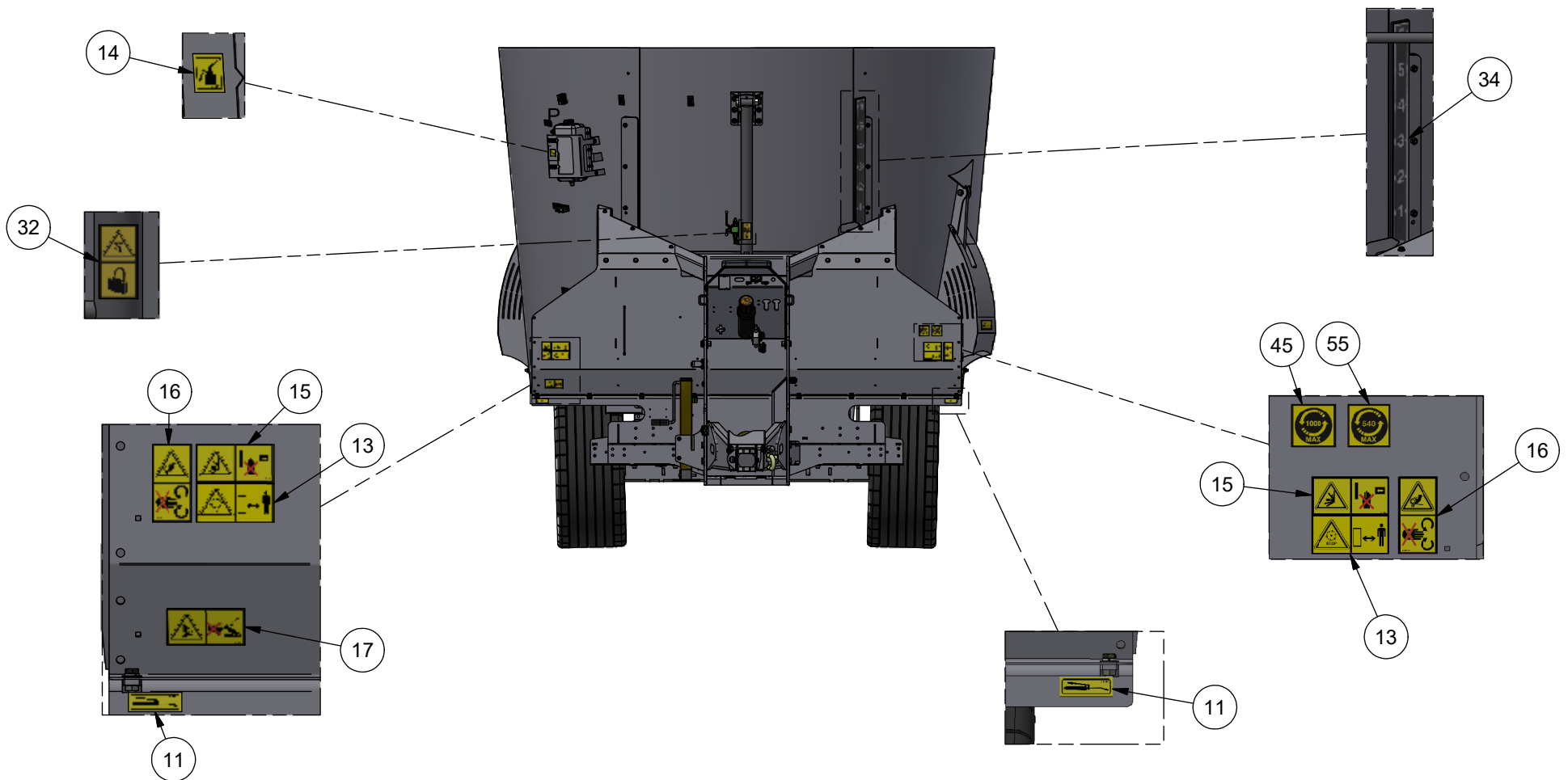


ITEM	QT	PART/PIECE	ENGLISH DESCRIPTION	DESCRIPTION FRANCAISE	NOTE
12	2	404057-1	READ THE MANUAL STICKER	DECALQUE LIRE MANUEL	
13	4	404298	STICKER ROTATION COMPONENTS	DECALQUE ELEMENTS EN ROTATION	
23	2	404307	STICKER SMARTMIX S450	DECALQUE SMARTMIX S450	
24	2	404042-1	CHECK THE WHEEL NUTS STICKER	DECALQUE VERIF, ECROUS DE ROUE	
25	1	404158-1	STICKER STOP ENGINE FOR MAINTENANCE	DECALQUE ARRET MOTEUR ENTRETIEN	
26	1	404297	CAUTION WELDING STICKER	DECALQUE ATTENTION SOUDURE	
27	1	404293	STICKER PATENT PENDING	DECALQUE BREVET EN INSTANCE	
29	1	404163	BE CAREFUL PUT SAFETY KICKSTAND STICKER	DECALQUE ATTENTION METTRE BEQUILLE	
30	1	404296	STICKER DO NOT APPROACH HANDS	DECALQUE NE PAS APPROCHER MAINS	
31	1	404299	STICKER DO NOT ENTER EQUIPMENT	DECALQUE NE PAS ENTRER DANS EQUIPEMENT	
33	1	404058-1	STICKER SECURITY CHAIN	DECALQUE CHAINE DE RETENUE	
51	2	404164	CAUTION RISK OF CRUSHING STICKER	DECALQUE ATTENTION RISQUE ECRASEMENT	
54	1	404395	STICKER PATENTED	DECALQUE BREVETÉ	



# 15C - STICKER LOCATION / EMPLACEMENT DES DÉCALQUES

ITEM	QT	PART/PIECE	ENGLISH DESCRIPTION	DESCRIPTION FRANCAISE	NOTE
11	3	404002	LUBRICATION STICKER	DECALQUE GRAISSAGE	
13	4	404298	STICKER ROTATION COMPONENTS	DECALQUE ELEMENTS EN ROTATION	
14	1	404040	OIL CHANGE STICKER	DECALQUE CHANGEMENT D'HUILE	
15	2	404169	STICKER WARNING PUSHER	DECALQUE DANGER POUSSOIR	
16	2	404051-1	CHAIN ENTRAINMENT	DECALQUE ENTRAINEMENT DE CHAINE	
17	2	404164	CAUTION RISK OF CRUSHING STICKER	DECALQUE ATTENTION RISQUE ECRASEMENT	
32	1	404351	STICKER LOCK CRUSHING	DECALQUE BARRURE ECRASEMENT	
34	1	404289	DOOR OPENING MIXER	DECALQUE OUVERTURE TRAPPE MELANGEUR	
45	1	404278	1000 RPM MAX STICKER	DECALQUE 1000 RPM MAX	
55	1	404190	DECALQUE 540 RPM MAX	DECALQUE 540 RPM MAX	



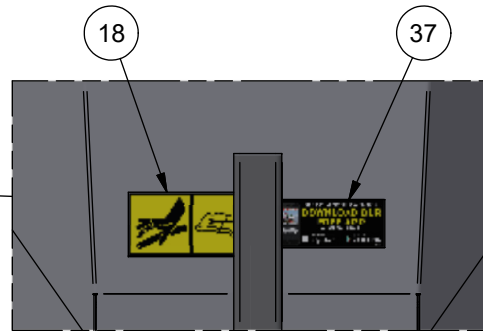
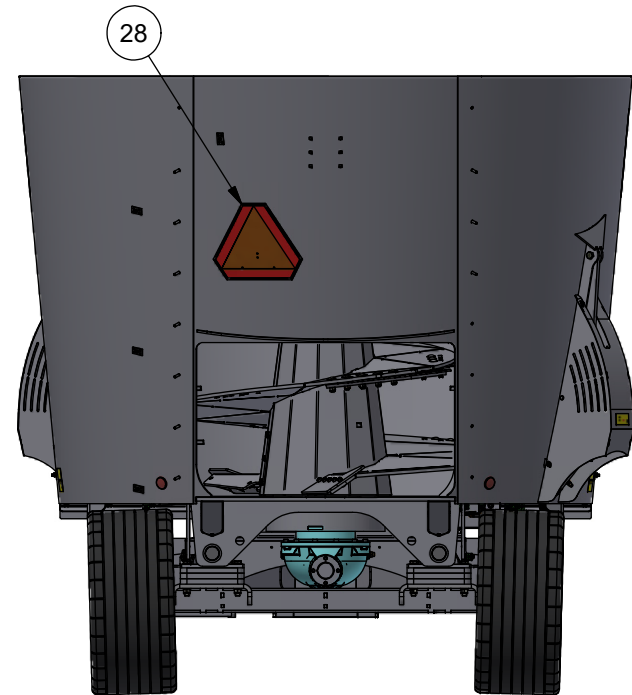
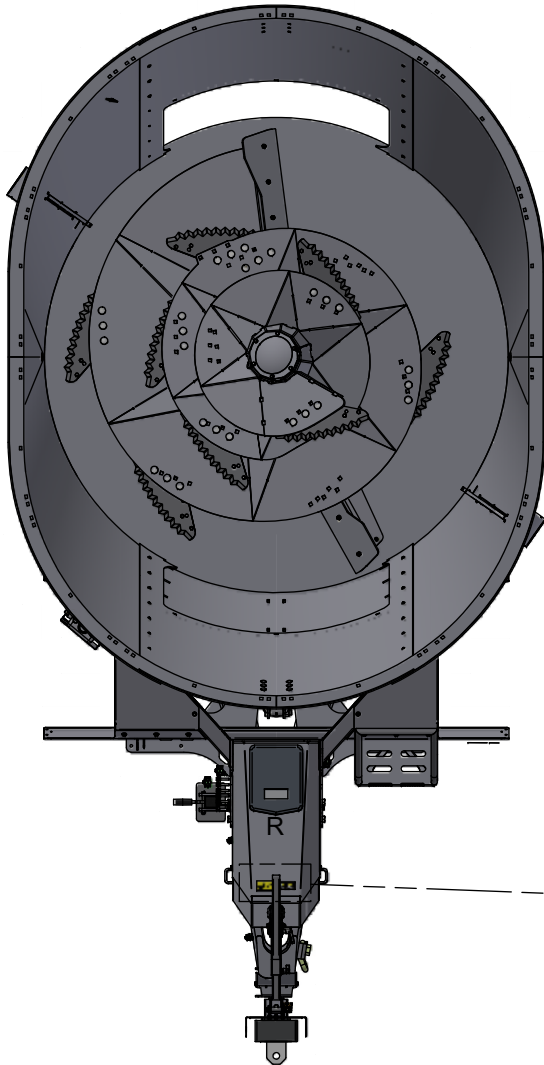


# 15D - STICKER LOCATION / EMPLACEMENT DES DÉCALQUES

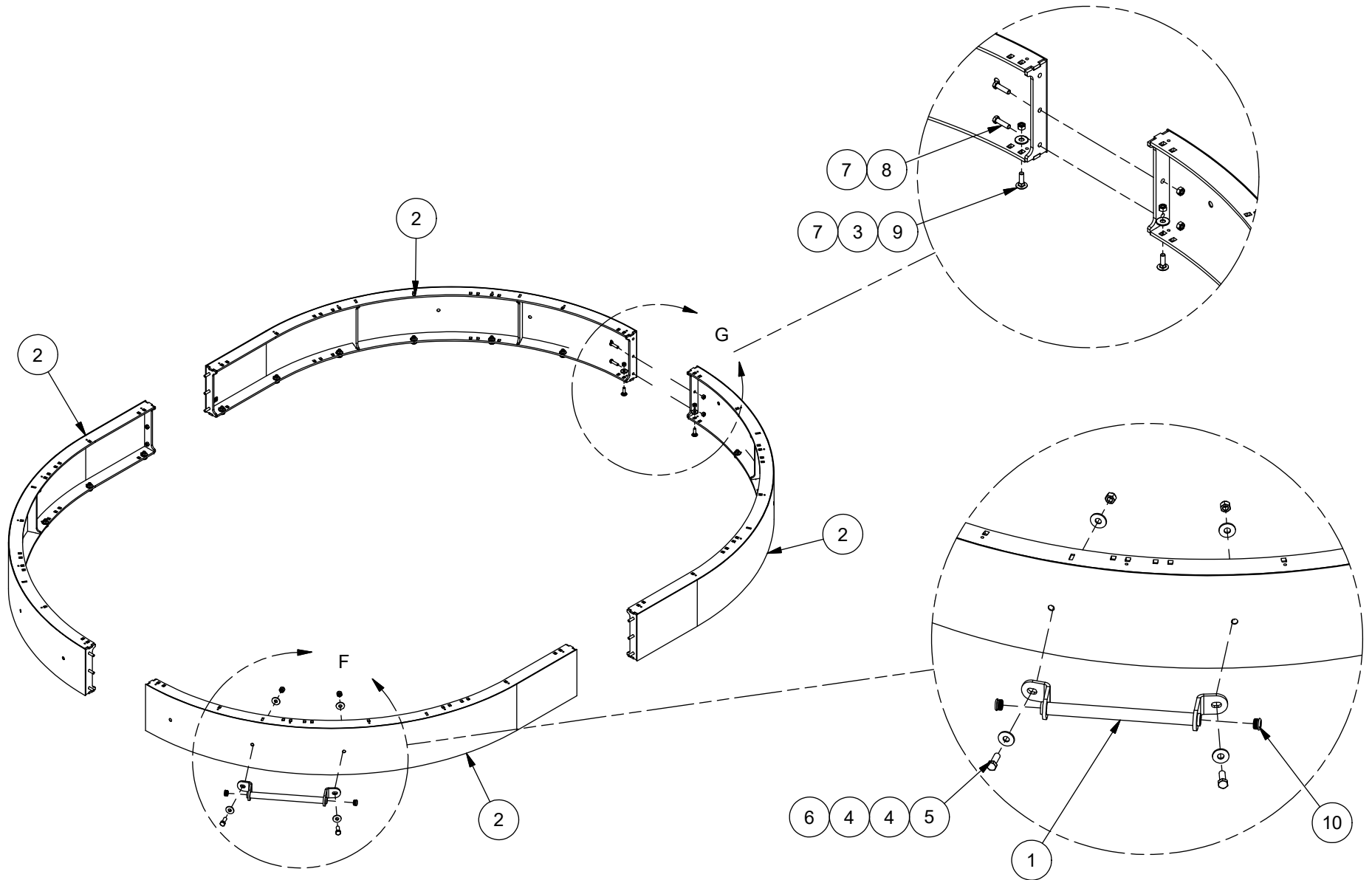


**ANDERSON**

ITEM	QT	PART/PIECE	ENGLISH DESCRIPTION	DESCRIPTION FRANCAISE	NOTE
18	1	404170	REFERENCE TO MANUAL STICKER	DECALQUE REF MANUEL	
28	1	407070	STICKER TRIANGLE	DECALQUE TRIANGLE	
37	1	404370	STICKER ANDERSON APP	DÉCALQUE APPLICATION ANDERSON	



# 16 - CAPACITY EXTENSION 6" 12" 18" / REHAUSSE 6" 12" 18"



# 16 - CAPACITY EXTENSION 6" 12" 18" / REHAUSSE 6" 12" 18'

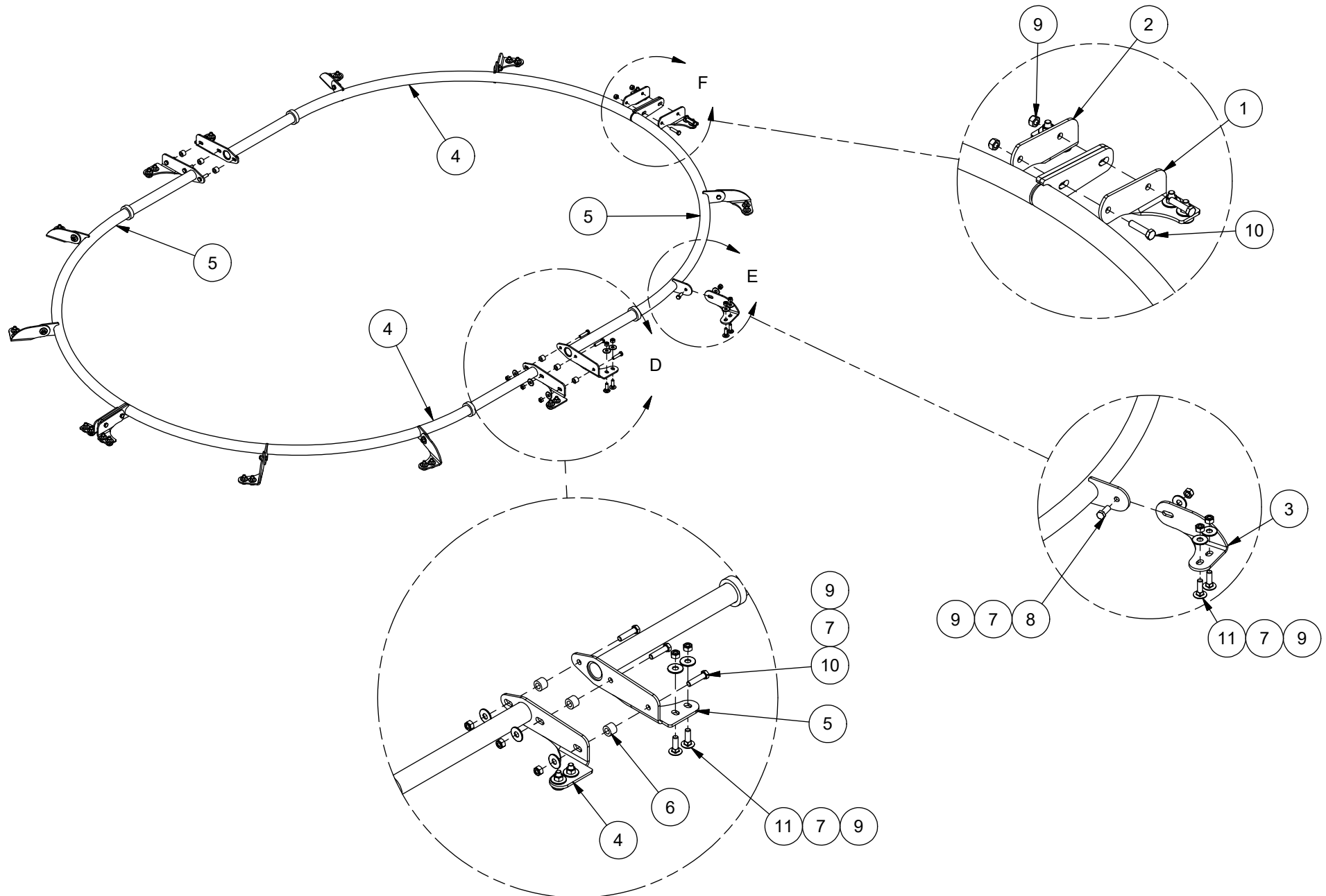


CAPACITY EXTENSION 6"/ REHAUSSE 6"					
ITEM	QT	PART/PIECE	ENGLISH DESCRIPTION	DESCRIPTION FRANCAISE	NOTE
1	1	090-REH-BR	EXTENSION HANDLE	POIGNÉE DE REHAUSSE	
2	4	097-REH-AG	EXTENSION CAPACITY SECTION	SECTION DE REHAUSSE	
3	28	502006-1	FLAT WASHER 1/2 Z	RONDELLE PLATE 1/2 Z	
4	4	502008	FLAT WASHER 5/8 Z	RONDELLE PLATE 5/8 Z	
5	2	506020	HEX. BOLT M16 X 2 X 45mm CL8.8	BOULON HEX. M16 X 2 X 45mm CL8.8	
6	2	506037	NYLON NUT M16 X 2	ECROU NYLON M16 X 2	
7	36	506040	NYLON NUT M12 X 1.75	ECROU NYLON M12 X 1.75	
8	8	506102	HEX. BOLT M12 X 1.75 X 45mm CL8.8	BOULON HEX. M12 X 1.75 X 45mm CL8.8	
9	28	507135	CARRIAGE BOLT M12 X 1.75 X 40 CL8.8	BOULON CAROSSERIE M12 X 1.75 X 40 CL8.8	
10	2	481013	CAPUCHON	PLASTIC PLUG	

CAPACITY EXTENSION 12"/ REHAUSSE 12"					
ITEM	QT	PART/PIECE	ENGLISH DESCRIPTION	DESCRIPTION FRANCAISE	NOTE
1	1	090-REH-BR	EXTENSION HANDLE	POIGNÉE DE REHAUSSE	
2	4	097-REH-AA	EXTENSION SECTION	SECTION DE REHAUSSE	
3	28	502006-1	FLAT WASHER 1/2 Z	RONDELLE PLATE 1/2 Z	
4	4	502008	FLAT WASHER 5/8 Z	RONDELLE PLATE 5/8 Z	
5	2	506020	HEX. BOLT M16 X 2 X 45mm CL8.8	BOULON HEX. M16 X 2 X 45mm CL8.8	
6	2	506037	NYLON NUT M16 X 2	ECROU NYLON M16 X 2	
7	40	506040	NYLON NUT M12 X 1.75	ECROU NYLON M12 X 1.75	
8	12	506102	HEX. BOLT M12 X 1.75 X 45mm CL8.8	BOULON HEX. M12 X 1.75 X 45mm CL8.8	
9	28	507135	CARRIAGE BOLT M12 X 1.75 X 40 CL8.8	BOULON CAROSSERIE M12 X 1.75 X 40 CL8.8	
10	2	481013	CAPUCHON	PLASTIC PLUG	

CAPACITY EXTENSION 18"/ REHAUSSE 18"					
ITEM	QT	PART/PIECE	ENGLISH DESCRIPTION	DESCRIPTION FRANCAISE	NOTE
1	1	090-REH-BR	EXTENSION HANDLE	POIGNÉE DE REHAUSSE	
2	4	097-REH-AI	END SECTION	SECTION DU BOUT	
3	28	502006-1	FLAT WASHER 1/2 Z	RONDELLE PLATE 1/2 Z	
4	4	502008	FLAT WASHER 5/8 Z	RONDELLE PLATE 5/8 Z	
5	2	506020	HEX. BOLT M16 X 2 X 45mm CL8.8	BOULON HEX. M16 X 2 X 45mm CL8.8	
6	2	506037	NYLON NUT M16 X 2	ECROU NYLON M16 X 2	
7	40	506040	NYLON NUT M12 X 1.75	ECROU NYLON M12 X 1.75	
8	12	506102	HEX. BOLT M12 X 1.75 X 45mm CL8.8	BOULON HEX. M12 X 1.75 X 45mm CL8.8	
9	28	507135	CARRIAGE BOLT M12 X 1.75 X 40 CL8.8	BOULON CAROSSERIE M12 X 1.75 X 40 CL8.8	
10	2	481013	CAPUCHON	PLASTIC PLUG	

# 17 - HAY RETENTION RING / ANNEAU ANTI-DÉBORDEMENT



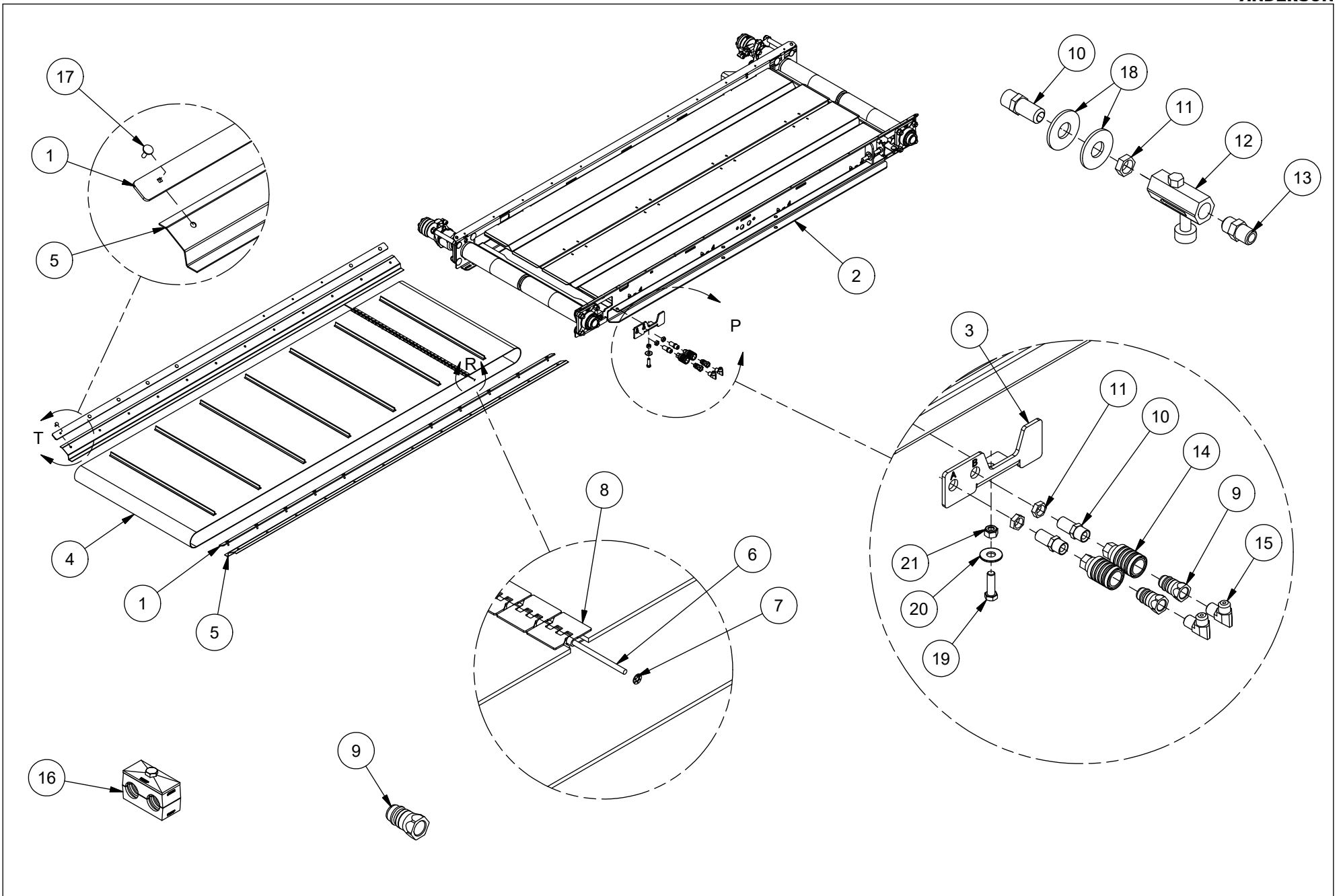
# 17 - HAY RETENTION RING / ANNEAU ANTI-DÉBORDEMENT



**ANDERSON**

ITEM	QT	PART/PIECE	ENGLISH DESCRIPTION	DESCRIPTION FRANCAISE	NOTE
1	2	093-REH-043	MOUNTING PLATE	PLAQUE DE FIXATION	
2	2	093-REH-045	MOUNTING PLATE	PLAQUE DE FIXATION	
3	8	097-REH-006	MOUNTING PLATE	PLAQUE DE FIXATION	
4	2	097-REH-AD	QUATER SECTION LEFT	QUART DE SECTION GAUCHE	
5	2	097-REH-AE	QUATER SECTION RIGHT	QUART DROIT SECTION	
6	6	206334	SPACER T.M. 1" X L 0,75" X 0.218" MUR	ESPACER T.M. 1" X L 0,75" X 0.218" MUR	
7	46	502006-1	FLAT WASHER 1/2 Z	RONDELLE PLATE 1/2 Z	
8	8	506008-2	HEX. BOLT M12 X 1.75 X 30mm CL8.8	BOULON HEX. M12 X 1.75 X 30mm CL8.8	
9	50	506040	NYLON NUT M12 X 1.75	ECROU NYLON M12 X 1.75	
10	10	506095	HEX. BOLT M12 X 1.75 X 50mm CL8.8	BOULON HEX. M12 X 1.75 X 50mm CL8.8	
11	32	507135	CARRIAGE BOLT M12 X 1.75 X 40 CL8.8	BOULON CAROSSERIE M12 X 1.75 X 40 CL8.8	

# 18A - BELT HORIZONTAL CONVEYOR / CONVOYEUR HORIZONTAL À COURROIE



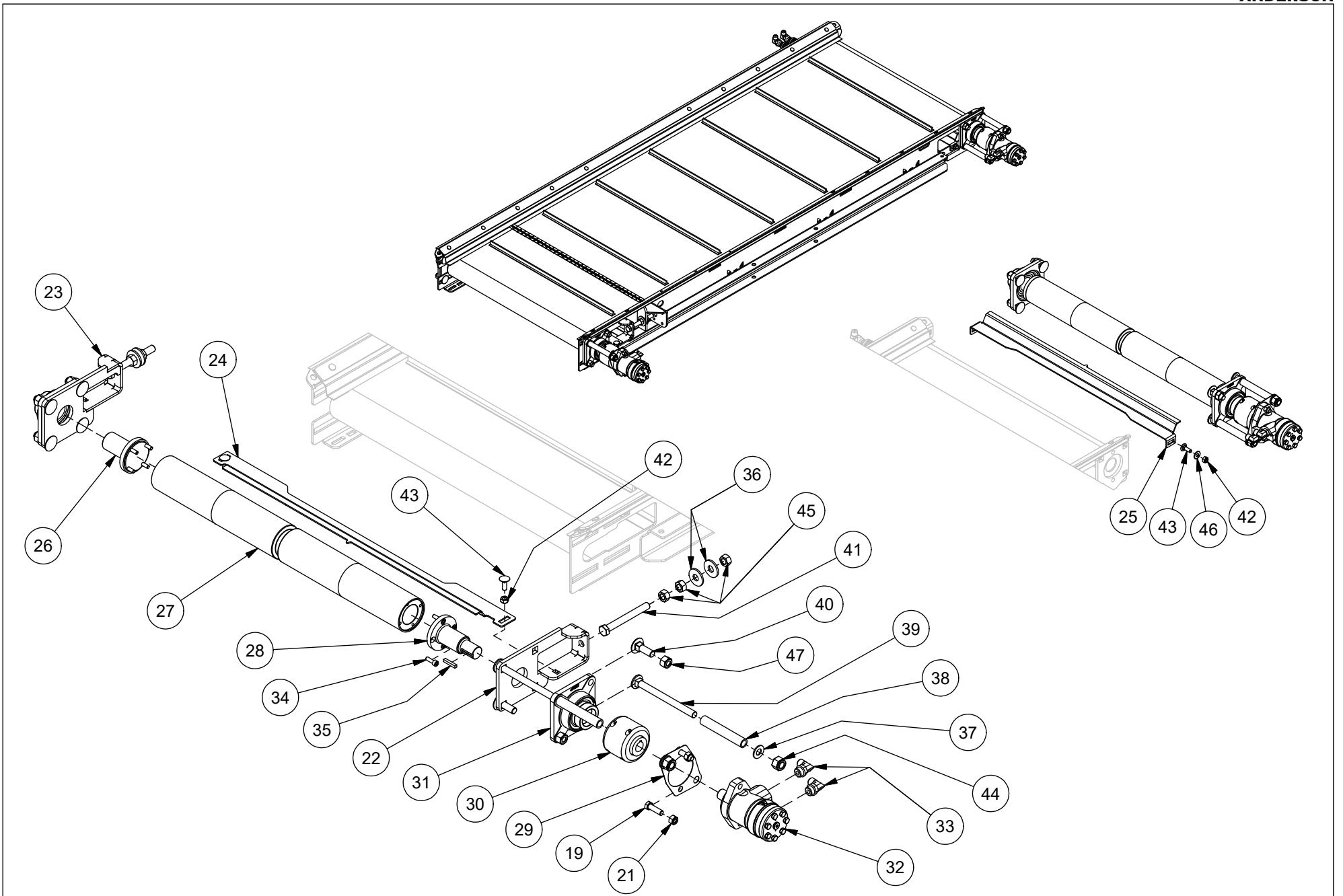
# 18A - BELT HORIZONTAL CONVEYOR / CONVOYEUR HORIZONTAL À COURROIE



**ANDERSON**

ITEM	QT	PART/PIECE	ENGLISH DESCRIPTION	DESCRIPTION FRANCAISE	NOTE
1	2	090-CON-070	RUBBER BELT PLATE	PLAQUE POUR COURROIE DE RUBBER	
2	1	090-CON-AK	HORIZONTAL CONVEYOR FRAME	CHÂSSIS DE CONVOYEUR HORIZONTAL	
3	1	090-CON-160	HYDRAULIC FITTING SUPPORT	SUPPORT D'ADAPTEUR HYDRAULIQUE	
4	1	430041-1	BELT2PLY150 1/32X1/32.75RCCV32.88X190.43	COUR2PLY150 1/32X1/32.75RCCV32.88x190.43	
5	2	250058	RUBBER BELT	COURROIE DE RUBBER	
6	4	320168	CONNECTING PIN	PIN DE CONNEXION	
7	1	325201	ALLIGATOR JOINT WASHER	RONDELLE DE JOINT ALLIGATOR	
8	1	250008	ALLIGATOR ATTACHE 36"	ATTACHE ALLIGATOR 36"	
9	4	452000	1/2 QUICK COUPLER NPTM	RACCORD RAPIDE 1/2 NPTM	
10	4	451457	8 M.JIC - 8 M.NPT	8 M.JIC - 8 M.NPT	
11	4	450899	BH NUT 8	BH NUT 8	
12	2	466409	FLOW CONTROL 1/2" NPT	CONTROL DE DÉBIT 1/2" NPT	
13	2	450548	8 M JIC - 8 M NPT	8 M JIC - 8 M NPT	
14	2	452001	QUICK COUPLER 1/2 F	RACCORD RAPIDE 1/2 F	
15	2	450716	M JIC 8 - M NPT 8 90 DEG	M JIC 8 - M NPT 8 90 DEG	
16	1	470051	DOUBLE HOSE HOLDER 21.3mm (0.84")	SUPPORT BOYAU DOUBLE 21.3mm (0.84")	
17	17	500706	CBZ M6 X 1.0 X 20 CL8.8	CBZ M6 X 1.0 X 20 CL8.8	
18	2	502009	FLAT WASHER 3/4 Z	RONDELLE PLATE 3/4 Z	
19	13	506129	HEX. BOLT M12 X 1.75 X 40mm CL8.8	BOULON HEX. M12 X 1.75 X 40mm CL8.8	
20	1	502006-1	FLAT WASHER 1/2 Z	RONDELLE PLATE 1/2 Z	
21	21	506040	NYLON NUT M12 X 1.75	ECROU NYLON M12 X 1.75	

# 18B - BELT HORIZONTAL CONVEYOR / CONVOYEUR HORIZONTAL À COURROIE



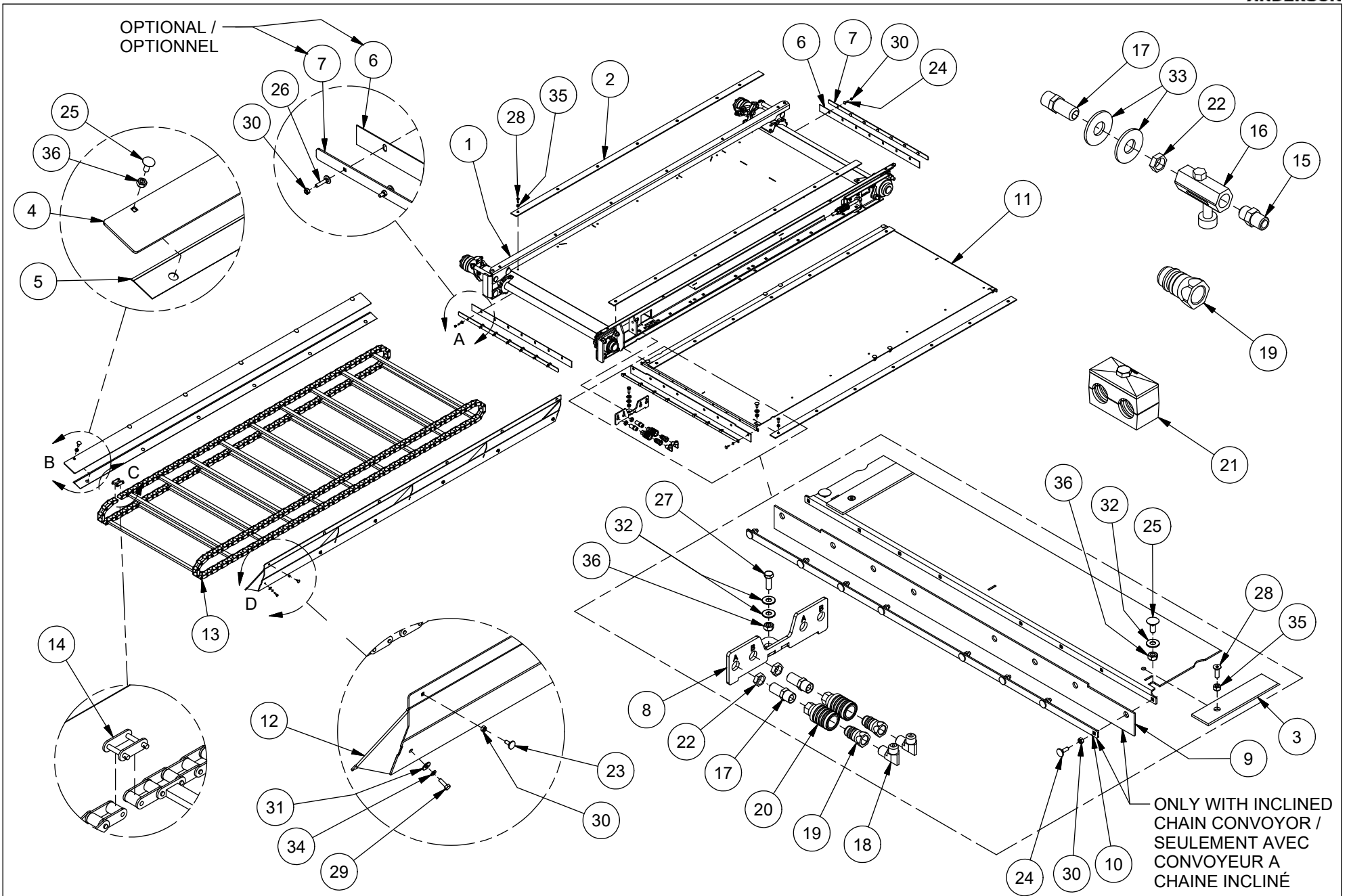


# 18B - BELT HORIZONTAL CONVEYOR / CONVOYEUR HORIZONTAL À COURROIE



ITEM	QT	PART/PIECE	ENGLISH DESCRIPTION	DESCRIPTION FRANCAISE	NOTE
19	13	506129	HEX. BOLT M12 X 1.75 X 40mm CL8.8	BOULON HEX. M12 X 1.75 X 40mm CL8.8	
21	21	506040	NYLON NUT M12 X 1.75	ECROU NYLON M12 X 1.75	
22	1	090-CON-AM	CONVEYOR TENSIONER	TENDEUR DE CONVOYEUR	
23	1	090-CON-AL	CONVEYOR TENSIONER	TENDEUR DE CONVOYEUR	
24	1	091-CON-021	AJUSTABLE PULLEY SCRAPER	RACLOIR DE POULIE AJUSTABLE	
25	1	091-CON-020	FIXED PULLEY SCRAPER	RACLOIR DE POULIE FIXE	
26	2	900782	PULLEY EXTENSION	EXTENSION DE POULIE	
27	2	900783	CONVEYOR PULLEY	POULIE DE CONVOYEUR	
28	2	091-CON-050	DRIVE PULLEY EXTENSION	EXTENSION DE POULIE AVEC ARBRE DE TRANSMISSION	
29	2	090-CON-393	HYDRAULIC MOTOR SUPPORT	SUPPORT DE MOTEUR HYDRAULIQUE	
30	2	322062	CHAIN COUPLING	ACCOUPLLEMENT À CHAÎNE	
31	4	303161	FLANGE BEARING 1 3/4	ROULEMENT A PALIER 1 3/4	
32	2	469161-1	HYD. MOTOR MLHP100CN4UPE	MOTEUR HYD. MLHP100CN4UPE	
33	4	451266	8 M.JIC - 10 M.ORB 90°	8 M.JIC - 10 M.ORB 90°	
34	16	506140	SOCKET HEAD CAP SCREW M8-1.25 X 25MMCL8.8	VIS A TETE CYL. M8-1.25 X 25MMCL8.8	
35	2	325141-1	KEY 1/4 X 1/4 X 1 1/2	CLE 1/4 X 1/4 X 1 1/2	
36	4	502008	FLAT WASHER 5/8 Z	RONDELLE PLATE 5/8 Z	
37	4	502008-1	FLAT WASHER 5/8 Z-SAE	RONDELLE PLATE 5/8 Z-SAE	
38	4	090-CON-180	HYDRAULIC MOTOR LONG SPACER	ESPACEUR LONG DE MOTEUR HYDRAULIQUE	
39	4	500556	CARRIAGE BOLT	BOULON DE CARROSSERIE	
40	12	506154	CARRIAGE BOLT M16 X 2 X 50 CL8.8	CBZ M16 - 2.00 X 50MM CL8.8	
41	2	506150	HEX. BOLT M16 X 2 X 140mm FT CL8.8	BOULON HEX. M16 X 2 X 140mm FT CL8.8	
42	4	506039	NYLON NUT M10 X 1.5	ECROU NYLON M10 X 1.5	
43	4	500705	CARRIAGE BOLT M10 X 1.50 X 30 CL4.6	BOULON CAROSSERIE M10 X 1.50 X 30 CL4.6	
44	4	501035	HEX NYLON LOCKNUT GR5 5/8-11 Z	ÉCROU NYLON IND HEX GR5 5/8-11 Z	
45	6	501119	HEX NUT M16 X 2 CL8 Z	ÉCROU HEX M16 X 2 CL8 Z	
46	2	502004	FLAT WASHER 3/8 Z	RONDELLE PLATE 3/8 Z	
47	12	506037	NYLON NUT M16 X 2	ECROU NYLON M16 X 2	

# 18C - CHAIN HORIZONTAL CONVEYOR / CONVOYEUR HORIZONTAL À CHAÎNE

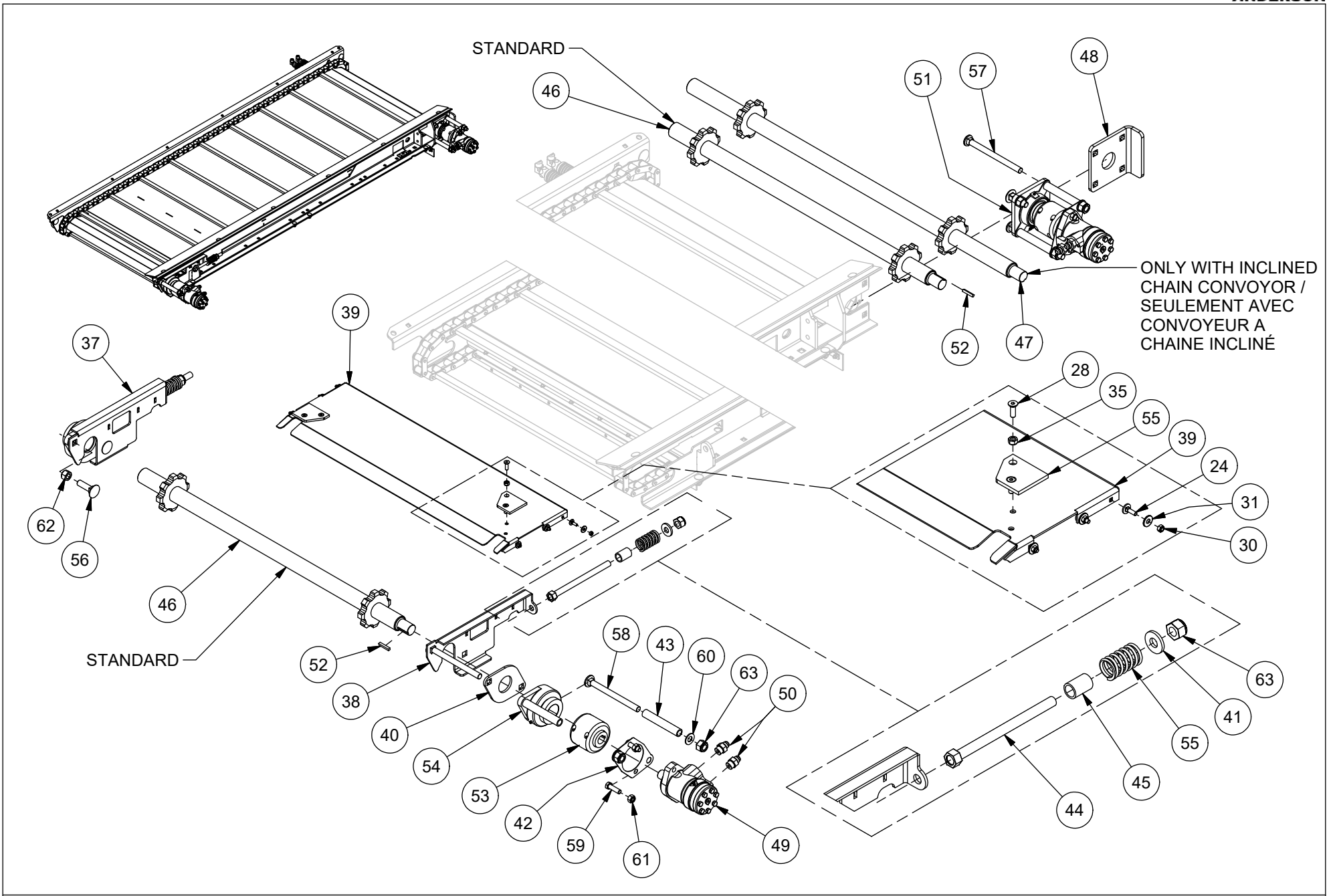


# 18C - CHAIN HORIZONTAL CONVEYOR / CONVOYEUR HORIZONTALE À CHAÎNE



ITEM	QT	PART/PIECE	ENGLISH DESCRIPTION	DESCRIPTION FRANCAISE	NOTE
1	1	097-CON-AP	HORIZONTAL CONVEYOR FRAME	CHÂSSIS DE CONVOYEUR HORIZONTAL	
2	2	097-CON-055	BLACK UHMW ABOVE CHAIN CONVEYOR HORIZONTAL	UHMW NOIR DESSUS CONVOYEUR HORIZONTAL À CHAÎNE	3/16" X 1 7/8" X 80 7/8"
3	2	097-CON-097	BLACK UHMW UNDER CHAIN CONVEYOR HORIZONTAL	UHMW NOIR SOUS CONVOYEUR HORIZONTAL À CHAÎNE	3/16" X 1 7/8" X 78 3/4"
4	1	097-CON-184	RUBBER BELT PLATE	PLAQUE POUR COURROIE DE RUBBER	
5	1	097-CON-185	RUBBER BELT	COURROIE DE RUBBER	
6	2	097-CON-187	RUBBER BELT	COURROIE DE RUBBER	
7	2	097-CON-189	FIXATION RUBBER BELT	FIXATION POUR COURROIE DE CAOUTCHOUC	
8	1	097-CON-195	HYDRAULIC FITTING SUPPORT	SUPPORT D'ADAPTEUR HYDRAULIQUE	
9	1	097-CON-374	RUBBER BELT	COURROIE DE RUBBER	ONLY WITH INCLINED CHAIN CONVOYOR / SEULEMENT AVEC CONVOYEUR A CHAÎNE INCLINÉ
10	1	097-CON-376	FLAT BAR	BARRE PLATE	
11	1	097-CON-062	BOTTOM PLATE	PLAQUE DU DESSOUS	
12	1	097-CON-DK	DEFLECTOR	DEFLECTEUR	
13	1	302580	CHAIN	CHAÎNE	
14	0	302583	CA620 CONNECTING LINK	MAILLE PATENTE CA620 CONNECT LINK	
15	2	450548	8 M JIC - 8 M NPT	8 M JIC - 8 M NPT	
16	2	466409	FLOW CONTROL 1/2" NPT	CONTROL DE DÉBIT 1/2" NPT	
17	4	451457	8 M.JIC - 8 M.NPT	8 M.JIC - 8 M.NPT	
18	2	450716	M JIC 8 - M NPT 8 90 DEG	M JIC 8 - M NPT 8 90 DEG	
19	4	452000	1/2 QUICK COUPLER NPTM	RACCORD RAPIDE 1/2 NPTM	
20	2	452001	QUICK COUPLER 1/2 F	RACCORD RAPIDE 1/2 F	
21	4	470051	DOUBLE HOSE HOLDER 21.3mm (0.84")	SUPPORT BOYAU DOUBLE 21.3mm (0.84")	
22	4	450899	BH NUT 8	BH NUT 8	
23	6	506157	CARRIAGE BOLT M6 X 1.0 X 16 CL8.8	BOULON CAROSSERIE M6 X 1.0 X 16 CL8.8	
24	21	500706	CBZ M6 X 1.0 X 20 CL8.8	CBZ M6 X 1.0 X 20 CL8.8	
25	14	500700	CARRIAGE BOLT M10 X 1.50 X 25 CL8.8	BOULON CAROSSERIE M10 X 1.50 X 25 CL8.8	
26	7	500714	CBZ M6 X 1.0 X 30 CL8.8	CBZ M6 X 1.0 X 30 CL8.8	
27	1	506009-2	HEX. BOLT M10 X 1.5 X 30mm CL8.8	BOULON HEX. M10 X 1.5 X 30mm CL8.8	
28	33	507052-1	HEX FLAT SOCKET HEAD BOLT M8 X 1,25 - 25	BOULON TÊTE CREUSE PLATE HEX M8 X 1,25 - 25	
29	6	506124	HEX. BOLT M6 X 1 X 20mm CL8.8	BOULON HEX. M6 X 1 X 20mm CL8.8	
30	34	506050	HEX NUT M6 X 1	ECROU NYLON M6 X 1	
31	12	502002	FLAT WASHER 1/4 Z	RONDELLE PLATE 1/4 Z	
32	10	502004	FLAT WASHER 3/8 Z	RONDELLE PLATE 3/8 Z	
33	2	502009	FLAT WASHER 3/4 Z	RONDELLE PLATE 3/4 Z	
34	6	502064	LOCK WASHER 1/4	RONDELLE DE BLOCAGE 1/4	
35	32	506051	NYLON NUT M8 X 1.25	ECROU NYLON M8 X 1.25	
36	15	506039	NYLON NUT M10 X 1.5	ECROU NYLON M10 X 1.5	

# 18D - CHAIN HORIZONTAL CONVEYOR / CONVOYEUR HORIZONTALE À CHAÎNE



# 18D - CHAIN HORIZONTAL CONVEYOR / CONVOYEUR HORIZONTAL À CHAÎNE



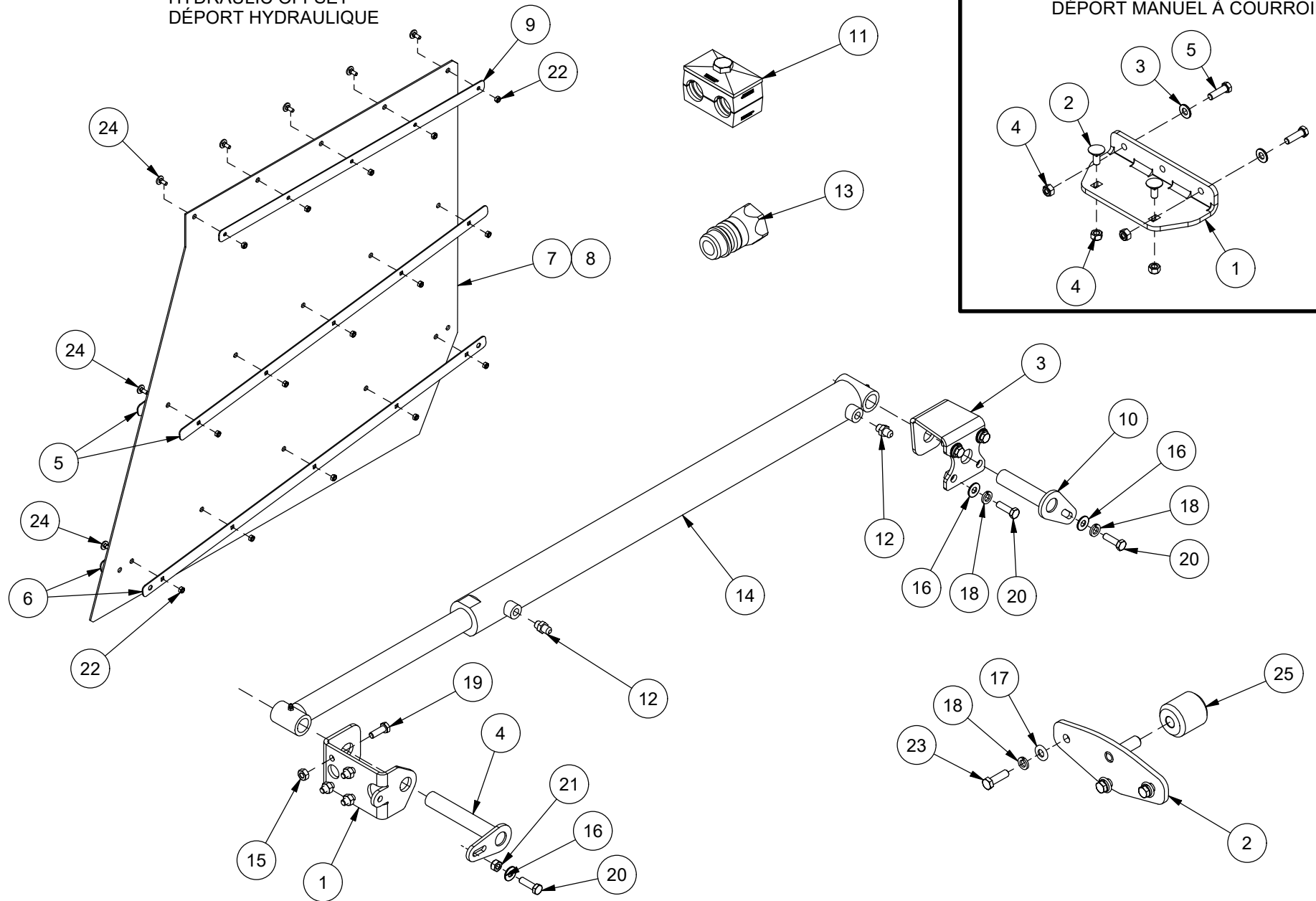
ITEM	QT	PART/PIECE	ENGLISH DESCRIPTION	DESCRIPTION FRANCAISE	NOTE
24	21	500706	CBZ M6 X 1.0 X 20 CL8.8	CBZ M6 X 1.0 X 20 CL8.8	
28	33	507052-1	HEX FLAT SOCKET HEAD BOLT M8 X 1,25 - 25	BOULON TÊTE CREUSE PLATE HEX M8 X 1,25 - 25	
30	34	506050	HEX NUT M6 X 1	ECROU NYLON M6 X 1	
31	12	502002	FLAT WASHER 1/4 Z	RONDELLE PLATE 1/4 Z	
35	32	506051	NYLON NUT M8 X 1.25	ECROU NYLON M8 X 1.25	
37	1	097-CON-106	BEARING FIXATION	FIXATION A ROULEMENT	
38	1	097-CON-106M	BEARING MOUNTING	FIXATION POUR ROULEMENT	
39	1	097-CON-AZ	CONVEYOR PLATE	PLAQUE DU CONVOYEUR	
40	2	097-CON-114	CHAIN CONVEYOR HEAD BEARING SPACER	ESPACEUR DE ROULEMENT TÊTE DE CONVOYEUR À CHAÎNE	
41	2	097-CON-183	WASHER	RONDELLE	
42	2	090-CON-393	HYDRAULIC MOTOR SUPPORT	SUPPORT DE MOTEUR HYDRAULIQUE	
43	4	090-CON-180	HYDRAULIC MOTOR LONG SPACER	ESPACEUR LONG DE MOTEUR HYDRAULIQUE	
44	2	097-CON-BB	AJUSTMENT SCREW	VIS D'AJUSTEMENT	
45	2	097-CON-150	ADJUSTMENT SCREW STOP	BUTÉ DE VIS D'AJUSTEMENT	
46	2	097-CON-BI	SHAFT AND GEAR	AERBRE ET ENGRENAGE	STANDARD
47	1	097-CON-BJ	SHAFT AND GEAR	ARBRE ET ENGRENAGE	ONLY WITH INCLINED CHAIN CONVOYOR / SEULEMENT AVEC CONVOYEUR A CHAINE INCLINÉ
48	2	097-CON-125	BEARING SUPPORT	SUPPORT DE ROULEMENT	
49	2	469173	HYD. MOTOR MLHP100CN4UPE+KPDR145/AP/3	MOTEUR HYD. MLHP100CN4UPE+KPDR145/AP/3	
50	4	451179	8 M JIC - 10 M ORB	8 M JIC - 10 M ORB	
51	2	303161	FLANGE BEARING 1 3/4	ROULEMENT A PALIER 1 3/4	
52	2	325141-1	KEY 1/4 X 1/4 X 1 1/2	CLE 1/4 X 1/4 X 1 1/2	
53	2	322062	CHAIN COUPLING	ACCOUPLLEMENT À CHAÎNE	
54	2	303048	BEARING HCFT209-28	ROULEMENT HCFT209-28	
55	2	097-CON-544	ANTI-NOISE PLATE CHAIN CONVEYOR	PLAQUE ANTI-BRUIT CONVOYEUR À CHAINE	
55	2	304085	COMPRESSION SPRING 1.46 X 1.086 X 2.50	RESSORT COMPRESSION 1.46 X 1.086 X 2.50	
56	8	506153	CARRIAGE BOLT M16 X 2 X 60 CL8.8	BOULON CARROSSERIE M16 X 2 X 60 CL8.8	
57	2	500554	CARRIAGE BOLT	BOULON DE CARROSSERIE	
58	2	500556	CARRIAGE BOLT	BOULON DE CARROSSERIE	
59	16	506129	HEX. BOLT M12 X 1.75 X 40mm CL8.8	BOULON HEX. M12 X 1.75 X 40mm CL8.8	
60	4	502008-1	FLAT WASHER 5/8 Z-SAE	RONDELLE PLATE 5/8 Z-SAE	
61	24	506040	NYLON NUT M12 X 1.75	ECROU NYLON M12 X 1.75	
62	8	506037	NYLON NUT M16 X 2	ECROU NYLON M16 X 2	
63	6	501035	HEX NYLON LOCKNUT GR5 5/8-11 Z	ÉCROU NYLON IND HEX GR5 5/8-11 Z	

# 18E - BELT CONVEYOR OFFSET / DÉPORT CONVOYEUR À COURROIE



HYDRAULIC OFFSET  
DÉPORT HYDRAULIQUE

BELT MANUAL OFFSET  
DÉPORT MANUEL À COURROIE



# 18E - BELT CONVEYOR OFFSET / DÉPORT CONVOYEUR À COURROIE

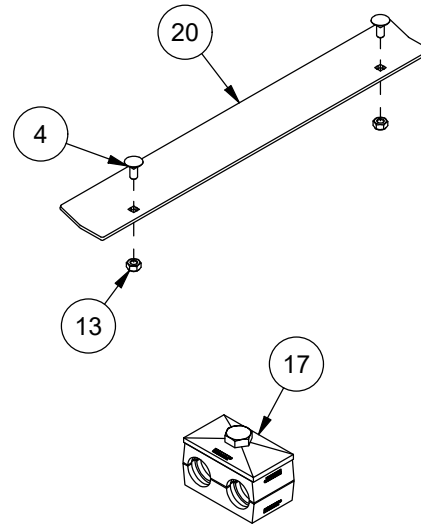
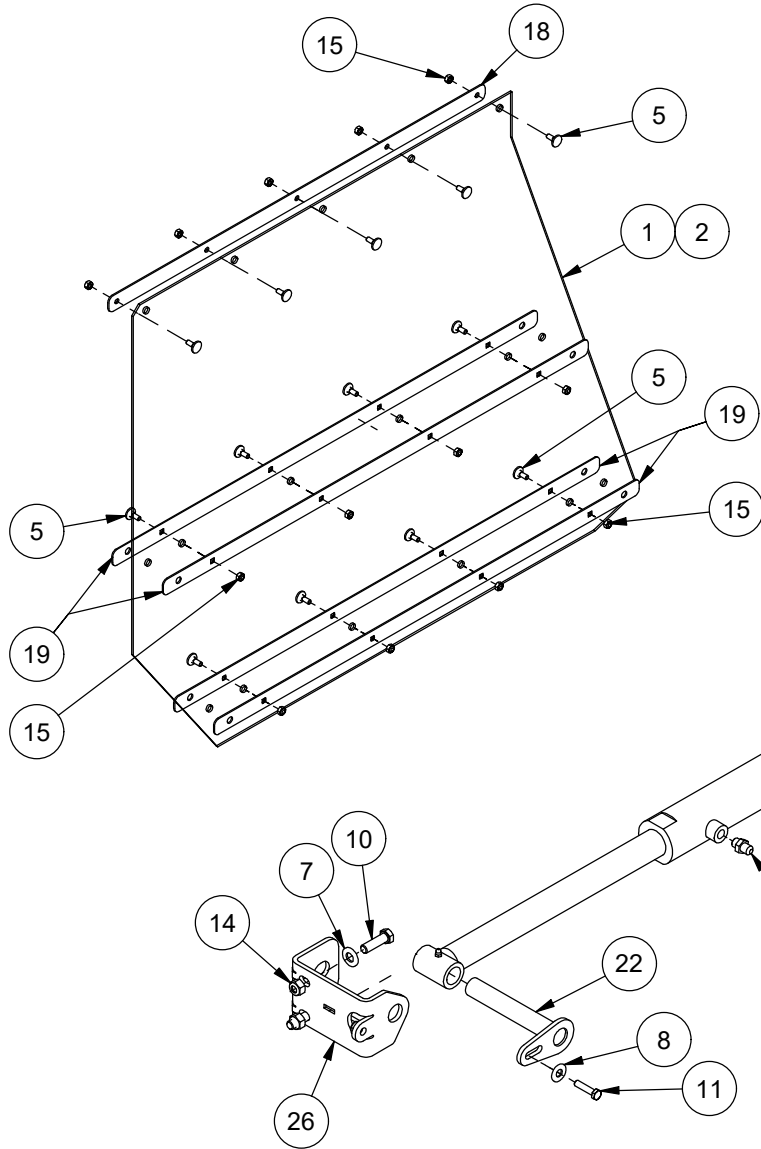


HYDRAULIC OFFSET / DÉPORT HYDRAULIQUE					
ITEM	QT	PART/PIECE	ENGLISH DESCRIPTION	DESCRIPTION FRANCAISE	NOTE
1	1	090-CON-436	CYLINDER ATTACHMENT	ATTACHE DE CYLINDRE	
2	4	090-CON-AT	ROLLER SUPPORT	SUPPORT DE ROULEAU	
3	1	090-CON-BN	CYLINDER SUPPORT	SUPPORT DE CYLINDRE	
4	1	090-CON-EE	PLATED PIN	GOUPILLE PLAQUEE	
5	4	090-GRD-047	WEIGHT PLATE	PLAQUE DE POIDS	
6	4	090-GRD-048	WEIGHT PLATE	PLAQUE DE POIDS	
7	1	097-GRD-009L	LEFT BLACK RETENTION CANVAS	TOILE DE RÉTENTION NOIR GAUCHE	
8	1	097-GRD-009R	RIGHT BLACK RETENTION CANVAS	TOILE DE RÉTENTION NOIR DROIT	
9	2	097-GRD-010	WEIGHT PLATE	PLAQUE DE POIDS	
10	1	250063	PLATED PIN	GOUPILLE PLAQUEE	
11	6	320009-3	PIPE CLAMP	SUPPORT BOYAU	
12	2	451171	6 M.JIC- 6M.ORB	6 M.JIC- 6M.ORB	
13	2	452000	1/2 QUICK COUPLER NPTM	RACCORD RAPIDE 1/2 NPTM	
14	1	467355	CYLINDER HBU 2030-S	CYLINDRE HBU 2030-S	SEAL KIT #467833
15	4	501135	HEX NUT M10 X 1.5 CL8 Z	ÉCROU HEX M10 X 1.5 CL8 Z	
16	5	502004	FLAT WASHER 3/8 Z	RONDELLE PLATE 3/8 Z	
17	12	502006	FLAT WASHER 1/2 Z-SAE	RONDELLE PLATE 1/2 Z-SAE	
18	16	502048	LOCK WASHER 1/2	RONDELLE DE BLOCAGE 1/2	
19	4	506009-2	HEX. BOLT M10 X 1.5 X 30mm CL8.8	BOULON HEX. M10 X 1.5 X 30mm CL8.8	
20	5	506009-3	HEX. BOLT M10 X 1.5 X 35mm CL8.8	BOULON HEX. M10 X 1.5 X 35mm CL8.8	
21	1	506039	NYLON NUT M10 X 1.5	ECROU NYLON M10 X 1.5	
22	30	506050	HEX NUT M6 X 1	ECROU NYLON M6 X 1	
23	12	506129	HEX. BOLT M12 X 1.75 X 40mm CL8.8	BOULON HEX. M12 X 1.75 X 40mm CL8.8	
24	30	506157	CARRIAGE BOLT M6 X 1.0 X 16 CL8.8	BOULON CAROSSERIE M6 X 1.0 X 16 CL8.8	
25	4	900785	ROLLER	ROULEAU	

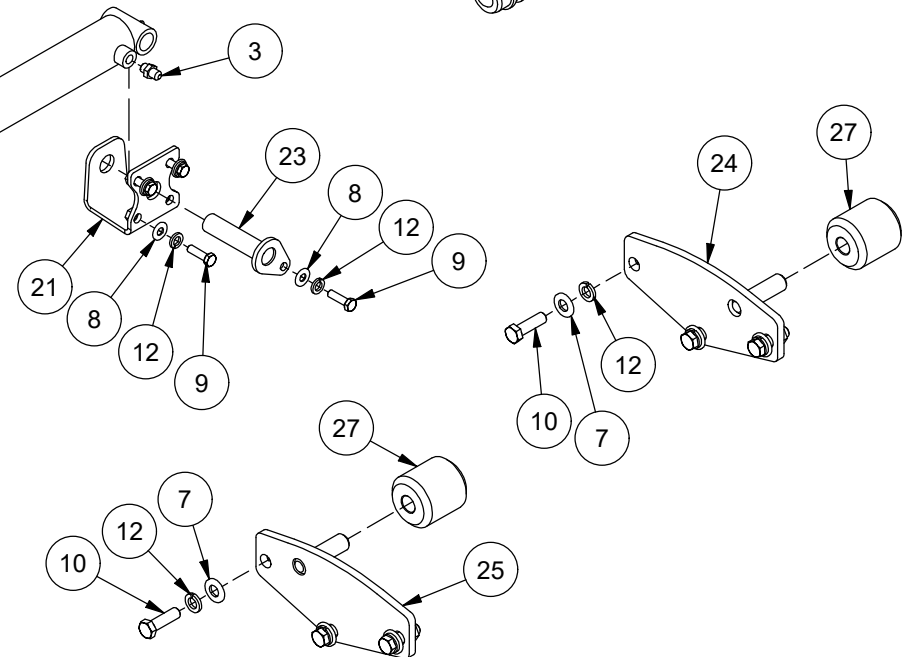
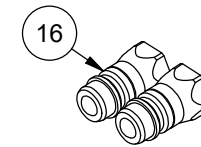
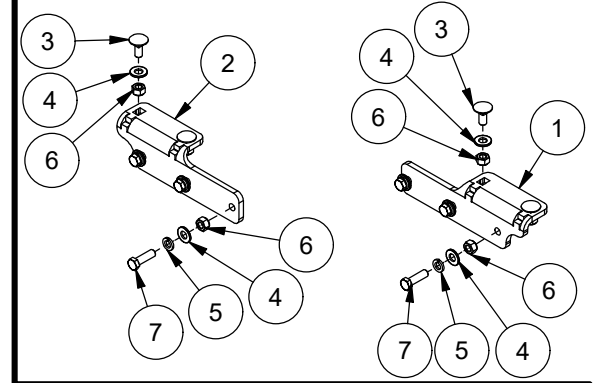
BELT MANUAL OFFSET / DÉPORT MANUEL À COURROIE					
ITEM	QT	PART/PIECE	ENGLISH DESCRIPTION	DESCRIPTION FRANCAISE	NOTE
1	4	090-CON-075	CONVEYOR SUPPORT	SUPPORT À CONVOYEUR	
2	8	500701	CARRIAGE BOLT M12 X 1.75 X 30 CL8.8	BOULON CAROSSERIE M12 X 1.75 X 30 CL8.8	
3	16	502006	FLAT WASHER 1/2 Z-SAE	RONDELLE PLATE 1/2 Z-SAE	
4	16	506040	NYLON NUT M12 X 1.75	ECROU NYLON M12 X 1.75	
5	8	506129	HEX. BOLT M12 X 1.75 X 40mm CL8.8	BOULON HEX. M12 X 1.75 X 40mm CL8.8	

# 18F - CHAIN CONVEYOR OFFSET / DÉPORT CONVOYEUR À CHAÎNE

## HYDRAULIC OFFSET DÉPORT HYDRAULIQUE



## CHAIN MANUAL OFFSET DÉPORT MANUEL À CHÂNE





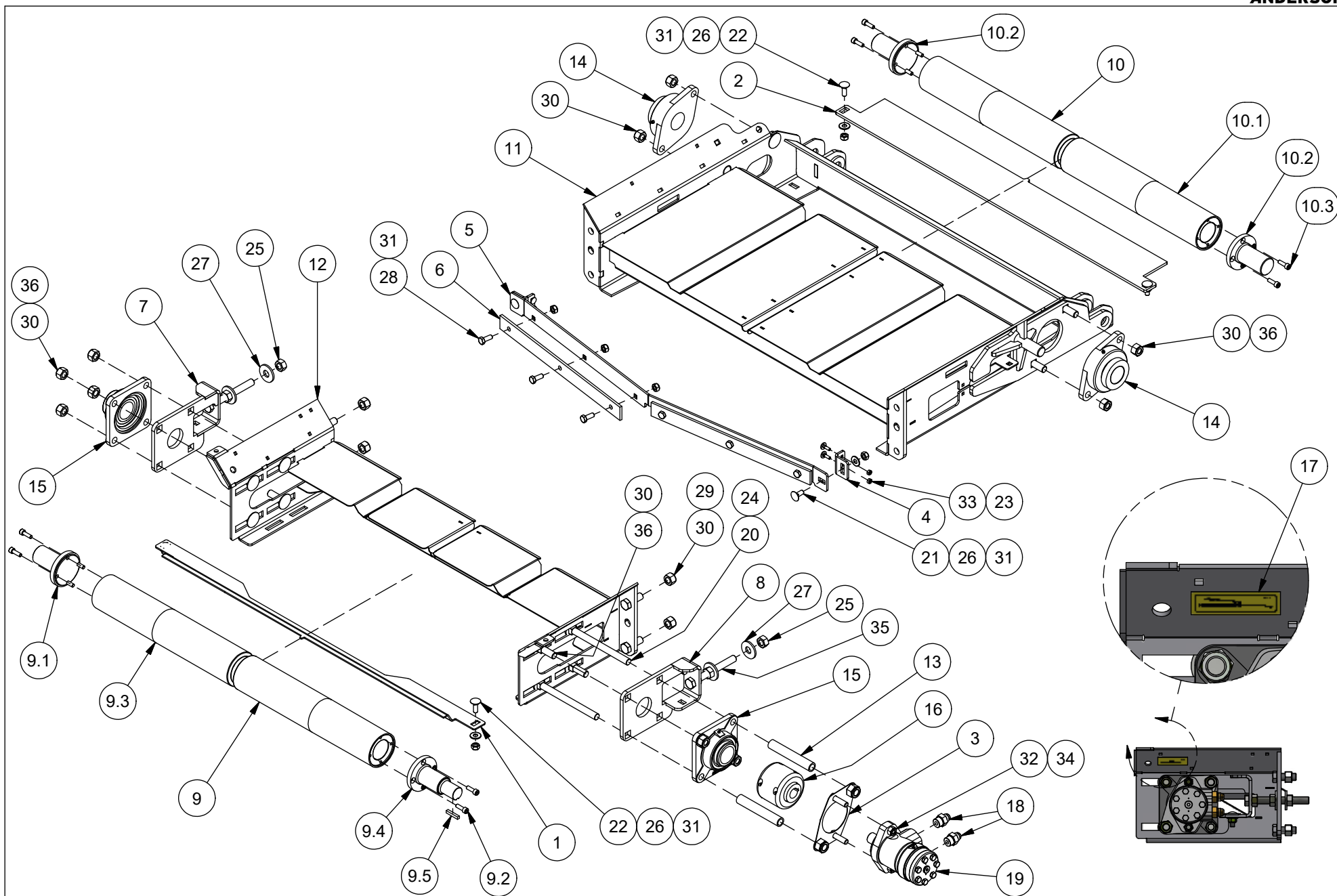
# 18F - CHAIN CONVEYOR OFFSET / DÉPORT CONVOYEUR À CHAÎNE



HYDRAULIC OFFSET / DÉPORT HYDRAULIQUE						
ITEM	QT	PART/PIECE	ENGLISH DESCRIPTION	DESCRIPTION FRANCAISE	NOTE	
1	1	090-GRD-075L	LEFT BLACK RETENTION CANVAS	TOILE NOIR DE RETENTION GAUCHE		
2	1	090-GRD-075R	RIGHT BLACK RETENTION CANVAS	TOILE DE RÉTENTION NOIR DROIT		
3	2	451171	6 M.JIC- 6M.ORB	6 M.JIC- 6M.ORB		
4	4	500700	CARRIAGE BOLT M10 X 1.50 X 25 CL8.8	BOULON CAROSSERIE M10 X 1.50 X 25 CL8.8		
5	26	506157	CARRIAGE BOLT M6 X 1.0 X 16 CL8.8	BOULON CAROSSERIE M6 X 1.0 X 16 CL8.8		
6	1	467355	CYLINDER HBU 2030-S	CYLINDRE HBU 2030-S	SEAL KIT #467833	
7	14	502006	FLAT WASHER 1/2 Z-SAE	RONDELLE PLATE 1/2 Z-SAE		
8	5	502004	FLAT WASHER 3/8 Z	RONDELLE PLATE 3/8 Z		
9	4	506009-3	HEX. BOLT M10 X 1.5 X 35mm CL8.8	BOULON HEX. M10 X 1.5 X 35mm CL8.8		
10	14	506129	HEX. BOLT M12 X 1.75 X 40mm CL8.8	BOULON HEX. M12 X 1.75 X 40mm CL8.8		
11	1	506086	HEX. BOLT M8 X 1.25 X 35mm CL8.8	BOULON HEX. M8 X 1.25 X 35mm CL8.8		
12	16	502048	LOCK WASHER 1/2	RONDELLE DE BLOCAGE 1/2		
13	5	506039	NYLON NUT M10 X 1.5	ECROU NYLON M10 X 1.5		
14	2	506040	NYLON NUT M12 X 1.75	ECROU NYLON M12 X 1.75		
15	26	506050	HEX NUT M6 X 1	ECROU NYLON M6 X 1		
16	2	452000	1/2 QUICK COUPLER NPTM	RACCORD RAPIDE 1/2 NPTM		
17	6	320009-3	PIPE CLAMP	SUPPORT BOYAU		
18	2	090-GRD-046	WEIGHT PLATE	PLAQUE DE POIDS		
19	8	091-GRD-043	WEIGHT PLATE	PLAQUE DE POIDS		
20	2	097-CON-194	RUBBER BELT PLATE	PLAQUE POUR COURROIE DE RUBBER		
21	1	090-CON-BN	CYLINDER SUPPORT	SUPPORT DE CYLINDRE		
22	1	090-CON-EE	PLATED PIN	GOUPILLE PLAQUEE		
23	1	090-CON-EH	PLATED PIN	GOUPILLE PLAQUEE		
24	2	097-CON-BH	ROLLER SUPPORT	SUPPORT DE ROULEAU		
25	2	097-CON-DF	ROLLER SUPPORT	SUPPORT DE ROULEAU		
26	1	097-CON-GF	CONVEYOR OFFSET CYLINDER SUPPORT	SUPPORT CYLINDRE DEPORT CONVOYEUR		
27	4	900785	ROLLER	ROULEAU		

CHAIN MANUAL OFFSET PIECE / DÉPORT MANUEL À CHAÎNE						
ITEM	QT	PART/PIECE	ENGLISH DESCRIPTION	DESCRIPTION FRANCAISE	NOTE	
1	2	097-CON-332	FRONT CONVEYOR FIXING	FIXATION AVANT CONVOYEUR		
2	2	097-CON-332M	REAR CONVEYOR MOUNTING	FIXATION ARRIÈRE CONVOYEUR		
3	8	500701	CARRIAGE BOLT M12 X 1.75 X 30 CL8.8	BOULON CAROSSERIE M12 X 1.75 X 30 CL8.8		
4	20	502006	FLAT WASHER 1/2 Z-SAE	RONDELLE PLATE 1/2 Z-SAE		
5	12	502048	LOCK WASHER 1/2	RONDELLE DE BLOCAGE 1/2		
6	24	506040	NYLON NUT M12 X 1.75	ECROU NYLON M12 X 1.75		
7	16	506129	HEX. BOLT M12 X 1.75 X 40mm CL8.8	BOULON HEX. M12 X 1.75 X 40mm CL8.8		

# 19A - COMMUN INCLINE BELT CONVEYOR / COMMUN CONVOYEUR INCLINÉ À COURROIE

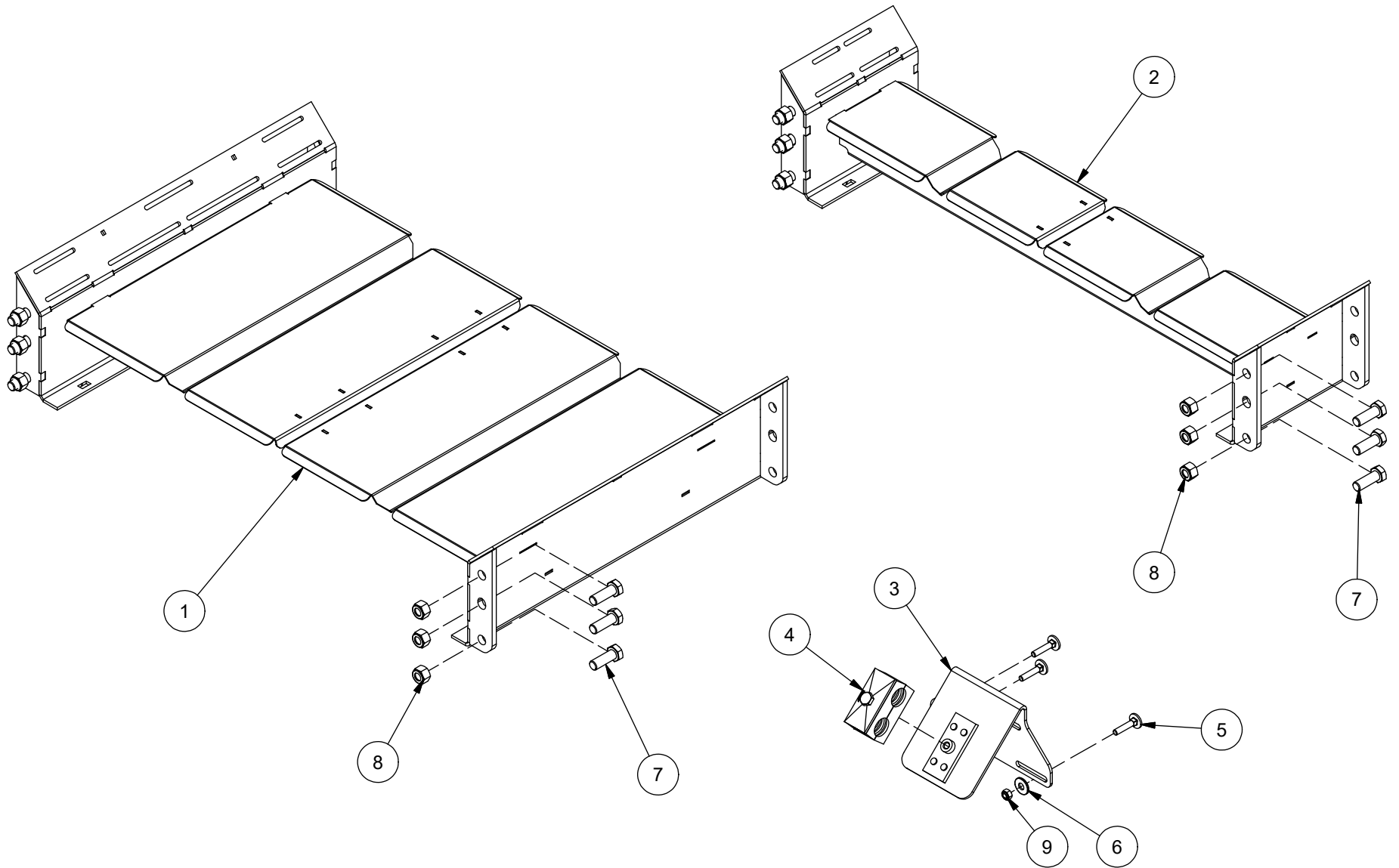


# 19A - COMMUN INCLINE BELT CONVEYOR / COMMUN CONVOYEUR INCLINÉ À COURROIE



ITEM	QT	PART/PIECE	ENGLISH DESCRIPTION	DESCRIPTION FRANCAISE	NOTE
1	1	090-CON-131	ADJUSTABLE PULLEY SCRAPPER	RACLOIR DE POULIE AJUSTABLE	
2	1	090-CON-369	ADJUSTABLE PULLEY SCRAPPER	RACLOIR DE POULIE AJUSTABLE	
3	1	090-CON-393	HYDRAULIC MOTOR SUPPORT	SUPPORT DE MOTEUR HYDRAULIQUE	
4	2	090-CON-394	FIXING BRACKET	BRAQUETTE DE FIXATION	
5	1	090-CON-395	CENTRAL SCRAPPER	RACLOIR CENTRAL	
6	2	090-CON-396	BELT SCRAPER	RACLOIRE DE TAPIS	
7	1	090-CON-AD	CONVOYER TENSIONER	TENDEUR DE CONVOYEUR	
8	1	090-CON-AE	CONVOYER TENSIONER	TENDEUR DE CONVOYEUR	
9	1	090-CON-CE	DRIVE PULLEY FOR BELT CONVEYOR	POULIE DE TÊTE POUR CONVOYEUR A COURROIE	
9.1	1	900782	PULLEY EXTENSION	EXTENSION DE POULIE	
9.2	8	506140	SOCKET HEAD CAP SCREW M8-1.25 X 25MMCL8.8	VIS A TETE CYL. M8-1.25 X 25MMCL8.8	
9.3	1	900809	PULLEY CENTRAL SECTION	SECTION CENTRALE DE LA POULIE	
9.4	1	091-CON-050	DRIVE PULLEY EXTENSION	EXTENSION DE POULIE AVEC ARBRE DE TRANSMISSION	
9.5	1	325141-1	KEY 1/4 X 1/4 X 1 1/2	CLE 1/4 X 1/4 X 1 1/2	
10	1	090-CON-CF	CONVOYER PULLEY	POULIE DE CONVOYEUR	
10.1	1	900809	PULLEY CENTRAL SECTION	SECTION CENTRALE DE LA POULIE	
10.2	2	900782	PULLEY EXTENSION	EXTENSION DE POULIE	
10.3	8	506140	SOCKET HEAD CAP SCREW M8-1.25 X 25MMCL8.8	VIS A TETE CYL. M8-1.25 X 25MMCL8.8	
11	1	090-CON-DE	BOTTOM CONVEYOR FRAME	CHÂSSIS INFÉRIEUR DU CONVOYEUR	
12	1	090-CON-DF	TOP CONVEYOR FRAME	CHÂSSIS SUPÉRIEUR DU CONVOYEUR	
13	2	090-CON-180	HYDRAULIC MOTOR LONG SPACER	ESPACEUR LONG DE MOTEUR HYDRAULIQUE	
14	2	303048	BEARING HCFT209-28	ROULEMENT HCFT209-28	
15	2	303161	FLANGE BEARING 1 3/4	ROULEMENT A PALIER 1 3/4	
16	1	322062	CHAIN COUPLING	ACCOUPLLEMENT À CHAÎNE	
17	4	404002	LUBRICATION STICKER	DECALQUE GRAISSAGE	
18	2	451179	8 M JIC - 10 M ORB	8 M JIC - 10 M ORB	
19	1	469161	HYD. MOTOR MLHP100CN4UPE+KPDR145/AP/3	MOTEUR HYD. MLHP100CN4UPE+KPDR145/AP/3	
20	2	500556	CARRIAGE BOLT	BOULON DE CARROSSERIE	
21	2	500700	CARRIAGE BOLT M10 X 1.50 X 25 CL4.6	BOULON CAROSSERIE M10 X 1.50 X 25 CL4.6	
22	4	500705	CARRIAGE BOLT M10 X 1.50 X 30 CL4.6	BOULON CAROSSERIE M10 X 1.50 X 30 CL4.6	
23	4	500706	CBZ M6 X 1.0 X 20 CL8.8	CBZ M6 X 1.0 X 20 CL8.8	
24	2	501035	HEX NYLON LOCKNUT GR5 5/8-11 Z	ÉCROU NYLON IND HEX GR5 5/8-11 Z	
25	6	501119	HEX NUT M16 X 2 CL8 Z	ÉCROU HEX M16 X 2 CL8 Z	
26	6	502004	FLAT WASHER 3/8 Z	RONDELLE PLATE 3/8 Z	
27	4	502008	FLAT WASHER 5/8 Z	RONDELLE PLATE 5/8 Z	
28	6	506009-1	HEX. BOLT M10 X 1.5 X 25mm CL8.8	BOULON HEX. M10 X 1.5 X 25mm CL8.8	
29	4	506020	HEX. BOLT M16 X 2 X 45mm CL8.8	BOULON HEX. M16 X 2 X 45mm CL8.8	
30	14	506037	NYLON NUT M16 X 2	ECROU NYLON M16 X 2	
31	12	506039	NYLON NUT M10 X 1.5	ECROU NYLON M10 X 1.5	
32	2	506040	NYLON NUT M12 X 1.75	ECROU NYLON M12 X 1.75	
33	4	506050	HEX NUT M6 X 1	ECROU NYLON M6 X 1	
34	2	506129	HEX. BOLT M12 X 1.75 X 40mm CL8.8	BOULON HEX. M12 X 1.75 X 40mm CL8.8	
35	2	506150	HEX. BOLT M16 X 2 X 140mm FT CL8.8	BOULON HEX. M16 X 2 X 140mm FT CL8.8	
36	10	506154	CARRIAGE BOLT M16 X 2 X 50 CL8.8	CBZ M16 - 2.00 X 50MM CL8.8	

# 19B - INTER INCLINED BELT CONVEYOR / INTER CONVOYEUR INCLINÉ À COURROIE



# 19B - INTER INCLINED BELT CONVEYOR / INTER CONVOYEUR INCLINÉ À COURROIE



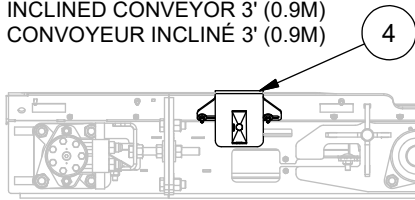
**ANDERSON**

ITEM	QT	PART/PIECE	ENGLISH DESCRIPTION	DESCRIPTION FRANCAISE	NOTE
1	1	090-CON-AC	CENTRAL CONVEYOR FRAME	CHÂSSIS CENTRAL DU CONVOYEUR	
2	1	090-CON-AG	CENTRAL CONVEYOR FRAME	CHÂSSIS CENTRAL DU CONVOYEUR	
3	1	090-CON-BW	HOSE SUPPORT	SUPPORT DE BOYAU	
4	1	470051	DOUBLE HOSE HOLDER 21.3mm (0.84")	SUPPORT BOYAU DOUBLE 21.3mm (0.84")	
5	3	500714	CBZ M6 X 1.0 X 30 CL8.8	CBZ M6 X 1.0 X 30 CL8.8	
6	3	502002	FLAT WASHER 1/4 Z	RONDELLE PLATE 1/4 Z	
7	12	506020	HEX. BOLT M16 X 2 X 45mm CL8.8	BOULON HEX. M16 X 2 X 45mm CL8.8	
8	12	506037	NYLON NUT M16 X 2	ECROU NYLON M16 X 2	
9	3	506050	HEX NUT M6 X 1	ECROU NYLON M6 X 1	

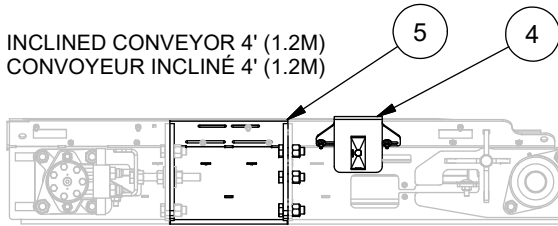
# 19C - SHORT INCLINE BELT CONVOYOR/ CONVOYEUR INCLINÉ COUR À COURROIE



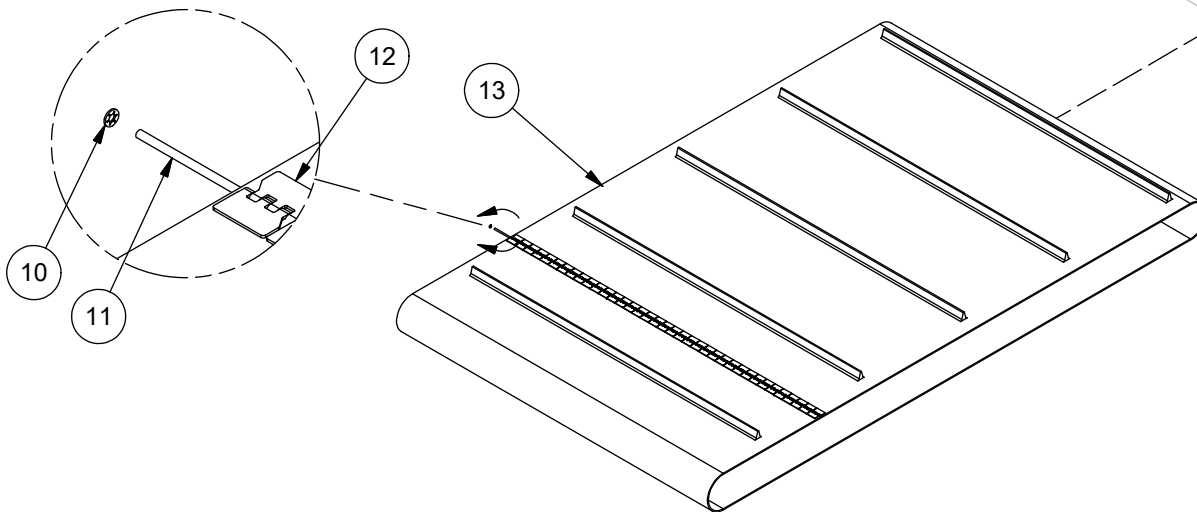
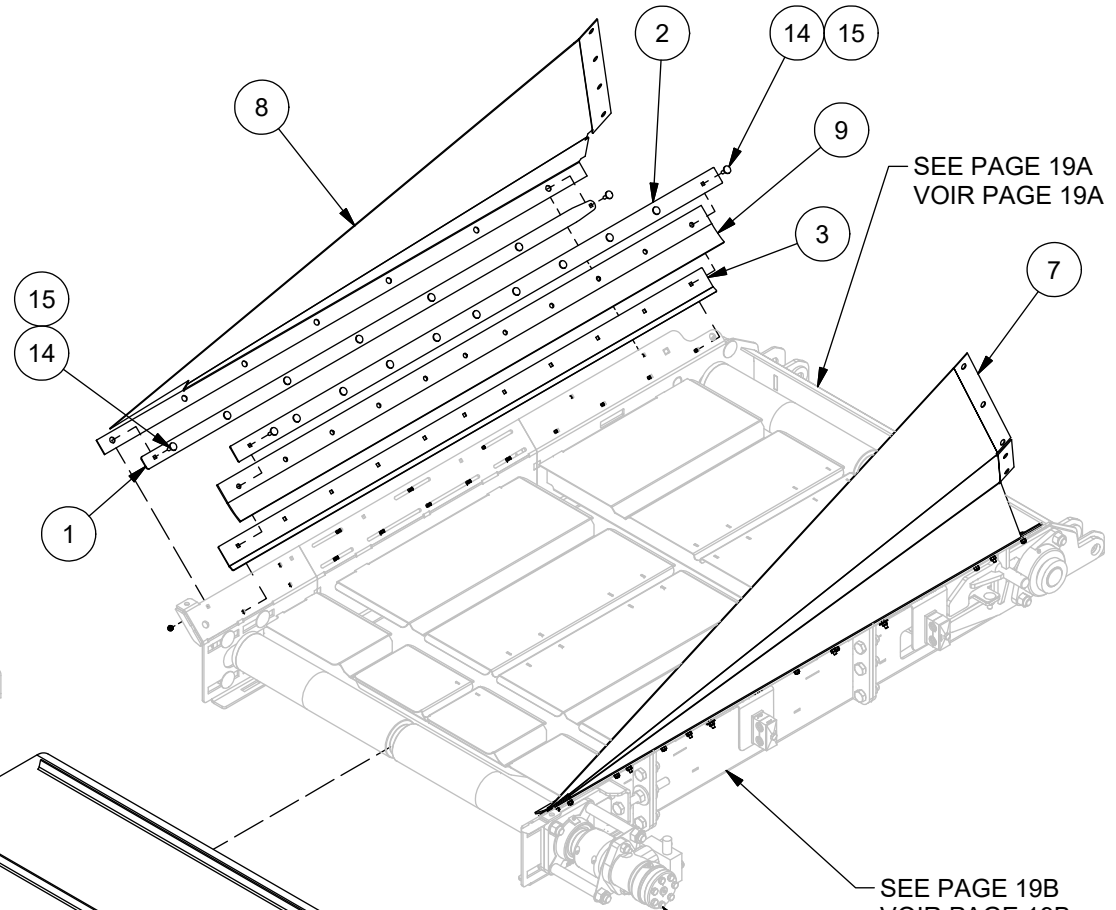
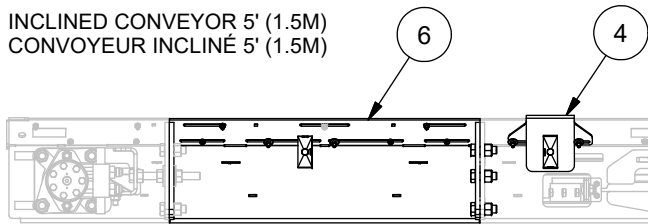
INCLINED CONVEYOR 3' (0.9M)  
CONVOYEUR INCLINÉ 3' (0.9M)



INCLINED CONVEYOR 4' (1.2M)  
CONVOYEUR INCLINÉ 4' (1.2M)



INCLINED CONVEYOR 5' (1.5M)  
CONVOYEUR INCLINÉ 5' (1.5M)



# 19C - SHORT INCLINE BELT CONVOYOR/ CONVOYEUR INCLINÉ COURT À COURROIE

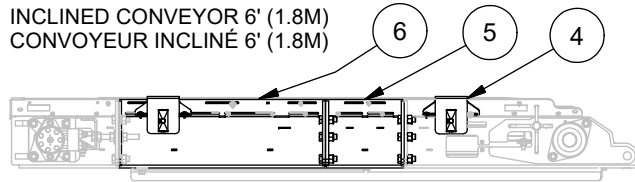


CONVOYOR 3' (0.9M) / CONVOYEUR 3' (0.9M)					
ITEM	QT	PART/PIECE	ENGLISH DESCRIPTION	DESCRIPTION FRANCAISE	NOTE
1	2	090-CON-045	CANVAS PLATE	PLAQUE POUR TOILE	
2	2	090-CON-044	RUBBER BELT PLATE	PLAQUE POUR COURROIE DE RUBBER	
3	2	090-CON-316	BELT PLATE	PLAQUE DE COURROIE	
4	1	090-CON-BW	HOSE SUPPORT	SUPPORT DE BOYAU	
7	1	250351	GRAY CANVAS 090-CON-169	TOILE GRISE 090-CON-169	
8	1	250350	GRAY CANVAS 090-CON-168	TOILE GRISE 090-CON-168	
9	2	322689	RUBBER BELT	COURROIE DE RUBBER	
10	1	325201	ALLIGATOR JOINT WASHER	RONDELLE DE JOINT ALLIGATOR	
11	4	320168	CONNECTING PIN	PIN DE CONNEXION	
12	1	250008	ALLIGATOR ATTACHE 36"	ATTACHE ALLIGATOR 36"	
13	1	430042	BELT 69.881" x 36.625" CH07-9300	COURROIE 69.881" x 36.625" CH07-9300	
14	18	500706	CBZ M6 X 1.0 X 20 CL8.8	CBZ M6 X 1.0 X 20 CL8.8	
15	20	506050	HEX NUT M6 X 1	ECROU NYLON M6 X 1	
CONVOYOR 4' (1.2M) / CONVOYEUR 4' (1.2M)					
ITEM	QT	PART/PIECE	ENGLISH DESCRIPTION	DESCRIPTION FRANCAISE	NOTE
1	2	090-CON-041	CANVAS PLATE	PLAQUE POUR TOILE	
2	2	090-CON-179	RUBBER BELT PLATE	PLAQUE POUR COURROIE DE RUBBER	
3	2	090-CON-317	BELT PLATE	PLAQUE DE COURROIE	
4	1	090-CON-BW	HOSE SUPPORT	SUPPORT DE BOYAU	
5	1	090-CON-CO	INTER SHORT SECTION	INTER SECTION COURTE	
7	1	250353	GRAY CANVAS 090-CON-171	TOILE GRISE 090-CON-171	
8	1	250352	GRAY CANVAS 090-CON-170	TOILE GRISE 090-CON-170	
9	2	322688	RUBBER BELT	COURROIE DE RUBBER	
10	1	325201	ALLIGATOR JOINT WASHER	RONDELLE DE JOINT ALLIGATOR	
11	4	320168	CONNECTING PIN	PIN DE CONNEXION	
12	1	250008	ALLIGATOR ATTACHE 36"	ATTACHE ALLIGATOR 36"	
13	1	430043	BELT 89.567" x 36.625" CH07-9301	COURROIE 89.567" x 36.625" CH07-9301	
14	24	500706	CBZ M6 X 1.0 X 20 CL8.8	CBZ M6 X 1.0 X 20 CL8.8	
15	26	506050	HEX NUT M6 X 1	ECROU NYLON M6 X 1	
CONVOYOR 5' (1.5M) / CONVOYEUR 5' (1.5M)					
ITEM	QT	PART/PIECE	ENGLISH DESCRIPTION	DESCRIPTION FRANCAISE	NOTE
1	2	090-CON-029	CANVAS PLATE	PLAQUE POUR TOILE	
2	2	090-CON-032	RUBBER BELT PLATE	PLAQUE POUR COURROIE DE RUBBER	
3	2	090-CON-318	BELT PLATE	PLAQUE DE COURROIE	
4	2	090-CON-BW	HOSE SUPPORT	SUPPORT DE BOYAU	
6	1	090-CON-CN	INTER LONG SECTION	INTER SECTION LONGUE	
7	1	250355	CANVAS 090-CON-173	TOILE GRISE 090-CON-173	
8	1	250354	CANVAS 090-CON-172	TOILE GRISE 090-CON-172	
9	2	322687	RUBBER BELT	COURROIE DE RUBBER	
10	1	325201	ALLIGATOR JOINT WASHER	RONDELLE DE JOINT ALLIGATOR	
11	4	320168	CONNECTING PIN	PIN DE CONNEXION	
12	1	250008	ALLIGATOR ATTACHE 36"	ATTACHE ALLIGATOR 36"	
13	1	430044	BELT 121.653" x 36.625" CH07-9302	COURROIE 121.653" x 36.625" CH07-9302	
14	32	500706	CBZ M6 X 1.0 X 20 CL8.8	CBZ M6 X 1.0 X 20 CL8.8	
15	36	506050	HEX NUT M6 X 1	ECROU NYLON M6 X 1	

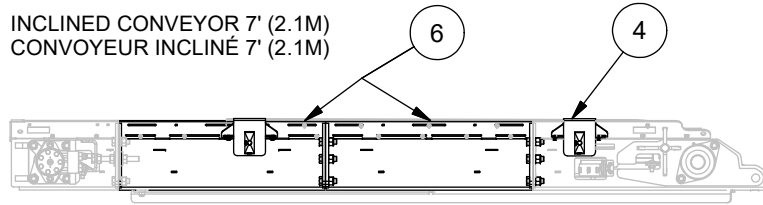
# 19D - LONG INCLINE BELT CONVOYOR/ CONVOYEUR INCLINÉ LONG À COURROIE



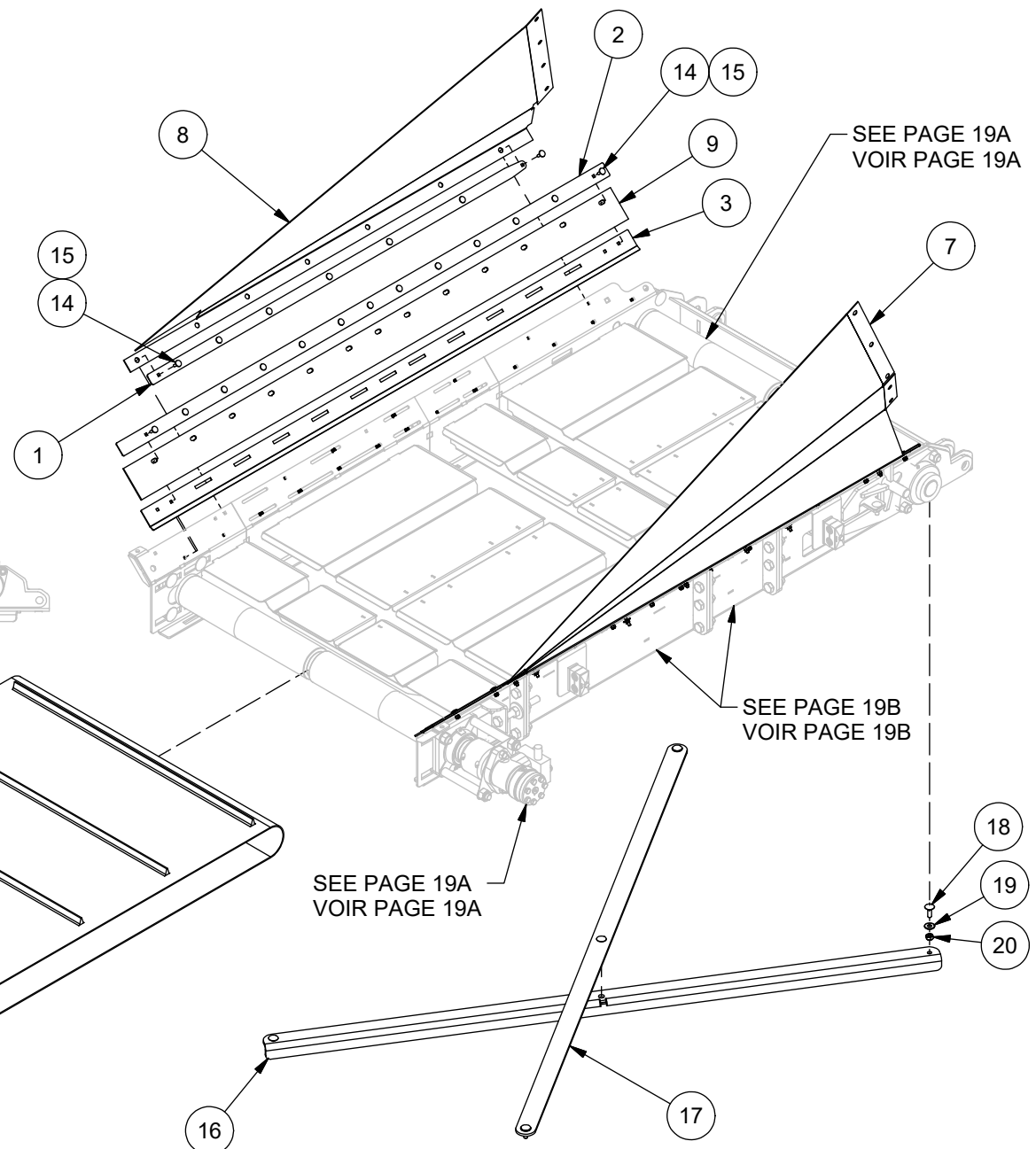
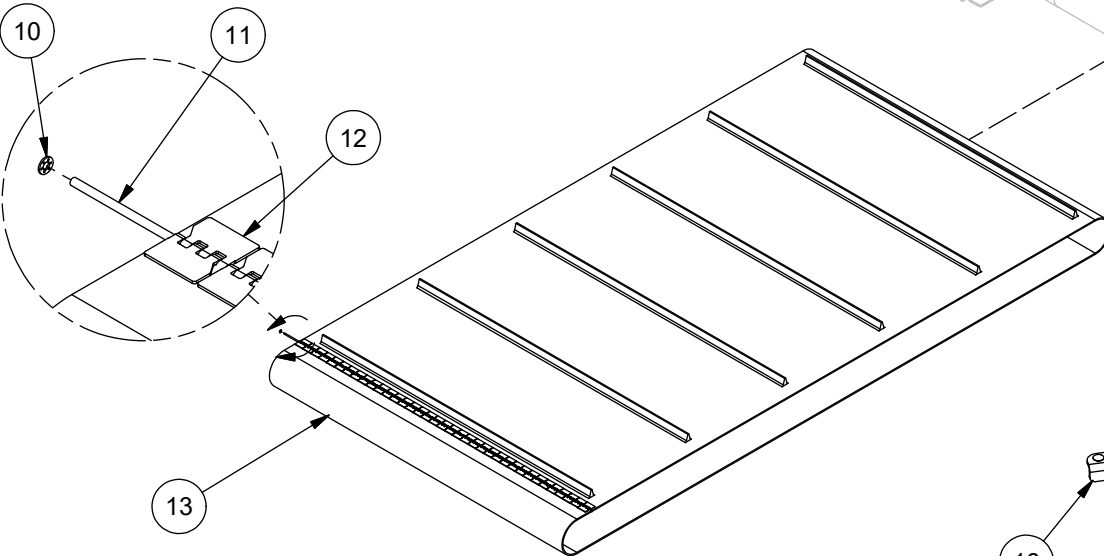
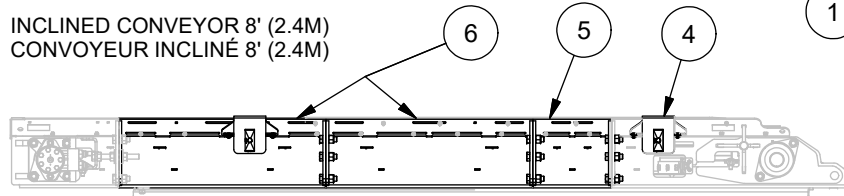
INCLINED CONVEYOR 6' (1.8M)  
CONVOYEUR INCLINÉ 6' (1.8M)



INCLINED CONVEYOR 7' (2.1M)  
CONVOYEUR INCLINÉ 7' (2.1M)



INCLINED CONVEYOR 8' (2.4M)  
CONVOYEUR INCLINÉ 8' (2.4M)



SEE PAGE 19A  
VOIR PAGE 19A

SEE PAGE 19B  
VOIR PAGE 19B

SEE PAGE 19A  
VOIR PAGE 19A



# 19D - LONG INCLINE BELT CONVOYOR/ CONVOYEUR INCLINÉ LONG À COURROIE



## CONVOYOR 6' (1.8M) / CONVOYEUR 6' (1.8M)

ITEM	QT	PART/PIECE	ENGLISH DESCRIPTION	DESCRIPTION FRANCAISE	NOTE
1	2	090-CON-029	CANVAS PLATE	PLAQUE POUR TOILE	
2	2	090-CON-330	RUBBER BELT PLATE	PLAQUE POUR COURROIE DE RUBBER	
3	2	090-CON-331	BELT PLATE	PLAQUE DE COURROIE	
4	2	090-CON-BW	HOSE SUPPORT	SUPPORT DE BOYAU	
5	1	090-CON-CO	INTER SHORT SECTION	INTER SECTION COURTE	
6	1	090-CON-CN	INTER LONG SECTION	INTER SECTION LONGUE	
7	1	250355	CANVAS 090-CON-173	TOILE GRISE 090-CON-173	
8	1	250354	CANVAS 090-CON-172	TOILE GRISE 090-CON-172	
9	2	322693	RUBBER BELT	COURROIE DE RUBBER	
10	1	325201	ALLIGATOR JOINT WASHER	RONDELLE DE JOINT ALLIGATOR	
11	4	320168	CONNECTING PIN	PIN DE CONNEXION	
12	1	250008	ALLIGATOR ATTACHE 36"	ATTACHE ALLIGATOR 36"	
13	1	430045	BELT 140.82" x 36.25"	COURROIE 140.82" x 36.25"	
14	33	500706	CBZ M6 X 1.0 X 20 CL8.8	CBZ M6 X 1.0 X 20 CL8.8	
15	38	506050	HEX NUT M6 X 1	ECROU NYLON M6 X 1	
16	1	090-CON-385	ANGLE SUPPORT	RENFORT À ANGLE	
17	1	090-CON-384	FLAT SUPPORT	RENFORT PLAT	
18	5	500705	CARRIAGE BOLT M10 X 1.50 X 30 CL4.6	BOULON CARROSSERIE M10 X 1.50 X 30 CL4.6	
19	5	502004	FLAT WASHER 3/8 Z	RONDELLE PLATE 3/8 Z	
20	5	506039	NYLON NUT M10 X 1.5	ECROU NYLON M10 X 1.5	

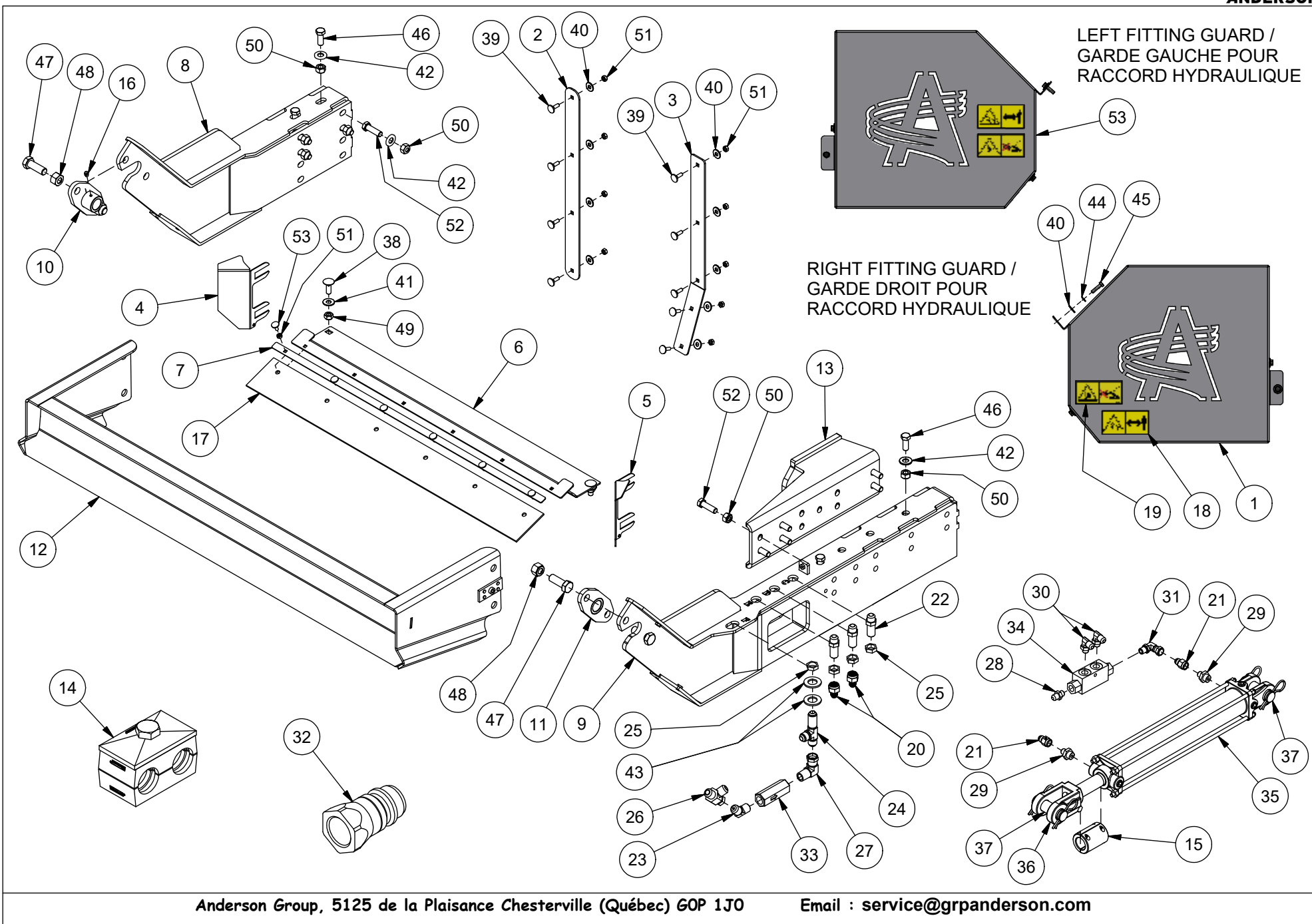
## CONVOYOR 7' (2.1M) / CONVOYEUR 7' (2.1M)

ITEM	QT	PART/PIECE	ENGLISH DESCRIPTION	DESCRIPTION FRANCAISE	NOTE
1	2	090-CON-029	CANVAS PLATE	PLAQUE POUR TOILE	
2	2	090-CON-339	RUBBER BELT PLATE	PLAQUE POUR COURROIE DE RUBBER	
3	2	090-CON-338	BELT PLATE	PLAQUE DE COURROIE	
4	2	090-CON-BW	HOSE SUPPORT	SUPPORT DE BOYAU	
6	2	090-CON-CN	INTER LONG SECTION	INTER SECTION LONGUE	
7	1	250355	CANVAS 090-CON-173	TOILE GRISE 090-CON-173	
8	1	250354	CANVAS 090-CON-172	TOILE GRISE 090-CON-172	
9	2	322694	RUBBER BELT	COURROIE DE RUBBER	
10	1	325201	ALLIGATOR JOINT WASHER	RONDELLE DE JOINT ALLIGATOR	
11	4	320168	CONNECTING PIN	PIN DE CONNEXION	
12	1	250008	ALLIGATOR ATTACHE 36"	ATTACHE ALLIGATOR 36"	
13	1	430046	BELT 173.94" x 36.25"	COURROIE 173.94" x 36.25"	
14	38	500706	CBZ M6 X 1.0 X 20 CL8.8	CBZ M6 X 1.0 X 20 CL8.8	
15	44	506050	HEX NUT M6 X 1	ECROU NYLON M6 X 1	
16	1	090-CON-387	ANGLE SUPPORT	RENFORT À ANGLE	
17	1	090-CON-386	FLAT SUPPORT	RENFORT PLAT	
18	5	500705	CARRIAGE BOLT M10 X 1.50 X 30 CL4.6	BOULON CARROSSERIE M10 X 1.50 X 30 CL4.6	
19	3	502004	FLAT WASHER 3/8 Z	RONDELLE PLATE 3/8 Z	
20	5	506039	NYLON NUT M10 X 1.5	ECROU NYLON M10 X 1.5	

## CONVOYOR 8' (2.4M) / CONVOYEUR 8' (2.4M)

ITEM	QT	PART/PIECE	ENGLISH DESCRIPTION	DESCRIPTION FRANCAISE	NOTE
1	2	090-CON-029	CANVAS PLATE	PLAQUE POUR TOILE	
2	2	090-CON-342	RUBBER BELT PLATE	PLAQUE POUR COURROIE DE RUBBER	
3	2	090-CON-343	BELT PLATE	PLAQUE DE COURROIE	
4	2	090-CON-BW	HOSE SUPPORT	SUPPORT DE BOYAU	
5	1	090-CON-CO	INTER SHORT SECTION	INTER SECTION COURTE	
6	2	090-CON-CN	INTER LONG SECTION	INTER SECTION LONGUE	
7	1	250355	CANVAS 090-CON-173	TOILE GRISE 090-CON-173	
8	1	250354	CANVAS 090-CON-172	TOILE GRISE 090-CON-172	
9	2	322695	RUBBER BELT	COURROIE DE RUBBER	
10	1	325201	ALLIGATOR JOINT WASHER	RONDELLE DE JOINT ALLIGATOR	
11	4	320168	CONNECTING PIN	PIN DE CONNEXION	
12	1	250008	ALLIGATOR ATTACHE 36"	ATTACHE ALLIGATOR 36"	
13	1	430047	BELT 192.63" x 36.25"	COURROIE 192.63" x 36.25"	
14	43	500706	CBZ M6 X 1.0 X 20 CL8.8	CBZ M6 X 1.0 X 20 CL8.8	
15	49	506050	HEX NUT M6 X 1	ECROU NYLON M6 X 1	
16	1	090-CON-389	ANGLE SUPPORT	RENFORT À ANGLE	
17	1	090-CON-388	FLAT SUPPORT	SUPPORT PLAT	
18	5	500705	CARRIAGE BOLT M10 X 1.50 X 30 CL4.6	BOULON CARROSSERIE M10 X 1.50 X 30 CL4.6	
19	3	502004	FLAT WASHER 3/8 Z	RONDELLE PLATE 3/8 Z	
20	5	506039	NYLON NUT M10 X 1.5	ECROU NYLON M10 X 1.5	

# 19E - MOUNTING KIT BELT CONVEYOR / KIT DE MONTAGE CONVOYEUR A COURROIE



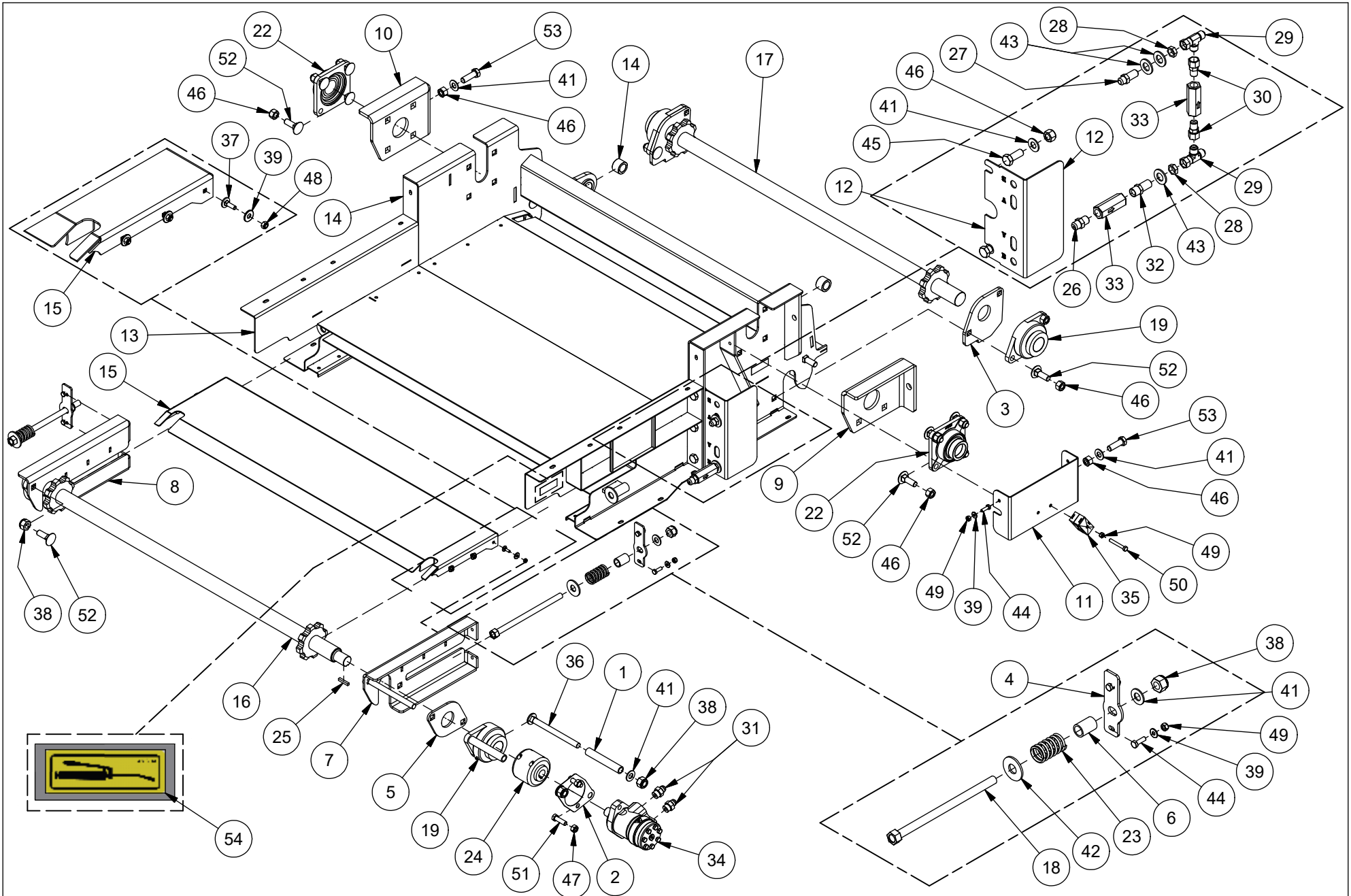
# 19E - MOUNTING KIT BELT CONVEYOR / KIT DE MONTAGE CONVOYEUR A COURROIE



ITEM	QT	PART/PIECE	ENGLISH DESCRIPTION	DESCRIPTION FRANCAISE	NOTE
1	1	090-CON-127	FITTING GUARD	GARDE DE RACCORD HYDRAULIQUE	
2	1	090-CON-152	SUPPORT FOR CANVAS PLATE	RENFORT POUR PLAQUE	
3	1	090-CON-153	CANVAS PLATE	PLAQUE POUR TOILE	
4	1	090-CON-273	RETENTION PANEL	PANNEAU DE RETENTION	
5	1	090-CON-274	RETENTION PANEL	PANNEAU DE RETENTION	
6	1	090-CON-276	JUNCTION PLATE	PLAQUE DE JONCTION	
7	1	090-CON-277	BELT SUPPORT	SUPPORT DE COURROIE	
8	1	090-CON-BQ	SWIVEL ARM	BRAS POUR PIVOT	
9	1	090-CON-BR	SWIVEL ARM	BRAS POUR PIVOT	
10	1	090-CON-CY	MONTED SLEEVE	COUSSINET DE MONTAGE	
11	1	090-CON-CZ	MONTED SLEEVE	COUSSINET DE MONTAGE	
12	1	090-CON-DG	REINFORCEMENT MOUNTING KIT	RENFORT KIT DE MONTAGE	
13	1	090-CON-EB	CYLINDER SUPPORT	SUPPORT DE CYLINDRE	
14	1	320009-3	PIPE CLAMP	SUPPORT BOYAU	
15	1	322059	SHAFT COUPLING 1 1/8" ALUMINIUM	ACCOUPEMENT A ARBRE 1 1/8" ALUMINIUM	
16	2	322299	GREASE FITTING	GRAISSEUR	
17	1	322692	RETENTION BELT	COURROIE DE RETENTION	
18	1	404077	WARNING LOADING ARM STICKER	DECALQUE ATTENTION BRAS CHARGEMENT	
19	1	404164	CAUTION RISK OF CRUSHING STICKER	DECALQUE ATTENTION RISQUE ECRASEMENT	
20	2	450456	8 F.JIC - 6 M.JIC	8 F.JIC - 6 M.JIC	
21	2	450574	5100-06-06 HOLE 1/32	5100-06-06 ORIFICE 1/32	
22	3	450659	6 M.JIC - 6 M.JIC LONG	6 M.JIC - 6 M.JIC LONG	
23	1	450673	8 M.JIC - 8 M.NPT 45°	8 M.JIC - 8 M.NPT 45°	
24	1	450867	8 M.JIC - 8 M.JIC	8 M.JIC - 8 M.JIC	
25	4	450899	BH NUT 8	BH NUT 8	
26	1	450973	HYDRAULIC FITTING	ADAPTEUR HYDRAULIQUE	
27	1	451026	8 F.JIC - 8 M.NPT 90°	8 F.JIC - 8 M.NPT 90°	
28	1	451171	6 M.JIC- 6M.ORB	6 M.JIC- 6M.ORB	
29	2	451172	6 M JIC - 8 M ORB	6 M JIC - 8 M ORB	
30	2	451260	6 M.JIC - 6 M.ORB 90°	6 M.JIC - 6 M.ORB 90°	
31	1	451409	6 M.ORB - 6 F.JIC 90°	6 M.ORB - 6 F.JIC 90°	
32	2	452000	1/2 QUICK COUPLER NPTM	RACCORD RAPIDE 1/2 NPTM	
33	1	465879	CHECK VALVE	VALVE ANTI-RETOUR	
34	1	466989	HYDRAULIC VALVE	VALVE HYDRAULIQUE	
35	1	467206	CYLINDER HTR 2012	CYLINDRE HTR 2012	SEAL KIT 467860
36	1	467521	CLEVIS FOR CYLINDER	CLEVIS POUR VÉRIN	
37	1	320145	CYLINDER PIN 1"	GOUPILLE DE CYLINDRE 1"	
38	2	500705	CARRIAGE BOLT M10 X 1.50 X 30 CL4.6	BOULON CARROSSERIE M10 X 1.50 X 30 CL4.6	
39	9	500706	CBZ M6 X 1.0 X 20 CL8.8	CBZ M6 X 1.0 X 20 CL8.8	
40	13	502002	FLAT WASHER 1/4 Z	RONDELLE PLATE 1/4 Z	
41	2	502004	FLAT WASHER 3/8 Z	RONDELLE PLATE 3/8 Z	
42	8	502006	FLAT WASHER 1/2 Z-SAE	RONDELLE PLATE 1/2 Z-SAE	
43	2	502017	FLAT WASHER SAE 3-4 ZINC	RONDELLE PLATE SAE 3-4 ZINC	
44	4	502064	LOCK WASHER 1/4	RONDELLE DE BLOCAGE 1/4	
45	4	506003	HEX. BOLT M6 X 1 X 25mm CL8.8	BOULON HEX. M6 X 1 X 25mm CL8.8	
46	4	506008-2	HEX. BOLT M12 X 1.75 X 30mm CL8.8	BOULON HEX. M12 X 1.75 X 30mm CL8.8	
47	4	506020	HEX. BOLT M16 X 2 X 45mm CL8.8	BOULON HEX. M16 X 2 X 45mm CL8.8	
48	4	506037	NYLON NUT M16 X 2	ECROU NYLON M16 X 2	
49	2	506039	NYLON NUT M10 X 1.5	ECROU NYLON M10 X 1.5	
50	14	506040	NYLON NUT M12 X 1.75	ECROU NYLON M12 X 1.75	
51	15	506050	HEX NUT M6 X 1	ECROU NYLON M6 X 1	
52	10	506129	HEX. BOLT M12 X 1.75 X 40mm CL8.8	BOULON HEX. M12 X 1.75 X 40mm CL8.8	
53	6	506157	CARRIAGE BOLT M6 X 1.0 X 16 CL8.8	BOULON CARROSSERIE M6 X 1.0 X 16 CL8.8	
53	1	090-CON-313	FITTING GUARD	GARDE DE RACCORD HYDRAULIQUE	

# 20A - COMMUN FD CHAIN CONVEYOR / CONVOYEUR A CHAINE FD COMMUN

STANDARD REPRESENTATION (LEFT MONTING IS POSSIBLE) / REPRÉSENTATION STANDARD (MONTAGE GAUCHE POSSIBLE)



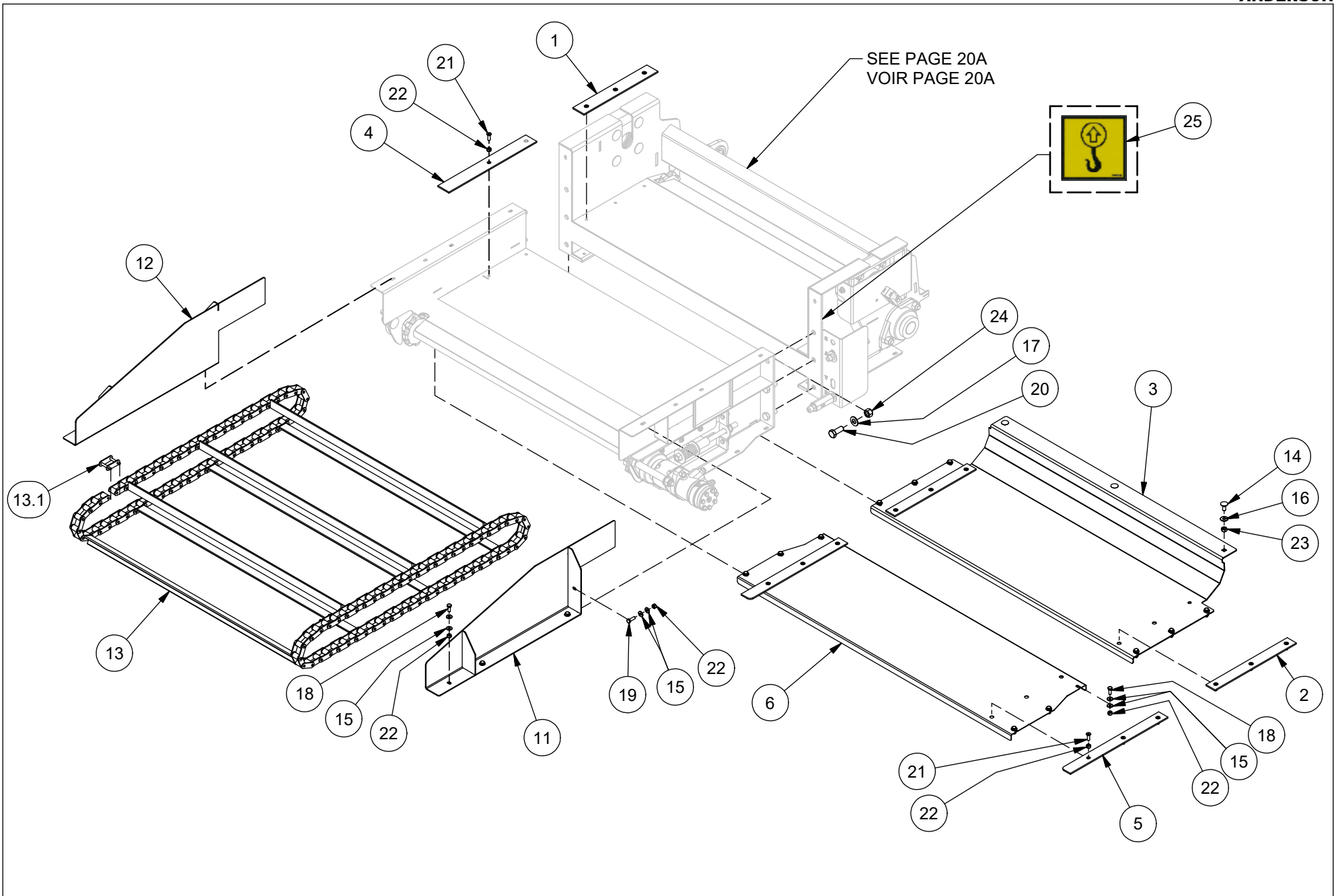
# 20A - COMMUN FD CHAIN CONVEYOR / CONVOYEUR A CHAINE FD COMMUN

STANDARD REPRESENTATION (LEFT MONTING IS POSSIBLE) / REPRÉSENTATION STANDARD (MONTAGE GAUCHE POSSIBLE)



ITEM	QT	PART/PIECE	ENGLISH DESCRIPTION	DESCRIPTION FRANCAISE	NOTE
1	2	090-CON-180	HYDRAULIC MOTOR LONG SPACER	ESPACEUR LONG DE MOTEUR HYDRAULIQUE	
2	1	090-CON-393	HYDRAULIC MOTOR SUPPORT	SUPPORT DE MOTEUR HYDRAULIQUE	
3	2	097-CON-074	CHAIN CONVEYOR FOOT BEARING SPACER	ESPACEUR DE ROULEMENT PIED DE CONVOYEUR À CHAÎNE	
4	2	097-CON-111	RETAINING PLATE FOR ADJUSTMENT SCREWS	PAQUE DE RETENUE POUR VIS D'AJUSTEMENT	
5	2	097-CON-114	CHAIN CONVEYOR HEAD BEARING SPACER	ESPACEUR DE ROULEMENT TÊTE DE CONVOYEUR À CHAÎNE	
6	2	097-CON-150	ADJUSTMENT SCREW STOP	BUTÉ DE VIS D'AJUSTEMENT	
7	1	097-CON-158	LEFT AUTOMATIC TENSIONER CHAIN CONVEYOR	TENDEUR AUTOMATIQUE GAUCHE CONVOYEUR À CHAÎNE	
8	1	097-CON-158M	RIGHT AUTOMATIC TENSIONER CHAIN CONVEYOR	TENDEUR AUTOMATIQUE DROIT CONVOYEUR À CHAÎNE	
9	1	097-CON-347	LEFT PIVOT SUPPORT CHAIN CONVEYOR FD	SUPPORT PIVOT GAUCHE CONVOYEUR À CHAÎNE FD	
10	1	097-CON-347M	RIGHT PIVOT SUPPORT CHAIN CONVEYOR FD	SUPPORT PIVOT DROIT CONVOYEUR À CHAÎNE FD	
11	1	097-CON-351	HOSE GUARD CHAIN CONVEYOR FD	PROTECTEUR DE TUYAUX CONVOYEUR À CHAÎNE FD	
12	1	097-CON-375	FITTING SUPPORT CHAIN CONVEYOR FD	SUPPORT DE RACCORD CONVOYEUR À CHAÎNE FD	
13	1	097-CON-BO	CONVEYOR HEAD FRAME	CADRE DE CONVOYEUR DE TÊTE	
14	1	097-CON-BT	CONVEYOR FOOT FRAME FD	CADRE PIED DE CONVOYEUR FD	
15	1	097-CON-BV	TOP AUTOMATIC TENSIONER CHAIN CONVEYOR	TENDEUR AUTOMATIQUE DESSUS CONVOYEUR À CHAÎNE	
16	1	097-CON-CA	SPROCKET SHAFT FOR INCLINED CONVEYOR HEAD	ARBRE À PIGNON POUR TÊTE DE CONVOYEUR INCLINÉ	
17	1	097-CON-DC	SPROCKET SHAFT FOR INCLINED CONVEYOR FOOT	ARBRE À PIGNON POUR PIED DE CONVOYEUR INCLINÉ	
18	2	097-CON-DR	SCREW AUTOMATIC TENSIONER CHAIN CONVEYOR	TENDEUR AUTOMATIQUE VIS CONVOYEUR À CHAÎNE	
19	4	303048	BEARING HCFT209-28	ROULEMENT HCFT209-28	
22	2	303161	FLANGE BEARING 1 3/4	ROULEMENT A PALIER 1 3/4	
23	2	304085	COMPRESSION SPRING 1.46 X 1.086 X 2.50	RESSORT COMPRESSION 1.46 X 1.086 X 2.50	
24	1	322062	CHAIN COUPLING	ACCOUPLLEMENT À CHAÎNE	
25	1	325141-1	KEY 1/4 X 1/4 X 1 1/2	CLE 1/4 X 1/4 X 1 1/2	
26	1	450548	8 M JIC - 8 M NPT	8 M JIC - 8 M NPT	
27	1	450659	6 M.JIC - 6 M.JIC LONG	6 M.JIC - 6 M.JIC LONG	
28	2	450899	BH NUT 8	BH NUT 8	
29	2	450973	T 8 F.JIC - 8 M.JIC	T 8 F.JIC - 8 M.JIC	
30	2	450996	8 F.JIC - 8 M.NPT	8 F.JIC - 8 M.NPT	
31	2	451179	8 M JIC - 10 M ORB	8 M JIC - 10 M ORB	
32	1	451457	8 M.JIC - 8 M.NPT	8 M.JIC - 8 M.NPT	
33	2	465879	CHECK VALVE	VALVE ANTI-RETOUR	
34	1	469173	HYD. MOTOR MLHP100CN4UPE+KPDR145/AP/3	MOTEUR HYD. MLHP100CN4UPE+KPDR145/AP/3	
35	1	470051	DOUBLE HOSE HOLDER 21.3mm (0.84")	SUPPORT BOYAU DOUBLE 21.3mm (0.84")	
36	2	500556	CARRIAGE BOLT	BOULON DE CARROSSERIE	
37	6	500706	CBZ M6 X 1.0 X 20 CL8.8	CBZ M6 X 1.0 X 20 CL8.8	
38	6	501035	HEX NYLON LOCKNUT GR5 5/8-11 Z	ÉCROU NYLON IND HEX GR5 5/8-11 Z	
39	11	502002	FLAT WASHER 1/4 Z	RONDELLE PLATE 1/4 Z	
41	7	502008-1	FLAT WASHER 5/8 Z-SAE	RONDELLE PLATE 5/8 Z-SAE	
42	2	502009	FLAT WASHER 3/4 Z	RONDELLE PLATE 3/4 Z	
43	3	502017	FLAT WASHER SAE 3-4 ZINC	RONDELLE PLATE SAE 3-4 ZINC	
44	5	506001	HEX. BOLT M8 X 1.25 X 25mm CL8.8	BOULON HEX. M8 X 1.25 X 25mm CL8.8	
45	2	506012	HEX. BOLT M16 X 2 X 40mm CL8.8	BOULON HEX. M16 X 2 X 40mm CL8.8	
46	16	506037	NYLON NUT M16 X 2	ECROU NYLON M16 X 2	
47	2	506040	NYLON NUT M12 X 1.75	ECROU NYLON M12 X 1.75	
48	6	506050	HEX NUT M6 X 1	ECROU NYLON M6 X 1	
49	6	506051	NYLON NUT M8 X 1.25	ECROU NYLON M8 X 1.25	
50	1	506088	HEX. BOLT M8 X 1.25 X 60mm CL8.8	BOULON HEX. M8 X 1.25 X 60mm CL8.8	
51	2	506129	HEX. BOLT M12 X 1.75 X 40mm CL8.8	BOULON HEX. M12 X 1.75 X 40mm CL8.8	
52	12	506154	CARRIAGE BOLT M16 X 2 X 50 CL8.8	CBZ M16 - 2.00 X 50MM CL8.8	
53	2	506076	HEX. BOLT M16 X 2 X 50mm CL8.8	BOULON HEX. M16 X 2 X 50mm CL8.8	
54	4	404002	LUBRICATION STICKER	DECALQUE GRAISSAGE	

# 20B - INCLINED FD CHAIN CONVEYOR (0.9M) / CONVOYEUR À CHAÎNE INCLINÉ FD (0.9M)



# 20B - INCLINED FD CHAIN CONVEYOR (0.9M) / CONVOYEUR À CHAÎNE INCLINÉ FD (0.9M)

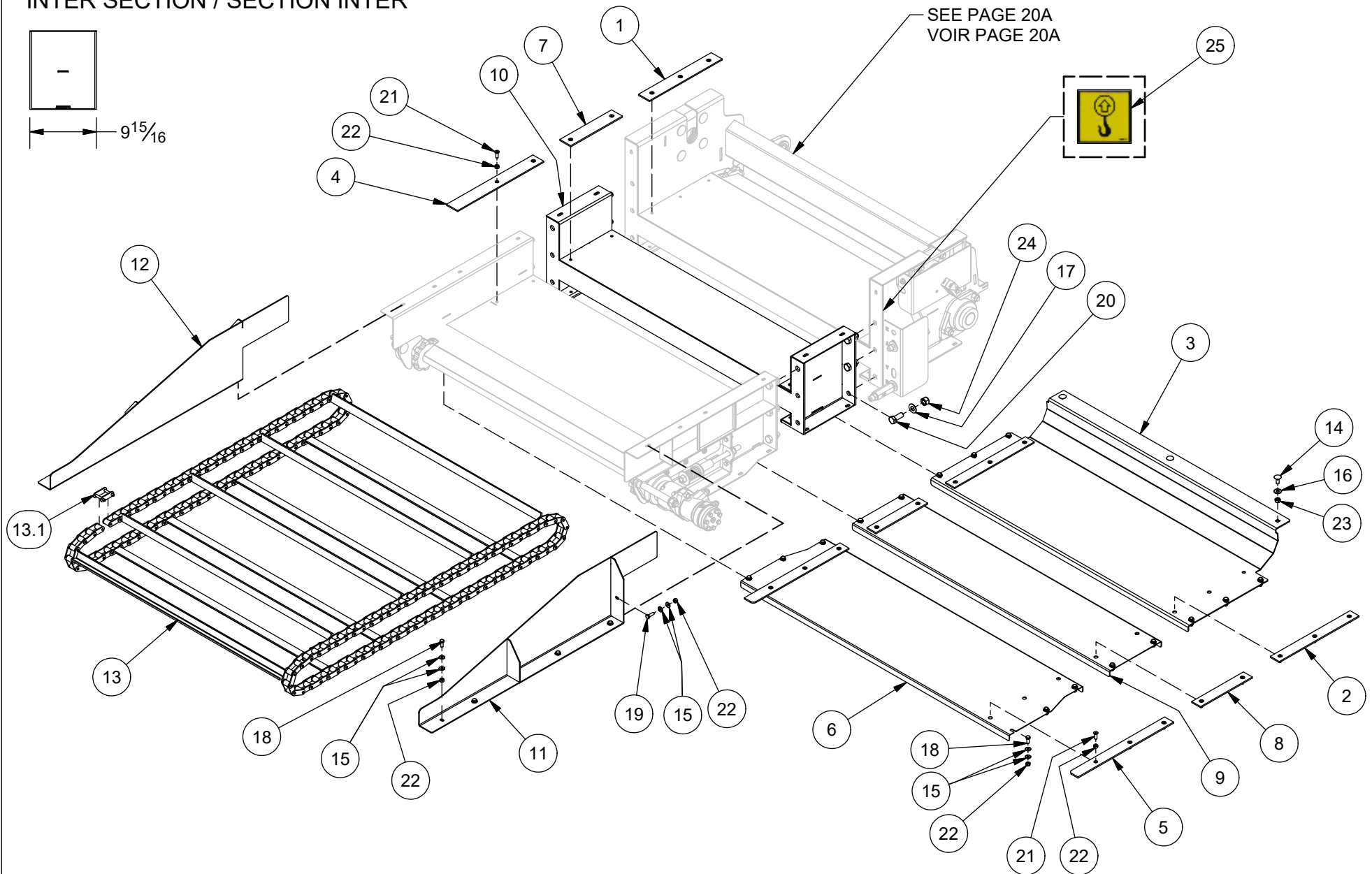


ITEM	QT	PART/PIECE	ENGLISH DESCRIPTION	DESCRIPTION FRANCAISE	NOTE
1	2	097-CON-130	BLACK UHMW ABOVE CHAIN CONVEYOR FOOT	UHMW NOIR DESSUS LE PIED DU CONVOYEUR À CHAÎNE	3/16" X 2 1/8" X 13 3/4"
2	2	097-CON-120	BLACK UHMW UNDER CHAIN CONVEYOR FOOT	UHMW NOIR SOUS LE PIED DU CONVOYEUR À CHAÎNE	3/16" X 1 3/4" X 15 1/8"
3	1	097-CON-168	GUARD UNDER CHAIN CONVEYOR FOOT	GARDE SOUS LE PIED DU CONVOYEUR À CHAÎNE	
4	2	097-CON-349	BLACK UHMW ABOVE CHAIN CONVEYOR HEAD	UHMW NOIR DESSUS LA TÊTE DU CONVOYEUR À CHAÎNE	3/16" X 2 1/8" X 16 3/8"
5	2	097-CON-123	BLACK UHMW UNDER CHAIN CONVEYOR HEAD	UHMW NOIR SOUS LA TÊTE DU CONVOYEUR À CHAÎNE	3/16" X 1 3/4" X 18 1/8"
6	1	097-CON-172	GUARD UNDER CHAIN CONVEYOR HEAD	GARDE SOUS LE TÊTE DU CONVOYEUR À CHAÎNE	
11	1	097-CON-GB	LEFT CONVEYOR CAPACITY EXTENSION 0.9M	REHAUSSE DE CONVOYEUR GAUCHE 0.9M	
12	1	097-CON-GC	RIGHT CONVEYOR CAPACITY EXTENSION 0.9M	REHAUSSE DE CONVOYEUR DROIT 0.9M	
13	1	302589	CONV. CHAIN 54 LINK CA620 F.ANGLE	CHAÎNE CONV. 54 MAILLE CA620 F.ANGLE	
13.1	2	302583	CA620 CONNECTING LINK	MAILLE PATENTE CA620 CONNECT LINK	
14	3	500700	CARRIAGE BOLT M10 X 1.50 X 25 CL4.6	BOULON CARROSSERIE M10 X 1.50 X 25 CL4.6	
15	53	502002	FLAT WASHER 1/4 Z	RONDELLE PLATE 1/4 Z	
16	3	502004	FLAT WASHER 3/8 Z	RONDELLE PLATE 3/8 Z	
17	9	502008-1	FLAT WASHER 5/8 Z-SAE	RONDELLE PLATE 5/8 Z-SAE	
18	12	506000	HEX. BOLT M8 X 1.25 X 20mm CL8.8	BOULON HEX. M8 X 1.25 X 20mm CL8.8	
19	14	506001	HEX. BOLT M8 X 1.25 X 25mm CL8.8	BOULON HEX. M8 X 1.25 X 25mm CL8.8	
20	6	506012	HEX. BOLT M16 X 2 X 40mm CL8.8	BOULON HEX. M16 X 2 X 40mm CL8.8	
21	22	507052-1	HEX FLAT SOCKET HEAD BOLT M8 X 1,25 - 25	BOULON TÊTE CREUSE PLATE HEX M8 X 1,25 - 25	
22	49	506051	NYLON NUT M8 X 1.25	ECROU NYLON M8 X 1.25	
23	3	506039	NYLON NUT M10 X 1.5	ECROU NYLON M10 X 1.5	
24	20	506037	NYLON NUT M16 X 2	ECROU NYLON M16 X 2	
25	2	404063	HANG HERE STICKER	DÉCALQUE ACCROCHEZ ICI	

# 20C - INCLINED FD CHAIN CONVEYOR (1.2M) / CONVOYEUR À CHAÎNE INCLINÉ FD (1.2M)



## INTER SECTION / SECTION INTER





# 20C - INCLINED FD CHAIN CONVEYOR (1.2M) / CONVOYEUR À CHAÎNE INCLINÉ FD (1.2M)

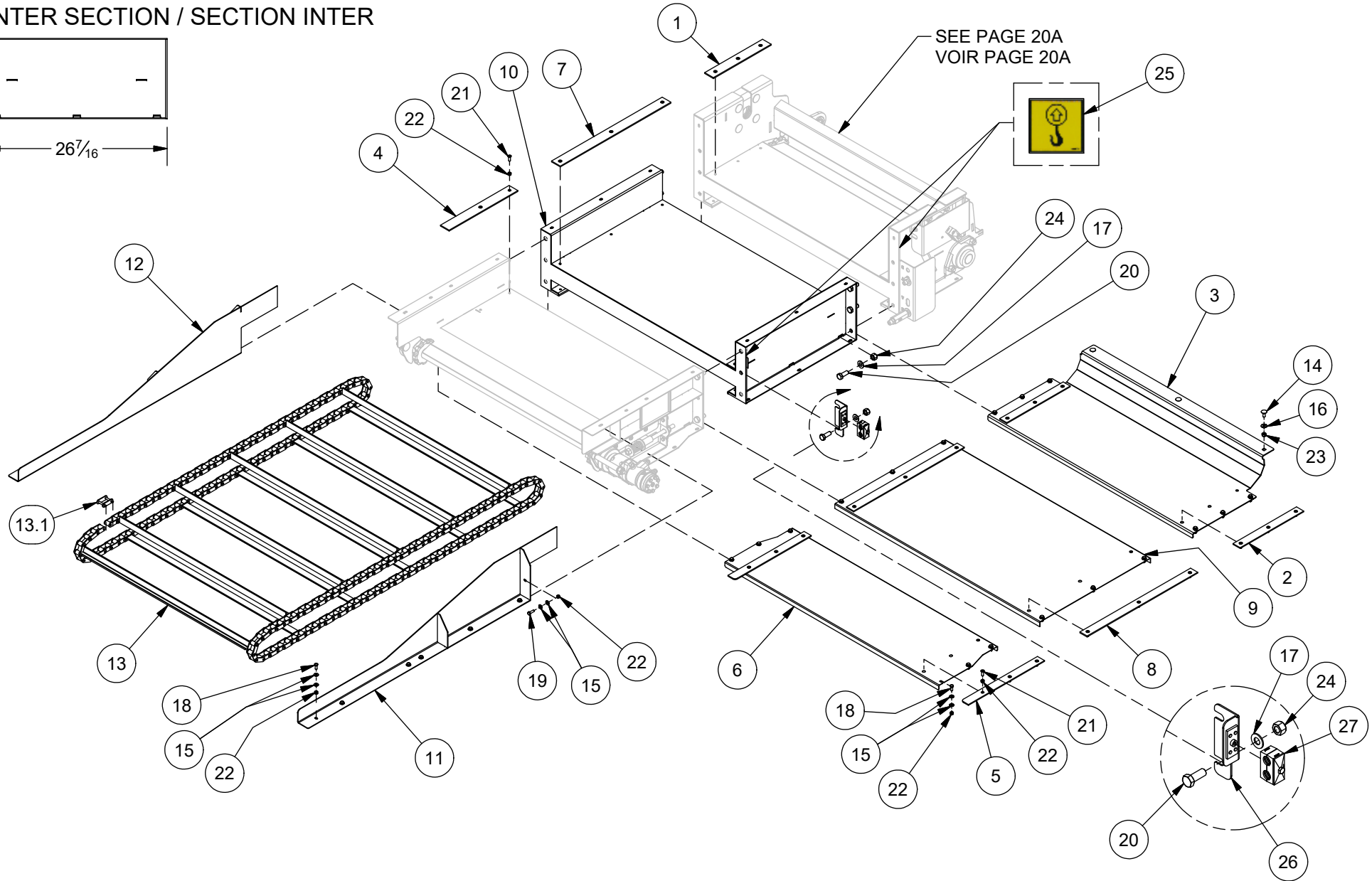
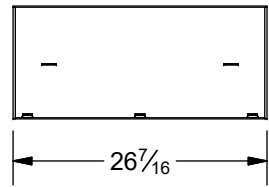


ITEM	QT	PART/PIECE	ENGLISH DESCRIPTION	DESCRIPTION FRANCAISE	NOTE
1	2	097-CON-130	BLACK UHMW ABOVE CHAIN CONVEYOR FOOT	UHMW NOIR DESSUS LE PIED DU CONVOYEUR À CHAÎNE	3/16" X 2 1/8" X 13 3/4"
2	2	097-CON-120	BLACK UHMW UNDER CHAIN CONVEYOR FOOT	UHMW NOIR SOUS LE PIED DU CONVOYEUR À CHAÎNE	3/16" X 1 3/4" X 15 1/8"
3	1	097-CON-168	GUARD UNDER CHAIN CONVEYOR FOOT	GARDE SOUS LE PIED DU CONVOYEUR À CHAÎNE	
4	2	097-CON-349	BLACK UHMW ABOVE CHAIN CONVEYOR HEAD	UHMW NOIR DESSUS LA TÊTE DU CONVOYEUR À CHAÎNE	3/16" X 2 1/8" X 16 3/8"
5	2	097-CON-123	BLACK UHMW UNDER CHAIN CONVEYOR HEAD	UHMW NOIR SOUS LA TÊTE DU CONVOYEUR À CHAÎNE	3/16" X 1 3/4" X 18 1/8"
6	1	097-CON-172	GUARD UNDER CHAIN CONVEYOR HEAD	GARDE SOUS LE TÊTE DU CONVOYEUR À CHAÎNE	
7	2	097-CON-265	BLACK UHMW ABOVE CHAIN CONVEYOR INTER 1.2M	UHMW NOIR DESSUS DU CONVOYEUR À CHAÎNE INTER 1.2M	3/16" X 2 1/8" X 9 3/4"
8	2	097-CON-266	BLACK UHMW UNDER CHAIN CONVEYOR INTER 1.2M	UHMW NOIR SOUS LE CONVOYEUR À CHAÎNE INTER 1.2M	3/16" X 1 3/4" X 9 3/4"
9	1	097-CON-267	GUARD UNDER CHAIN CONVEYOR INTER 1.2M	GARDE SOUS LE CONVOYEUR À CHAÎNE INTER 1.2M	
10	1	097-CON-CJ	INTER 1.2M CONVEYOR FRAME	CADRE DE CONVOYEUR INTER 1.2M	
11	1	097-CON-FV	LEFT CONVEYOR CAPACITY EXTENSION 1.2M	REHAUSSE DE CONVOYEUR GAUCHE 1.2M	
12	1	097-CON-FW	RIGHT CONVEYOR CAPACITY EXTENSION 1.2M	REHAUSSE DE CONVOYEUR DROIT 1.2M	
13	1	302588	CONV. CHAIN 66 LINK CA620 F.ANGLE	CHAIN CONV. 66 MAILLE CA620 F.ANGLE	
13.1	2	302583	CA620 CONNECTING LINK	MAILLE PATENTE CA620 CONNECT LINK	
14	3	500700	CARRIAGE BOLT M10 X 1.50 X 25 CL4.6	BOULON CAROSSERIE M10 X 1.50 X 25 CL4.6	
15	63	502002	FLAT WASHER 1/4 Z	RONDELLE PLATE 1/4 Z	
16	3	502004	FLAT WASHER 3/8 Z	RONDELLE PLATE 3/8 Z	
17	11	502008-1	FLAT WASHER 5/8 Z-SAE	RONDELLE PLATE 5/8 Z-SAE	
18	18	506000	HEX. BOLT M8 X 1.25 X 20mm CL8.8	BOULON HEX. M8 X 1.25 X 20mm CL8.8	
19	13	506001	HEX. BOLT M8 X 1.25 X 25mm CL8.8	BOULON HEX. M8 X 1.25 X 25mm CL8.8	
20	12	506012	HEX. BOLT M16 X 2 X 40mm CL8.8	BOULON HEX. M16 X 2 X 40mm CL8.8	
21	30	507052-1	HEX FLAT SOCKET HEAD BOLT M8 X 1,25 - 25	BOULON TÊTE CREUSE PLATE HEX M8 X 1,25 - 25	
22	62	506051	NYLON NUT M8 X 1.25	ECROU NYLON M8 X 1.25	
23	3	506039	NYLON NUT M10 X 1.5	ECROU NYLON M10 X 1.5	
24	26	506037	NYLON NUT M16 X 2	ECROU NYLON M16 X 2	
25	2	404063	HANG HERE STICKER	DÉCALQUE ACCROCHEZ ICI	

# 20D - INCLINED FD CHAIN CONVEYOR (1.5M) / CONVOYEUR À CHAÎNE INCLINÉ FD (1.5M)



## INTER SECTION / SECTION INTER



# 20D - INCLINED FD CHAIN CONVEYOR (1.5M) / CONVOYEUR À CHAÎNE INCLINÉ FD (1.5M)

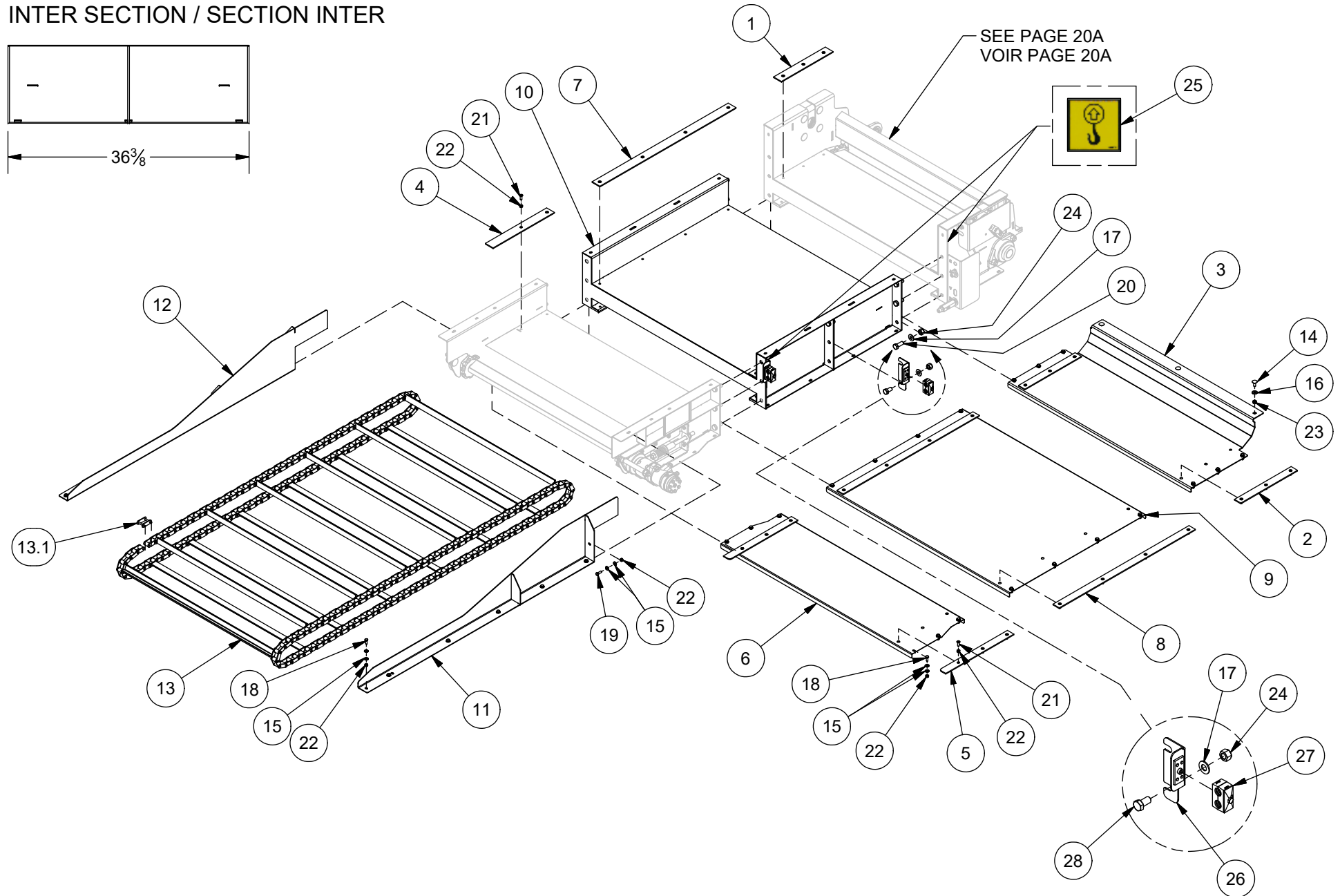
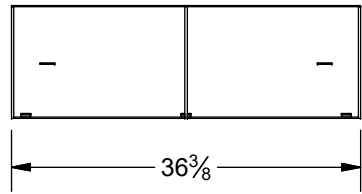


ITEM	QT	PART/PIECE	ENGLISH DESCRIPTION	DESCRIPTION FRANCAISE	NOTE
1	2	097-CON-130	BLACK UHMW ABOVE CHAIN CONVEYOR FOOT	UHMW NOIR DESSUS LE PIED DU CONVOYEUR À CHAÎNE	3/16" X 2 1/8" X 13 3/4"
2	2	097-CON-120	BLACK UHMW UNDER CHAIN CONVEYOR FOOT	UHMW NOIR SOUS LE PIED DU CONVOYEUR À CHAÎNE	3/16" X 1 3/4" X 15 1/8"
3	1	097-CON-168	GUARD UNDER CHAIN CONVEYOR FOOT	GARDE SOUS LE PIED DU CONVOYEUR À CHAÎNE	
4	2	097-CON-349	BLACK UHMW ABOVE CHAIN CONVEYOR HEAD	UHMW NOIR DESSUS LA TÊTE DU CONVOYEUR À CHAÎNE	3/16" X 2 1/8" X 16 3/8"
5	2	097-CON-123	BLACK UHMW UNDER CHAIN CONVEYOR HEAD	UHMW NOIR SOUS LA TÊTE DU CONVOYEUR À CHAÎNE	3/16" X 1 3/4" X 18 1/8"
6	1	097-CON-172	GUARD UNDER CHAIN CONVEYOR HEAD	GARDE SOUS LE TÊTE DU CONVOYEUR À CHAÎNE	
7	2	097-CON-250	BLACK UHMW ABOVE CHAIN CONVEYOR INTER 1.5M	UHMW NOIR DESSUS DU CONVOYEUR À CHAÎNE INTER 1.5M	3/16" X 2 1/8" X 26 1/4"
8	2	097-CON-251	BLACK UHMW UNDER CHAIN CONVEYOR INTER 1.5M	UHMW NOIR SOUS LE CONVOYEUR À CHAÎNE INTER 1.5M	3/16" X 1 3/4" X 26 1/4"
9	1	097-CON-252	GUARD UNDER CHAIN CONVEYOR INTER 1.5M	GARDE SOUS LE CONVOYEUR À CHAÎNE INTER 1.5M	
10	1	097-CON-CH	INTER 1.5M CONVEYOR FRAME	CADRE DE CONVOYEUR INTER 1.5M	
11	1	097-CON-FM	LEFT CONVEYOR CAPACITY EXTENSION	REHAUSSE DE CONVOYEUR GAUCHE	
12	1	097-CON-FN	LEFT CONVEYOR CAPACITY EXTENSION	REHAUSSE DE CONVOYEUR DROIT	
13	1	302587	CONV. CHAIN 86 LINK CA620 F.ANGLE	CHAÎNE CONV. 86 MAILLE CA620 F.ANGLE	
13.1	2	302583	CA620 CONNECTING LINK	MAILLE PATENTE CA620 CONNECT LINK	
14	3	500700	CARRIAGE BOLT M10 X 1.50 X 25 CL4.6	BOULON CAROSSERIE M10 X 1.50 X 25 CL4.6	
15	75	502002	FLAT WASHER 1/4 Z	RONDELLE PLATE 1/4 Z	
16	3	502004	FLAT WASHER 3/8 Z	RONDELLE PLATE 3/8 Z	
17	11	502008-1	FLAT WASHER 5/8 Z-SAE	RONDELLE PLATE 5/8 Z-SAE	
18	24	506000	HEX. BOLT M8 X 1.25 X 20mm CL8.8	BOULON HEX. M8 X 1.25 X 20mm CL8.8	
19	13	506001	HEX. BOLT M8 X 1.25 X 25mm CL8.8	BOULON HEX. M8 X 1.25 X 25mm CL8.8	
20	12	506012	HEX. BOLT M16 X 2 X 40mm CL8.8	BOULON HEX. M16 X 2 X 40mm CL8.8	
21	34	507052-1	HEX FLAT SOCKET HEAD BOLT M8 X 1,25 - 25	BOULON TÊTE CREUSE PLATE HEX M8 X 1,25 - 25	
22	72	506051	NYLON NUT M8 X 1.25	ECROU NYLON M8 X 1.25	
23	3	506039	NYLON NUT M10 X 1.5	ECROU NYLON M10 X 1.5	
24	26	506037	NYLON NUT M16 X 2	ECROU NYLON M16 X 2	
25	4	404063	HANG HERE STICKER	DÉCALQUE ACCROCHEZ ICI	
26	1	097-CON-DW	HOSE HOLDER BRACKET	SUPPORT DE BOYAU	
27	2	470051	DOUBLE HOSE HOLDER 21.3mm (0.84")	SUPPORT BOYAU DOUBLE 21.3mm (0.84")	

# 20E - INCLINED FD CHAIN CONVEYOR (1.8M) / CONVOYEUR À CHAÎNE INCLINÉ FD (1.8M)



## INTER SECTION / SECTION INTER



# 20E - INCLINED FD CHAIN CONVEYOR (1.8M) / CONVOYEUR À CHAÎNE INCLINÉ FD (1.8M)

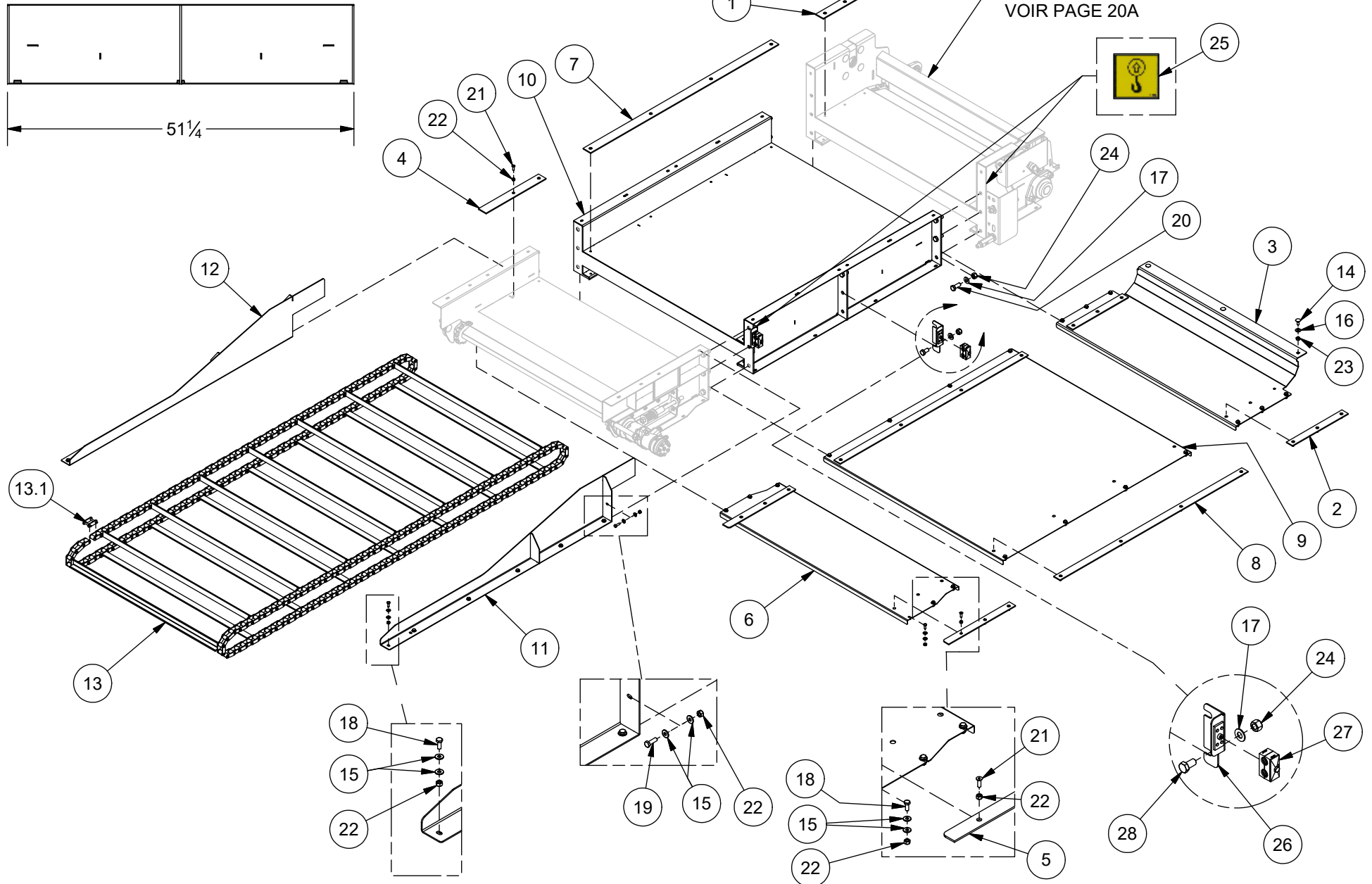


ITEM	QT	PART/PIECE	ENGLISH DESCRIPTION	DESCRIPTION FRANCAISE	NOTE
1	2	097-CON-130	BLACK UHMW ABOVE CHAIN CONVEYOR FOOT	UHMW NOIR DESSUS LE PIED DU CONVOYEUR À CHAÎNE	3/16" X 2 1/8" X 13 3/4"
2	2	097-CON-120	BLACK UHMW UNDER CHAIN CONVEYOR FOOT	UHMW NOIR SOUS LE PIED DU CONVOYEUR À CHAÎNE	3/16" X 1 3/4" X 15 1/8"
3	1	097-CON-168	GUARD UNDER CHAIN CONVEYOR FOOT	GARDE SOUS LE PIED DU CONVOYEUR À CHAÎNE	
4	2	097-CON-349	BLACK UHMW ABOVE CHAIN CONVEYOR HEAD	UHMW NOIR DESSUS LA TÊTE DU CONVOYEUR À CHAÎNE	3/16" X 2 1/8" X 16 3/8"
5	2	097-CON-123	BLACK UHMW UNDER CHAIN CONVEYOR HEAD	UHMW NOIR SOUS LA TÊTE DU CONVOYEUR À CHAÎNE	3/16" X 1 3/4" X 18 1/8"
6	1	097-CON-172	GUARD UNDER CHAIN CONVEYOR HEAD	GARDE SOUS LE TÊTE DU CONVOYEUR À CHAÎNE	
7	2	097-CON-235	BLACK UHMW ABOVE CHAIN CONVEYOR INTER 1.8M	UHMW NOIR DESSUS DU CONVOYEUR À CHAÎNE INTER 1.8M	3/16" X 2 1/8" X 36 1/4"
8	2	097-CON-236	BLACK UHMW UNDER CHAIN CONVEYOR INTER 1.8M	UHMW NOIR SOUS LE CONVOYEUR À CHAÎNE INTER 1.8M	3/16" X 1 3/4" X 36 1/4"
9	1	097-CON-237	GUARD UNDER CHAIN CONVEYOR INTER 1.8M	GARDE SOUS LE CONVOYEUR À CHAÎNE INTER 1.8M	
10	1	097-CON-CF	INTER 1.8M CONVEYOR FRAME	CADRE DE CONVOYEUR INTER 1.8M	
11	1	097-CON-DZ	LEFT CONVEYOR CAPACITY EXTENSION 1.8M TO 2.4M	REHAUSSE DE CONVOYEUR GAUCHE 1.8M À 2.4M	
12	1	097-CON-EA	RIGHT CONVEYOR CAPACITY EXTENSION 1.8M TO 2.4M	REHAUSSE DE CONVOYEUR DROIT 1.8M À 2.4M	
13	1	302586	CONV. CHAIN 98 LINK CA620 F.ANGLE	CHAIN CONV. 98 MAILLE CA620 F.ANGLE	
13.1	2	302583	CA620 CONNECTING LINK	MAILLE PATENTE CA620 CONNECT LINK	
14	3	500700	CARRIAGE BOLT M10 X 1.50 X 25 CL4.6	BOULON CAROSSERIE M10 X 1.50 X 25 CL4.6	
15	79	502002	FLAT WASHER 1/4 Z	RONDELLE PLATE 1/4 Z	
16	3	502004	FLAT WASHER 3/8 Z	RONDELLE PLATE 3/8 Z	
17	13	502008-1	FLAT WASHER 5/8 Z-SAE	RONDELLE PLATE 5/8 Z-SAE	
18	26	506000	HEX. BOLT M8 X 1.25 X 20mm CL8.8	BOULON HEX. M8 X 1.25 X 20mm CL8.8	
19	13	506001	HEX. BOLT M8 X 1.25 X 25mm CL8.8	BOULON HEX. M8 X 1.25 X 25mm CL8.8	
20	12	506012	HEX. BOLT M16 X 2 X 40mm CL8.8	BOULON HEX. M16 X 2 X 40mm CL8.8	
21	38	507052-1	HEX FLAT SOCKET HEAD BOLT M8 X 1,25 - 25	BOULON TÊTE CREUSE PLATE HEX M8 X 1,25 - 25	
22	78	506051	NYLON NUT M8 X 1.25	ECROU NYLON M8 X 1.25	
23	3	506039	NYLON NUT M10 X 1.5	ECROU NYLON M10 X 1.5	
24	28	506037	NYLON NUT M16 X 2	ECROU NYLON M16 X 2	
25	4	404063	HANG HERE STICKER	DÉCALQUE ACCROCHEZ ICI	
26	2	097-CON-DW	HOSE HOLDER BRACKET	SUPPORT DE BOYAU	
27	3	470051	DOUBLE HOSE HOLDER 21.3mm (0.84")	SUPPORT BOYAU DOUBLE 21.3mm (0.84")	
28	2	506012-1	HBZ M16 - 2.00 X 30MM CL 8.8	HBZ M16 - 2.00 X 30MM CL 8.8	

# 20F - INCLINED FD CHAIN CONVEYOR (2.1M) / CONVOYEUR À CHAÎNE INCLINÉ FD (2.1M)



## INTER SECTION / SECTION INTER



# 20F - INCLINED FD CHAIN CONVEYOR (2.1M) / CONVOYEUR À CHAÎNE INCLINÉ FD (2.1M)

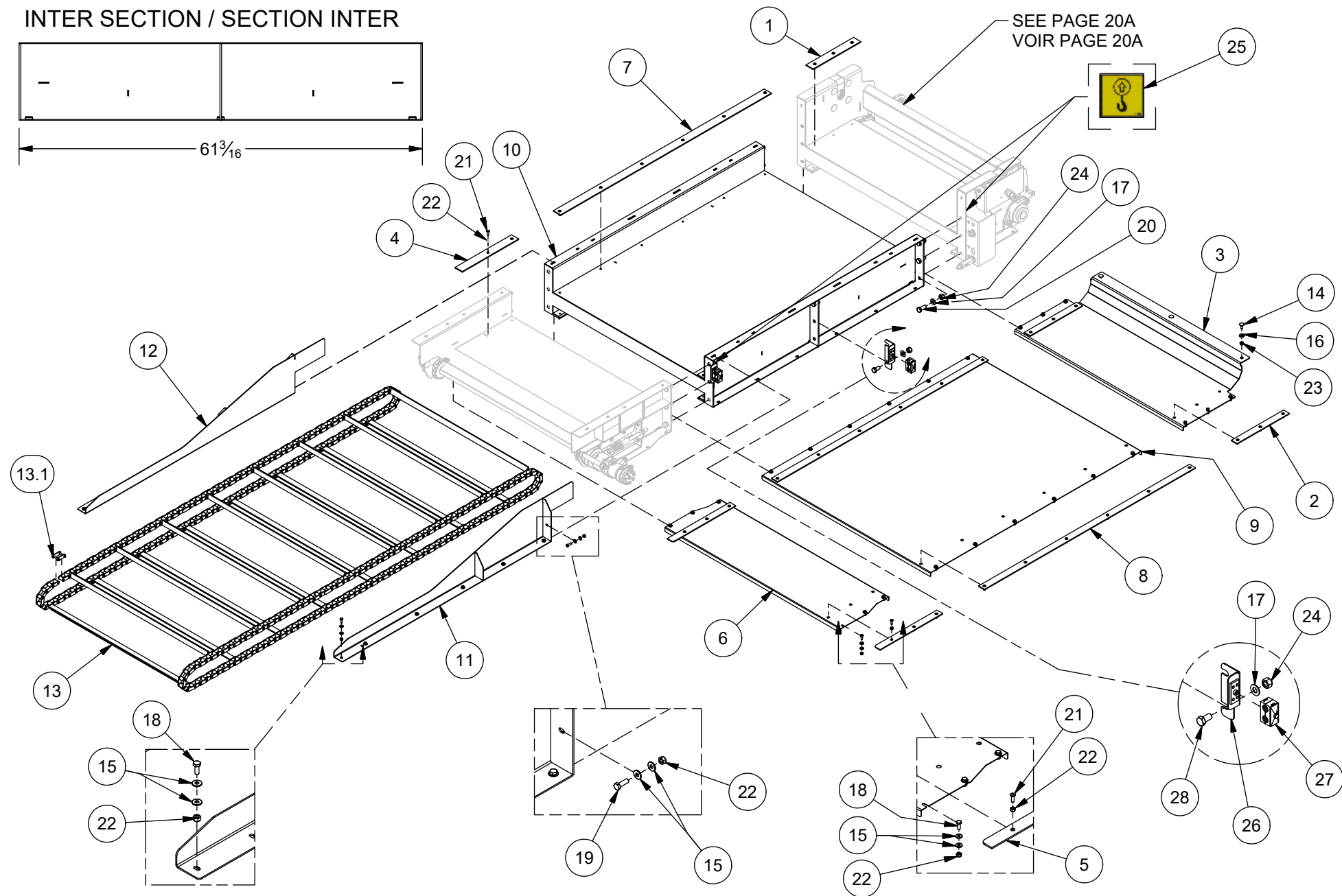
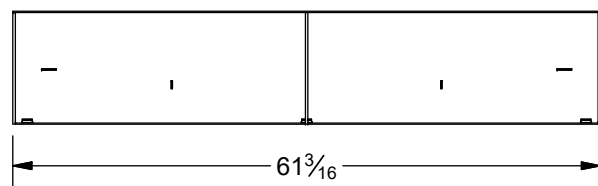


ITEM	QT	PART/PIECE	ENGLISH DESCRIPTION	DESCRIPTION FRANCAISE	NOTE
1	2	097-CON-130	BLACK UHMW ABOVE CHAIN CONVEYOR FOOT	UHMW NOIR DESSUS LE PIED DU CONVOYEUR À CHAÎNE	3/16" X 2 1/8" X 13 3/4"
2	2	097-CON-120	BLACK UHMW UNDER CHAIN CONVEYOR FOOT	UHMW NOIR SOUS LE PIED DU CONVOYEUR À CHAÎNE	3/16" X 1 3/4" X 15 1/8"
3	1	097-CON-168	GUARD UNDER CHAIN CONVEYOR FOOT	GARDE SOUS LE PIED DU CONVOYEUR À CHAÎNE	
4	2	097-CON-349	BLACK UHMW ABOVE CHAIN CONVEYOR HEAD	UHMW NOIR DESSUS LA TÊTE DU CONVOYEUR À CHAÎNE	3/16" X 2 1/8" X 16 3/8"
5	2	097-CON-123	BLACK UHMW UNDER CHAIN CONVEYOR HEAD	UHMW NOIR SOUS LA TÊTE DU CONVOYEUR À CHAÎNE	3/16" X 1 3/4" X 18 1/8"
6	1	097-CON-172	GUARD UNDER CHAIN CONVEYOR HEAD	GARDE SOUS LE TÊTE DU CONVOYEUR À CHAÎNE	
7	2	097-CON-220	BLACK UHMW UNDER CHAIN CONVEYOR INTER 2.1M	UHMW NOIR DESSUS DU CONVOYEUR À CHAÎNE INTER 2.1M	3/16" X 2 1/8" X 51 1/8"
8	2	097-CON-221	BLACK UHMW UNDER CHAIN CONVEYOR INTER 2.1M	UHMW NOIR SOUS LE CONVOYEUR À CHAÎNE INTER 2.1M	3/16" X 1 3/4" X 51 1/8"
9	1	097-CON-222	GUARD UNDER CHAIN CONVEYOR INTER 2.1M	GARDE SOUS LE CONVOYEUR À CHAÎNE INTER 2.1M	
10	1	097-CON-CD	INTER 2.1M CONVEYOR FRAME	CADRE DE CONVOYEUR INTER 2.1M	
11	1	097-CON-DZ	LEFT CONVEYOR CAPACITY EXTENSION 1.8M TO 2.4M	REHAUSSE DE CONVOYEUR GAUCHE 1.8M À 2.4M	
12	1	097-CON-EA	RIGHT CONVEYOR CAPACITY EXTENSION 1.8M TO 2.4M	REHAUSSE DE CONVOYEUR DROIT 1.8M À 2.4M	
13	1	302585	CONV. CHAIN 116 LINK CA620 F.ANGLE	CHAÎNE CONV. 116 MAILLE CA620 F.ANGLE	
13.1	2	302583	CA620 CONNECTING LINK	MAILLE PATENTE CA620 CONNECT LINK	
14	3	500700	CARRIAGE BOLT M10 X 1.50 X 25 CL.4.6	BOULON CAROSSERIE M10 X 1.50 X 25 CL.4.6	
15	79	502002	FLAT WASHER 1/4 Z	RONDELLE PLATE 1/4 Z	
16	3	502004	FLAT WASHER 3/8 Z	RONDELLE PLATE 3/8 Z	
17	13	502008-1	FLAT WASHER 5/8 Z-SAE	RONDELLE PLATE 5/8 Z-SAE	
18	26	506000	HEX. BOLT M8 X 1.25 X 20mm CL8.8	BOULON HEX. M8 X 1.25 X 20mm CL8.8	
19	13	506001	HEX. BOLT M8 X 1.25 X 25mm CL8.8	BOULON HEX. M8 X 1.25 X 25mm CL8.8	
20	12	506012	HEX. BOLT M16 X 2 X 40mm CL8.8	BOULON HEX. M16 X 2 X 40mm CL8.8	
21	38	507052-1	HEX FLAT SOCKET HEAD BOLT M8 X 1,25 - 25	BOULON TÊTE CREUSE PLATE HEX M8 X 1,25 - 25	
22	79	506051	NYLON NUT M8 X 1.25	ECROU NYLON M8 X 1.25	
23	3	506039	NYLON NUT M10 X 1.5	ECROU NYLON M10 X 1.5	
24	28	506037	NYLON NUT M16 X 2	ECROU NYLON M16 X 2	
25	4	404063	HANG HERE STICKER	DÉCALQUE ACCROCHEZ ICI	
26	2	097-CON-DW	HOSE HOLDER BRACKET	SUPPORT DE BOYAU	
27	3	470051	DOUBLE HOSE HOLDER 21.3mm (0.84")	SUPPORT BOYAU DOUBLE 21.3mm (0.84")	
28	2	506012-1	HBZ M16 - 2.00 X 30MM CL 8.8	HBZ M16 - 2.00 X 30MM CL 8.8	

# 20G - INCLINED FD CHAIN CONVEYOR (2.4M) / CONVOYEUR À CHAÎNE INCLINÉ FD (2.4M)



## INTER SECTION / SECTION INTER





# 20G - INCLINED FD CHAIN CONVEYOR (2.4M) / CONVOYEUR À CHAÎNE INCLINÉ FD (2.4M)



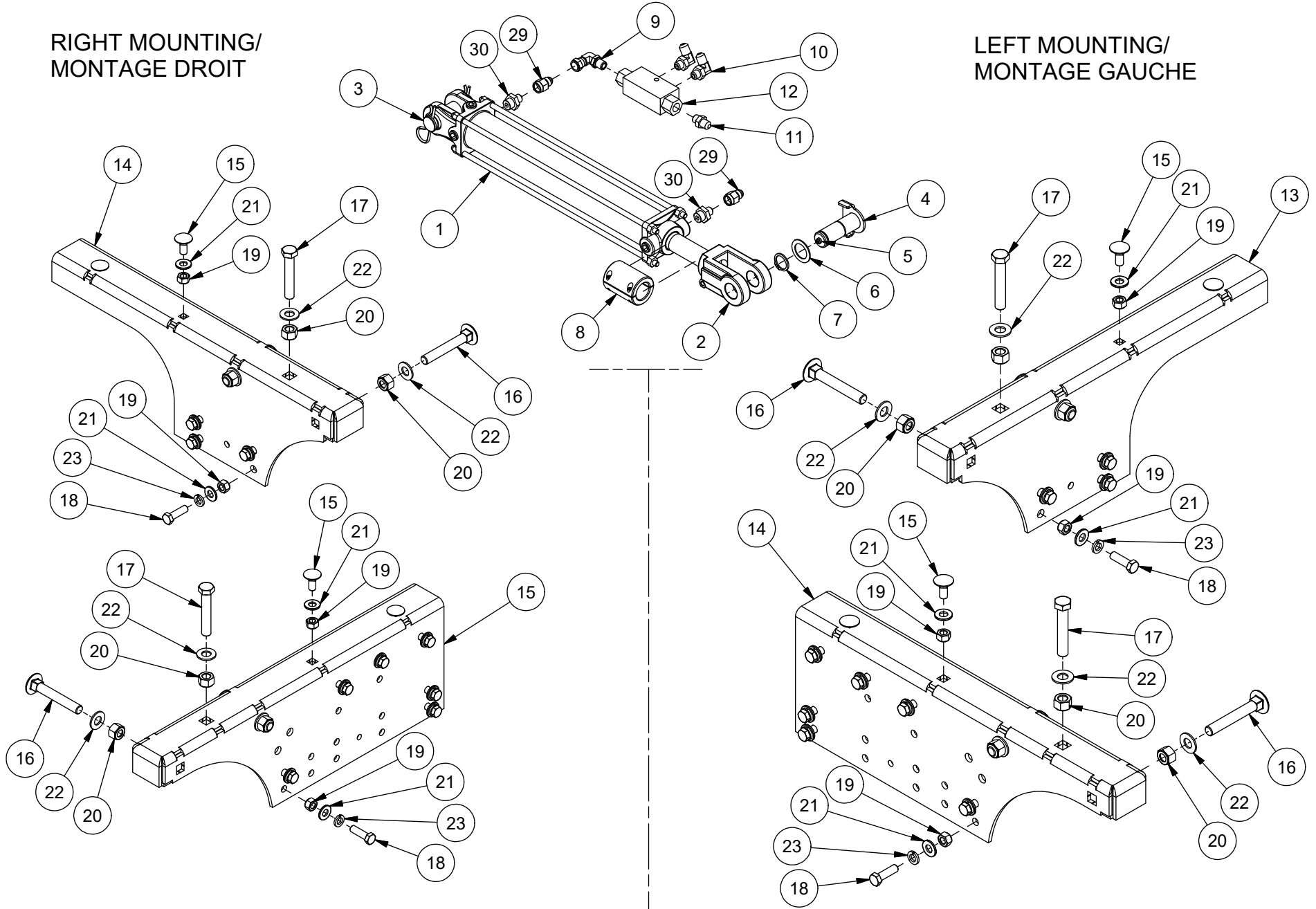
ITEM	QT	PART/PIECE	ENGLISH DESCRIPTION	DESCRIPTION FRANCAISE	NOTE
1	2	097-CON-130	BLACK UHMW ABOVE CHAIN CONVEYOR FOOT	UHMW NOIR DESSUS LE PIED DU CONVOYEUR À CHAÎNE	3/16" X 2 1/8" X 13 3/4"
2	2	097-CON-120	BLACK UHMW UNDER CHAIN CONVEYOR FOOT	UHMW NOIR SOUS LE PIED DU CONVOYEUR À CHAÎNE	3/16" X 1 3/4" X 15 1/8"
3	1	097-CON-168	GUARD UNDER CHAIN CONVEYOR FOOT	GARDE SOUS LE PIED DU CONVOYEUR À CHAÎNE	
4	2	097-CON-349	BLACK UHMW ABOVE CHAIN CONVEYOR HEAD	UHMW NOIR DESSUS LA TÊTE DU CONVOYEUR À CHAÎNE	3/16" X 2 1/8" X 16 3/8"
5	2	097-CON-123	BLACK UHMW UNDER CHAIN CONVEYOR HEAD	UHMW NOIR SOUS LA TÊTE DU CONVOYEUR À CHAÎNE	3/16" X 1 3/4" X 18 1/8"
6	1	097-CON-172	GUARD UNDER CHAIN CONVEYOR HEAD	GARDE SOUS LE TÊTE DU CONVOYEUR À CHAÎNE	
7	2	097-CON-121	BLACK UHMW ABOVE CHAIN CONVEYOR INTER 2.4M	UHMW NOIR DESSUS DU CONVOYEUR À CHAÎNE INTER 2.4M	3/16" X 2 1/8" X 61"
8	2	097-CON-140	BLACK UHMW UNDER CHAIN CONVEYOR INTER 2.4M	UHMW NOIR SOUS LE CONVOYEUR À CHAÎNE INTER 2.4M	3/16" X 1 3/4" X 61"
9	1	097-CON-173	GUARD UNDER CHAIN CONVEYOR INTER 2.4M	GARDE SOUS LE CONVOYEUR À CHAÎNE INTER 2.4M	
10	1	097-CON-BW	INTER 2.4M CONVEYOR FRAME	CADRE DE CONVOYEUR INTER 2.4M	
11	1	097-CON-DZ	LEFT CONVEYOR CAPACITY EXTENSION 1.8M TO 2.4M	REHAUSSE DE CONVOYEUR GAUCHE 1.8M À 2.4M	
12	1	097-CON-EA	RIGHT CONVEYOR CAPACITY EXTENSION 1.8M TO 2.4M	REHAUSSE DE CONVOYEUR DROIT 1.8M À 2.4M	
13	1	302581	CONV. CHAIN 128 LINK CA620 F.ANGLE	CHAIN CONV. 128 MAILLE CA620 F.ANGLE	
13.1	2	302583	CA620 CONNECTING LINK	MAILLE PATENTE CA620 CONNECT LINK	
14	3	500700	CARRIAGE BOLT M10 X 1.50 X 25 CL4.6	BOULON CAROSSERIE M10 X 1.50 X 25 CL4.6	
15	87	502002	FLAT WASHER 1/4 Z	RONDELLE PLATE 1/4 Z	
16	3	502004	FLAT WASHER 3/8 Z	RONDELLE PLATE 3/8 Z	
17	13	502008-1	FLAT WASHER 5/8 Z-SAE	RONDELLE PLATE 5/8 Z-SAE	
18	30	506000	HEX. BOLT M8 X 1.25 X 20mm CL8.8	BOULON HEX. M8 X 1.25 X 20mm CL8.8	
19	13	506001	HEX. BOLT M8 X 1.25 X 25mm CL8.8	BOULON HEX. M8 X 1.25 X 25mm CL8.8	
20	12	506012	HEX. BOLT M16 X 2 X 40mm CL8.8	BOULON HEX. M16 X 2 X 40mm CL8.8	
21	46	507052-1	HEX FLAT SOCKET HEAD BOLT M8 X 1,25 - 25	BOULON TÊTE CREUSE PLATE HEX M8 X 1,25 - 25	
22	90	506051	NYLON NUT M8 X 1.25	ECROU NYLON M8 X 1.25	
23	3	506039	NYLON NUT M10 X 1.5	ECROU NYLON M10 X 1.5	
24	28	506037	NYLON NUT M16 X 2	ECROU NYLON M16 X 2	
25	4	404063	HANG HERE STICKER	DÉCALQUE ACCROCHEZ ICI	
26	2	097-CON-DW	HOSE HOLDER BRACKET	SUPPORT DE BOYAU	
27	3	470051	DOUBLE HOSE HOLDER 21.3mm (0.84")	SUPPORT BOYAU DOUBLE 21.3mm (0.84")	
28	2	506012-1	HBZ M16 - 2.00 X 30MM CL 8.8	HBZ M16 - 2.00 X 30MM CL 8.8	

# 20H - MOUNTING KIT (CHAIN) / KIT DE MONTAGE (CHAINE)



RIGHT MOUNTING/  
MONTAGE DROIT

LEFT MOUNTING/  
MONTAGE GAUCHE



# 20H - MOUNTING KIT (CHAIN) / KIT DE MONTAGE (CHAINE)



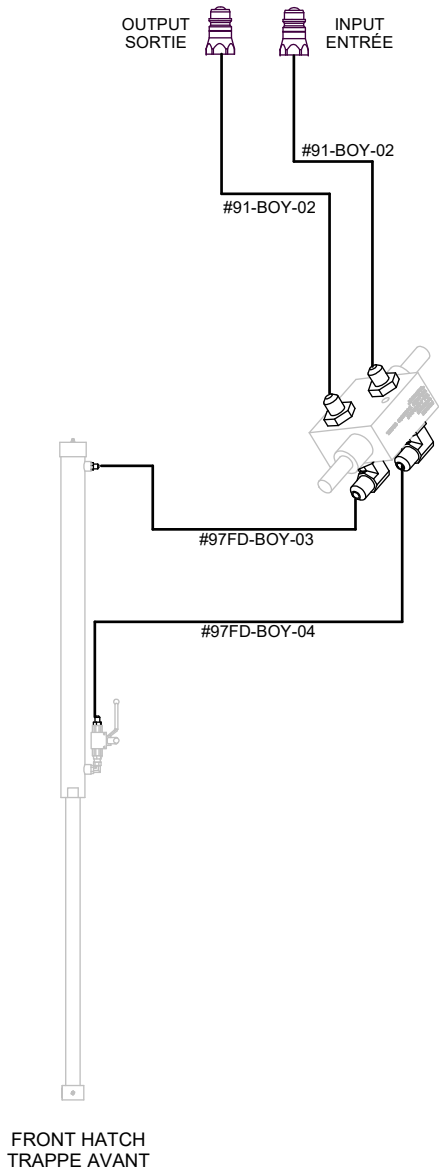
RIGHT MOUNTING / MONTAGE DROIT					
ITEM	QT	PART/PIECE	ENGLISH DESCRIPTION	DESCRIPTION FRANCAISE	NOTE
1	1	467206	CYLINDER HTR 2012	CYLINDRE HTR 2012	SEAL KIT 467860
2	1	467521	CLEVIS FOR CYLINDER	CLEVIS POUR VÉRIN	
3	1	320145	CYLINDER PIN 1"	GOUPILLE DE CYLINDRE 1"	
4	1	097-CON-DY	CYLINDER PIN	GOUPILLE DE CYLINDRE	
5	1	322299	GREASE FITTING	GRAISSEUR	
6	1	485206	FLAT WASHER dia 1.000 X .060	RONDELLE PLATE dia 1.000 X .060	
7	1	320005-1	RETAINING RING EXT. 1PO	BAGUE DE RETENUE EXT. 1PO	
8	1	322059	SHAFT COUPLING 1 1/8" ALUMINIUM	ACCOUPLLEMENT A ARBRE 1 1/8" ALUMINIUM	
9	1	451409	6 M.ORB - 6 F.JIC 90°	6 M.ORB - 6 F.JIC 90°	
10	2	451260	6 M.JIC - 6 M.ORB 90°	6 M.JIC - 6 M.ORB 90°	
11	1	451171	6 M.JIC- 6M.ORB	6 M.JIC- 6M.ORB	
12	1	466989	HYDRAULIC VALVE	VALVE HYDRAULIQUE	
14	1	097-CON-BE	INCLINED CONVEYOR RIGHT ATTACHMENT RIGHT CONFIG	ATTACHE DROITE DE CONVOYEUR INCLINÉ CONFIGURATION DROIT	
15	1	097-CON-AY	INCLINED CONVEYOR LEFT ATTACHMENT RIGHT CONFIG	ATTACHE GAUCHE DE CONVOYEUR INCLINÉ CONFIGURATION DROIT	
15	8	500701	CARRIAGE BOLT M12 X 1.75 X 30 CL8.8	BOULON CARROSSERIE M12 X 1.75 X 30 CL8.8	
16	8	500713	CARRIAGE BOLT M16 X 2 X 110 CL8.8	BOULON DE CARROSSERIE M16 X 2 X 110 CL8.8	
17	4	506134	HEX. BOLT M16 X 2 X 90mm CL8.8	BOULON HEX. M16 X 2 X 90mm CL8.8	
18	22	506129	HEX. BOLT M12 X 1.75 X 40mm CL8.8	BOULON HEX. M12 X 1.75 X 40mm CL8.8	
19	30	506040	NYLON NUT M12 X 1.75	ECROU NYLON M12 X 1.75	
20	12	506037	NYLON NUT M16 X 2	ECROU NYLON M16 X 2	
21	30	502006	FLAT WASHER 1/2 Z-SAE	RONDELLE PLATE 1/2 Z-SAE	
22	12	502008-1	FLAT WASHER 5/8 Z-SAE	RONDELLE PLATE 5/8 Z-SAE	
23	22	502048	LOCK WASHER 1/2	RONDELLE DE BLOCAGE 1/2	
29	2	450574	5100-06-06 HOLE 3/64	5100-06-06 ORIFICE 3/64	
30	2	451172	6 M JIC - 8 M ORB	6 M JIC - 8 M ORB	

LEFT MOUNTING / MONTAGE GAUCHE					
ITEM	QT	PART/PIECE	ENGLISH DESCRIPTION	DESCRIPTION FRANCAISE	NOTE
1	1	467206	CYLINDER HTR 2012	CYLINDRE HTR 2012	SEAL KIT 467860
2	1	467521	CLEVIS FOR CYLINDER	CLEVIS POUR VÉRIN	
3	1	320145	CYLINDER PIN 1"	GOUPILLE DE CYLINDRE 1"	
4	1	097-CON-DY	CYLINDER PIN	GOUPILLE DE CYLINDRE	
5	1	322299	GREASE FITTING	GRAISSEUR	
6	1	485206	FLAT WASHER dia 1.000 X .060	RONDELLE PLATE dia 1.000 X .060	
7	1	320005-1	RETAINING RING EXT. 1PO	BAGUE DE RETENUE EXT. 1PO	
8	1	322059	SHAFT COUPLING 1 1/8" ALUMINIUM	ACCOUPLLEMENT A ARBRE 1 1/8" ALUMINIUM	
9	1	451409	6 M.ORB - 6 F.JIC 90°	6 M.ORB - 6 F.JIC 90°	
10	2	451260	6 M.JIC - 6 M.ORB 90°	6 M.JIC - 6 M.ORB 90°	
11	1	451171	6 M.JIC- 6M.ORB	6 M.JIC- 6M.ORB	
12	1	466989	HYDRAULIC VALVE	VALVE HYDRAULIQUE	
13	1	097-CON-EN	INCLINED CONVEYOR LEFT ATTACHMENT LEFT CONFIG	ATTACHE GAUCHE DE CONVOYEUR INCLINÉ CONFIGURATION GAUCHE	
14	1	097-CON-EO	INCLINED CONVEYOR RIGHT ATTACHMENT LEFT CONFIG	ATTACHE DROITE DE CONVOYEUR INCLINÉ CONFIGURATION GAUCHE	
15	8	500701	CARRIAGE BOLT M12 X 1.75 X 30 CL8.8	BOULON CARROSSERIE M12 X 1.75 X 30 CL8.8	
16	8	500713	CARRIAGE BOLT M16 X 2 X 110 CL8.8	BOULON DE CARROSSERIE M16 X 2 X 110 CL8.8	
17	4	506134	HEX. BOLT M16 X 2 X 90mm CL8.8	BOULON HEX. M16 X 2 X 90mm CL8.8	
18	22	506129	HEX. BOLT M12 X 1.75 X 40mm CL8.8	BOULON HEX. M12 X 1.75 X 40mm CL8.8	
19	30	506040	NYLON NUT M12 X 1.75	ECROU NYLON M12 X 1.75	
20	12	506037	NYLON NUT M16 X 2	ECROU NYLON M16 X 2	
21	30	502006	FLAT WASHER 1/2 Z-SAE	RONDELLE PLATE 1/2 Z-SAE	
22	12	502008-1	FLAT WASHER 5/8 Z-SAE	RONDELLE PLATE 5/8 Z-SAE	
23	22	502048	LOCK WASHER 1/2	RONDELLE DE BLOCAGE 1/2	
29	2	450574	5100-06-06 HOLE 3/64	5100-06-06 ORIFICE 3/64	
30	2	451172	6 M JIC - 8 M ORB	6 M JIC - 8 M ORB	

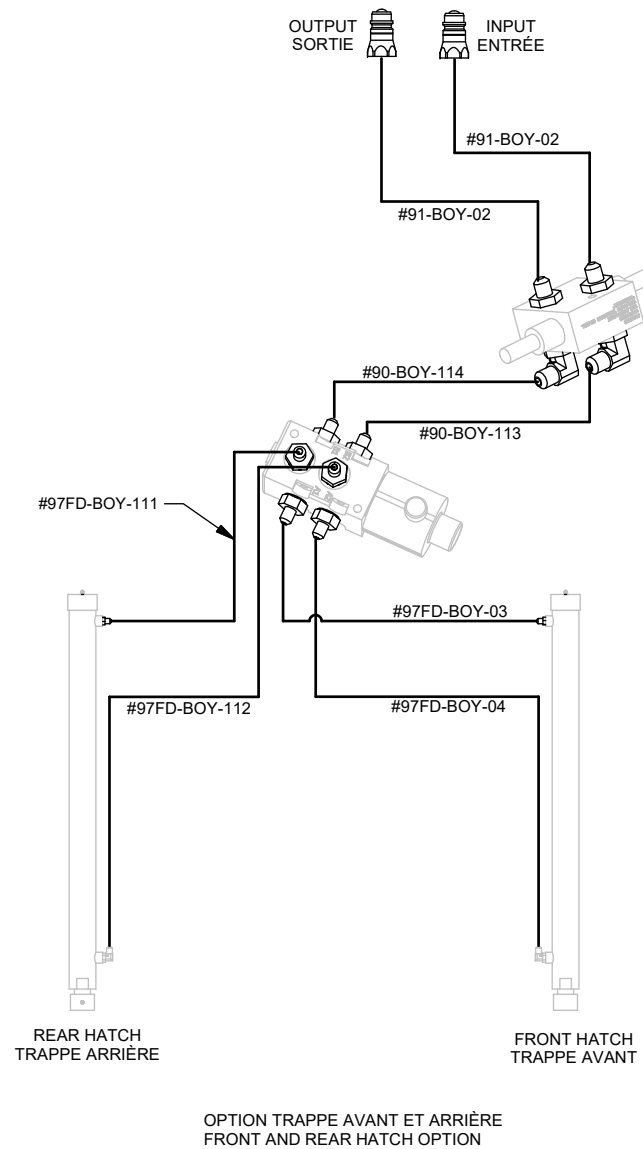
# 21A - HATCH AND RESTRICTOR BLADE / TRAPPE ET CONTRE-COUTEAU



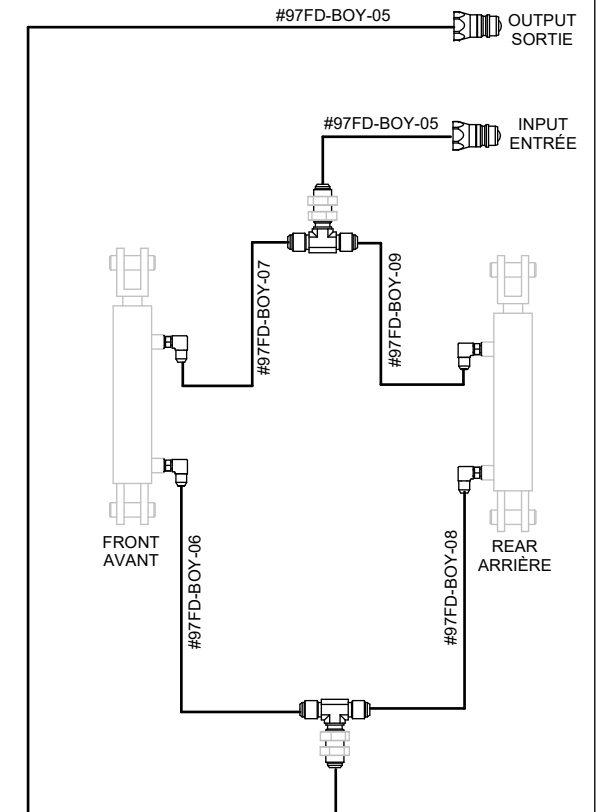
## ONLY FRONT HATCH TRAPPE AVANT SEULEMENT



## TWO HATCH OPTION OPTION DEUX TRAPPES

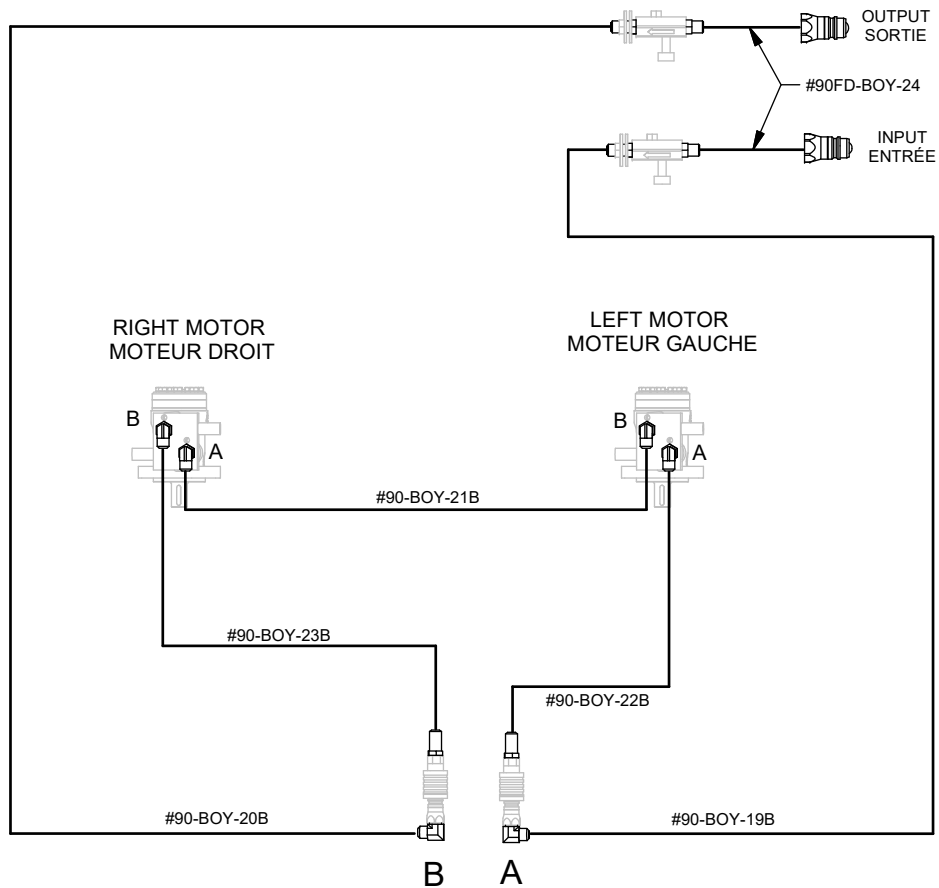


## RESTRICTOR BLADE OPTION OPTION DE CONTRE-COUTEAU

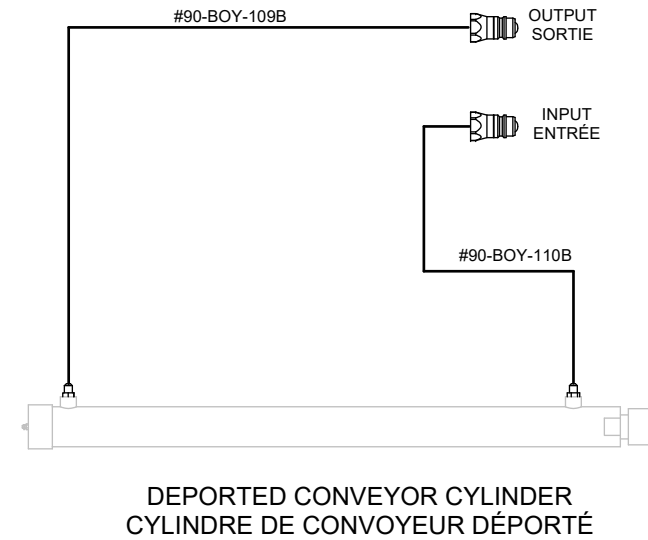


# 21B - HORIZONTAL BELT COVEYOR / CONVOYEUR À COURROIE HORIZONTAL

## HOROZONTAL CONVEYOR / CONVOYEUR HORIZONTAL



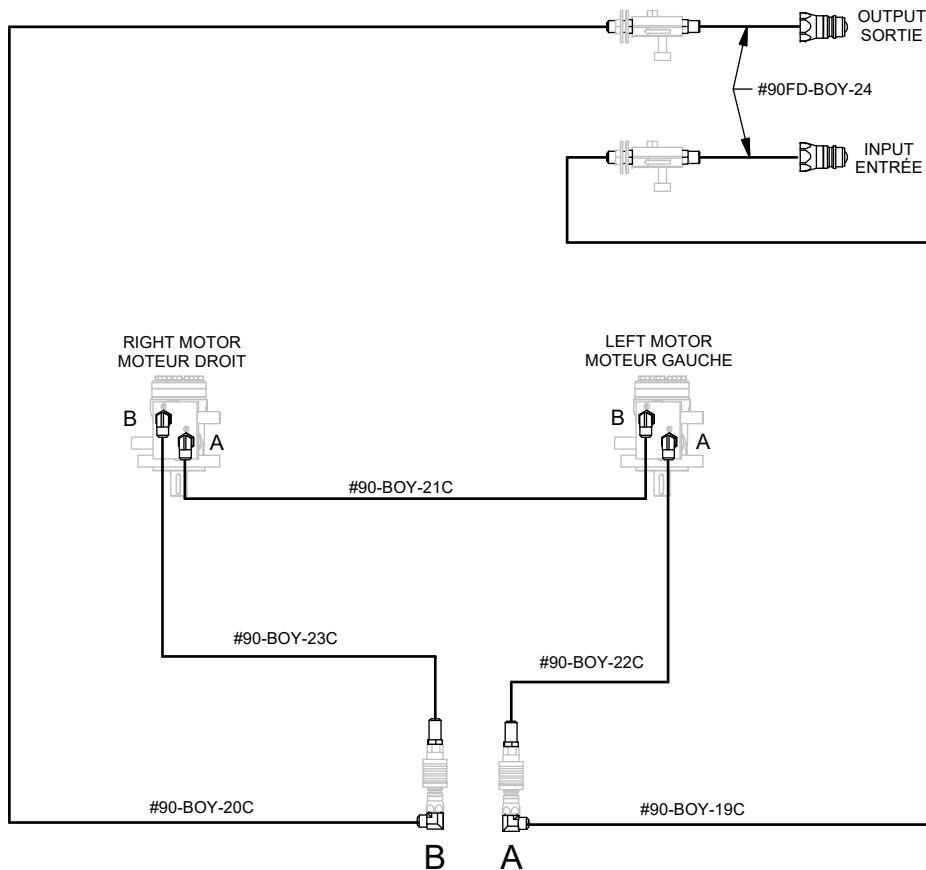
## HORIZONTAL DEPORTED CONVEYOR CONVOYEUR HORIZONTAL DÉPORTÉ



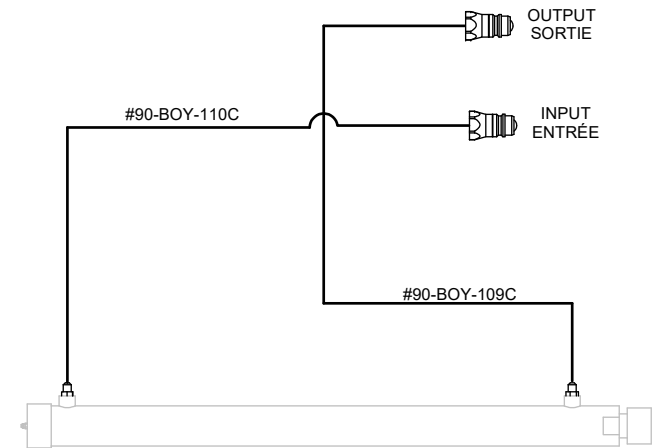
# 21C - HORIZONTAL CHAIN COVEYOR / CONVOYEUR À CHAÎNE HORIZONTAL



## HOROVZONTAL CONVEYOR / CONVOYEUR HORIZONTAL



## DEPORTED CYLINDER CONVEYOR CYLINDRE DE CONVOYEUR DÉPORTÉ

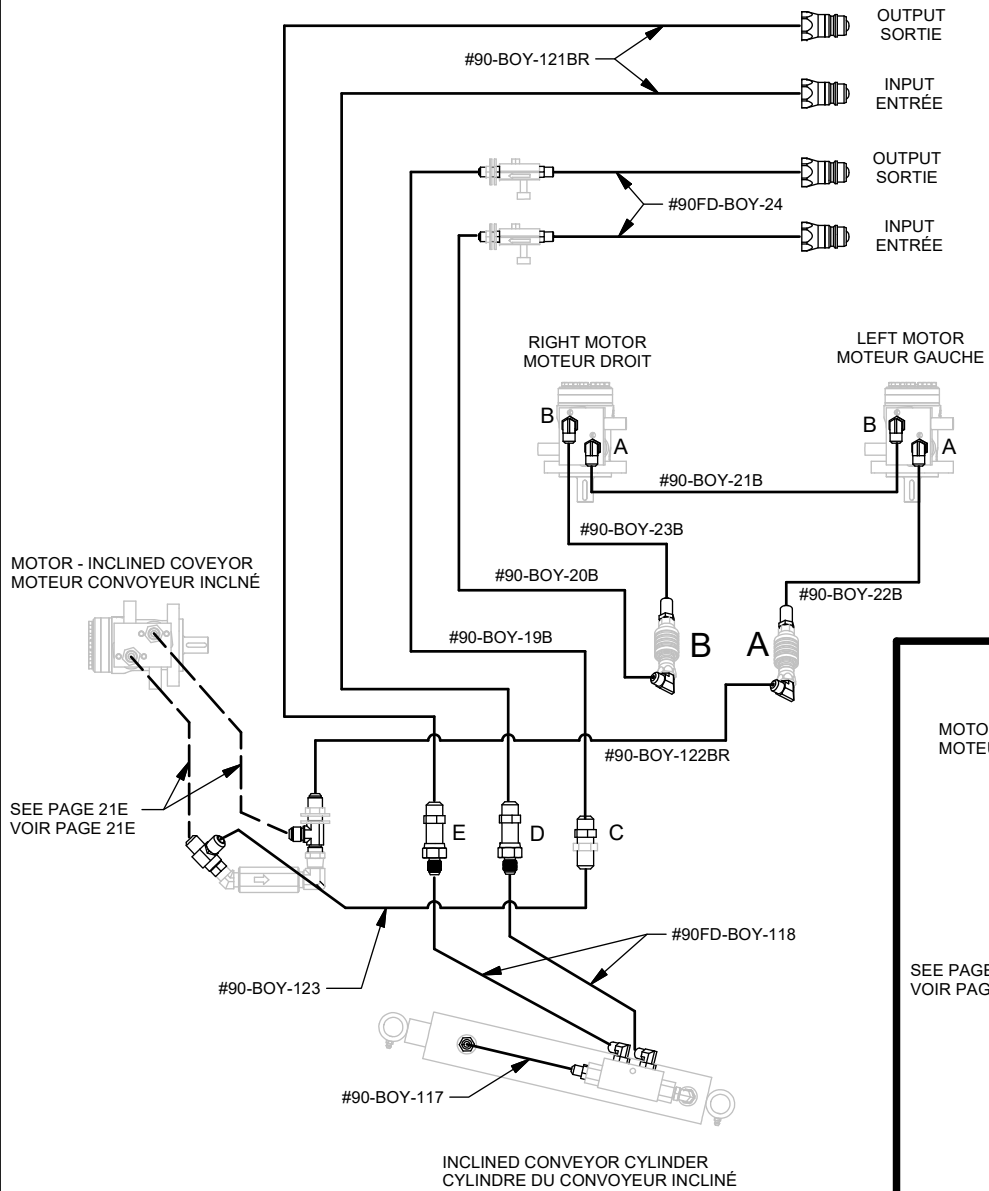


## DEPORTED CONVEYOR CYLINDER CYLINDRE DE CONVOYEUR DÉPORTÉ

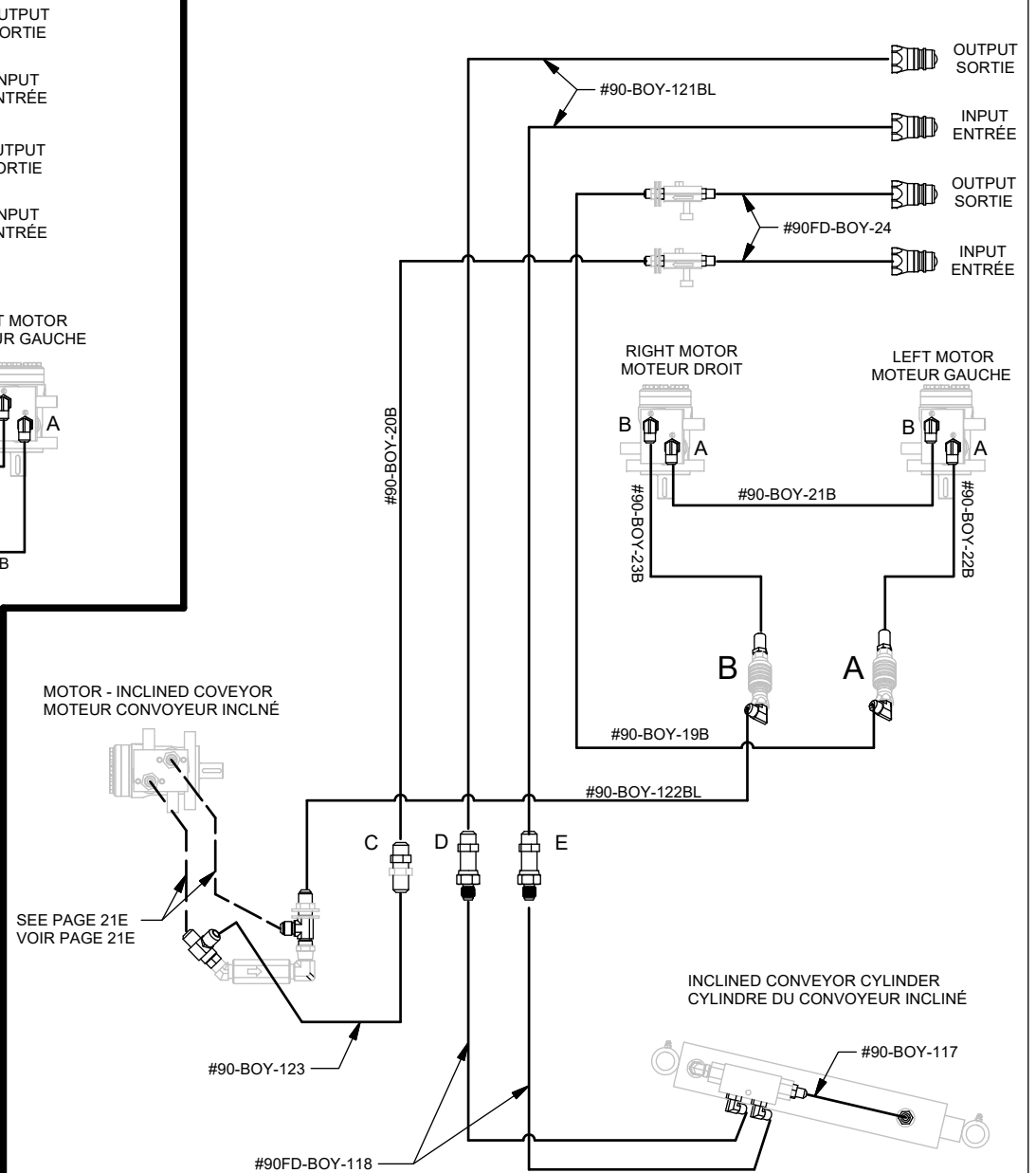
# 21D - INCLINED BELT CONVEYOR/ CONVOYEUR À COURROIE INCLINÉ



## INCLINED RIGHT CONVEYOR / CONVOYEUR INCLINÉ DROIT



## INCLINED LEFT CONVEYOR / CONVOYEUR INCLINÉ GAUCHE

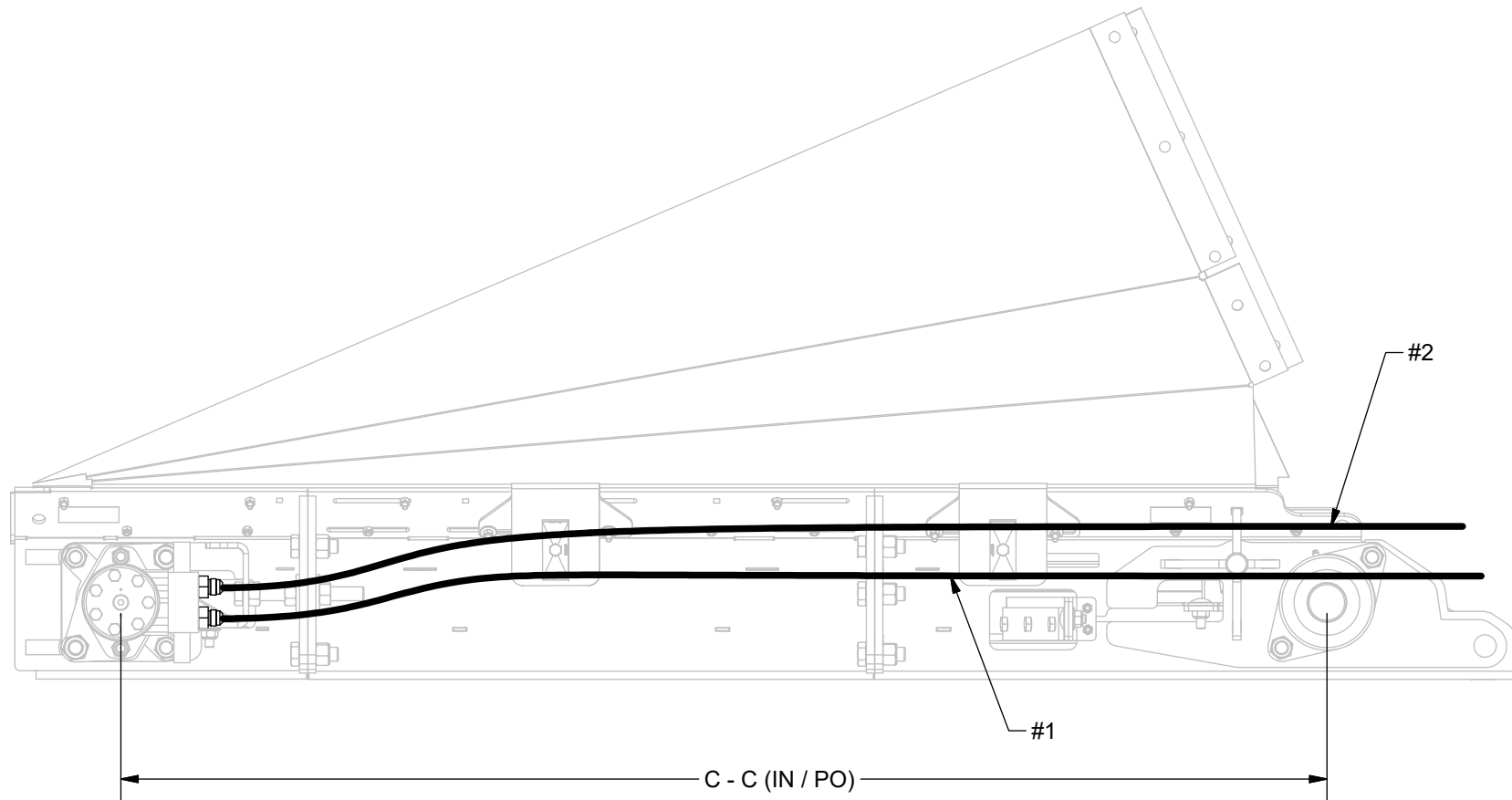


# 21E - INCLINED BELT CONVEYOR/ CONVOYEUR À COURROIE INCLINÉ



HOSE LIST CONVEYOR / LISTE DE BOYAUX CONVOYEUR

#	3FT / 0.9M	4FT / 1.2M	5FT / 1.5M	6FT / 1.8M	7FT / 2.1M	8FT / 2.4M
#1	IC90-BOY-115	IC120-BOY-115	IC150-BOY-115	IC180-BOY-115	IC210-BOY-115	IC240-BOY-115
#2	IC90-BOY-116	IC120-BOY-116	IC150-BOY-116	IC180-BOY-116	IC210-BOY-116	IC240-BOY-116
C - C	29 3/16	39	55 1/16	64 15/16	80 15/16	90 13/16

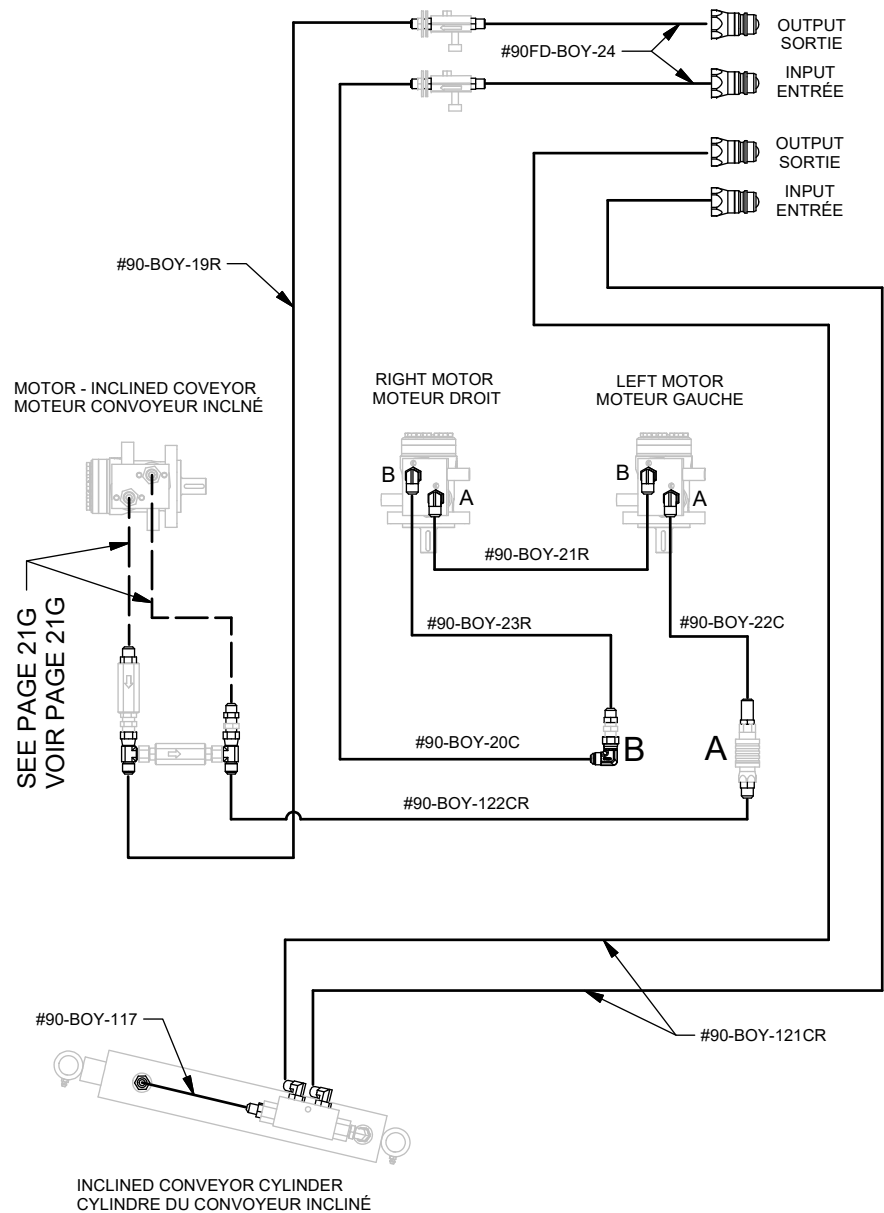




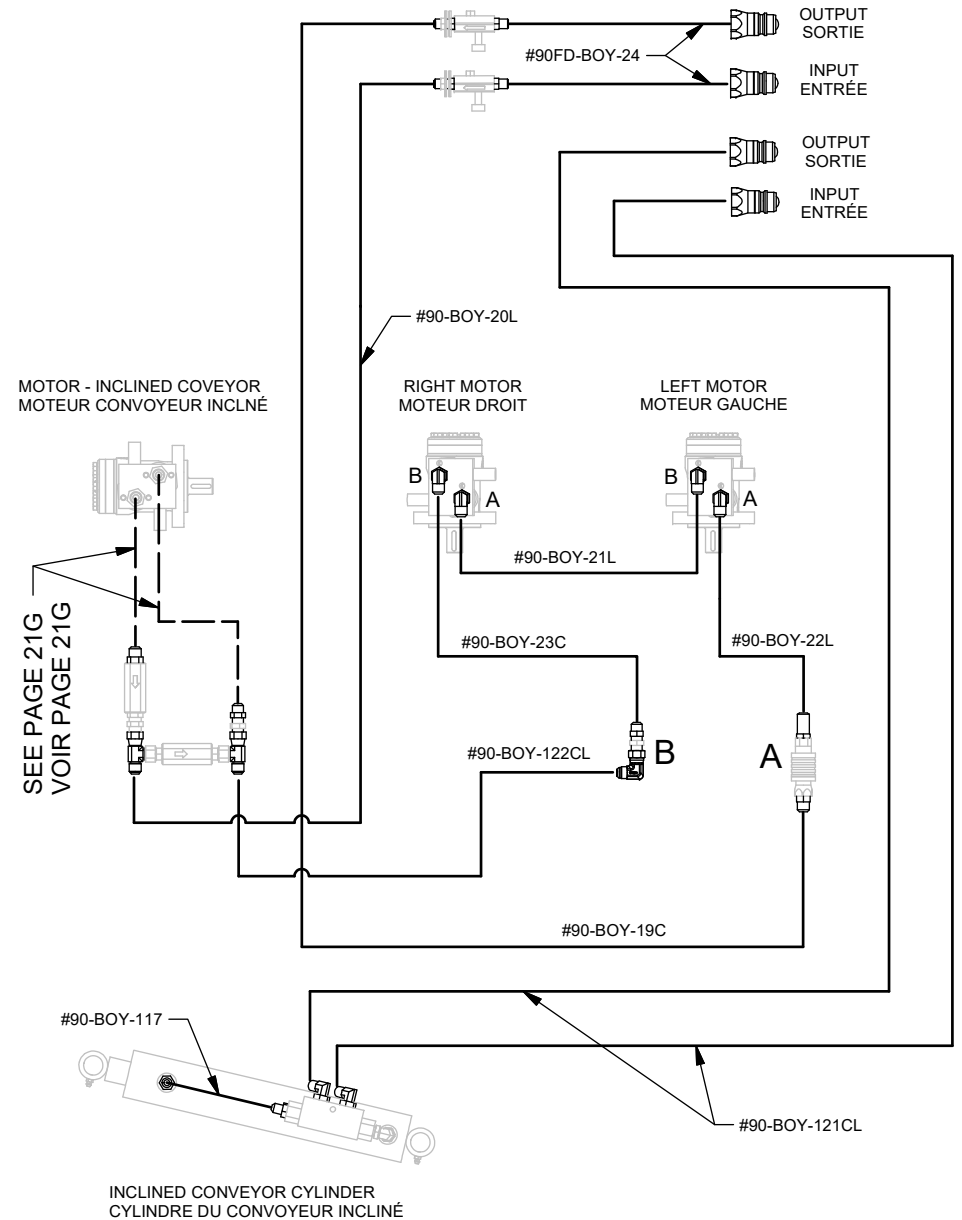
# 21F - INCLINED CHAIN CONVEYOR/ CONVOYEUR À CHAÎNE INCLINÉ



## INCLINED RIGHT CONVEYOR / CONVOYEUR INCLINÉ DROIT



## INCLINED LEFT CONVEYOR / CONVOYEUR INCLINÉ GAUCHE

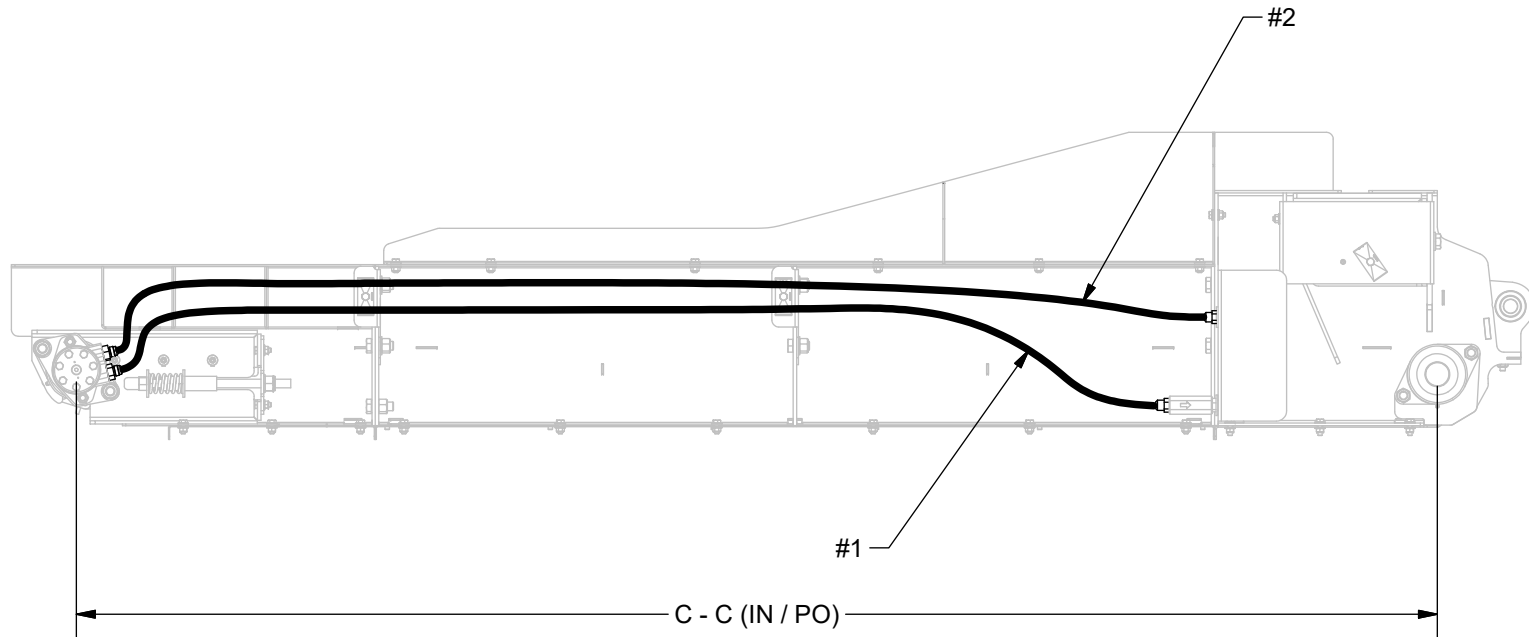


# 21G - INCLINED CHAINS CONVEYOR/ CONVOYEUR À CHAÎNE INCLINÉ

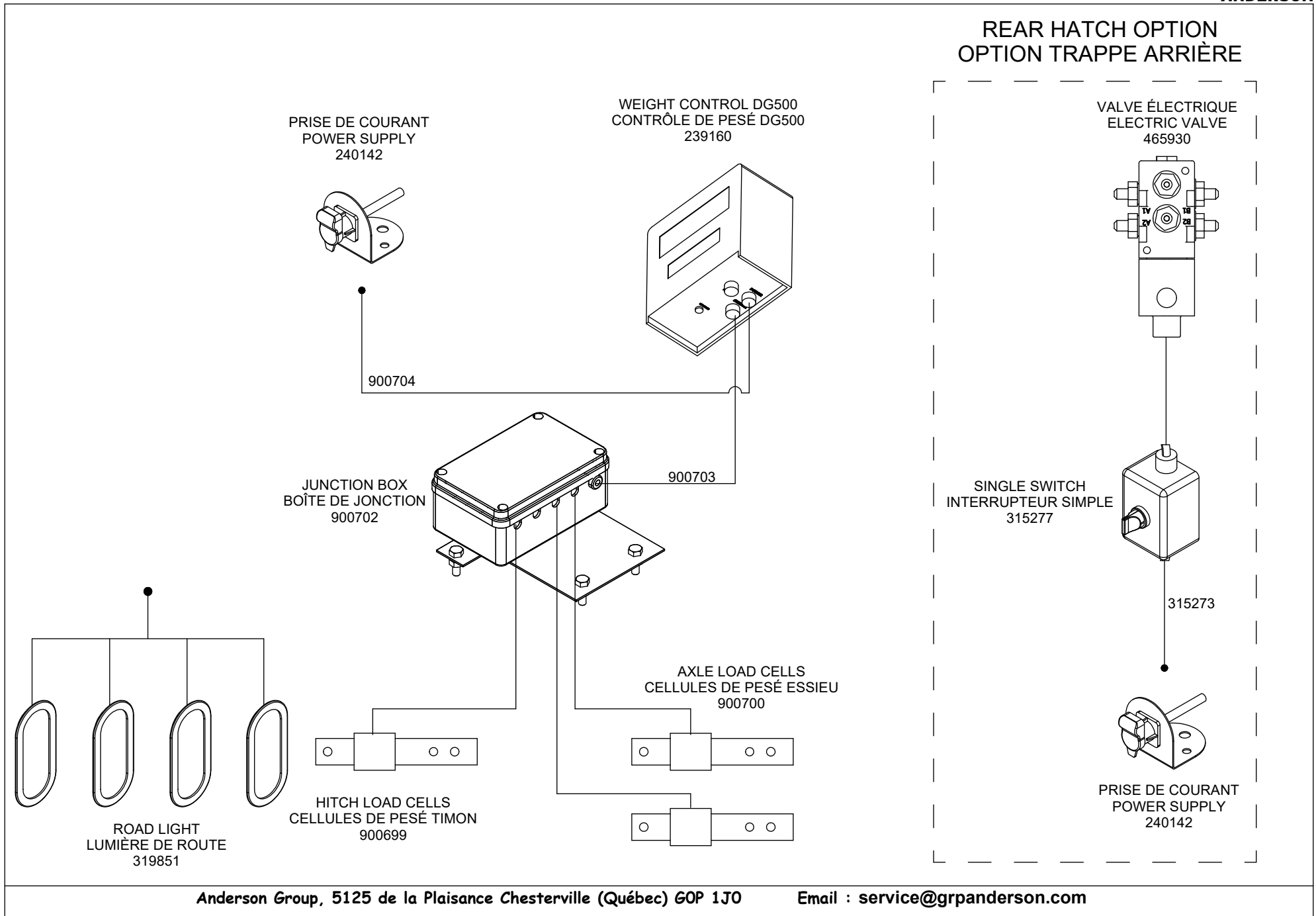


HOSE LIST CONVEYOR / LISTE DE BOYAUX CONVOYEUR

#	3FT / 0.9M	4FT / 1.2M	5FT / 1.5M	6FT / 1.8M	7FT / 2.1M	8FT / 2.4M
#1	IC90FD-BOY-115	IC120FD-BOY-115	IC150FD-BOY-115	IC180FD-BOY-115	IC210FD-BOY-115	IC240FD-BOY-115
#2	IC90FD-BOY-116	IC120FD-BOY-116	IC150FD-BOY-116	IC180FD-BOY-116	IC210FD-BOY-116	IC240FD-BOY-116
C - C	38 1/16	47 15/16	64 1/2	74 7/16	89 5/16	99 1/4

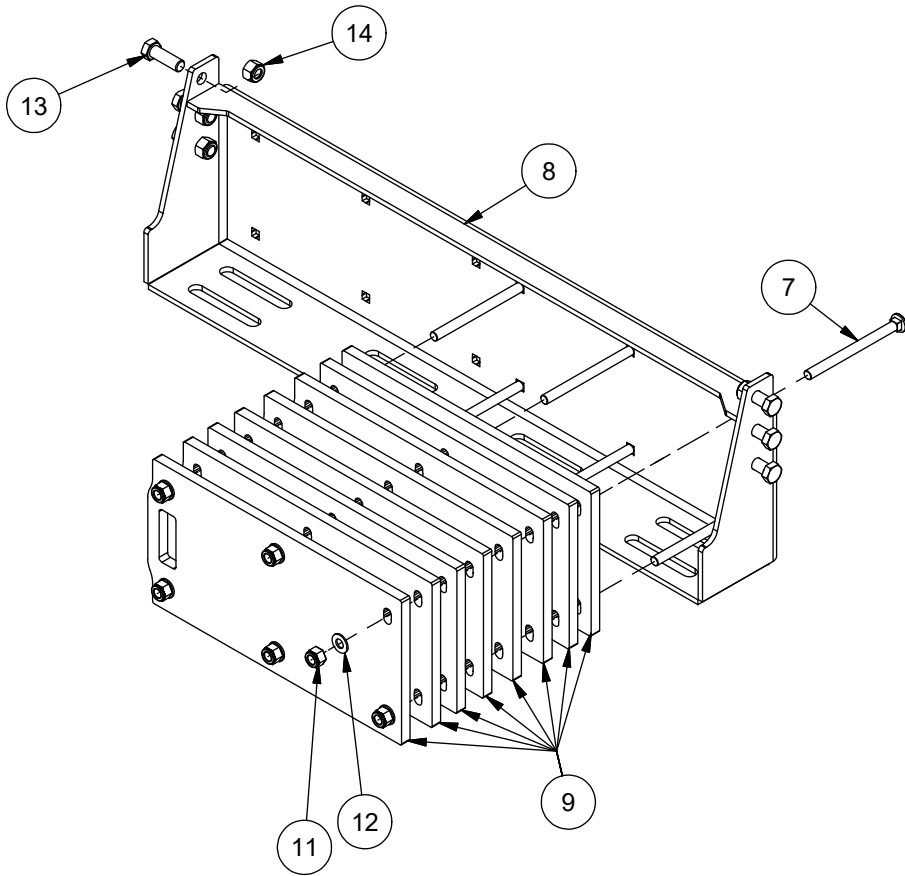


# 22 - DG500 ELECTRIC DIAGRAM / DIAGRAMME ÉLECTRIQUE DG500

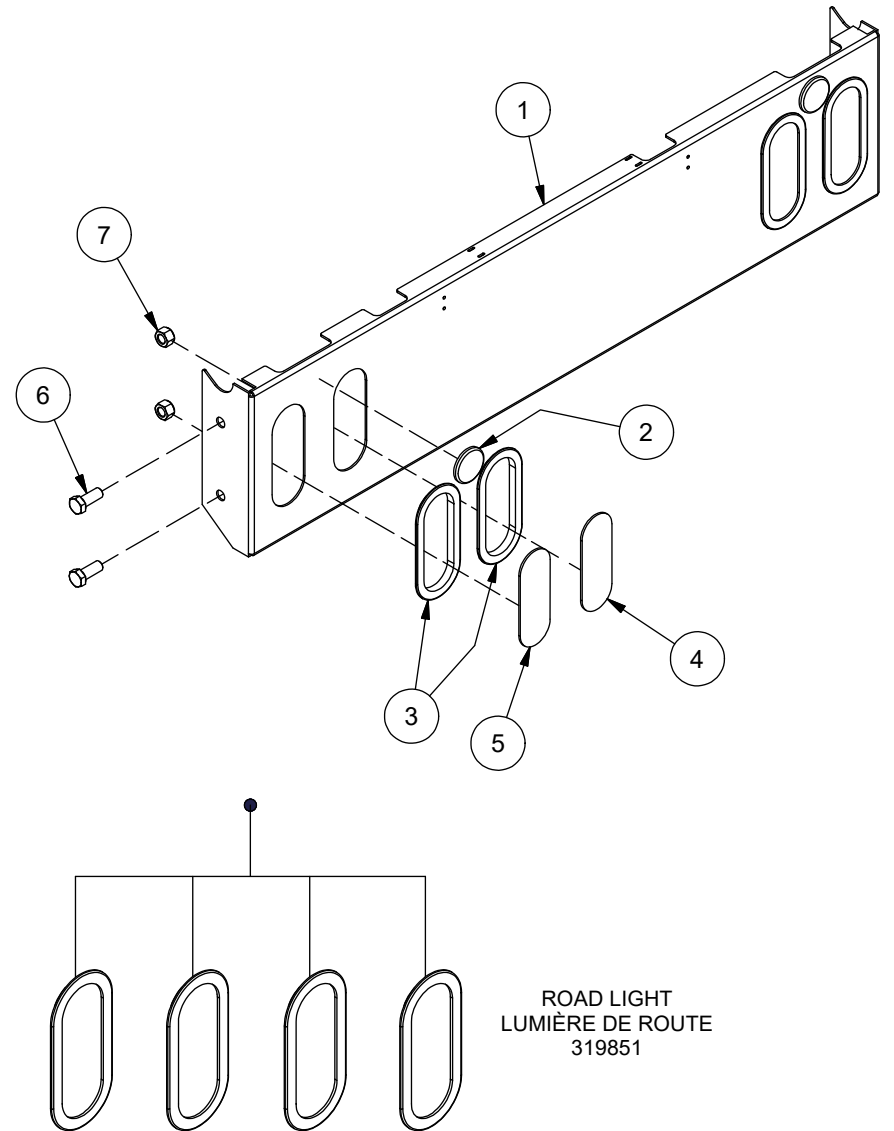


# 23 - BUMPER AND COUNTERWEIGHT / PARE-CHOC ET CONTREPOIDS

## COUNTERWEIGHT / CONTREPOIDS



## BUMPER / PARE-CHOC



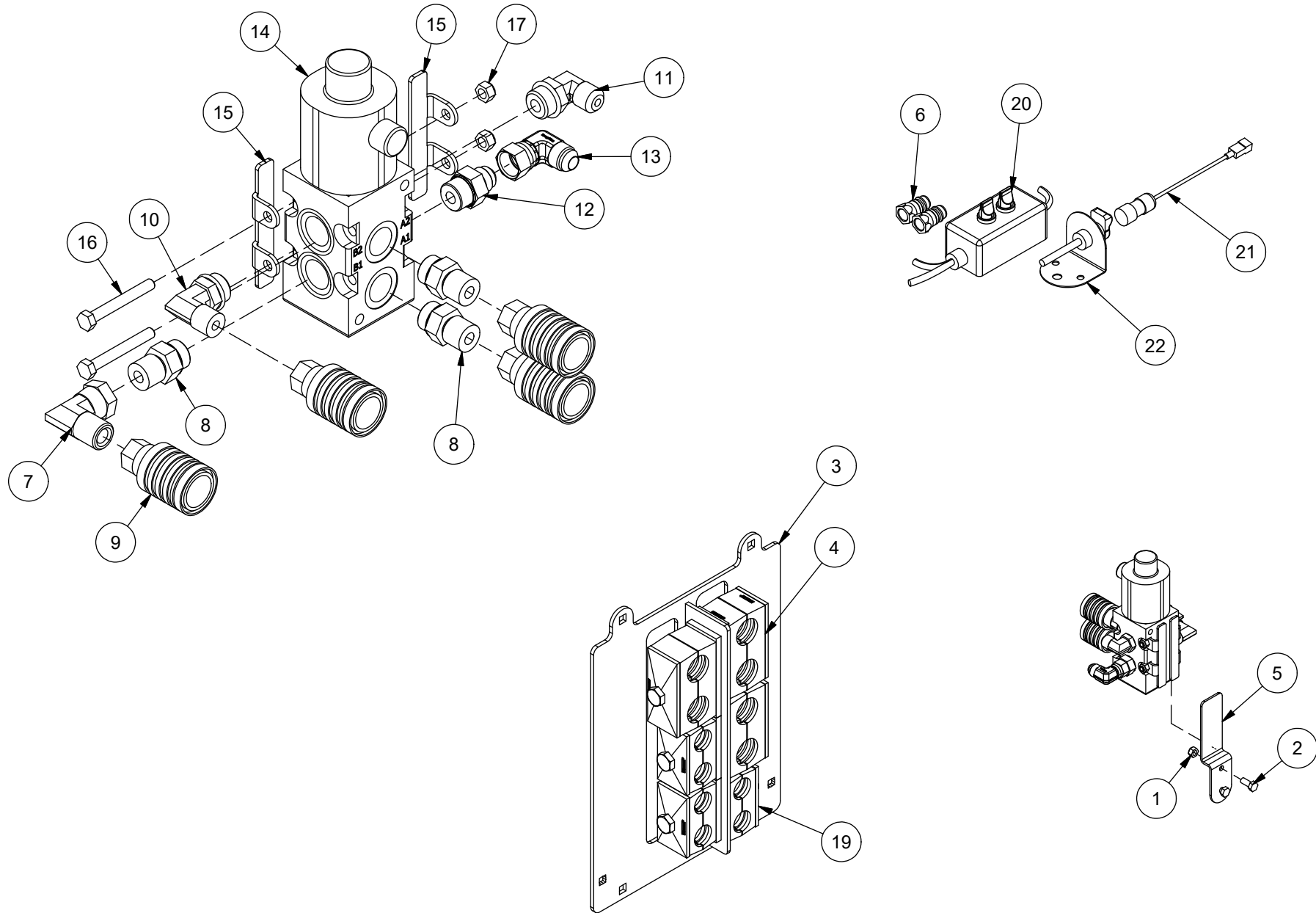
# 23 - BUMPER AND COUNTERWEIGHT / PARE-CHOC ET CONTREPOIDS



PARE CHOC / BUMPER					
ITEM	QT	PART/PIECE	ENGLISH DESCRIPTION	DESCRIPTION FRANCAISE	NOTE
1	1	090-FRM-215	BUMPER	PARE-CHOC	
2	2	900563	REFLECTOR	RÉFLECTEUR	
3	4	319877-1	LIGHT CONTOUR	LUMIERE CONTOUR	
4	2	319883	RED LIGHT	LUMIERE ROUGE	
5	2	319882	YELLOW LIGHT	LUMIERE JAUNE	
6	4	506012	HEX. BOLT M16 X 2 X 40mm CL8.8	BOULON HEX. M16 X 2 X 40mm CL8.8	
7	4	506037	NYLON NUT M16 X 2	ECROU NYLON M16 X 2	

CONTREPOIDS / COUNTERWEIGHT					
ITEM	QT	PART/PIECE	ENGLISH DESCRIPTION	DESCRIPTION FRANCAISE	NOTE
7	6	500554	CARRIAGE BOLT	BOULON DE CARROSSERIE	
8	1	097-FRM-017	CONTERWEIGHT BRACKET	SUPPORT CONTREPOIDS	
9	8	097-FRM-016	WEIGHT	POIDS	
11	6	501035	HEX NYLON LOCKNUT GR5 5/8-11 Z	ÉCROU NYLON IND HEX GR5 5/8-11 Z	
12	6	502008-1	FLAT WASHER 5/8 Z-SAE	RONDELLE PLATE 5/8 Z-SAE	
13	6	506054	HEX. BOLT M16 X 2.5 X 60mm CL8.8	BOULON HEX. M20 X 2.5 X 60mm CL8.8	
14	6	506038	NYLON NUT M20 X 2.5	ECROU NYLON M20 X 2.5	

# 24A - ADDITIONAL OUTPUT / SORTIE ADDITIONNELLE



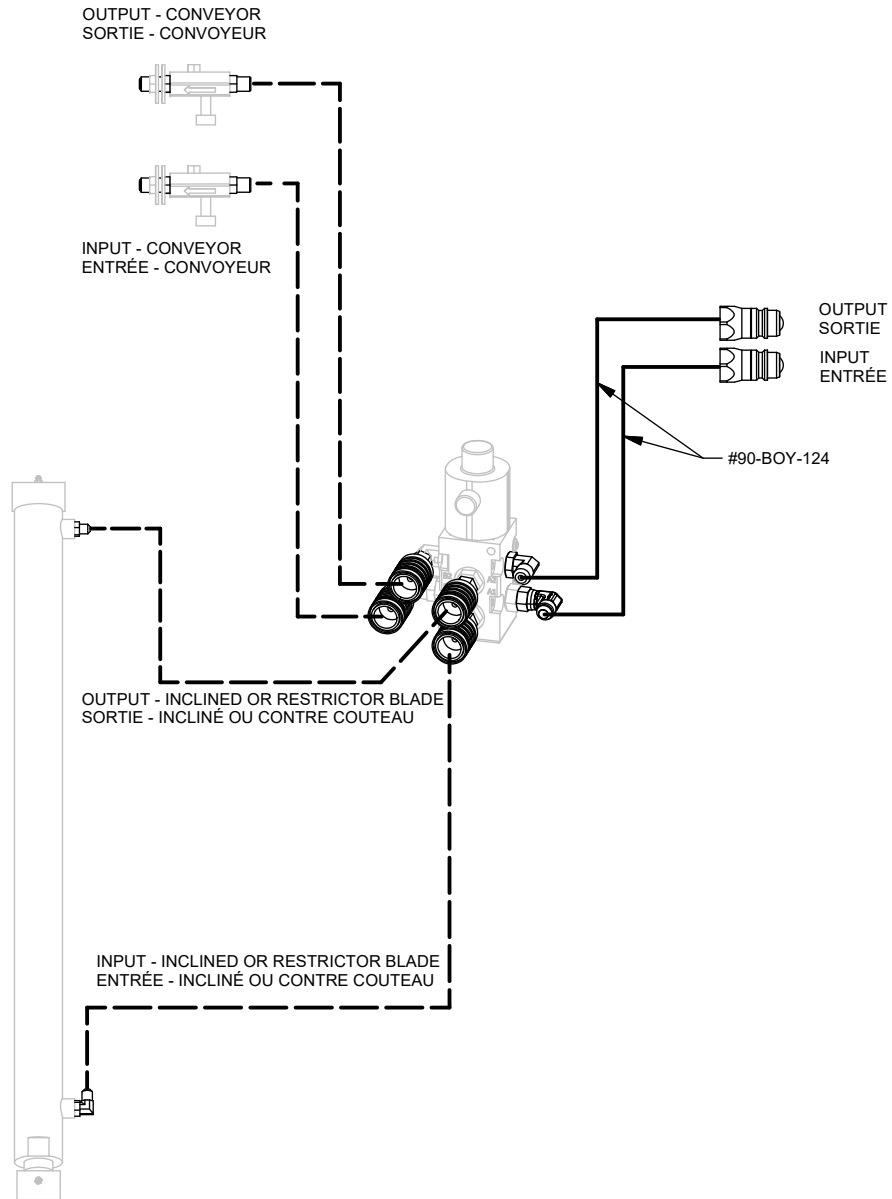
# 24A - ADDITIONAL OUTPUT / SORTIE ADDITIONNELLE



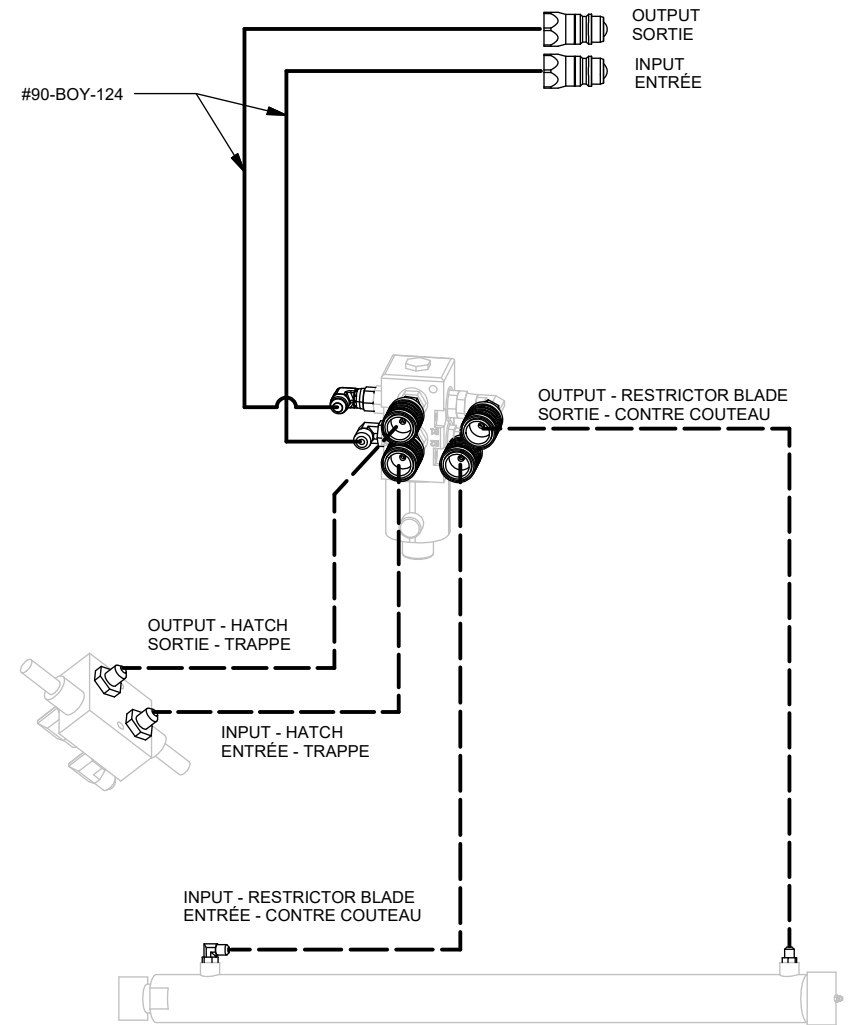
ITEM	QT	PART/PIECE	ENGLISH DESCRIPTION	DESCRIPTION FRANCAISE	NOTE
1	2	501031	HEX NYLON LOCKNUT GR5 5/16-18 Z	ÉCROU NYLON IND HEX GR5 5/16-18 Z	
2	2	500042	HEX BOLT GR5 5/16-18 X 3/4	BOULON HEX GR5 5/16-18 X 3/4	
3	1	091-HYD-AH	HOSE CLAMP PLATE	PLAQUE DE SUPPORT DE BOYAU	
4	3	470051	DOUBLE HOSE HOLDER 21.3mm (0.84")	SUPPORT BOYAU DOUBLE 21.3mm (0.84")	
5	1	234083	SELECTOR VALVE SUPPORT	ATTACHE VALVE SÉLECTRICE	
6	2	452000	HYDRAULIC FITTING	ADAPTEUR HYDRAULIQUE	
7	1	450381	8 F.NPSM - 8 M.NPT 90°	8 F.NPSM - 8 M.NPT 90°	
8	3	451097	10 M.ORB - 8 M.NPT	10 M.ORB - 8 M.NPT	
9	4	452001	QUICK COUPLER 1/2 F	RACCORD RAPIDE 1/2 F	
10	1	450164	10 M.ORB - 8 M.NPT 90°	10 M.ORB - 8 M.NPT 90°	
11	1	451266	8 M.JIC - 10 M.ORB 90°	8 M.JIC - 10 M.ORB 90°	
12	1	451179	8 M JIC - 10 M ORB	8 M JIC - 10 M ORB	
13	1	450955	5506-08-08	5506-08-08	
14	1	465930	HYDRAULIC VALVE	VALVE HYDRAULIQUE	
15	2	234186	SELECTOR VALVE SUPPORT	ATTACHE VALVE SÉLECTRICE	
16	2	500055	HEX BOLT GR5 5/16-18 X 2 1/2	BOULON HEX GR5 5/16-18 X 2 1/2	
17	2	501031	HEX NYLON LOCKNUT GR5 5/16-18 Z	ÉCROU NYLON IND HEX GR5 5/16-18 Z	
19	3	320009-3	PIPE CLAMP	SUPPORT BOYAU	
20	1	315278	DOUBLE SWITCH	INTERRUPTEUR DOUBLE	
21	1	315273	POWER EXTENSION CABLE	FIL RALLONGE D'ALIMENTATION	
22	1	240142	POWER SUPPLY 25 amp	PRISE DE COURANT 25 amp	

# 24B - ADDITIONAL OUTPUT / SORTIE ADDITIONNELLE

## 1 OUTPUT / 1 SORTIE



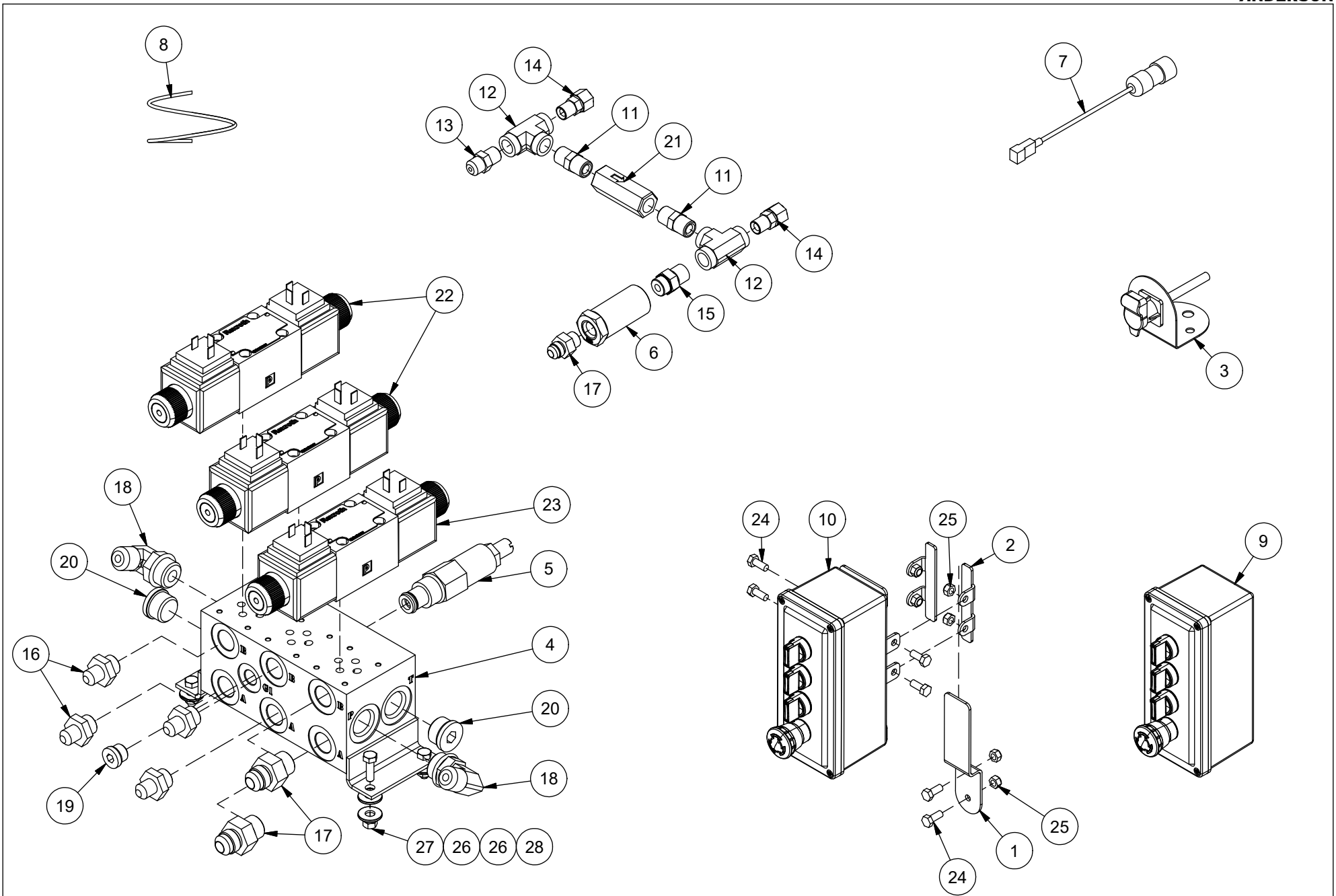
## 2 OUTPUTS / 2 SORTIES







# 25A - MANUAL HYDRAULIC CONTROL / COMMANDE HYDRAULIQUE MANUELLE

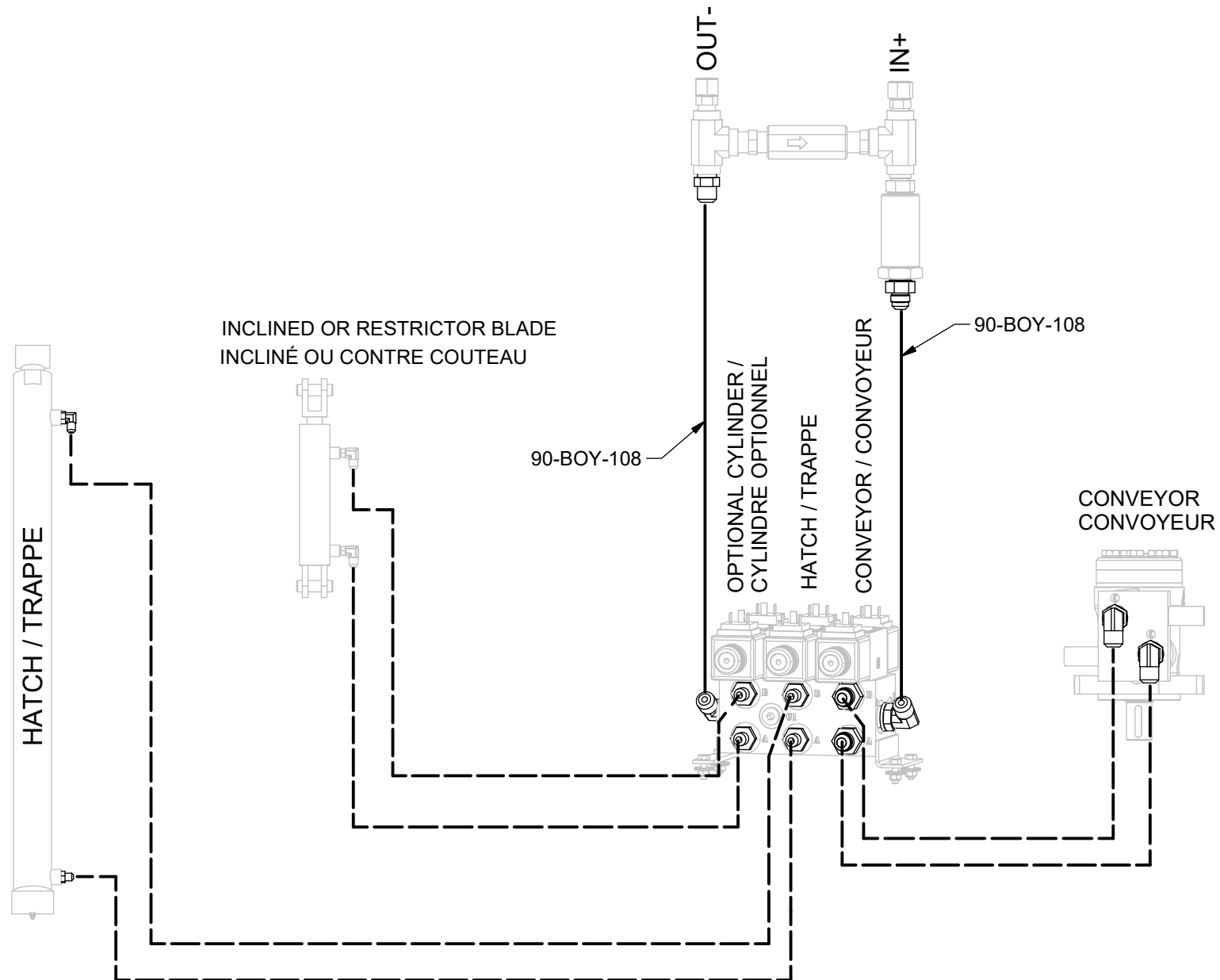


# 25A - MANUAL HYDRAULIC CONTROL / COMMANDE HYDRAULIQUE MANUELLE



ITEM	QT	PART/PIECE	ENGLISH DESCRIPTION	DESCRIPTION FRANCAISE	NOTE
1	1	234083	SELECTOR VALVE SUPPORT	ATTACHE VALVE SÉLECTRICE	
2	2	234186	SELECTOR VALVE SUPPORT	ATTACHE VALVE SÉLECTRICE	
3	1	240142	POWER SUPPLY 25 amp	PRISE DE COURANT 25 amp	
4	1	250021	VALVE MANIFOLD	BLOC VALVE	
5	1	250022	RELIEF VALVE	LIMITEUR DE PRESSION	
6	1	250025	FILTER HPJ 1666	FILTRE HPJ 1666	
7	1	315273	POWER EXTENSION CABLE	FIL RALLONGE D'ALIMENTATION	
8	1	315365	CONTROL CABLE	CABLE DE CONTROLE	
9	1	315366	CONTROLE BOX 4 HOLES	MANETTE DE CONTROLE 4 TROUES	
10	1	315367	CONTROL BOX 4 HOLES	MANETTE DE CONTROLE 4 TROUES	
11	2	450008	HYDRAULIC FITTING	ADAPTEUR HYDRAULIQUE	
12	2	450243	8 F.NPT	8 F.NPT	
13	1	450548	8 M JIC - 8 M NPT	8 M JIC - 8 M NPT	
14	2	450996	8 F.JIC - 8 M.NPT	8 F.JIC - 8 M.NPT	
15	1	451095	8 M.ORB -8 M.NPT	8 M.ORB -8 M.NPT	
16	4	451172	6 M JIC - 8 M ORB	6 M JIC - 8 M ORB	
17	3	451178	8 M.JIC - 8 M.ORB	8 M.JIC - 8 M.ORB	
18	2	451266	8 M.JIC - 10 M.ORB 90°	8 M.JIC - 10 M.ORB 90°	
19	1	451354	PLUG 6 M. ORB	PLUG 6 M. ORB	
20	2	451356	PLUG ORB 10	BOUCHON ORB 10	
21	1	465879	CHECK VALVE	VALVE ANTI-RETOUR	
22	2	466701	HYDRAULIC VALVE	VALVE HYDRAULIQUE	
23	1	466702	HYDRAULIC VALVE	VALVE HYDRAULIQUE	
24	6	500042	HEX BOLT GR5 5/16-18 X 3/4	BOULON HEX GR5 5/16-18 X 3/4	
25	6	501031	HEX NYLON LOCKNUT GR5 5/16-18 Z	ÉCROU NYLON IND HEX GR5 5/16-18 Z	
26	8	502002	FLAT WASHER 1/4 Z	RONDELLE PLATE 1/4 Z	
27	4	506050	HEX NUT M6 X 1	ECROU NYLON M6 X 1	
28	4	506124	HEX. BOLT M6 X 1 X 20mm CL8.8	BOULON HEX. M6 X 1 X 20mm CL8.8	

# 25B - MANUAL HYDRAULIC CONTROL / COMMANDE HYDRAULIQUE MANUELLE





**ANDERSON**



**GROUPE ANDERSON**

5125 de la Plaisance  
Chesterville (Québec)  
CANADA G0P 1J0

Email : [support@grpanderson.com](mailto:support@grpanderson.com)  
Tel. : 1-819-382-2952  
Fax. : 1-819-382-2218  
[www.grpanderson.com](http://www.grpanderson.com)