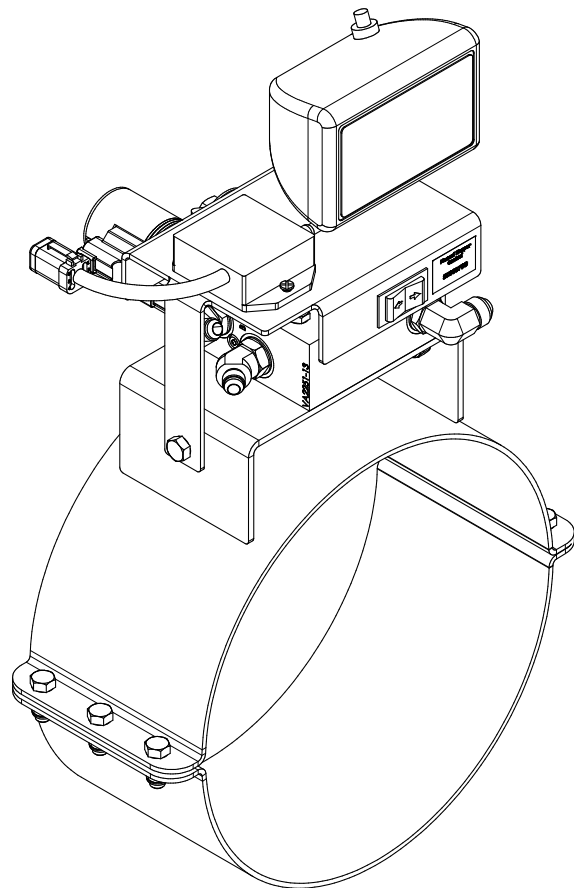


Farm King

OPERATOR AND PARTS MANUAL

Remote Control Swing Auger Kit

For use with Kits SZ103032, SZ103836, Y1104, and Y1304 & Y1412TMM Auger



SZ000862

Table of Contents

Operation	4
• Safety	5
• Recharging.....	6
• Indicator Lights	6
• Teach ID Code.....	7
• Cloning Transmitters	7
Assembly.....	8
Parts	12
• 10" Elec/Hyd Hopper Kit.....	12
• 10" Elec/Hyd Hopper Kit Parts List	13
• 12" Elec/Hyd Hopper Kit	14
• 12" Elec/Hyd Hopper Kit Parts List	15
• 13" Elec/Hyd Hopper Kit	16
• 13" Elec/Hyd Hopper Kit Parts List	17
• 14" Elec/Hyd Hopper Kit	18
• 14" Elec/Hyd Hopper Kit Parts List	19
Options.....	20

Manufacturer's statement: for technical reasons Buhler Industries Inc. reserves the right to modify machinery design and specifications provided herein without any preliminary notice. Information provided herein is of descriptive nature. Performance quality may depend on soil fertility, applied agricultural techniques, weather conditions and other factors.

Operation Instructions

1. Connect the plug to the Auxiliary Power port of the tractor. If the tractor is not equipped with an Auxiliary Power port, an optional power plug is available. The optional power plug will attach directly to the battery of the tractor. Turn the remote on by pressing the power button until both the red and green LEDs turn on. The green LED will flash rapidly when communication has been established with the receiver.

Notice: This kit is equipped for open- and closed-center hydraulic systems. Press the appropriate marked side of the open/close switch for the system your tractor has. Consult the operator's manual or your local dealer to determine the type of system your tractor has. Open-center is to be used on open-center, load sense, or power beyond equipped tractors. Closed-center is to be used on closed-center tractors.

2. Attach the hoses to the tractor, turn the appropriate tractor hydraulic flow control to minimum flow, activate the proper tractor hydraulic circuit and lock the tractor control lever into position. The tractor must have continuous hydraulic flow to the hopper control valve.
3. To move the hopper, depress the green or red arrows on the remote after turning the remote on, or depress the Left/Right manual switch above the valve block.

Notice: hydraulic oil flow from the tractor is controlled by a one-way check valve. If the hopper does not move with hopper control valve activated, reverse the flow from the tractor by switching the hoses at the tractor outlet or reversing the position of the tractor hydraulic control lever.

Notice: This optional powered wheel is not designed to push grain, rocks, dirt etc. when in use. The area the hopper moves over must be reasonably clear of all obstructions. If the wheels spin or the hopper "stalls out", this is an indication that there is an obstruction to the hopper movement.



WARNING

Crushing Hazard: Failure to follow these guidelines may cause injury or death to the operator and/or bystanders.

Safety

1. Always check the area the hopper will swing through. Do not operate the hopper power swing if any people, animals or machinery will obstruct the motion of the hopper. The hopper can push, pinch, crush, knock down or run over the operator and/or bystanders if this instruction is not followed.
2. The operator of the hopper power swing control is the **ONLY** person to be in the area the hopper will swing through. Never operate the hopper power swing if anyone in addition to the operator is attempting to guide the hopper into position.
3. Never allow the hopper swing to guide the operator and/or bystanders into dangerous situations (i.e. rotating drives, auger flighting, moving vehicles etc.)
4. Never attempt to move the hopper by hand. Always use manual or remote controls of the electric/hydraulic kit.
5. Never lock manual control switch in a powered position. Manual control switch must always be allowed to return to a neutral position.



WARNING

Escaping high pressure hydraulic fluid can cause serious injury or death. Never check for hydraulic leaks using any part of the human body. Oil injection can occur, causing serious injury.

Recharging

Plug the charging connector into the port at the top of the transmitter (remote control). Observe orientation and do not use force. A solid red LED indicates battery is charging. Once the internal battery is fully charged, the red LED will turn off and the green LED will turn on. A fully discharged unit will take up to 3 hours to recharge.

Indicator Lights

The transmitter has two LED indicators, the red BATTERY/DIAGNOSTIC indicator and the green TRANSMIT indicator. The green TRANSMIT indicator flashes rapidly whenever there is communication between the transmitter and the receiver. The red BATTERY/DIAGNOSTIC indicator starts blinking once every second when the battery voltage is low and requires charging. It also blinks when there is a problem with the system in the form of an error code. Refer to the ERROR CODE CHART for the definitions of the codes.

Receiver Error Code Chart	
Error Code	Probable Cause
1	RF communication problem
2	Faulty circuit to right solenoid
3	Faulty circuit to left solenoid
4	Null
5	Faulty circuit to dump solenoid

Transmitter Error Code Chart	
Error Code	Probable Cause
1	Low battery
2	Faulty circuit to right solenoid
3	Faulty circuit to left solenoid
4	Null
5	Faulty circuit to dump solenoid

NOTE: To check for low battery, turn the receiver off by unplugging the power and leave the transmitter on. If the transmitter red LED continues to blink, the battery is low and requires charging. If the red LED blinks only when the receiver is on, count the number of blinks and refer to the ERROR CODE CHART tables for additional information.

NOTE: The red LED will stay on while charging and when the charge is completed the green LED will stay on.

NOTE: It will take longer to charge if the transmitter is on during charging.

Teach ID Code

To synchronize a new transmitter and receiver together, refer to the provided illustration and use the following procedure:

1. Remove receiver cover.
2. Apply power to the receiver.
3. Place a jumper across the TEACH ID jumper inside the receiver. Both green and red LEDs will toggle inside the receiver. Remove the jumper and store it on one pin.
4. To get the transmitter into TEACH ID mode, press and hold the POWER button until both lights turn on, continue holding for 10 seconds until transmitter's green and red LEDs toggle.
5. Release the POWER button and wait for 1 second or until the green and red LEDs stop toggling and green light starts blinking rapidly.
6. Teach complete.
7. Replace the cover on the receiver.

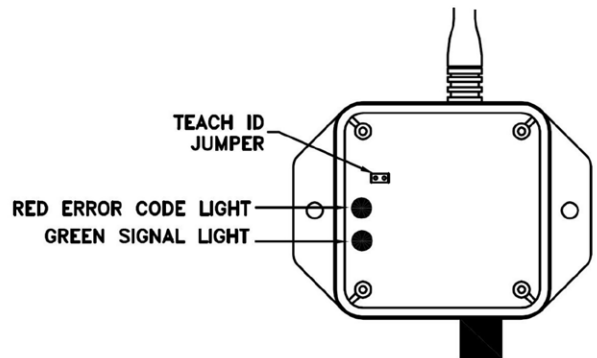
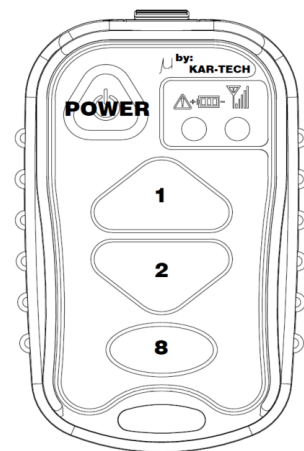


FIG. 1: RECEIVER WITH COVER REMOVED

Cloning Transmitters

To clone a new transmitter to work with an existing receiver and transmitter use the following procedure:

1. On transmitter A (the master):
 - a. Press the POWER button for more than 10 seconds
 - b. At this point, both LEDs will blink. Release the POWER button.
2. On transmitter B (the clone):
 - a. Press the POWER button, button 1, and button 2 simultaneously
 - b. At this point, both LEDs will blink. Release all buttons.
3. Wait for 1 second or until the green and red LEDs stop blinking on both units.
4. Turn both transmitters off.
5. Synchronize one of the transmitters to the receiver using the TEACH ID CODE instructions. Synchronization must be done anytime a clone is made.



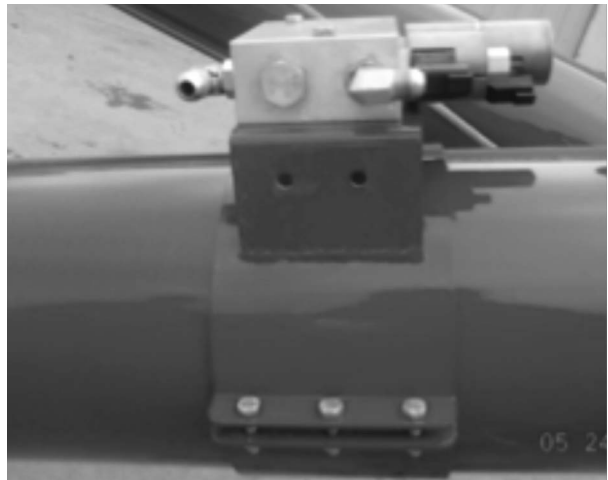
Warning: Cloning multiple transmitters can pose a safety risk. Hopper may move without notice if other transmitter is unintentionally activated. To reduce risk turn transmitter off when not in use.

Assembly Instructions

1. Left and right will be determined as you are looking at the hopper from the drive section end of the main auger.



2. Lower the hopper onto the ground. Place the valve and valve mount assembly on the discharge tube. The solenoid coils should be pointed in the direction of the drive section.



3. Use the 5/16" x 1" (8 x 25 mm) Grade 5 bolts with 5/16" (8 mm) locknuts to fasten the half clamp to the valve mount. Wait to fully tighten the bolts.



4.
 - a. Take the right hopper hose and place into port A on the valve block. Take the left hopper hose and place into port B on the valve block. The valve block is imprinted with the corresponding designations for the ports.
 - b. Move the valve towards the drive section of the auger as far as the hopper motor hoses will allow.
 - c. Tighten the valve mount



5. Place the tractor hoses into ports P and T of the valve.



6. Bolt the work light to the switch bracket. The light will face the same direction as the "Left/Right" rocker switch.



7. a. Place the switch bracket over the valve mount. Place the wiring harness end marked "Left" in the top coil of the double stacked coils. Place the wiring harness end marked "Right" in the bottom coil of the double stacked coils. The bottom coil is the coil located nearest to the aluminum valve manifold. Place the wiring harness end marked "Dump" into the single coil. Connect the light to the wiring harness end marked "Hopper Light". Connect the receiver to the wiring harness end marked "Master Receiver". Tuck any excess wire under the switch bracket. Take care to not pull the wires too tight, so as to not damage the wiring harness.



- b. Use the 3/8" x 3/4" (10 x 19 mm) Grade 5 bolts with 3/8" (10 mm) locknuts to fasten the switch bracket to the valve mount. The work light and "Left/Right" switch should be facing the hopper.



8. Route the power line up towards the tractor. Take care to keep the power line away from pinch and rotating hazards. Snap the power plug harness into the main harness end marked "Power Connector". Connect plug to Auxiliary Power port in the tractor.

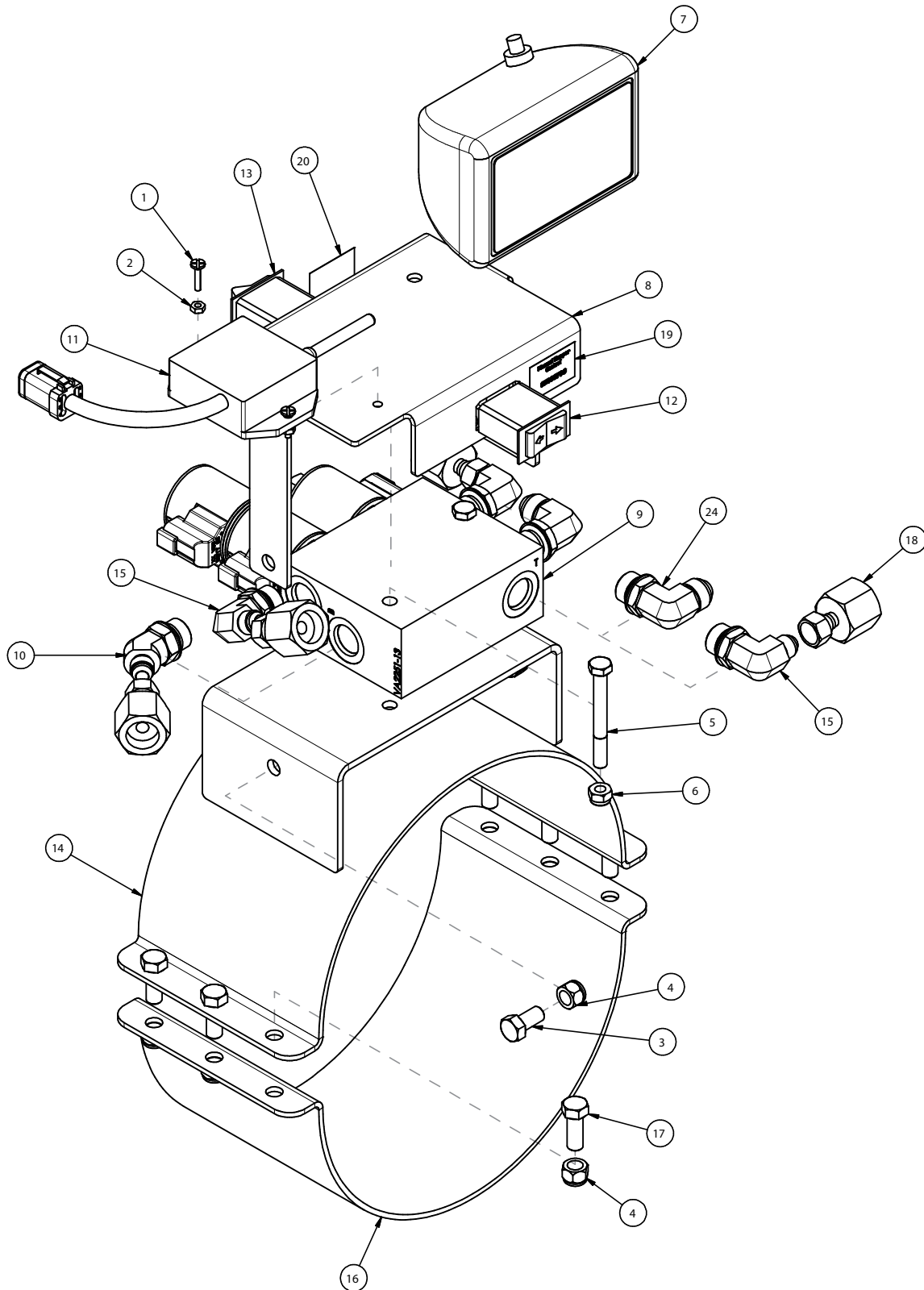
Notice: Hydraulic oil flow from the tractor is controlled by a one-way check valve. If the hopper does not move with the hopper control valve activated, reverse the flow from the tractor by switching the hoses at the tractor outlet or reversing the position of the tractor hydraulic control lever. Do not remove the check valve, pressurizing the wrong end of the hopper control valve can cause damage.



WARNING

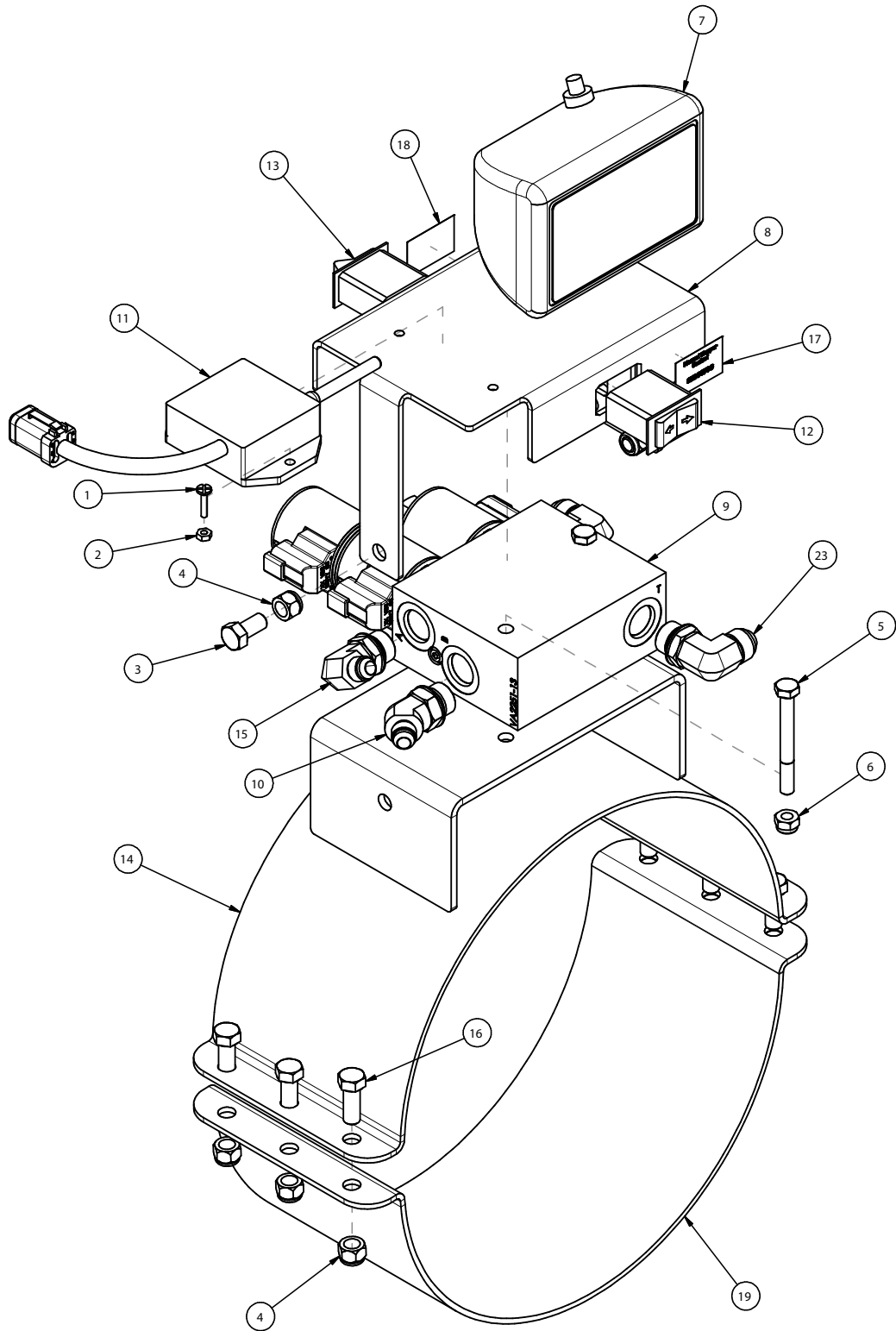
Escaping high pressure hydraulic fluid can cause serious injury or death. Never check for hydraulic leaks using any part of the human body. Oil injection can occur, causing serious injury.

10" Elec/Hyd Hopper Kit



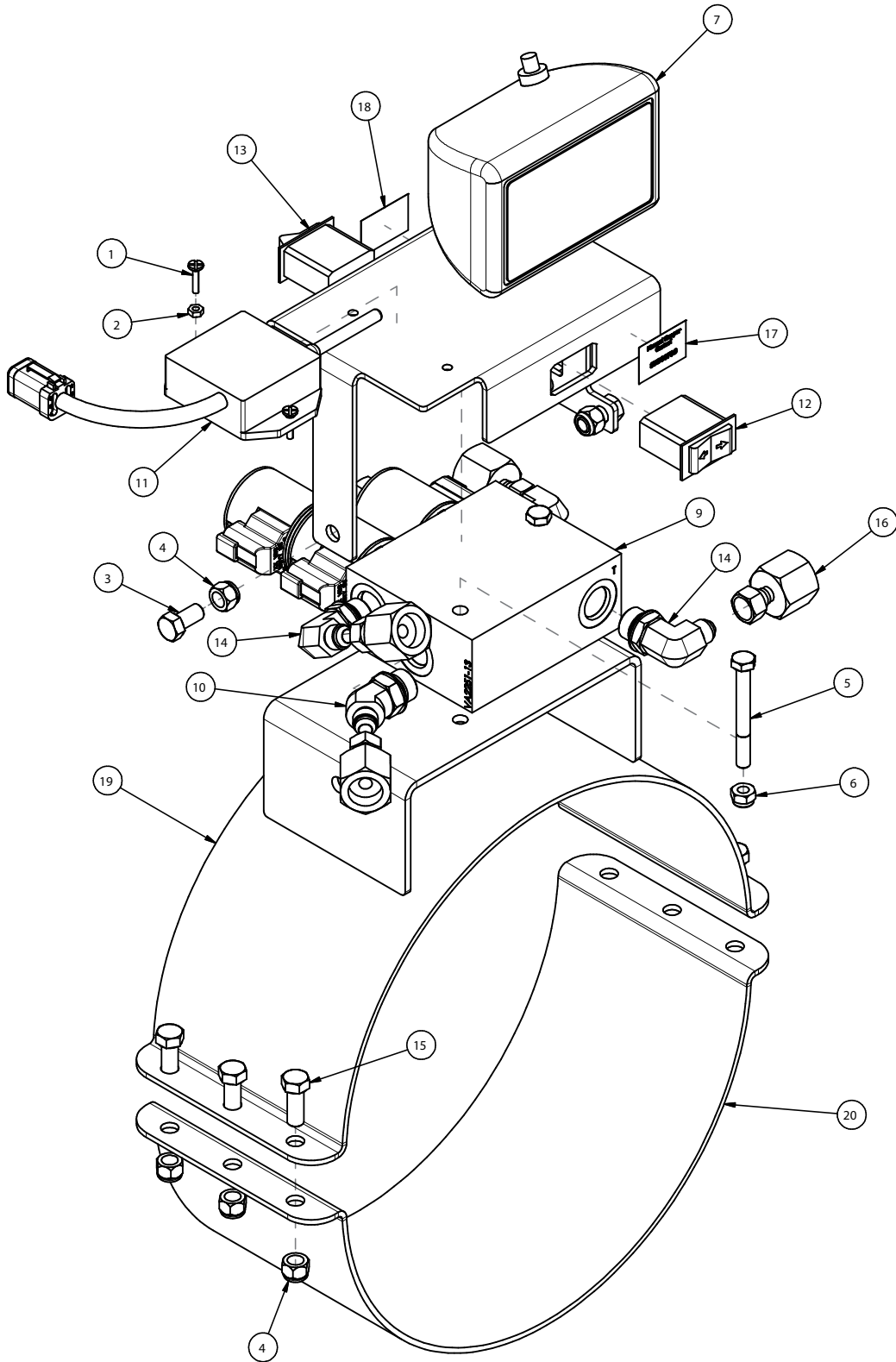
Item	Part Number	Description	Qty
1	813958	Screw Mach #8-32 x 0.75 Flatd	2
2	812537	Nut Lock (Nylon) 0.136 Nc GrB (PI)	2
3	SZ126063	Blt HHCS, 3/8" - 16UNC, 3/4" G5	3
4	SZ125030	Nut Lock 3/8" - 16UNC, Nylock	9
5	SZ126056	Blt HHCS 5/16" - 18UNC, 2-3/4" Gr2	2
6	SZ125035	Nut Lock, 5/16" - 18UNC, Nylock G5	2
7	86038018	Worklight - Push Button Switch	1
8	SZ000791	Elec/Hyd Switch Bracket	1
9	SZ000789	Elec/Hyd Valve Block	1
10	SZ000790	Ftg 45 06MJ 08MB 1/32ORF	1
11	SZ000792	Kar-Tech Receiver Bundle	1
12	SZ000796	Left/Right Switch	1
13	SZ000759	Open/Close Switch	1
14	SZ000795	10" Remote Hopper Valve Mount	1
15	SZ000799	Ftg 90 06MJIC 08MOB (Use all 3 for 1050, 1060, 1070) (Use 1 for 1062, 1072, 1082)	3
16	SZ2031210	Half Clamp 10" 3-Bolt	1
17	SZ126158	Blt HHCS 3/8 - 16UNC 1-1/4" G5	6
18	SZ000856	Ftg Str 06SWFJIC 1/2FNPT (1050, 1060, 1070)	4
19	SZ000798	Decal - Manual Hopper Control	1
20	SZ000797	Decal - Tractor Hydraulic System	1
21	SZ000783	Elec/Hyd Remote Hppr Harness	1
22	SZ000787	Elec/Hyd Remote Hppr Plug Pwr Harness	1
23	SZ000862	Elec/Hyd Remote Hppr Instruction Manual	1
24	SZ000781	Ftg 90 08MOB 08MJIC (1062, 1072, 1082)	2

12" Elec/Hyd Hopper Kit



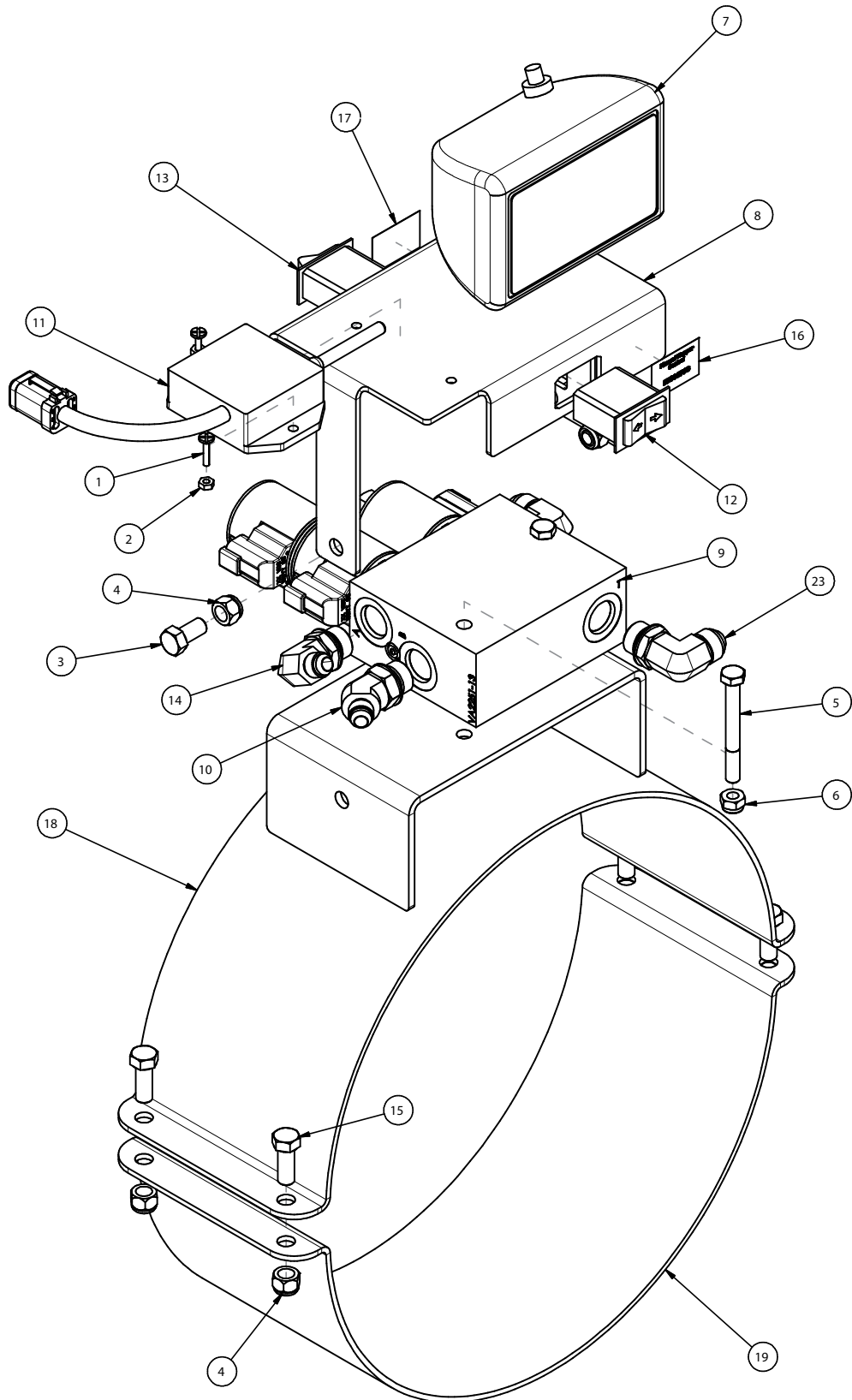
Item	Part Number	Description	Qty
1	813958	Screw Mach #8-32 x 0.75 Flatd	2
2	812537	Nut Lock (Nylon) 0.136 Nc GrB (PI)	2
3	SZ126063	Blt HHCS, 3/8" - 16UNC, 3/4" G5	3
4	SZ125030	Nut Lock 3/8 - 16UNC, Nylock	9
5	SZ126056	Blt HHCS 5/16 - 18UNC, 2-3/4" Gr2	2
6	SZ125035	Nut Lock, 5/16" - 18UNC, Nylock G5	2
7	86038018	Worklight - Push Button Switch	1
8	SZ000791	Elec/Hyd Switch Bracket	1
9	SZ000789	Elec/Hyd Valve Block	1
10	SZ000790	Ftg 45 06MJ 08MB 1/32ORF	1
11	SZ000792	Kar-Tech Receiver Bundle	1
12	SZ000796	Left/Right Switch	1
13	SZ000759	Open/Close Switch	1
14	SZ000857	12" Valve Mount	1
15	SZ000799	Ftg 90 06MJIC 08MOB	1
16	SZ126158	Blt HHCS 3/8 - 16UNC 1-1/4" G5	6
17	SZ000798	Decal - Manual Hopper Control	1
18	SZ000797	Decal - Tractor Hydraulic System	1
19	SZ000742	12" 3 Bolt Half Clamp	1
20	SZ000783	Elec/Hyd Remote Hppr Harness	1
21	SZ000787	Elec/Hyd Remote Hppr Plug Pwr Harness	1
22	SZ000862	Elec/Hyd Remote Hppr Instruction Manual	1
23	SZ000781	Ftg 90 08MOB 08MJIC	2

13" Elec/Hyd Hopper Kit (13" Augers with Power Mover Only -Y1304)



Item	Part Number	Description	Qty
1	813958	Screw Mach #8-32 x 0.75 Flathd	2
2	812537	Nut Lock (Nylon) 0.136 Nc GrB (PI)	2
3	SZ126063	Blt HHCS, 3/8" - 16UNC, 3/4" G5	3
4	SZ125030	Nut Lock 3/8" - 16UNC, Nylock	9
5	SZ126056	Blt HHCS 5/16" - 18UNC, 2-3/4" Gr2	2
6	SZ125035	Nut Lock, 5/16" - 18UNC, Nylock G5	2
7	86038018	Worklight - Push Button Switch	1
8	SZ000791	Elec/Hyd Switch Bracket	1
9	SZ000789	Elec/Hyd Valve Block	1
10	SZ000790	Ftg 45 06MJ 08MB 1/32ORF	1
11	SZ000792	Kar-Tech Receiver Bundle	1
12	SZ000796	Left/Right Switch	1
13	SZ000759	Open/Close Switch	1
14	SZ000799	Ftg 90 06MJIC 08MOB	3
15	SZ126158	Blt HHCS 3/8 - 16UNC 1-1/4" G5	6
16	SZ000856	Ftg Str 06SWFJIC 1/2FNPT	4
17	SZ000798	Decal - Manual Hopper Control	1
18	SZ000797	Decal - Tractor Hydraulic System	1
19	SZ000853	13" Valve Mount	1
20	SZ000780	13" 3 Bolt Half Clamp	1
21	SZ000783	Elec/Hyd Remote Hppr Harness	1
22	SZ000787	Elec/Hyd Remote Hppr Plug Pwr Harness	1
23	SZ000862	Elec/Hyd Remote Hppr Instruction Manual	1

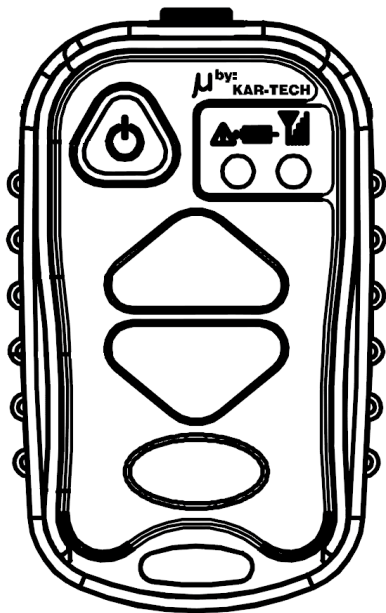
14" Elec/Hyd Hopper Kit



Item	Part Number	Description	Qty
1	813958	Screw Mach #8-32 x 0.75 Flatd	2
2	812537	Nut Lock (Nylon) 0.136 Nc GrB (PI)	2
3	SZ126063	Blt HHCS, 3/8" - 16UNC, 3/4" G5	3
4	SZ125030	Nut Lock 3/8" - 16UNC, Nylock	7
5	SZ126056	Blt HHCS 5/16" - 18UNC, 2-3/4" Gr2	2
6	SZ125035	Nut Lock 5/16" - 18UNC, Nylock G5	2
7	86038018	Worklight - Push Button Switch	1
8	SZ000791	Elec/Hyd Switch Bracket	1
9	SZ000789	Elec/Hyd Valve Block	1
10	SZ000790	Ftg 45 06MJ 08MB 1/32ORF	1
11	SZ000792	Kar-Tech Receiver Bundle	1
12	SZ000796	Left/Right Switch	1
13	SZ000759	Open/Close Switch	1
14	SZ000799	Ftg 90 06MJIC 08MOB	1
15	SZ126158	Blt HHCS 3/8 - 16UNC 1-1/4" G5	4
16	SZ000798	Decal - Manual Hopper Control	1
17	SZ000797	Decal - Tractor Hydraulic System	1
18	SZ000860	14" Valve Mount	1
19	SZ2031403	Half Clamp 14" 2-Bolt Painted	1
20	SZ000783	Elec/Hyd Remote Hppr Harness	1
21	SZ000787	Elec/Hyd Remote Hppr Plug Pwr Harness	1
22	SZ000862	Elec/Hyd Remote Hppr Instruction Manual	1
23	SZ000781	Ftg 90 08MOB 08MJIC	2

Options

Part Number	Description	Qty
SZ000788	Battery Direct Power Harness	1
SZ000793	Kar-Tech 3 Button Remote	1
SZ000921	12V Remote Charger	1



SZ000793

www.farm-king.com

Farm King

1330 43rd Street NW
Fargo, ND USA 58102
Ph.: 701.282.7014 | Fax: 701.282.5865
Toll Free: 888.524.1004
E-mail: info@buhler.com
www.farm-king.com

Equipment shown is subject to change without notice.
©2013 Buhler Trading Inc. Printed in USA. TSX:BUI

bühler | a division of Buhler Industries Inc.