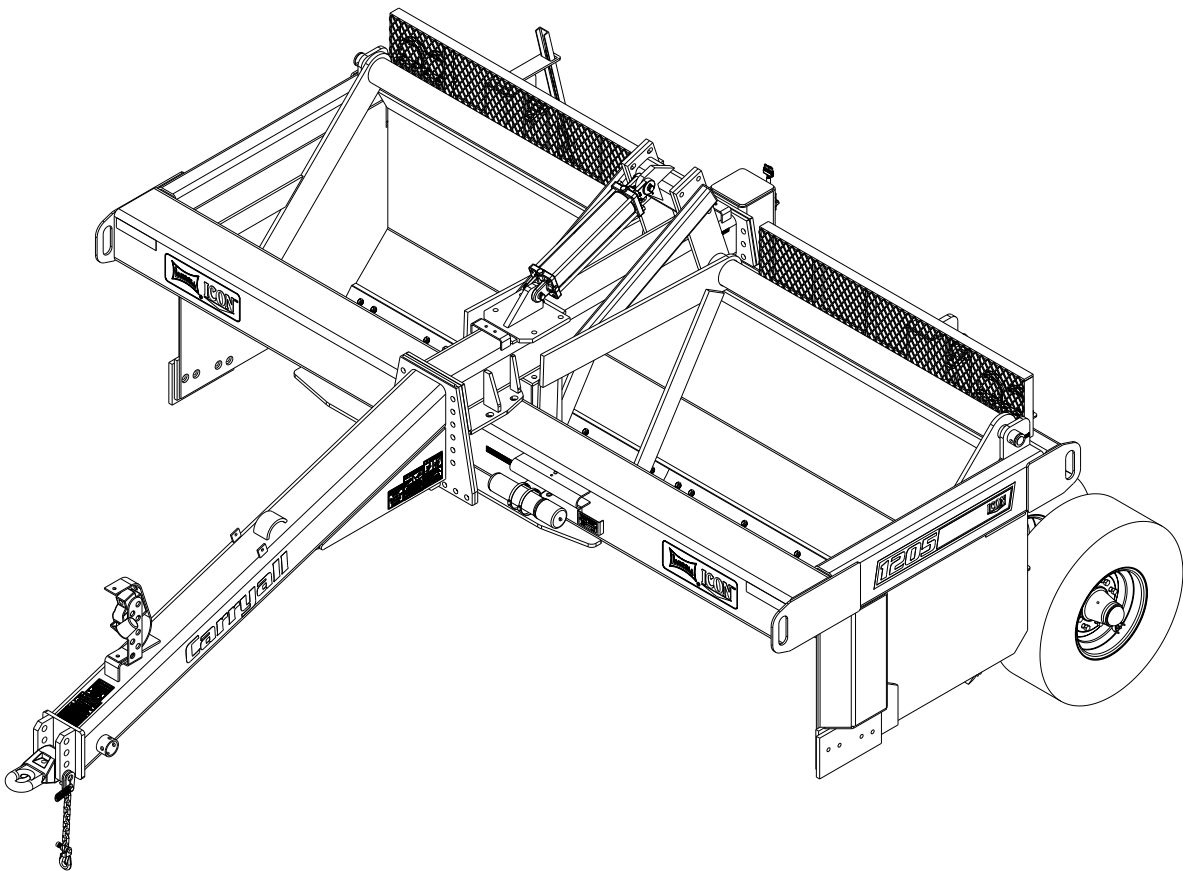




Model 1205 Carry All Service and Parts Manual



LANDOLL CORPORATION

1900 North Street

Marysville, Kansas 66508

(785) 562-5381

800-428-5655 ~ WWW.LANDOLL.COM

Literature Information

This information should be stored in the literature holder located on the machine.

This manual contains safety information, operating instructions, lubrication and maintenance information.

Some of the photographs or illustrations in the publication show details that can differ slightly from your personal machine. Shields and covers may have been removed to allow for illustrations.

Constant improvement and knowledge of product design may cause changes to your personal machine that is not listed in this manual. Read, understand, and keep this manual with the machine to aid in repairs, adjustment, service and parts identification.

Whenever a question arises regarding your machine, or this manual, please contact Product Support for assistance.

Safety

The safety section of this manual lists basic safety precautions. In addition, this section shows the location of safety signs and decals used on this machine.

Read and understand the basic precautions listed in the safety section before operating or performing lubrication, maintenance or repair work on this machine.

NOTE: Before any service or repair work is performed, make certain that all safety stops are in place.

Be certain to remove all safety stops when repairs are complete.

Operation

This operation section is a reference guide for the new operator and a refresher for the experienced operator. Operating techniques shown are basic, skill and technique will increase with knowledge and usage of the machine.

Maintenance

The maintenance section is a guide to machine care. The illustrated step by step procedures covers the most important of the maintenance schedule. Regular routine lubrication is described in less detail.

Maintenance Intervals

Normally, all lubrication should be on a daily basis. However, certain locations only require lubrication on a weekly basis or require a specific quantity. These locations will be marked clearly, showing and describing requirements.

Under extremely severe, dusty/wet/sandy conditions, or if the haul is long and rough, more frequent lubrication and inspection of highly stressed areas is recommended.

Index

Safety Information

Product Warranty

Standard Specifications

Hook Up & Operation

Parts Listing

Parts And Bolt Location

Bolt Listing

Hydraulics

Decal Listing

Safety Information

Introduction

This manual is compiled as a guide for owners and operators of the Carry All. Read it carefully so as to be able to follow the suggestions made. Please take time to understand the proper maintenance schedule and SAFE operation of your equipment.

In the event that a new and inexperienced operator is placed in charge of running the equipment, they should read and understand, that part of the manual for proper maintenance and SAFE operation, and to be trained in regard by an experienced operator.

Owner Assistance

If customer service or repairs are needed, contact your Icon dealer. They have trained personnel, parts and service equipment specially designed for Icon products. Your machine's parts should only be replaced with Icon parts. Have the Serial Number and complete Model Number available when ordering parts from your Icon dealer (**See Figure 2-1.**)

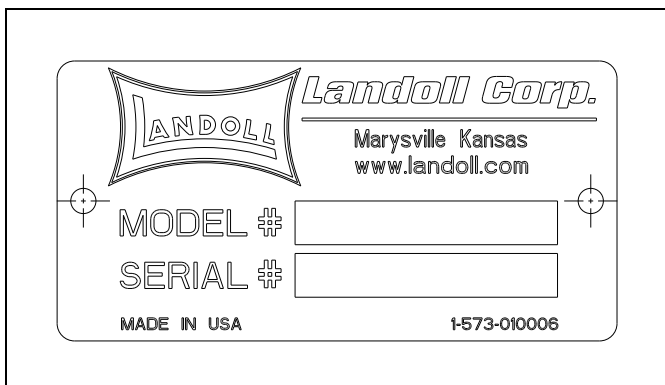


Figure 2-1: ID Plate

Warranty Registration

Be certain to register the grader, by Online registration at www.landoll.com within 10 days of purchase or lease, in order to be on file at Landoll and eligible for Warranty.

Take time to read and understand the Warranty for this product. That Warranty is printed in the Owner's Manual (**See Figure 2-2**), and a separate copy enclosed in the packet.

ICON/Landoll reserves the right to make changes and/or add improvements to its products at any time without obligation to previously manufactured equipment.

Please take time to complete the following information for your personal reference, should you need to contact your Dealer with questions or parts needs.

MODEL _____

SERIAL # _____

DATE OF PURCHASE _____

DEALER NAME _____

We at ICON/Landoll wish to thank you for purchasing our product. We have spent considerable time and effort to research, design, test and develop this machine and are confident it will serve you in the use for which it was designed.

LANDOLL CORPORATION

Product Warranty

LANDOLL CORPORATION 1600 W. 8th St. Beloit KS 67420
(referred to as LANDOLL in this document)

LANDOLL shall Warrant workmanship and materials on the **ICON Farm Products** for a period of 12 months from the date of original purchase, lease, or rental, from the original Dealer, and in accordance with the following terms and conditions.

Should any part or component fail within the Warranty period, and under normal use conditions, LANDOLL shall supply a new part or component for replacement through the original Dealer. Cost of normal ground freight, for that part or component to the Dealer, shall be paid by LANDOLL. Repair and replacement labor cost, from the original Dealer, shall be paid by LANDOLL at a rate negotiated by LANDOLL.

No further expense shall be paid by LANDOLL, including but not limited to, loss of time or income.

LANDOLL shall not provide Warranty on any part or component that has failed due to abuse, misuse, alteration, improper maintenance, or normal wear. Failure occurring while being pulled by a tractor in excess of engine horsepower, as described in the owners manual and/or posted on the machine, is considered abuse and misuse and shall not receive Warranty. Warranty applies only to normal, intermittent agricultural use, and not commercial or industrial use.

In regard to some components manufactured by other companies and sold by LANDOLL, including but not limited to tires, said Warranty shall be provided solely by that manufacturing company.

This Warranty applies to products sold in the United States and Canada, and is made expressly in place of all other warranties, expressed or implied.

Figure 2-2: Product Warranty

Understanding Safety Statements

You will find various types of safety information on the following pages and on the machine decals (signs) attached to the implement. This section explains their meaning.

NOTICE

Special notice - read and thoroughly understand.



CAUTION

Proceed with caution. Failure to heed caution may cause injury to person or damage product.



WARNING

Proceed with caution. Failure to heed warning will cause injury to person or damage product.



DANGER

Proceed with extreme caution. Failure to heed notice will cause injury or death to person and/or damage product.

NOTE

Means that failure to follow these instructions could cause damage to the equipment or cause it to operate improperly.

NOTE

Make sure you read and understand the information contained in this manual and on the machine signs (decals) before you attempt to operate or maintain this vehicle.

The safety statements contained in this manual relate to the operation of the Grader.

NOTE

You should read and understand the information contained in this manual and on the machine decals before you attempt to operate or maintain this equipment.

- Examine safety decals and be sure you have the correct safety decals for the machine. Order replacement decals through your Icon dealer.
- Keep these signs clean so they can be observed readily. It is important to keep these decals cleaned more frequently than the machine. Wash with soap and water or a cleaning solution as required.
- Replace decals that become damaged or lost. Also, be sure that any new machine components installed during repair include decals which are assigned to them by the manufacturer.
- When applying decals to the machine, be sure to clean the surface to remove any dirt or residue. Where possible, sign placement should protect the sign from abrasion, damage, or obstruction from mud, dirt, oil etc.



DANGER

- **Keep Riders Off of Machinery**
- **Do not allow anyone to ride on tractor or machine. Riders could be struck by foreign objects or thrown from the machine.**
- **Never allow children to operate equipment.**
- **Keep bystanders away from machine during operation.**

Safety Decals

See Decal Listing for decal locations.

NOTE

Replace all missing or damaged safety signs/decals.

Pinching or Crushing Danger

1. Moving parts that are operated by hydraulic pressure can cause serious injury or death.
2. Use extreme caution when working around any moving part.
3. Do not allow any person to be on or near the machine while it is in motion.

Moving Parts

1. Be aware of all moving parts of the machine.
2. Do not allow anyone to be near, or on the machine while operating any moving part.

Danger

1. Read and understand the operator's manual before using the machine.
2. Allow no person to operate the machine before reading the manual and being instructed on proper operation.

Caution

1. This machine is designed for off road use only.

Danger, High Pressure

1. High pressure fluid can cause serious damage to hands and eyes.
2. Carefully relieve pressure before attempting any
3. adjustments.
4. Tighten all fittings before applying pressure.

NOTE

*If fluid is sprayed into eyes or injected into skin, **see a doctor immediately!***

Lubrication

1. Lubrication information is placed near each zerk.
2. Proper maintenance should be followed to assure the working life of the machine.

Proper Notification

1. Contact the proper authorities before you dig.
2. When digging in a populated area, it is recommended that a call be made to area utilities to establish the local of any buried pipes, lines, or structures. When digging in open areas, research and know the local of any underground structures and objects.
3. Striking the blades or bits against buried objects can cause damage to the machine, and is considered as abuse to the unit.

Storage Recommendations

NOTE

If the machine is being stored or not in use for a long period of time, it is recommended that a coating of heavy grease be applied to the exposed chrome cylinder rods. This will help to protect the coating from moisture and rust during this time.

Standard Specifications

Model Specification

Specification	
	Model 1205
Capacity Struck	4.25 yd
Capacity Heaped	5.5yd
Shipping Weight	7,450lbs
Width of Cut	12'
Overall Width	12' - 10"
Shipping Width	8' - 6"
Replaceable Cutting Edge	1/2" X 6" X 6'
Ground Clearance Full Raised	18"
Maximum Cut Depth	6"
Length Overall	16' - 10"
Cylinders Lift/Tilt	4.5" X 16"
Cylinders Lift/ Tilt	4" X 16"
Cylinders Gate	4" X 16"
Hydraulic Hoses	3,000 psi rated
Hitches	Pintle Style
Grease Locations	10 total
Safety Warning Lights	Standard LED
Hub & Spindle	8 Bolt 6,500lbs.

Tire Inflation

Tire Size	Tire Manufacturer	Ply/Load Rating	Inflation Pressure (Psi) (Max.)
12.5L X 15	Good Year or equivalent	12 Ply,3860LBS. @ 20MPH	52psi

Recommended Torque Specification For Lug Bolts and Nuts

Bolt Size	Torque (FT. LBS.)
9/16-16	80-90 ft. lbs.

General Torque Specifications (rev. 4/97)

TORQUE SPECIFIED IN FOOT POUNDS - This chart provides tightening torques for general purpose applications when special torques are not specified on process or drawing. Assembly torques apply to plated nuts and cap-screws assembled without supplemental lubrication (as received condition). They do not apply if special graphite moly-disulfide or other extreme pressure lubricants are used. When fasteners are dry (solvent cleaned) add 33% to as received condition torque. Bolt head identification marks indicate grade and may vary from manufacturer to manufacturer. Thick nuts must be used on grade 8 cap-screws. Use value in [] if using prevailing torque nuts.

UNC SIZE	SAE Grade 2	SAE Grade 5	SAE Grade 8	UNF SIZE	SAE Grade 2	SAE Grade 5	SAE Grade 8
1/4-20	4 [5]	6 [7]	9 [11]	1/4-28	5 [6]	7 [9]	10 [12]
5/16-18	8 [10]	13 [13]	18 [22]	5/16-24	9 [11]	14 [17]	20 [25]
3/8-16	15 [19]	23 [29]	35 [42]	3/8-24	17 [21]	25 [31]	35 [44]
7/16-14	24 [30]	35 [43]	55 [62]	7/16-20	27 [34]	40 [50]	60 [75]
1/2-13	35 [43]	55 [62]	80 [100]	1/2-20	40 [50]	65 [81]	90 [112]
9/16-12	55 [62]	80 [100]	110 [137]	9/16-18	60 [75]	90 [112]	130 [162]
5/8-11	75 [94]	110 [137]	170 [212]	5/8-18	85 [106]	130 [162]	180 [225]
3/4-10	130 [162]	200 [250]	280 [350]	3/4-16	150 [188]	220 [275]	320 [400]
7/8-9	125 [156]	320 [400]	460 [575]	7/8-14	140 [175]	360 [450]	500 [625]
1-8	190 [237]	408 [506]	680 [850]	1-14	210 [263]	540 [675]	760 [950]
1-1/8-7	270 [337]	600 [750]	960 [1200]	1-1/8-12	300 [375]	660 [825]	1080 [1350]
1-1/4-7	380 [475]	840 [1050]	1426 [1782]	1-1/4-12	420 [525]	920 [1150]	1500 [1875]
1-3/8-6	490 [612]	1010 [1375]	1780 [2225]	1-3/8-12	560 [700]	1260 [1575]	2010 [2512]
1-1/2-6	650 [812]	1460 [1825]	2360 [2950]	1-1/2-12	730 [912]	1640 [2050]	2660 [3325]
1-3/4-5	736 [920]	1651 [2063]	2678 [3347]	1-3/4-12	920 [1150]	2063 [2579]	3347 [4183]

METRIC:
Coarse thread metric class 10.9 fasteners and class 10.0 nuts and through hardened flat washers, phosphate coated, Rockwell "C" 38-45. Use value in [] if using prevailing torque nuts.

Nominal thread diameter (mm)	Newton Meters (Standard Torque)	Foot Pounds (Standard Torque)	Nominal Thread Diameter (mm)	Newton Meters (Standard Torque)	Foot Pounds (Standard Torque)
6	10 [14]	7 [10]	20	385 [450]	290 [335]
7	16 [22]	12 [16]	24	670 [775]	500 [625]
8	23 [32]	17 [24]	27	980 [1105]	730 [825]
10	46 [60]	34 [47]	30	1330 [1470]	990 [1090]
12	80 [125]	60 [75]	33	1790 [1950]	1340 [1450]
14	125 [155]	90 [115]	36	2325 [2515]	1730 [1870]
16	200 [240]	150 [180]	39	3010 [3210]	2240 [2380]
18	275 [330]	205 [245]	-----	-----	-----

Table 3-1: General Torque Specifications

Hydraulic Fitting Torque Specifications

TORQUE IS SPECIFIED IN FOOT POUNDS- 37° JIC, ORS, & ORB (REV. 10/97)

This chart provides tightening torques for general purpose applications when special torques are not specified on process or drawing. Assembly torques apply to plated nuts and capscrews assembled without supplemental lubrication (as received condition). They do not apply if special graphite moly-disulfide or other extreme pressure lubricants are used. When fasteners are dry (solvent cleaned) add 33% to as received condition torque. Bolt head identification marks indicate grade and may vary from manufacturer to manufacturer. Thick nuts must be used on grade 8 capscrews. Use value in [] if using prevailing torque nuts.


Parker Brand Fittings			
Dash Size	37 Degree JIC	O-Ring (ORS)	O-Ring Boss (ORB)
-4	11-13	15-17	13-15
-5	14-16	-----	21-23
-6	20-22	34-36	25-29
-8	43-47	58-62	40-44
-10	55-65	100-110	58-62
-12	80-90	134-146	75-85
-16	115-125	202-218	109-121
-20	160-180	248-272	213-237
-24	185-215	303-327	238-262
-32	250-290	-----	310-340
Gates Brand Fittings			
Dash Size	37 Degree JIC	O-Ring (ORS)	O-Ring Boss (ORB)
-4	10-11	10-12	14-16
-5	13-15	-----	-----
-6	17-19	18-20	24-26
-8	34-38	32-40	37-44
-10	50-56	46-56	50-60
-12	70-78	65-80	75-83
-14	-----	65-80	-----
-16	94-104	92-105	111-125
-20	124-138	125-140	133-152
-24	156-173	150-180	156-184
-32	219-243	-----	-----
Aeroquip Brand Fittings			
Dash Size	37 Degree JIC	O-Ring (ORS)	O-Ring Boss (ORB)
-4	11-12	10-12	14-16
-5	15-16	-----	16-20
-6	18-20	18-20	24-26
-8	38-42	32-35	50-60
-10	57-62	46-50	75-80
-12	79-87	65-70	125-135
-14	-----	-----	160-180
-16	108-113	92-100	200-220
-20	127-133	125-140	210-280
-24	158-167	150-165	270-360
-32	245-258	-----	-----

Table 3-2: Hydraulic Fitting Torque Specifications

Section 02

Hookup and Operation



The  utilizes three hydraulic valves on the tractor, allowing it to function in three different directions. The Carry All has the ability to raise to a clearance from bit to ground of 18 inches while lowering to a negative cut. It can tilt from corner to corner approximately 15 degrees to accomplish slope cuts and ditching. The third action is the clam function. All three of these functions can be done on the go, or while the unit is stopped.

Color coded tie straps and markers are attached at the tip end of the hoses to identify the 6 hydraulic lines on the machine. Black tie is the raise and lower of the blade. White tie is the clam function. Yellow is the tilt of the bowl. The Carry All uses 5 hoses, with a Tee installed in the body tilt line. This allows one cylinder to control the function.

NOTE: The tilt function is more responsive and easier to set, if the machine is lowered to approximately 1/2 way. This allows both cylinders to have some free travel to adjust.

Hookup of the hydraulic hoses to the remote can be done in any way to suit individual needs. The following method is suggested: Raise/Lower of the blade to #1 valve. Clam function to #2, and bowl tilt to #3. Hook up so push of the valve is lower and pull of the valve is to raise the blade.

WARNING! Before Use, be certain that the cylinder stops are removed .

Be patient for the first few hours of learning to operate the unit. Time and experience will produce expert results. Any type of blade machine has the tendency to create a “washboard” effect if grading is done with too much speed. Slow down and do the job right. The second tendency of any blade machine is to side draft if the blade is cutting deep and enough power is applied. Practice centering the cut on the blade to balance the draft. Operating at a higher speed may not get the job done quicker, and may provide less than quality results.

This model is designed to be pulled with a maximum of 140hp . Additional horsepower will shorten the life of the machine and will alter the Warranty. Responsible operation and proper maintenance will provide many hours of expert results and a durable machine.

Caution

This machine is not intended for highway use, it should be used off road only.

If public roadway travel is necessary, be certain of regulations concerning width, lighting, and safety chain requirements.

The tongue assembly is bolted on, and is removable for ease of transportation. It uses (16) 7/8 x 2 1/2" hex bolts, hard flat washers and hex nuts, and the top (6) are 7/8 x 3 1/2" to allow for the extra plate of the bolt on top cylinder support.



Carry All 1205



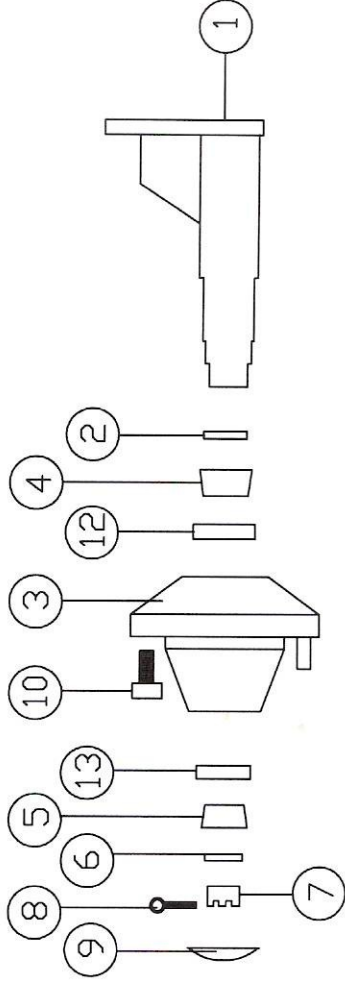
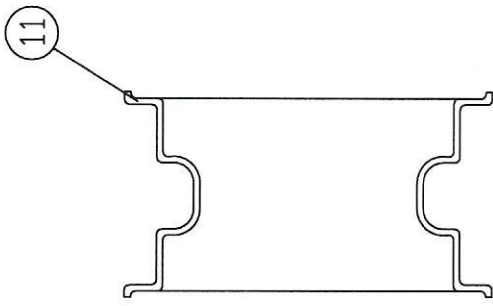
Hubs are GRA1966 (4), they are 8 bolt, rated at 6500 lbs.

Tires are 4000086, 12.5 x 15, ten ply. mounted on 4000005 10 x 15 rims
Should be inflated to 35psi

Axle Supports are ICO02062L & R

The hubs are bolted to the axle supports, using 3/4 x 6 1/2" gr. 8 bolts.

GRA1966



- | | | |
|-----|---------------------------|---------|
| 1. | Axle assembly..... | GRA1545 |
| 2. | Hub Seal..... | 4000009 |
| 3. | Hub Assembly, 8 bolt..... | 4000008 |
| 4. | Inner Bearing..... | 4000010 |
| 5. | Outer Bearing..... | 4000013 |
| 6. | Washer, Flat 2 1/2 ... | WF2.5 |
| 7. | Nut, Slotted 1" fine..... | NS 1" |
| 8. | Cotter Pin 5/32x2..... | PC |
| 9. | Dust Cap..... | 4000128 |
| 10. | Lug Bolts 9/16..... | 4000020 |
| 11. | Rim, 10x15..... | 4000005 |
| 12. | Inner Race..... | 4000014 |
| 13. | Outer Race..... | 4000095 |





Shown are the (5) hydraulic hoses.
Note the Tee in the tilt circuit.

The hose stand is ICO0004

It is attached with (2) 1/2 x 1 1/2" bolts
and nyloc nuts, flat washers.

The hoses are clamped with
(1) 1/2 x 2 1/2" bolt, nyloc nut, and flat
washer.

Hydraulic Ends are 5000981 (6)



The clam cylinder is 4000026 (4 x 16)

Cylinder pins are GRA1600

Front Cylinder Mount
SCR2026



Carry All 1205



Carry All 1205



Carry All 1205

The clam SCR2063 pivots on (2) 1 1/2" pins. SCR2066 is 6" and SCR2070 is 84". The long (84") pin should be installed in the right side (from behind machine), due to an inner guide tube welded in to aid in the insertion of the pin. The pins are secured with 1/2" x 3" bolts, and nyloc nuts.



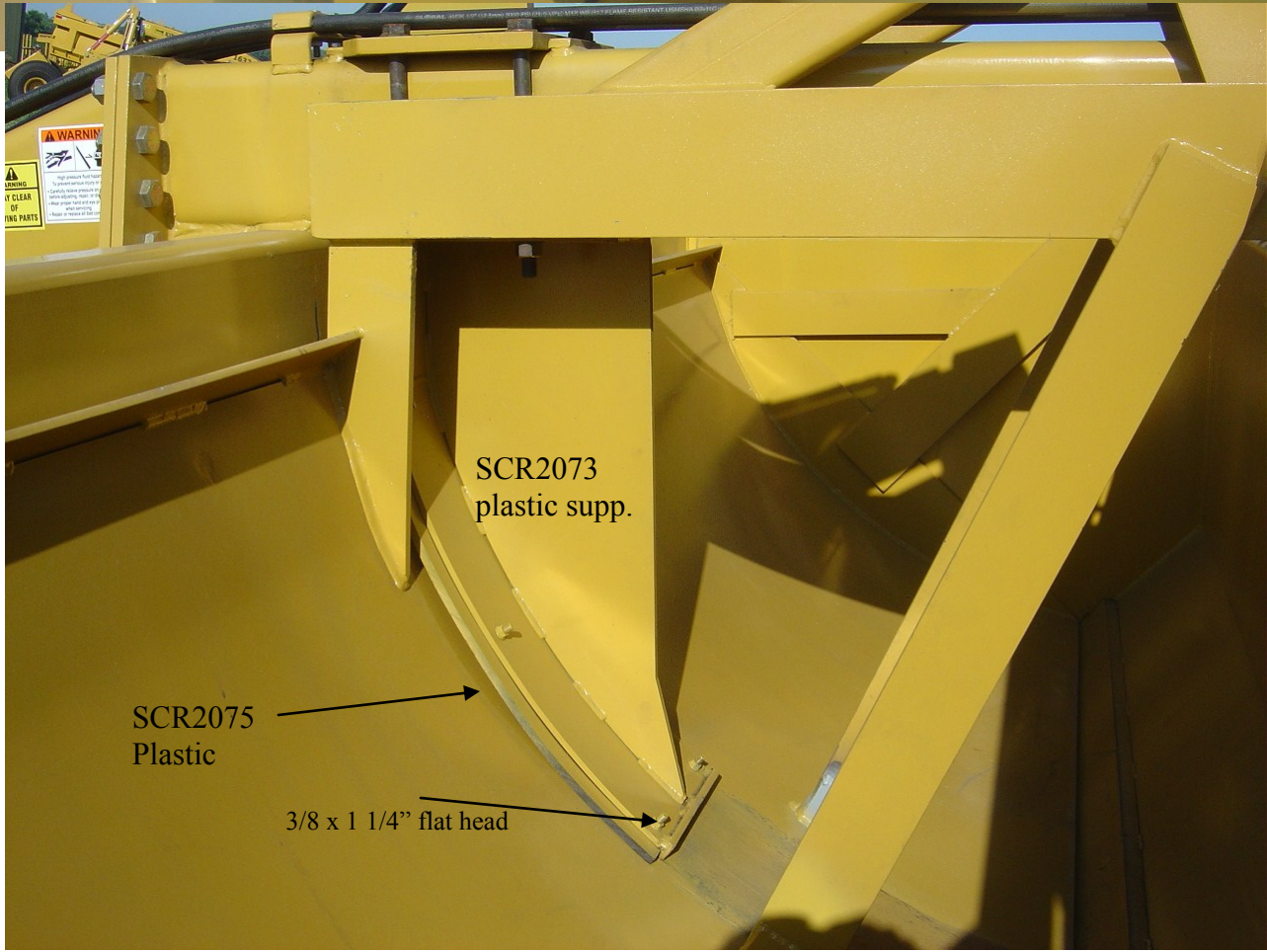
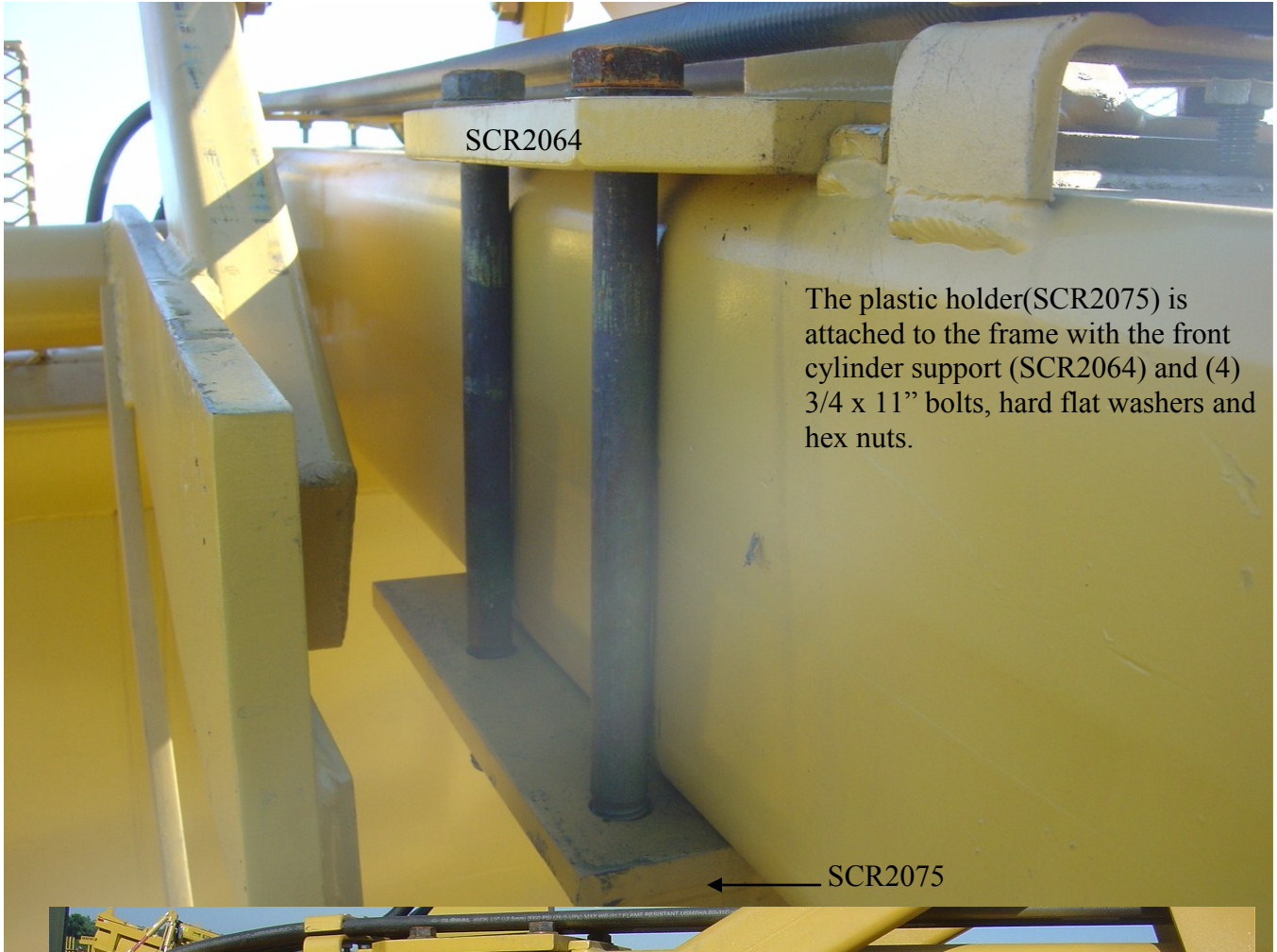
SCR2066



SCR2073 Plastic Support and
SCR2075 Plastic

Clam SCR2063

Carry All 1205



Carry All 1205



Carry All 1205



The hitch used on the Carry All 1205 is a pintel style 4001501, rated at 68,800 lbs. It is attached to the tongue using (2) 1 x 7 1/2" bolts, hard flat washers and nyloc nuts.

A bolt on, optional top strap 4001503 is available for use on tractors without a hammer strap on the drawbar.



Part #	Description	Qty
4000125	Cutting Edges 6'DBC245600	2
5001197	Hyd. Fitting Kit	1
SCR2026	Cylinder Mount	1
5001184	Hyd. Hose Kit	1
ICO2283	Box Frame	1
ICO2287	Hitch Frame	1
ICO2288	Tongue Frame	1
ICO0004	Hose Stand	1
SCR2062R	Axle Support (right)	1
SCR2062L	Axle Support (left)	1
SCR2063	Clam	1
SCR2064	Cylinder Support	1
4000086	Tire, 12.5 x 15 - 10 ply	4
4000005	Rim, 10 x 15, 8 bolt	4
GRA1966	Hub, 8 bolt 65# hub & axle assembly	4
4000135	Hyd. Manifold Block 7070170	1
4000136	Hyd. Check Valve - CV10200N70	2
4000371	Hyd. Cylinder 4 1/2 x 16 PMS-2548	1
4000100	Hyd. Cylinder 4 x 16 PMS-2554	1
4000026	Hyd. Cylinder 4 x 16	1
SCR2073	Plastic Support	1
SCR2075	Plastic	1
SCR2072	Depth Gauge	1
GRA1600	Cylinder Pin	6
4000359	Side Router Bits	2
GRA1421	Hyd. Line Clamp	5
SCR2065	Axle Support Pin	2
SCR2066	Clam Pin (short 6")	1
2000643	Bolt Kit	1
ICO2275	Cylinder Stop (16")	3
SCR2070	Clam Pin (long 84")	1
2000629	Decal Kit	1
4000419	Manual Holder	1
2000634	Light Kit	1
4001503	Cast Hitch U Clevis	1
4001501	Pintel Hitch Cast	1
ICO1117	Pin, Spacer 7/8"	1
4001536	Jack, 7,000 #	1
4000150	Bushing, 125100100	6
4001537	Chain, Safety 21,000#	1
4000067	Zerk, Straight 1/8	4
4000552	Zerk, 45 deg	2

Carry All 1205 Bolt Listing

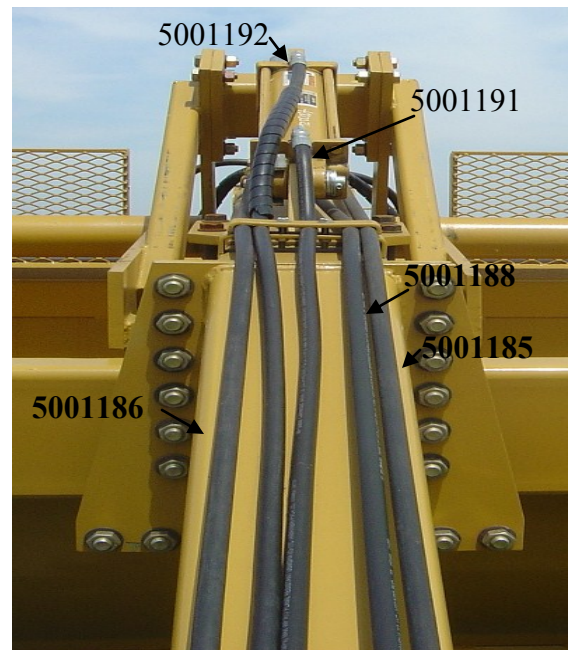
2000632

Part #	Description and Location	Qty
Hub To Axle Support		
BH 3/4 x 6 1/2"	Bolt, Hex 3/4 x 6 1/2" gr 8	6
WFH 3/4	Washer, Flat, Hard 3/4"	12
NH 3/4	Nut, Hex 3/4" gr 8	6
Cyl. Support To Gate		
BH 3/4 x 2 1/2"	Bolt, Hex 3/4 x 2 1/2" gr 8	8
WFH 3/4	Washer, Flat, Hard 3/4"	8
NH 3/4	Nut, Hex 3/4" gr 8	8
Hitch Frame To Main Frame		
BH 7/8 x 2 1/2"	Bolt, Hex 7/8 x 2 1/2" gr 8	20
WFH 7/8	Washer, Flat, Hard 7/8"	20
NH 7/8	Nut, Hex 7/8" gr 8	20
Hitch Frame To Main Top Frame		
BH 7/8 x 3 1/2"	Bolt, Hex 7/8 x 3 1/2" gr 8	6
WFH 7/8	Washer, Flat, Hard 7/8"	6
NH 7/8	Nut, Hex 7/8" gr 8	6
Cyl. Mount To Plastic Support		
BH 3/4 x 11"	Bolt, Hex 3/4 x 11" gr 8	4
WFH 3/4	Washer, Flat, Hard 3/4"	8
NH 3/4	Nut, Hex 3/4" gr 8	4
Cutting Edges		
BP 5/8 x 2 1/2"	Bolt, Plow 5/8 x 2 1/2" gr 5	16
WFH 5/8	Washer, Flat, Hard 5/8"	16
NH 5/8	Nut, Hex 5/8" gr 8	16
Plastic To Plastic Support		
BF 3/8 x 1 1/4"	Bolt, FHCS 3/8 x 1 1/4"	6
NL 3/8	Nut, Nylock 3/8" gr 2	6
Side Router Bits		
BH 5/8 x 2"	Bolt, Hex 5/8 x 2" gr 8	8
WFH 5/8	Washer, Flat, Hard 5/8"	8
NH 5/8	Nut, Hex 5/8" gr 8	8
Depth Gauge		
BH 1/2 x 3 1/2"	Bolt, Hex 1/2 x 3 1/2" gr 5	1
NL 1/2	Nut, Nyloc 1/2" gr 2	1
Pintle Hitch		
BH 1 x 7 1/2"	Bolt, Hex 1 x 7 1/2" gr 8	2
WFH 1	Washer, Flat, Hard 1"	2
NL 1	Nut, Nyloc 1" gr 5	2
Top Frame To Main Frame		
BH 1 x 12"	Bolt, Hex 1 x 12" gr 8	2
WFH 1	Washer, Flat, Hard 1"	2
NH 1	Nut, Hex 1" gr 8	2

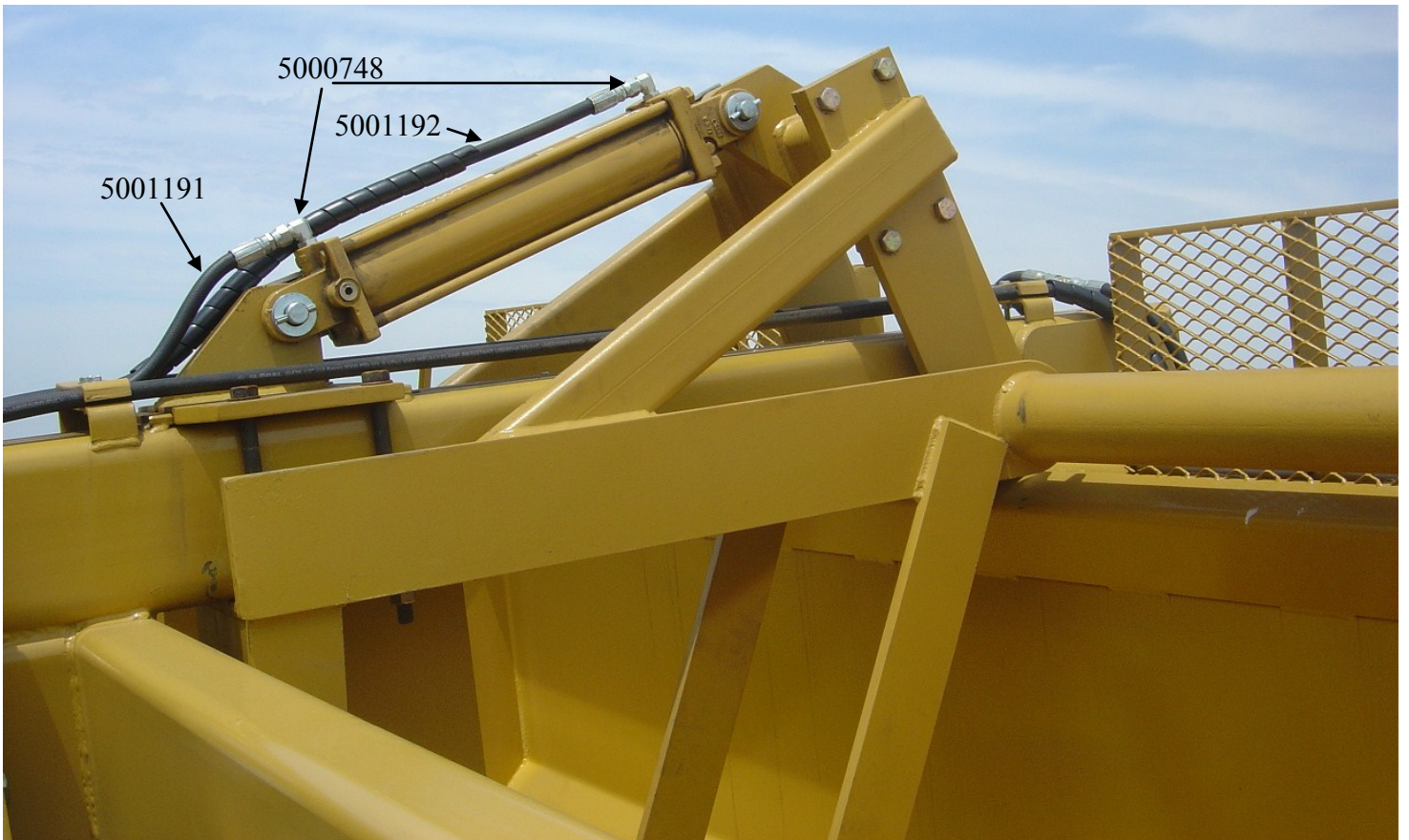
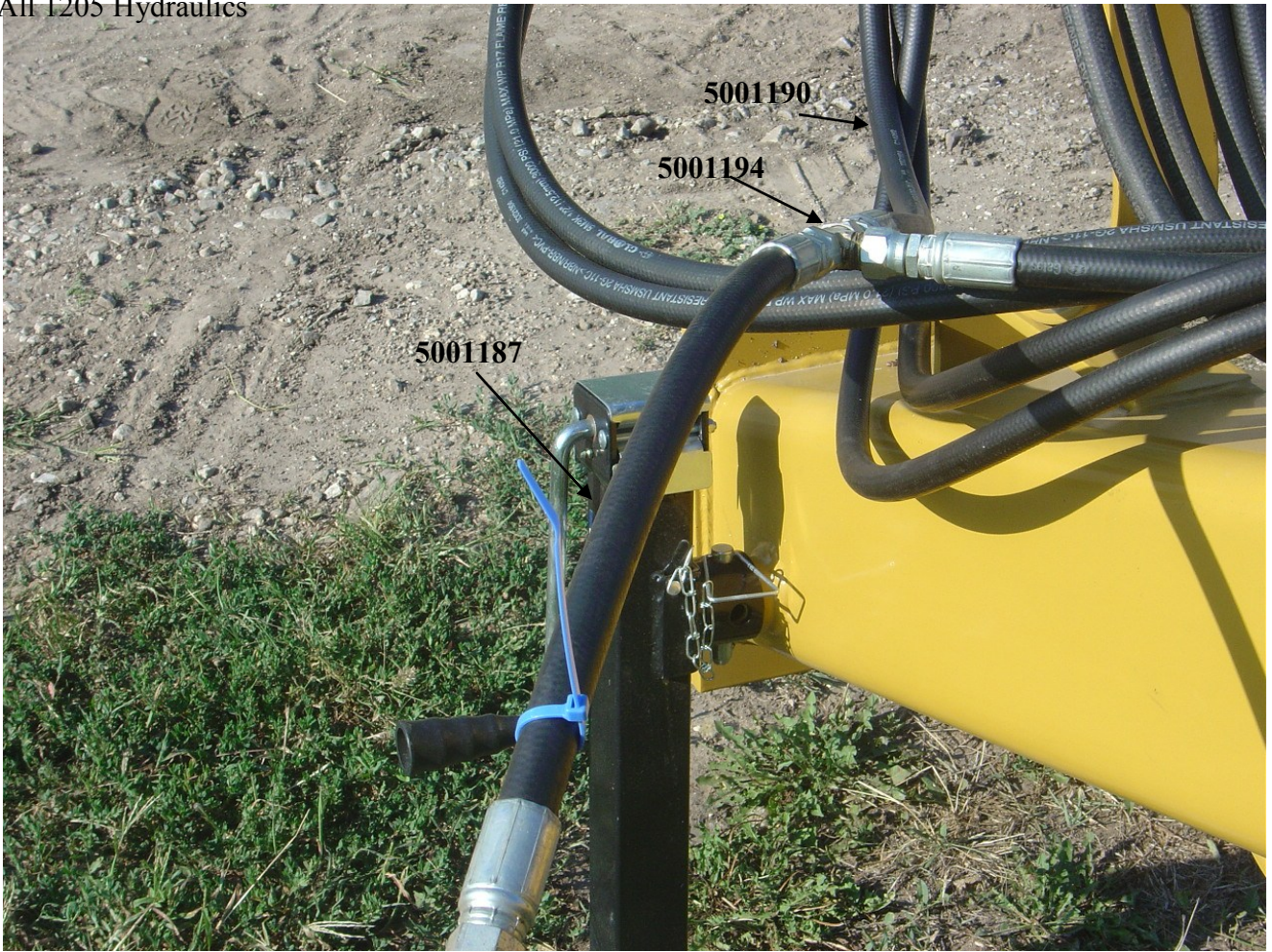
Bolt Listing - Cont.

Part #	Description and Location	Qty
	Cylinder Bushings	
4000150	Bushing, 125100100	6
	Pin Keepers	
BH 1/2 x 3"	Bolt, Hex 1/2 x 3" gr 5	4
NL 1/2	Nut, Nyloc 1/2" gr 2	4
PR 5/16 x 2"	Pin, Roll 5/16 x 2"	6
WF 1"	Washer, Flat 1 x 2 1/2"OD	12
	Hose Holder To Hitch Frame	
BH 1/2 x 1 1/2"	Bolt, Hex 1/2 x 1 1/2" gr 5	2
NW 1/2	Nut, Whiz 1/2"	2
	Zerks	
4000067	Zerk, Straight 1/8"	12
	Light To Main Frame	
BH 1/4 x 1 1/4"	Bolt, Hes 1/4 x 1 1/4 gr 5	8
NW 1/4	Nut, Whiz 1/4"	8
	Clevis To Hose Holder	
BH 3/4 x 5 1/2"	Bolt, Hex, 3/4 x 5 1/2" gr 8	1
NL 3/4	Nut, Nyloc 3/4" gr 5	1
	Hose Clamp To Hose Stand	
BH 1/2 x 2 1/2"	Bolt, Hex 1/2 x 2 1/2" gr 5	1
WFH 1/2	Washer, Flat, Hard 1/2"	1
NL 1/2	Nut, Nyloc 1/2" gr 2	1
	Hose Clamps To Tongue/Hitch Frame	
BH 3/8 x 2	Bolt, Hex 3/8 x 2" gr 5	6
NW 3/8	Nut, Whiz 3/8"	6
	Rims To Hubs	
4000020	Lug Bolt, 9/16 x 1 1/2"	32
	Hose Clamps To Main Frame	
NL 1/2"	Nut, Nyloc 1/2" gr 2	4
WFH 1/2	Washer, Flat, Hard, 1/2"	4

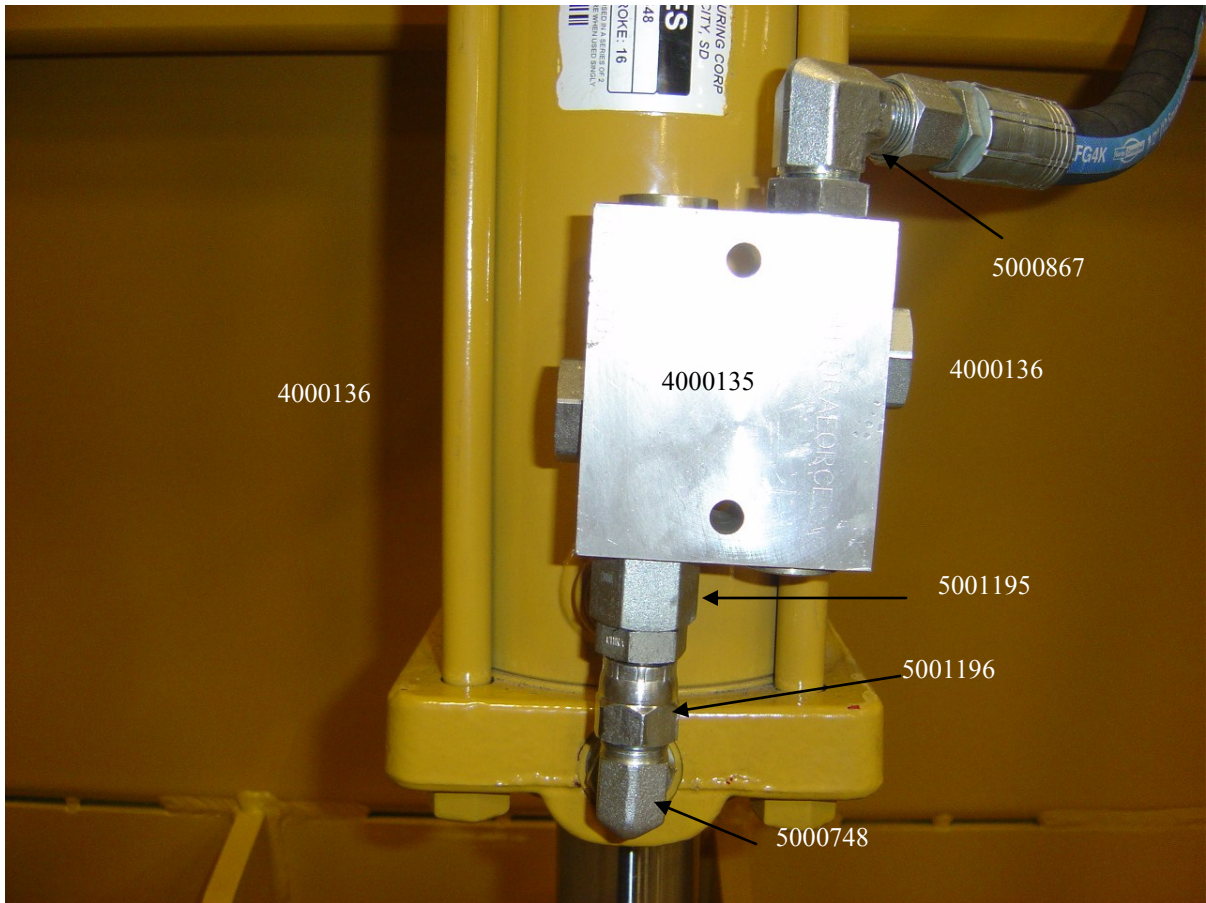
Carry All 1205 Hydraulics



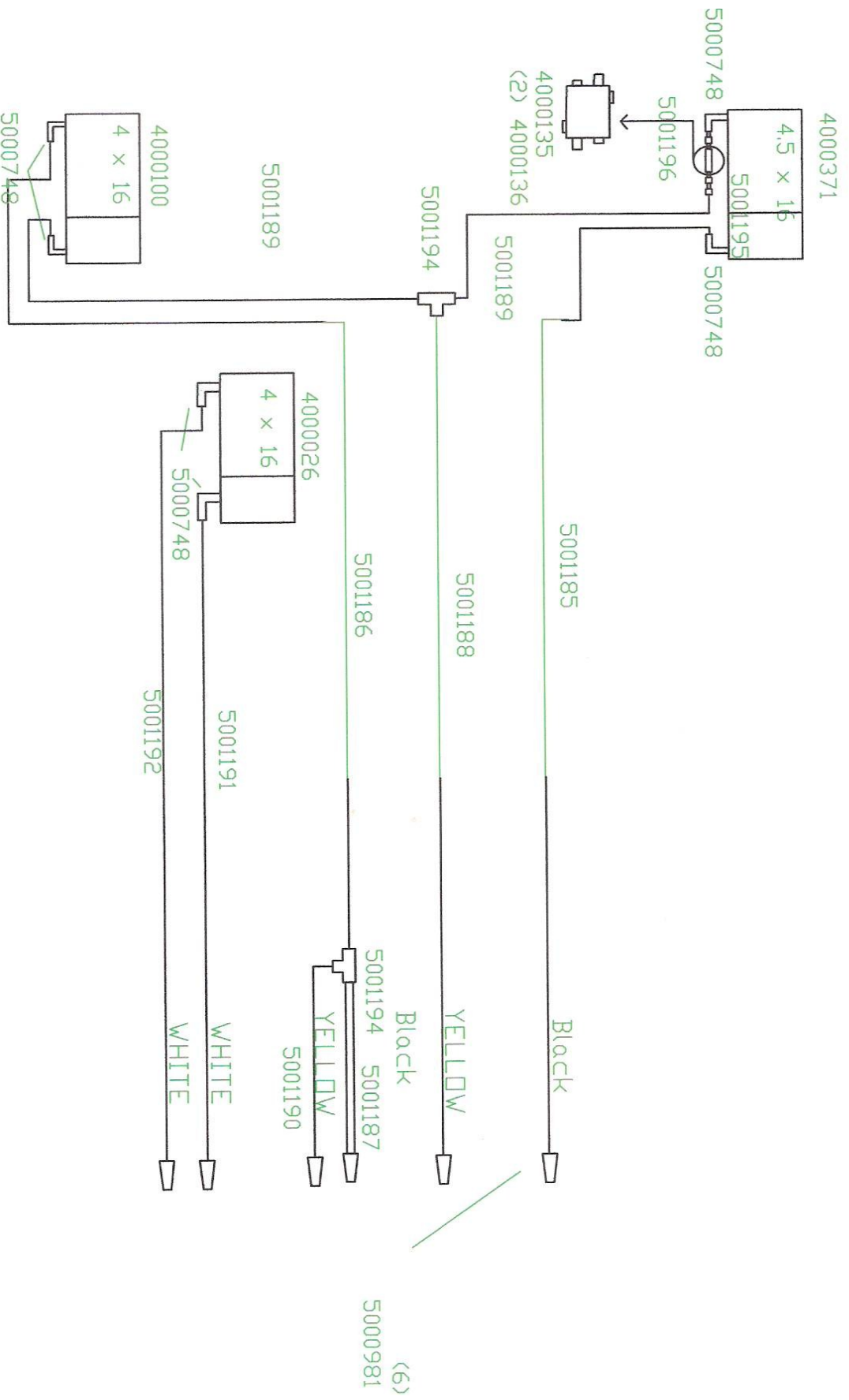
Carry All 1205 Hydraulics



Carry All 12 05 Hydraulics



Hydraulics For Carry All 12



Carry All 1205 Hydraulic Hose/Fittings

Hydraulic Hose Kit: #5001184

5001185	Hose, 8MB-8C12 x 258" - 8FJX	1
5001186	Hose, 8FJX-8C12 x 255.5" - 8FJX	1
5001187	Hose, 8MB-8C12 x 16.5" - 8MFJX	1
5001188	Hose, 8MB-8C12 x 204" - 8FJX	1
5001189	Hose, 8FJX-8C12 x 58" - 8FJX	2
5001190	Hose, 8MB-8C12 x 24" - 8FJX	1
5001191	Hose, 8MB-8C12 x 160" - 8FJX	1
5001192	Hose, 8MB-8C12 x 180" - 8FJX	1

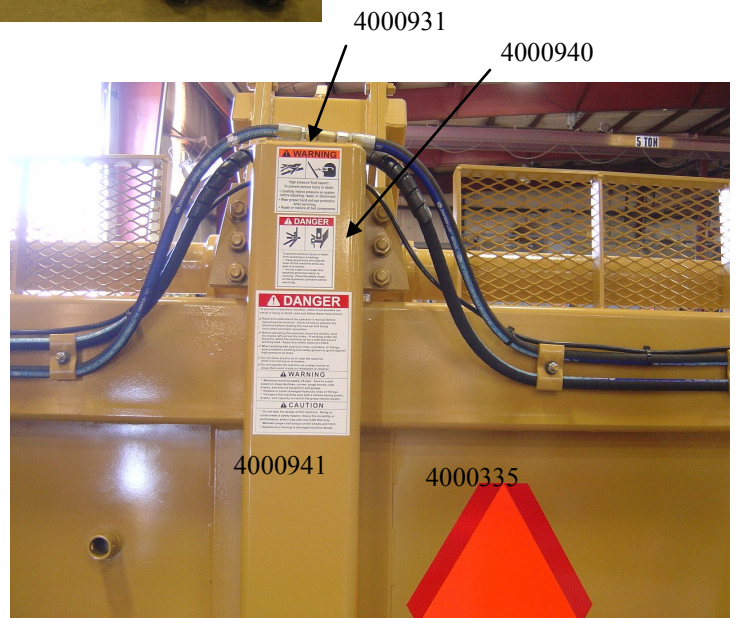
Hydraulic Fitting Kit: #5001197

5000748	HYF - Elbow, JIC 8MB-8MJ90	6
5000867	HYF - Elbow, 10MB - 8MJ90	1
5001194	HYF - TEE 8MJ	2
5000981	Tompkins 7/8 M 2NV12-12SAE-M (8FB thread)	6
5001195	HYF - Adapter 10MB - 8FB	1
5001196	HYF - Adapter 8MB - 8FJX	1

Light Kit For Carry All 1205 (# 2000634 complete)



Decal Locations On 1205 Carry All



Part #	Description	Qty
4000372	Warning Moving Parts	2
4000940	Danger Pinch	3
4000931	Warning High Pressure	3
4000935	Parts Manual	1
4001522	Landoll/ICON	4
4001285	HP Listing (140)	1
4000941	Danger/Safe/Maint	1
4000335	Slow Moving Vehicle	1
4001533	Reflective Tape (Orange)	2
4001534	Reflective Tape (Red)	2
4001535	Reflective Tape (Yellow)	4
4000938	Grease Daily	6
4001484	When digging in a pop area	1
4001418	Depth Gauge	1
4001516	Caution Off Road Use	1
4001445	Safety Stop	3
4001446	Warning, Remove Cyl. Stop	1
4000341	1205	2
4000564	Carry All Scraper	2
4001561	Tire Pressure 12.5 x 15	2



Intertek

Equipment from Landoll Corporation is built to exacting standards ensured by ISO 9001 registration at all Landoll manufacturing facilities.

Model 1205 Carry All Service and Parts Manual

Re-Order Part Number F-880-0118

LANDOLL CORPORATION

1900 North Street

Marysville, Kansas 66508

(785) 562-5381

800-428-5655 ~ WWW.LANDOLL.COM



Copyright 2014. Landoll Corporation

“All rights reserved, including the right to reproduce this material or portions thereof in any form”