

Primary Tillage

DOMINATOR® 4855



www.KuhnNorthAmerica.com



Invest in Quality®

THE SOLUTION FOR YIELD-ROBBING COMPACTION

ACCEPTING TODAY'S RESIDUE CHALLENGE

The DOMINATOR® Combination Primary Tillage System was designed specifically to perform in today's high population/high yielding corn environment.

SOLUTIONS

Residue management, soil tilth and level soil surface are all key factors in yield potential. The DOMINATOR meets this challenge and outperforms competitive tools.

DOMINATOR VALUE

Superior residue handling and sizing eliminate the need for stalk shredding prior to tillage. With reduced residue size and a smoother, more level field finish, only one seedbed tillage pass is typically required rather than two passes in the spring for leveling. The elimination of one seedbed leveling pass in the farming system translates to more profits on your bottom line.

COMBINATION PRIMARY TILLAGE DOMINATOR 4855

in brief

Models	Working Width	Number of Shanks	Weight (lbs/kg)
4855-7	10'6"	7	12,597 / 5714
4855-9	13'6"	9	15,162 / 6877
4855-11	16'6"	11	20,621 / 9354
4855-13	19'6"	13	22,449 / 10183



Combination Primary Tillage System

EXCLUSIVE 5-STEP PROCESS

1 REPOSITION RESIDUE

Residue Manager wheels (optional) reposition stalks and residue laterally, just ahead of the coulters, for positive cutting. The 15" diameter wheels are independently mounted and contour over uneven terrain.

2 CUT RESIDUE

Coulter module features ultra-large 25" diameter coulters on 9" spacing for improved residue cutting versus discs. An innovative live hydraulic down pressure system allows the operator to set down pressure to match field conditions.

3 IMPROVE SOIL TILTH

A split-the-middle shank pattern, achieved with two ranks of shanks on 18" spacing provides maximum soil fracture and non-stop operation in heavy residue.

4 LEVEL SOIL

The DOMINATOR Disc Conditioner System is hydraulically adjustable to meet varying surface residue requirements. Two rows of discs cut clods and provide additional leveling.

5 FIRM SOIL

The exclusive 24/7® Soil Conditioning Reel accomplishes final clod sizing and soil firming with the ability to select a range of constant down pressure or float position to extend the weather/tillage window.

5 AGRONOMIC STEPS VERSUS 3

The DOMINATOR's 5-function design manages residue, soil tilth and fall seedbed conditions in a series of agronomic processes arranged in a logical sequence. The results far surpass the output of three-function designs which require additional residue sizing or seedbed preparation trips.



POSITION AND CUT RESIDUE

The optional 15" diameter Residue Manager wheels are independently mounted and contour over uneven terrain. Residue Manager wheels first lay standing residue down, then position the residue perpendicular to the couler blade for improved residue cutting.

The DOMINATOR® couler module features ultra-large 25" diameter coulters on 9" spacing for improved residue cutting versus discs. An innovative live hydraulic down pressure system allows the operator to set down pressure to match conditions. With constant down pressure the coulters automatically seek the depth that provides optimal cutting resistance. Couler gangs are mounted with Rock-Flex bearing arms for added protection.



NO DAILY MAINTENANCE

PEER® TILLXTREME™ bearings are incorporated into the rock-protected, C-arm gang assemblies eliminating the need for daily greased maintenance. The bearing is protected by a 6-lip seal to keep grease in and contaminants out. A KUHN Krause exclusive nylon ring surrounds the outer bearing race. The split ring design allows self-alignment reducing the chance of bearing preload. An exclusive KUHN Krause cast housing is designed to lock the protective nylon ring and prevent unwanted rotation around the outer race of the bearing.



IMPROVE SOIL TILTH

A split-the-middle shank pattern is achieved with two ranks of shanks on 18" spacing. This provides maximum soil fracture and non-stop operation in heavy residue.

Choose from all deep-till parabolic shanks, a combination of deep-till and heavy-duty chisel shanks or all heavy-duty chisel shanks, depending on your agronomic needs. With two full ranks of shanks, none closer than 36" on the same beam, the DOMINATOR delivers non-stop performance in the highest amounts of tough residue.

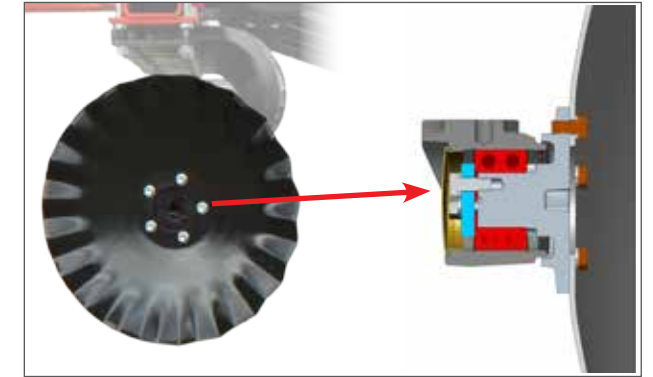
Quality Finishing

DISC CONDITIONER



REDUCE CLOD SIZE

The DOMINATOR® Disc Conditioner System is hydraulically adjustable to meet varying surface residue requirements. Front blades are 24" diameter smooth disc blades on 18" spacing and rear blades are 24" diameter fluted blades on 12" spacing to reduce clod size and level soil.



MAINTENANCE FREE BEARING ASSEMBLY

Discs feature individual Rock-Flex mounts for protection with rear mounts reversed to shed residue for superior performance even in heavy residue conditions. Sealed, angular contact, maintenance free bearings and a machine-forged spindle with 5-bolt pattern allowing for fast and easy service.

24/7® CONDITIONING REEL



FIRM SOIL

The optional 24/7 Conditioning Reel accomplishes final clod sizing and soil firming. In the float position, the reel applies 30 to 40 pounds of pressure. Constant spring pressure is adjustable from 60 to 100 pounds.



HEAVY-DUTY 24/7® CONDITIONING REEL

Choice of heavy-duty round bar or heavy-duty flat bar reel with PEER® TILLXTREME™ maintenance free bearing assemblies mounted on heavy-duty ductile cast bearing arms provides aggressive clod sizing and soil firming.



MAINTENANCE-FREE BEARINGS

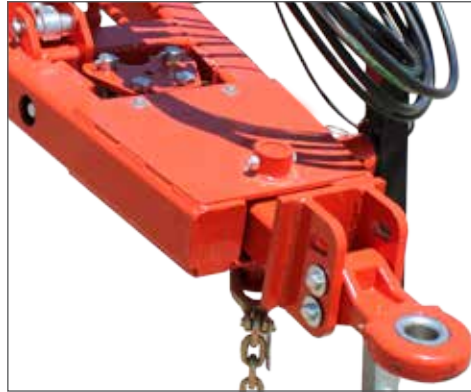
KUHN Krause 24/7® Soil Conditioning Reels feature PEER® TILLXTREME™ bearings for reliable, maintenance-free operation.

- No zerks to clean or maintain
- No excess grease purge past seals to collect soil contaminants
- Multi-zone lubrication system provides positive lubrication to both ball and seal lip area



Customized to fit your operation

ADDITIONAL FEATURES



GUARDIAN HITCH™

This exclusive option guards against stress on the tractor drawbar and implement frame. Lateral drawbar forces are transferred through the hitch pivot where shock load from steering input is dampened by urethane blocks. Choose from the articulating ball Cat III, IV or V double-bolt, cast hitch.



TRACTOR INTERFACE CENTER

Standard on all DOMINATOR® models, the tractor interface center prevents hydraulic hoses from binding in turns and adds operator convenience. Includes hose routing chart, color coded hose grips, storage for light hookup and owner's manual.



SINGLE-POINT DEPTH CONTROL

Blade depth is controlled conveniently with the crank-adjustable depth stop located at the front of the machine. View working depth on the easy-to-read scale.



SHANK DEPTH INDICATORS

Positive depth indicators allow easy visibility from the tractor cab to determine shank and disc conditioner depth for accurate on-the-go adjustment and optimum performance.



HYDRAULIC COULTER PRESSURE

A convenient front mounted valve allows the down pressure on the coulters to be adjusted up to 1,100 pounds. The pressure gauge is visible from the tractor cab. This system automatically positions coulters at the optimum depth for positive residue cutting in varying field conditions.



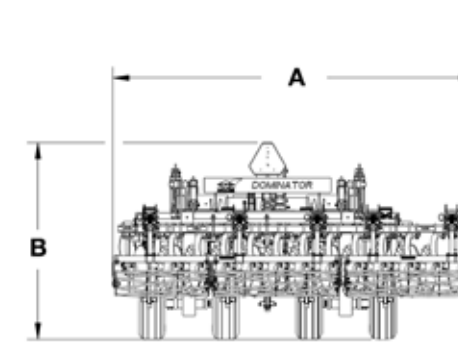
HEAVY-DUTY WALKING BEAMS

Standard on the center section of all DOMINATOR models, heavy-duty 8-bolt hubs with slip-in wheel spindles secured by a single bolt ensure durability and easy maintenance.

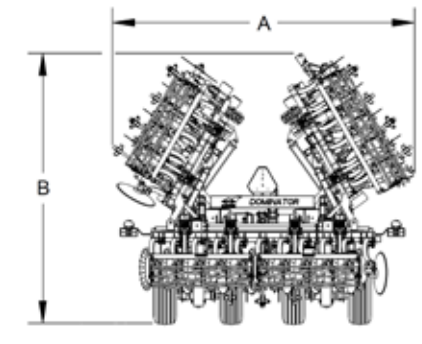


REDUCE TIME BETWEEN FIELDS

The 11 and 13 shank DOMINATOR® models are true 3-section folding machines with transport widths that are narrower than many of the tractors pulling them. Reducing transport time between fields boosts productivity.



4855-7 to 4855-9








4855-11 to 4855-13

Model Specifications	4855-7	4855-9	4855-11	4855-13
DIMENSIONS				
A - Transport Width ¹	13'10" / 4.2 m	15'9" / 4.8 m	14'10" / 4.5 m	14'10" / 4.5 m
B - Transport Height ¹	6'6" / 1.9 m	6'6" / 1.9 m	12'3" / 3.7m	13'5" / 4.1 m
SPECIFICATIONS				
Frame Type	Rigid	Rigid	Folding	Folding
Total Number of Shanks	7	9	11	13
- Shank Spacing	18" / 46 cm			
Approximate Working Width at Shanks	10'6" / 3.2 m	13'6" / 4.1 m	16'6" / 5.0 m	19'6" / 5.9 m
Approximate Shipping Weight	12,597 lbs / 5714 kg	15,162 lbs / 6877 kg	20,621 lbs / 9354 kg	22,449 lbs / 10183 kg
STANDARD EQUIPMENT				
- Hitch	CAT IV Articulating Ball Hitch with 2" Pin Hole			
- Tongue	Mechanical Adjustable, Self-Leveling Tongue			
- Depth Control	Single-point Hydraulic Depth Control			
- Hydraulics	Cylinders with Royal Plate Plus, Color Coded Hydraulic Hose Grips, All Hydraulic Hoses			
- Transport Locks and Safety	Hydraulic Valves, Transport and Wing Fold, High-Visibility LED Lighting, SMV Sign			
Coulter Gangs				
- Coulter Blades	25" x 1/4" Smooth Coulter			
- Blade Spacing	9" / 23 cm			
- Gangs	Constant Flow Adjustable Hydraulic, 1-3/4" Diameter, Round Alloy Tie-Rod, PEER® TILLXTREME™ Maintenance-free, Bearings, Rock-Flex Bearing Arms, C-Type 1-1/4" x 2-1/2" Ductile Iron, Heavy-Duty 6" Diameter Spools			
Shanks				
- Spring Reset Subsoil Parabolic Shanks	3,000 lb Point Load, 1-1/4" x 4" Shank Size with Wear Bar, 21" Trip Height, 39" Underframe Clearance, 16" Working Depth, 7" Winged Point			
- Heavy-Duty Spring Reset Chisel Shanks	1,200 lb Point Load, 1-1/4" x 3" Shank Size with Wear Bar, 20" Trip Height, 39" Underframe Clearance, 12" Working Depth, 7" Winged Point			
Tires/Wheels				
- Main Frame	Four 12.5L x 16 14-ply, Walking Beams, Slip-In Spindles 8-Bolt Heavy-Duty Hubs	Four 360/65 R17.5, Walking Beams, Slip-In Spindles 8-Bolt Heavy-Duty Hubs		
- Wing Frame	N/A		One 9.5L x 15 8-ply per wing, 6-Bolt Hubs	
Hydraulic Adjust Rear Disc Conditioner				
- Front Beam	24" x 6 Gauge, Smooth Shallow Concavity Disc Blades, 18" Blade Spacing			
- Rear Beam	24" x 6 Gauge, Fluted Disc Blades, 12" Blade Spacing			
OPTIONAL EQUIPMENT				
Hitch	Guardian Hitch™, Category III Articulating Ball Hitch with Combination C Clevis, for 1-1/2" Pin Category IV Articulating Ball Hitch for 2" Pin	Guardian Hitch™ Category V Articulating Ball Hitch for 2-3/4" Pin		
Residue Manager ³	15" Diameter, Individually Mounted Residue Wheels			
Shanks	All Spring Reset Parabolic Shanks; All Heavy-duty Chisel Shanks; Combination: Shear Bolt Sub-soil Parabolic Shanks and Heavy-duty Chisel Shanks			
Points	3" Capped Straight			
Tires	360/65 R17.5 High Flotation Tires	N/A		
24/7® Conditioning Reel	Heavy-duty Round or Heavy-duty Flat Spiral Reels, Float Position, PEER® TILLXTREME™ Maintenance-Free Bearings			
Rear Attachment Hitch	For Use on Machines without 24/7® Soil Conditioning Reel			
OPERATING INFORMATION				
Recommended Speed of Operation	4 - 7 mph / 6 - 12 km/h			
Recommended Working Depth	8" - 16" / 20.3 cm - 40.6 cm			
Recommended Tractor Power Range PTO hp / kW ²	200 - 250 / 149 - 186	270 - 350 / 201-261	375 - 450 / 280 - 336	450 - 525 / 336 - 391

¹ Approximate transport width, height and weight shown with optional finishing attachments.
² Estimates only. Horsepower requirements will vary by geography and soil type.
³ Residue Manager option should not be used in applications where 13" or greater subsoil shank depth is required.
 N/A - Not Applicable

PRODUCT SYSTEMS

PRODUCT SYSTEMS			
Fall	Spring	Fall	Spring
DOMINATOR Heavy residue conditions	5635 Field Cultivator Moderate residue, Conventional seedbed prep		
DOMINATOR Heavy residue conditions	LANDSMAN® Heavy residue, Conventional seedbed prep		
DOMINATOR Heavy residue conditions	Disc Harrow Heavy residue, Conventional seedbed prep		
DOMINATOR Heavy residue conditions	EXCELERATOR® High-speed, Vertical-till seedbed prep		

Most Complete Primary Tillage Line on the Market



1. 4000 Chisel Plow / 2. LANDSAVER® 4810 / 3. 4830 In-Line Ripper / 4. 8315 Disc Harrow

For more information about your nearest KUHN Krause dealer and other KUHN Krause products, visit our website

www.KuhnNorthAmerica.com



Visit our YouTube channel to watch our latest product videos.



www.KuhnNorthAmerica.com

Your KUHN Krause dealer

KUHN KRAUSE, INC.

305 South Monroe Street
P.O. Box 2707
Hutchinson, KS 67504

Information given in this document is only for informational purposes and is non-contractual. Our machines are in compliance with North American safety standards. In our literature, and for improved illustration of certain details, some safety devices may not be in operating position. When operating these machines, these devices must be operated in accordance with the requirements indicated in the operator's manuals and assembly manuals. We reserve the right to change any designs, specifications or materials listed without further notice. Machines and equipment in this document can be covered by at least one patent and/or registered design. Trademarks cited in this document may be registered in one or several countries.

Find us on

