

Shredders and Offset Mowers



VK / VKD /BKE / TB / RSM

www.KuhnNorthAmerica.com



Invest in Quality®

SHREDDERS VK / VKD / BKE

OFFSET MOWERS TB/RSM

WHY SHRED AT YOUR OPERATION?

TO KEEP PLANTS HEALTHY

Shredding ensures a healthy growing environment. By shredding, decomposition can occur sooner. This way there is less opportunity for harmful pests or diseases to grow in the field.

MULTIPLE AGRONOMIC BENEFITS

In vineyards and orchards, shredding has multiple operational benefits. They include:

- Accelerating decomposition of leaves and other plant material
- Controlling certain pests, diseases and weeds
- Reducing evaporation and protecting the soil's surface from direct sunlight during drought

TO CREATE STRONG SOIL

A green grass cover between the rows is important in vineyards and orchards to prevent erosion and to increase the soil's humus content. Fine shredding increases the surface area for the soil microorganisms to attack and transform the organic matter into humus. Important reasons to have strong humus content are:

- Nutrients are available to feed the crop
- Increases soil fertility
- Improved soil structure and stability

SHREDDERS AND OFFSET MOWERS

VK / VKD / BKE / TB / RSM
in brief

Models	Working Width	Standard Knives	Maximum PTO Requirement
VK Series	3'2" – 4'4"	Hammer Knives	40 hp – 50 hp
VKD Series	5'1" – 6'3"	Hammer Knives	55 hp – 65 hp
BKE Series	5' – 7'	Articulated Universal Knives	48 hp – 60 hp
TB Series	6'8"	Universal Knives or Hammer Knives	100 hp
RSM Series	6' – 7'	Universal Knives or Articulated Hammer Knives	90 hp



THE VINEYARD/ORCHARD WORKHORSE

VK shredders finely shred grass, vine shoots and prunings. Ideal for grape-growing operations as well as narrow row orchards, the VK models are available in working widths from 3'2" to 5'1".



CHOOSE THE RIGHT VK SHREDDER FOR YOUR ROW SPACING!



■ Central position behind tractor (ft/cm)
 ■ Lateral offset (ft/cm)

VK 95	2' (54 cm) 1 ½' (45 cm)	2' (54 cm) 2' (63 cm)
VK 115	2' (63 cm) 1' (44 cm)	2' (63 cm) 3' (82 cm)
VK 135	2' (72 cm) 2' (55 cm)	2' (72 cm) 3' (92 cm)
VK 155	3' (83 cm) 2' (63 cm)	3' (83 cm) 3' (103 cm)

Tractor axle



FINE SHREDDING WITH HAMMER KNIVES

Hammer knives allow shredding of up to 2" diameter brush. Recutting is carried out using three counter-knives, one notched and two straight.



VERSATILE DESIGN

These shredders have a hood without protrusions, screw heads, or sharp angles to catch on trellis lines or low lying branches. The reduced hood height allows the VK shredder to slide under even the lowest wires without damaging the vines or the plants.



ALL WOOD AND VINE SHOOTS ARE COLLECTED DURING SHREDDING

The rear collecting rake, available as an option, lifts up residues and vine shoots which are pressed down to the ground that need to be shredded. The roller guides keep it stable on uneven or damp ground. For greater machine stability, you can add skids or a roller.

MORE VERSATILITY FOR LARGER ROW SPACING

VKD shredders finely shred grass, vine shoots and prunings. VKD models are available in working widths from 5'1" to 7'10" in order to fit your row spacing precisely with the hydraulic offset system. The sliding tube is both compact and useful when having to work under trees in the orchard.



PERFECTLY CONTROLLED HEIGHT

Height is controlled via a standard roller or optional semi-pivoting wheels. The roller is fitted with removable ends as standard, so you can carry out any necessary maintenance or repair quickly and easily at reduced costs.



UNMATCHED SHREDDING QUALITY

To achieve fine shredding, use the counter knives (one straight and two notched) to make sure residues are cut. For clean row spacing, cut the grass close to the trees with an optional mowing disc. This hydraulically driven device moves around the trees for clean maintenance without damaging tree trunks or vine stocks. With its hydraulic work/transport positioning system, this tool is very easy to use.

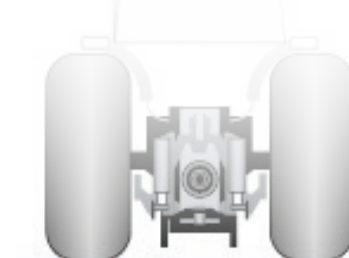
OFFSET VIA A SLIDING TUBE

VKD shredders are fitted with hydraulically controlled offsets to allow you to work under trees and to adapt the working width to the tractor width. The machine's center of gravity remains close to the tractor for improved operation.



A SHREDDER THAT WILL MEET ALL YOUR NEEDS!

- Central position behind tractor (ft/cm)
- Lateral offset (ft/cm)



VKD 155	3' (87 cm) 2' (52 cm)	2 1/2' (80 cm) 4' (115 cm)
VKD 170	3' (96 cm) 2' (51 cm)	3' (89 cm) 4' (134 cm)
VKD 190	3 1/2' (106 cm) 2' (61 cm)	3' (98 cm) 5' (143 cm)
VKD 210	4' (115 cm) 2' (70 cm)	3 1/2' (108 cm) 5' (153 cm)
VKD 230	4' (125 cm) 2 1/2' (80 cm)	4' (118 cm) 5' (162 cm)

Tractor axle

THE STANDARD IN HEAVY-DUTY SHREDDERS

This machine provides increased durability and life when it comes to maintaining grassy areas such as parks, pastures, and large commercial orchards and nurseries.



DON'T LET WEEDS, PESTS OR DISEASES INTO YOUR FIELD

Many weeds migrate from the border into the field and spread if not held in check. An effective precaution measure is to shred grass strips on the field's borders to lock out invasive species.



SUPPORTING SOIL FERTILITY

Improving soil fertility by incorporating organic matter into the soil is the most important aspect of shredding. The finer the residue is shredded the bigger the surface area for microorganisms to attack and transform the organic matter into humus. Strong reasons for high humus content: improved soil structure and stability, and increased biological activity.



EFFECTIVE DESTRUCTION OF AN INTERMEDIATE CROP

Shredding intermediate crops to weaken and destroy them before seeding the next crop is an environmentally friendly alternative to chemical treatment.



HITCH

Two types of hitch options are available and can be used on the BKE shredder:

- Hitch with a hydraulic offset
- A fixed two-position coupling (centered and offset)



LESS WEAR WITH IMPROVED PROTECTION

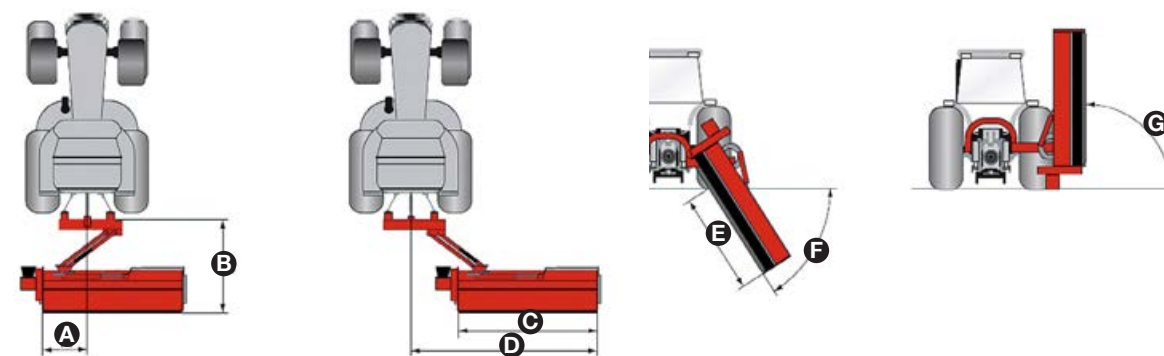
1. A bolted 4 mm thick sheet metal lining inside the hood minimizes wear and provides additional protection against foreign objects.
2. For intensive work, the standard roller and removable ends (fitted with reinforced roller bearings) are ideal. These bearings only require minimum maintenance and will reduce your replacement costs.
3. The skids, combined with the roller, protect the side walls, improve the machine's stability, and provide additional guidance to better follow irregular ground.
4. The optional front wheels give the machine more ground-following capability.



VERSATILE BY DESIGN

Whether it's the fight against weeds on field edges or road maintenance – there is a solution available for everyone. In multiple conditions, these mowers provide you with versatility. These mowers are also supported by their sturdy design and safety features to avoid damage.

Maintenance mowing has to be done in a variety of environments, but will usually take place in grassy areas with a high chance of hidden foreign objects. The TB series has been designed specifically for these types of operations. These mowers will easily meet your offset mowing needs. The design is suited for hedge work with operating angles from -65° to +90°.



TB 211	
A	38" (97 cm)
B	83" (211 cm)
C	80" (203 cm)
D	109" (277 cm)
E	73" (185 cm)
F	-65°
G	+90°



MORE MOWING OPTIONS, MORE MOWING POSSIBILITIES

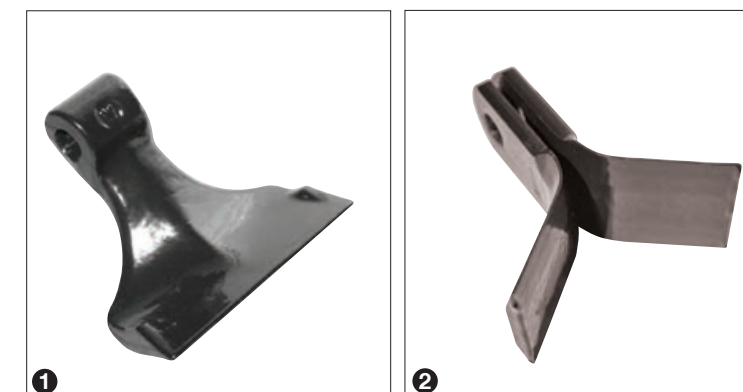
A wide angle PTO joint is standard. This is one of the most important features on the machine, especially if you spend a large amount of time in the field with the machine in a vertical position. Look at the diagram and chart above to see examples of how a TB mower can be more versatile by working in multiple positions.

SHREDDING AS YOU WOULD EXPECT

Choose from either:

1. A hammer knife for use in grasses and pastures.
2. Universal knives for roadside maintenance.

Note: One counter knife is standard.



PROTECTED AGAINST IMPACT

When meeting an obstacle, the machine frame is protected by a non-stop spring-loaded safety system. After the obstacle is cleared, the machine will automatically return to working position. Moreover, the mechanical parts which are exposed to impact are all protected and the hood features a bolted 4 mm thick sheet metal lining for increased resistance to impacts and wear.



NON-STOP SAFETY SPRING

A non-stop safety spring protects the structure against impacts. In order not to exceed the yield strength of the springs, a mechanical stop is standard.



TOUGH IN AND OUT OF THE FIELD

This machine has a number of strong features including:

- High-strength steel construction with an excellent weight/strength ratio
- Strong 4" x 4" hitch frame
- Bolted sheet metal lining



TRIED AND TESTED STRENGTH

Designed for intensive use, the frame of the KUHN TB shredder is unmatched with its reliability and longevity. This machine includes self-lubricating bushings on all-pivot points.

SIMPLE AND COMPACT

Quality of work and adaptability are the two main characteristics of roadside mowers. Suitable for tractors with 65–90 hp, the RSM models are at ease in a wide variety of conditions. The models in the RSM range have been designed to meet local municipality needs for mowing work with increased safety over conventional rotary mowers.



OPTIMIZED MOWING UNIT

The body on RSM models is designed for maximum output. Its hood is reinforced by a bolted sheet metal plate with Hardox® steel skids. A 6" diameter roller, with removable ends, controls the mowing height of the machine.



VERTICAL LIFT FOR VERSATILITY

This feature automatically compensates for uneven ground. The models in the RSM range can mow on a higher plane than the road level. The vertical lift function also makes it easier to mow shallow ditches while maintaining an optimal drive position.



ROCK-SOLID DRIVE SYSTEM

The drive system is comprised of four automatically tensioned, high-capacity V-belts.



HYDRAULIC SIDE SHIFT

The RSM can be fitted with a hitch frame incorporating a horizontal offset. This reduces overhang and limits stress in the structure during offset maneuvers. With the 23" offset, obstacles can be quickly and easily avoided.



CHOOSE YOUR TOOL

The rotor can be equipped with two types of knives:

1. The universal knife for mowing in heavy grass conditions.
2. The articulated hammer knives for mowing in tough conditions that may include rocks and foreign objects.



A MACHINE YOU CAN TRUST

The structure of the chassis and frame are based on decades of experience. In the event of a collision with an obstacle, the mechanical safety device will protect the machine's structure. Hydraulic non-stop protection is available as an option.



KNIFE OPTIONS

Note: Some knife configurations may be available for field installation only.

UNIVERSAL KNIVES

Offer a more substantial option than the articulated knives when powering through heavier crop.

Fits: TB, VK, VKD, BKE



ARTICULATED UNIVERSAL KNIVES

Allow more freedom to clear obstructions hidden in grass conditions.

Fits: TB, VK, VKD, BKE



ARTICULATED HAMMER KNIVES

Create lift for a clean cut. The shackle allows more freedom to clear obstructions hidden in grass conditions.

Not for shredding prunings. Use only for grass.

Fits: BKE, TB, RSM



PALLET-TYPE FINISHING KNIVES

Create lift for a clean cut. Pallet knives are suitable for use in parks and lawns, or any place that a clean finish is desired.

Fits: RSM, TB



HAMMER KNIVES

Hammer knives are designed for shredding, with plenty of lift and the extra weight to power through brush up to 2". Not for use in rocky or stony conditions.

Fits: TB, BKE, RSM, VK, VKD



Model Specifications

	VK 95	VK 115	VK 135	VK 155
DIMENSIONS				
Hitch Type	3-point			
3-Point Attachment	Cat. 1 or 2			
Working Width	3'2" (97 cm)	3'8" (114 cm)	4'4" (135 cm)	5'1" (155 cm)
Overall Width	3'5" (107 cm)	4'1" (124 cm)	4'8" (145 cm)	5'4" (165 cm)
PTO Speed	540 rpm			
Min. Power Requirement	20 hp (15 kW)	30 hp (22 kW)	35 hp (26 kW)	40 hp (30 kW)
Max. Acceptable Power	40 hp (30 kW)	45 hp (34 kW)	50 hp (37 kW)	55 hp (41 kW)
Number of Knives	10	12	14	16
Machine Net Weight	640 lbs (290 kg)	727 lbs (330 kg)	805 lbs (365 kg)	882 lbs (400 kg)

	VKD 155	VKD 170	VKD 190	VKD 210
DIMENSIONS				
Hitch Type	3-Point			
3-Point Attachment	Cat. 1 or 2			
Working Width	5'1" (155 cm)	5'7" (173 cm)	6'3" (191 cm)	6'8" (208 cm)
Overall Width	5'4" (165 cm)	6'1" (185 cm)	6'7" (203 cm)	7'3" (224 cm)
PTO Speed	540 rpm			
Min. Power Requirement	40 hp (30 kW)	45 hp (34 kW)	50 hp (37 kW)	55 hp (41 kW)
Max. Acceptable Power	55 hp (41 kW)	60 hp (45 kW)	65 hp (49 kW)	70 hp (52 kW)
Number of Knives	16	18	20	22
Machine Net Weight	1,124 lbs (510 kg)	1,234 lbs (564 kg)	1,323 lbs (611 kg)	1,411 lbs (640 kg)

	BKE 150	BKE 180	BKE 210
DIMENSIONS			
Hitch Type	3-Point		
3-Point Attachment	Cat. 1 or 2	Cat. 2	
Working Width	5' (152 cm)	6' (183 cm)	7'8" (213 cm)
Overall Width	5'5" (167 cm)	6'7" (203 cm)	7'6" (236 cm)
PTO Speed	540 rpm		
Min. Power Requirement	35 hp (26 kW)	45 hp (34 kW)	49 hp (37 kW)
Max. Acceptable Power	48 hp (36 kW)	60 hp (46 kW)	
Number of Knives	18	20	24
Machine Net Weight	1,168 lbs (530 kg)	1,345 lbs (610 kg)	1,455 lbs (660 kg)

	TB 211	RSM 180	RSM 210
DIMENSIONS			
Hitch Type	3-Point	3-Point	
3-Point Attachment	Cat. 2	Cat. 2	
Working Width	6'8" (203 cm)	6' (183 cm)	7' (213 cm)
Overall Width	7' (213 cm)	6'3" (193 cm)	7'3" (224 cm)
PTO Speed	540 rpm		
Min. Power Requirement	70 hp (53 kW)	65 hp (49 kW)	
Max. Acceptable Power	100 hp (75 kW)	90 hp (67 kW)	
Number of Knives	-	20	24
Machine Net Weight	1,720 lbs (780 kg)	1,565 lbs (710 kg)	1,785 lbs (810 kg)
Rotor Diameter	16 1/2" (42 cm)		



SHREDDERS VK / VKD / BKE

OFFSET MOWERS TB/RSM

COMPLEMENTARY PRODUCTS

MORE PRODUCTS TO MEET YOUR NEEDS

With over 700 models of equipment, we have the most complete implement line in the industry. Whether you have a small or large operation, we have a broad range of models and options to help fit your diverse needs.




1. Rollover Plows
2. Compact Discs
3. Power Tillers
4. Power Harrows
5. Grain Drills
6. Fertilizer Spreaders

For more information about your nearest Kuhn dealer and other Kuhn products, visit our website at www.KuhnNorthAmerica.com



Visit our YouTube channel to watch our latest product videos.

 <p>www.KuhnNorthAmerica.com</p>	<p>Your KUHN dealer</p>
---	-------------------------

KUHN NORTH AMERICA, INC.
 Corporate Headquarters
 1501 West Seventh Avenue - Brodhead, WI 53520

Information given in this document is only for informational purposes and is non-contractual. Our machines are in compliance with North American safety standards. In our literature, and for improved illustration of certain details, some safety devices may not be in operating position. When operating these machines, these devices must be operated in accordance with the requirements indicated in the operator's manuals and assembly manuals. We reserve the right to change any designs, specifications or materials listed without further notice. Machines and equipment in this document can be covered by at least one patent and/or registered design. Trademarks cited in this document may be registered in one or several countries.

