

Trailed Mower Conditioners



www.KuhnNorthAmerica.com

FC TL – Side Pull FC TC – Center Pivot



Invest in Quality®

TRAILED MOWER CONDITIONERS FC TL SERIES / FC TC SERIES

MAXIMUM PRODUCTIVITY AND PERFORMANCE

SIMPLE, EASY MAINTENANCE

Less time spent on routine maintenance means more time in the field for maximum productivity. With an efficient design and high-quality seals, daily greasing has been eliminated. The gearbox drive removes the hassle of regular belt adjustments. Cutterbar oil changes are a thing of the past with the lubed-for-life Optidisc® cutterbar and the Fast-Fit® system makes blade changes quick and easy!

HIGH-CAPACITY, PRECISE CONDITIONING

Fast, consistent drydown is the key to high-quality forage. Wide rotor, finger-style conditioning on the FC TL and TC models increases crop-on-crop rubbing to strip off the waxy cuticle helping the stems dry at the same rate as the leaves. Two different roller-style conditioners are also available on all models. The Diamond Block® rubber conditioning rollers crimp the crop every 3 to 6 inches for fast drydown. The DoubleCrimp™ steel roller conditioner features a unique square-tooth shape that crimps the crop consistently every 1 ½"-2" regardless of crop volume.

MULTIPLE WINDROW ADJUSTMENTS

From narrow windrows to wide swaths, these models offer the broadest range of windrowing options to best match your harvest practices and field conditions.

TRAILED MOWER CONDITIONERS

FC TL / FC TC

in brief

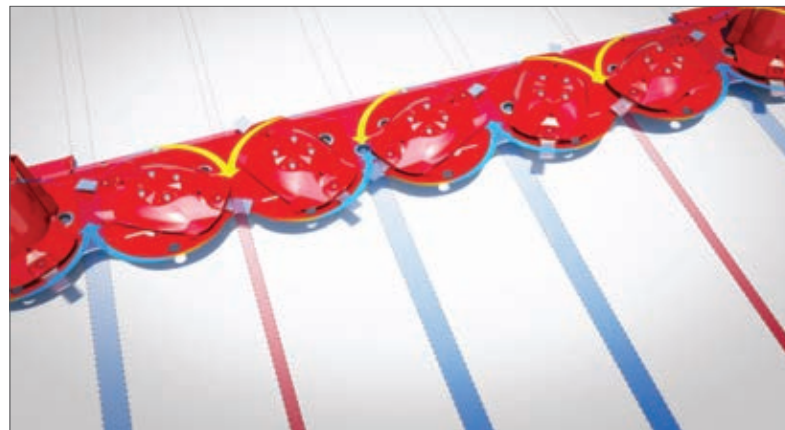
Models	Working Width	Swath Width	Horsepower Requirement
FC 2860 TL	9'2"	3' – 6'8"	67 hp
FC 3160 TL	10'2"	3' – 7'8"	80 hp
FC 3560 TL	11'6"	3' – 8'8"	93 hp
FC 3160 TC	10'2"	2'11" – 9'2"	80 hp
FC 3560 TC	11'6"	3'7" – 10'4"	93 hp
FC 4060 TC	13'1"	3'7" – 12'2"	107 hp
FC 4460 TC	14'5"	3'7" – 12'2"	122 hp



A CLEAN & CONSISTENT CUT

THE OPTIDISC® CUTTERBAR: LUBED-FOR-LIFE

The Optidisc cutterbar requires no break-in oil change or scheduled maintenance for the life of the machine. It has a flat profile allowing the crop to move through quickly, for smooth flow even in heavy, difficult conditions.



OPTIDISC CROP CONTROL

The innovative design offers exclusive differential disc spacing. Narrower spacing at **diverging discs (red)** provides greater knife overlap for cleaner cutting. Wider spacing at **converging discs (blue)** provides greater capacity and higher throughput.



ULTIMATE PROTECTION

Externally removable Protectadrive® disc bearing stations provide maximum reliability and quick service. They protect the cutterbar from damage if a major obstacle is struck in the field.



OUTSTANDING CROP LIFT

The cutting discs and end cones provide high crop lift, allowing cut materials to quickly leave the cutterbar and enter the conditioner, especially in thick crop conditions.



FAST-FIT® KNIVES

Fast-Fit knives are quick and easy to change with the use of a simple tool, yet still provides the optimum cut quality and knife life seen with the standard system. With Fast-Fit, you can achieve up to 50% time savings.

PRECISE ADJUSTABILITY



SIMPLE SPEED CHANGES

The simple 2-speed selector eliminates the need to swap pulleys and belts to change rotor speeds. A quick switch of the lever position slows the conditioning rotor to 755 RPM for delicate legume crops or speeds it up to 1000 RPM for tough grasses.



MULTIPLE HOOD POSITIONS

Quickly and easily select from one of five hood positions to fine-tune the intensity of crop conditioning. Depending on the type of crop and volume, periodic adjustments may be needed to ensure desired conditioning.



FINGER MODELS

The DigiDry® finger conditioner provides consistent drying of grass and legume crops in various conditions with little maintenance. Wide rotor, finger-style conditioning increases crop-on-crop rubbing to strip off the waxy cuticle helping the stems dry at the same rate as the leaves. The built-in breakback feature normally protects against damage from rocks and other foreign materials.



RUBBER ROLLER MODELS

Diamond Block® conditioning rollers stand out from the competition as the only rubber roller set designed exclusively for a disc mower. The horizontal staggered diamond pattern gives more points for the crop to be crimped as it flows off the disc at an angle. Adjustment of the roll pressure and roll gap is simple and can be done quickly in the field.



STEEL ROLLER MODELS

The DoubleCrimp™ steel roller design provides consistent crimping and even feeding of thicker crops and extended life in difficult and abrasive conditions. The steel construction normally allows for a longer wearing life yet allows for thorough conditioning of more delicate crops like alfalfa. Adjustment of the roll pressure and roll gap is simple and can be done quickly in the field.

TIGHT TURNS AND CLEAN, SQUARE CORNERS



RUGGED BUILD AND SIMPLE MAINTENANCE



GYRODINE® SWIVEL HITCH

The heavy-duty Gyrodine swivel hitch is a gearbox designed to withstand the most severe pull-through force from the hitch to the machine. The swivel design allows turns in excess of 90° while keeping the PTO driveline straight. This design allows extremely tight turns for clean, square corners while minimizing PTO vibration and wear.



QUICK HITCH COMPATIBLE 2-POINT

The Cat. 2/3N quick hitch compatible 2-point hitch provides a fully controlled connection and allows easy adjustment to maintain a level PTO. It also provides more ground clearance for previously mowed crop to pass through. Connecting arms pivot during hookup for easy alignment. All connecting quick hitches must meet standard ASABE specifications.



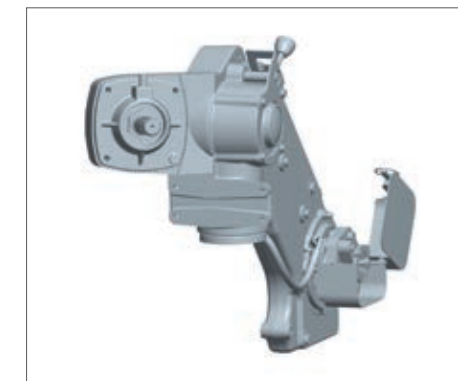
SIMPLE DRAWBAR HITCH

The drawbar hitch is easy to hook up and the heavy-duty build provides dependability and long life. The built-in swivel allows movement in three dimensions to easily adapt to uneven field conditions.



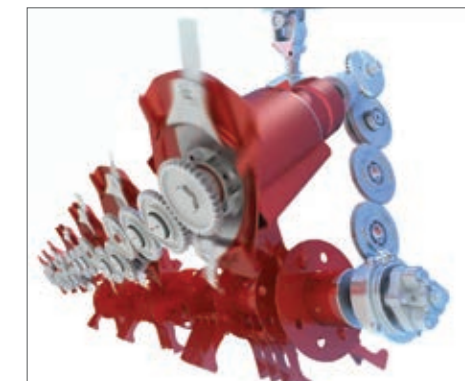
HIGH-STRENGTH STEEL FRAME

The high-strength steel frame provides sturdy support for the heavy-duty cutterbar and conditioner. Pound-for-pound this material provides 50% greater tensile strength than the mild steel found on competitive units. This lightweight, yet high-strength design reduces horsepower requirements and fuel consumption.



HEAVY-DUTY MAIN GEARBOX

The main gearbox is the core of the unit, specially built by KUHN to efficiently and reliably transfer power to the cutterbar and finger conditioner or rollers. The direct drive eliminates periodic checks on belt tightness and wear.



BUILT-IN ROTOR PROTECTION

To help prevent damage to the gearbox in the unlikely event of an overload or ingestion of a large foreign object, the shear bolt hub allows the operator to clear the obstruction from the conditioner, quickly rotate the inner hub into position, install the new shear bolt and return to mowing. Machines with roller conditioners use a specially designed gearbox for direct drive simplicity and reliability. Shear protection on these machines is similar and can be quickly replaced in the field.



MAINTENANCE-FREE DRIVE SHAFT

Unlike competitive models that require daily greasing, the drive shaft to the cutterbar uses maintenance-free U-joints. These joints reduce overall maintenance and eliminate excessive wear from improper maintenance.

REDESIGNED AND REDEFINED

CUTTING-EDGE MOWER CONDITIONERS

The FC TL trailed, side-pull mower conditioners offer fast, clean mowing of heavy grasses and delicate forage crops combined with quick drydown from consistent, effective conditioning. Windrow widths can vary from narrow to a wide swath to adapt to different harvest practices and field conditions. These machines are the most advanced side-pull mower conditioners in the industry with the operational simplicity you want and the performance you demand for the maximum return on your investment.



CONSTANT FLOAT® SUSPENSION

The header is suspended on each side by a long, large-diameter spring that provides a constant range of flotation. The floating head lifts up and back, and oscillates from side to side, to closely follow ground contours and conform to irregular terrain. This reduces the amount of missed crop in the field and helps keep dirt out of the harvested crop.

PRO-ACTIVE LIFT®

This maintenance-free system allows the machine to quickly adapt to abrupt changes in terrain or when an obstruction is encountered in the field. The cutting head is able to move up and back simultaneously, dissipating the force of any impact and providing space to clear the obstacle. This unique design reduces scalping to preserve crop stubble and helps protect the machine from potential damage. A slotted linkage on each side provides guidance for the header and eliminates the need to run the hydraulics in the float position.

EASY CUTTING HEIGHT ADJUSTMENT

The header tilt turnbuckle provides a single point for cutting height adjustment. This allows fast, easy changing of the cutting height without the need for any tools.

SIMPLE WINDROW ADJUSTMENT

Windrow widths can be adjusted starting at a 3' wide swath and going up to a 8'8" wide swath depending on the model. When creating a windrow, the swathboard, located at the rear of the conditioning system, acts as a guide and directs the crop stream higher up on the fixed forming shields, resulting in a progressively narrower windrow.



EIGHT SET POSITIONS

The single-point adjustment handle offers eight set windrow width positions to match different harvesting practices and field conditions. Additional fine-tuning is possible by rotating the adjustment plate. Positions closer to the positive symbol mean wider swaths and positions closer to the negative symbol indicate that the swath board is up and will result in progressively narrower windrows.



WIDE SWATHING

Independent study results from forage agronomists are consistent: In normal conditions, wide swathing, to at least 70% of cut width, greatly reduces drying time. Faster drying provides greater flexibility to avoid bad weather, helping retain higher quality feed.

KUHN is the only full-line hay tool manufacturer offering standard-equipped mower conditioners that provide greater than 70% wide swathing. Without additional bolt-on parts or expensive optional equipment commonly required on competitive models, KUHN FC TL machines will produce swaths up to 75% of cut width.



TRAILED MOWER CONDITIONERS FC TC SERIES

FAST MOWING, FAST DRYDOWN

SUPERIOR PRODUCTIVITY

When productivity matters most, the FC TC trailed, center-pivot mower conditioners are the choice for you! These machines provide fast mowing and rapid, consistent drydown for maximum efficiency and a high-quality crop. With the broadest range of windrow width settings in the industry, they offer an unmatched ability to adapt to different harvest practices and field conditions.

ADVANCED SUSPENSION

The torsion bar suspension system provides exceptional flotation to precisely follow ground contours. The torsional resistance can be easily fine-tuned to match the header ground pressure to different field conditions and operating speeds. A built-in slotted linkage eliminates the need to run the hydraulics in the float position.

ARTICULATED CUTTING HEAD

The articulated head flexes up and down to closely follow ground contours. At the same time, the rear of the unit is linked to the main frame keeping crop dispersal at a constant height relative to the ground. This allows more consistent crop flow and better shaped windrows or swaths.



ADJUSTABLE FORMING SHIELDS

The adjustable forming shields allow the windrow width to be varied to match different harvest practices and weather conditions. Preset indications allow you to precisely match the setting on both sides. When not in use, the shields are easily removed and placed in the storage position on the tongue.



REAR HOOD ADJUSTMENT

The rear hood has one side with windrow formation shields and the opposite has fins to spread out wide swaths. The hood can be angled up and down in the windrow position to form narrower windrows. It can be easily flipped to the opposite side on wide spreading models. Both sides have tilt adjustability to either stand crop up for windier conditions or lay crop flat for sunnier conditions.



WIDE SPREADING

To spread the crop out and take advantage of sunny conditions for drying, crop can be laid out to over 90% of the cutting width. To keep mowed crop from being thrown into uncut areas the rear vanes pivot left and right via a pivoting cylinder. This depends on the position of the mower relative to the tractor on the FC 3160 and 3560. On the FC 4060 and FC 4460, the fixed vanes help you get the widest possible spread for the best possible dry down. *Standard on finger conditioner models and optional on roller models.*

OPTIONAL EQUIPMENT

FC TL Series / FC TC Series



1000 RPM DRIVE

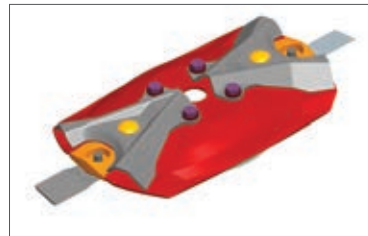
An optional 1000 RPM PTO offers flexibility for you to run the mower with a larger tractor and provides dependable operation in varied conditions.

Standard on FC 3560, 4060 TC, 4460 TC



HIGH-LIFT SKID SHOES

If you require a higher cut height for certain crops or rocky conditions, these skids are adjustable for cutting between 2.1" – 6".



CROP LIFTERS

Recommended only for sorghum or other hard feeding crops.

FC TL Series



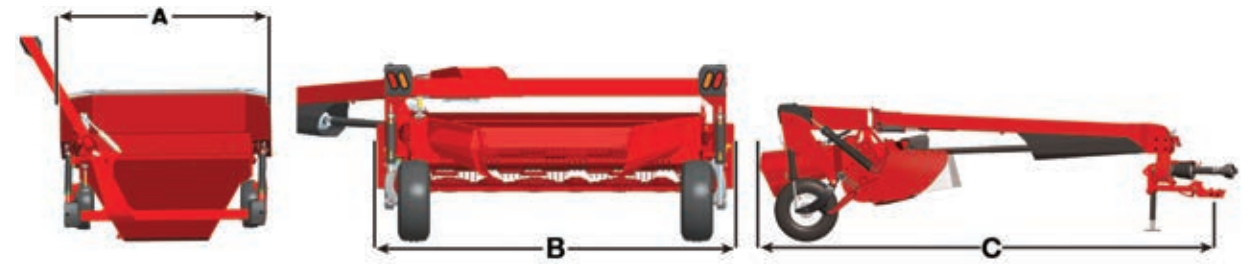
CV SECONDARY PTO SHAFT

For flexibility to steer around obstacles in the field with the mower's hydraulic swing cylinder, or to mow directly behind the tractor without PTO chatter, a secondary PTO shaft, equipped with a constant velocity joint, can be factory ordered or field installed. This option is highly recommended for operation with tractors that have narrow or typical row spaced tires.



PLASTIC ROCK GUARD

A rock guard can be mounted on the underside of the front hood for added protection in rocky conditions.



Model Specifications

SIDE-PULL MODELS	FC 2860			FC 3160			FC 3560		
	TLD	TLR	TLS	TLD	TLR	TLS	TLD	TLR	TLS
DIMENSIONS									
A – Width of Cut	9'2" (2.8 m)			10'2" (3.1 m)			11'6" (3.5 m)		
B – Transport Width	9.4" (2.8 m)			10'4" (3.2 m)			11'8" (3.6 m)		
C – Transport Length	18'4" (5.6 m)			19'3" (5.9 m)			19'3" (5.9 m)		
SPECIFICATIONS									
Min. – Max. Swath Width	3' – 6'8" (0.9 m – 2 m)			3' – 7'8" (0.9 m – 2.3 m)			3' – 8'8" (0.9 m – 2.6 m)		
Hitch Type	Drawbar or 2-Point Cat 2/3N			Drawbar or 2-Point Cat 2/3N			Drawbar or 2-Point Cat 2/3N		
Conditioning System	Finger	Rubber Roller	Steel Roller	Finger	Rubber Roller	Steel Roller	Finger	Rubber Roller	Steel Roller
Tire Size	9.5L-15SL			9.5L-15SL			12.5L-15SL		
Number of Discs	6			7			8		
PTO Speed (RPM)	540 (1,000 Optional)			540 (1,000 Optional)			540 (1,000 Optional)		
Disc Rotational Speed (RPM)	2,815			2,815			2,815		
Cutting Height	1.4"-2.6" (35-65 mm)			1.4"-2.6" (35-65 mm)			1.4"-2.6" (35-65 mm)		
Conditioning Speed (RPM)	755 & 1,000	780		755 & 1,000	780		755 & 1,000	780	
Conditioner Width	72" (1.8 m)	78" (2 m)		89" (2.3 m)	95" (2.4 m)		105" (2.7 m)	111" (2.8 m)	
Suspension Travel	+10" to -5.75" (+25.4 to -14.6 cm)			+10" to -5.75" (+25.4 to -14.6 cm)			+10" to -5.75" (+25.4 to -14.6 cm)		
Machine Weight	3,240 lbs (1,470 kg)	3,500 lbs (1,588 kg)	3,460 lbs (1,569 kg)	3,860 lbs (1,751 kg)	4,160 lbs (1,887 kg)	4,115 lbs (1,867 kg)	4,300 lbs (1,950 kg)	4,600 lbs (2,087 kg)	4,550 lbs (2,064 kg)
OPERATING INFORMATION									
Hydraulic Requirement	Two Double-Acting			Two Double-Acting			Two Double-Acting		
Minimum Power Requirement	67 hp (50 kW)			80 hp (60 kW)			93 hp (70 kW)		

Model Specifications

CENTER-PIVOT MODELS	FC 3160			FC 3560			FC 4060			FC 4460		
	TCD	TCR	TCS	TCD	TCR	TCS	TCD	TCR	TCS	TCD	TCR	TCS
DIMENSIONS												
A – Width of Cut	10'2" (3.1 m)			11'6" (3.5 m)			13'1" (4.0 m)			14'5" (4.4 m)		
B – Transport Width	10'4" (3.2 m)			11'8" (3.6 m)			13'2" (4.0 m)			14'7" (4.5 m)		
C – Transport Length	22'1" (6.7 m)			22'1" (6.7 m)			23'11" (7.3 m)			26'6" (8.1 m)		
SPECIFICATIONS												
Min. – Max. Swath Width	2'11" – 7'7" (0.9 m – 2.3 m)			3'7" – 8'10" (1.1 m – 2.7 m)			3'7" – 8'10" (1.1 m – 2.7 m)			3'7" – 8'10" (1.1 m – 2.7 m)		
Max. Wide Spreading	9'2" (2.8 m)			10'4" (3.2 m)			12'2" (3.7 m)			12'2" (3.7 m)		
Hitch Type	Drawbar or 2-Point Cat 2/3N			Drawbar or 2-Point Cat 2/3N			Drawbar or 2-Point Cat 2/3N			Drawbar or 2-Point Cat 2/3N		
Conditioning System	Finger	Rubber Roller	Steel Roller	Finger	Rubber Roller	Steel Roller	Finger	Rubber Roller	Steel Roller	Finger	Rubber Roller	Steel Roller
Tire Size	12.5L – 15SL			12.5L – 15SL			12.5L – 15SL			12.5L – 15SL		
Number of Discs	7			8			9			10		
PTO Speed (RPM)	540 (1,000 Optional)			1,000			1,000			1,000		
Disc Rotational Speed (RPM)	2,900			2,900			2,900			2,900		
Cutting Height	1.4" - 2.6" (35-65 mm) Optional Raised Skids Available			1.4" - 2.6" (35-65 mm) Optional Raised Skids Available			1.4" - 2.6" (35-65 mm) Optional Raised Skids Available			1.4" - 2.6" (35-65 mm) Optional Raised Skids Available		
Conditioning Speed (RPM)	755 & 1,000	780		755 & 1,000	780		755 & 1,000	780		755 & 1,000	780	
Conditioner Width	97" (2.5 m)			113" (2.9 m)			113" (2.9 m)			113" (2.9 m)		
Suspension Travel	+10" to -5.75" (+25.4 to -14.6 cm)			+10" to -5.75" (+25.4 to -14.6 cm)			+10" to -5.75" (+25.4 to -14.6 cm)			+10" to -5.75" (+25.4 to -14.6 cm)		
Machine Weight	5,213 lbs (2,365 kg)	5,523 lbs (2,505 kg)	5,423 lbs (2,460 kg)	5,545 lbs (2,515 kg)	5,765 lbs (2,615 kg)	5,665 lbs (2,570 kg)	5,850 lbs (2,655 kg)	6,120 lbs (2,775 kg)	6,020 lbs (2,730 kg)	6,240 lbs (2,830 kg)	6,405 lbs (2,905 kg)	6,305 lbs (2,860 kg)
OPERATING INFORMATION												
Hydraulic Requirement	1 SA & 1 DA			1 SA & 1 DA			1 SA & 1 DA			1 SA & 1 DA		
Minimum Power Requirement	80 hp (60 kW)			93 hp (70 kW)			107 hp (80 kW)			122 hp (90 kW)		

COMPLEMENTARY PRODUCTS



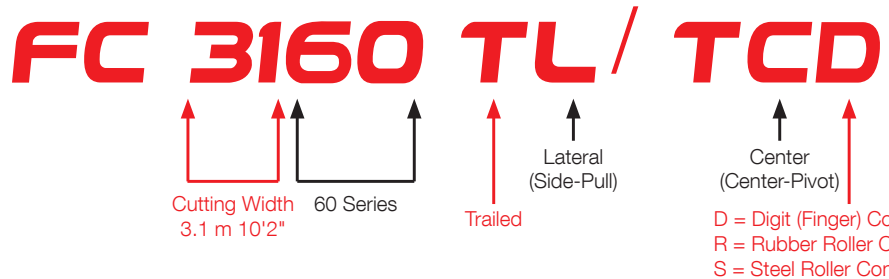
1. Tedders
2. Wheel Rakes
3. Rotary Rakes
4. Mergers
5. Balers
6. TMR Mixers

OLD WORLD KNOW-HOW, NEW WORLD INGENUITY

TL and TC mower conditioners were jointly developed and tested in the factories and fields of North America and Europe. This combination of talents and diversity of experiences allows KUHN to deliver the most advanced and proven mower conditioners on the market!

UNDERSTANDING THE MODEL NUMBERS

As you can see from the example to the right, the KUHN model numbers are designed to be completely understandable to you and your dealer so there is no confusion when purchasing and servicing machines. This is part of KUHN's commitment to being there for you, from start to finish.



For more information about your nearest KUHN dealer and other KUHN products, visit our website at www.KuhnNorthAmerica.com



Visit our YouTube channel to watch our latest product videos.



Your KUHN dealer

KUHN NORTH AMERICA, INC.
 Corporate Headquarters
 1501 West Seventh Avenue - Brodhead, WI 53520

Information given in this document is only for informational purposes and is non-contractual. Our machines are in compliance with North American safety standards. In our literature, and for improved illustration of certain details, some safety devices may not be in operating position. When operating these machines, these devices must be operated in accordance with the requirements indicated in the operator's manuals and assembly manuals. We reserve the right to change any designs, specifications or materials listed without further notice. Machines and equipment in this document can be covered by at least one patent and/or registered design. Trademarks cited in this document may be registered in one or several countries.

Find us on