



**OPERATIONS & PARTS MANUAL**

**FOR MODELS:**

- DD400

PURCHASE DATE	MODEL NO.	SERIAL NUMBER
DEALER		

## **TABLE OF CONTENTS**

<b>3</b>	INTRODUCTION & SAFETY
<b>7</b>	OPERATION
<b>8</b>	TRANSPORT
<b>9</b>	SET UP
<b>11</b>	MAINTENANCE
<b>13</b>	EXPLODED VIEW & PARTS LIST

Thank you for purchasing our product. Manufactured to a high standard, this product will, if used according to these instructions, and properly maintained, give you years of trouble-free performance.

**IMPORTANT:** PLEASE READ THESE INSTRUCTIONS CAREFULLY. NOTE THE SAFE OPERATIONAL REQUIREMENTS, WARNINGS & CAUTIONS. USE THE PRODUCT CORRECTLY AND WITH CARE FOR THE PURPOSE FOR WHICH IT IS INTENDED. FAILURE TO DO SO MAY CAUSE DAMAGE AND/OR PERSONAL INJURY AND WILL INVALIDATE THE WARRANTY. KEEP THESE INSTRUCTIONS SAFE FOR FUTURE USE.



Refer to instructions



Wear protective gloves



Wear protective clothing



Wear safety footwear

## SAFETY

### **⚠ WARNING!**

**This tank must ONLY be used for diesel fuel.**

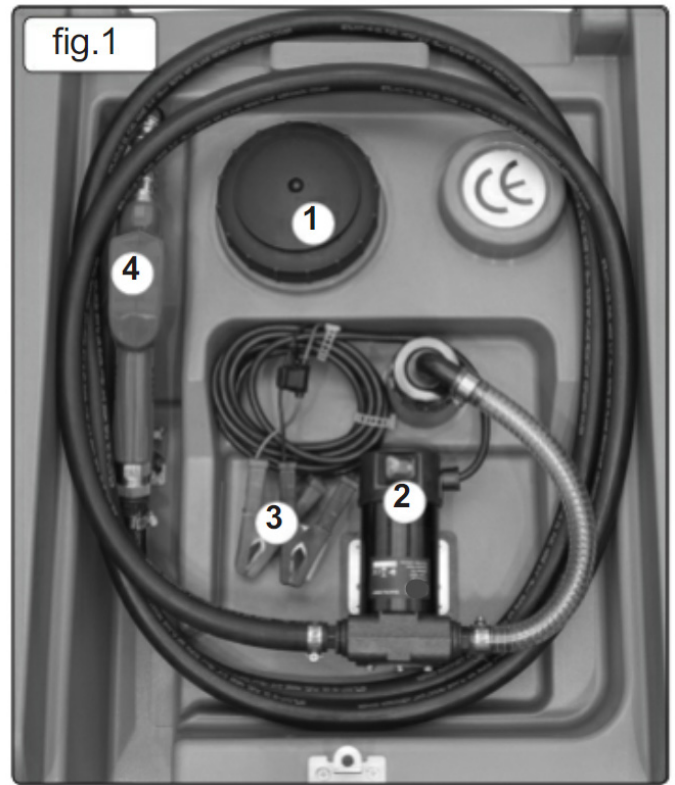
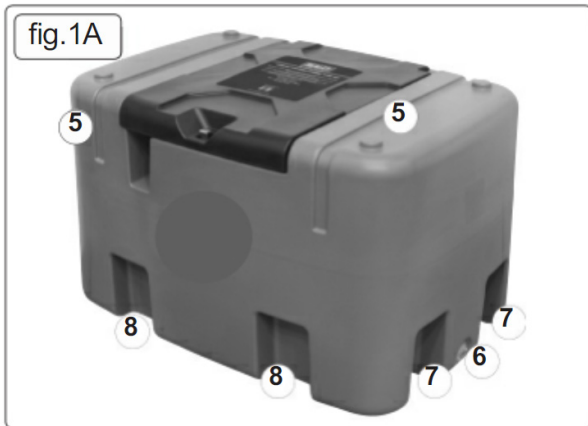
- Place the tank on a flat surface before filling.
- Secure the tank to strong points with ratchet straps before transporting in or on a vehicle.
- Maintain the pump in good condition (use an authorized service agent).
- Replace or repair damaged parts. Use recommended parts only. Non authorized parts may be dangerous and will invalidate the warranty.
- Keep the pump clean for best and safest performance.
- Ensure the power supply (vehicle battery) corresponds with the requirements of the pump (12V DC).
- Disconnect from battery when not in use.
- Wear protective gloves, and protective clothing when working around fuel.
- Keep children and unauthorized persons away from the working area.
- DO NOT place the tank near any heat source.
- DO NOT start or stop the pump by connecting or disconnecting the battery clamps.
- DO NOT allow the unit to get wet.
- DO NOT operate the pump with wet hands.
- DO NOT use the pump where explosive or flammable vapours may be present.
- DO NOT tamper with the pump connections.

## INTRODUCTION

Manufactured of LLDPE for the safe transportation and dispensing of diesel fuel when supplying on site equipment. Complies to ADR 1.1.3.1.C for exemption from requirements of ADR regulations. Supplied with a 12V electric pump, 4mtr electric cable and clamps and a 4mtr delivery hose with automatic fuel nozzle. Can be safely secured and transported on a pick-up truck or van, using grooves for tie-down straps and 6 handles for positioning. Supplied with lockable cover. Not suitable for petrol.

SPECIFICATION	
Model No:	DD400
Voltage:	12V
Current:	15A
Power:	180W
Tank capacity:	400l
Flow rate:	20l/min
Duty cycle:	30 mins pm / 30 mins off
Dimensions (W x D x H):	1100 x 800 x 720mm
Nett Weight:	43.16kg

KEY (FIG 1 & FIG 1A)	
1	Breather Lid
2	Pump On/Off Switch
3	Battery Clips
4	Automatic Fluid Nozzle
5	Securing Strap Locations
6	Vent Plug
7	Fork Locations
8	Moulded Hand Holds



## OPERATION

### TRANSPORT

Move the empty tank assembly with two persons using the hand holds moulded into the base of the unit (fig.1A.8).

Move by forklift truck using the fork locations shown in (fig.1A.7). Ensure that the filler (fig.1A.1) is closed before moving.

Secure the tank to the carrying vehicle by ratchet straps. Locations for the straps are moulded into the tank (fig.1A.5).

### FILLING

DO NOT run the pump without fuel in the tank. To do so will damage the pump's internal components and will invalidate your warranty.

The tank is filled by unscrewing the filler (fig.1.1) in an anticlockwise direction. Refit the filler cap immediately after filling.

WARNING take care not to overfill the tank.

### FUEL DISPENSING

Before connecting to a battery, make sure that the pump switch (fig.5.2) is in the 'off' (O) position. Connect the battery clips to the 12V battery, observing correct polarity (red clamp to +ve terminal, black clamp to -ve terminal).

Switch the pump switch to the 'on' (I) position.

Unwind sufficient hose and place the nozzle (fig.4) in the receiving tank and pull the trigger (fig.4). Delivery will commence and continue until the trigger is released.

The trigger can be locked in one of three positions by engaging the latch (fig.4) to hold the trigger open. DO NOT leave the nozzle unattended with the trigger latched open.

Slight pressure on the trigger will release the latch.

When the level in the receiving tank reaches the nozzle, delivery will stop automatically.

When delivery is complete, switch off the pump. Ensure the hose is wound into its housing on the tank and that the nozzle is secured in its storage place.

DO NOT operate the pump continuously for more than 30 minutes. The duty cycle of the unit is 30 minutes, after which the motor must be left to cool down for a further 30 minutes.

DO NOT run the unit for more than 2-3 minutes with the delivery nozzle closed.

## MAINTENANCE

The pump contains no user-serviceable parts.

Repairs should only be undertaken by competent persons.

Check the integrity of all the hose connections periodically. If any leakage is evident, strip the joint and wind PTFE tape around the male thread.

Check all electrical connections and cables for wear and damage. Rectify any faults found.

Keep clean, especially the dispenser nozzle.

Clean with a damp, soapy cloth.

DO NOT use abrasive or solvent cleaners.



2



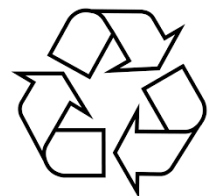
## ENVIRONMENT PROTECTION

Recycle unwanted materials instead of disposing of them as waste. All tools, accessories and packaging should be sorted, taken to a recycling center and disposed of in a manner which is compatible with the environment. When the product becomes completely unserviceable and requires disposal, drain any fluids (if applicable) into approved containers and dispose of the product and fluids according to local regulations.

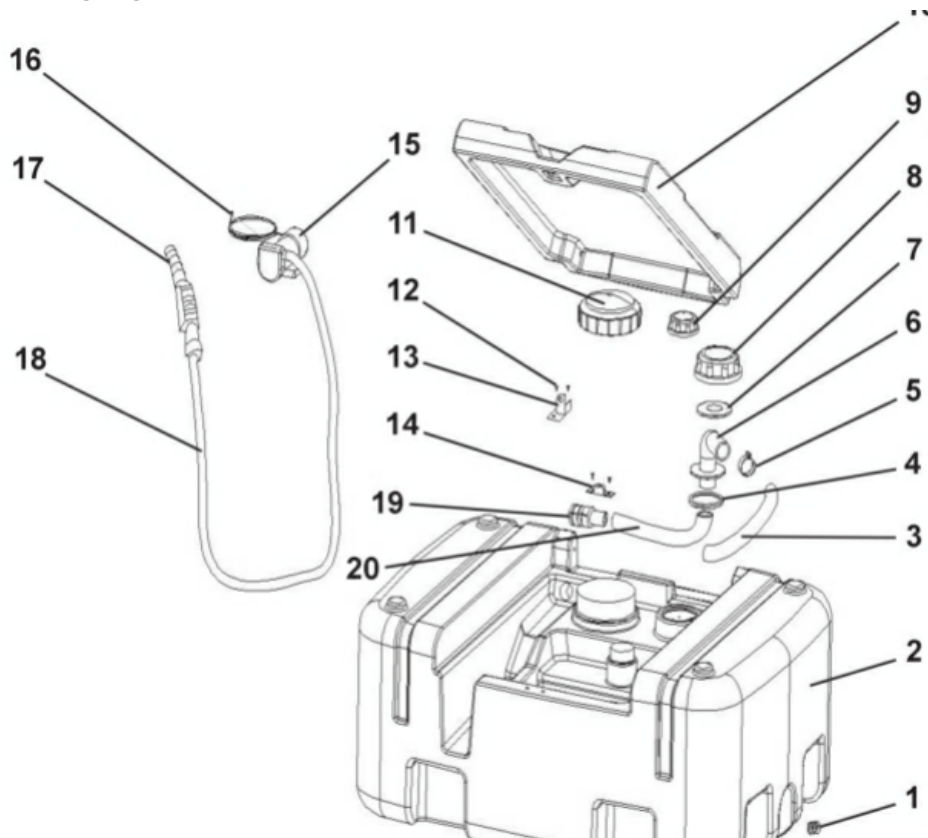
Note: It is our policy to continually improve products and as such we reserve the right to alter data, specifications and component parts without prior notice.

Important: No Liability is accepted for incorrect use of this product.

Warranty: Guarantee is 24 months from purchase date, proof of which is required for any claim.



## EXPLODED VIEW & PARTS LIST



REF	PART NUM	DESCRIPTION
1	DD400.01	Vent Plug
2	DD400.02	Tank 400L
3	DD400.03	3/4" Connection Hose
4	DD400.04	Lower Seal for Suction Elbow
5	DD400.05	Hose Clip
6	DD400.06	Suction Elbow
7	DD400.07	Upper Seal for Suction Elbow
8	DD400.08	Suction Cap
9	DD400.09	Level Gauge
10	DD400.10	Tank Lid
11	DD400.11	Breathing Cap
12	MSP610.S	Machine screw pan Head Phillips M6 x 10mm
13	DD400.13	Nozzle Holder
14	DD400.14	Tank Lid Lock Holder
15	DD400.15	Electric Pump 12V
16	DD400.16	Bracket for Electric Pump
17	DD400.17	Automatic fluid Nozzle
18	DD400.18	Delivery Hose 4 mt
19	DD400.19	Filter
20	DD400.20	Hose

NOTE: It is our policy to continually improve products and as such we reserve the right to alter data, specifications and component parts without prior notice.

IMPORTANT: No liability is accepted for incorrect use of product. Spare parts must be fitted by a competent person

WARRANTY: Guarantee is 24 months from purchase date, proof of which will be required for any claim.





**BRABEREQ.COM**  
WGSALES@BRABEREQ.COM

**PHONE: 604-850-7770**  
**FAX: 604-850-7774**  
**TOLL FREE PHONE: 1-877-588-3311**  
**TOLL FREE FAX: 1-800-665-7334**