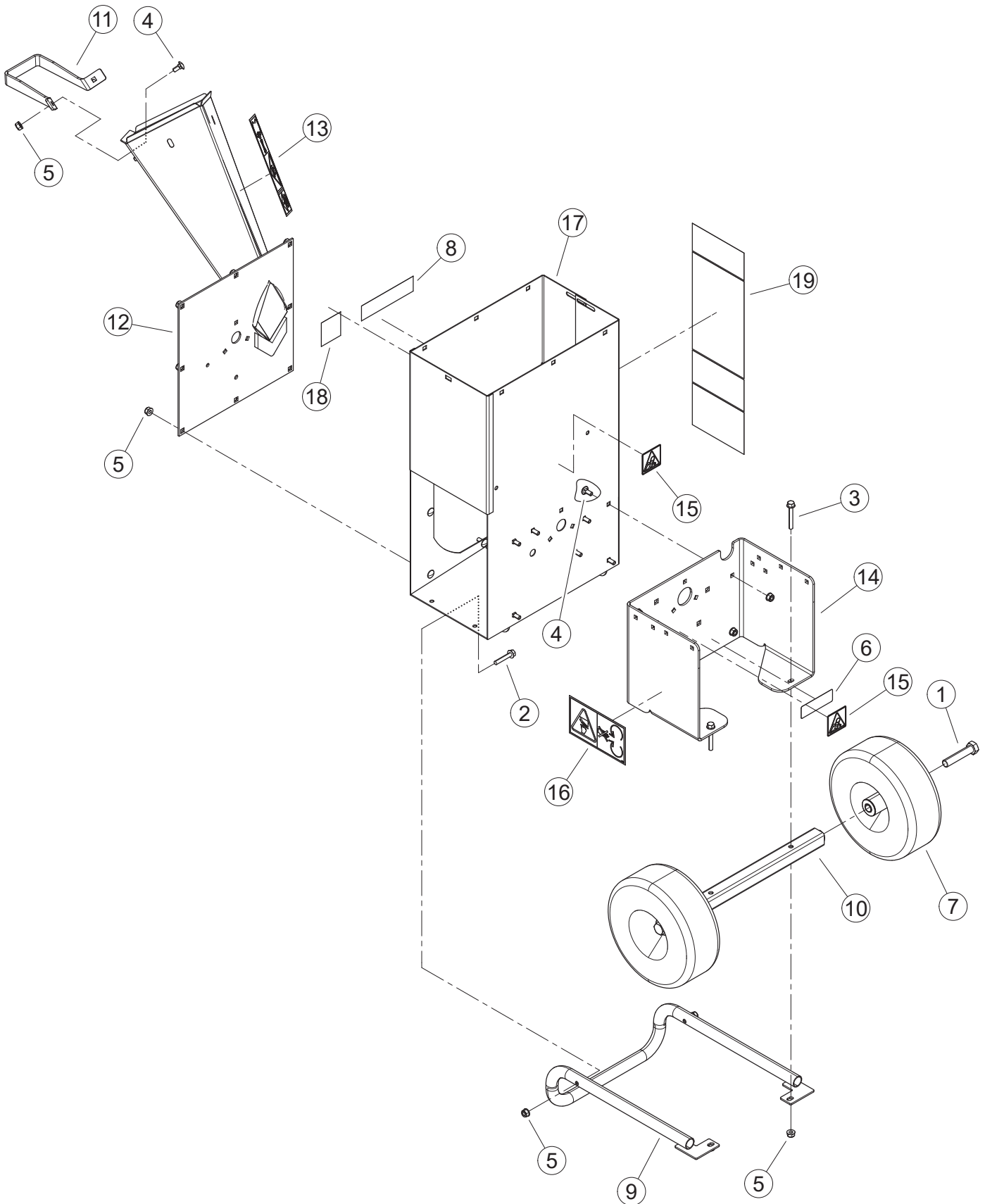
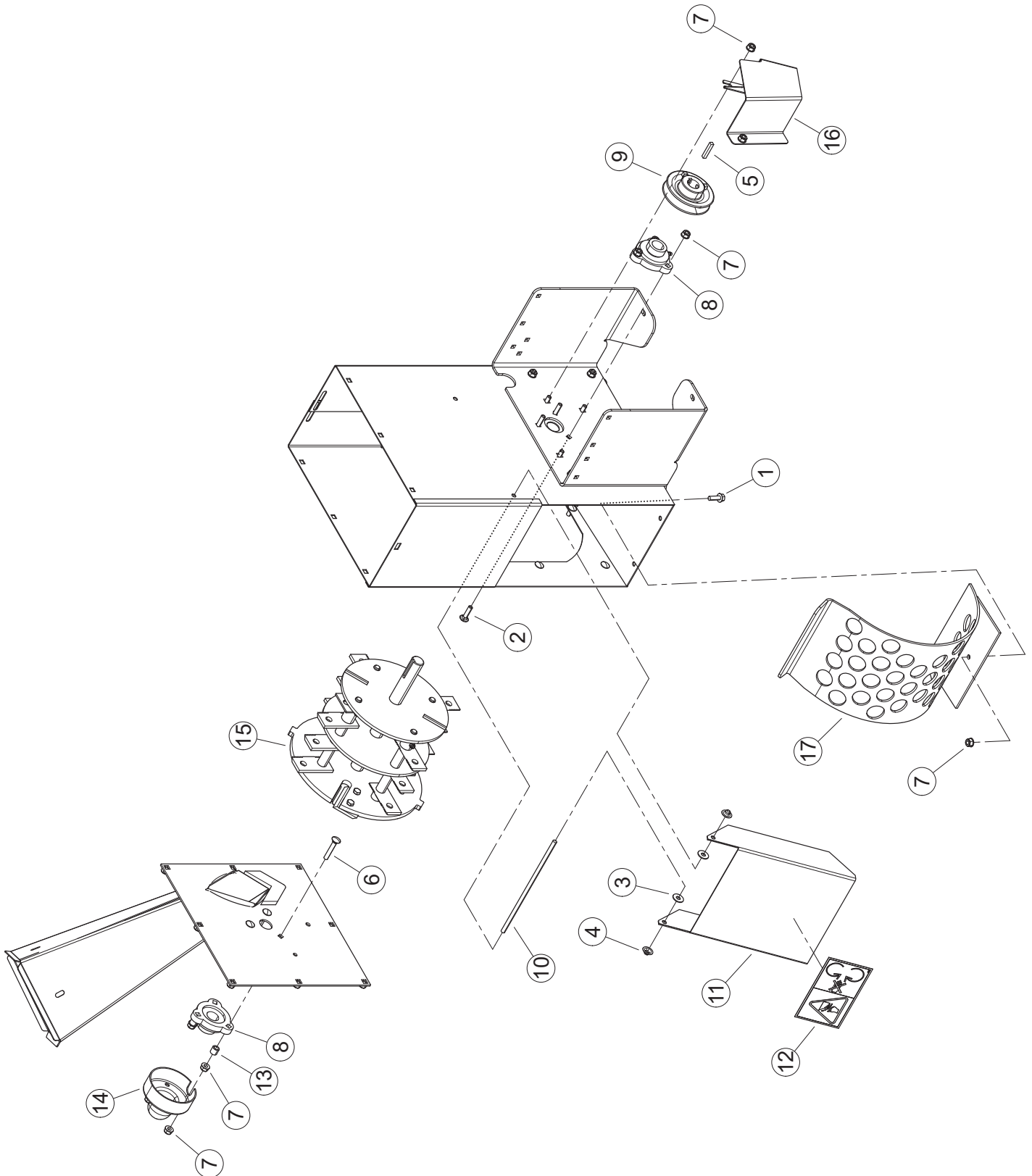


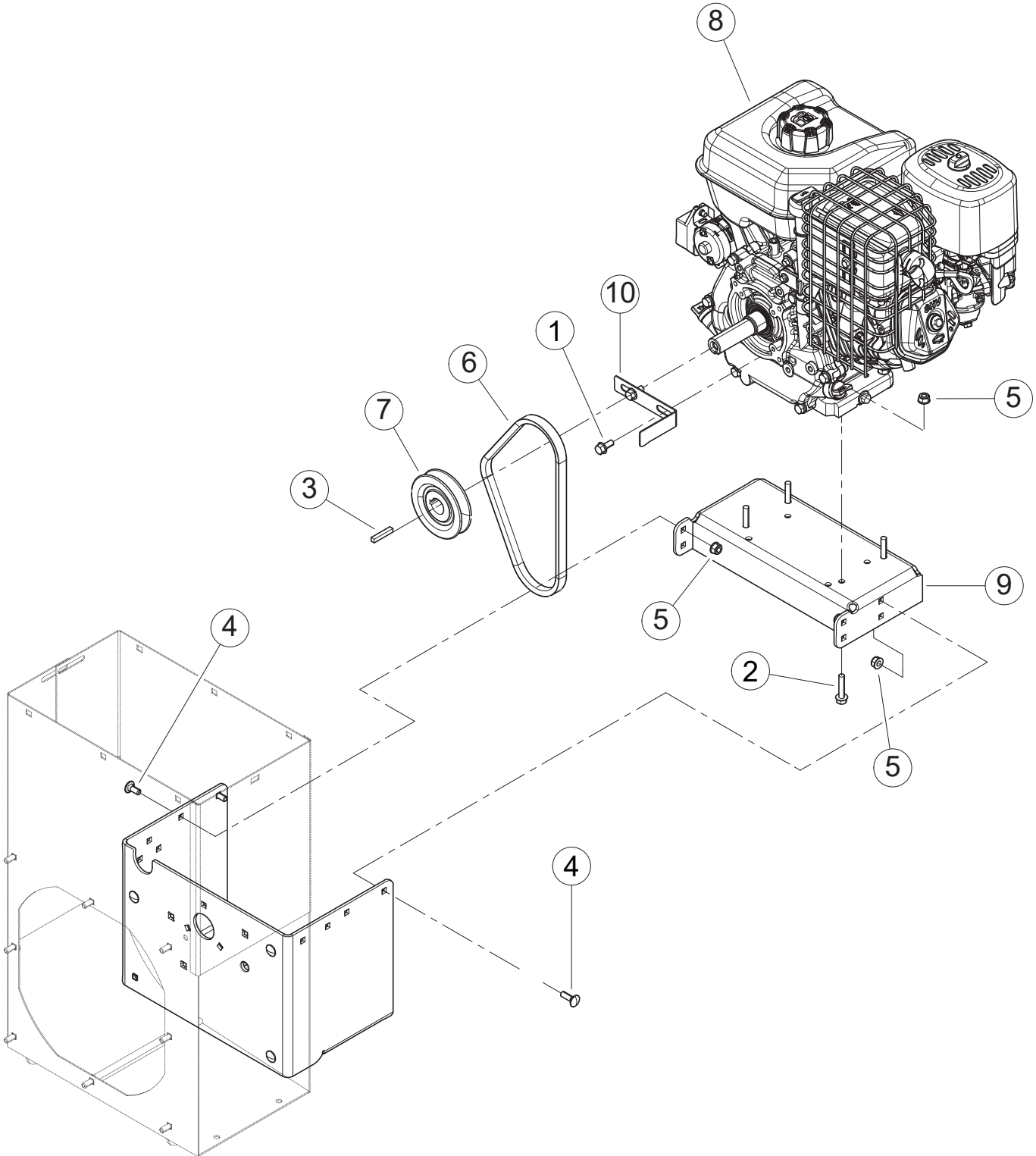
| | |
|-----------------------------------|-----------|
| Body | 2 |
| Body | 3 |
| Rotor & Bearings | 4 |
| Rotor & Bearings | 5 |
| Engine | 6 |
| Motor | |
| Engine | 7 |
| Motor | |
| Idler | 8 |
| Idler | 9 |
| Hopper | 10 |
| Hopper | 11 |



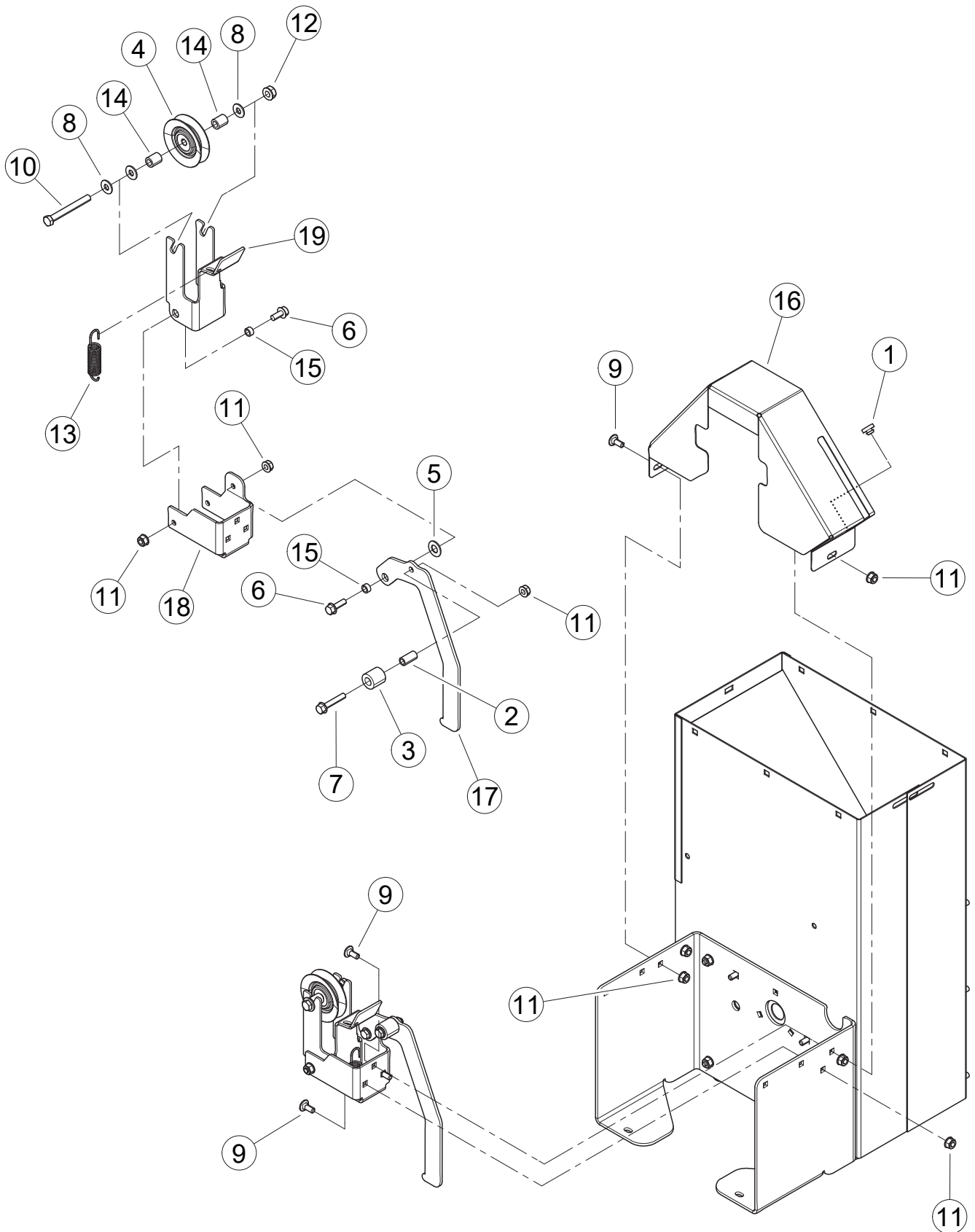
| ITEM | PART NUMBER | QTY | DESCRIPTION |
|------|-------------|-----|---|
| 1 | YH434000010 | 2 | BOLT, 5/8 × 3 HEX HD GR5 ZP |
| 2 | YH436000070 | 2 | BOLT, 5/16 × 1-3/4 FLANGE NC |
| 3 | YH436000080 | 2 | BOLT, 5/16 × 2-1/4 FLANGE NC |
| 4 | YH434000050 | 14 | BOLT, 5/16 × 3/4 GR5 CRG NC ZP |
| 5 | YH449000040 | 18 | NUT, 5/16-18 NYLOCK FLANGE |
| 6 | - | 1 | DECAL, SERIAL NUMBER |
| 7 | YH478000060 | 2 | ASSEMBLY, 410/350-4 FLAT-FREE WHEEL |
| 8 | YH653000450 | 1 | +DECAL, MODEL SC-3013 |
| 9 | YH479001440 | 1 | WELDMENT, SUPPORT LEG LONG |
| 10 | YH479001570 | 1 | WELDMENT, AXLE 3 IN CHIPPER |
| 11 | YH466000410 | 1 | HANDLE, CHIPPER CHUTE 3 IN |
| 12 | YH479001610 | 1 | ASSEMBLY, 3 IN FRONT PLATE COMP (includes Item 13) |
| 13 | YH653000210 | 1 | +DECAL, 3" CHIPPER CHUTE |
| 14 | YH479001630 | 2 | ASSEMBLY, BASE 3 IN CHIPPER SERVICE (includes Items 15 & 16) |
| 15 | YH653000170 | 1 | +DECAL, SHIELD DANGER ISO |
| 16 | YH653000180 | 1 | +DECAL, BLADE DANGER ISO |
| 17 | YH479001640 | 1 | ASSEMBLY, 3" C/S WIDE BODY SERVICE (INCLUDES ITEMS 8, 15, 18, AND 19) |
| 18 | YH653000220 | 1 | +DECAL, 3" CHIPPER BODY SIDE |
| 19 | YH653000290 | 1 | +DECAL, SPARK ARRESTOR |



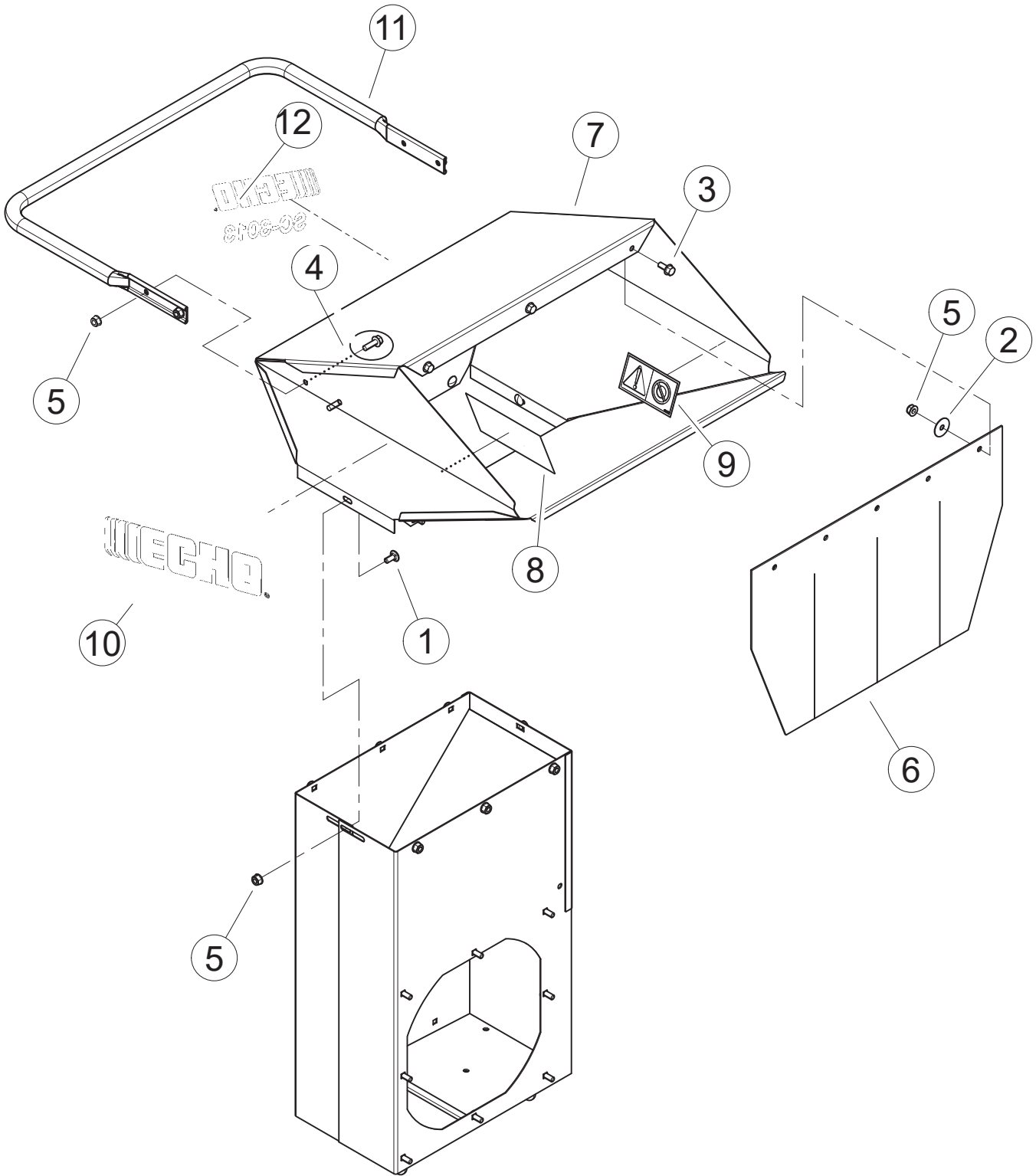
| ITEM | PART NUMBER | QTY | DESCRIPTION |
|------|-------------|-----|--|
| 1 | YH436000050 | 4 | BOLT, 5/16 x 1 FLANGE NC |
| 2 | YH434000060 | 3 | BOLT, 5/16 x 1-1/4 GR5 CRG |
| 3 | YH451000470 | 2 | WASHER, 5/16" ID 7/8" OD NYLON FLAT |
| 4 | YH452000660 | 2 | PUSHNUT, 5/16" ZP |
| 5 | YH469000050 | 1 | KEY, 1/4 SQ x 1-1/2 LG PLAIN |
| 6 | YH434000080 | 3 | BOLT, 5/16 x 2" GR5 CRG NC ZP |
| 7 | YH449000040 | 13 | NUT, 5/16-18 NYLOCK FLANGE |
| 8 | YH453000120 | 2 | BEARING, 1" FLUSH MOUNT CAST W/ COLLAR |
| 9 | YH472000040 | 1 | PULLEY, CAST 4" OD 1" BORE B GRV |
| 10 | YH466000440 | 1 | SHAFT, DOOR PIVOT |
| 11 | YH479000810 | 1 | DOOR, DISCHARGE 8 HP W/ DECAL (includes Item 12) |
| 12 | YH653000180 | 1 | +DECAL, BLADE DANGER ISO |
| 13 | YH475000090 | 3 | SPACER, .54 OD x .50" LG |
| 14 | YH468000110 | 1 | CAP, ROTOR SHAFT END CAP RENTAL |
| 15 | YH457000080 | 1 | ASSEMBLY, WIDE ROTOR W/ RECT KNIVES |
| 16 | YH479001030 | 1 | SHIELD, LOWER |
| 17 | 99944300002 | 1 | WELDMENT, WIDE COARSE TAPERED |



| ITEM | PART NUMBER | QTY | DESCRIPTION |
|------|-------------|-----|-------------------------------------|
| 1 | YH436000020 | 2 | BOLT, 5/16 × 3/4 SERRATED FLANGE NF |
| 2 | YH436000060 | 4 | BOLT, 5/16 × 1-1/2 FLANGE NC |
| 3 | YH469000050 | 1 | KEY, 1/4 SQUARE × 1-1/2 LONG PLAIN |
| 4 | YH434000030 | 4 | Bolt, 5/16 x 1 CRG GR5 ZP |
| 5 | YH449000040 | 8 | NUT, 5/16-18 NYLOCK-FLANGE |
| 6 | YH454000000 | 1 | BELT, 29" C/S |
| 7 | YH472000040 | 1 | PULLEY,CAST 4" OD 1" BORE B GRV |
| 8 | – | 1 | ENGINE, 306cc B&S HORIZONTAL |
| 9 | YH479001000 | 1 | PLATE, ENGINE MOUNTING |
| 10 | YH466000320 | 1 | GUIDE, BELT |



| ITEM | PART NUMBER | QTY | DESCRIPTION |
|------|-------------|-----|---------------------------------|
| 1 | YH468000490 | 1 | BUMPER, RUBBER |
| 2 | YH475000190 | 1 | SPACER, 0.5 × 1.00 |
| 3 | YH453000130 | 1 | ROLLER, 0.5 × 1.00 × 1.00 NYLON |
| 4 | YH472000070 | 1 | IDLER, INSIDE |
| 5 | YH451000480 | 1 | WASHER, 1/2 INCH NYLON |
| 6 | YH436000030 | 2 | BOLT, 5/16 × 7/8 FLANGE NC |
| 7 | YH436000070 | 1 | BOLT, 5/16 × 1-3/4 FLANGE NC |
| 8 | YH451000440 | 3 | WASHER, 5/16" FLAT ZP |
| 9 | YH434000050 | 3 | BOLT, 5/16 × 3/4 GR5 NC ZP CRG |
| 10 | YH434000090 | 1 | BOLT, 3/8 × 3-1/4 HEX HD GR5 ZP |
| 11 | YH449000040 | 6 | NUT, 5/16-18 NYLOCK-FLANGE |
| 12 | YH449000050 | 1 | NUT, 3/8-16 NYLOCK FLANGE |
| 13 | YH476000170 | 1 | SPRING, 3/4" OD EXTENSION |
| 14 | YH475000070 | 2 | SPACER, 3/4" LONG IDLER TUBE |
| 15 | YH475000180 | 2 | SPACER, .50 × .25 |
| 16 | YH479001020 | 1 | SHIELD, UPPER |
| 17 | YH470000860 | 1 | HANDLE, ENGAGEMENT |
| 18 | YH479001600 | 1 | MOUNT, IDLER BRACKET |
| 19 | YH466000400 | 1 | BRACKET, IDLER 3 IN CHIPPER |



| ITEM | PART NUMBER | QTY | DESCRIPTION |
|------|-------------|-----|---|
| 1 | YH434000110 | 8 | BOLT, 5/16-18 × 3/4 SN GR5 CRG |
| 2 | YH451000070 | 3 | WASHER, 5/16" FENDER ZP |
| 3 | YH436000010 | 3 | BOLT, 5/16 × 3/4 FLANGE NC |
| 4 | YH436000050 | 4 | BOLT, 5/16 × 1 FLANGE NC |
| 5 | YH449000040 | 15 | NUT, 5/16-18 NYLOCK FLANGE |
| 6 | YH479000840 | 1 | BELTING, RENTAL HOPPER |
| 7 | YH479000960 | 1 | ASSEMBLY, WIDE BODY RENTAL HOPPER W/ DECALS (includes Items 8,9,10 & 12). |
| 8 | YH653000180 | 1 | +DECAL, BLADE DANGER ISO |
| 9 | YH653000190 | 1 | +DECAL, SHREDDER SIZE ISO |
| 10 | YH653000670 | 2 | +DECAL, ECHO |
| 11 | YH479000970 | 1 | HANDLE, RENTAL HOPPER |
| 12 | YH653000450 | 1 | +DECAL, MODEL ECHO SC-3013 |