



OPERATIONS & PARTS MANUAL

FOR MODELS:

- BE-Z175

PURCHASE DATE	MODEL NO.	SERIAL NUMBER
DEALER		

TABLE OF CONTENTS

3	INTRODUCTION & SAFETY
7	OPERATION
8	TRANSPORT
9	SET UP
11	MAINTENANCE
13	EXPLODED VIEW & PARTS LIST

INTRODUCTION

Considering the importance of the information, this service manual constitutes an inseparable part of the mower.

Compliance with all recommendations of this manual will let you optimally exploit the machine. Careful reading will ensure safe and effective work with the mower.

The mower is made according to the safety standards' requirements. Compliance with the warnings and instructions of this manual guarantees the safety of the user.

To use the machine failure-free for many years we recommend usage of only original spare parts.

APPROPRIATE USE OF THE MACHINE

The mower is assigned only for agricultural works - mowing the grass and low-stem green forage on even fields and meadows. Using this machine for other purpose will be understood as an inappropriate.

Fulfillment of the manufacturer's requirements regarding usage of the mower, servicing and repairs as well as thorough compliance with these requirements is a condition of appropriate usage.

The mower should be used and repaired only by a person who is acquainted with its characteristics and rules of behaving due to safety principles.

Rules relating to accident prevention as well as all basic rules of the safety and occupational medicine, and also the traffic rules should be always complied with.

Changes made by an unauthorized person can relieve the producer from the responsibility for possible harms and damages.

SAFETY OF USE

IMPORTANT INFORMATION FOR A USER THE WARNING SYMBOL

This warning symbol points important information referring danger to body or life of people and animals, which is showed in the service manual. If you see the symbol - be aware and read carefully the given information.



GENERAL SAFETY PRINCIPLES

BE CAREFUL - THOROUGHLY READ THE INSTRUCTIONS IN ORDER NOT TO EXPOSE YOURSELF AND OTHERS TO A DANGER.

REMEMBER

To comply with safety principles and keep the precautionary measures referring the mower as well as safety of use.

Every user must completely know all the possible dangers and ways of avoiding the harm or damages.

NEVER

Let the children or youth under 18 operate the mower.

NEVER

Let the people unacquainted with maintenance and safety principles operate the mower.

NEVER

Let the children play on the mower or nearby, even when it is not working or stored.

BEFORE

Starting the mower make sure that there is no people or animals in a 50 m distance from the mower.

DETAILED SAFETY PRINCIPLES

PREPARATION FOR WORK

- CAREFULLY read the service manual. Be absolutely sure that you are acquainted with all the safety and mower operating instructions referring the preparation for work, transport and storage of the machine. If you do not follow the given instructions the producer do not answer for the possible harms or damages.
- THE USER should have carefully buttoned up, not too loose clothing to avoid catching by protruding parts or possible driving into rotating parts.
- FOR DRIVING the mower use the PTO drive shaft with one-way clutch of the type given in the manual. Protect shields of the PTO shaft against turning according to the PTO shaft service manual. The PTO shaft must have complete shields. Do not use PTO shaft that is not working properly or has damaged shields.
- CONTROL the condition of the mower, tighten the bolts and check the fastening of all the moving and protecting elements before linking the mower and tractor into a working unit.
- WHILE CONNECTING AND DISCONNECTING the mower to and from the tractor be especially careful.
- VERY CAREFULLY approach the mower with the tractor to set the fastening points of the three-point suspension system and power take-off – power input shafts in a close position. No person should be between the tractor and the mower at that time. All the operations of connecting the tractor with the mower should be executed only after you stop the engine, immobilize the tractor with a handbrake and take the ignition key off.
- ALWAYS make sure there is no people or animals near the mower, before lifting.
- DO NOT LEAVE the mower in lifted position on the tractor's three-point suspension system.
- BEFORE YOU LEAVE the tractor ALWAYS lower the mower onto the still and flat ground, stop the drive of PTO shaft, stop the engine, take the ignition key off.
- NEVER USE the mower without protective shields and aprons. Working without shields or with damaged shields is forbidden because of the danger of throwing stones or other hard objects by rotating drums.
- START the mower after setting all elements in working position. Starting the mower in transport position is FORBIDDEN.
- BEFORE setting the mower in transport position, ALWAYS disconnect the PTO shaft from the tractor.
- NEVER start the mower in closed rooms due to harmful exhaust gases.

DISCONNECTING THE MOWER FROM THE TRACTOR FOR THE STOP AND STORAGE.

DISCONNECT THE PTO SHAFT only after you put the mower on the ground, stop the engine, immobilize the tractor and take the ignition key off.

- BEFORE YOU DISCONNECT the mower from the tractor lower the support and block it with a pin.
- PLACE the mower for the stop and storage in the room, where other people, children or animals do not enter.
- PROTECT the mower against the reach of children.
- DURING STORAGE ALWAYS put the mower on the support.

TECHNICAL MAINTENANCE

- MAINTAIN the mower during the stop, before connecting it to the tractor. If you have to service it when connected to the tractor, proceed as follows:
 - Put the mower on the ground
 - Stop the engine, immobilize the tractor with a handbrake, take the ignition key off and disconnect the PTO shaft

After switching off the drive, drums of the mower rotate with inertial reaction for about one minute and you must wait until they stop.

- EVERYDAY CHECK the condition of the bolt connections and tighten the loosed parts, if necessary, before you start the work.
- CONTROL THE LEVEL of possible wear or damage of parts, especially knives and knife holders, and replace them, if necessary, early enough with original spare parts offered by the producer of the mower.

SAFETY SIGNS

The warning and information labels are put on the mower in places showed at Fig.1.

Warnings and information are given as pictograms that show clear instructions where to put especial attention to work safely with the mower.

Carefully watch every label and thoroughly check the meaning in this chapter of the service manual.

Keep the labels clear and readable while using the mower.

If any label is damaged, illegible or lost replace it with a new one.

New assemblies and parts which are replaced during repairs should be marked with all necessary labels shown in this manual.

You can purchase new labels at producer or dealer. While ordering, please advise catalogue number of the label (given at Fig.1.)

List of the warning and information labels placed on the mower.



GENERAL WARNINGS. During operating the mower comply with all warnings and safety principles marked with this sign.



CAREFULLY READ the service manual before you start to work with the machine.



STOP THE TRACTOR'S ENGINE and take the ignition key off before any service or repair.



DO NOT TOUCH moving parts of the machine until they are absolutely still.



MIND THE SPINNING KNIFE. Stay away from the spinning knives while mower is working.



DO NOT USE THE MOWER:

1. closer than 50 m from people or animals
2. on a stony ground or ground with constant obstacles.



DO NOT STAY within the bend of the unit while tractor's engine is working.



DO NOT STAY OR MAINTAIN THE MOWER WITHIN THE LIFTED MACHINE.

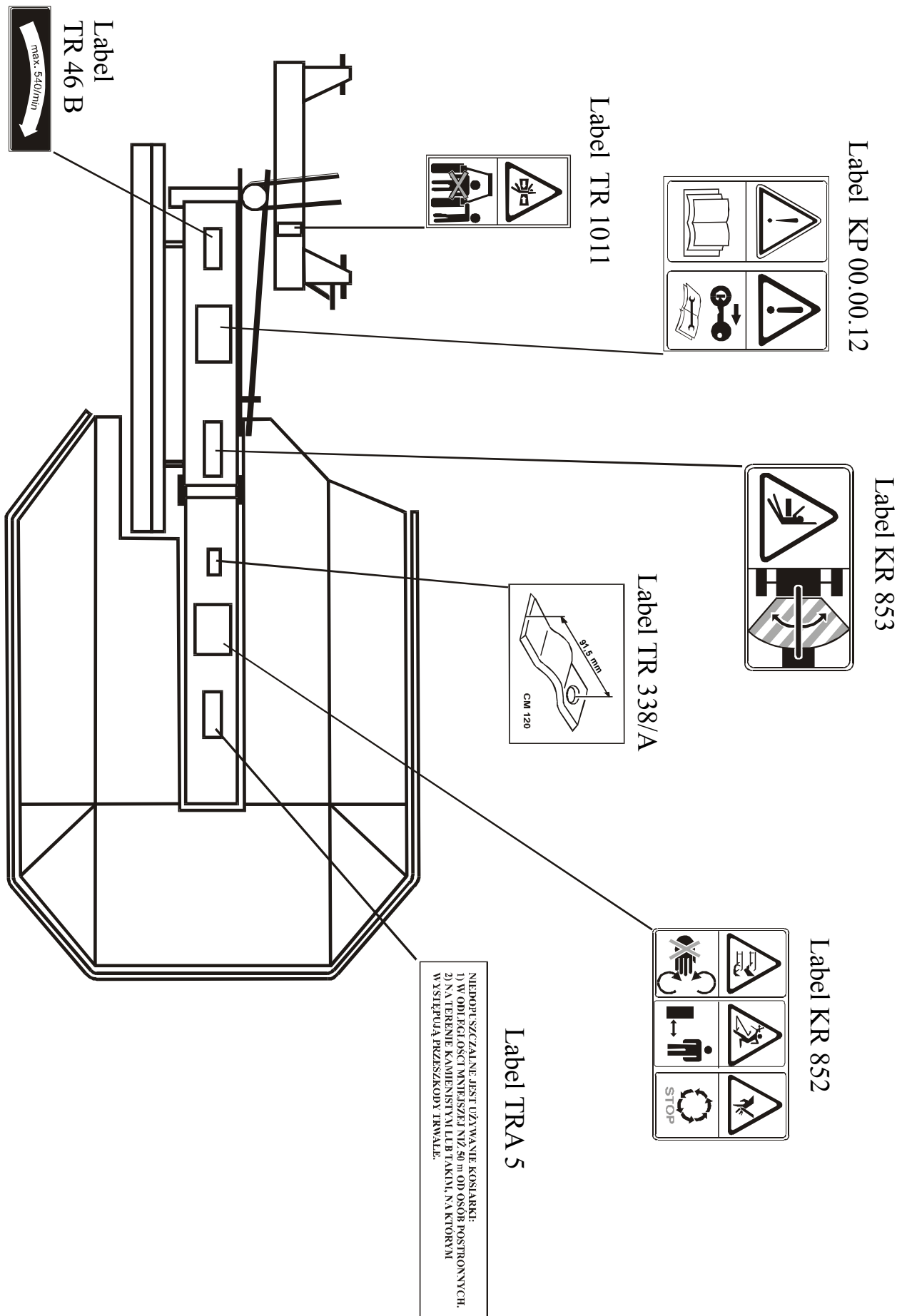


Fig.1. Placing the warning and information labels on the mower.

MOWER OPERATING

You can use and operate the mower after reading carefully the service manual.

GENERAL CHARACTERISTICS AND DESCRIPTION OF THE MOWER.

The Z 175-1 rotary mower cooperates with an over 23 kW tractor of II category. It is assigned for mowing grass and low-stem green forage on even and sloped up to 12° fields and meadows.

In case of problems with the power take-off shaft please contact with a producer of this particular PTO shaft.

The knife CMA 120 is not under warranty.

⚠ WARNING!

For proper work use appropriate type of PTO drive shaft:

Torque - 460 Nm, Lmin. - 560 mm, Lmax - 885 mm.

The Z 175-1 rotary mower consists of the following main assemblies (Fig.2.):

- Three-point frame (1)
- Indirect drive (2)
- Main drive (3)
- Complete housing (4)

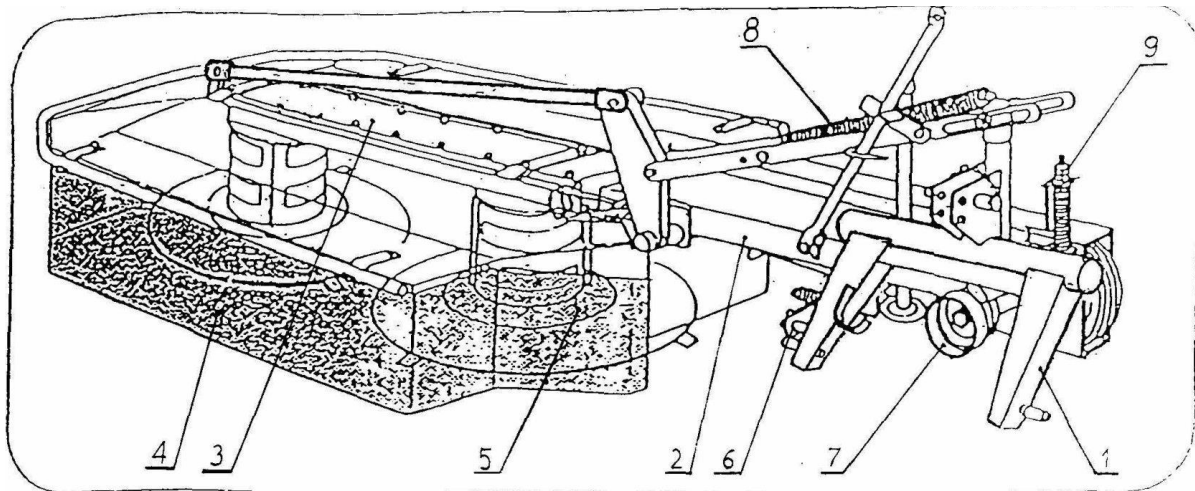


Fig. 2. Z 175-1 suspended rotary mower.

1- three-point frame, 2 - indirect drive, 3 - main drive, 4 - complete housing, 5 - drum, 6 - lock, 7 - PTO shaft housing, 8 - spring, 9 - tightening pin.

The mower is supplied partly disassembled. Assemble the machine in accordance with Fig. 12., 13. and 16. of the parts list.

The three-point frame 1. is attended for mounting the mower on tractor.

The power is transmitted to the power take-off shaft through the jointed shaft, belt transmission (indirect drive 2.) to the main drive 3. equipped with two drums 5. Three CMA120 cutting knives are rotationally mounted in each drum and they deviate when they hit an obstacle, e.g., a stone, which protects them from getting damaged. The knives have two cutting edges. When one edge wears out, the cutting tools can be installed in the other drum, which rotates in the opposite direction, thus they preserve dual life.

Each drum has replaceable transport strips preventing grass from getting wrapped in the drum and decreasing the friction and wearing of drums. The drums and cutting knives whirl in opposite direction forming the mowed green fodder into a swath roller.

The tightening pin 9. and indicator enables the tightening of the V-belt assembly.

The mower is equipped with a lock 6. which, in case of hitting an obstacle, reacts causing the machine to move backwards. If that happens you must stop immediately and withdraw a little, so that the lock is automatically locked up again.

In order to assure operational safety, the mower is outfitted with housing 4. and aprons fastened to them.

The end of power take-off shaft is protected with a special housing 7.

Spring 8, connecting the lift with the three-point frame decreases the pressure of drums to the base preventing the turf from being devastated and decreasing wearing-out of the drum plates.

When working on uneven ground (max. decrease of pressure to the base) and with lighter tractors on steep slopes a spring should be fixed in the down hole (best steerability of the tractor is then achieved).

PREPARATION FOR TRANSPORT AND TRANSPORTING

⚠ CAUTION!

When charging to the working or transport position do not get between the tractor and the cutting unit, setting the mower in working or transport position should be done closely to the ground! When charging the mower to transport position, first, with utmost severity, disconnect the jointed shaft from the tractor.

Before disconnecting the mower from the tractor, place the mower on a support 4. and rest the jointed shaft on the yoke 5. (Fig. 3.)

LINKING THE MOWER AND THE TRACTOR INTO A WORKING UNIT

- Set up the three-point frame in a transport position - the transport rod 1. should be placed on mandrel 2. of the three-point frame and secured with a pin 3. (Fig. 3.).
- Connect the three-point frame 1. of the mower with the three-point suspension system of the tractor in accordance with the manual of the tractor.
- Lift the support 4., set it on the high position and block with a pin.

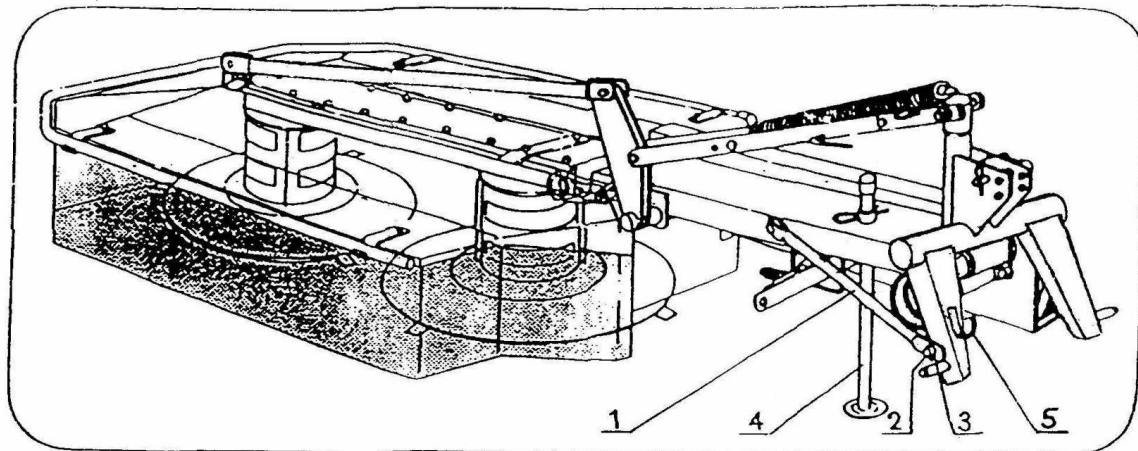


Fig. 3. Linking of the mower and the tractor into a working unit.
1 - transport rod, 2 - mandrel, 3 - pin, 4 - support, 5 - yoke.

ASSEMBLING A PTO DRIVE SHAFT

For driving the mower use the PTO drive shaft of the type given in the manual.

⚠ CAUTION!

Always use shields of the PTO shaft and tractor's drive shaft. Shields of PTO shaft must be protected against turning according to the PTO shaft service manual.

TRANSPORTING THE MOWER MOUNTED ON A TRACTOR.

⚠ CAUTION!

During the transport on public roads the mower should be equipped with cautionary lighting panels according to obligatory home traffic regulations.

For driving to the workplace, disconnect the jointed shaft of the mower from the PTO shaft of the tractor and rest it on the yoke 1. During transport the mower should be raised on a hydraulic lift with the cutting tool turned backwards for safety.

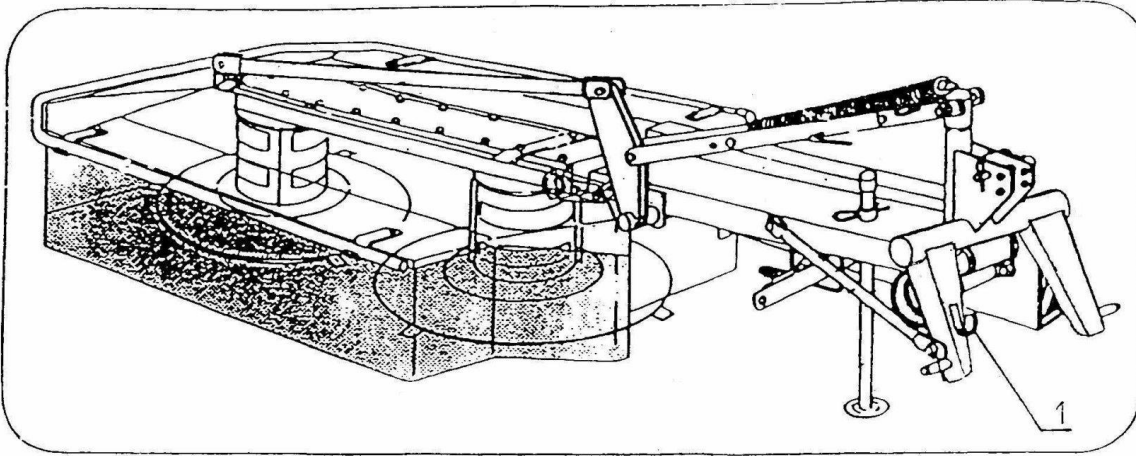


Fig. 4. Mower in transport position.
1 - yoke.

SETTING THE MOWER IN WORK POSITION

⚠ CAUTION!

Before releasing the transport rod from the mandrel, position the mower and tractor horizontally; if necessary, secure the mower against unintended departing.

- Lower the mower to the ground, release the transport rod 1., mount the PTO shaft on the yoke 9. and lock the transport rod in the upper position.
- Set up mower in the work position, fasten lock 4. on mandrel 2. and secure with pin 3.
- Connect the PTO drive shaft with the tractor.
- Set up the length of the upper pull rod in such a way that the drums in the work position are parallel to the base or slightly sloped forward. In order to avoid fodder lost due to dual cutting, never slope the machine backwards. Set up the bottom balance lever of the tractor in such a way that the mower is positioned as shown in Fig. 6.

NOTICE:

Depending on the length of the upper pull rod of the tractor, the front as well as rear holes of the three-point frame can be made use of.

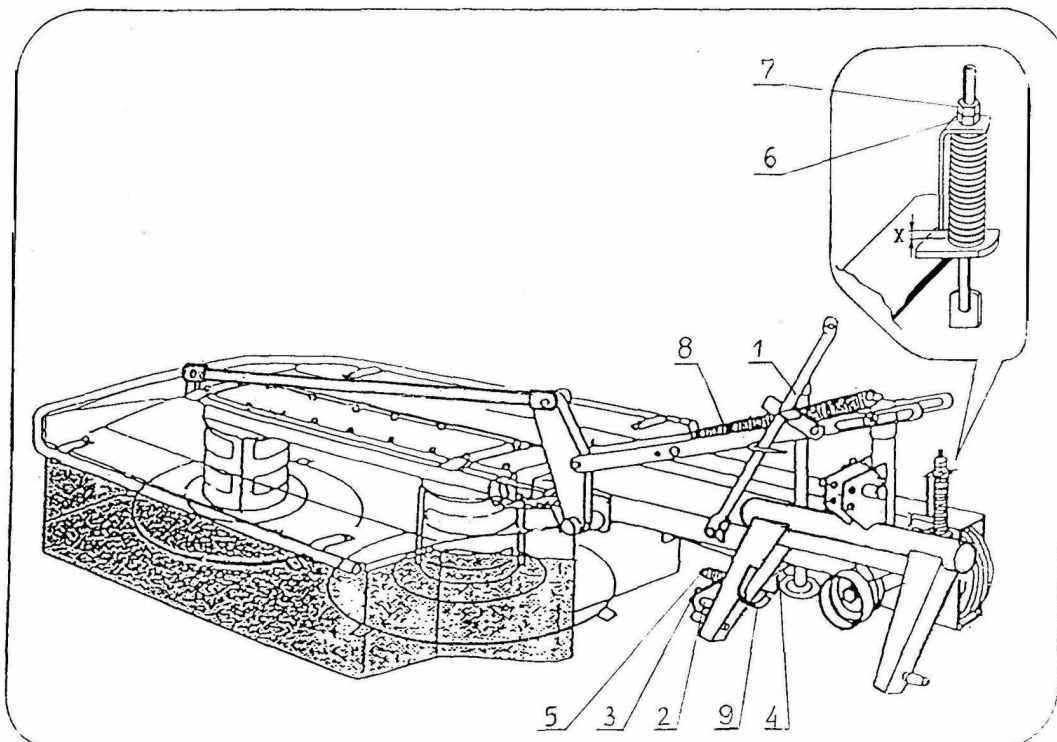


Fig. 5. Mower in work position.

- 1 - transport rod,
- 2 - mandrel,
- 3 - pin,
- 4 - lock,
- 5 - securing nut,
- 6 - nut,
- 7 - doubling nut,
- 8 - spring,
- 9 - yoke.

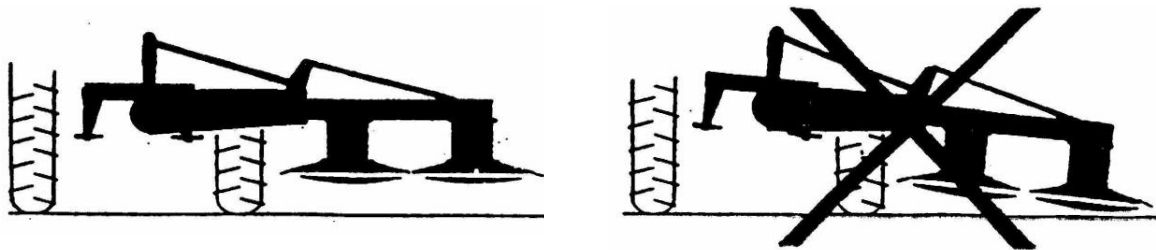


Fig. 6. Correct setting of the mower.

⚠ CAUTIONS!

- Start the mower only when set in working position.
- Before working with the machine read the service manual carefully.
- It is inadmissible to lift the mower on a hydraulic lift with power feed on and rotating drums.
- Never use the mower without shields and aprons. Operating the mower without shields or with damaged shields is inadmissible due to danger of thrown out hard objects.
- Before switching on the PTO shaft secure the jointed shaft shields against turning.
- It is inadmissible to use the mower at a distance smaller than 50 m from strangers and on stony ground or ground with constant obstacles. Handle with care especially near roads and roadways.
- In no instance should the speed of PTO shaft be increased above 540 rpm.
- In case of excessive unloading of the front axle of the tractor, use front wheel weights in order to load additionally.
- When running on steep slopes the mower should be on the higher side of the slope.
- Running the mower at high speeds of drums requires taking watchful attention to all kind of unbalance causing vibration which can result in serious damage of the mower. If increased vibration or a changed noise of operating mower is noticed, stop working immediately. Continue the work with the machine only after you find and remove the cause.
- Conduct operations on the mower only after placing the mower on the ground, turning off the PTO shaft, stopping the engine and immobilizing the tractor with a handbrake or placing the wedges under the tractor's wheels.
- Do not start the engine or try to operate the mower indoors due to harmful exhaust gases.

MOWING

- Slowly switch on the mower drive until achieving a full number of revolutions before the mowing starts, that is 540 rpm
- Match driving speed to the ground conditions and type of mowed material; avoid uneven and stony ground.
- When mowing on uneven ground or in cooperation with lighter tractors on steep slopes suspend the spring (pos. 8. Fig.5.) to down hole.

PREPARATION FOR THE STOP AND DISCONNECTING THE MOWER FROM THE TRACTOR.

To disconnect the mower from the tractor proceed as follows:

- Set the mower in the transport position.
- Set up the support 4 (Fig. 3.) in position for the stop.
- Disconnect the PTO shaft from the tractor and put it on the yoke 5.
- Disconnect the tractor's three-point suspension system from the mower.

TECHNICAL MAINTENANCE

CAUTION!

- Regularly control the condition of the knife-holder pins. When the pin wears out halfway absolutely replace the knife-holders (Fig.7.).
- When replacing the knives, notice should be taken to the correct mounting; they should rotate freely on the pins.
- Always fasten the knife-holders with original bolts M12x25-8.8 and nuts P M12-8-A, tighten them with a torque 85 Nm.

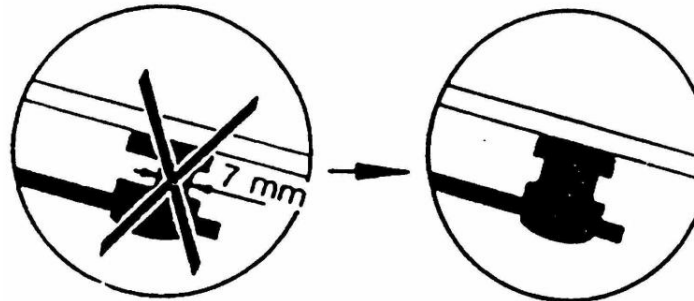


Fig. 7. Minimal thickness of the knife-holder pin.

- The condition of drums should be regularly checked. If the drum plates show cavities caused by cutting tools or if they are overworn, proceed as follows:
 - Unscrew three bolts 7. which are screwed in at the bottom of sliding plate (Fig. 15.)
 - Disassemble the sliding plate
 - Fasten the knife-holders 1. (Fig. 9.) in another place to let the cutting tool adhere to an unworn surface.
- Immediately replace damaged or worn drums.

ROUTINE TECHNICAL MAINTENANCE

- Regularly check the condition of knives. Each drum should be equipped with three new or uniformly worn CMA 120 knives. A suitable wrench is provided for replacing the knives (Fig. 8.). Correctly settled knife should easily spin on the knife-holder pin. Fig. 8. shows how to replace the cutting knives.
- Systematically check the condition of transport strips. If they are worn to such a degree that the drum can untimely wear out, replace strips with new ones.
- During the season check the functioning of the lock every day (pos. 4. Fig. 5.). If the mechanism functions while mowing, even though no obstacle has been struck, this means that the force of the spring is too small and it should be tightened better with a securing nut (pos. 5. Fig. 5.).
- During the first few hours of work carefully watch the behaviour of V-belts, after 0,5 - 4 hours of work under full load - tighten belts. The 'x' clearance (Fig. 5) should be approximately 1 mm. This clearance is adjusted with nuts 6. and 7. Proceeding like this the initial stretch is considered. After next 24 hours of work check the indicator again and tighten belts if necessary. Maximum 'x' clearance cannot exceed 3 mm. Next inspections can be done even after few hundred hours of work.
Notice: If the V-belts are stressed more than the indicator is showing, a damage to ball bearings can be caused in result of overloading.
- After a few working hours of a new or repaired machine check if all the bolts and nuts are properly tightened, especially the bolts tightening the lift. Repeat the checking in regular intervals.
- If the gasket between the shield and main frame (for example after repairing the machine) needs to be replaced, use only original gaskets. Stick them on exactly in place of the old one. Bolts that connect shield with main frame should be tighten with torque 48 Nm.

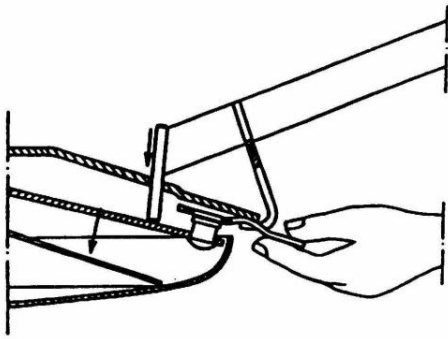


Fig. 8. Method of replacing the knives.

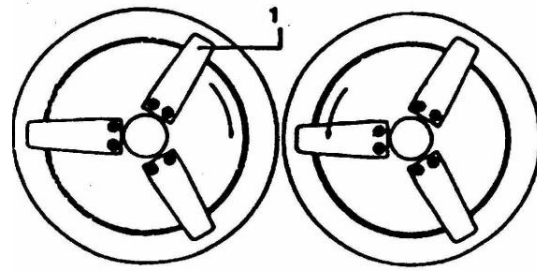


Fig. 9. Position of knife-holders.

1 – knife-holder.

LUBRICATION.

- During the operational use the mower should be lubricated every day (the lubricating points are shown in Fig.10.)
- The main frame filled with grease “Liten EPX 00” ORLEN OIL doesn’t require checking. If a repair has been conducted, the amount of lubricant should be refilled! The lubricant should level up to the bottom part of the horizontal shaft (5,5 kg).

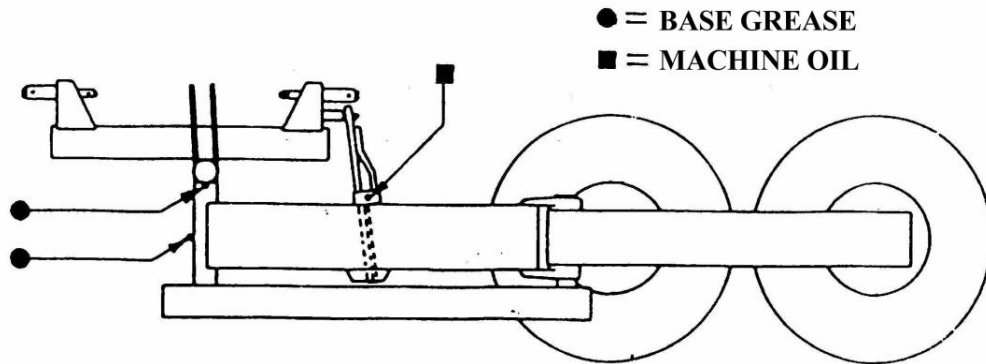


Fig. 10. Lubricating points.

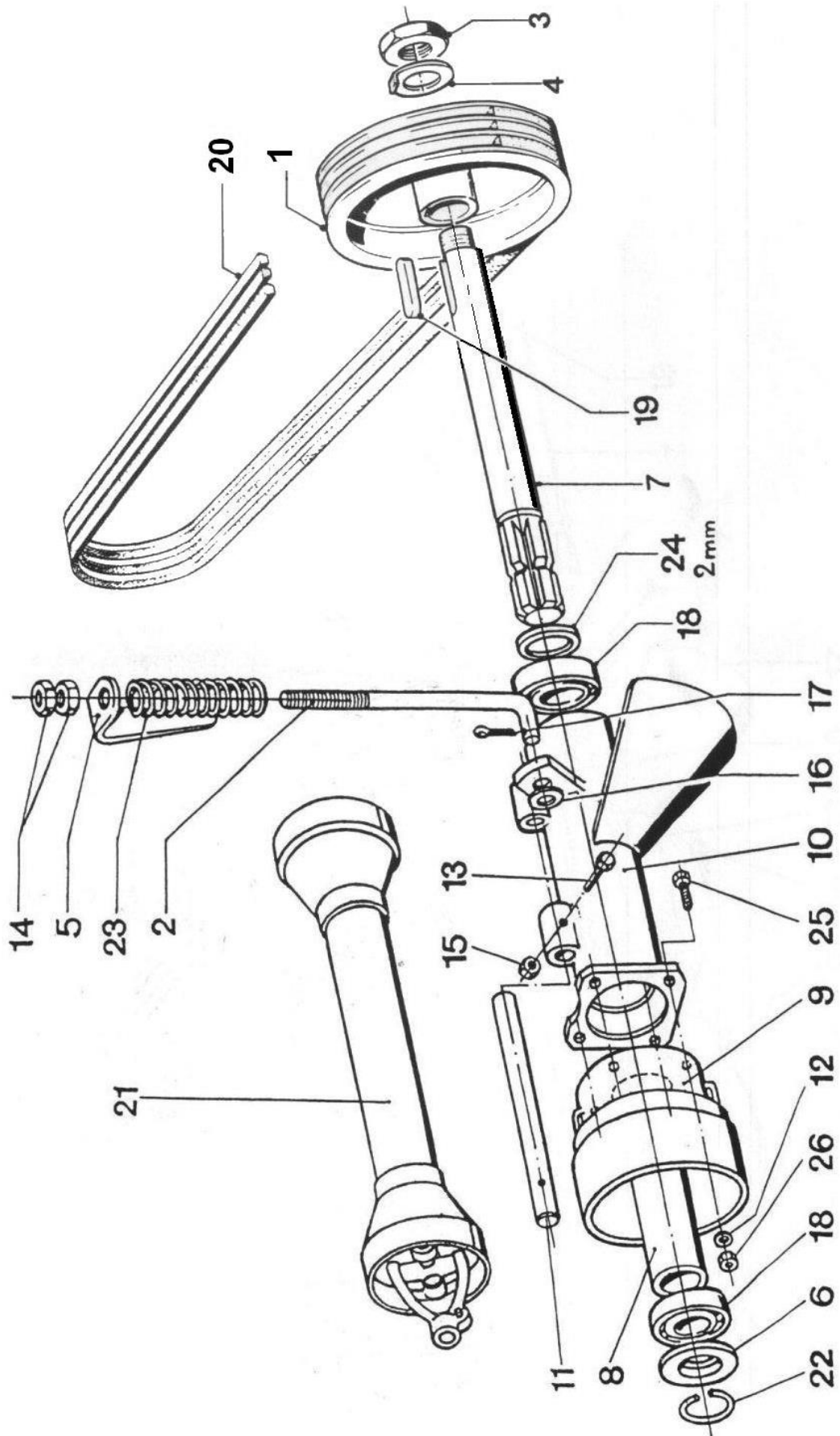
MAINTENANCE AND STORAGE

- Every time after finished work clean the machine of plant remains and dirt and check the connection of parts and assemblies.
- When the season is over, clean the mower and carry out a technical survey. If any defects are found, remove them. If paint has come off in some places, they should be cleaned of rust and repainted. Cover unpainted parts with a thin layer of grease e.g., STP, vaseline. It is recommended to store the mower indoors to secure it from moisture and precipitation.

TECHNICAL DATA	
Working width	1650mm
Transporting width	1450mm
Transporting length	2900mm
Height	1150mm
Cutting height	40mm
Number of drums	2
Number of knives	6
PTO Shaft	540 rpm
Weight	380kg
Power required	24kW
Tractor	II Cat.

EXPLODED VIEW & PARTS LIST

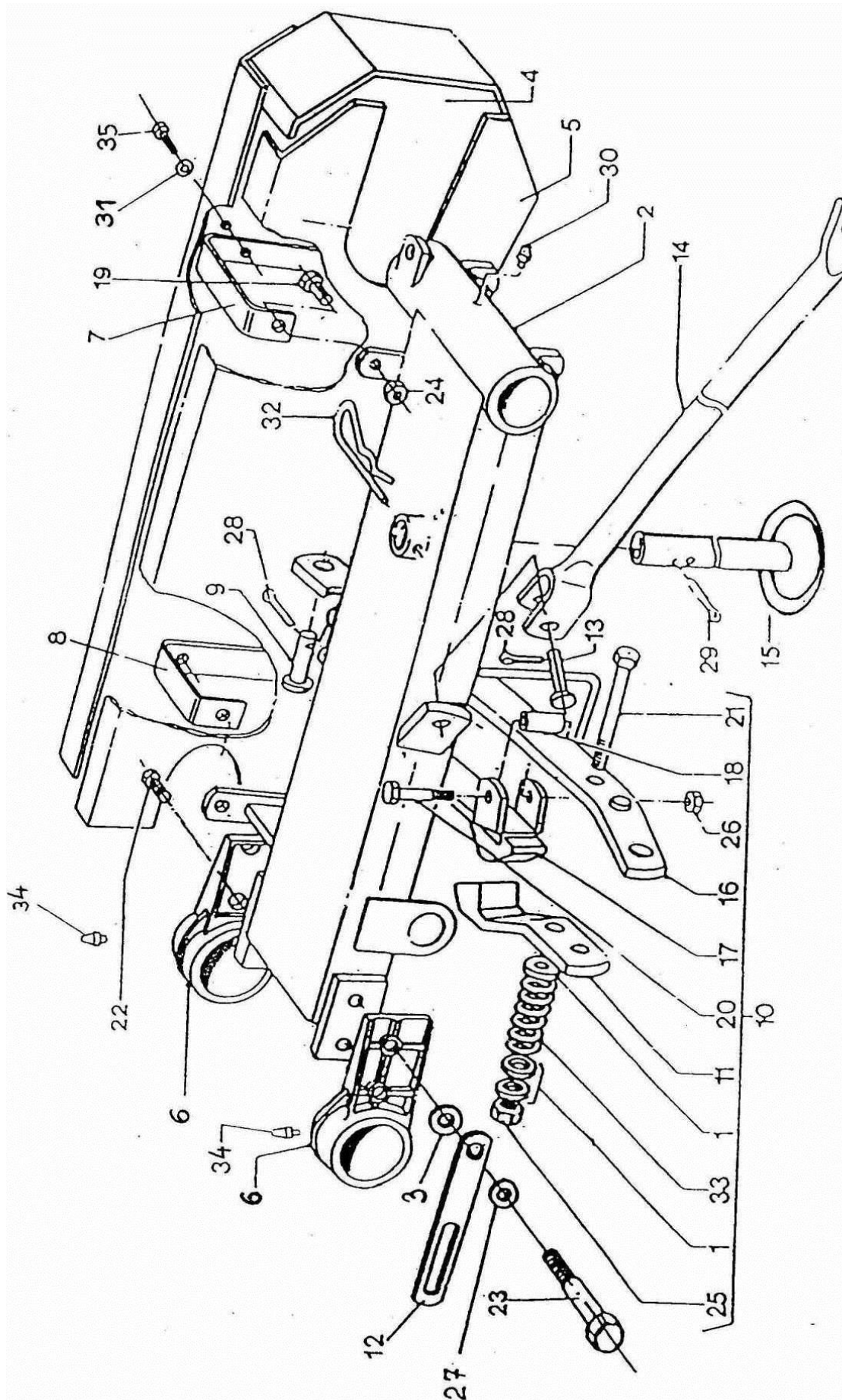
COMPLETE MAIN DRIVE



COMPLETE MAIN DRIVE

REF	PART NUM	DESCRIPTION	QTY
1	KR 680	Complete pulley	1
2	MTA 145V	Tightening pin	1
3	MT 174V	Nut M30x1,5 H=12	1
4	MT 301V	Lock-washer	1
5	MT 362	Indicator	1
6	MT 365V	Plate	1
7	MTA 366	Driving shaft	1
8	MTA 367	Distance sleeve	1
9	NP 0381	Housing (Bondioli & Pavesi)	1
10	MTA 0375	Bearing casing	1
11	MT 376V	Mandrel	1
12	NP 0291	Round washer 8,5-Fe/ZN9cC	4
13	ND 1106V	Bolt M6x55-8.8-B-Fe/Zn8cC	1
14	ND 2006V	Nut M16-8-B-Fe/Zn8cC	2
15	ND 2092V	Nut P M6-8-A-Fe/ZN8cC	1
16	ND 3109V	Washer ZM K15-Fe/Zn9cC	1
17	ND 4006V	Cotter pin S-Zn 4x32	1
18	ND 5027	Ball bearing 6207-2RS	2
19	ND 7003/A	Parallel key AB 8x7x45	1
20	NP 0454	Set of V-belts SPB 2800	1
21	45R-502-2-BA-J501	Jointed PTO drive shaft with one-way clutch (SIPMA)	1
22	PZ 72V	Spring ring	1
23	PZ 327	Spring	1
24	TH 79(20)	Washer 2,0x35,2x43	1
25	ND 1063V	Bolt M8x16-8.8-B-Fe/Zn8cC	4
26	ND 2091V	Nut P M8-8-A-Fe/Zn8cC	4

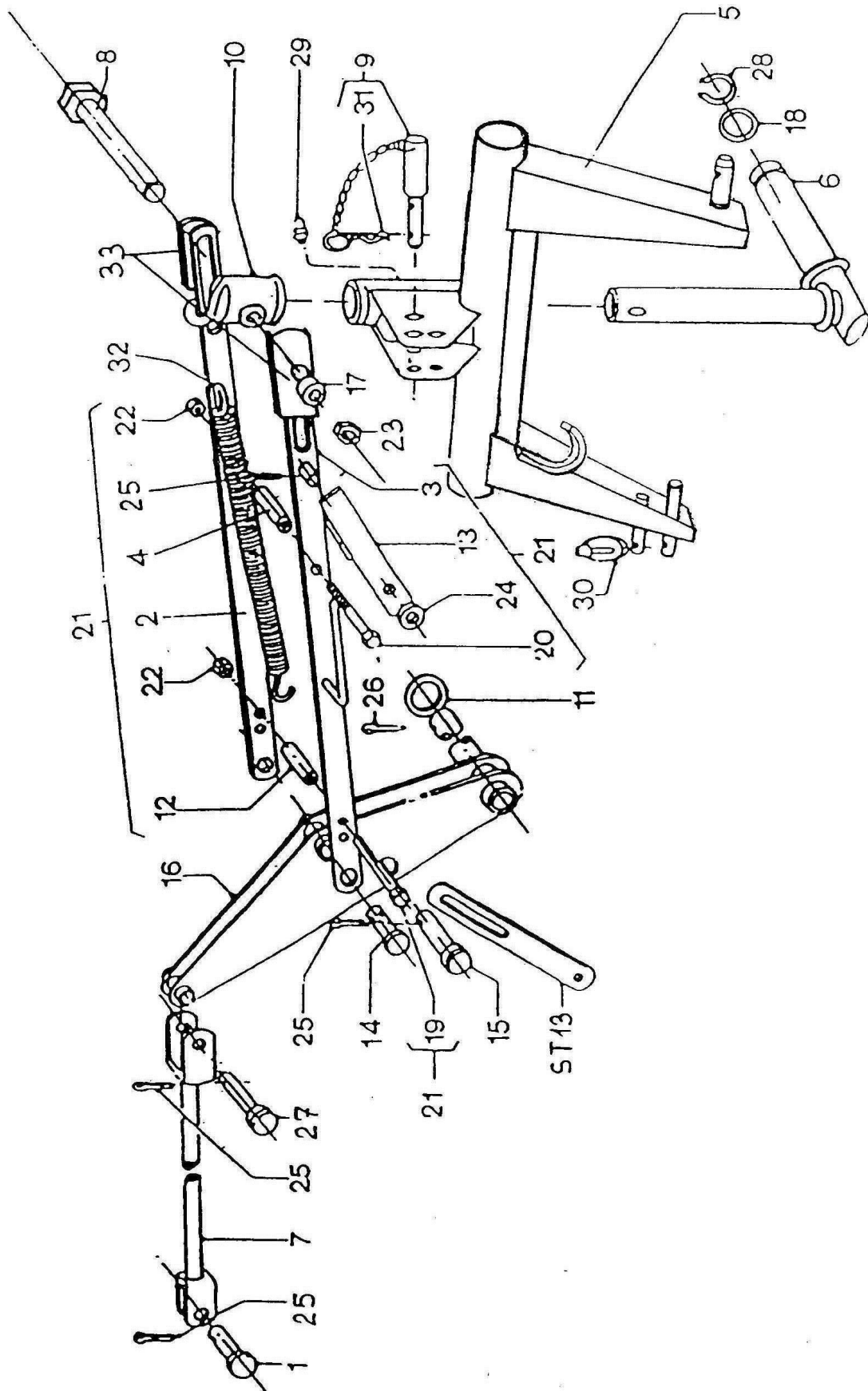
COMPLETE INTERMEDIATE FRAME



COMPLETE INTERMEDIATE FRAME

REF	PART NUM	DESCRIPTION	QTY
1	BP 431V	Washer	3
2	GT 03	Intermediate frame	1
3	GT 92V	Sleeve	1
4	KR 075	Complete shield	1
5	KR 76	Shield	1
6	LD 40	Hinge	2
7	KR 77	Holder	1
8	KR 79	Holder	1
9	MT 97V	Mandrel 16h11x65x58	1
10	MT 00122	Complete lock	1
11	MT 0123	Lock	1
12	ST 13	Flat bar	1
13	MT 166V	Mandrel	1
14	MT 0168	Transport rod	1
15	MTA 0175	Support	1
16	MT 0485	Complete support	1
17	MT 0486	Complete support.	1
18	MT 487V	Distance sleeve	1
19	ND 1009V	Bolt M10x30-8.8-B-Fe/Zn8cC	4
20	ND 1123V	Bolt M8x70-8.8-B-Fe/Zn8cC	1
21	ND 1303V	Bolt M12x200-8.8-B-Fe/Zn8cC	1
22	ND 1438V	Bolt M16x35-8.8-B-Fe/Zn8cC	3
23	ND 1439V	Bolt M16x60-10.9-B-Fe/Zn8cC	1
24	ND 2084V	Nut P M10-8-A-Fe/Zn8cC	4
25	ND 2085V	Nut P M12-8-A-Fe/Zn8cC	1
26	ND 2091V	Nut P M8-8-A-Fe/Zn8cC	1
27	ND 3001V	Washer K 17-Fe/Zn9cC	1
28	ND 4006V	Cotter pin S-Zn 4x32	2
29	ND 4066V	Cotter pin S-Zn 8x50	1
30	ND 9004V	Grease nipple M6	1
31	NP 0297V	Round washer 10,5-Fe/Zn8cC	4
32	PZ 50V	Stopper	1
33	PZ 327	Spring	1
34	ND 9813V	Grease nipple M8x1x180	4
35	NP 0236V	Bolt M10x20-8.8-B-Fe/Zn8cC	4

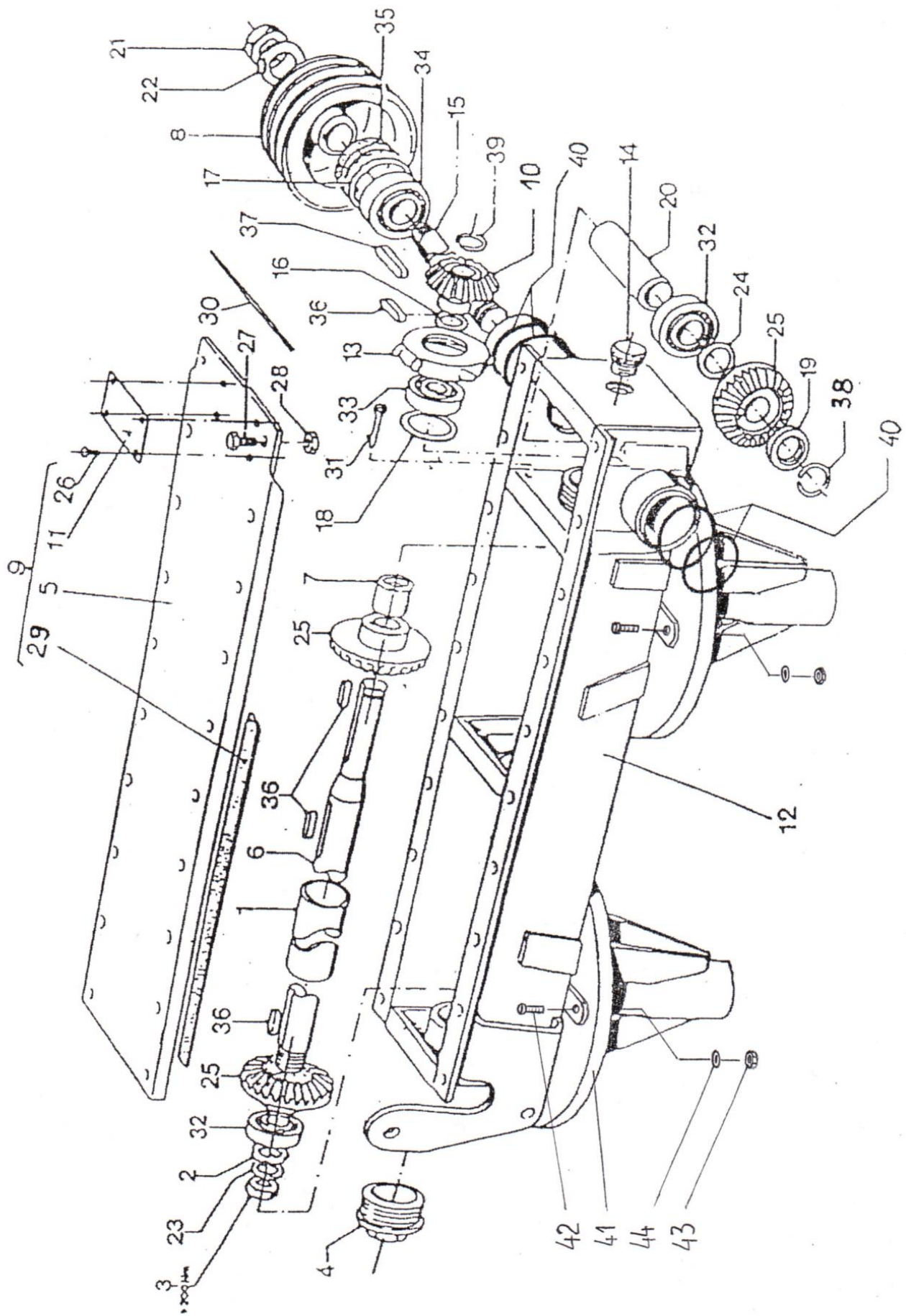
THREE-POINT FRAME ASSEMBLY



THREE-POINT FRAME ASSEMBLY

REF	PART NUM	DESCRIPTION	QTY
1	MT 90V	Pin	1
2	GT 30	Flat bar	1
3	KR 0450	Complete flat bar	1
4	GT 45	Distance sleeve	1
5	KR 0220	Three-point frame	1
6	GT 0212	Hinged assembly	1
7	KR 0420	Complete rod	1
8	GT 0245V	Complete pin	1
9	HK 0028V	Complete mandrel	1
10	MT 14	Cap	1
11	MT 84V	Washer	1
12	MT 85V	Distance sleeve	1
13	MT 089	Swinging clamp	1
14	ND 1244V	Bolt M16x90-8.8-B-Fe/Zn8cC	1
15	MT 100V	Pin	1
16	MT 0118	Complete lever	1
17	MT 138V	Sleeve	1
18	MT 141V	Washer 3x60,5x76	1
19	ND 1184V	Bolt M10x90-8.8-B-Fe/Zn8cC	1
20	ND 1003V	Bolt M10x80-8.8-B-Fe/Zn8cC	1
21	KR 00450	Lever assembly	1
22	ND 2084V	Nut P M10-8-A-Fe/Zn8cC	2
23	ND 2090V	Nut P M16-8-A-Fe/Zn8cC	1
24	ND 3001V	Washer K 17-Fe/Zn9cC	1
25	ND 4006V	Cotter pin S-Zn 4x32	4
26	ND 4009V	Cotter pin S-Zn 5x60	1
27	MT 97V	Mandrel 16h11x65x58	1
28	ND 8002V	Mounting ring Z60	1
29	ND 9004V	Grease nipple M6	1
30	ND 9031V	Pin A 11x45-Fe/Zn12cC	1
31	PZ 25V	Plug	1
32	PZ 51	Spring	1
33	GT 317	Plate	2

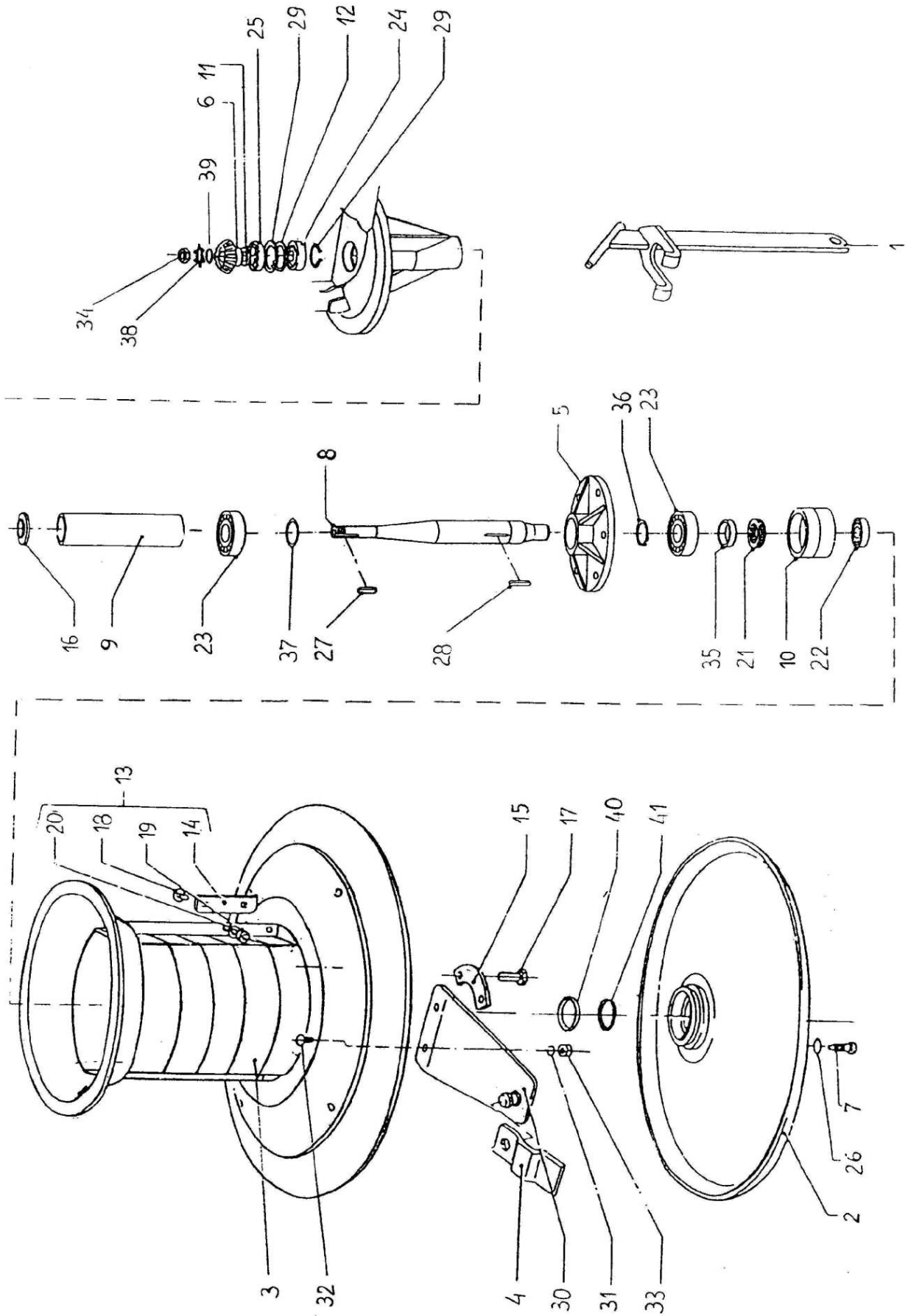
COMPLETE MAIN FRAME



COMPLETE MAIN FRAME

REF	PART NUM	DESCRIPTION	QTY
1	CH 17	Distance sleeve	1
2	KR 16	Washer	1
3	CH 180V	Nut M30x1,5	1
4	CM46	Plug	1
5	KR 20	Cover	1
6	GT 98	Shaft	1
7	GT 99	Distance sleeve	1
8	KR 670	Pulley	1
9	KR 0020	Complete cover	1
10	TC 94	Bevel gear	1
11	KR 33	Rating plate	1
12	KR 0100	Main frame	1
13	MT 5	Nut	1
14	MT 28	Plug	1
15	MT 45	Driving shaft	1
16	MT 0062	Set of distance washers	-
17	MT 63(10)	Washer 1,0x50x61,8	1
18	MT 0063	Set of distance washers	-
19	MT 165	Ring	1
20	MT 170	Distance sleeve	1
21	MT 174V	Nut M30x1,5 H=12	1
22	MT 301V	Lock-washer	1
23	MT 310(10)	Washer 1,0x30,2x38	1
24	MT 00310	Set of distance washers	-
25	MT 337	Bevel gear	3
26	ND 9305/A	Rivet 2x8 Al. B	4
27	NP. 0236V	Bolt M10x20-8.8-B-Fe/Zn8cC	15
28	ND 2084V	Nut P M10-8-A-Fe/Zn8cC	15
29	ND 9905	Sealing tape 20x4	1
30	NP 0155	Steel wire 1,2 gca-II-Na	1
31	ND 4007V	Cotter pin S-Zn 5x32	1
32	ND 5004	Ball bearing 6206	2
33	ND 5008	Ball bearing 6305	1
34	ND 5029	Two-row ball bearing 4206	1
35	ND 6015	Packing-ring A 45x62x7	1
36	ND 7002	Key A 8x7x35	4
37	ND 7004	Key A 8x7x55	1
38	PZ 58V	Spring ring	1
39	PZ 48V	Spring ring	1
40	ND 6304	Packing-ring A 68x4	4
41	GT 246	Shield	1
42	ND 1064V	Bolt M8x20-8.8-A-Fe/Zn8cC	4
43	ND 2091V	Nut P M8-8-A-Fe/Zn8cC	4
44	ND 3030V	Washer 2x8,4x25-Fe/Zn8cC	4

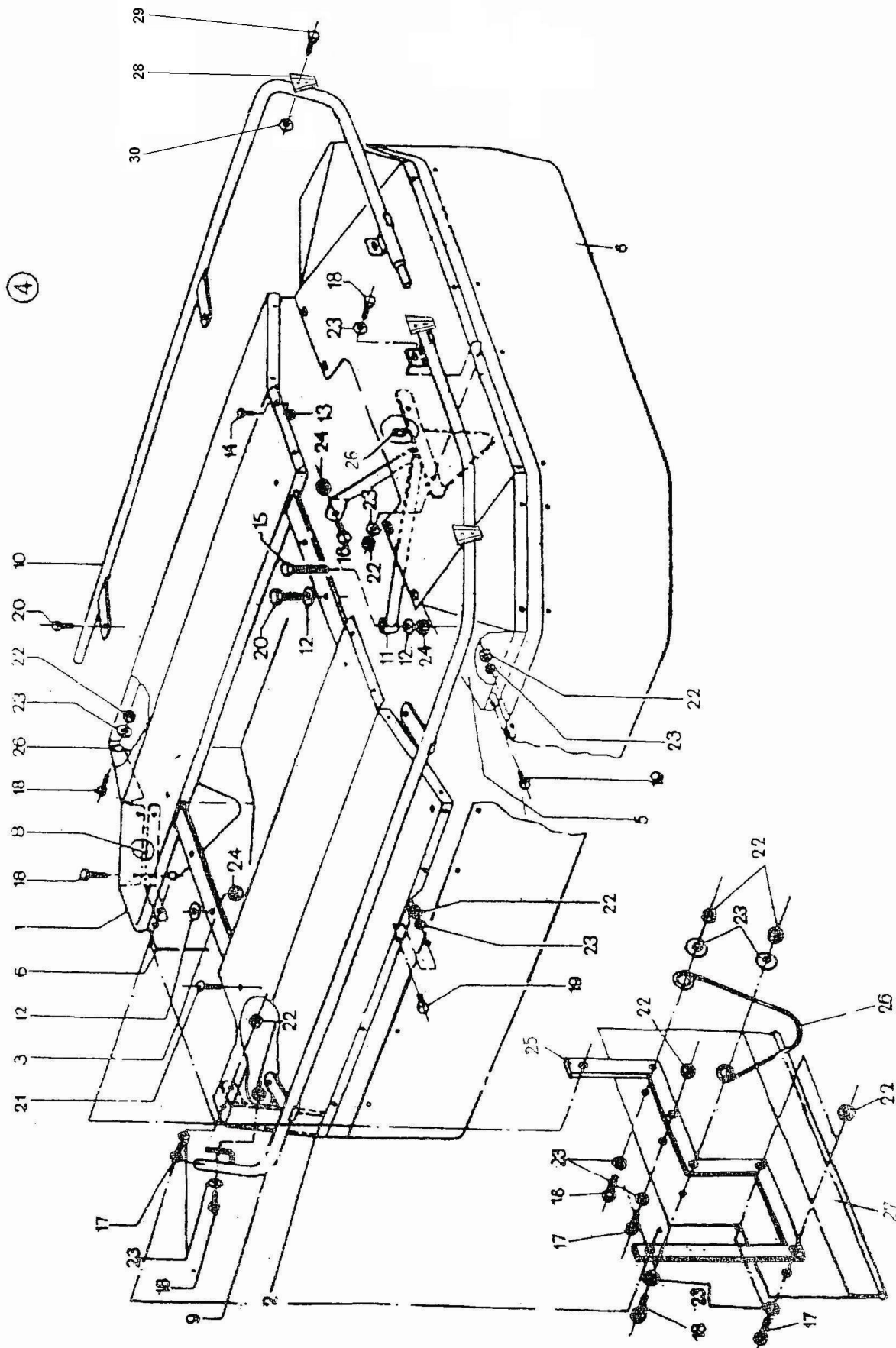
DRUMS ASSEMBLY



DRUMS ASSEMBLY

REF	PART NUM	DESCRIPTION	QTY
1	CM 059	Cutting knife spanner	1
2	KR 0700	Sliding plate	2
3	KR 060	Complete drum	2
4	CMA 120	Cutting knife	6+6
5	KR 063	Drum hub	2
6	GT 64	Bevel gear	2
7	GT 71V	Lock screw	6
8	KR 500	Vertical roller	2
9	GT 84	Distance sleeve	2
10	GT 331	Hub	2
11	MT 0062	Set of distance washers	-
12	MT 0063	Set of distance washers	-
13	MT 0071	Complete transport strip	4
14	MT 71V	Transport strip	4
15	KR 660	Washer	6
16	GT 83	Ring	2
17	ND 1072V	Bolt M12x25-8.8-B-Fe/Zn8cC	12
18	ND 1013V	Bolt M6x16-8.8-B-Fe/Zn8cC	8
19	ND 2003V	Nut M6-8-B-Fe/Zn8cC	8
20	ND 3101V	Washer 6-Fe/Zn9Cc	8
21	ND 5034	Ball bearing 51109 CX22	2
22	ND 5093	Ball bearing 6208-2RS CX22	2
23	ND 5035	Ball bearing 6210-2RS C3	4
24	ND 5009	Ball bearing 6305-2RS	2
25	ND 6002	Packing-ring A 40x62x10	2
26	ND 6025	Parking-ring 50,08x2,62	6
27	ND 7001	Parallel key A 8x7x30	2
28	ND 7004	Parallel key A 8x7x55	2
29	ND 8003	Spring mounting ring W 62	4
30	KR 065	Complete knife holder	6
31	ND 3105V	Washer 12-Fe/Zn9cC	12
32	NP 0302V	Bolt P M12x25-8.8-Fe/Zn8cC	12
33	ND 2085V	Nut P M12-8-A-Fe/Zn8cC	12
34	MT 179R	Nut M25x1,5	2
35	GT 103	Distance ring	2
36	ND 8011	Spring mounting ring Z 50x2	2
37	TH 78(20)	Distance washer	2
38	MT 34V	Toothed washer	2
39	MT 62(15)	Washer 1,5x25,2x33	2
40	AH 00132	Washer	2
41	ND 8089	Spring mounting ring Z 40x2,5	2

COMPLETE HOUSING



COMPLETE HOUSING

REF	PART NUM	DESCRIPTION	QTY
1	KR 9	Front shield	1
2	KR 90	Back shield	1
3	KR 92	Bracket	2
4	KR 009	Complete shield	-
5	KR 91	Side shield	1
6	KR 930	Apron	1
7	KR 0094	Complete side apron	1
8	KR 95	Corner	2
9	KR 0960-1	Complete back bow	1
10	KR 0970-1	Complete front bow	1
11	KR 099	Complete bracket	1
12	NP 0297V	Round washer 10,5-Fe/Zn9cC	5
13	NP 0308V	Nut M6-8-Fe/Zn8cC	8
14	NP 0307V	Bolt N-F M6x12-8.8-Fe/Zn8cC	8
15	NP 0306V	Bolt M10x50-8.8-B-Fe/Zn8cC	1
16	ND 1009V	Bolt M10x30-8.8-B-Fe/Zn8cC	1
17	NP 0305V	Bolt M6x16-8.8-B-Fe/Zn8cC	7
18	ND 1019V	Bolt M6x30-8.8-B-Fe/Zn8cC	7
19	ND 1171V	Bolt M6x12-8.8-B-Fe/Zn8cC	21
20	ND 1099V	Bolt M10x40-8.8-B-Fe/Zn8cC	8
21	NP 0304V	Bolt P M10x30-8.8-Fe/Zn8cC	4
22	ND 2092V	Nut P M6-8-A-Fe/Zn8cC	35
23	NP 0309V	Round washer 6,5-Fe/Zn9cC	40
24	ND 2084V	Nut P M10-8-A-Fe/Zn8cC	14
25	KR 094	Bracket	1
26	PZ 101V	Bow	3
27	KR 940	Side apron	1
28	NP 0318	Holder	3
29	ND 1064V	Bolt M8x20-8.8-B-Fe/Zn8cC	6
30	ND 2091V	Nut M8-8-B-Fe/Zn8cC	6



BRABEREQ.COM
WGSALES@BRABEREQ.COM

PHONE: 604-850-7770
FAX: 604-850-7774
TOLL FREE PHONE: 1-877-588-3311
TOLL FREE FAX: 1-800-665-7334