



Parts Manual

Mfg. No: 5901954
Citation XT, 27 Gross HP EFI B&S Zero-Turn Rider w/52" Mower Deck

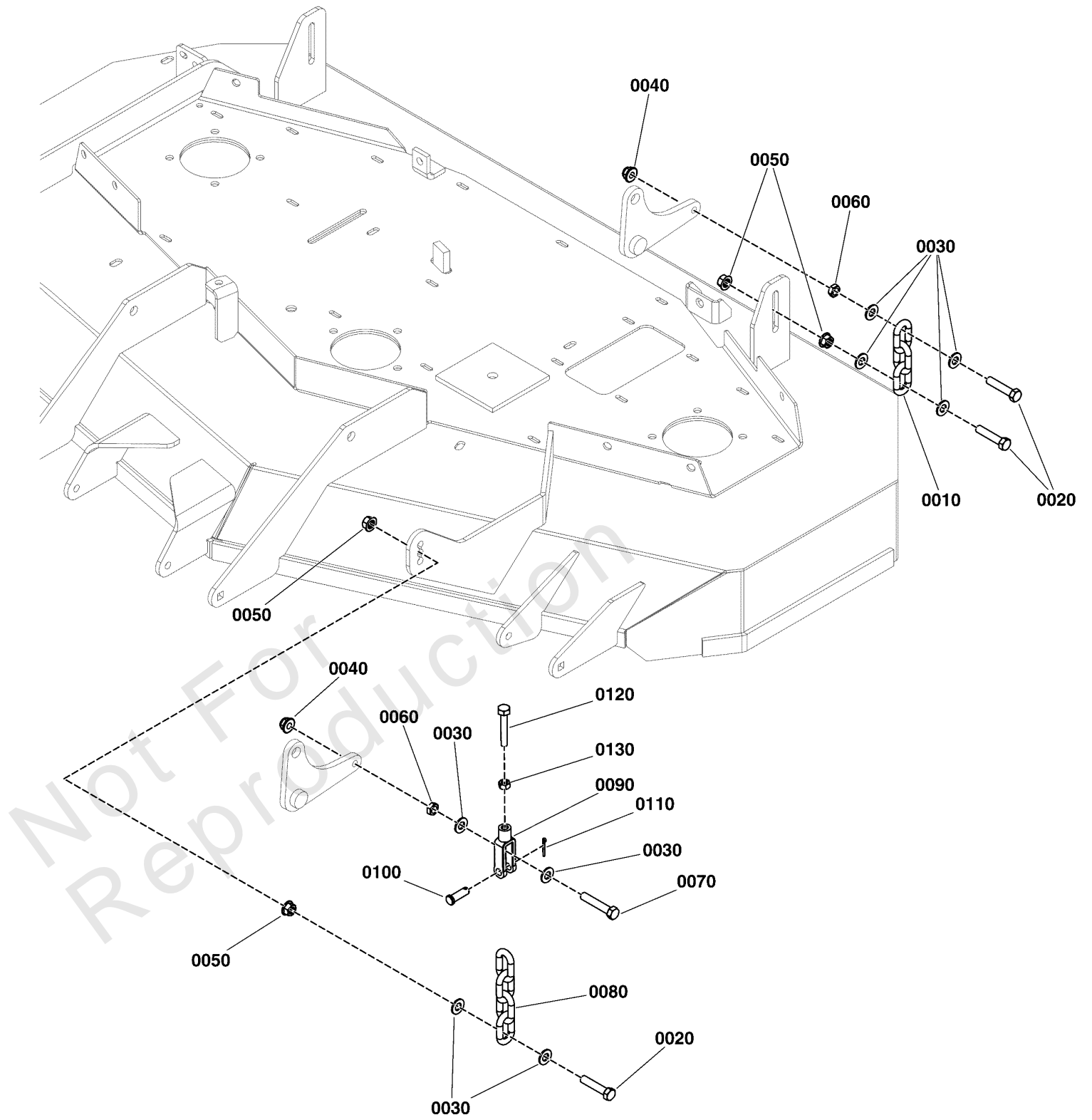


Model Components	Page
52" Mower Deck Group - Hanger Chains.....	4
52" Mower Deck Group - Housing, Covers, Spindles, and Blades.....	6
52" Mower Deck Group - Pulleys, Belts, & Idler Arm.....	8
52" Mower Deck Group - Rollers.....	12
Decal Group - Brand & Model.....	14
Decal Group - Safety & Operation.....	16
Deck Lift Group.....	18
Electrical Group.....	22
Electrical Schematic - Charging Circuit.....	24
Electrical Schematic - Cranking Circuit.....	26
Electrical Schematic - Ign. Ground Circuit/Op Pres.....	28
Electrical Schematic - PTO Clutch Circuit.....	30
Engine and PTO Group.....	32
Evap Group.....	34
Fuel Tank & Mount Group.....	36
Hydraulic Group.....	38
Instrument Control Panel - Fuel Injected Models with Electronic Throttle Control.....	40
Main Frame and Front Suspension Group.....	42
Motion Control Group - Control System.....	44
Motion Control Group - Handles & Dampeners S/N: 4001938725 and Below.....	46
Motion Control Group - Handles & Dampeners S/N: 4001938726 and Above.....	50
Parking Brake Group (5303171).....	52
Rear Bumper and ROPS Group.....	54
Rear Suspension Group.....	56
Seat Mount and Floor Group.....	58
Spindle Service Parts - 5061096SM.....	60
Transaxle Drive Group.....	62
Transaxle SERVICE Parts - Hydro-Gear ZT3400 (84002464_84002465).....	64
Wheel and Tire Group S/N: 4001673740 and below.....	68
Wheel and Tire Group S/N: 4001673741 and above.....	70
Torque Specification Chart.....	72

52" Mower Deck Group - Hanger Chains

Note: Unless noted otherwise, use the standard torque specifications

Mfg. No: 5901954



52" Mower Deck Group - Hanger Chains

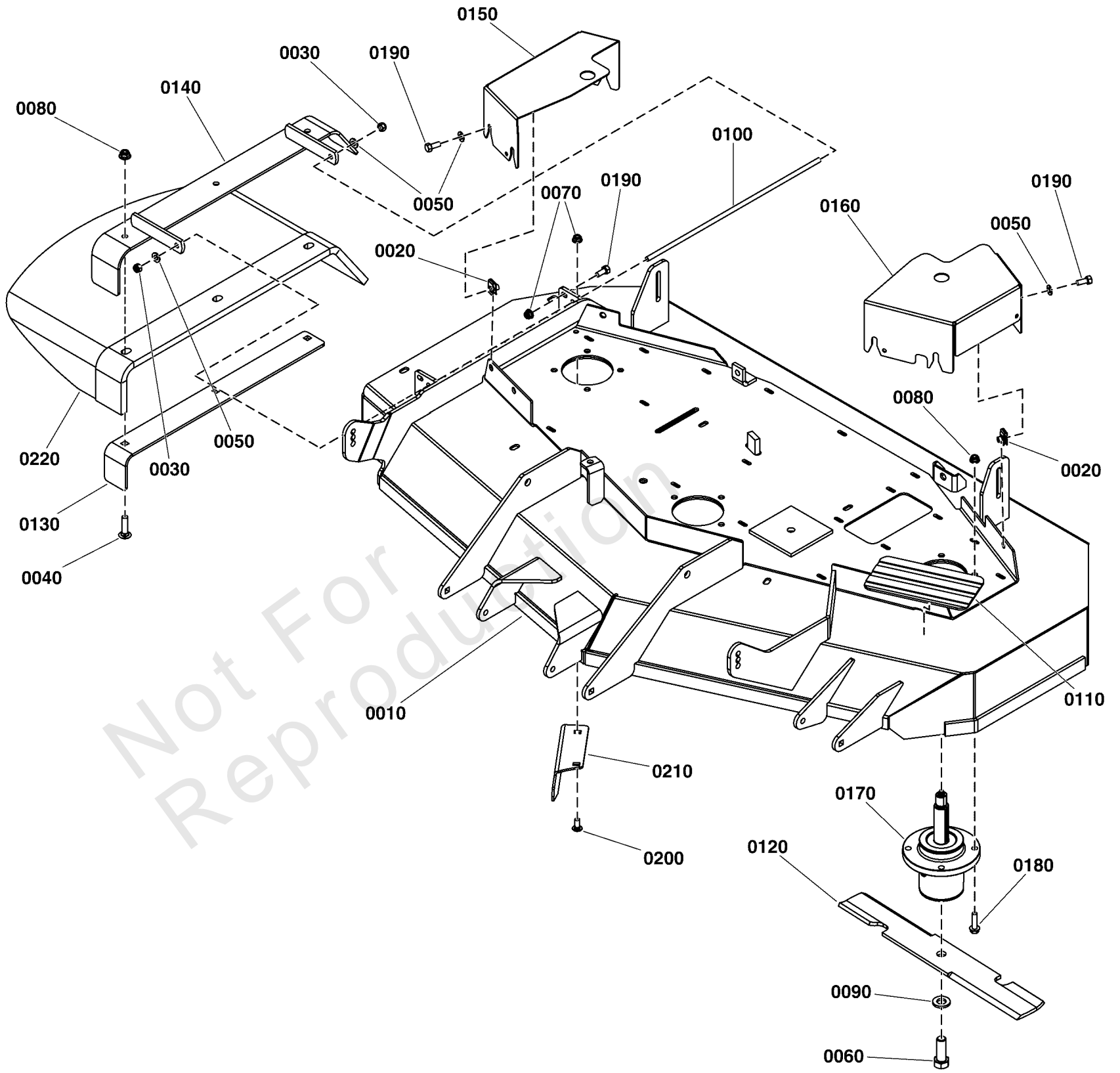
REF NO	PART NO	QTY	DESCRIPTION
0010	5050878X3SM	2	CHAIN, 5/16" GD30, 3 LINKS
0020	5025013X14SM	6	CAPSCREW, Hex Head, 3/8-16 X 1-3/4
0030	703590	16	WASHER, .406
0040	5025394SM	4	NUT, Hex Flange, Nylock, 3/8-16
0050	5025128SM	8	NUT, Hex, Serrated Flange, 3/8-16 (S/N 616 & up)
0060	5025084SM	4	NUT, Hex, Jam, 3/8-16
0070	703589	2	CAPSCREW, Hex Head, 3/8-16 X 2, GR5
0080	5050878X4YP	2	CHAIN, 5/16" GD30, 4 LINKS
0090	5100375YP	2	CLEVIS, 5/16-18, 3/8 PIN HOLE, CLR ZINC
0100	5025214X9SM	2	PIN, CLEVIS, 3/8 X 1-1/8, PLATED
0110	703312	2	PIN, Cotter, 3/32 X 3/4
0120	5025055X16SM	2	BOLT, 5/16-18 X 2" GD 5 TFL
0130	5025032SM	2	NUT, Hex, 5/16-18

Not For Reproduction

52" Mower Deck Group - Housing, Covers, Spindles, and Blades

Note: Unless noted otherwise, use the standard torque specifications

Mfg. No: 5901954



Not For
Reproduction

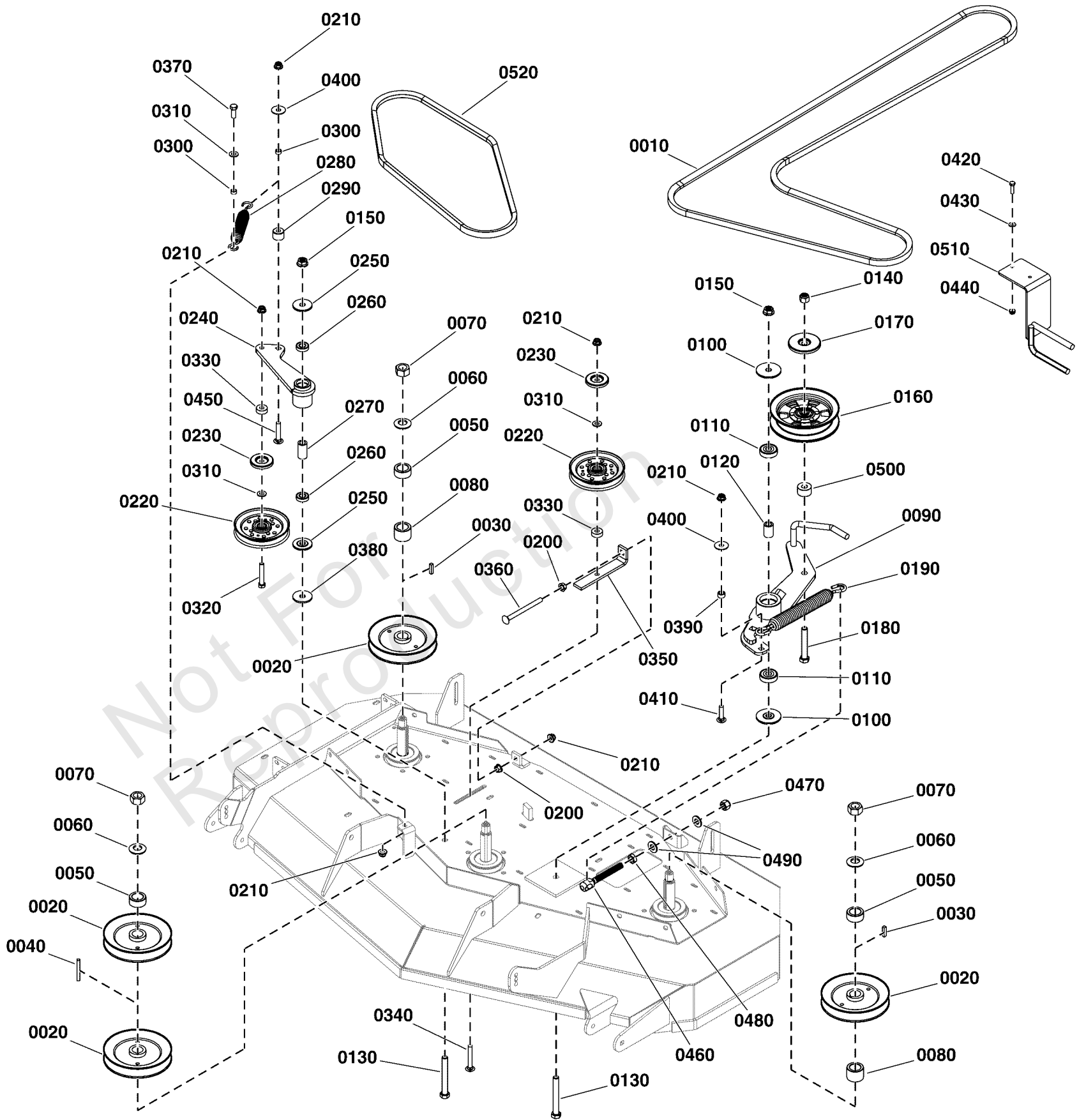
52" Mower Deck Group - Housing, Covers, Spindles, and Blades

REF NO	PART NO	QTY	DESCRIPTION
0010	84007219	1	KIT, Mower Deck
0020	5022308SM	6	CLIP, BODY , 5/16-18 FOR 7 GA.
0030	5025045SM	2	NUT, Hex Lock, Nylon, 5/16-24
0040	5025146X12YP	3	BOLT, Carriage, 3/8-16 X 1 1/2, GR5
0050	703350	8	WASHER, 5/16, Flat SAE, Zinc/Clear
0060	770136	3	BOLT, 5/8-11 X 1 3/4, GR 8
0070	703115	3	NUT, Flange Nylock, 5/16-18
0080	5025394SM	15	NUT, Hex Flange, Nylock, 3/8-16
0090	5025477SM	3	WASHER, Blade Bolt, 9/16"
0100	5061300SM	1	MOUNT, Chute
0110	5101004SM	1	SAFETY WALK, 4.00 X 7.50
0120	5101756YP	3	BLADE, 18 X .25 X 2.5, 1 X 3.5
0130	5413398AYP	1	SUPPORT, DISCHARGE CHUTE - BLK
0140	5413400AYP	1	WELD, MOUNT, DISCHARGE CHUTE - BLK
0150	84003125	1	GUARD, Belt -(Right)
0160	84003126	1	GUARD, Belt -(Left)
0170	5061096SM	3	ASSM, SPINDLE, LONG SHAFT
0180	770137	12	BOLT, Flange, 3/8-16 X 1 1/4
0190	5025011X6SM	7	CAPSCREW, Hex Head, 5/16-18 x 3/4
0200	5025145X6SM	2	BOLT, 5/16-18 X 3/4, CARRIAGE, GD5, CZ
0210	84003127	1	DEFLECTOR
0220	5413500YP	1	CHUTE, RUBBER DISCHARGE (5104442)

52" Mower Deck Group - Pulleys, Belts, & Idler Arm

Note: Unless noted otherwise, use the standard torque specifications

Mfg. No: 5901954



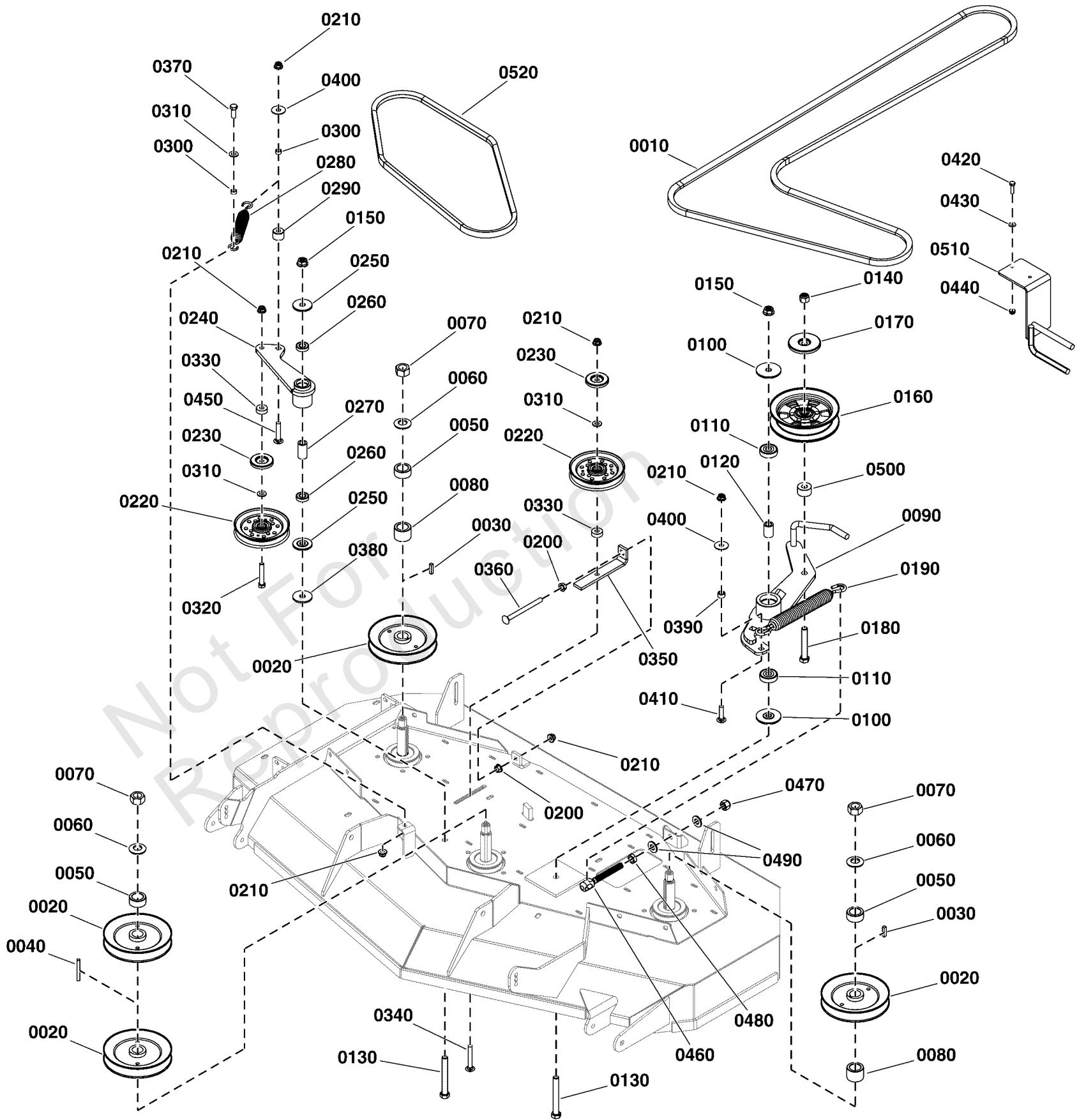
52" Mower Deck Group - Pulleys, Belts, & Idler Arm

REF NO	PART NO	QTY	DESCRIPTION
0010	84001674	1	BELT -(5V/SPB, 124.50 EL)
0020	84003124	4	PULLEY, SPINDLE -(5.980" OD X .985" ID)
0030	5050407X8SM	2	KEY, 1/4 Square x 1
0040	5050407X18SM	1	KEY, 1/4" SQ. X 2 1/4
0050	5105047YP	3	SPACER, 1.00 X 1.50 X .70, BZ
0060	770223	3	WASHER, Belleville, 3/4
0070	5025405SM	3	NUT, 3/4-16 Hex (Included with Complete Spindle Assembly)
0080	5105048YP	2	SPACER, 1.00 X 1.50 X 1.14, BZ
0090	5415288AYP	1	WELD, IDLER ARM, DECK DRIVE - BLK
0100	5104379YP	2	SPACER, IDLER ARM, 1/2 X 2.25
0110	5104383YP	2	BEARING, 6203-1/2", SEALED
0120	5104456YP	1	SPACER, .51 X .75 X 1.22, PM, CZ
0130	5025017X32YP	2	BOLT, 1/2-13 X 4 GD5 YZ
0140	7091325YP	1	NUT, 1/2-13 HEX NYLON LOCK
0150	5025396SM	2	NUT, Hex Flange, 1/2-13
0160	5104716YP	1	PULLEY, IDLER, BACKSIDE, NOSEAM 6.25ODX.5ID
0170	5105041YP	1	SHIELD, PULLEY, 1/2"ID X 2-7/8"OD, CZ
0180	5025017X26SM	1	BOLT, 1/2-13 X 3-1/4, HEX HD, GD5, YZ
0190	5105068YP	1	SPRING, EXT1.22"ODX10.5"FLX.192"WIRE BLK
0200	5025128SM	2	NUT, Hex, Serrated Flange, 3/8-16 (S/N 616 & up)
0210	5025394SM	6	NUT, Hex Flange, Nylock, 3/8-16
0220	84004874	2	PULLEY, V-IDLER, 5"OD X 3/8", CZ, TE
0230	5105033YP	2	SHIELD, PULLEY, 3/8"ID X 2"OD, CZ
0240	5416161AYP	1	WELD, IDLER ARM, 2 BELT DRIVE - BLK
0250	5103262YP	2	SPACER, Idler Arm
0260	7078243YP	2	BEARING, Ball
0270	5103812YP	1	SPACER
0280	5022847SM	1	SPRING, Extension (48" Model - SN: 426 & up)(52: Model - SN: 351 & up)
0290	5043815YP	1	SPACER, .39 X 1.00 X .75, CZ
0300	5041930SM	2	SPACER, .38 X .50 X .27, CZ
0310	703590	3	WASHER, .406
0320	5025013X18SM	1	CAPSCREW, Hex Head, 3/8-16 X 1-3/4
0330	5105429YP	2	SPACER, .39 X 1.00 X .38
0340	84005878	1	BOLT, Carriage (3/8-16 X 2-1/2)
0350	5415374AYP	1	PLATE, IDLER PULLER - BLK
0360	5025146X36YP	1	BOLT, 3/8-16 X 4-1/2, CARRIAGE, GD5, CZ
0370	5025013X8SM	1	CAPSCREW, Hex Head, 3/8-16 x 1
0380	5103282YP	1	WASHER, .52 X 1.75 X .14, CZ
0390	5105297YP	1	SPACER, .39 X .63 X .375, DOM
0400	5025165SM	2	WASHER, Fender, 3/8
0410	5025146X12YP	1	BOLT, Carriage, 3/8-16 X 1 1/2, GR5
0420	5025010X8SM	2	BOLT, 1/4-20 X 1", GD
0430	703332	2	WASHER, Flat, 1/4
0440	703463	2	NUT, Flange Nylock , 1/4-20
0450	5025146X16SM	1	BOLT, 3/8-16 X 2, CARRIAGE, GD5, CZ
0460	5105844YP	1	SPRING PULLER, 1/2-20, 6.00
0470	5025098SM	1	NUT, Hex, Nylon Lock, 1/2-20
0480	5025089SM	1	NUT, Hex Jam, 1/2-20
0490	5025158SM	2	WASHER, 1/2
0500	5045178SM	1	SPACER, .52 X 1.00 X .75, CZ

52" Mower Deck Group - Pulleys, Belts, & Idler Arm

Note: Unless noted otherwise, use the standard torque specifications

Mfg. No: 5901954



52" Mower Deck Group - Pulleys, Belts, & Idler Arm

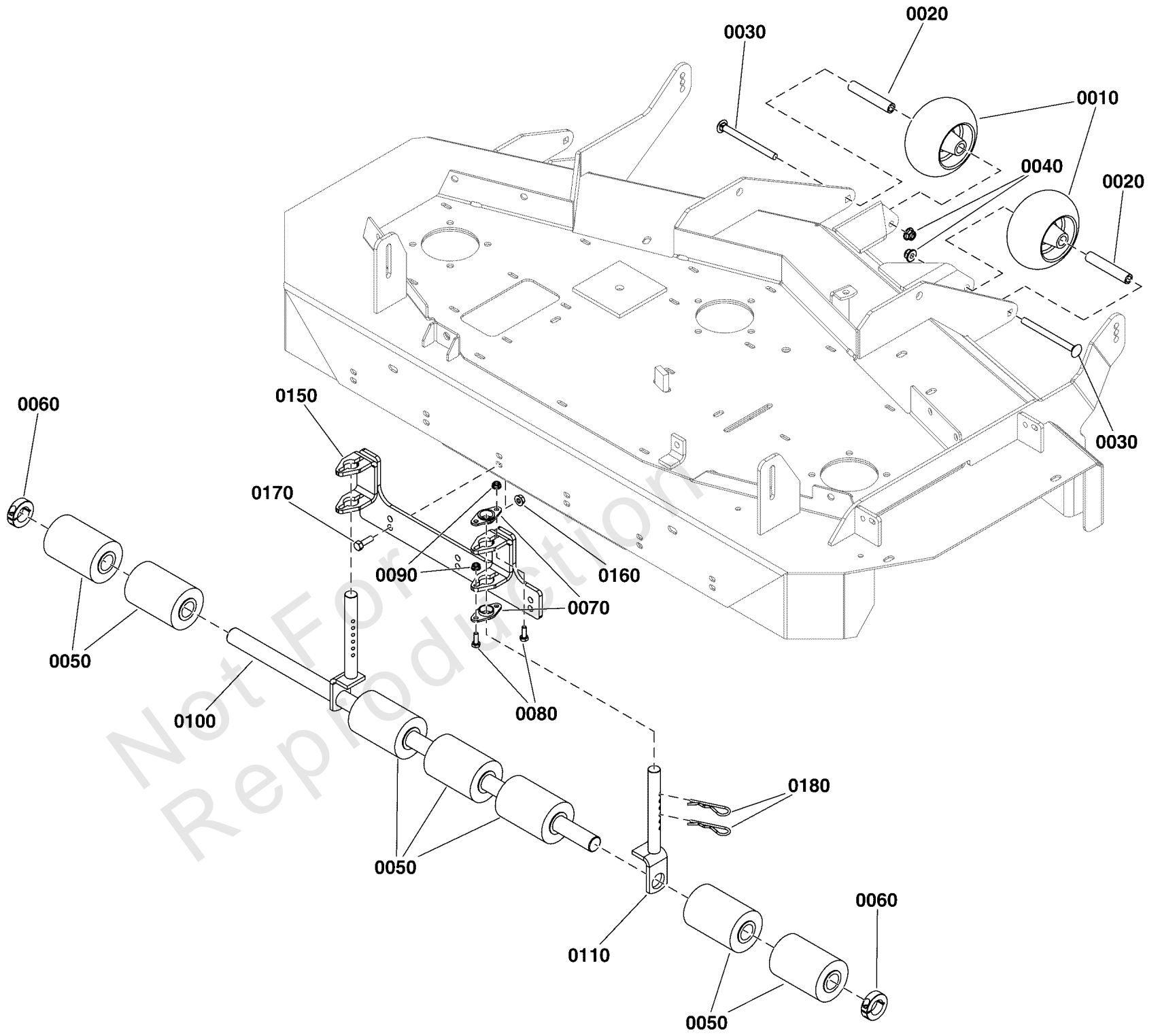
REF NO	PART NO	QTY	DESCRIPTION
0510	5415938AYP	1	WELD, CLUTCH BELT GUIDE - BLK
0520	84001675	1	BELT

Not For Reproduction

52" Mower Deck Group - Rollers

Note: Unless noted otherwise, use the standard torque specifications

Mfg. No: 5901954



52" Mower Deck Group - Rollers

REF NO	PART NO	QTY	DESCRIPTION
0010	5105521YP	3	WHEEL, ANTI SCALP, 5"
0020	5105554YP	3	SPACER, .38 X .63 X 3.38, CZ
0030	5025146X36YP	3	BOLT, 3/8-16 X 4-1/2, CARRIAGE, GD5, CZ
0040	5025394SM	3	NUT, Hex Flange, Nylock, 3/8-16
0050	1678042YP	7	ROLLER, W/Bushings
0060	5020602SM	2	COLLAR, Split, 1"
0070	5023155SM	4	BUSHING, FLANGE, GFL - 20
0080	5025010X6SM	8	CAPSCREW, Hex Head, 1/4-20 x 3/4 (stiffener to top of cover)
0090	703463	8	NUT, Flange Nylock , 1/4-20
0100	5410501AYP	1	WELD, ROLLER SHAFT, 52 & 61, IS700 - BLK
0110	5410505AYP	1	WELD, ROLLER SUPPORT, 52-61, IS700 - BLK
0150	5410723AYP	1	WELD, ROLLER SUPPORT, 52" - BLACK
0160	5025127SM	6	NUT, Hex Serrated Flange, 5/16-18,
0170	703585	6	CAPSCREW, Hex Head, 5/16-18 x 1
0180	1960033SM	4	CLIP, Hair Pin

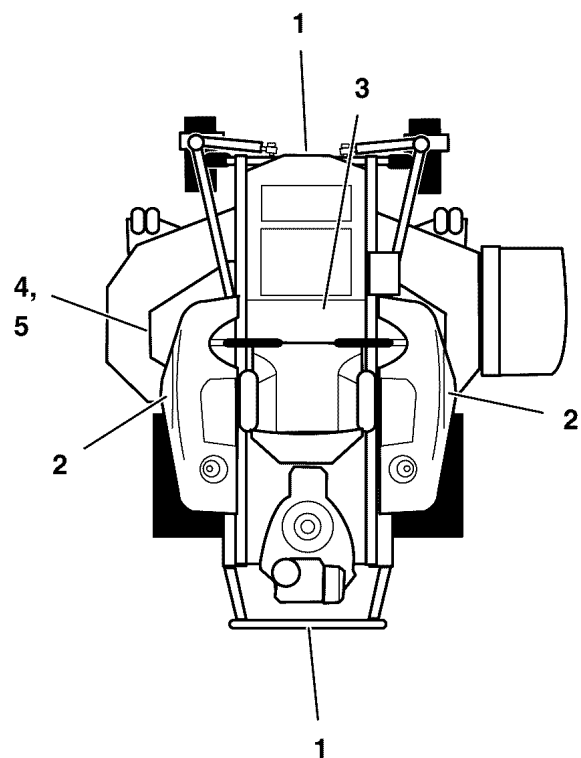
Not For Reproduction

Decal Group - Brand & Model

Note: Unless noted otherwise, use the standard torque specifications

Mfg. No: 5901954

5303242
5303236



1 — ***Simplicity***[®]

2 — ***Simplicity***

3 — **CITATION XT**

4 — $\frac{61''}{155\text{cm}}$

5 — $\frac{52''}{132\text{cm}}$

Not For
Reproduction

Decal Group - Brand & Model

REF NO	PART NO	QTY	DESCRIPTION
1	1757673YP	2	DECAL, Model, SMI Logo 10.47" Long
2	1757674YP	2	DECAL, Simplicity
3	771108	1	DECAL, SMI, Model Citation XT
4	1755723YP	1	DECAL, MOWER WIDTH 61IN/155CM
5	1755721YP	1	DECAL, 52"/132cm

Not For Reproduction

Decal Group - Safety & Operation

Note: Unless noted otherwise, use the standard torque specifications

Mfg. No: 5901954

WARNING

Avoid serious injury or death

- Read operator's manual before using this product.
- Do NOT operate this machine unless you are trained.
- Know the location and function of all controls.
- Keep safety devices (guards, shields, switches, etc.) in place and working.
- Remove objects that could be thrown by the blade.
- Be sure blades and engine are stopped before placing hands or feet near blades.
- When leaving machine, shut off, remove key and set parking brake.

Rotating blades cut off arms and legs.

- Stop the mower when children or others are near.
- Do not carry riders (especially children) even with the blades off. They may fall off or return for another ride when you are not expecting it.
- Look down, behind and to the side before changing directions.

Operating on slopes can be hazardous and cause loss of control and roll-overs.

- Do not operate on slope over 15 degrees.
- Avoid sudden turns or rapid speed changes.
- Reduce speed and use extreme caution on slopes.
- Avoid turning down slopes; if possible turn up slopes.
- If machine slopes forward motion on a slope, stop the blades and drive slowly off the slope.

Wheels dropping over edges may result in serious injury, death or drowning.

- Do NOT operate down slopes downwards or near water, retaining walls or drop-offs.
- Save yourself a minimum of two mower widths of clearance around these hazards.

Wet or soft slopes can cause sliding and loss of control.

- Do NOT operate on slopes when grass is wet.
- Do NOT operate on slopes when soil is soft (such as after heavy rains).

Fire Hazard

Gasoline is flammable. Yard debris is combustible.

- Allow engine to cool for at least 3 minutes before refueling.
- Keep unit cleaned of yard debris.
- This equipment may create sparks that can start fires around dry vegetation. A spark arrester may be required. Contact local fire agencies for regulations relating to fire prevention requirements.

WARNING

Amputation and Pinch Point Hazard

To avoid injury from rotating parts, stay clear of parts and keep all shields and guards in place.

DANGER

Amputation and thrown objects hazard

- Keep hands and feet away from deck.
- Do not operate mower unless discharge chute or entire grass catcher is in its proper place.

WARNING

Avoid serious injury or death from rollover.

Do not operate without the rollbar installed and operational.

WARNING

AVOID SERIOUS INJURY OR DEATH FROM ROLL OVER:

Keep roll bar in the raised position and use seat belt.

THERE IS NO ROLL OVER PROTECTION WHEN THE ROLL BAR IS DOWN

Lower the roll bar only when necessary and NEVER remove it.

Do NOT use seat belt when the roll bar is down.

Raise the roll bar as soon as clearance permits.

Do NOT jump off if mower tips.

Read and follow all operating instructions and warnings in the operator's manual.

WARNING

LOW OVERHANGING OBSTACLES HAZARD

Check for overhead clearances before driving under any objects. Do NOT allow roll bar to contact low overhanging obstacles, such as tree branches and guide wires.

CAUTION

ROLL OVER PROTECTIVE STRUCTURE

To maintain operator protection and roll bar certification:

Replace a damaged roll bar, do NOT attempt to repair or modify.

Any alteration of the roll bar must be approved by the manufacturer.

DO NOT exceed the machine weight rating of the roll bar.

HYDRAULIC OIL RESERVOIR

USE SAE 20W-50 MOTOR OIL

Belts & Blades

Tractor	
Pump Drive Belt	84001673
52" Mower	
Deck Drive Belt - Long LH	84001674
Deck Drive Belt - Short RH	84001675
Mower Blade	84001676
61" Mower	
Deck Drive Belt - Long LH	84001677
Deck Drive Belt - Short RH	84001678
Mower Blade	84001679

WARNING

PINCH POINT

To avoid injury from loaded spring, read operator's manual before removing spring.

WARNING

AVOID SERIOUS INJURY OR DEATH FROM ROLL OVER:

Keep roll bar in the raised position and use seat belt.

THERE IS NO ROLL OVER PROTECTION WHEN THE ROLL BAR IS DOWN

Lower the roll bar only when necessary and NEVER remove it.

Do NOT use seat belt when the roll bar is down.

Raise the roll bar as soon as clearance permits.

Do NOT jump off if mower tips.

Read and follow all operating instructions and warnings in the operator's manual.

WARNING

LOW OVERHANGING OBSTACLES HAZARD

Check for overhead clearances before driving under any objects. Do NOT allow roll bar to contact low overhanging obstacles, such as tree branches and guide wires.

CAUTION

ROLL OVER PROTECTIVE STRUCTURE

To maintain operator protection and roll bar certification:

Replace a damaged roll bar, do NOT attempt to repair or modify.

Any alteration of the roll bar must be approved by the manufacturer.

DO NOT exceed the machine weight rating of the roll bar.

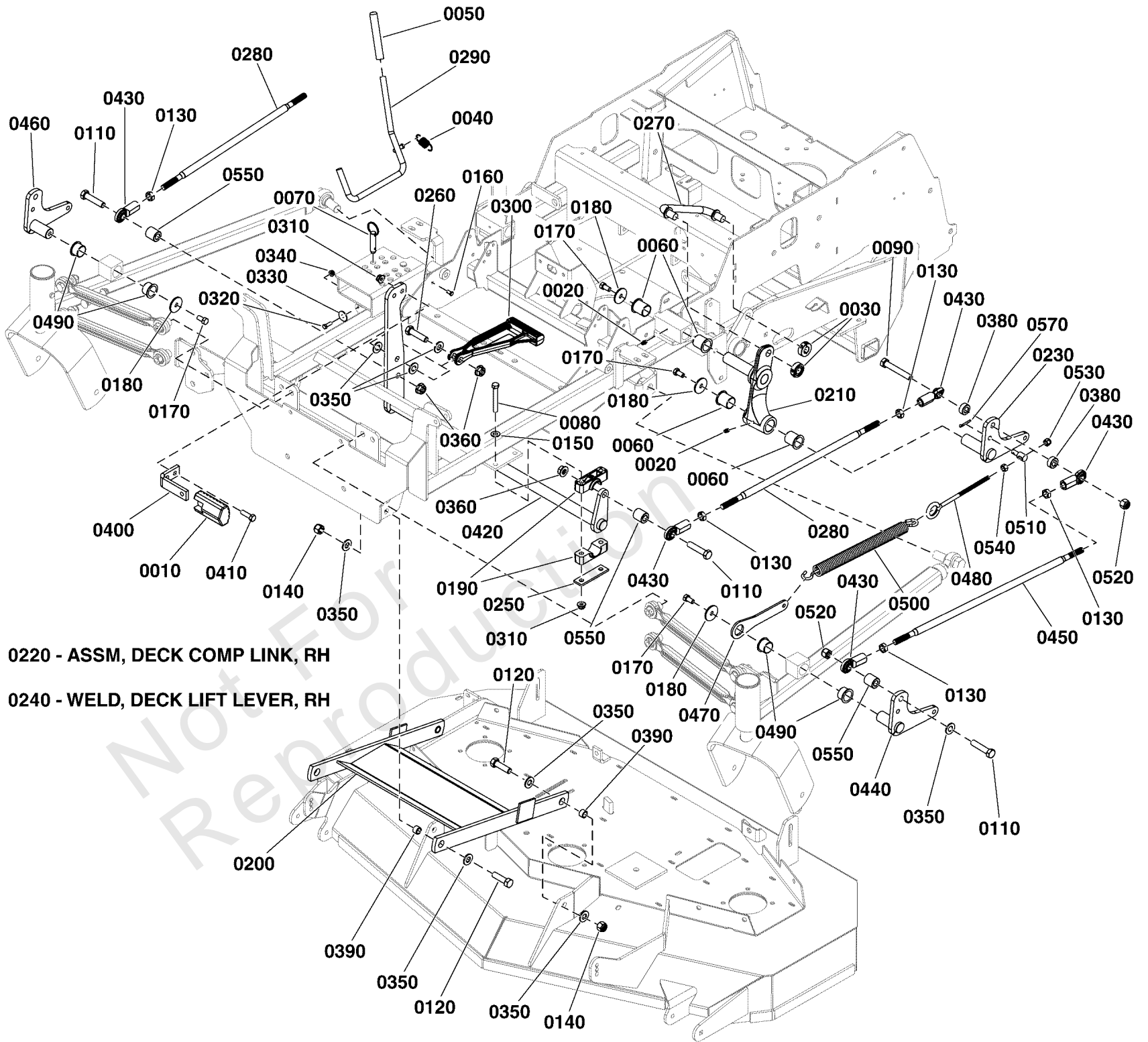
Decal Group - Safety & Operation

REF NO	PART NO	QTY	DESCRIPTION
1	84006556	1	DECAL, Main, Safety, ZT
2	5103184YP	1	DECAL, WARNING, HAND IN BELT, ENG ONLY
3	7101665YP	2	DECAL, DANGER DO NOT OPERATE W/O DEFLECT
4	5103725YP	1	DECAL, TRANSAXLE RELEASE, 600/700
5	5100683SM	2	DECAL, WARNING, ROLL BAR
6	5048970SM	1	DECAL, IGNITION SWITCH
7	5100280SM	1	DECAL, THROTTLE CONTROL
8	5104082YP	1	DECAL, WARNING, FOLDING ROPS -(SV)
9	5100405YP	1	DECAL, WARNING OVERHANG, ROPS -(SV)
10	5100957SM	1	DECAL, HYDRAULIC OIL, SAE 20W50
11	5103720YP	1	DECAL, CUT HEIGHT, IS700/ZTS700
12	84003130	1	DECAL, Belt & Blade
13	5061245SM	2	DECAL, PINCH POINT -(Qty: 1 for models with 52" mower deck)
14	5104083YP	1	DECAL, CAUTION, FOLDING ROPS -(SV)

Deck Lift Group

Note: Unless noted otherwise, use the standard torque specifications

Mfg. No: 5901954



0220 - ASSM, DECK COMP LINK, RH

0240 - WELD, DECK LIFT LEVER, RH

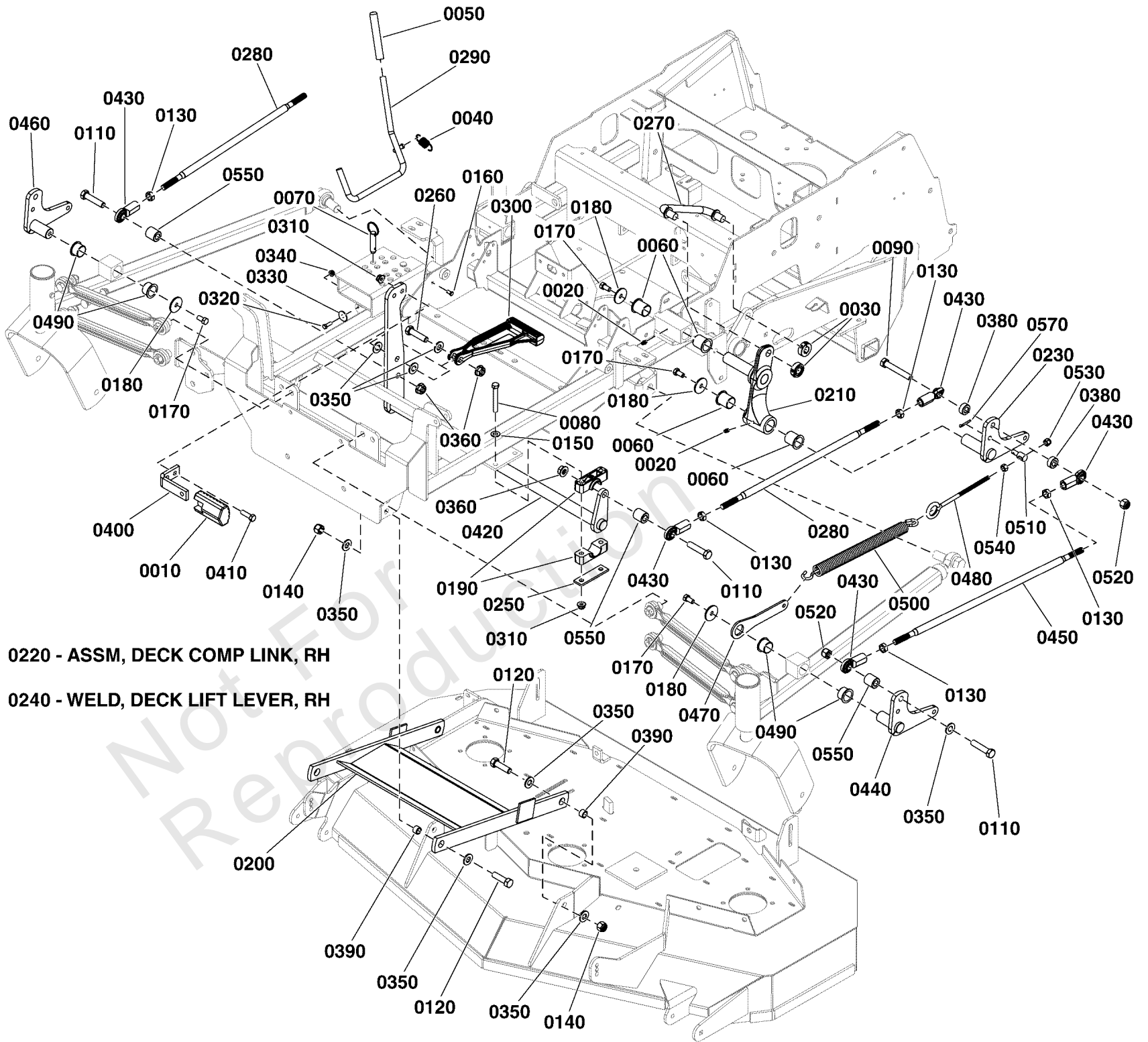
Deck Lift Group

REF NO	PART NO	QTY	DESCRIPTION
0010	5104262YP	1	PEDAL, Rubber
0020	5020095SM	4	GREASE FITTING, 1/4-28 STRAIGHT
0030	5020441SM	4	COLLAR, 5/8" SPLIT
0040	5010213YP	1	SPRING-EXT, .740 ODX2.025LGX.072WR, BLK
0050	5021880SM	1	GRIP, FOAM, .475 X 4.35 X .095
0060	5023343SM	8	BUSHING, 1.00 X 1.13 X 1.38, PLASTIC
0070	5023498SM	1	PIN, HITCH, 1/2 X 2.00 OAL, YP
0080	5025013X22SM	4	CAPSCREW, Hex Head, 3/8-16 X 2-3/4
0090	5025017X26SM	2	BOLT, 1/2-13 X 3-1/4, HEX HD, GD5, YZ
0110	5025017X22SM	4	BOLT, 1/2-13 X 2-3/4 GD5 YZ
0120	5025018X14SM	4	BOLT, 1/2-20 X 1-3/4" GD5 YZ
0130	5025089SM	8	NUT, Hex Jam, 1/2-20
0140	5025098SM	4	NUT, Hex, Nylon Lock, 1/2-20
0150	703590	4	WASHER, .406
0160	5025212X4SM	1	PIN, CLEVIS, 1/4 X 1/2, PLATED
0170	5025443SM	6	BOLT, 3/8-16 x 3/4, GD5, YZ WITH PATCH
0180	5100548SM	6	WASHER, .390 X 1.50 X .109, YZ
0190	5100634SM	4	BLOCK
0200	84006569	1	BAR, Puller
0210	5105172YP	1	ASSM, DECK COMP LINK, LH-CAST
0220	5105173YP	1	ASSM, DECK COMP LINK, RH-CAST
0230	5401671AYP	1	WELD, DECK LIFT LEVER, LH - BLK
0240	5401672AYP	1	WELD, DECK LIFT LEVER, RH - BLK
0250	5403925AYP	2	PLATE, Pivot
0260	5025017X16YP	1	CAPSCREW, Hex Head, 1/2-13 x 2
0270	5103703YP	2	ROD, SUSPENSION LINK, IS700, CZ
0280	5103758YP	2	ROD, DECK LIFT, 19.25, CZ
0290	5410317AYP	1	WELD, Rod, Deck Lift - BLK
0300	5104133YP	1	ARM LINK
0310	5025394SM	6	NUT, Hex Flange, Nylock, 3/8-16
0320	703338	2	CAPSCREW, Hex Head, 1/4-20 x 5/8, GR5
0330	5025288YP	2	WASHER, 1/4
0340	703463	2	NUT, Flange Nylock , 1/4-20
0350	5025158SM	13	WASHER, 1/2
0360	5025396SM	3	NUT, Hex Flange, 1/2-13
0380	5045023SM	4	SPACER, .52 X 1.00 X .44, CZ
0390	5020870SM	4	INSERT, BEARING
0400	5061569AYP	1	PEDAL, FOOT - BLK
0410	5025013X10SM	2	CAPSCREW, Hex Head, 3/8-16 x 1-1/4
0420	84002183	1	WELD, DECK LIFT SHAFT - BLK
0430	1702779SM	8	JOINT-BALL .500-20 THD .500ID
0440	84002184	1	WELD, DECK LIFT LEVER, LH - BLK
0450	84002474	2	ROD, DECK LIFT, EXTERNAL THRD, 23.38
0460	84002185	1	WELD, DECK LIFT LEVER, RH - BLK
0470	84002186	2	MOUNT, SPRING, DECK LIFT - BLK
0480	5021811SM	2	EYEBOLT, 3/8-16 X 8, 3 THRD, 1 EYE, CZ
0490	5023356SM	4	BUSHING, 1.00 X 1.13 X .75, PLASTIC
0500	5023355SM	2	SPRING-EXT, 1.00 ODX13.25LGX.177WR, BLK
0510	5100380SM	2	ADJUSTER, DECK HANGER
0520	7091325YP	4	NUT, 1/2-13 HEX NYLON LOCK
0530	5025096SM	2	NUT, Hex, Nylon Lock, 3/8-16

Deck Lift Group

Note: Unless noted otherwise, use the standard torque specifications

Mfg. No: 5901954



0220 - ASSM, DECK COMP LINK, RH

0240 - WELD, DECK LIFT LEVER, RH

Deck Lift Group

REF NO	PART NO	QTY	DESCRIPTION
0540	5025034SM	2	NUT, 3/8-16 HEX
0550	5044673SM	4	SPACER, .52 X 1.00 X .88, PM, CZ
0570	5025203X6SM	2	PIN, COTTER, 1/8" X 3/4

Not For Reproduction

Electrical Group

REF NO	PART NO	QTY	DESCRIPTION
0010	1722009SM	1	STRAP, Rubber, 13"
0020	-----	1	BATTERY, WET (BCIU1, 340 CCA) -(Refer to Note: *)
0030	5021405SM	1	BATTERY CABLE, POS, 22, 1/4-5/16
0040	5047690SM	1	BATTERY CABLE, NEG, 14, 5/16-13/32
0050	7022886YP	1	SWITCH, DP, NO/NC, Snap-In
0060	703331	2	NUT, 5/16-24, Hex, GR5, Zinc/Clear
0070	5023217SM	2	WASHER, LIGHT LOCK, 5/16 (SV)
0080	703233	3	NUT, Serrated, Flange, 1/4-20, GR5
0090	703332	4	WASHER, Flat, 1/4
0100	5025010X6SM	2	CAPSCREW, Hex Head, 1/4-20 x 3/4 (stiffener to top of cover)
0110	84002031	1	HARNESS, Wiring
0120	5021029SM	8	TIE, SELF-LOCKING, 12"
0130	5021500SM	3	CLAMP, VINYL INSULATED, 1.00
0140	703338	3	CAPSCREW, Hex Head, 1/4-20 x 5/8, GR5
0150	703463	5	NUT, Flange Nylock , 1/4-20
0170	5050927X18YP	2	WIRE LOOM, 3/8 ID X 18 IN
0180	5021030SM	3	TIE, 6" Self-Locking
0190	5025179X6SM	2	SCREW, #10-24 X 3/4", ROUND PHILLIPS
0200	703412	2	NUT, Nylock, #10-24
0210	703061	1	NUT, 1/4-20, Keps, Conical Washer
0220	84006567	1	HARNESS, Jumper
0230	84006408	1	MODULE, Throttle Control
1000	-----	0	Refer to: Engine & PTO Group

Footnotes:

Note: * Not for sale. Obtain locally.

Electrical Schematic - Charging Circuit

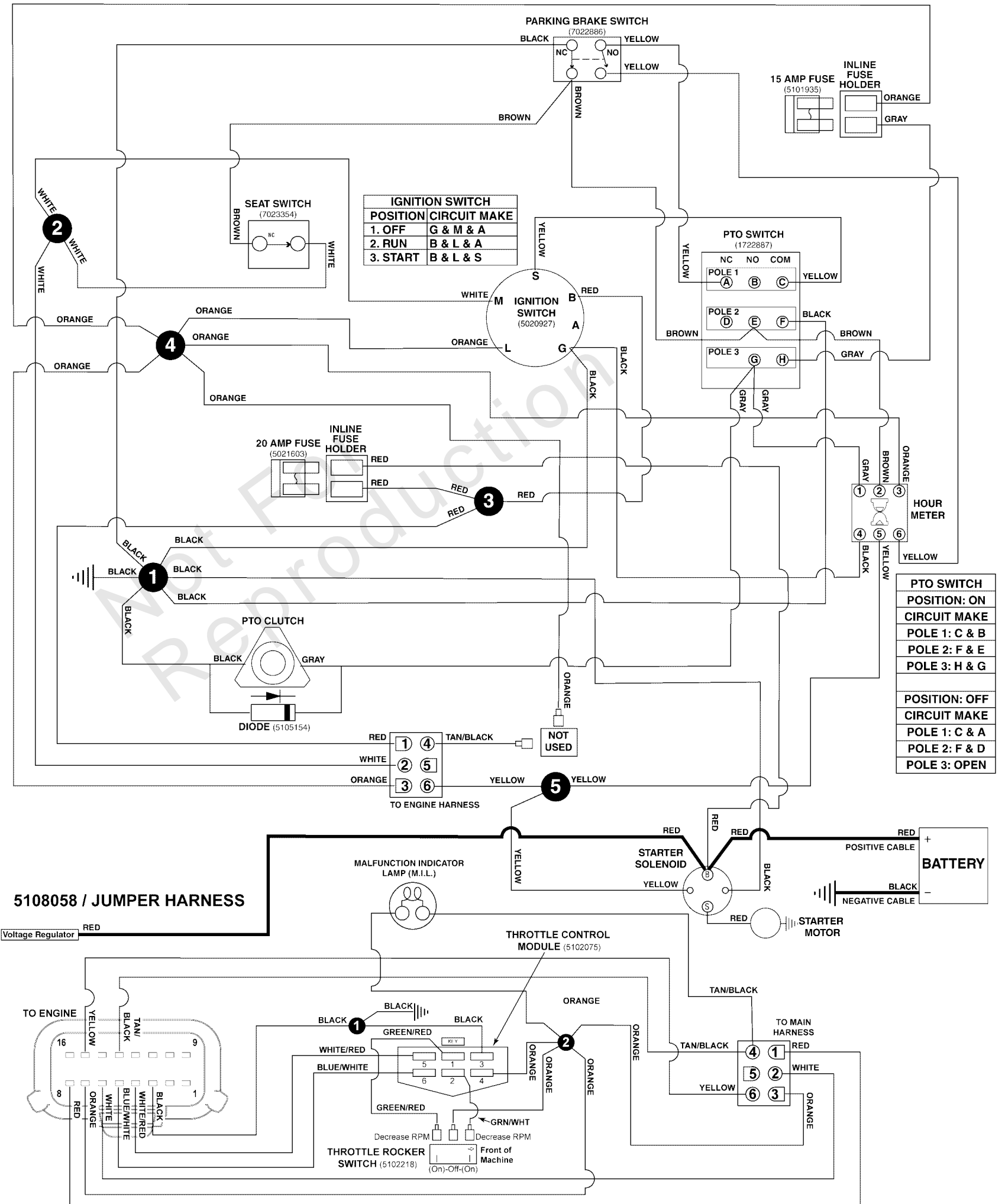
Note: Unless noted otherwise, use the standard torque specifications

Mfg. No: 5901954

5107433 MAIN WIRE HARNESS - BRIGGS & STRATTON 49X977 ENGINES

5107433B

(If internal schematic of the switch is not shown, the image of the switch represents the back view of the connector as it is connected to the switch.)



Electrical Schematic - Charging Circuit

REF NO	PART NO	QTY	DESCRIPTION
5107433	84002031	1	HARNESS, Wiring
5108058	84006567	1	HARNESS, Jumper

Not For Reproduction

Electrical Schematic - Cranking Circuit

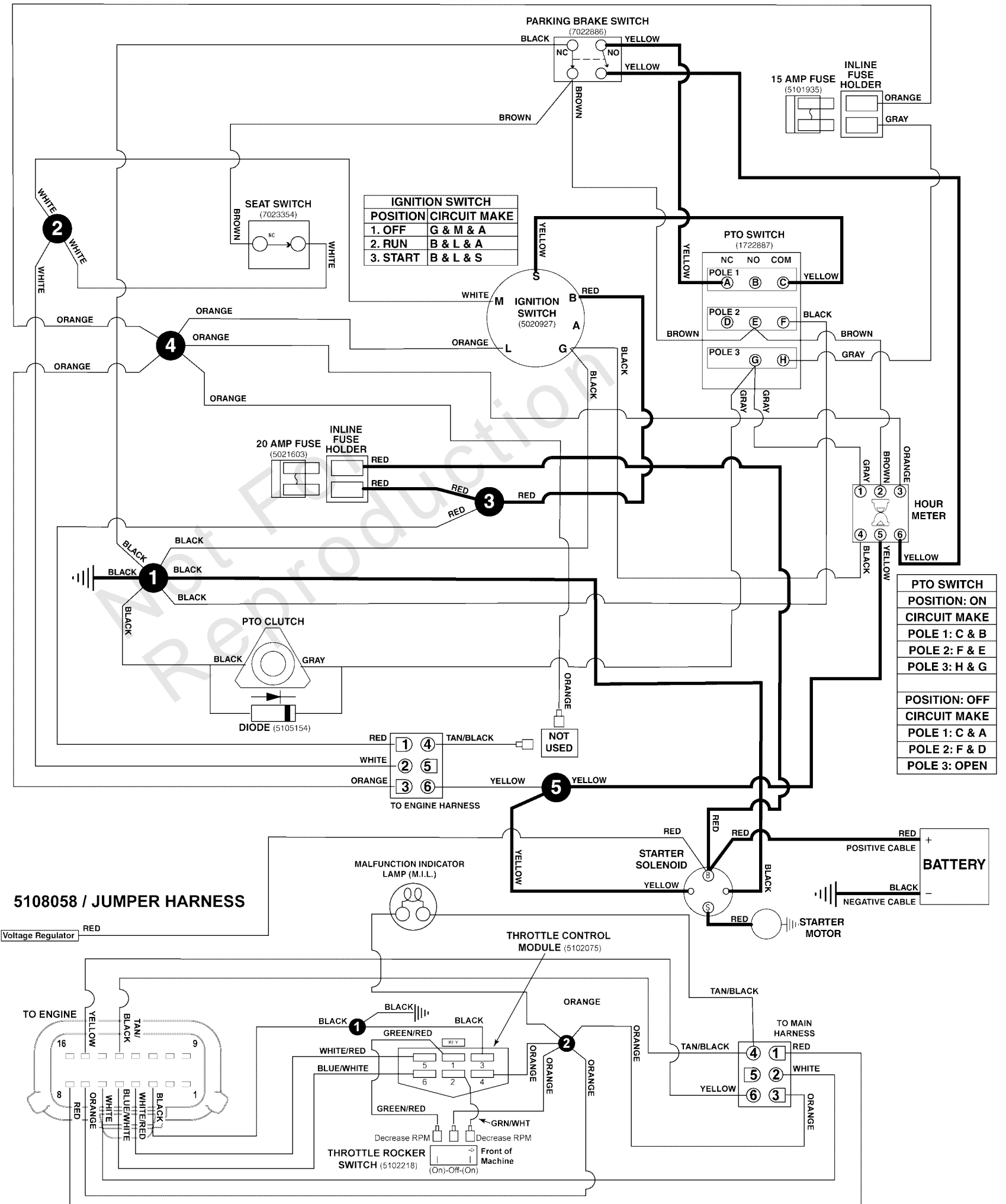
Note: Unless noted otherwise, use the standard torque specifications

Mfg. No: 5901954

5107433 MAIN WIRE HARNESS - BRIGGS & STRATTON 49X977 ENGINES

5107433B

(If internal schematic of the switch is not shown, the image of the switch represents the back view of the connector as it is connected to the switch.)



Electrical Schematic - Cranking Circuit

REF NO	PART NO	QTY	DESCRIPTION
5107433	84002031	1	HARNESS, Wiring
5108058	84006567	1	HARNESS, Jumper

Not For Reproduction

Electrical Schematic - Ign. Ground Circuit/Op Pres.

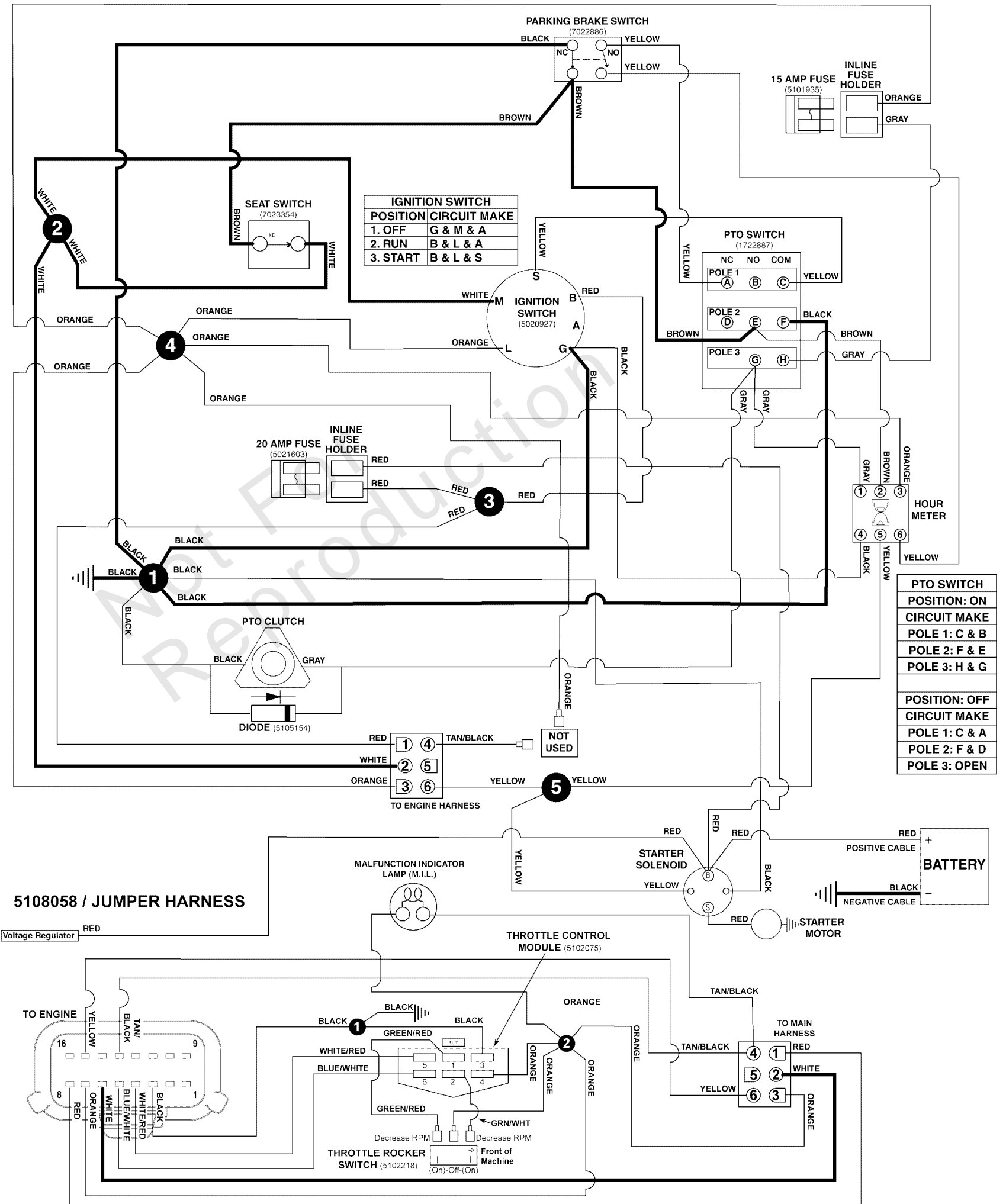
Note: Unless noted otherwise, use the standard torque specifications

Mfg. No: 5901954

5107433 MAIN WIRE HARNESS - BRIGGS & STRATTON 49X977 ENGINES

5107433B

(If internal schematic of the switch is not shown, the image of the switch represents the back view of the connector as it is connected to the switch.)



Electrical Schematic - Ign. Ground Circuit/Op Pres.

REF NO	PART NO	QTY	DESCRIPTION
5107433	84002031	1	HARNESS, Wiring
5108058	84006567	1	HARNESS, Jumper

Not For Reproduction

Electrical Schematic - PTO Clutch Circuit

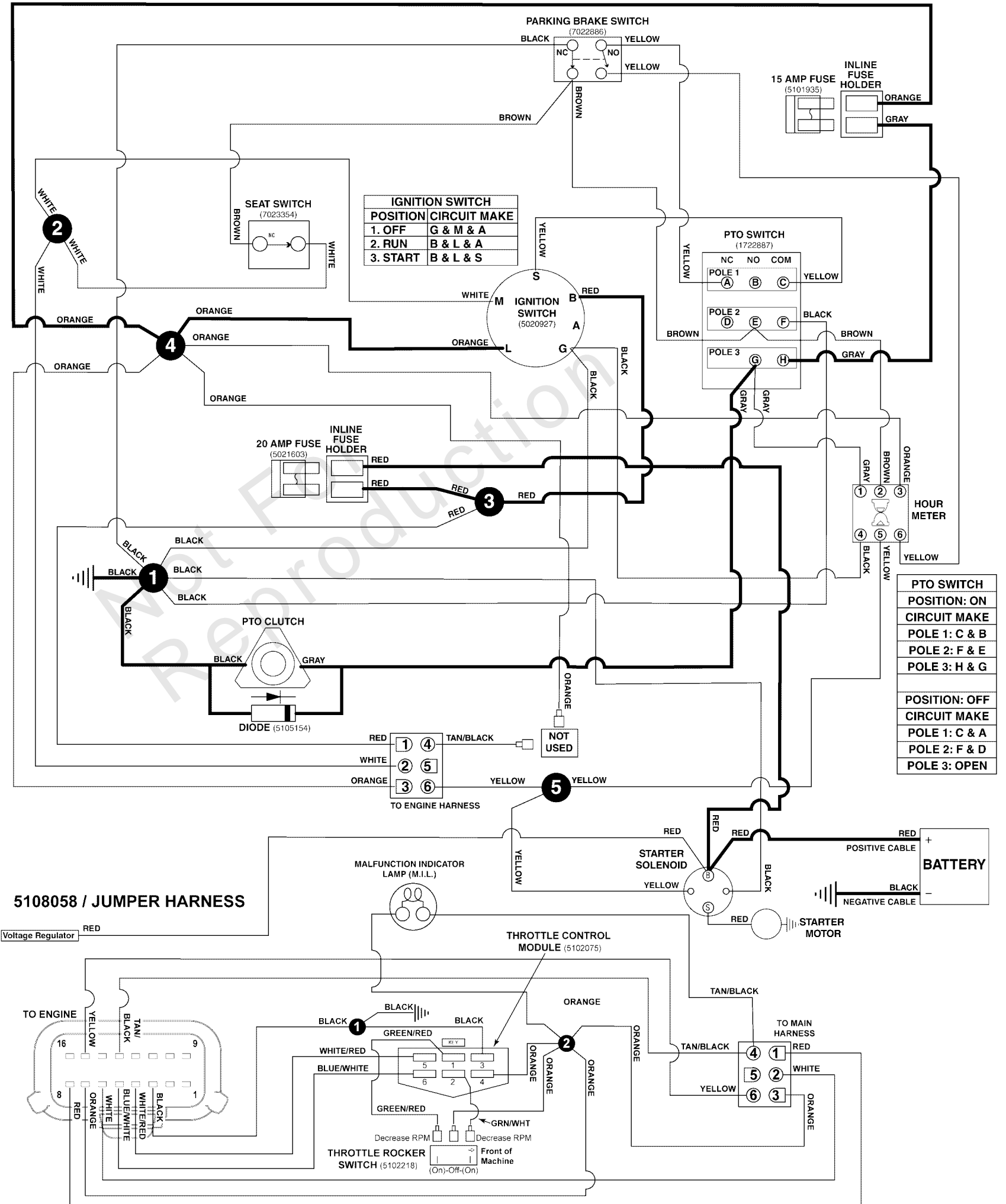
Note: Unless noted otherwise, use the standard torque specifications

Mfg. No: 5901954

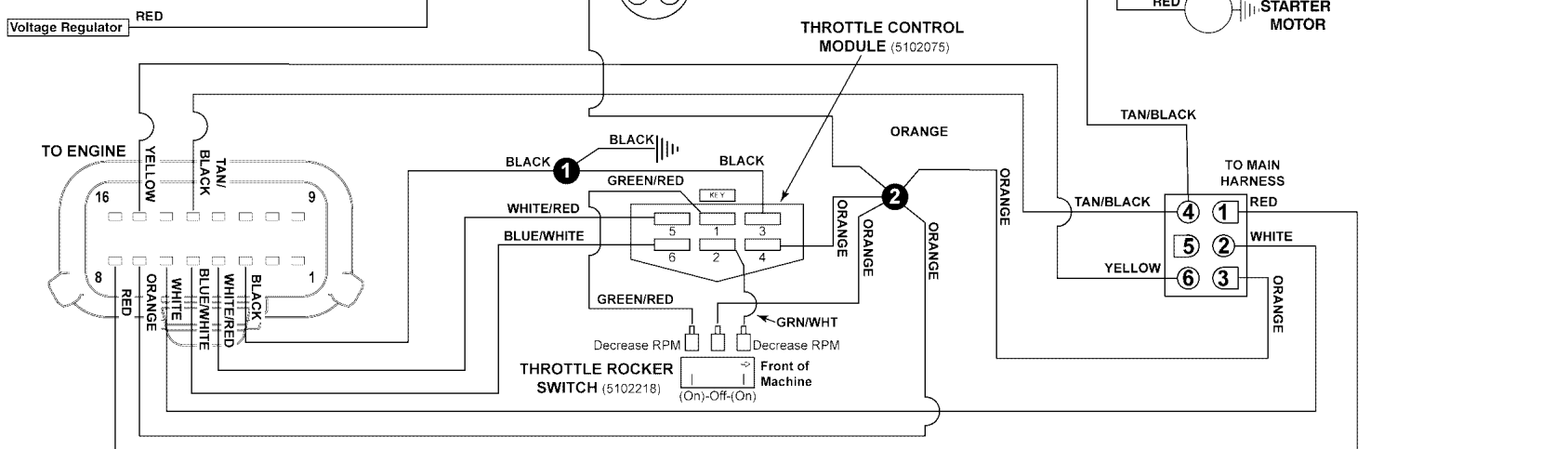
5107433 MAIN WIRE HARNESS - BRIGGS & STRATTON 49X977 ENGINES

5107433B

(If internal schematic of the switch is not shown, the image of the switch represents the back view of the connector as it is connected to the switch.)



5108058 / JUMPER HARNESS



Electrical Schematic - PTO Clutch Circuit

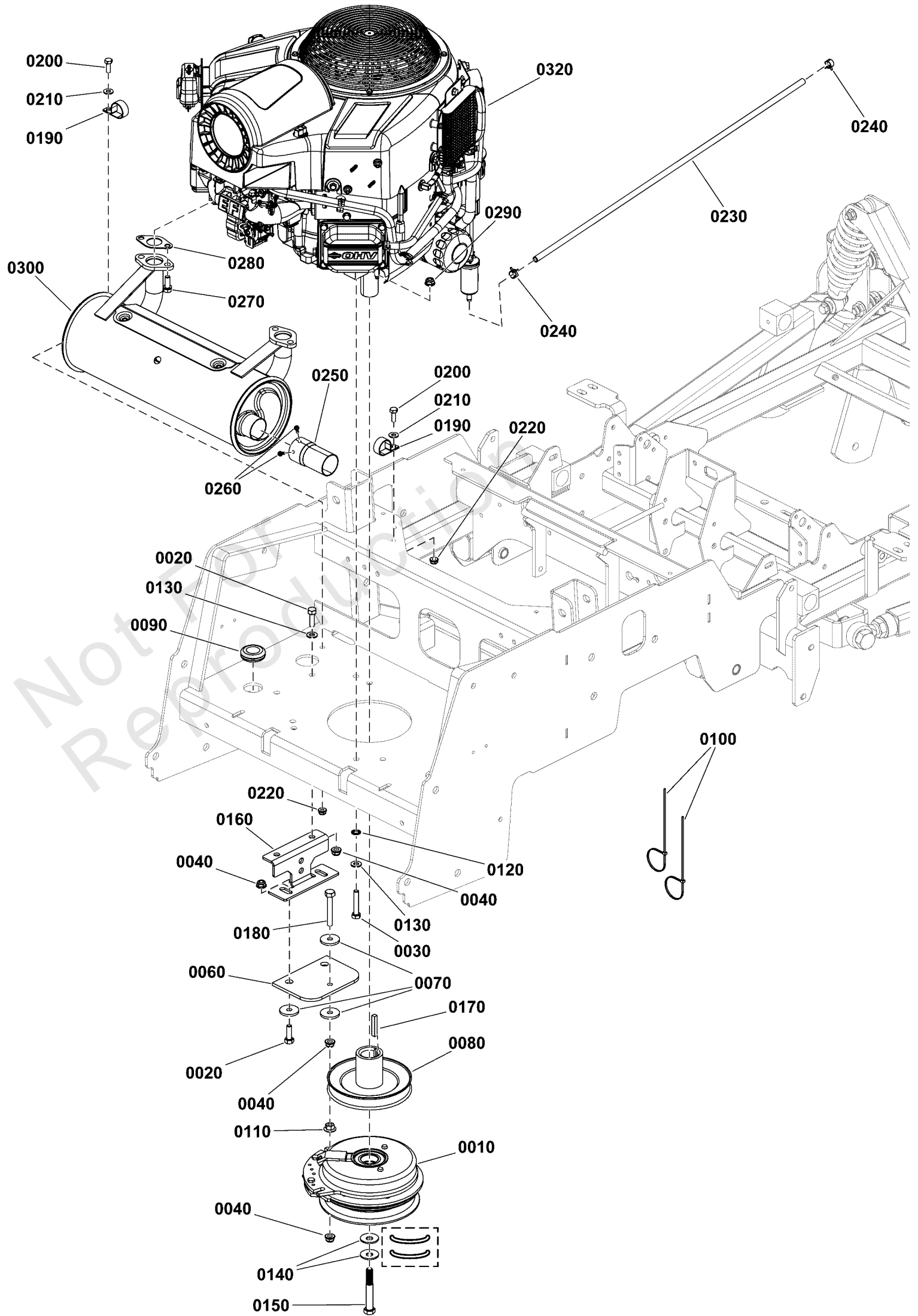
REF NO	PART NO	QTY	DESCRIPTION
5107433	84002031	1	HARNESS, Wiring
5108058	84006567	1	HARNESS, Jumper

Not For Reproduction

Engine and PTO Group

Note: Unless noted otherwise, use the standard torque specifications

Mfg. No: 5901954



Engine and PTO Group

REF NO	PART NO	QTY	DESCRIPTION
0010	5105090YP	1	CLUTCH, WARNER, 200 FT-LB, 1.13" X 6.323
0020	703585	4	CAPSCREW, Hex Head, 5/16-18 x 1
0030	5025025X14YP	4	BOLT, 5/16-24 X 1-3/4, GD8, PHOS -(Torque engine mounting bolts to 50 ft-lbs (23 Nm))
0040	703115	6	NUT, Flange Nylock, 5/16-18
0060	5043636SM	1	PAD, Clutch Anchor
0070	5044617SM	4	WASHER, CLUTCH ANCHOR, 5/16
0080	5105108YP	1	PULLEY, CRANKSHAFT 1.1255"ID X 5.318" OB
0090	5021379SM	1	GROMMET, 7/8"
0100	5101492YP	2	TIE, SELF-LOCKING, 24"
0110	5025139SM	1	NUT, 5/16-18 HEX SERRATED FLANGE (LARGE)
0120	5025188SM	4	WASHER, 5/16" Internal Tooth Lock
0130	703350	6	WASHER, 5/16, Flat SAE, Zinc/Clear
0140	5025585YP	2	BELLEVILLE, WASHER, 1.1875 X .442 X .089
0150	5102866YP	1	BOLT, CRANKSHAFT, 7/16-20 X 3, GD8 -(Torque crankshaft mounting bolt to 65 ft-lbs (88 Nm))
0160	5410367AYP	1	ANCHOR, CLUTCH, IS600-IS700 - BLK
0170	5022726YP	1	KEY 1/4 SQ X 1 1/2 LONG
0180	5025055X18YP	1	BOLT, 5/16-18 X 2-1/4
0190	5021500SM	3	CLAMP, VINYL INSULATED, 1.00
0200	5025010X6SM	3	CAPSCREW, Hex Head, 1/4-20 x 3/4 (stiffener to top of cover)
0210	703332	5	WASHER, Flat, 1/4
0220	703463	5	NUT, Flange Nylock , 1/4-20
0230	5050831X29SM	1	HOSE, 1/4" FUEL, 29.00"
0240	691038	2	CLAMP, Hose
0250	5104348YP	1	EXTENSION, TAILPIPE, 3", BLACK
0260	5025470YP	2	SCREW, SELF-TAP, #8-32 X 3/8, WASH HEX, CZ
0270	690341	4	SCREW
0280	690970	2	GASKET, Exhaust
0290	5025616YP	4	NUT, 5/16-24, TOP LOCK FLANGE, GD8 PHOS
0300	706900	1	MUFFLER, RIGHT OUTLET ASSY
0320	-----	1	ENG, 49X977G, BC0010 -(Refer to Note: *)

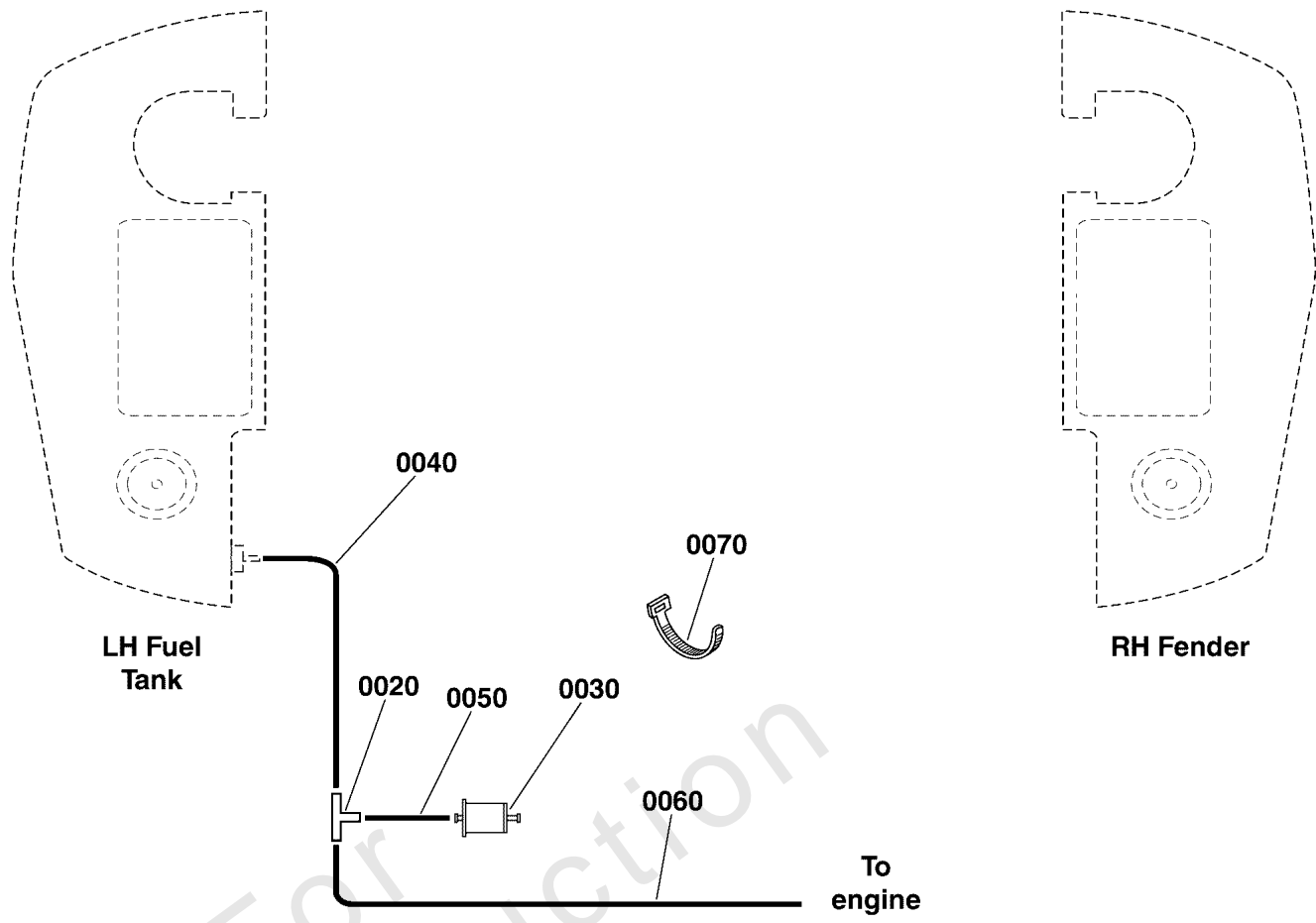
Footnotes:

Note: *See authorized Briggs & Stratton dealer for engine service parts.

Evap Group

Note: Unless noted otherwise, use the standard torque specifications

Mfg. No: 5901954



Not For
Reproduction

Evap Group

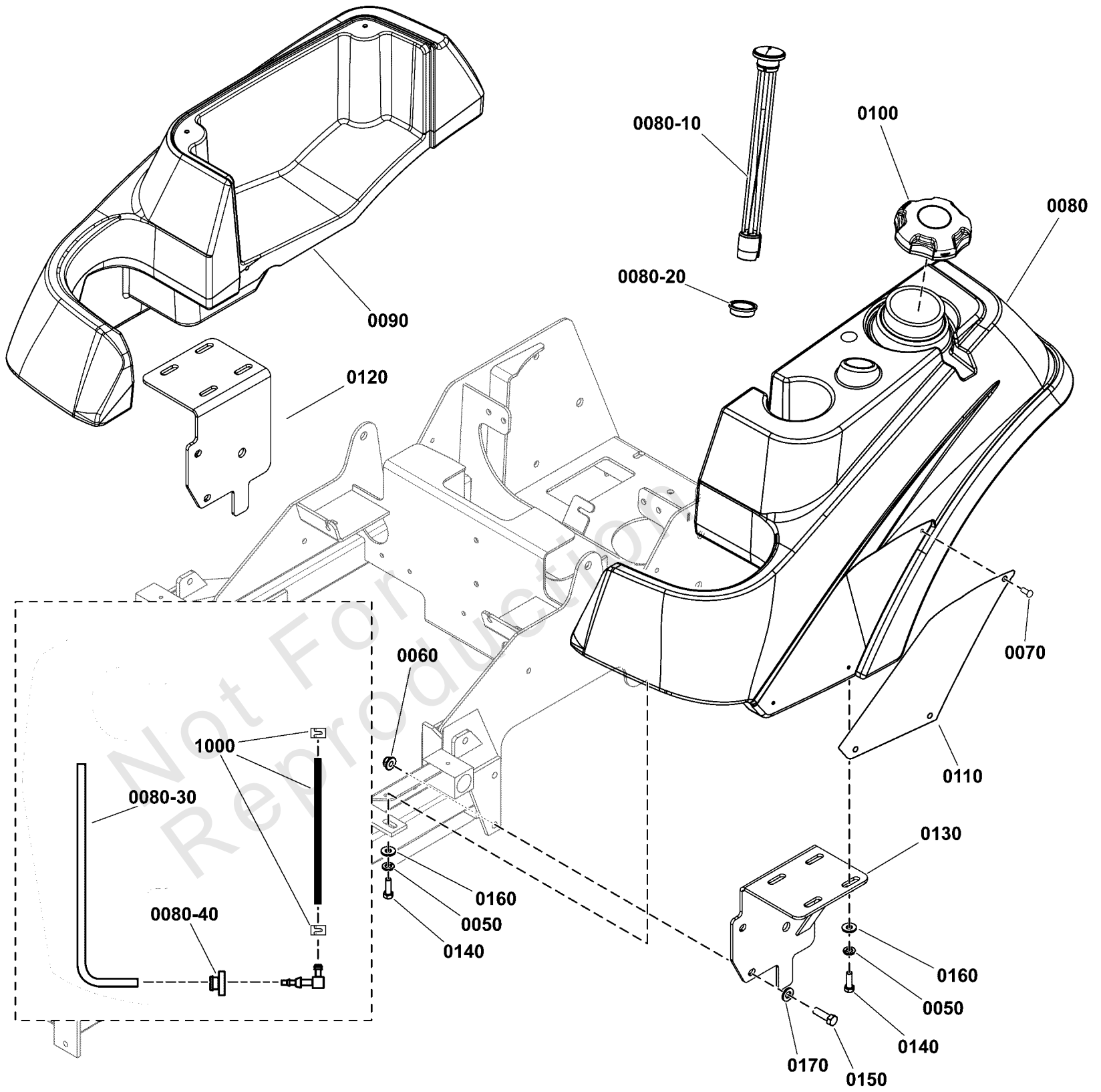
REF NO	PART NO	QTY	DESCRIPTION
0020	5103062YP	1	FITTING, 3/16" TEE, BARB TYPE, HDPE
0030	84001895	1	FILTER, Fuel
0040	7700552X29YP	1	HOSE, VAPOR, 5MM ID, 29.00 LG
0050	7700552X12YP	1	HOSE, Vapor, 5 MM ID X 9 MM OD X 12"
0060	7700552X2YP	1	HOSE, VAPOR, 5MM ID, 2.00 LG
0070	5021030SM	3	TIE, 6" Self-Locking

Not For Reproduction

Fuel Tank & Mount Group

Note: Unless noted otherwise, use the standard torque specifications

Mfg. No: 5901954



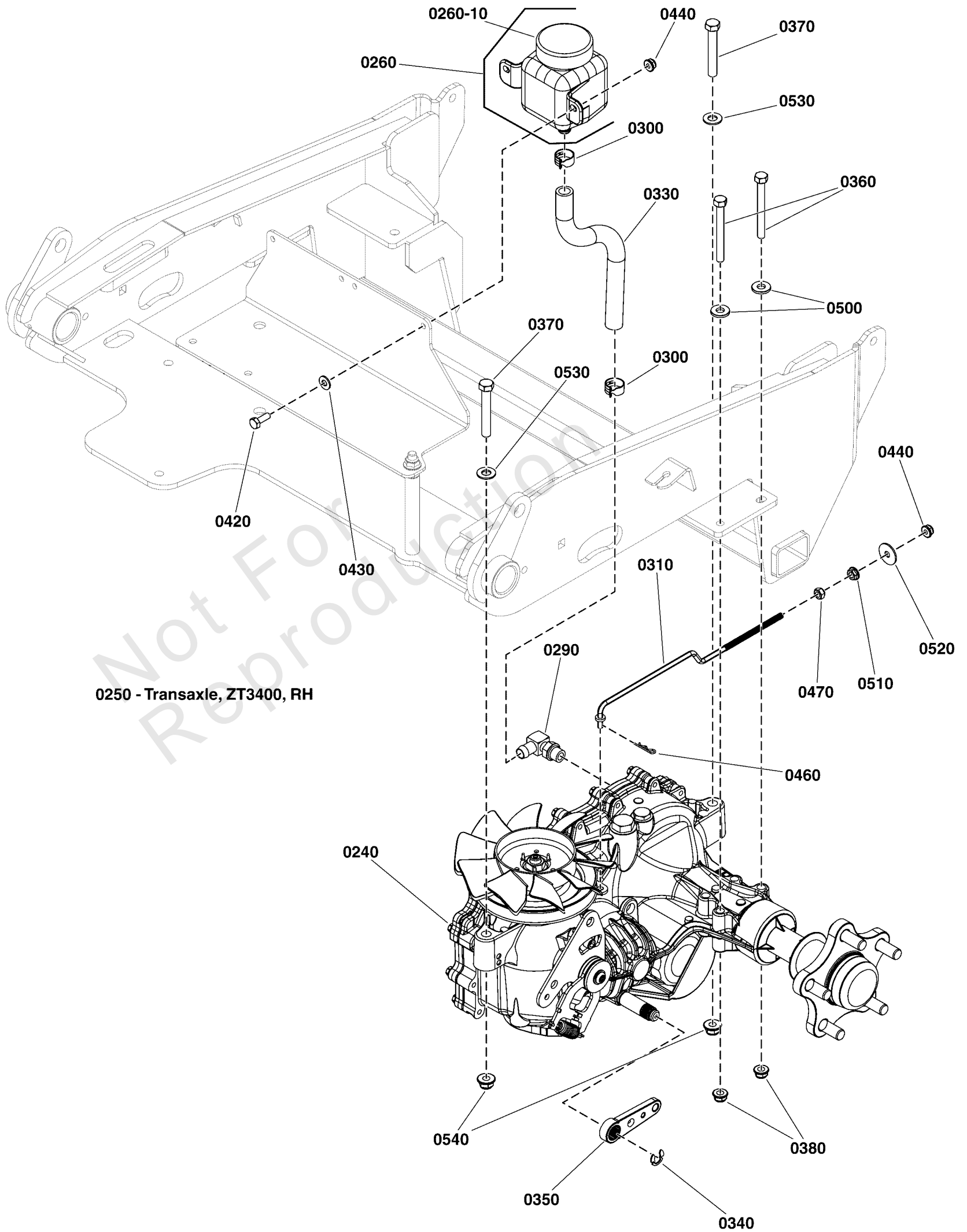
Fuel Tank & Mount Group

REF NO	PART NO	QTY	DESCRIPTION
0050	5025170SM	10	WASHER, Flat
0060	5025394SM	4	NUT, Hex Flange, Nylock, 3/8-16
0070	5025386SM	6	CAPSCREW, Button Allen Head, #10-24 X 3/8
0080	5103176YP	1	TANK, FUEL, IS500 & IS1500 - LH
0080-10	5022917X1SM	1	GROMMET, FUEL GAUGE (SV)
0080-20	5022917SM	1	GAUGE, FUEL, 12 (SV)
0080-30	5101149SM		HOSE ASSEMBLY
0080-40	1654930SM		BUSHING, Fuel Tank
0090	5049948SM	1	TANK, FENDER, CITATION/ZT4000 - RH
0100	84005958	1	CAP, Fuel Tank
0110	5400250CSM	2	BADGE, CITATION, ORANGE
0120	5409854AYP	1	WELD, TANK MOUNT, RH - BLK
0130	5409856AYP	1	WELD, TANK MOUNT, LH - BLK
0140	5025011X6SM	10	CAPSCREW, Hex Head, 5/16-18 x 3/4
0150	5025013X10SM	4	CAPSCREW, Hex Head, 3/8-16 x 1-1/4
0160	5025292SM	10	WASHER, 5/16" GD.9 FLAT
0170	5025293SM	4	WASHER, 3/8" GR. 9 FLAT
1000	-----	1	Refer to: Engine & PTO Group

Hydraulic Group

Note: Unless noted otherwise, use the standard torque specifications

Mfg. No: 5901954



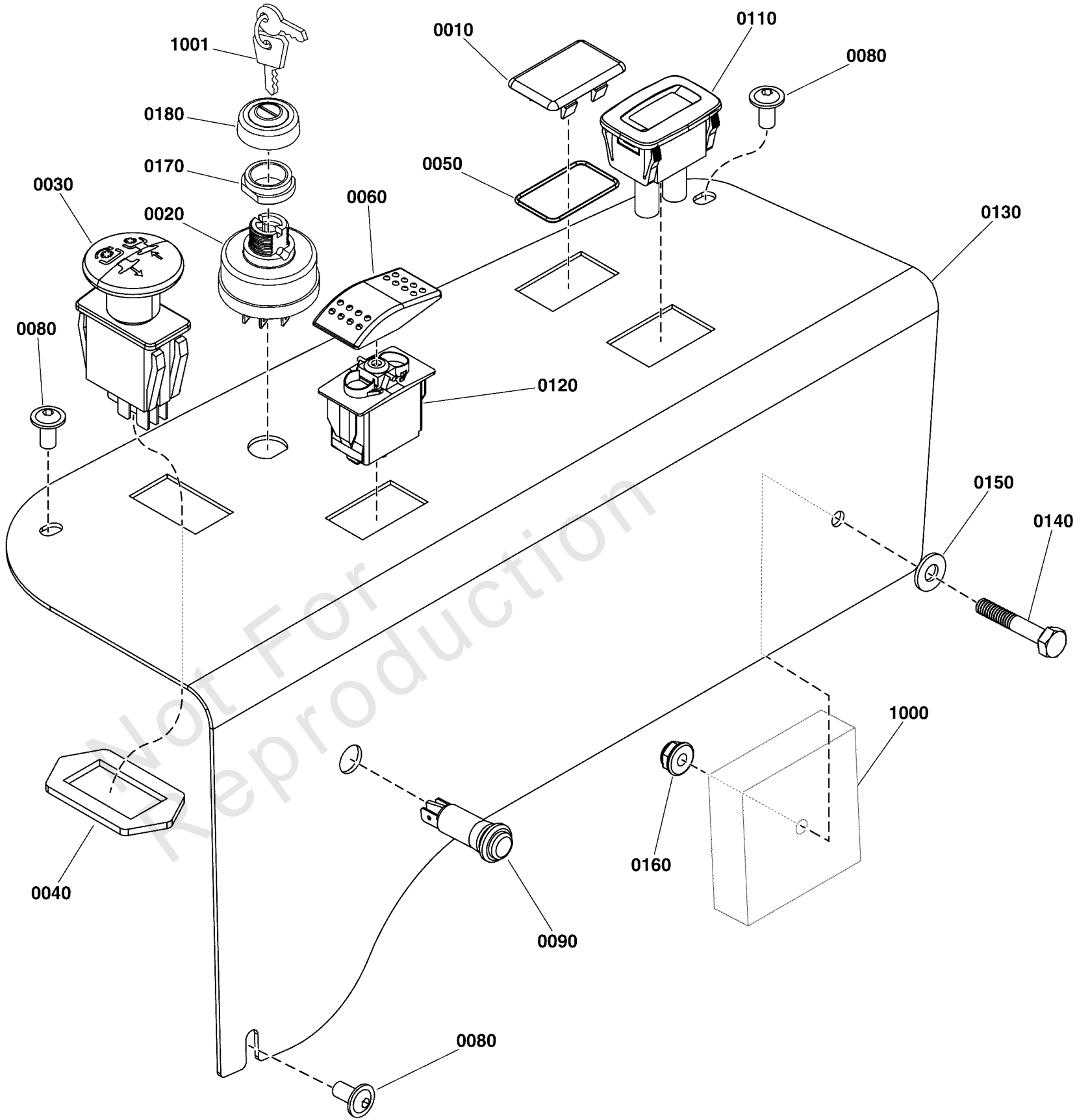
Hydraulic Group

REF NO	PART NO	QTY	DESCRIPTION
0240	84002464	1	TRANSAXLE, ZT3400, LH -(S/N: 40015467047 and below)
0240	84006575	1	TRANSAXLE (LH) -(S/N: 40015467048 and above)
0250	84002465	1	TRANSAXLE, ZT3400, RH -(Not illustrated)(S/N: 40015467047 and below)
0250	84006576	1	TRANSAXLE (RH) -(Not illustrated)(S/N: 40015467048 and above)
0260	5100473SM	2	RESERVOIR, Hydro
0260-10	5100778X1YP	2	RESERVIOR CAP (SV) -(One per Tank)
0290	5100370YP	2	FITTING, 9/16 O-Ring, 1/2" HOSE, 90 DEG
0300	5025474SM	4	CLAMP, Hose .75"
0310	5103631YP	2	ROD, DUMP VALVE, IS600, CZ
0330	5050857X9P5YP	2	HOSE, Hydro
0340	5104055YP	2	E-CLIP, Brake Arm
0350	5103750YP	2	ARM, Brake
0360	5025011X24SM	4	CAPSCREW, Hex Head, 5/16-18 x 3 -(Torque transmission mounting bolts to 17-22 ft-lbs (23-30 Nm))
0370	703868	4	CAPSCREW, Hex Head, 5/16-18 X 2 1/2, GR 5, -(Torque transmission mounting bolts to 30-35 ft-lbs (41-47 Nm))
0380	703873	4	CAPSCREW, Hex Head, 3/8-16 X 2 1/2
0420	5025010X6SM	4	CAPSCREW, Hex Head, 1/4-20 x 3/4 (stiffener to top of cover)
0430	703332	4	WASHER, Flat, 1/4
0440	703463	6	NUT, Flange Nylock , 1/4-20
0460	5025211SM	2	PIN, Hair
0470	5025095SM	2	NUT, Hex, Nylon Lock, 1/4-20
0500	5025292SM	4	WASHER, 5/16" GD.9 FLAT
0510	703233	2	NUT, Serrated, Flange, 1/4-20, GR5
0520	5025288YP	2	WASHER, 1/4
0530	703590	4	WASHER, .406
0540	5025394SM	4	NUT, Hex Flange, Nylock, 3/8-16

Instrument Control Panel - Fuel Injected Models with Electronic Throttle Control

Note: Unless noted otherwise, use the standard torque specifications

Mfg. No: 5901954



Instrument Control Panel - Fuel Injected Models with Electronic Throttle Control

REF NO	PART NO	QTY	DESCRIPTION
0010	1709188SM	1	PLUG, Hole, Electric Lift (Hydro models only)
0020	1737853YP	1	SWITCH ASSEMBLY, Ignition Indak No Keys/Hdwr
0030	1722887SM	1	SWITCH, PTO, Push/Pull
0040	5022222SM	1	RING, SWITCH RETAINER, PTO
0050	5022269SM	1	O-RING, 7/8" ID X 1/16" W
0060	84006404	1	SWITCH, Rocker
0080	84002228	3	SCREW, Flange
0090	5103809YP	1	LIGHT, INDICATOR, PANEL, LED, RED
0110	-----	1	HOUR METER, 2 CHANNEL -(Refer to Note: *)
0120	84006405	1	BODY, Rocker Switch
0130	84006565	1	PLATE, Control Panel
0140	5025010X12SM	1	BOLT, 1/4-20 X 1-1/2", GD5
0150	703332	1	WASHER, Flat, 1/4
0160	703463	1	NUT, Flange Nylock , 1/4-20
0170	847144	1	SET, Washer/Nut
0180	847150	1	CAP, Switch
1000	-----	1	MODULE, Throttle Control (See Electrical Group)
1001	1737836YP	1	KEYS, Ignition

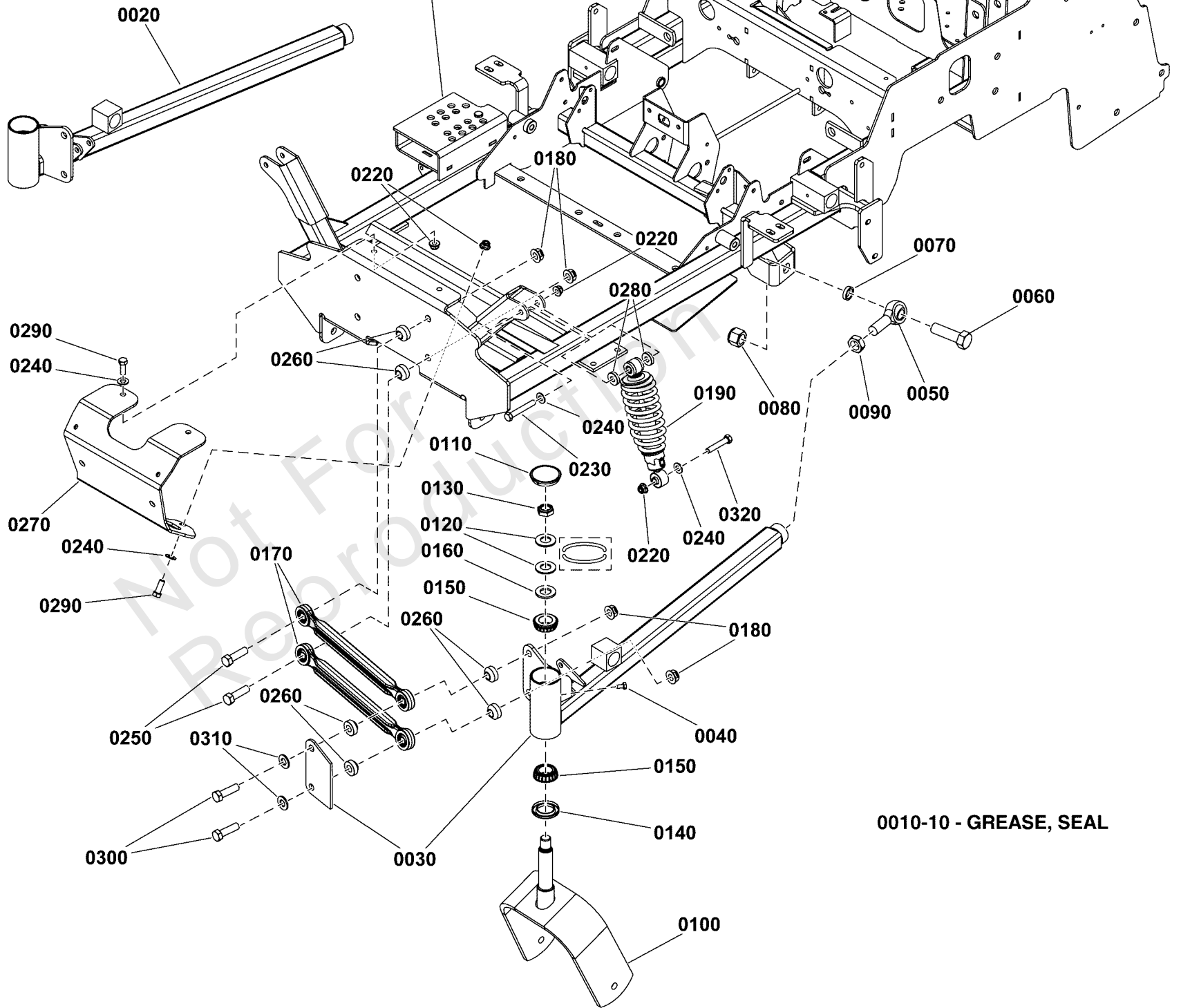
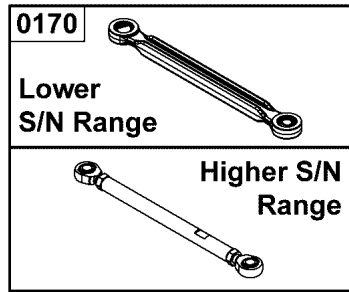
Footnotes:

Note: *When replacing this hour meter, please call our service department at 1-800-933-6175 ext. 709

Main Frame and Front Suspension Group

Note: Unless noted otherwise, use the standard torque specifications

Mfg. No: 5901954



Main Frame and Front Suspension Group

REF NO	PART NO	QTY	DESCRIPTION
0010	-----	1	WELD, Main Frame, Citation XT - Orange -(Refer to Note: *)
0010-10	5020883SM	4	CUP, BEARING (SV)
0020	84006559	1	ARM ASSEMBLY (RH)
0030	84006560	1	ARM ASSEMBLY (LH)
0040	5025457SM	2	BOLT, 1/4-28 X 1/2, GD5 YZ
0050	5022039SM	2	BALL JOINT, 3/4-16, MALE
0060	5025265X20YP	2	BOLT, 3/4-16 X 2-1/2 YZ GD8
0070	5047461SM	2	SPACER, .76 X 1.00 X .25
0080	5025284SM	2	NUT, Hex, Nylon Lock, 3/4-16
0090	5025093SM	2	NUT, Hex, Jam, 3/4-16
0100	84003067	2	YOKE, Caster
0110	5102929YP	2	CAP, LOW PROFILE, STEEL
0120	5025449SM	4	WASHER, BELLEVILLE - 1.500 X .755
0130	5025448SM	2	NUT, 3/4-16, HEX JAM NYLON LOCK
0140	5021072SM	2	SEAL, GREASE
0150	5020884SM	4	BEARING, TAPPERD ROLLER, 1"
0160	5025160SM	2	WASHER, 3/4" SAE
0170	84002002	4	CONTROL ARM, CAST -(S/N: 4001945662 and Below)
0170	84006986	4	ARM, Control -(S/N: 4001945663 and Above)
0180	84004661	8	NUT, HEX FLANGE, CENTER LOCK, 1/2-13, CZ
0190	84001896	2	ABSORBER, SHOCK
0220	5025394SM	8	NUT, Hex Flange, Nylock, 3/8-16
0230	703873	2	CAPSCREW, Hex Head, 3/8-16 X 2 1/2
0240	703590	8	WASHER, .406
0250	5025017X16YP	8	CAPSCREW, Hex Head, 1/2-13 x 2
0260	84004659	8	SPACER, TAPERED .52 X 1.13 X .563 -(S/N: 4001945662 and Below)
0260	84006987	8	SPACER -(S/N: 4001945663 and Above)
0270	84006561	1	COVER, Front
0280	84006562	4	SPACER (.39 X 1.00 X .24)
0290	703407	4	CAPSCREW, Hex Head, 3/8-16 x 1, GR5
0300	5025017X22SM	4	BOLT, 1/2-13 X 2-3/4 GD5 YZ
0310	704123	4	WASHER, 1/2 Flat
0320	703589	2	CAPSCREW, Hex Head, 3/8-16 X 2, GR5

Footnotes:

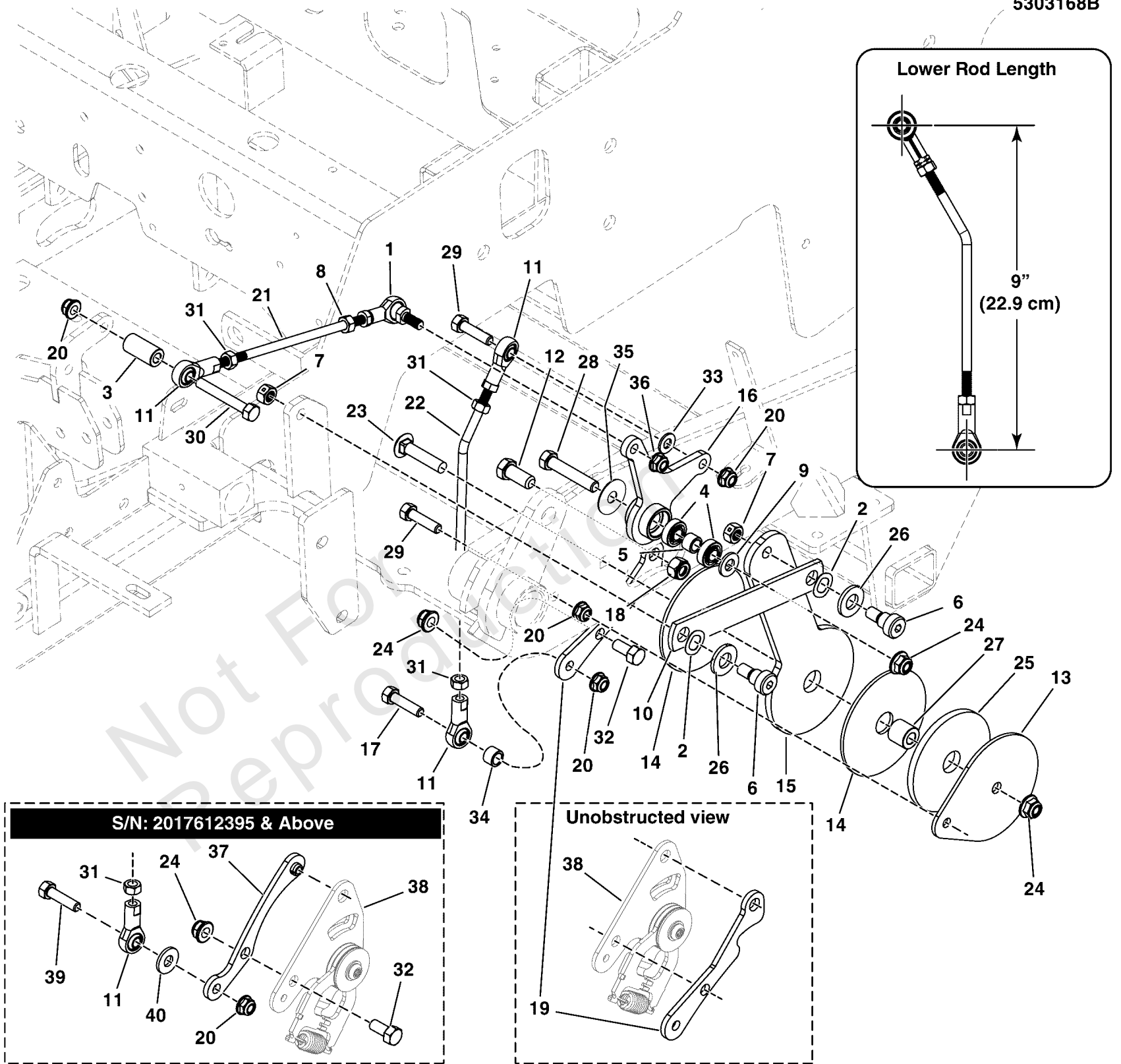
Note: *If replacing contact the Service Department at 1-800-933-6175.

Motion Control Group - Control System

Note: Unless noted otherwise, use the standard torque specifications

Mfg. No: 5901954

5303168B



Motion Control Group - Control System

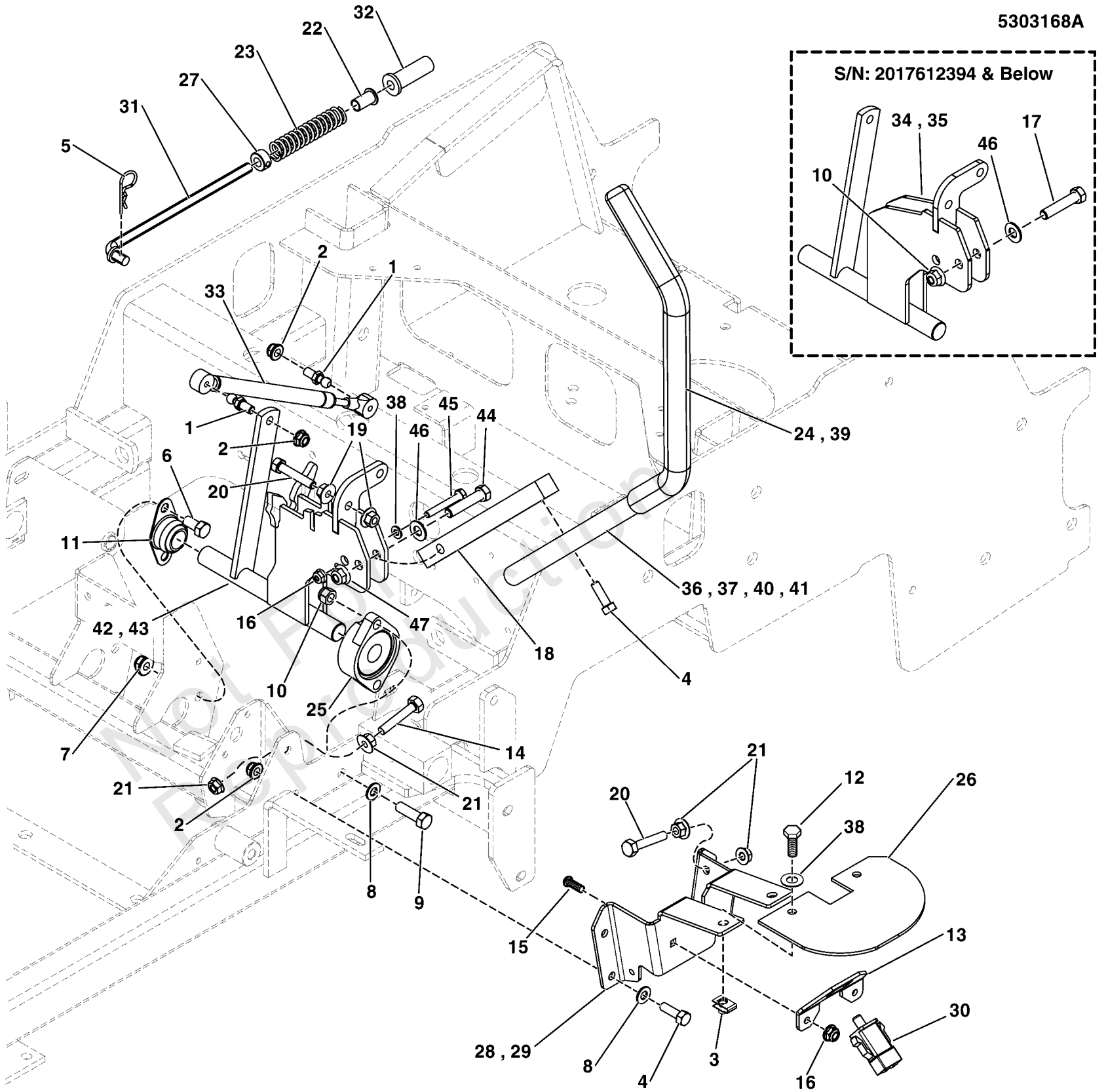
REF NO	PART NO	QTY	DESCRIPTION
1	5104495YP	2	BALL JOINT, 5/16-24 LH FEMALE W/STUD, BR
2	5103784YP	4	WAVE WASHER, 1/2"ID X .087"OD X .01 THK.
3	5102599YP	2	SPACER, .33 X .63 X 1.25, CZ
4	5102003YP	4	BEARING, .375" ID X .875" OD X .341" THK
5	5103676YP	2	SPACER, .39 X .55 X .38, CZ
6	5025356SM	4	BOLT, 3/8-16 X 3/8", 1/2" SHOULDER
7	5025100SM	4	NUT, Hex, Side Lock, 3/8-16
8	5023212SM	2	NUT, Hex, 5/16-24, LH
9	5025293SM	2	WASHER, 3/8" GR. 9 FLAT
10	5410447AYP	2	LINK, CONTROL SYSTEM ARM, IS700 - BLK
11	5104578YP	6	BALL JOINT 5/16-24 RH FEMALE STAMPED STL
12	5025015X6SM	2	BOLT, 7/16-14 X 3/4, GD 5 YZ -(S/N: 2017612394 & Below)
13	5410271AYP	2	PLATE, CONTROL SYSTEM LOCK - BLK
14	5103672YP	4	PAD, CONTROL SYSTEM
15	5410268YP	2	PLATE, CONTROL SYSTEM ARM - HT
16	5103718YP	2	PIVOT, CONTROL SYSTEM
17	5025055X12SM	2	CAPSCREW, Hex Head, Taptite Flange Lock, 5/16-18 X 1-1/2
18	5025044SM	2	NUT, 7/16-14 HEX TOP LOCK -(S/N: 2017612394 & Below)
19	-----	2	REPLACE WITH COMPONENTS IN S/N: 2017612395 & ABOVE RANGE -(S/N: 2017612394 & Below)
20	703115	6	NUT, Flange Nylock, 5/16-18
21	5103759YP	2	ROD, HYDRO LINKAGE, 7.75, CZ
22	5103760YP	2	ROD, CONTROL SYSTEM, IS700, CZ
23	5025146X12YP	2	BOLT, Carriage, 3/8-16 X 1 1/2, GR5
24	5025394SM	6	NUT, Hex Flange, Nylock, 3/8-16
25	5103704YP	2	PAD, .77 X 3.50 X .25, POLYURETHANE
26	5025440SM	4	WASHER, 1/2" GR. 9 FLAT
27	5103705YP	2	SPACER, .39 X .75 X .69, CZ
28	5025013X16SM	2	CAPSCREW, Hex Head, 3/8-16 x 2
29	5025011X10SM	10	CAPSCREW, Hex Head, 5/16-18 X 1-1/4
30	703868	2	CAPSCREW, Hex Head, 5/16-18 X 2 1/2, GR 5,
31	703331	6	NUT, 5/16-24, Hex, GR5, Zinc/Clear
32	5025013X6SM	2	CAPSCREW, Hex Head, 3/8-16 x 3/4
33	5025292SM	2	WASHER, 5/16" GD.9 FLAT
34	5103767YP	2	SPACER, .33 X .63 X .36, PM, CZ -(S/N: 2017612394 & Below)
35	5025165SM	2	WASHER, Fender, 3/8
36	5025045SM	2	NUT, Hex Lock, Nylon, 5/16-24
37	5105030YP	2	CONTROL ARM, ZT3400 -(S/N: 2017612395 & Above)
38	-----	0	TRANSAXLE CONTROL ARM (PART OF TRANSAXLE)
39	5025011X10SM	2	CAPSCREW, Hex Head, 5/16-18 X 1-1/4 -(S/N: 2017612395 & Above)
40	703302	2	WASHER, Flat, 5/16 -(S/N: 2017612395 & Above)

Motion Control Group - Handles & Dampeners S/N: 4001938725 and Below

Note: Unless noted otherwise, use the standard torque specifications

Mfg. No: 5901954

5303168A



Motion Control Group - Handles & Dampeners S/N: 4001938725 and Below

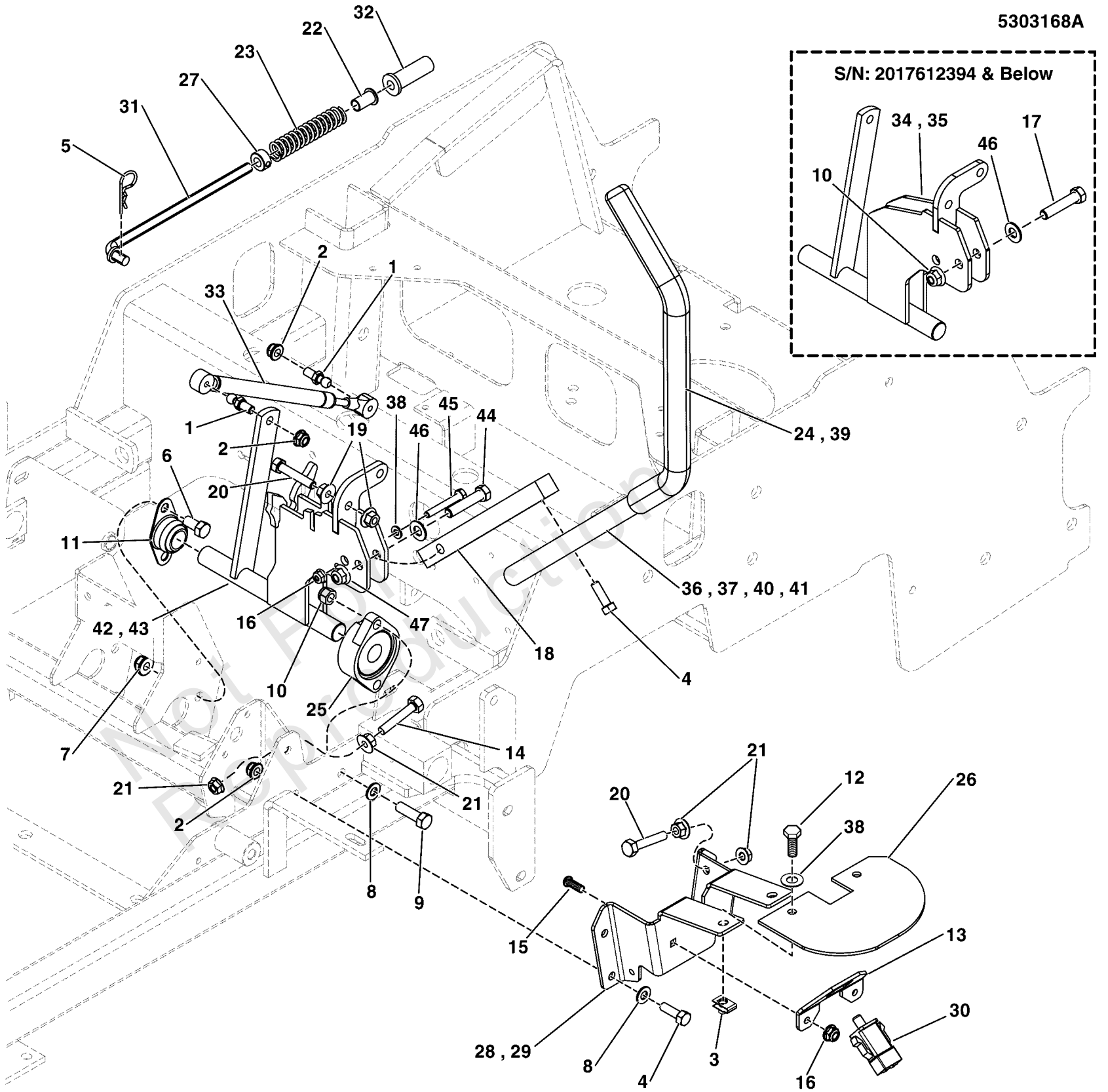
REF NO	PART NO	QTY	DESCRIPTION
1	5101307SM	4	BALL STUD, 10MM, 5/16-18 X 3/4
2	703115	14	NUT, 5/16-18 HEX NYLOCK FLANGE
3	5022665SM	4	BODY CLIP, 1/4-20 X 1/2 DEEP
4	1930591SM	4	SCREW-HEX WZ LOCK FLNG 5/16-18X0.750BLK
5	5025210YP	2	PIN, HAIR, .0915 X 1-7/8
6	5025013X6SM	6	CAPSCREW, Hex Head, 3/8-16 x 3/4
7	5025394SM	8	NUT, Hex Flange, Nylock, 3/8-16
8	703302	12	WASHER, 5/16 SAE
9	5025013X10SM	4	BOLT, 3/8-16, GD5
10	5025096SM	4	NUT, 3/8-16 HEX NYLON LOCK
11	5021098SM	2	BEARING, BRONZE FLANGE, 3/4
12	5025010X6SM	4	BOLT, 1/4-20 X 3/4" GD5
13	5409984AYP	2	BRACKET, SWITCH MOUNT - BLK -(S/N: 2017612394 & Below)
14	5025055X12SM	2	BOLT, 5/16-18 X 1-1/2 GD5 TFL
15	703101	4	BOLT, Carriage, 1/4-20 x 3/4 , GR5 -(S/N: 2017612394 & Below)
16	703463	6	NUT, Flange Nylock , 1/4-20 -(Qty: 4 - S/N: 2017612394 & Below)
17	5025013X14SM	4	BOLT, 3/8-16 X 1-3/4 GD5 -(S/N: 2017612394 & Below)
18	5047004AYP	2	MOUNT, CONTROL ARM -(S/N: 4000906410 and below)
18	5103106AYP	2	MOUNT, CONTROL ARM -(S/N: 4000906411 and above)
19	5025139SM	4	NUT, 5/16-18 HEX SERRATED FLANGE (LARGE)
20	5025055X14SM	4	BOLT- 5/16-18 X 1-3/4 GD5 TFL
21	5025127SM	8	NUT, Hex Serrated Flange, 5/16-18,
22	5023260SM	2	BUSHING, FLANGE 3/8ID X 7/8 LONG
23	5022645SM	2	SPRING, REVERSE RETURN
24	5022068SM	2	GRIP, FOAM, 3/4 ID, 16 LONG -(S/N: 2017499983 & Below)
25	5021499SM	2	BEARING, FLANGE
26	5410610AYP	2	PLATE, NUETRAL LOCK SHIELD, IS700 - BLK
27	5010546SM	2	COLLAR, 3/8 SET
28	5409982AYP	1	PLATE, NEUTRAL LOCK, LH - BLK
29	5409983AYP	1	PLATE, NEUTRAL LOCK, RH - BLK -(Not Illustrated)
30	-----	2	SEE ELECTRICAL GROUP -(S/N: 2017612394 & Below)
31	5100947SM	2	ROD, NEUTRAL RETURN
32	5104375YP	2	FLANGED BUSHING, 3/8IDX.63ODX.8125FL
33	5100940SM	2	DAMPENER, CONTROL,#(P6709/P3610)
34	5410103AYP	1	WELD, CONTROL SHAFT, RH - BLK -(S/N: 2017612394 & Below)(Not illustrated)
35	5410102AYP	1	WELD, CONTROL SHAFT, LH - BLK -(S/N: 2017612394 & Below)
36	5400637AYP	1	WELD, HANDLE MOTION CONTROL RH - BLK -(S/N: 2017499983 & Below)(Not illustrated)
37	5400636AYP	1	WELD, HANDLE MOTION CONTROL LH - BLK -(S/N: 2017499983 & Below)
38	703332	6	WASHER, Flat, 1/4 -(Qty: 4 - S/N: 2017612394 & Below)
39	5104722YP	2	GRIP, FOAM, 1" ID, 16" LONG -(S/N: 2017499984 & Above)

Motion Control Group - Handles & Dampeners S/N: 4001938725 and Below

Note: Unless noted otherwise, use the standard torque specifications

Mfg. No: 5901954

5303168A



Motion Control Group - Handles & Dampeners S/N: 4001938725 and Below

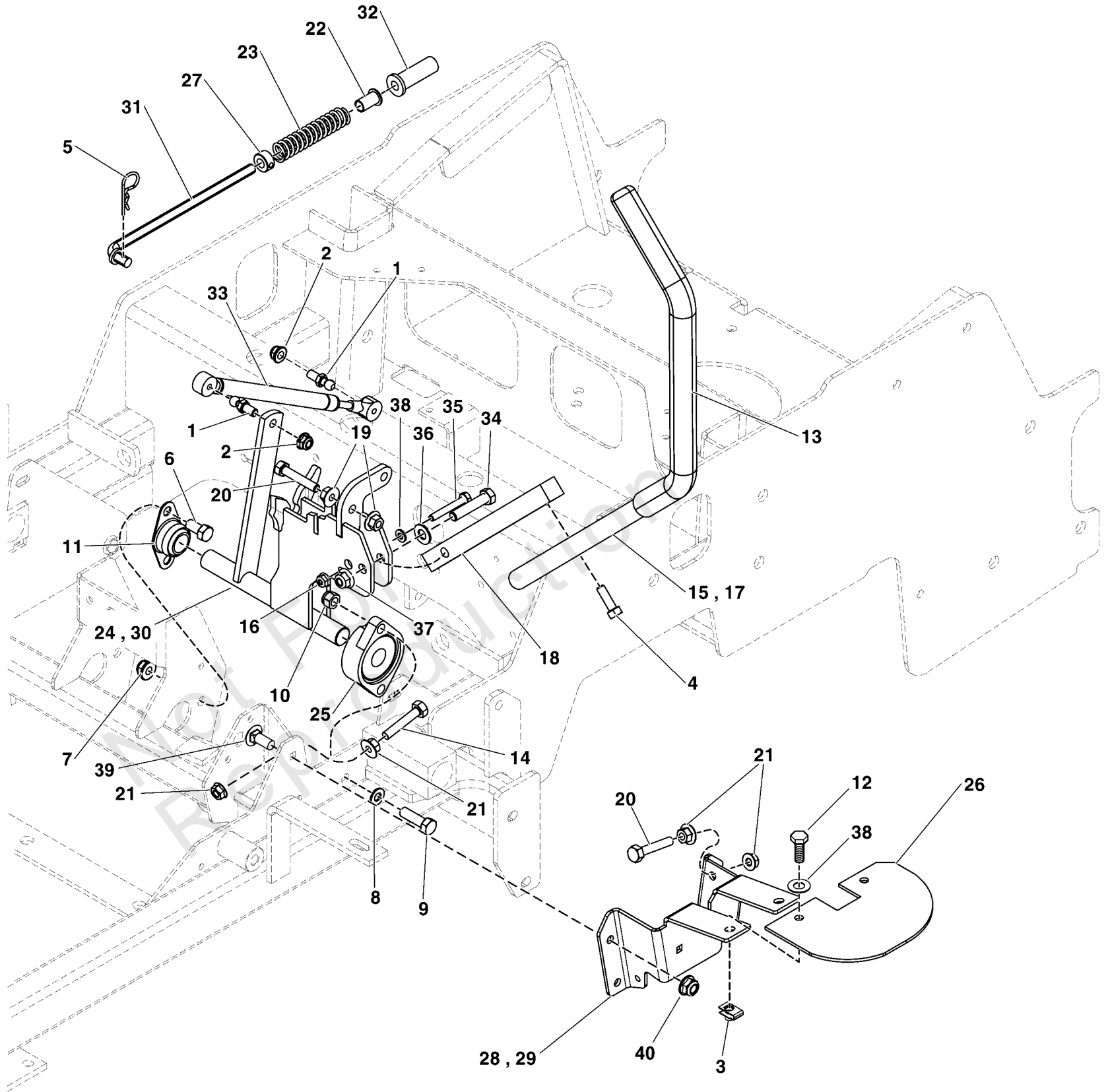
REF NO	PART NO	QTY	DESCRIPTION
40	5414431AYP	1	WELD,HANDLE MOTION CNTRL,19.0,1.0,LH,BLK -(S/N: 2017499984 & Above)
41	5414432AYP	1	WELD,HANDLE MOTION CNTRL,19.0,1.0,RH,BLK -(S/N: 2017499984 & Above)(Not illustrated)
42	5416663AYP	1	WELD, CONTROL SHAFT, LOCKOUT, LH - BLK -(S/N: 2017612395 & Above)
43	5416664AYP	1	WELD, CONTROL SHAFT, LOCKOUT, RH - BLK -(S/N: 2017612395 & Above)(Not illustrated)
44	5025013X14SM	2	BOLT, 3/8-16 X 1-3/4 GD5 CZ -(S/N: 2017612395 & Above)
45	5025010X14SM	2	BOLT, 1/4-20 X 1-3/4 GD5 CZ -(S/N: 2017612395 & Above)
46	703590	2	WASHER, .406 -(Qty: 4 - S/N: 2017612394 & Below)
47	5025396SM	2	NUT, 3/8-16 HEX NYLOCK FLANGE -(Qty: 4 - S/N: 2017612395 & Above)

Not For Reproduction

Motion Control Group - Handles & Dampeners S/N: 4001938726 and Above

Note: Unless noted otherwise, use the standard torque specifications

Mfg. No: 5901954



Motion Control Group - Handles & Dampeners S/N: 4001938726 and Above

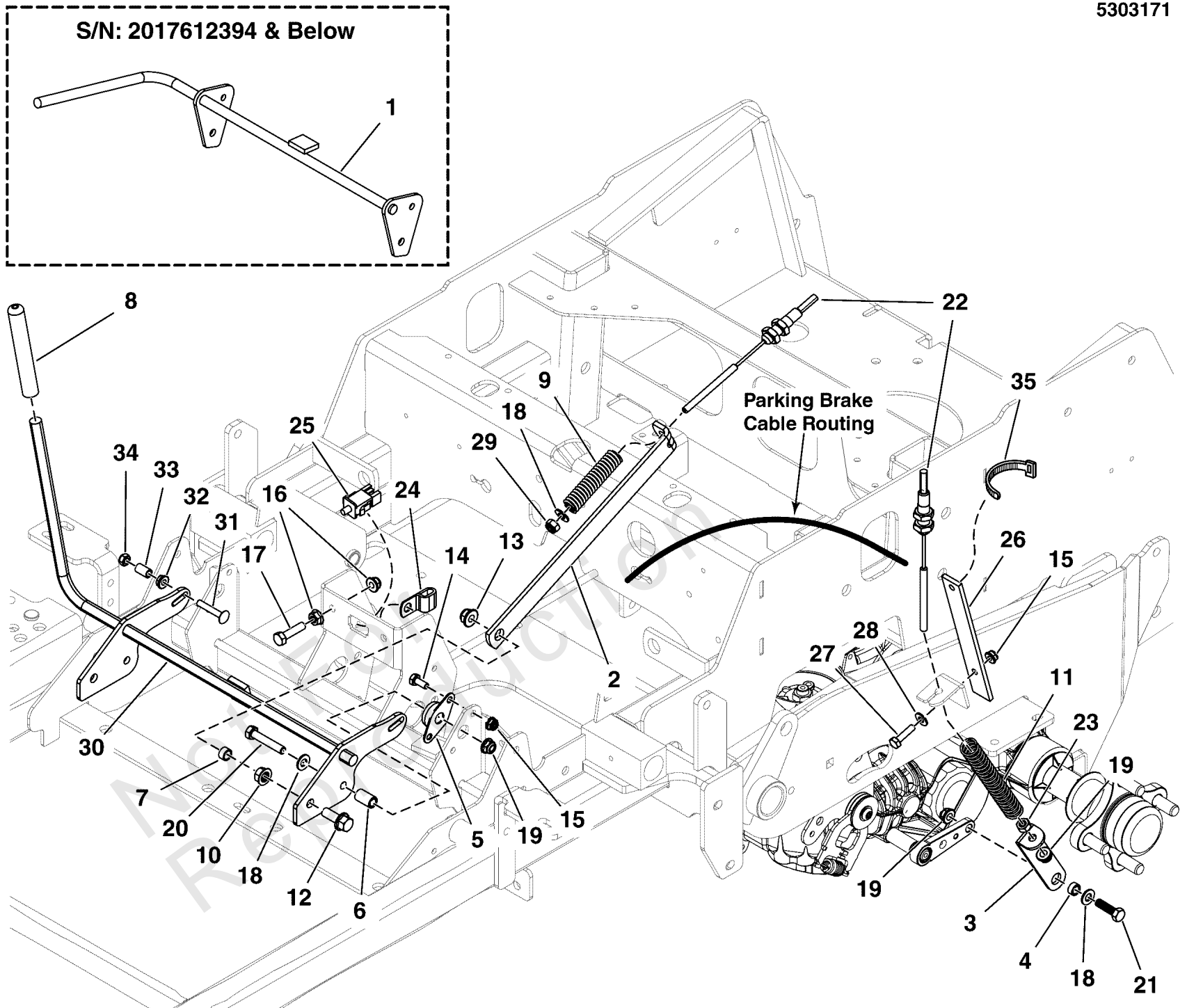
REF NO	PART NO	QTY	DESCRIPTION
1	5101307SM	4	10MM BALL STUD, 5/16-18 X 3/4 THDS
2	703115	12	NUT, Flange Nylock, 5/16-18
3	5022665SM	4	BODY CLIP, 1/4-20 X 1/2" DEEP
4	703354	4	SCREW, Flange, Whiz-Lock, 5/16-18 X 3/4
5	5025210YP	2	PIN, HAIR, .0915 X 1-7/8
6	5025013X6SM	4	CAPSCREW, Hex Head, 3/8-16 x 3/4
7	5025394SM	6	NUT, Hex Flange, Nylock, 3/8-16
8	703302	4	WASHER, Flat, 5/16
9	5025327SM	4	BOLT, 3/8-16 X 1-1/4 SHCS (SOCKET HEAD)
10	5025096SM	4	NUT, Hex, Nylon Lock, 3/8-16
11	5021098SM	2	BEARING, Flange, Bronze, 3/4"
12	5025010X6SM	4	CAPSCREW, Hex Head, 1/4-20 x 3/4 (stiffener to top of cover)
13	5104722YP	2	GRIP, FOAM, 1" ID, 16" LONG
14	5025055X10YP	2	BOLT, 5/16-18 x 1-1/4" TFL GD 5
15	84004629	1	CONTROL, Handle
16	703463	6	NUT, Flange Nylock , 1/4-20
17	84004630	1	CONTROL, Handle
18	5103106AYP	2	MOUNT, CONTROL ARM
19	5025139SM	4	NUT, 5/16-18 HEX SERRATED FLANGE (LARGE)
20	5025055X14SM	2	CAPSCREW, Hex Head, Flange Lock Taptite, 5/16-18 X 1-3/4
21	5025127SM	8	NUT, Hex Serrated Flange, 5/16-18,
22	5023260SM	2	BUSHING, FLANGE 3/8ID X 7/8 LONG
23	5022645SM	2	SPRING, REVERSE RETURN
24	5416663AYP	1	WELD, CONTROL SHAFT, LOCKOUT, LH - BLK
25	5021499SM	2	BEARING, FLANGE
26	5410610AYP	2	PLATE, NUETRAL LOCK SHIELD, IS700 - BLK
27	5010546SM	2	COLLAR, 3/8" SET
28	5409982AYP	1	PLATE, NEUTRAL LOCK, LH - BLK
29	5409983AYP	1	PLATE, NEUTRAL LOCK, RH - BLK
30	5416664AYP	1	WELD, CONTROL SHAFT, LOCKOUT, RH - BLK
31	5100947SM	2	ROD, NEUTRAL RETURN, CZ
32	5104375YP	2	FLANGED BUSHING, 3/8IDX.63ODX.8125FL
33	5100940SM	2	DAMPENER, CONTROL, #(P6709/P3610)
34	5025013X14SM	2	CAPSCREW, Hex Head, 3/8-16 X 1-3/4
35	5025010X14SM	2	CAPSCREW, Hex Head, 1/4-20 X 1-3/4
36	703590	2	WASHER, .406
37	703158	4	NUT, Hex Flange, 3/8-16
38	703332	6	WASHER, Flat, 1/4
39	5025145X6SM	4	BOLT, 5/16-18 X 3/4, CARRIAGE, GD5, CZ
40	703331	4	NUT, 5/16-24, Hex, GR5, Zinc/Clear

Parking Brake Group (5303171)

Note: Unless noted otherwise, use the standard torque specifications

Mfg. No: 5901954

5303171



Parking Brake Group (5303171)

REF NO	PART NO	QTY	DESCRIPTION
1	5410216AYP	1	WELD, BRAKE SHAFT, IS600 - BLK
2	5410328AYP	2	LINK, BRAKE LOCK, IS700 - BLK
3	5410294AYP	2	LINK, LOWER BRAKE, IS700 - BLK
4	5102463YP	2	SPACER, .33 X .50 X .25, CZ
5	5101123SM	2	BEARING, 1/2 FLANGED, PLASTIC BALL
6	5103660YP	2	SPACER, .32 X .50 X .83, CZ
7	5041930SM	2	SPACER, .38 X .50 X .27, CZ
8	5021880SM	1	GRIP, FOAM, .475 X 4.35 X .095
9	5023242SM	2	SPRING-COMP, .496ID X 3.00LG X .112WR
10	5025128SM	2	NUT, 3/8-16 HEX SERRATED FLANGE
11	5021494SM	2	SPRING, COMPRESSION, 5-1/2
12	5025390X12YP	2	BOLT, 3/8-16 X 1-1/2, FLANGE, GD5, CZ
13	5025394SM	2	NUT, Hex Flange, Nylock, 3/8-16
14	703338	4	BOLT, 1/4-20X5/8
15	703463	6	NUT, Flange Nylock , 1/4-20
16	5025127SM	2	NUT, Hex Serrated Flange, 5/16-18,
17	5025011X10SM	1	BOLT, 5/16-18 X 1-1/4 GD5 YZ
18	703302	6	WASHER, 5/16 SAE
19	703115	6	NUT, 5/16-18 HEX NYLOCK FLANGE
20	5025011X14SM	2	BOLT, 5/16-18 X 1-3/4 GD5 YZ
21	5025011X9SM	2	BOLT, 5/16-18 X 1-1/8 GD5
22	5104276YP	2	CABLE, PARKING BRAKE, 31" (787.9 MM)
23	5025032SM	2	NUT, 5/16-18 HEX
24	5025430SM	1	CLAMP, 5/16, DOUBLE, WIRE & TUBE -(For stowing the spanner wrench.)
25	7022886YP	1	SWITCH, DP NO/NC SNAP-IN
26	5410734AYP	2	BRACKET, CABLE SUPPORT - BLK
27	5025010X6SM	2	BOLT, 1/4-20 X 3/4 GD5 YZ
28	703332	2	WASHER, Flat, 1/4
29	5025045SM	2	NUT, 5/16-24 HEX NYLOCK LOCK
30	5415910AYP	1	WELD, BRAKE SHAFT, CITATION XT - BLK -(S/N: 2017612395 & Above)
31	704214	2	BOLT, 1/4-20 X 1.500, GR5, SQ, ZINC/CLEA -(S/N: 2017612395 & Above)
32	703233	2	NUT, 1/4-20 HEX SERR. FLANGE -(S/N: 2017612395 & Above)
33	5041483YP	2	SPACER, .25 X .38 X .63, CZ -(S/N: 2017612395 & Above)
34	5025095SM	2	NUT, 1/4-20 HEX NYLON LOCK -(S/N: 2017612395 & Above)
35	5021029SM	2	TIE, SELF-LOCKING, 12"

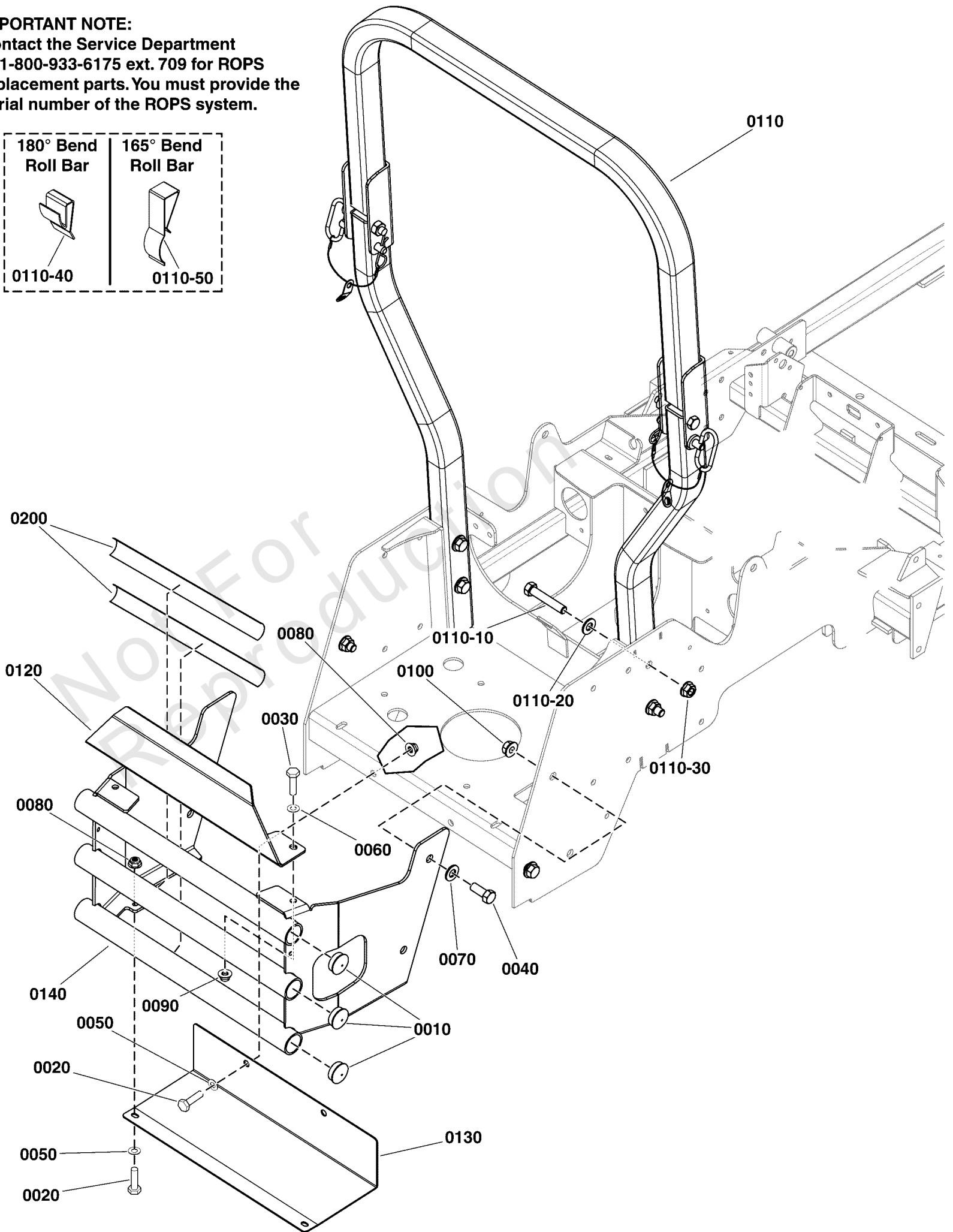
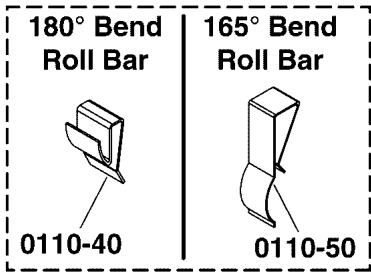
Rear Bumper and ROPS Group

Note: Unless noted otherwise, use the standard torque specifications

Mfg. No: 5901954

IMPORTANT NOTE:

Contact the Service Department at 1-800-933-6175 ext. 709 for ROPS replacement parts. You must provide the serial number of the ROPS system.



Rear Bumper and ROPS Group

REF NO	PART NO	QTY	DESCRIPTION
0010	5023484SM	6	PLUG, PANEL, 1.25 - BLACK
0020	5025011X6SM	4	CAPSCREW, Hex Head, 5/16-18 x 3/4
0030	5025013X8SM	2	CAPSCREW, Hex Head, 3/8-16 x 1
0040	5025017X10YP	4	BOLT, 1/2-13 X 1-1/4 GD5 YZ
0050	703302	4	WASHER, Flat, 5/16
0060	703590	2	WASHER, .406
0070	5025158SM	4	WASHER, 1/2
0080	703115	4	NUT, Flange Nylock, 5/16-18
0090	5025394SM	2	NUT, Hex Flange, Nylock, 3/8-16
0100	5025396SM	4	NUT, Hex Flange, 1/2-13
0110	-----	1	ROPS, IS700/IS2100/S125XT -(Refer to Note:*)
0110-10	5025017X22SM	2	BOLT, 1/2-13 X 2-3/4 GD5 YZ
0110-20	5025158SM	2	WASHER, 1/2
0110-30	5025396SM	2	NUT, Hex Flange, 1/2-13
0110-40	5103403X1YP	2	ANTI-RATTLE SPRING, FEMCO #230328972 (SV) -(180 Degree Bend Roll Bar)
0110-50	5105140X1YP	2	ANTI-RATTLE SPRING, ROPS, 165 DEGREE (SV) -(165 Degree Bend Roll Bar)
0120	5410486CYP	1	PLATE, CARB PROTECTOR - ORG
0130	5410485AYP	1	PLATE, HEAT SHIELD, IS700 - BLK
0140	5410483CYP	1	WELD, BUMPER - IS700 - ORG

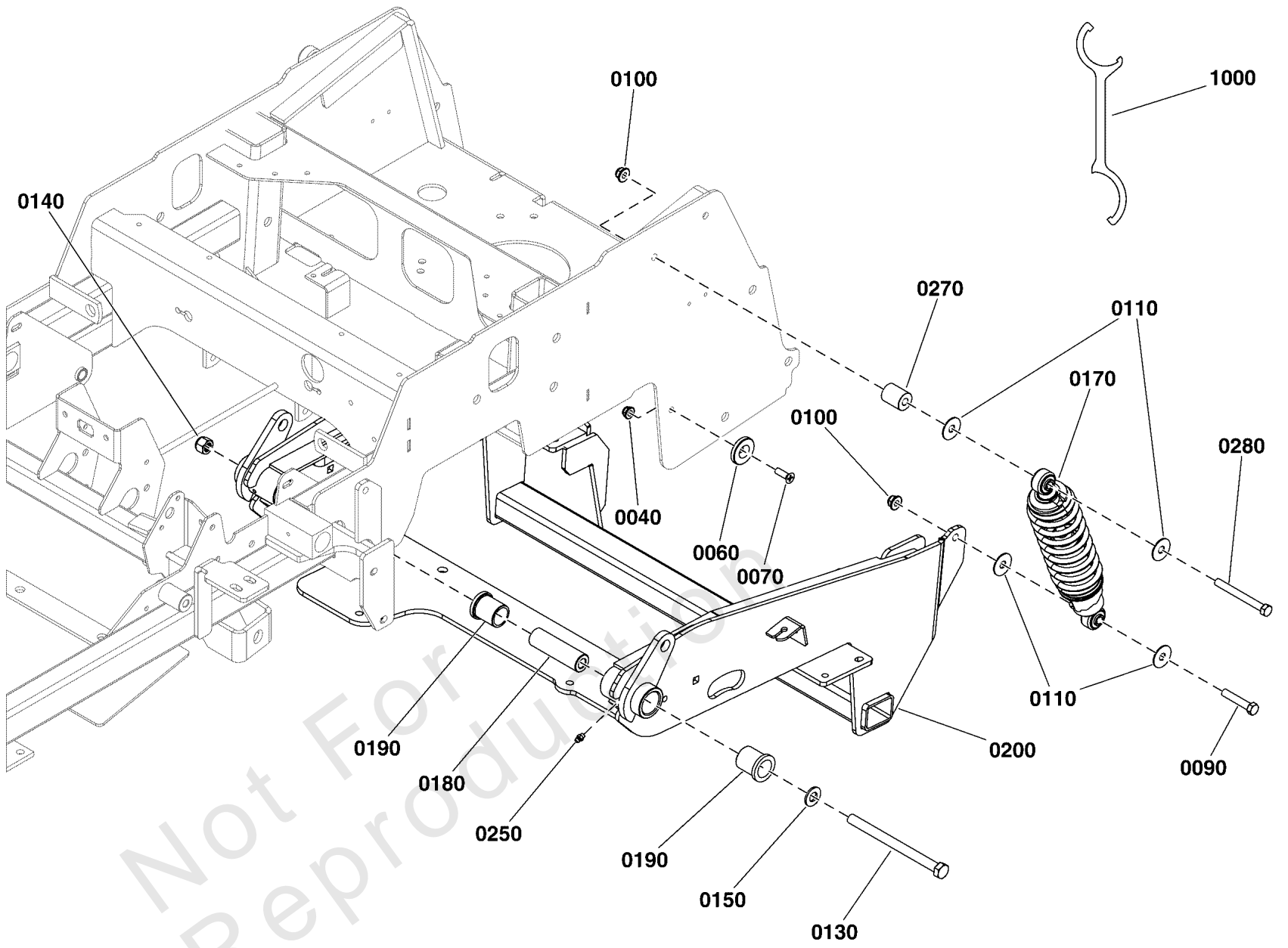
Footnotes:

Note:* Call 1-800-933-6175 ex. 707 for ROPS service.

Rear Suspension Group

Note: Unless noted otherwise, use the standard torque specifications

Mfg. No: 5901954



Rear Suspension Group

REF NO	PART NO	QTY	DESCRIPTION
0040	703115	2	NUT, Flange Nylock, 5/16-18
0060	5102701YP	2	SPACER, .34 X 1.54 X .25 - UHMW
0070	5025594YP	2	SCREW, Phillips Head, 5/16-18 X 1
0090	703589	2	CAPSCREW, Hex Head, 3/8-16 X 2, GR5
0100	5025394SM	4	NUT, Hex Flange, Nylock, 3/8-16
0110	5025165SM	8	WASHER, Fender, 3/8
0130	5025488X52YP	2	BOLT, 1/2-13 X 6-1/2 GD8, YZ
0140	7091325YP	2	NUT, 1/2-13 HEX NYLON LOCK
0150	5025158SM	2	WASHER, 1/2
0170	84001902	2	SHOCK ABSORBER
0180	5061339SM	2	SPACER, .52 X 1.00 X 3.42
0190	5021541SM	4	BUSHING, FLANGE
0200	5409706CYP	1	WELD, SUSPENSION CRADLE, IS700 - ORG
0250	5020095SM	2	GREASE FITTING, 1/4-28 STRAIGHT
0270	5103427YP	2	SPACER, .39 ID x 1 OD x 1-1/4"
0280	5025013X28SM	2	CAPSCREW, Hex Hd, 3/8-16 x 3-1/2
1000	84001903	1	WRENCH, SPANNER, CZ

Not For Repair Production

Seat Mount and Floor Group

Note: Unless noted otherwise, use the standard torque specifications

Mfg. No: 5901954

Seat Service Parts:

0060-10 - Back Cover, Seat

0060-15 - Cushion Cover, Seat

0060-20 - Set of Non-Adjust Arms

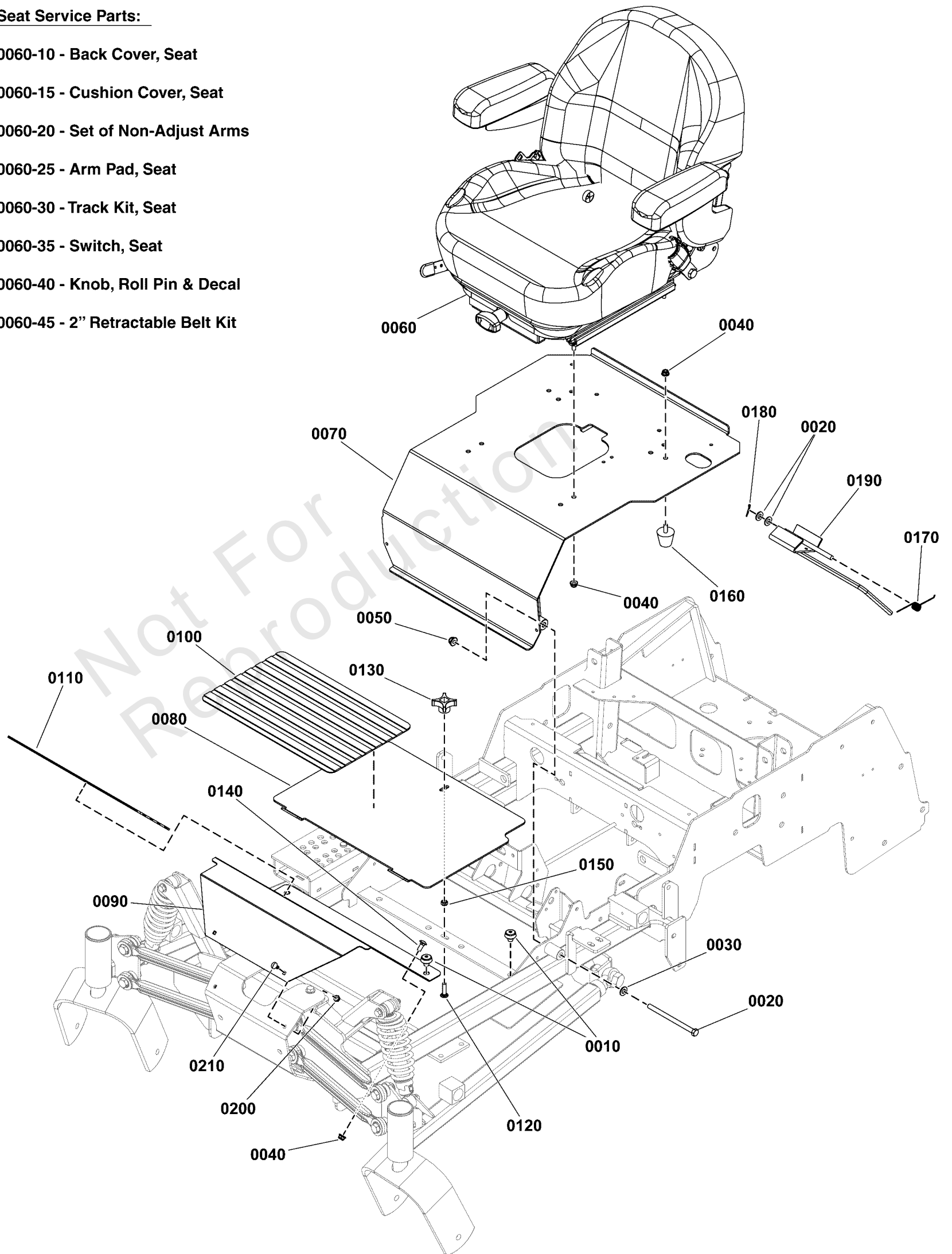
0060-25 - Arm Pad, Seat

0060-30 - Track Kit, Seat

0060-35 - Switch, Seat

0060-40 - Knob, Roll Pin & Decal

0060-45 - 2" Retractable Belt Kit



Seat Mount and Floor Group

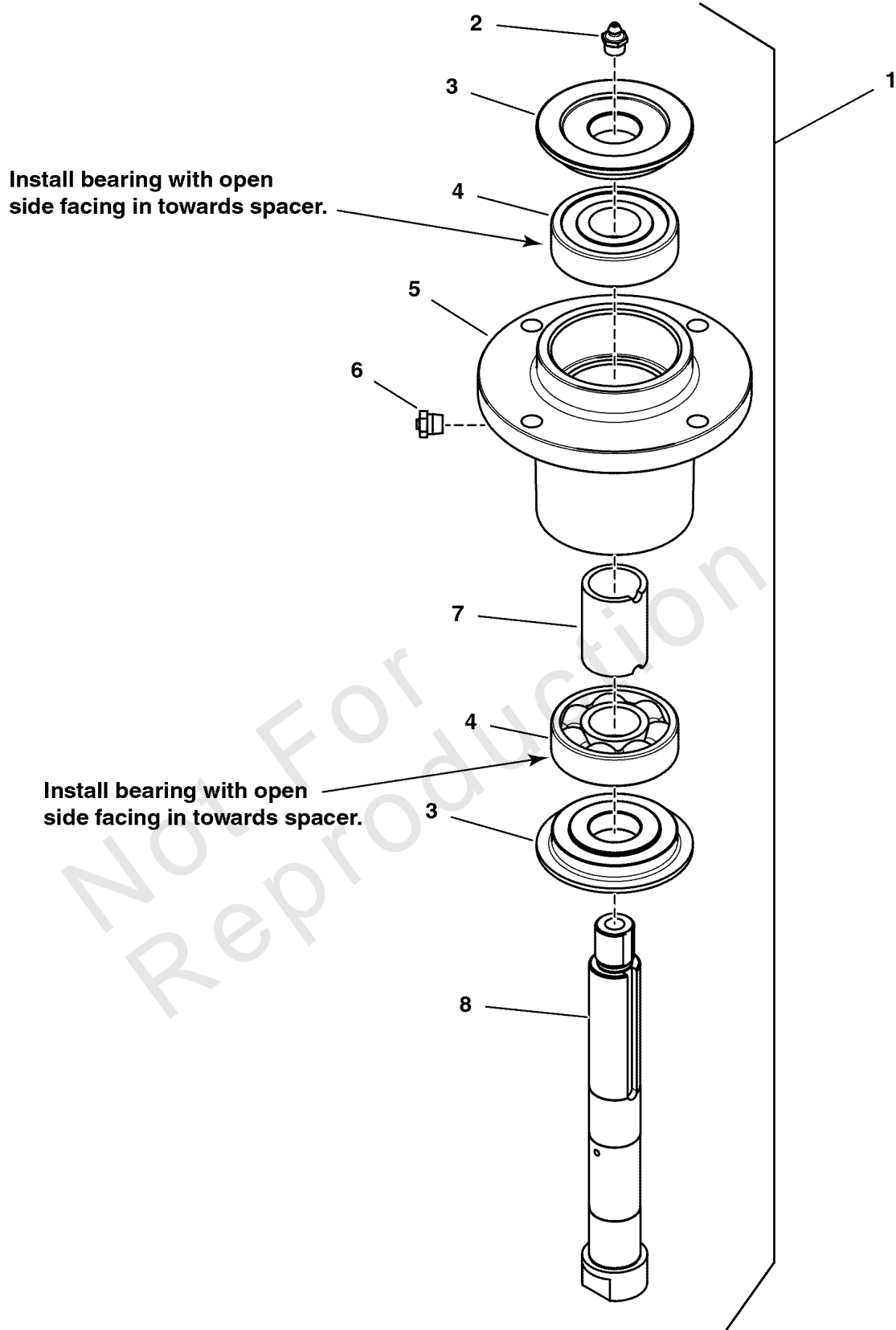
REF NO	PART NO	QTY	DESCRIPTION
0010	197546GS	6	MOUNT, Vibration
0020	5025013X44SM	2	BOLT, 3/8-16 X 5-1/2 GD5 CZ
0030	703590	4	WASHER, .406
0040	703115	10	NUT, Flange Nylock, 5/16-18
0050	5025394SM	2	NUT, Hex Flange, Nylock, 3/8-16
0060	84006403	1	SEAT
0060-10	84005183	1	COVER, Back -(SV)
0060-15	84005184	1	CUSHION, Seat -(SV)
0060-20	84005185	1	ARM -(SV)
0060-25	84003208	1	SET OF ARM PADS -(SV)
0060-30	84005186	1	KIT, Track -(SV)
0060-35	7023354YP	1	SWITCH, Seat, Push Button (NC) -(SV)
0060-40	84005187	1	KNOB, Adjuster -(SV)
0060-45	84003214	1	BELT, Seat -(SV)
0070	5601301	1	SEAT PLATE W/DECALS, CIT XT, ST LTCH
0080	5410296CYP	1	PLATE, FLOOR, REMOVABLE, IS700 - ORG
0090	84006563	1	PLATE, Floor
0100	5101374YP	1	SAFETY WALK
0110	5101333YP	1	SAFETY WALK, FLOOR PLATE, S50X, 10X17.13
0120	5025145X10YP	1	BOLT, 5/16-18 X 1-1/4, CARRIAGE, GD5, CZ
0130	1670578SM	1	KNOB, Internal Thread, 5/16 (Used Only on 24 in. Models)
0140	5025145X6SM	2	BOLT, 5/16-18 X 3/4, CARRIAGE, GD5, CZ
0150	703164	1	NUT, Hex Center Lock, 5/16-18, GRB
0160	84003201	2	SUPPORT, Rubber
0170	84003202	1	SPRING, Torsion
0180	703312	1	PIN, Cotter, 3/32 X 3/4
0190	84006564	1	LATCH, Seat
0200	703463	2	NUT, Flange Nylock , 1/4-20
0210	1960252SM	1	BOLT, Carriage, 1/4-20 x 5/8

Spindle Service Parts - 5061096SM

Note: Unless noted otherwise, use the standard torque specifications

Mfg. No: 5901954

5061096



Spindle Service Parts - 5061096SM

REF NO	PART NO	QTY	DESCRIPTION
1	5061096SM	1	ASSM, SPINDLE, LONG SHAFT -(Refer to Note: *)
2	5023329SM	1	FITTING, 1/8 NPT STR, Short
3	5049793SM	2	TRASH SHIELD
4	5023330SM	2	BEARING, .98 X 2.44 X .67
5	5102993YP	1	SPINDLE ASSEMBLY, Long Shaft -(Refer to Note: **)
6	5023296SM	1	FITTING, Relief, 1-5 PSI
7	5061099SM	1	SPACER, 1.00 x 1.25 x 1.75
8	5061100SM	1	SHAFT, SPINDLE

Not For
Reproduction

Footnotes:

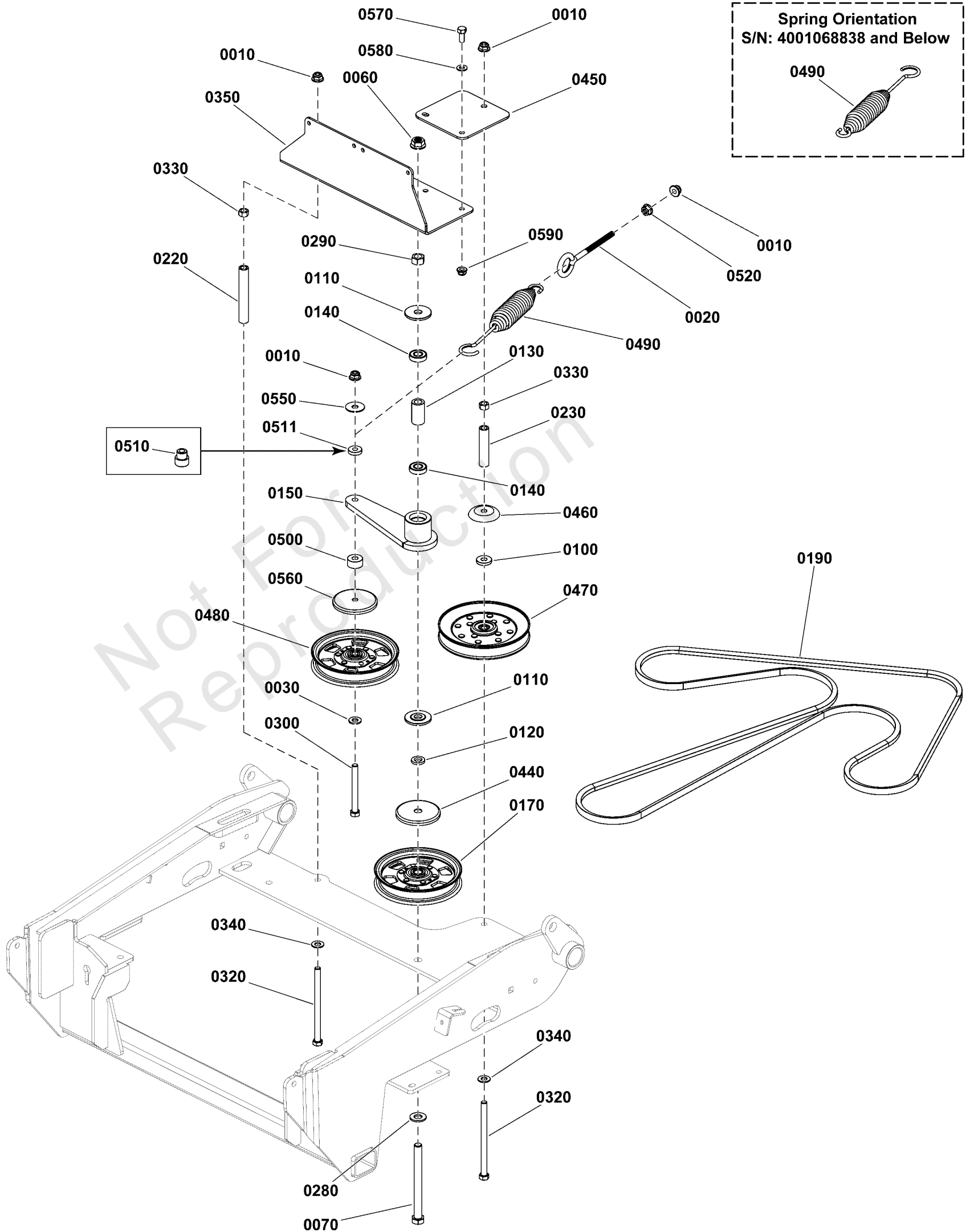
Note: *Includes Items # 4, 5, and 7.

Note: **Includes Items # 2 - 8.

Transaxle Drive Group

Note: Unless noted otherwise, use the standard torque specifications

Mfg. No: 5901954



Transaxle Drive Group

REF NO	PART NO	QTY	DESCRIPTION
0010	5025394SM	4	NUT, Hex Flange, Nylock, 3/8-16
0020	5021812SM	1	EYE BOLT, 3/8-16 X 6, 3.0 THRD, 1 EYE
0030	5025293SM	1	WASHER, 3/8" GR. 9 FLAT
0060	5025396SM	1	NUT, Hex Flange, 1/2-13
0070	5025017X44SM	1	CAPSCREW, Hex Head, 1/2-13 x 5-1/2
0100	5101965YP	1	SPACER, .390 X 1.00 X .188, CZ
0110	5103262YP	2	SPACER, Idler Arm
0120	5104239YP	1	SPACER, .52 X .88 X .14, BZ
0130	5103812YP	1	SPACER
0140	7078243YP	2	BEARING, Ball
0150	5412787AYP	1	WELD, ARM, PUMP DRIVE IDLER, 6.38 - BLK
0170	5105101YP	1	PULLEY, FLT IDLER, 5.0 X .75 X .50SH, CZ
0190	5103653YP	1	BELT, A-SEC, 114.3"EL, ARAMID, WRPD
0220	5103763YP	1	SPACER, .39 X .63 X 4.06, CZ
0230	5103765YP	1	SPACER, .39 X .63 X 2.81, CZ
0280	5025158SM	1	WASHER, 1/2
0290	5025038SM	1	NUT, 1/2-13 HEX, YZ
0300	5025013X28SM	1	CAPSCREW, Hex Hd, 3/8-16 x 3-1/2 -(S/N: 4001068838 and Below)
0300	5025013X22SM	1	CAPSCREW, Hex Head, 3/8-16 X 2-3/4 -(S/N: 4001068839 and Above)
0320	5025013X44SM	2	BOLT, 3/8-16 X 5-1/2 GD5 CZ
0330	5025034SM	2	NUT, 3/8-16 HEX
0340	703590	2	WASHER, .406
0350	5410310AYP	1	PLATE, RESERVOIR MOUNT - BLK
0440	5105145YP	1	SHIELD, BEARING, 1/2ID X 2-7/8 OD, CZ
0450	5410589AYP	1	PLATE, PULLEY SUPPORT - BLK
0460	5103787YP	1	SHIELD, BEARING PULLEY, 3/8ID, CZ
0470	5103792YP	1	PULLEY, IDLER-V, 5.83OB, .381ID, .94W
0480	5105098YP	1	PULLEY, FLT IDLER, 5.0 X .75 X .38, CZ
0490	5100632YP	1	SPRING-EXT, 1.25OD X 9.3LG X .142WR, BLK
0500	5046860SM	1	SPACER, .39 X 1.00 X .50, PM, CZ -(S/N: 4001068838 and Below)
0510	5020923YP	1	SPACER, SHOULDER -(S/N: 4001068839 and Above)
0511	5044960SM	1	SPACER, .39ID x 1 OD x 1/4
0520	5025128SM	1	NUT, Hex, Serrated Flange, 3/8-16 (S/N 616 & up)
0550	5025165SM	1	WASHER, Fender, 3/8
0560	5105146YP	1	SHIELD, BEARING, 3/8ID X 2-7/8OD, CZ
0570	5025011X6SM	2	CAPSCREW, Hex Head, 5/16-18 x 3/4
0580	703302	2	WASHER, Flat, 5/16
0590	703115	2	NUT, Flange Nylock, 5/16-18

Footnotes:

(coil-to-coil spring measurement: 5")

Transaxle SERVICE Parts - Hydro-Gear ZT3400 (84002464_84002465)

Note: Unless noted otherwise, use the standard torque specifications

Mfg. No: 5901954

Service Parts Schematic for Hydro-Gear® Transaxles: ZS-GKEF-8T7B-11RX (5106647) ZS-KKEF-8T7C-11RX (5106646)

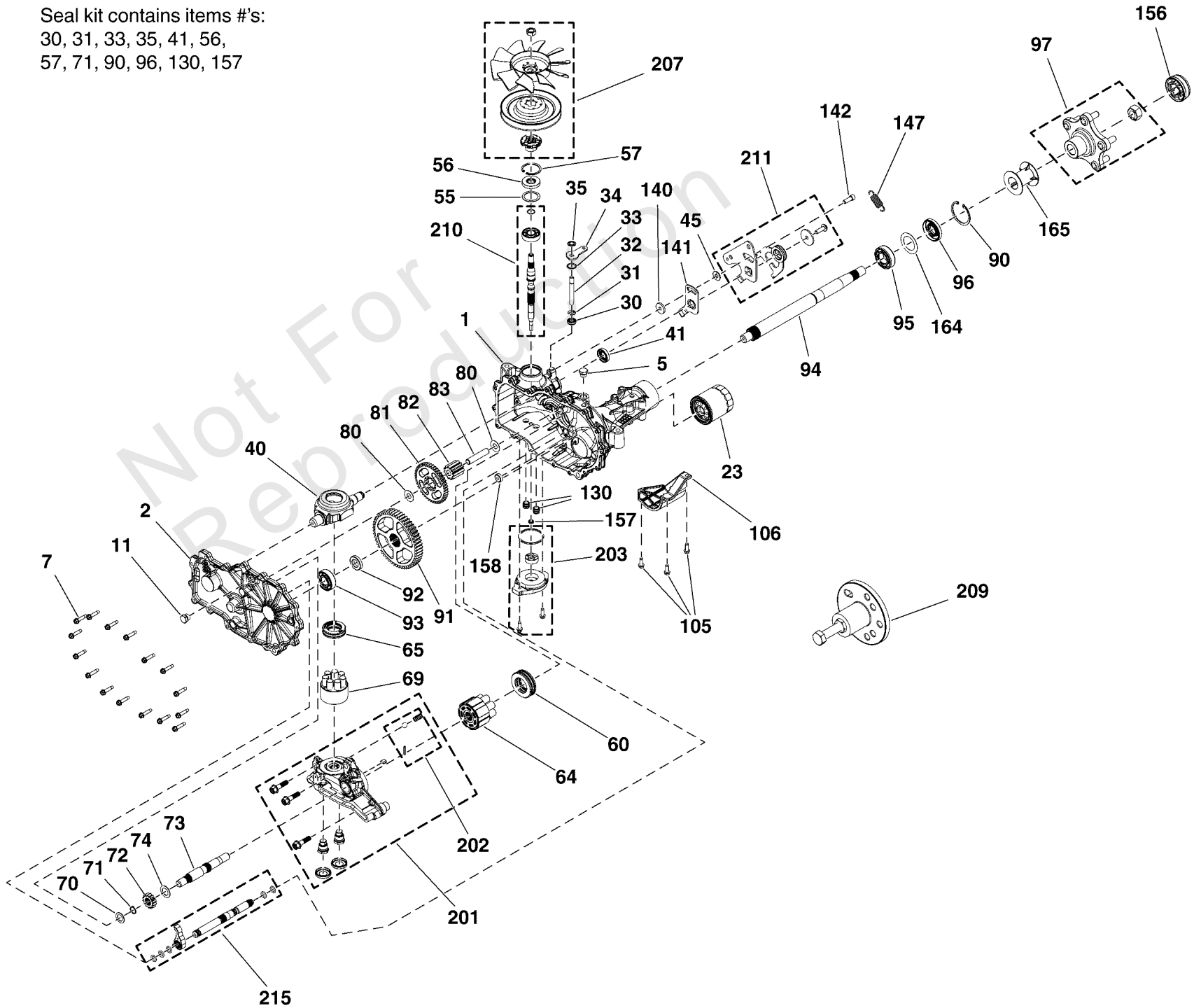
For components not listed see your authorized
Hydro-Gear® service provider.

Items Not Shown

- 13 - Sealant
- 14 - Oil, 20W50, 70.3 OZ
- 200 - Seal Kit

Seal kit contains items #'s:

- 30, 31, 33, 35, 41, 56,
- 57, 71, 90, 96, 130, 157



Transaxle SERVICE Parts - Hydro-Gear ZT3400 (84002464_84002465)

REF NO	PART NO	QTY	DESCRIPTION
1	----	1	KIT, MAIN HOUSING, RH, CHARGE, CONTROL
2	----	1	KIT, SIDE COVER RH
5	----	1	PLUG EXTERNAL HEX VENT 9/16-18
7	----	16	SCREW, HEX WASHER
11	----	1	PLUG EXTERNAL HEX VENT 9/16-18
23	5101026X1SM	1	FILTER, OIL,
30	84003137	1	SEAL, Lip
31	----	1	BYPASS RETAINING RING 1
32	----	1	ROD, BYPASS .375 X 2.88
33	----	1	BYPASS RETAINING RING 2
34	----	1	ARM, BYPASS
35	----	1	RING, RETAINING .375 EXTERNAL
40	----	1	SWASHPLATE, TRUNNION
41	5101026X2SM	1	SEAL, LIP, 18 X 32 X 7
45	----	1	WASHER, .34X.88X.06
55	1730272SM	1	SPACER
56	5022905X16SM	1	SEAL, Lip, .67 x 1.58 x .276
57	5101026X4SM	1	RING, RET 2.06 INT,
60	----	1	BEARING, THRUST 35 x 62 x 18
64	----	1	KIT, 16cc CYLINDER BLOCK ASSEMBLY STEAM TREAT
65	----	1	BEARING, THRUST PLASTIC CAGE
69	----	1	KIT, CYLINDER BLOCK (12cc)
70	----	1	WASHER, .63 X 1.00 X .05 FLAT
71	1706130SM	1	SNAP RING
72	----	1	GEAR, 14T (STEEL)
73	----	1	SHAFT, MOTOR
74	----	1	WASHER, .71 X 1.16 X .04 FLAT
80	----	2	WASHER, .51 X 1.00 X .03 FLAT
81	----	1	GEAR, 45T
82	----	1	GEAR, 11T (STEEL)
83	----	1	PIN, JACKSHAFT
90	5101026x17YP	1	RING, RETAINING 2.25 INTERNAL (50859)
91	----	1	GEAR, 54T
92	----	1	SPACER, .750 X 1.320 X .257
93	84005876	1	KIT, Bearing
94	----	1	SHAFT, AXLE
95	5101026X5SM	1	BEARING, BALL, 1.0 X 52 X 15 OPEN 6205M
96	5103589X1YP	1	KIT, SEAL, LIP -
97	84003138	1	HUB
105	----	3	SCREW, HEX WASHER 1/4-20 X .75
106	----	1	GUARD, FILTER, RH
130	----	2	TUBE, CHARGE TRIPLE O-RING
140	----	1	SPACER, .320X1.005X.179
141	----	1	ARM, NEUTRAL RIGHT
142	----	1	SHCS, 5/16-24 X .875 (PATCH)
147	1735483SM	1	SPRING, Extension
156	5103589X7YP	1	AXLE CAP,
157	----	1	KIT, GEROTOR SEAL
158	----	1	MAGNET
164	----	1	WASHER, 1.355 x 2.035 x .021 FLAT
165	5103589X9YP	1	DEBRIS GUARD HG #53496

Transaxle SERVICE Parts - Hydro-Gear ZT3400 (84002464_84002465)

Note: Unless noted otherwise, use the standard torque specifications

Mfg. No: 5901954

Service Parts Schematic for Hydro-Gear® Transaxles: ZS-GKEF-8T7B-11RX (5106647) ZS-KKEF-8T7C-11RX (5106646)

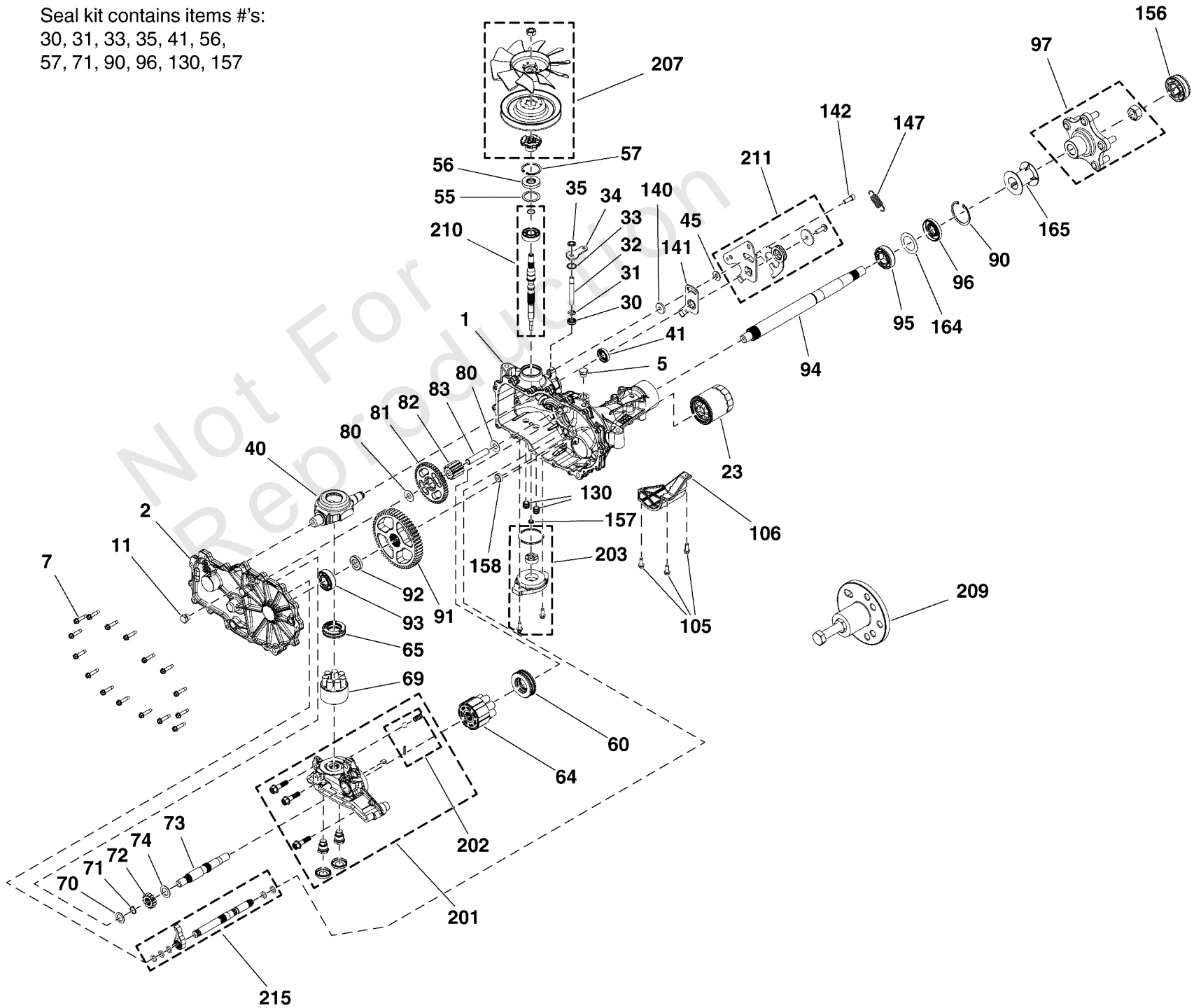
For components not listed see your authorized Hydro-Gear® service provider.

Items Not Shown

- 13 - Sealant
- 14 - Oil, 20W50, 70.3 OZ
- 200 - Seal Kit

Seal kit contains items #'s:

- 30, 31, 33, 35, 41, 56,
- 57, 71, 90, 96, 130, 157



Transaxle SERVICE Parts - Hydro-Gear ZT3400 (84002464_84002465)

REF NO	PART NO	QTY	DESCRIPTION
200	5103589X2YP	1	KIT, SEAL -
201	-----	1	KIT, CENTER SECTION, RH CHARGE
202	-----	1	KIT, CHARGE RELIEF
203	5101026X12YP	1	KIT, CHARGE PUMP,
207	5103589X3YP	1	KIT, FAN & PULLEY -
209	-----	1	KIT, HUB PULLER
210	5103589X4YP	1	KIT, INPUT SHAFT -
211	1735491SM	1	ARM, Control Kit R.H.
215	84003139	1	KIT, Seal -(Brake Shaft)

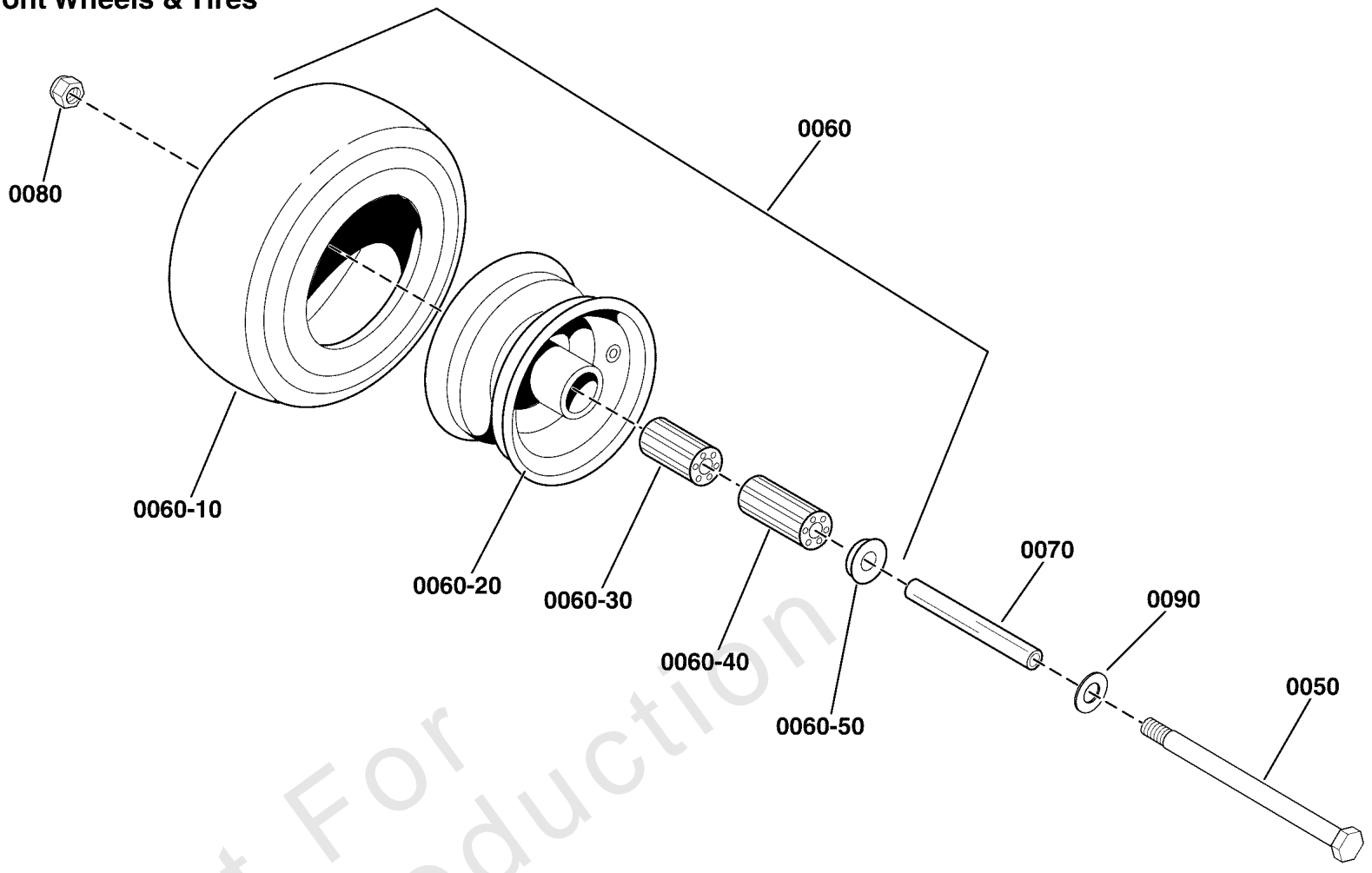
Not For Reproduction

Wheel and Tire Group S/N: 4001673740 and below

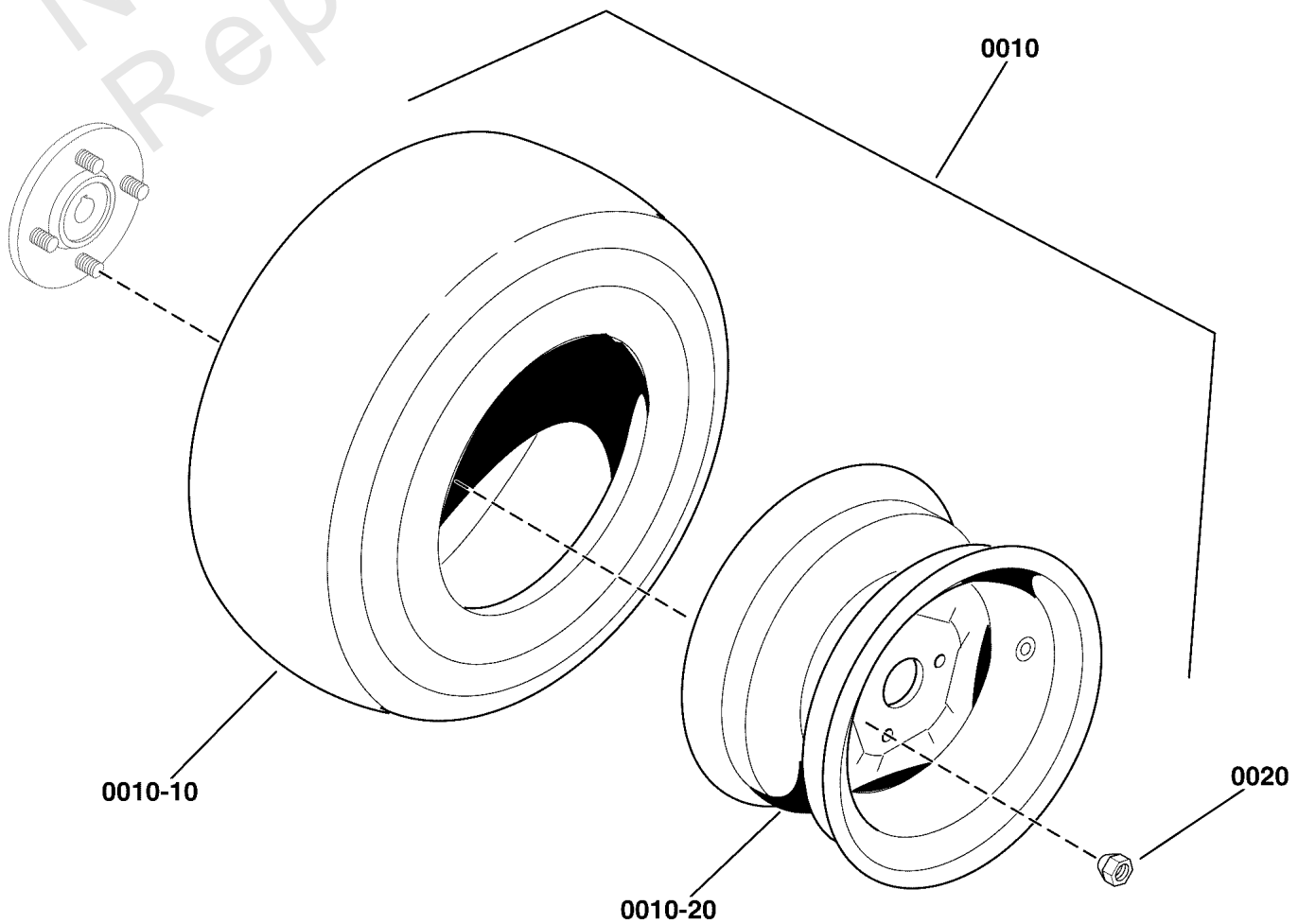
Note: Unless noted otherwise, use the standard torque specifications

Mfg. No: 5901954

Front Wheels & Tires



Rear Wheels & Tires



Wheel and Tire Group S/N: 4001673740 and below

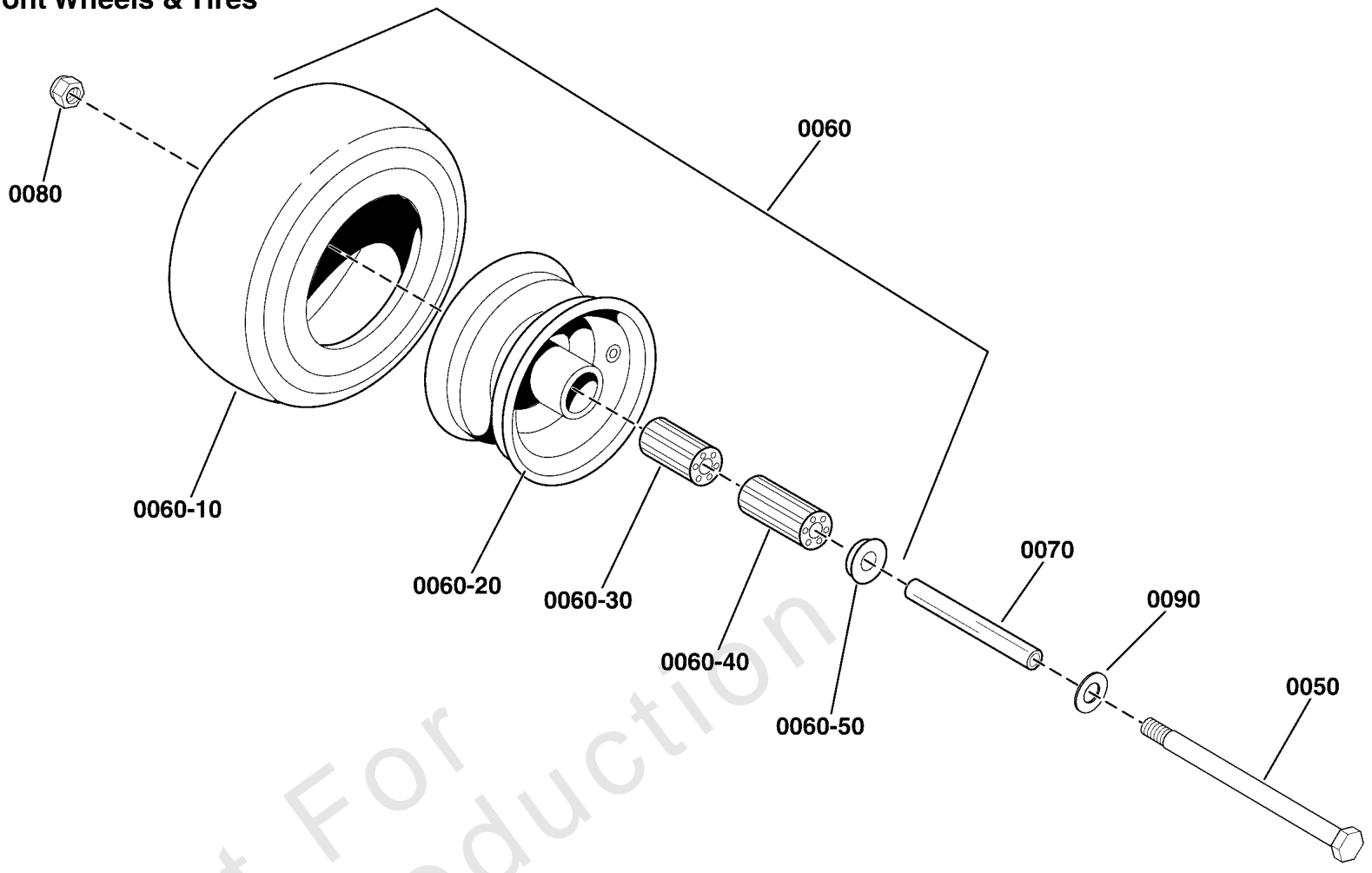
REF NO	PART NO	QTY	DESCRIPTION
0010	84002027	2	TIRE WHEEL ASM, 23X10.5-12 -(S/N: 4000771923 and below)
0010	84003896	2	TIRE ASSEMBLY -(S/N: 4000771924 and above)
0010-10	5103920X2YP	2	TIRE, 23 X 10.5-12NHS, TURF SMART (SV) -(One per tire)(S/N: 4000771923 and below)
0010-10	84003895	2	TIRE -(One per tire)(S/N: 4000771924 and above)
0010-20	84002519	2	WHEEL, 12 X 8.5, 5/4.5 OFFSET -(One per tire)
0020	5020601SM	10	NUT, Lug, 1/2-20
0050	5025017X72YP	2	BOLT, 1/2-13 X 9 GD5 YZ
0060	84002028	2	TIRE ASM, 13X6.5-6, ROLLER BEARING
0060-10	84002535	2	TIRE, 13X650-6-4 PLY SMOOTH -(One per tire)
0060-20	84002536	2	WHEEL, 6" DIA X 4.5" BEAD WIDTH, CASTER -(One per tire)
0060-30	84002537	2	BEARING, OPEN GAGE ROLLER, 3/4" ID X 2.75" -(One per tire)
0060-40	5021182SM	2	BEARING, Roller (1 per tire) -(One per tire)
0060-50	5021043SM	2	RETAINER, Bearing
0070	84002029	2	CASTER AXLE SHAFT, .51"ID X .75"OD X7.16
0080	5025396SM	2	NUT, Hex Flange, 1/2-13
0090	5025158SM	2	WASHER, 1/2

Wheel and Tire Group S/N: 4001673741 and above

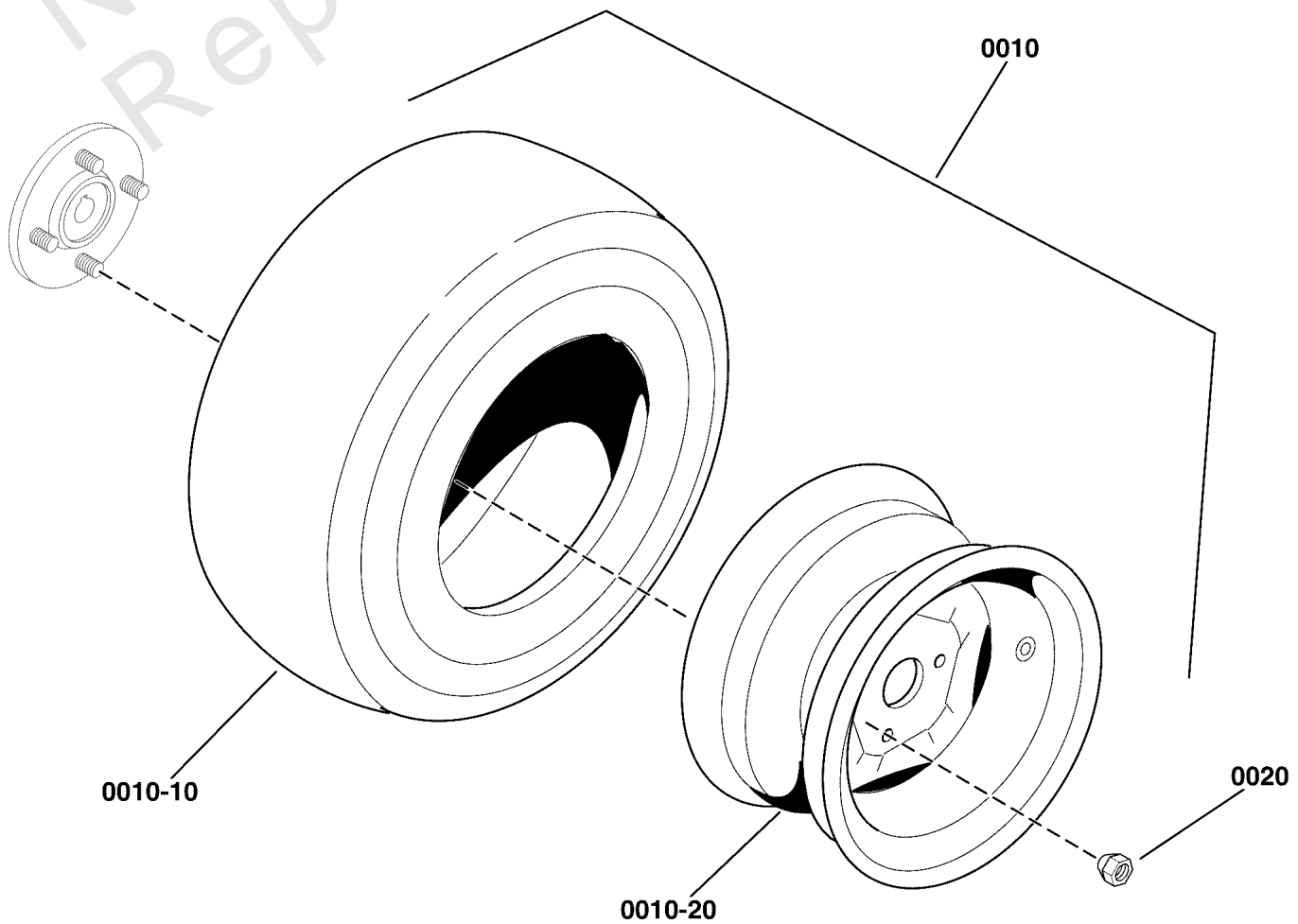
Note: Unless noted otherwise, use the standard torque specifications

Mfg. No: 5901954

Front Wheels & Tires



Rear Wheels & Tires



Wheel and Tire Group S/N: 4001673741 and above

REF NO	PART NO	QTY	DESCRIPTION
0010	84003896	2	TIRE ASSEMBLY
0010-10	84003895	2	TIRE -(One per tire)
0010-20	84002519	2	WHEEL, 12 X 8.5, 5/4.5 OFFSET -(One per tire)
0020	5020601SM	10	NUT, Lug, 1/2-20
0050	5025017X72YP	2	BOLT, 1/2-13 X 9 GD5 YZ
0060	84006934	2	WHEEL ASSEMBLY, Front, Grey
0060-10	84002535	2	TIRE, 13X650-6-4 PLY SMOOTH -(One per tire)
0060-20	-----	2	Reference Only -(One per tire)
0060-30	84002537	2	BEARING, OPEN GAGE ROLLER, 3/4" ID X 2.75" -(One per tire)
0060-40	5021182SM	2	BEARING, Roller (1 per tire) -(One per tire)
0060-50	5021043SM	2	RETAINER, Bearing
0070	84002029	2	CASTER AXLE SHAFT, .51"ID X .75"OD X7.16
0080	5025396SM	2	NUT, Hex Flange, 1/2-13
0090	5025158SM	2	WASHER, 1/2

Not For Reproduction

Hardware Identification & Torque Specifications

Torque Specification Chart								
FOR STANDARD METRIC MACHINE HARDWARE (Tolerance ± 20%)								
Property Class	5.6		8.8		10.9		12.9	
	Class 5.6		Class 8.8		Class 10.9		Class 12.9	
Size Of Hardware	in/lbs	Nm.	in/lbs	Nm.	in/lbs	Nm.	in/lbs	Nm.
	ft/lbs		ft/lbs		ft/lbs		ft/lbs	
M3	5.88	.56	13.44	1.28	19.2	1.80	22.92	2.15
M4	13.44	1.28	30.72	2.90	43.44	4.10	52.56	4.95
M5	26.4	2.50	60.96	5.75	5.97	8.10	7.15	9.7
M6	44.64	4.3	7.3	9.9	10.3	14	12.1	16.5
M7	5.2	7.1	12.1	16.5	16.9	23	19.9	27
M8	7.7	10.5	17.7	24	25	34	29	40
M10	15	21	35	48	50	67	59	81
M12	26	36	61	83	86.2	117	103	140
M14	42	58	101	132	136	185	162	220
M16	64	88	147	200	210	285	250	340
M18	89	121	202	275	287	390	346	470
M20	126	171	290	390	405	550	486	660
M22	169	230	390	530	559	745	656	890
M24	217	295	497	375	708	960	840	1140
M27	320	435	733	995	1032	1400	1239	1680
M30	435	590	995	1350	1401	1900	1681	2280
M33	590	800	1349	1830	1902	2580	2278	3090
M36	759	1030	1740	2360	2441	3310	2935	3980
M39	988	1340	2249	3050	3163	4290	3798	5150

Torque Specification Chart						
FOR STANDARD MACHINE HARDWARE (Tolerance ± 20%)						
Hardware Grade	No Marks		SAE Grade 5		SAE Grade 8	
	SAE Grade 2		SAE Grade 5		SAE Grade 8	
Size Of Hardware	in/lbs	Nm.	in/lbs	Nm.	in/lbs	Nm.
	ft/lbs		ft/lbs		ft/lbs	
8-32	19	2.1	30	3.4	41	4.6
8-36	20	2.3	31	3.5	43	4.9
10-24	27	3.1	43	4.9	60	6.8
10-32	31	3.5	49	5.5	68	7.7
1/4-20	66	7.6	8	10.9	12	16.3
1/4-28	76	8.6	10	13.6	14	19.0
5/16-18	11	15.0	17	23.1	25	34.0
5/16-24	12	16.3	19	25.8	29	34.0
3/8-16	20	27.2	30	40.8	45	61.2
3/8-24	23	31.3	35	47.6	50	68.0
7/16-14	30	40.8	50	68.0	70	95.2
7/16-20	35	47.6	55	74.8	80	108.8
1/2-13	50	68.0	75	102.0	110	149.6
1/2-20	55	74.8	90	122.4	120	163.2
9/16-12	65	88.4	110	149.6	150	204.0
9/16-18	75	102.0	120	163.2	170	231.2
5/8-11	90	122.4	150	204.0	220	299.2
5/8-18	100	136	180	244.8	240	326.4
3/4-10	160	217.6	260	353.6	386	525.0
3/4-16	180	244.8	300	408.0	420	571.2
7/8-9	140	190.4	400	544.0	600	816.0
7/8-14	155	210.8	440	598.4	660	897.6
1-8	220	299.2	580	788.8	900	1,244.0
1-12	240	326.4	640	870.4	1,000	1,360.0

The guides and ruler furnished below are designed to help you select the appropriate hardware.



Nut, M8

Thread Diameter (mm)

Inside Diameter (in) Threads per inch

Nut, 1/2-16



Screw, M8- 1.25 x 25

Thread Diameter (mm) Distance between threads (mm) Body Length (mm)

Body Diameter Threads per inch Body Length (in)

Screw, 1/2- 16 x 2



Standard Hardware Sizing

When a washer or nut is identified as 1/2" (M8), this is the *Nominal size*, meaning the *inside diameter* is 1/2 inch (8mm metric thread diameter); if a second number is present it represents the *threads per inch* (distance between threads).

When bolt or capscrew is identified as 1/2 - 16 x 2" (M8 - 1.25 x 50), this means the *Nominal size*, or body diameter is 1/2 inch (8mm metric thread diameter), the second number, 16, represents the *threads per inch*, (*distance between threads*). The final number is the body length of the bolt or screw, 2 inches (50mm).

NOTES

- These torque values are to be used for all hardware excluding: locknuts, self-tapping screws, thread forming screws, sheet metal screws and socket head setscrews.
- Recommended seating torque values for locknuts:
 - for prevailing torque locknuts - use 65% of grade 5 torques.
 - for flange whizlock nuts and screws - use 135% of grade 5 torques.
- Unless otherwise noted on assembly drawings, all torque values must meet this specification.

Common Hardware Types

Hex Head Capscrew



Washer



Carriage Bolt



Hex Nut

Wrench & Fastener Size Guide

1/4" Bolt or Nut Wrench—7/16"	5/16" Bolt or Nut Wrench—1/2"	3/8" Bolt or Nut Wrench—9/16"	7/16" Bolt or Nut Wrench (Bolt)—5/8" Wrench (Nut)—11/16"	1/2" Bolt or Nut Wrench—3/4"
M6 Bolt or Nut Wrench—10mm	M8 Bolt or Nut Wrench—13mm	M10 Bolt or Nut Wrench—17mm	M12 Bolt or Nut Wrench—19mm	M14 Bolt or Nut Wrench—22mm

