



Art's-Way Manufacturing Co., Inc.

Model 1222AHS
High Speed Defoliator

Illustrated Parts List
567555

Issued April 2020



This symbol means ATTENTION! BECOME ALERT! YOUR SAFETY IS INVOLVED. The message that follows the symbol contains important information about your safety. Carefully read the message. Make sure you fully understand the causes of possible injury or death.

IF THIS MACHINE IS USED BY AN EMPLOYEE, IS LOANED, OR IS RENTED, MAKE SURE THAT THE OPERATOR UNDERSTANDS THE TWO INSTRUCTIONS BELOW.

BEFORE THE OPERATOR STARTS THE ENGINE:

GIVE INSTRUCTIONS TO THE OPERATOR ON SAFE AND CORRECT USE OF THE MACHINE.

MAKE SURE THE OPERATOR READS AND UNDERSTANDS THE OPERATOR'S MANUAL FOR THIS MACHINE.

 **WARNING**

IMPROPER OPERATION OF THIS MACHINE CAN CAUSE INJURY OR DEATH.

BEFORE STARTING THE ENGINE, DO THE FOLLOWING:

1. READ THE OPERATOR'S MANUAL.
2. READ ALL SAFETY DECALS ON THE MACHINE.
3. CLEAR THE AREA OF OTHER PERSONS.
4. LEARN AND PRACTICE SAFE USE OF MACHINE CONTROLS IN A SAFE AND CLEAR AREA BEFORE YOU OPERATE THIS MACHINE ON A JOB SITE.

It is your responsibility to observe pertinent laws and regulations and to follow manufacturer's instructions on machine operation and maintenance.

See your Authorized Art's-Way Manufacturing Co., Inc. dealer or Art's-Way Manufacturing Co., Inc. for additional operator's manuals, illustrated parts catalogs, and service manuals.

TO THE OWNER

Congratulations on the purchase of your new Art's-Way High Speed Defoliator. You have selected a top quality machine that is designed and built with pride to ensure you have many years of efficient and reliable service.

Many people have worked on the design, production, and delivery of this High Speed Defoliator. The information in this manual is based on the knowledge, study, and experience through years of specializing in the manufacturing of farm machinery. This manual is designed to provide you with important information regarding safety, maintenance, and machine operation so you can and will get the best possible performance from your High Speed Defoliator.

Even if you are an experienced operator of this or similar equipment, we ask that you read this manual before operating this High Speed Defoliator. The way you operate, adjust, and maintain this unit will have much to do with its successful performance. Any further questions you may have about this product of Art's-Way equipment should be directed to your local Art's-Way dealer or to Art's-Way Manufacturing Co., Inc., Armstrong, Iowa, 50514, (712) 864-3131.

SPECIFICATIONS AND DESIGN ARE SUBJECT TO CHANGE WITHOUT NOTICE

Art's-Way Manufacturing Co., Inc. is continually making product improvements. In doing so, we reserve the right to make changes and/or add improvements to our products without obligation for the equipment previously sold.

Modifications to this High Speed Defoliator may affect the performance, function, and safety of its operation. Therefore, no modifications are to be made without the written permission of Art's-Way Manufacturing Co., Inc. Any modification made without the written permission of Art's-Way Manufacturing Co., Inc. shall void the warranty of this product.

In the interest of continued safe operation of this High Speed Defoliator, pay particular attention to the safety alert symbol(s) throughout this manual.

Art's-Way Manufacturing Co., Inc. STATEMENT OF PRODUCT LIABILITY

Art's-Way Manufacturing Co., Inc. recognizes its responsibility to provide customers with a safe and efficient product. Art's-Way Manufacturing Co., Inc., attempts to design and manufacture its products in accordance with all accepted engineering practices effective at the date of design. This statement should not be interpreted to mean that our products will protect against the user's own carelessness or failure to follow common safety practices nor will Art's-Way Manufacturing Co., Inc., be liable for any such act. In addition, Art's-Way Manufacturing Co., Inc., assumes no liability for any altered product or any modified product by users or anyone other than an authorized dealer.

IMPORTANT WARRANTY INFORMATION

The warranty for this High Speed Defoliator appears on page 6 of this manual. In order to establish proper warranty registration, the Warranty Registration must be completed and returned to the factory. Failure to comply with this requirement will result in invalidating the warranty!

LIMITATIONS OF THIS MANUAL

This manual contains operating instructions for your 1222AHS High Speed Defoliator only. Any mention of other machinery in this manual other than the 1222AHS High Speed Defoliator is for reference only. This manual does not replace nor is it to be used for any machinery that may be attached to or used in conjunction with the 1222AHS High Speed Defoliator.

PARTS & SERVICE

As the purchaser of your new defoliator, it is very important to consider the following factors:

A. Original Quality

B. Availability of Service Parts

C. Availability of Adequate Service Facilities

Art's-Way Manufacturing Co., Inc. has an excellent dealership network ready to answer any questions you may have about your defoliator. Parts for your machine may be ordered through our dealers. When placing a parts order, please have the **model** and **serial number** ready. This will allow the dealer to fill your order as quickly as possible.

For your convenience, we have provided this space for you to record your model number, serial number, and the date of purchase, as well as your dealer's name and address.

Building on a
Art's-Way
Tradition of Quality

SERIAL NO.

MODEL NO.

Manufactured By
Art's-Way Manufacturing Co., Inc.
Armstrong, IA



Serial and Model Number Placard

TABLE OF CONTENTS

TO THE OWNER	1
SPECIFICATIONS AND DESIGN ARE SUBJECT TO CHANGE WITHOUT NOTICE	1
Art's-Way Manufacturing Co., Inc. STATEMENT OF PRODUCT LIABILITY	1
IMPORTANT WARRANTY INFORMATION	1
LIMITATIONS OF THIS MANUAL	1
PARTS & SERVICE	2
TABLE OF CONTENTS	3-5
LIMITED WARRANTY	6
SAFETY FIRST	7
NOTICES OF DANGER, WARNING, AND CAUTION	7
SAFETY INSTRUCTIONS	8
GENERAL	8
BEFORE OPERATING	9
DURING OPERATION	9
MAINTENANCE SAFETY	9
HYDRAULIC SAFETY	10
TRANSPORTATION SAFETY	10
STORAGE SAFETY	10
TIRE SAFETY	11
ASSEMBLY SAFETY	11

TABLE OF CONTENTS	
NAME	PAGE
POWER TAKE OFF ASSEMBLY	14
POWER TAKE OFF - (PTO) DRIVE ASSEMBLY, (1-3/4-20 TRACTOR SPLINE)	16
HITCH ASSEMBLY	17
HITCH HYDRAULIC ASSEMBLY	18
CURTAIN ASSEMBLY, FRONT	19
COVER ASSEMBLY, TOP	20
SHIELDS ASSEMBLY, REAR	22
DRUM DOOR ASSEMBLY	24
COVER ASSEMBLY, SIDE	26
LONG DOOR ASSEMBLY	28
SHORT DOOR ASSEMBLY	29
GEARBOX ASSEMBLY	30
DRIVE ASSEMBLY, LH	32
DRIVE ASSEMBLY, RH (CONTINUED)	34
TENSIONER ASSEMBLY	36
TENSIONER ASSEMBLY	38
ROLLER ASSEMBLY	40
ASSEMBLY	42
GEARBOX ASSEMBLY	43
STEEL CLUSTER ASSEMBLY	44
ROTORCLUSTER ASSEMBLY, RUBBER FLAIL 6-PIN	46
CLUSTER ASSEMBLY, RUBBER 8 PIN	48
CARRIER WHEELS ASSEMBLY, FIXED 44" OFFSET	50
CARRIER WHEELS ASSEMBLY, FIXED 22" OFFSET	52
CARRIER WHEELS ASSEMBLY,	54
CARRIER HUB & SPIN DLE ASSEMBLY	56
CARRIER WHEEL & TIRE ASSEMBLY	57
SCALPER TOOLBAR ASSEMBLY	58
DISK SCALPER ASSEMBLY, LH & RH	60
SCALPER ASSEMBLY, MECHANICAL KNIFE	62
HYDRAULIC CIRCUITS ASSEMBLY, STEERING & LIFT	64
STABILIZER ASSEMBLY, FRAME & WHEEL	66
HUB & SPINDLE ASSEMBLY, STABILIZER	68
WHEEL SET ASSEMBLY, STEERABLE	70
LIGHTS & VALVE BLOCK ASSEMBLY	72
DECALS	74



**LIMITED WARRANTY FOR NEW ART'S WAY MANUFACTURING CO. FARM MACHINERY
(U.S. ONLY)**

- A. **GENERAL PROVISIONS:** Art's Way Manufacturing Co., Inc. (Art's Way Mfg.) warrants the products it sells to be free from defects in material and workmanship for the periods of time set forth in the Warranty Table below. Art's Way Mfg. obligation and liability under this limited warranty, is to repair or replace (at Art's Way Mfg. option) any part(s) that upon manufacture were defective in material or workmanship. Warranty service shall be performed by an authorized Art's Way Mfg. dealer or authorized service center and will be completed using Art's Way Mfg. supplied parts. Parts supplied by Art's Way Mfg. are shipped F.O.B. Art's Way. The original purchaser shall be responsible for service calls and transportation of the farm machinery to and from their dealer or service center. The original purchaser is also responsible for any expedited repair charges (i.e., overtime and "next day air" deliveries) requested by the original purchaser. The original purchaser is also responsible for any repair service, parts, and labor on repairs made to the farm machinery at the time the warranty service was being performed.
- B. **SECURING WARRANTY SERVICE:** The original purchaser must (1) contact their authorized dealer and report the break-down. (2) The authorized dealer shall provide objective evidence of the farm machinery's warranty status to Art's Way Mfg. (3) The authorized dealer shall provide all documentation to Art's Way Mfg. which supports that the farm machinery was thoroughly inspected prior to set-up and delivery to the original purchaser. (4) The original purchaser shall make the farm machinery available to their Art's Way Mfg. authorized dealer and/or Art's Way Mfg. authorized service center within 30 days of the reported break-down. All parts or assemblies replaced under the limited warranty must be held for inspection for ninety (90) days, or until credit has been issued, or a claim has been returned to a dealer. When a claim is returned to a dealer with instructions to return and/or hold the part(s) for inspection, parts must be handled as instructed or the claim may be denied.
- C. **SPARE PARTS WARRANTY:** Art's Way Mfg. warrants that it will replace or repair (excluding labor) as Art's Way Mfg. elects, without charge, any genuine spare part purchased from Art's Way Mfg. which is defective in material or workmanship within ninety (90) days of the date of installation. This warranty applies to parts that, in Art's Way Mfg. judgement, prove to be defective in either material or workmanship. All parts to be shipped F.O.B. Art's Way Mfg. All spare parts replaced under the spare parts warranty must be held for inspection for ninety (90) days or until credit has been issued, or a claim has been returned to a dealer. When a claim is returned to a dealer with instructions to return and/or hold the part(s) for inspection, parts must be handled as instructed or the claim may be denied.
- D. **LIMITATIONS:** Art's Way Mfg. Limited Warranty does not extend coverage to product being used in a commercial application (i.e. rented equipment). Art's Way Mfg. Limited Warranty does not extend to parts and elements not manufactured by Art's Way Mfg., and which carry the warranty of another manufacturer. Art's Way Mfg. makes no other warranty expressed or implied and makes no warranty of merchantability or fitness for any particular purpose beyond that expressly stated in this warranty. Art's Way Mfg. liability is limited to the terms set forth in this warranty and does not include any liability for direct, indirect, incidental or consequential damages or expenses of delay and Art's Way Mfg. liability is limited to the repair and replacement of defective parts as set forth herein. Any improper use and/or maintenance, including operation after the discovery of defective or worn parts, operation beyond the rated capacity, substitution of parts not approved by Art's Way Mfg. or any alteration or repair by others than the authorized Art's Way Mfg. dealer or authorized service center which affect the product materially and adversely, shall void the warranty. No dealer, employee or representative is authorized to change this warranty in any way or grant any other warranty unless such change is made in writing and signed by an officer of Art's Way Mfg. Some states do not allow limitations on how long an implied warranty lasts or exclusions or limitations of incidental or consequential damages, so the above limitations or exclusions may not apply to you. This warranty gives you the specific legal rights, and you may have other rights that vary from state to state.

NOTE: As of April 1, 2015, all previously distributed information concerning the limited warranty coverage of any Art's Way Manufacturing Company, Inc. manufactured product is to be considered null and void and replaced by this document.

Art's Way Mfg. Farm Machinery	Warranty Coverage
Grinder / Mixer – Model 6520, 6530, 6140, 6105, and Portable and Stationary equipment	1 (one) Year from Date of Delivery to Original Purchaser
Manure Spreader	1 (one) Year from Date of Delivery to Original Purchaser
Graders and Land Planes	1 (one) Year from Date of Delivery to Original Purchaser
Beet Harvesting Machinery	1 (one) Harvest Season from Date of Delivery to Original Purchaser
Shredders – Model 180C and 240C	1 (one) Year from Date of Delivery to Original Purchaser
Plows	1 (one) Year from Date of Delivery to Original Purchaser
Forage Blowers – Model 1060 and 2060	1 (one) Year from Date of Delivery to Original Purchaser
Forage Boxes/Receivers – Model 5300 and 1250	1 (one) Year from Date of Delivery to Original Purchaser
Rakes	1 (one) Year from Date of Delivery to Original Purchaser
Dump Boxes	1 (one) Year from Date of Delivery to Original Purchaser
Augers	1 (one) Year from Date of Delivery to Original Purchaser
Running Gear	1 (one) Year from Date of Delivery to Original Purchaser
Snow Blowers	1 (one) Year from Date of Delivery to Original Purchaser
Harvester Reel	1 (one) Year from Date of Delivery to Original Purchaser

Effective 1 April 2015

SAFETY FIRST

SAFETY INSTRUCTIONS

“A careful operator is the best insurance against an accident.” Quote from the National Safety Council.

Most accidents can be prevented if the operator:

1. Fully understands how the machine functions.
2. Can anticipate situations which may produce problems.
3. Can make necessary corrections before problems develop.

**THIS SYMBOL MEANS ATTENTION!
BECOME ALERT!
YOUR SAFETY IS INVOLVED!**



- Universal Safety Alert Symbol

The American Society of Agricultural Engineers has adopted the Universal Safety Alert Symbol as a way to identify areas of potential danger if the equipment is not operated correctly. Please be alert whenever you see this symbol in the manuals or on your defoliator.

Art's-Way Manufacturing Co., Inc. strives to make our equipment as safe as possible. The Art's-Way 1222AHS High Speed Defoliator conforms to applicable safety standards at the time of manufacturing. A safety conscious equipment operator makes an effective accident-prevention program complete.

Safety features and instructions for the defoliator are detailed in the Safety Guidelines section of this Operator's Manual. It is the responsibility of the owner to ensure that all operators read and understand the manual before they are allowed to operate the defoliator. (Occupational Safety and Health Administration (OSHA) regulations 1928.57).

NOTICES OF DANGER, WARNING, AND CAUTION

Signal Words: Note the use of signal words **DANGER**, **WARNING**, and **CAUTION** on the defoliator and in this manual. The appropriate signal word for each has been selected using the following guidelines:

DANGER

Indicates a hazardous situation which, if not avoided, will result in death or serious injury.

WARNING

Indicates a hazardous situation which, if not avoided, could result in death or serious injury.

CAUTION

Indicates a potentially hazardous situation which, if not avoided, could result in minor or moderate injury.

NOTICE

NOTICE is used to address practices not related to physical injury.

SAFETY INSTRUCTIONS

Safety instructions (or equivalent) signs indicate specific safety-related instructions or procedures.

Note: Contains additional information important to a procedure and will be found within the regular text body of this manual.

GENERAL

SAFETY INSTRUCTIONS

Most work related accidents are caused by failure to observe basic safety rules or precautions. An accident can often be avoided by recognizing potentially hazardous situations before an accident occurs. As you operate and maintain the defoliator you must be alert to potential hazards. You should also have the necessary training, skills, and tools to perform any assembly procedure.

Improper operation and/or maintenance of this unit could cause a dangerous situation that results in injury or death.

Do not use this unit until you read and understand the information contained in this manual. Do not use this equipment for anything other than its intended purpose.



Safety precautions and warnings are provided in this manual and on the unit. If these hazard warnings are not heeded, bodily injury or death could occur to you or to other persons.

Art's-Way Manufacturing Co., Inc. cannot anticipate every possible circumstance that might involve a potential hazard. The warnings in this manual and on the product are, therefore, not all-inclusive. If a method of operation not specifically recommended by us is used, you must satisfy yourself that it is safe for you and for others. You should also ensure that the unit will not be damaged or be made unsafe by the methods that you choose.

The information, specifications, and illustrations in this manual are based on the information that was available at the time this material was written and can change at any time.

Safety Alert Symbols



death.

This is the safety alert symbol. It is used to alert you to potential personal injury hazards. Obey all safety messages that follow this symbol to avoid possible injury or

This manual contains DANGERS, WARNINGS, CAUTIONS, NOTICES, SAFETY INSTRUCTIONS, and NOTES which must be followed to prevent the possibility of improper service, damage to the equipment, personal injury, or death. The following key words call the readers attention to potential hazards.

Hazards are identified by the "Safety Alert Symbol" and followed by a signal word such as "DANGER", "WARNING", or "CAUTION".

**SAFETY
INSTRUCTIONS**

Remember:
"The Best Operator is a Safe Operator"

CAUTION



Read and understand the operator's manual and all the safety decals before operating the defoliator. Review all safety instructions with all operators annually.

BEFORE OPERATING

SAFETY
INSTRUCTIONS

Do not wear loose fitting clothing as it may catch in moving parts.



Make sure all guards and shields are installed, including the tractor power take-off (PTO) master shield, before starting or operating the defoliator.



Be sure that the correct implement driveline parts are used and that they are properly secured.

Lower the lifter wheels when the defoliator is not in use.

Install safety chain when attaching the defoliator to the tractor.



Clear the area of bystanders, especially children, when making repairs, adjustments, or performing maintenance on the defoliator.



Do not allow riders.

Put all tractor and machine controls in “neutral” and disengage the PTO before starting. Follow the starting instructions according to the OEM tractor manual.



Operate the defoliator only while seated on the tractor seat.



Make sure the unit is adequately supported with safety blocks or safety stands when changing tires or performing maintenance.

DURING OPERATION

CAUTION



Entanglement Hazard
Keep hands, feet, hair, and clothing away from moving parts. Wait for all movement to stop before approaching equipment. Before making adjustments:

1. Shut off the tractor,
2. Set parking brake,
3. Put machine in neutral, and
4. Remove key while making adjustments.



Keep all shields and guards in place and in good working condition.



Keep all bystanders, especially children, away from the defoliator while in operation.



Do not allow riders while the defoliator is in operation.



Do not attempt to unclog, clean, or adjust the defoliator while it is running.



Stay away from overhead power lines. Electrocution can occur even without direct contact.



Keep all hydraulic lines, fittings, and couplers tight and free of leaks. (Refer to Safety Guidelines – Hydraulic Safety).



Use caution when ascending or descending on the defoliator. Wet shoes or boots are slippery.

MAINTENANCE SAFETY

SAFETY
INSTRUCTIONS

Follow all operating, maintenance, and safety instructions found in this Manual.



Before servicing, adjusting, repairing, or unclogging the machine, always make sure the tractor engine is stopped, key in your pocket, the machine is lowered to the ground, all controls are placed in neutral, the parking brake is set, and all the moving parts have stopped.



Use sufficient tools, jacks, and hoists that have the capacity for the job.



Use support blocks or safety stands when changing tires or performing maintenance.



Follow good shop practices of keeping the service area clean and dry, and use adequate light for the job at hand.



Before applying pressure to the hydraulic system, make sure all lines, fittings, and couplers are tightly secured and in good condition.



Make sure all shields/guards are in place and properly secured when performing maintenance.

HYDRAULIC SAFETY

SAFETY INSTRUCTIONS

Follow all operating, maintenance, and safety instructions found in this Manual.

Make sure components in the hydraulic system are kept clean and in good working condition.



Relieve pressure from the hydraulic system before servicing or disconnecting from the tractor.



Keep all hydraulic lines, fittings, and couplers tightly secured and free of leaks.



Replace any worn, cut, abraded, flattened, or crimped hoses.



Do not make any temporary repairs to the hydraulic lines, fittings, or hoses using tape, clamps, or cement. The hydraulic system operates under extremely high pressure and temporary repairs may fail suddenly and create a hazardous/dangerous situation.



Wear proper hand and eye protection when searching for a high-pressure hydraulic leak. Use a piece of wood or cardboard as a backstop instead of hands to identify and isolate a leak. If injured by a concentrated high-pressure stream of hydraulic fluid, seek medical attention immediately. Serious infection or toxic reaction can develop if hydraulic fluid penetrates the surface of the skin.



Before applying pressure to the system, make sure all components are tight and that the hydraulic lines, hoses, and couplings are not damaged.

TRANSPORTATION SAFETY

SAFETY INSTRUCTIONS

Follow all operating and safety instructions found in this manual when transporting this equipment.

Make sure the defoliator complies with all local regulations regarding transporting equipment on public roads and highways.



Make sure the Slow Moving Vehicle (SMV) emblem and all lights and reflectors required by local highway and transportation authorities are properly in place, clean, and clearly visible to traffic.



Do not allow riders on any machinery during transport.

Make sure the defoliator is securely attached to the tractor and install a safety chain to the defoliator.

Make sure the tractor brake pedals are latched together.

Do not exceed 20 mph (32 km/h) when transporting the defoliator. Always reduce speed on rough roads and surfaces, or when going down inclines.

Use caution when turning and always use the turn signals on the tractor to indicate your turning intentions to the other traffic.

The weight of the trailed machine should NEVER exceed the weight of the towing vehicle.

Check all clearances carefully whenever the machine is towed.

Lower the elevator into the transport position before transporting the defoliator on the highway.



Stay away from overhead obstructions and power lines during transport. Electrocutation can occur even without direct contact.

STORAGE SAFETY

SAFETY INSTRUCTIONS

Follow all operating and safety instructions found in this manual when storing this equipment.



Store the defoliator in an area away from human activity.



Do not permit children to play on or around the stored machine at any time.

Make sure that the defoliator is stored in an area with a firm and level base to prevent the machine from tipping or sinking into the ground.



Block the wheels to prevent the machine from rolling.

TIRE SAFETY**SAFETY
INSTRUCTIONS**

Follow all operating and safety instructions found in this manual when working around tires.

Have only a qualified tire dealer or tire repair service perform tire repairs.

Do not attempt to install a tire on a wheel or rim unless you have the proper equipment and experience to do the job.

Do not substitute tires with a lesser road rating and/or capacity for the original equipment tires.

WARNING

Explosive Force Hazard
Tire replacement, repair, and/or maintenance should be done by a qualified tire dealer or qualified repair service.

Failure to follow proper procedures when installing a tire on a wheel or rim can produce an explosive force that will result in serious injury or death.

Do not attempt to install a tire without proper equipment and experience to perform the job.

ASSEMBLY SAFETY**SAFETY
INSTRUCTIONS**

Follow all assembly, operating, and safety instructions found in this manual when assembly this equipment.



Use adequate manpower to perform assembly procedures safely.

Assemble the defoliator in an area with sufficient space to maneuver the largest components and allow easy access to all sides of the machine.



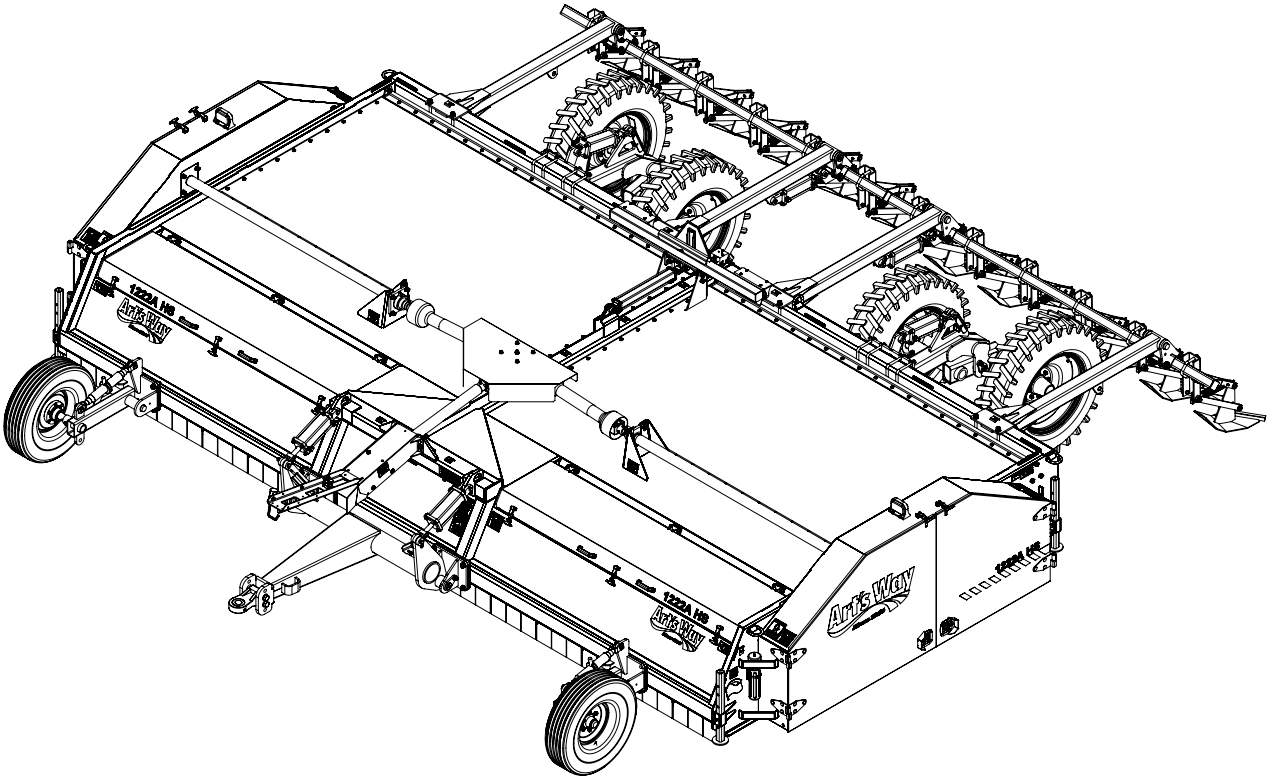
Use only forklifts, lift cranes, jacks, and tools with sufficient capacity for the loads.



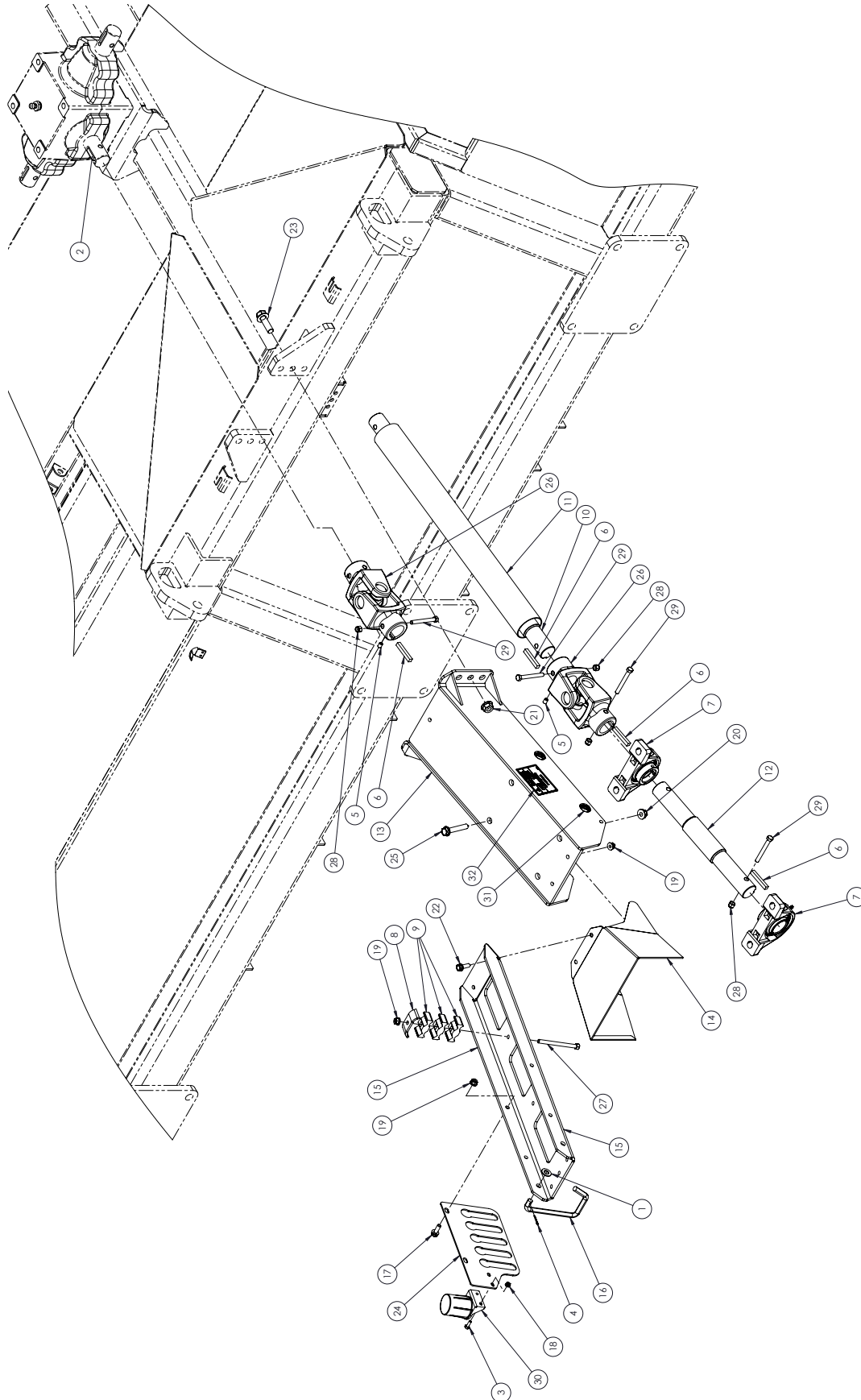
Do not allow spectators, especially children, in the working area.

**THIS PAGE
LEFT
INTENTIONALLY
BLANK**

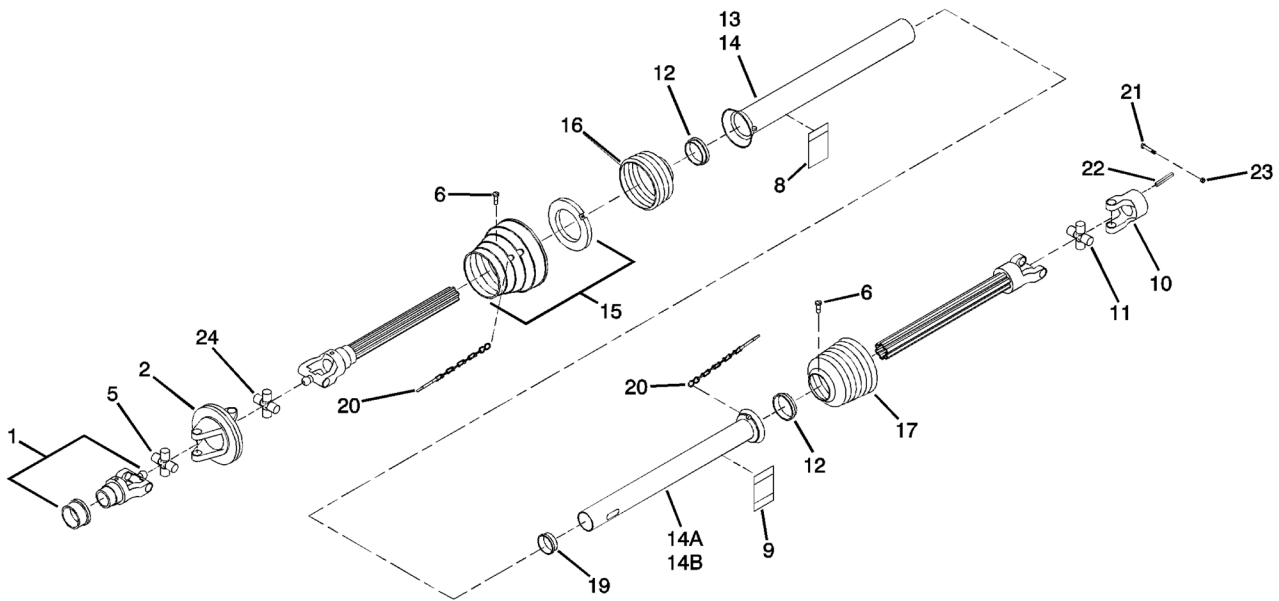
SECTION 1: DEFOLIATOR



POWER TAKE OFF ASSEMBLY

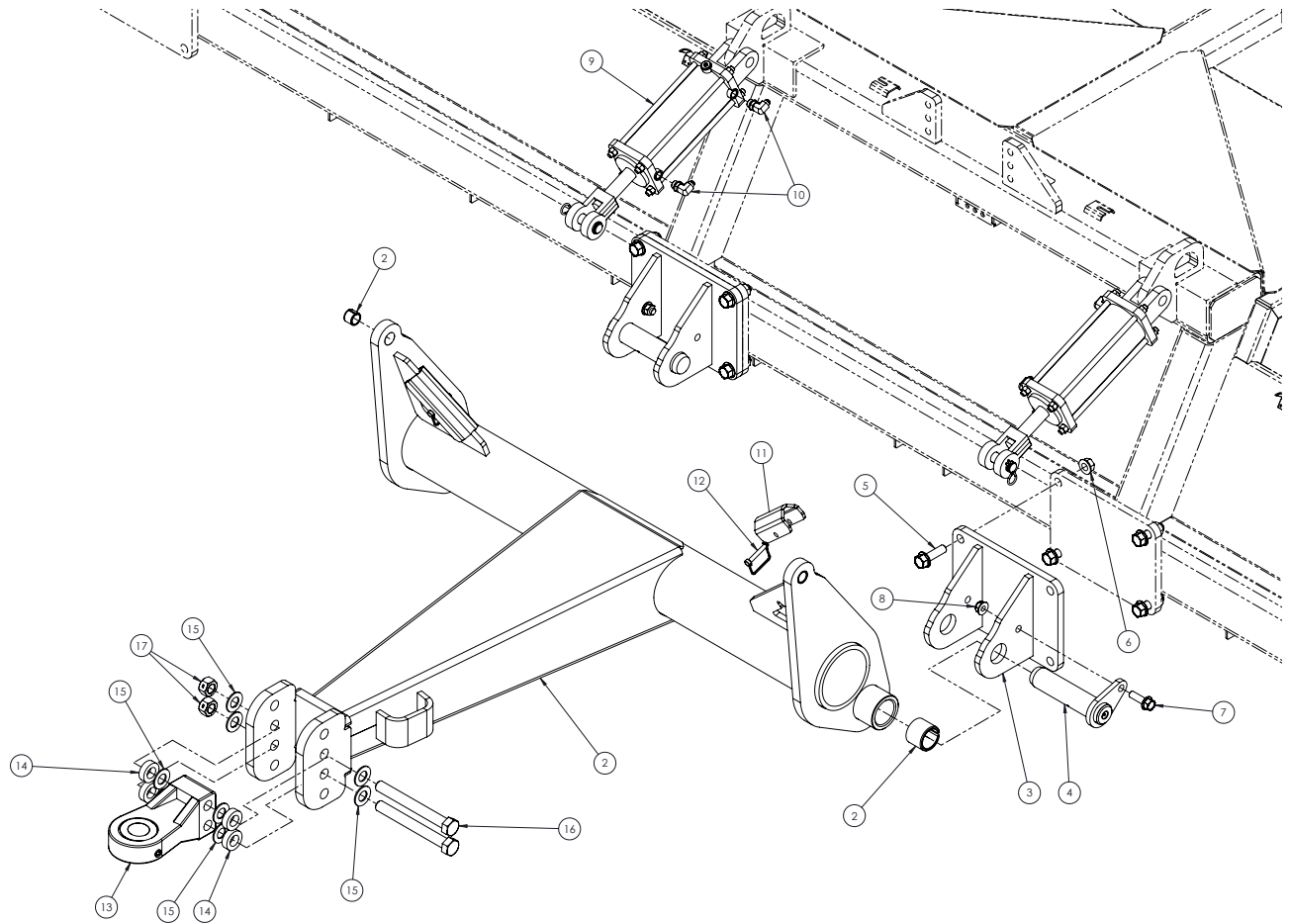


ITEM NO.	PART NUMBER	DESCRIPTION	QTY.
1	005200	WASHER, FLAT 1/2 STD	1
2	006670	KEY, SQUARE 3/8 x 1-1/2	1
3	012051	BOLT, HHCS 1/4-20 x 3/4	2
4	034360	PIN, COTTER, 1/8 X 1.00	1
5	120970	SCREW, HSSS 3/8-16 X 1/2"	4
6	167920	KEY, SQ 3/8 x 2-1/2	4
7	238420	BEARING , PB 1-3/4	2
8	527680	BAR, HOSE CLAMP	3
9	527700	CLAMP, HOSE	9
10	565960	SHAFT, INPUT	1
11	566930	SPIN SLEEVE,	1
12	566940	SHAFT, INPUT STUB	1
13	566950	SUPPORT WLDT,	1
14	567230	SHIELD, PTO	1
15	567275	SUPPORT, PTO	1
16	567410	HOOK, PTO MOUNT	1
17	600050	BOLT, HFH 3/8-16 X 1.00"	2
18	600100	NUT, HFH NYLOC 1/4-20	2
19	600120	NUT, HFH NYLOC 3/8-16	7
20	600140	NUT, HFH NYLOC 1/2-13	4
21	600150	NUT, HFH NYLOC 5/8-11	6
22	600280	BOLT, HFH 3/8-16 X 1-1/4"	2
23	600540	BOLT, HFH 5/8-11 X 2"	6
24	602100	HOLDER, HYD HOSE	1
25	607660	BOLT, HFH 1/2-13 X 2.00"	4
26	623970	UNIVERSAL JOINT, 44R	2
27	991160	BOLT, HHCS 3/8-16 x 4"	3
28	E552044	NUT, NYLOC 3/8-16	4
29	I189304	BOLT, HHCS 3/8-16 X 3-1/4"	4
30	JPT1296	BRACKET, STORAGE HOLDER 7 POLE	1
31	146670	DECAL, GREASE SYMBOL	4
32	467430	DECAL, WARNING MOVING PART	2

POWER TAKE OFF - (PTO) DRIVE ASSEMBLY, (1-3/4-20 TRACTOR SPLINE)


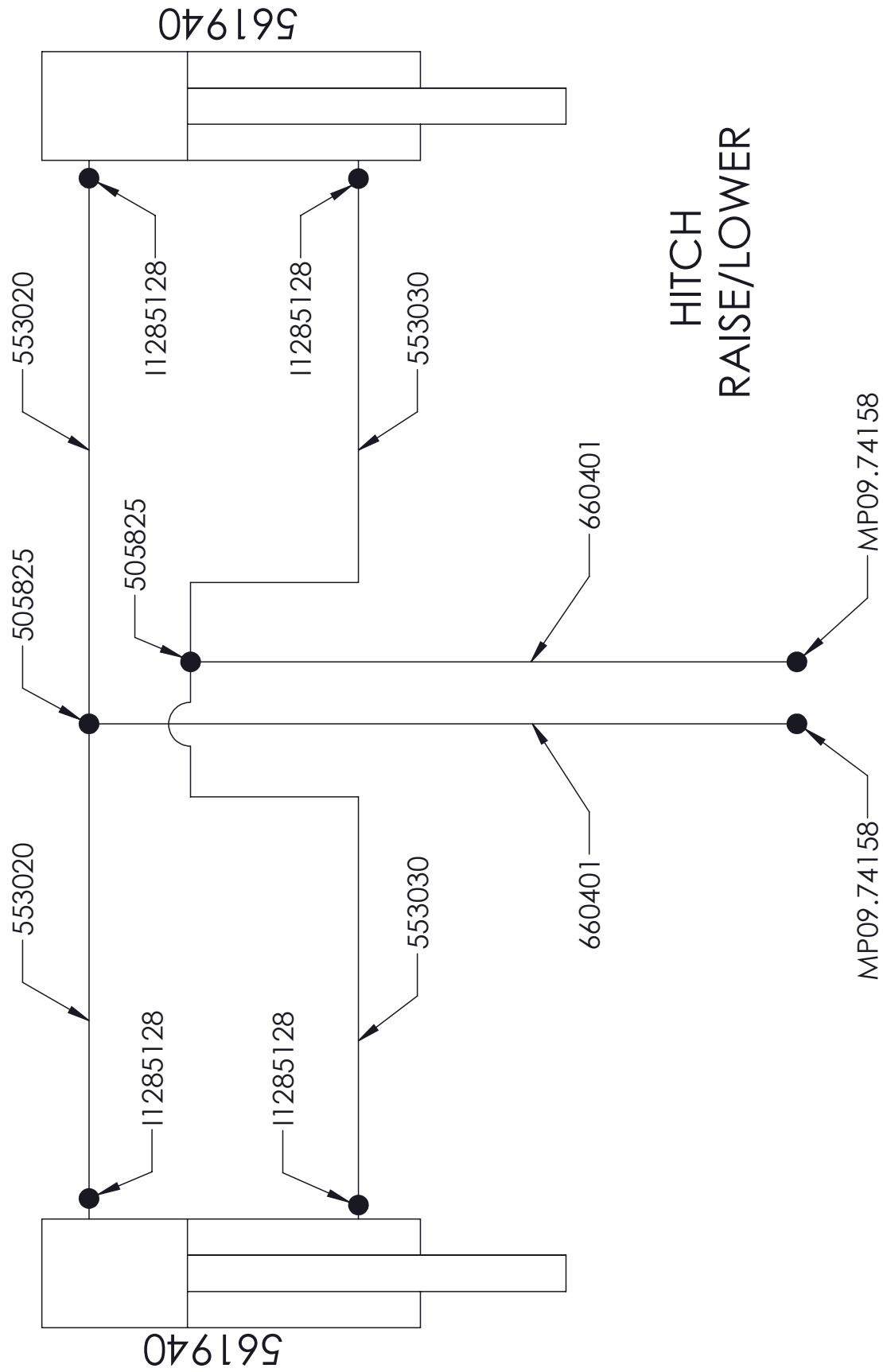
ITEM NO.	PART NUMBER	DESCRIPTION	QTY.
1	575390	YOKE, SPLINE	1
	575440	* COLLAR KIT, OSG (INCLUDED WITH FIG ITEM 1)	1
- 1A	345840	YOKE 1-3/4-20 SPLINE (2007 & PRIOR)	1
	340200	* COLLAR KIT, (2007 & PRIOR)	1
2	575400	DOUBLE YOKE ASSEMBLY	1
- 2A	345850	DOUBLE YOKE ASSEMBLY (2007 & PRIOR)	1
5	575420	KIT, CROSS AND BEARING CV - PLAIN	2
- 5A	345870	KIT, CROSS AND BEARING CV - PLAIN (2007 & PRIOR)	2
6	345980	SCREW, SHIELD (IN FIG ITEMS 15, 16, AND 17)	8
8	268860	DECAL, DANGER ROTATING DRIVELINE (ON FIG ITEM 13)	1
9	340180	DECAL, DANGER SHIELD MISSING (ON FIG ITEM 14)	1
10	345910	YOKE, 1-3/4 RB 3/8 KEYWAY	1
11	182230	KIT, CROSS AND BEARING	1
12	182900	BEARING, RING SC 25	2
13	287490	TUBE, OUTER SHIELD OVAL 1-3/4	1
14	287500	TUBE, INNER SHIELD ROUND 1-3/4	1
15	345950	ASSEMBLY, CV CONE AND BEARING	1
16	345960	SHIELD, CONE 3 RIB	1
17	340140	SHIELD, CONE 7 RIB	1
19	340190	BEARING, SUPPORT	1
20	182890	CHAIN, SAFETY SHIELD	2
21	990870	BOLT, HHCS 3/8-16 X 2 INCH	1
22	021530	KEY, SQUARE 3/8 X 2	1
23	E552044	NUT, LOCK 3/8-16 HEX TOP GRADE A	1
24	575410	CROSS AND BEARING KIT W/ CENTRAL LUBE CV	1
- 24A	498820	CROSS AND BEARING KIT W/ CENTRAL LUBE CV (2007 & PRIOR)	1

HITCH ASSEMBLY

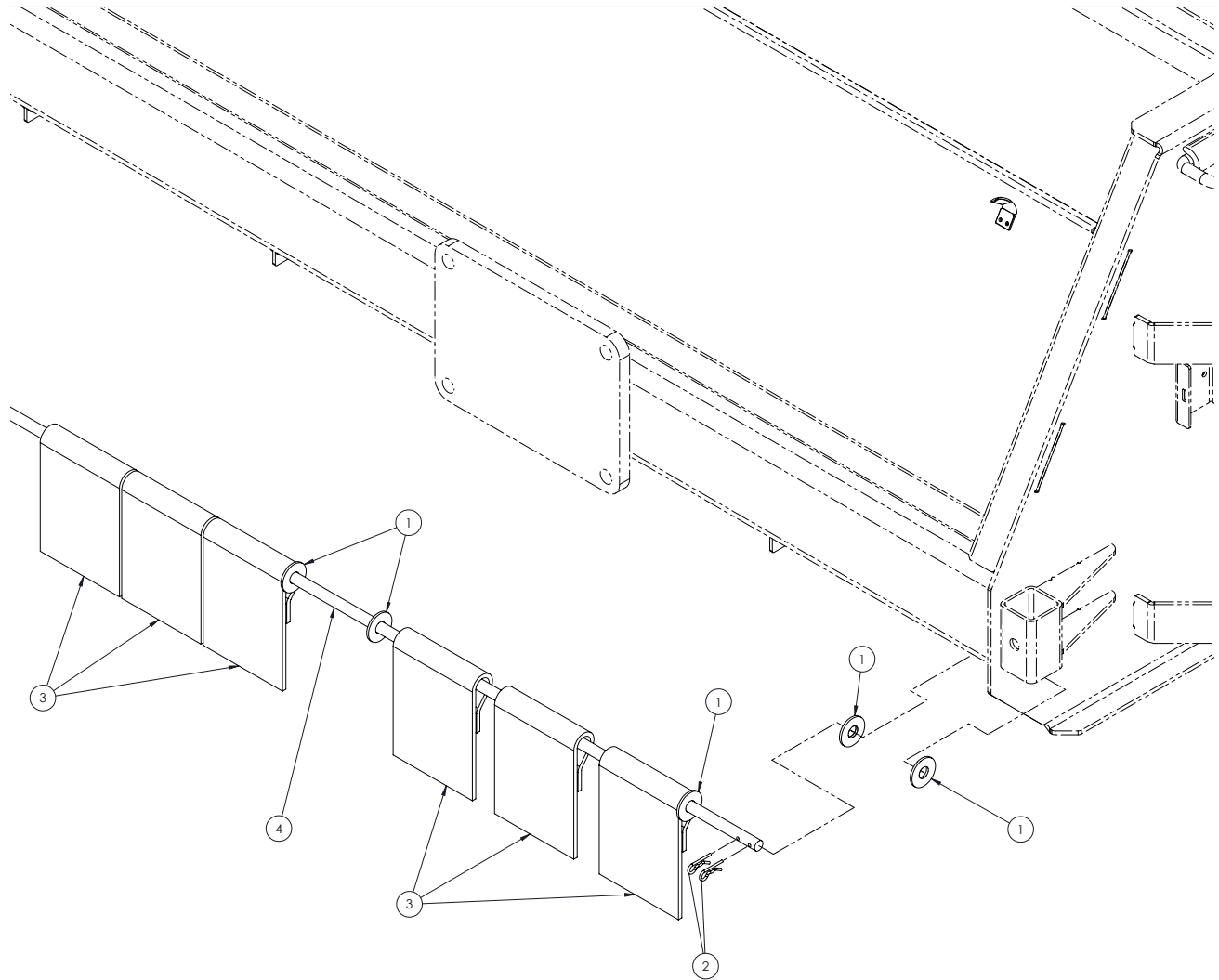


ITEM NO.	PART NUMBER	DESCRIPTION	QTY.
1	661500	FRAME WLDT, 1222	1
2	565555	HITCH WLDT	1
3	565905	HITCH MOUNT WELDMENT	2
4	660301	PIN WELDMENT, 8"	2
5	600430	BOLT, HFH 3/4-10 X 2-1/2"	8
6	600320	Nut, Serrated FI	8
7	600540	BOLT, HFH 5/8-11 X 2"	2
8	600150	NUT, HFH NYLOC 5/8-11	2
9	561940	CYLINDER, HYD 4 X 8	2
10	I2185128	FITTING, HYD 90°	4
11	567600	CYLINDER STOP, 8.00	2
12	143710	PIN, SNAPPER	2
13	576420	HITCH, SPH. PINTLE	1
14	565551	SPACER, HITCH	4
15	1107389	WASHER, FLAT 1 SAE	8
16	390070	BOLT, HHCS 1.00-8 x 9.0 GR5	2
17	990510	NUT, LOCK 2-WAY 1-8	2

HITCH HYDRAULIC ASSEMBLY

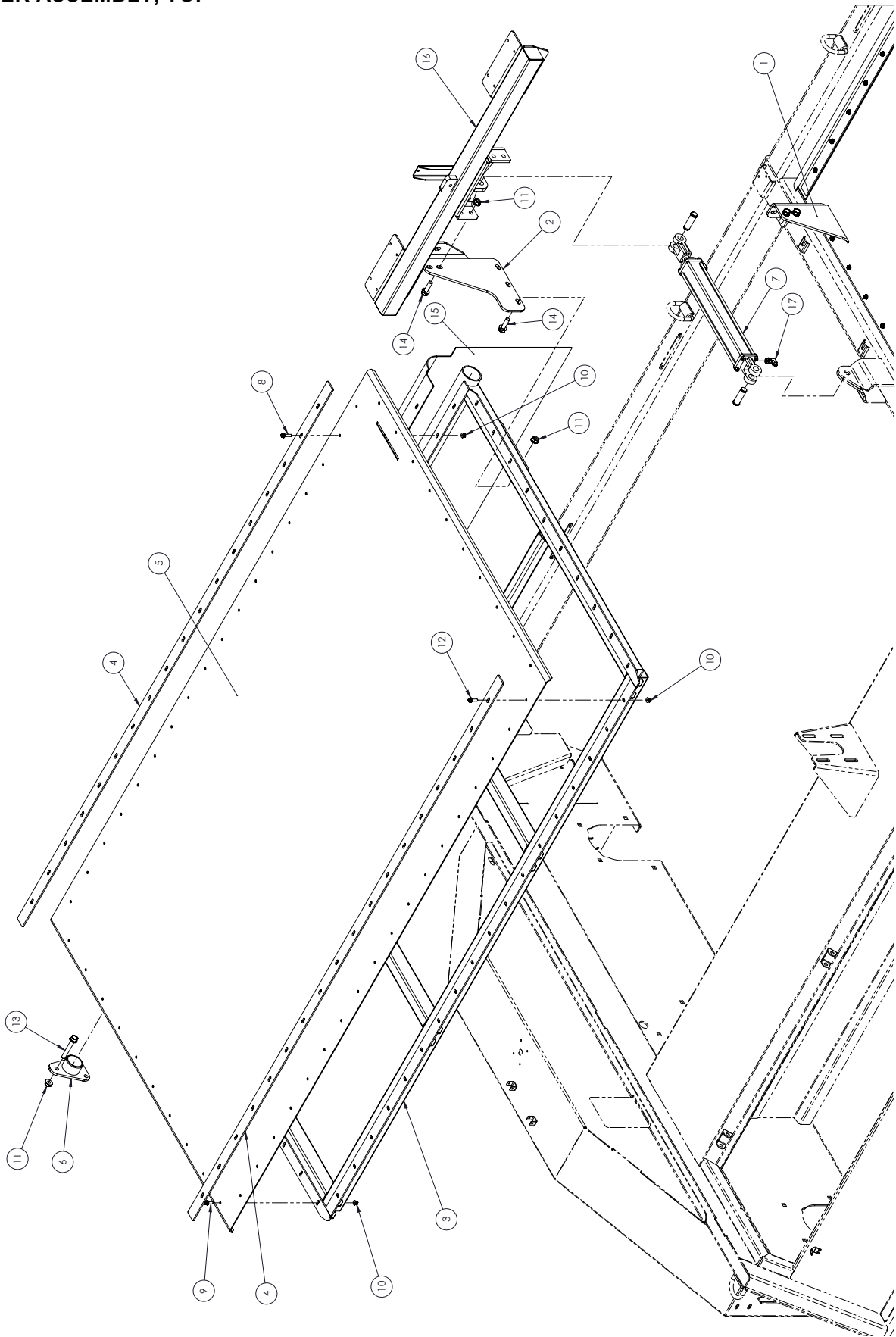


CURTAIN ASSEMBLY, FRONT



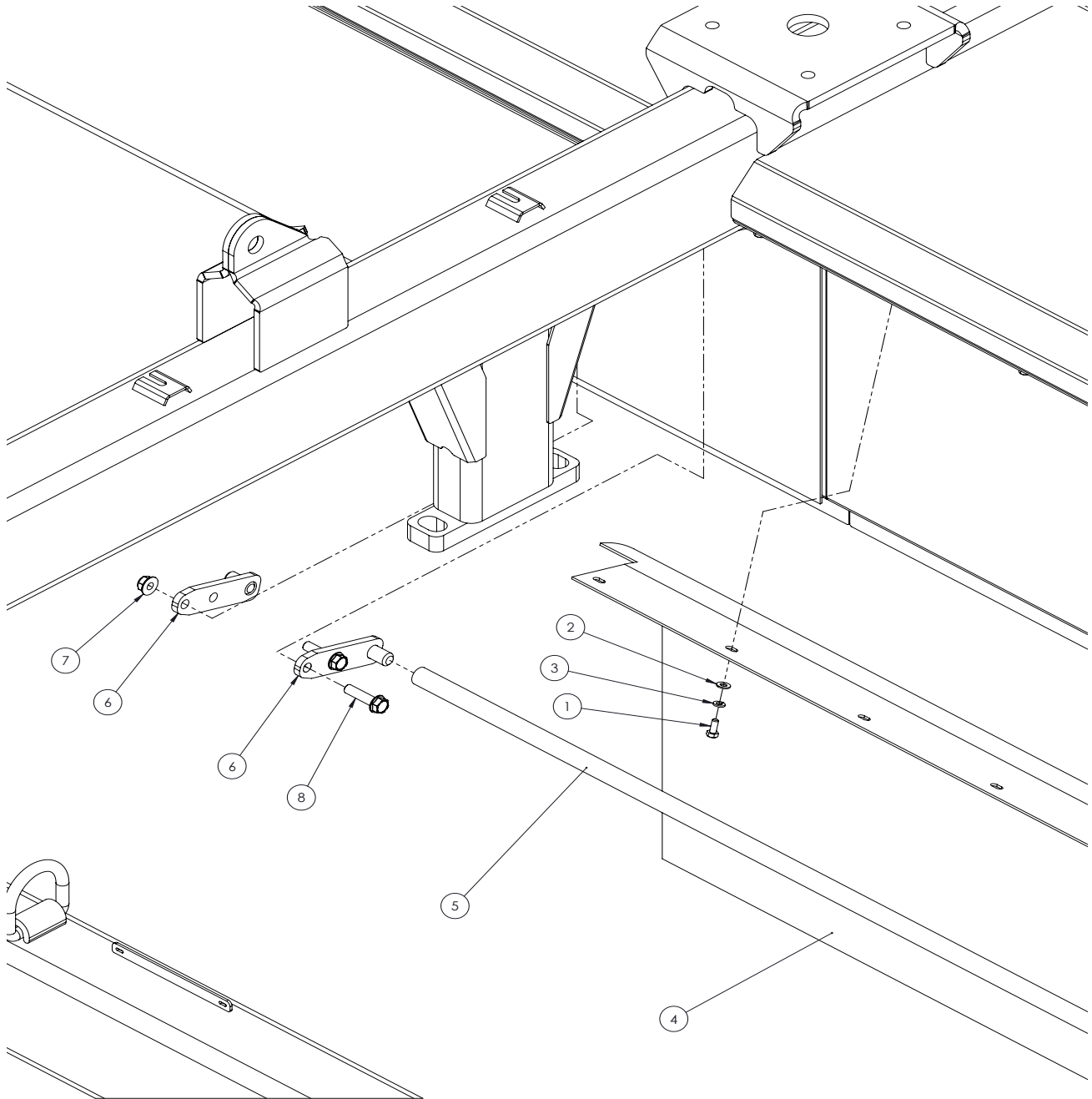
ITEM NO.	PART NUMBER	DESCRIPTION	QTY.
1	020430	WASHER, FLAT 5/8 STD	32
2	124350	PIN, COTTER 1/8 x 1-1/2"	2
3	183330	DEFLECTOR, RUBBER CURTAIN	43
4	422940	ROD, FRONT DEFLECTOR	2

COVER ASSEMBLY, TOP



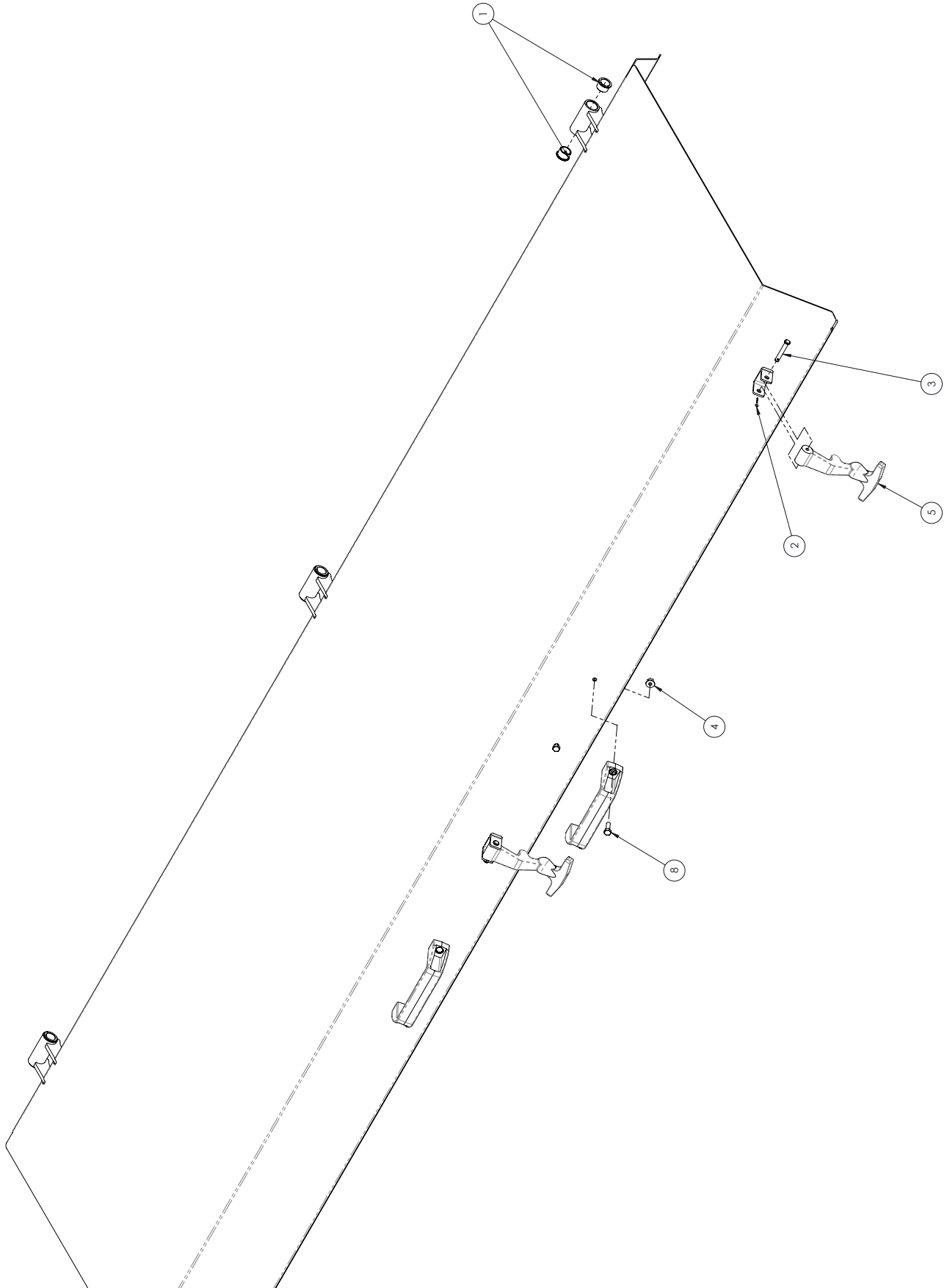
ITEM NO.	PART NUMBER	DESCRIPTION	QTY.
1	566330	BRACE, DOOR LH	1
2	566340	BRACE, DOOR RH	1
3	566800	REAR DOOR WLDT	2
4	566821	BAR, TOP	4
5	566890	TOP COVER	2
6	566900	PIVOT WLDT,	2
7	567000	CYLINDER, HYD. 2-1/2" X 20"	1
8	600040	BOLT, HFH 3/8-16 X 1-1/2"	36
9	600050	BOLT, HFH 3/8-16 X 1.00"	40
10	600120	NUT, HFH NYLOC 3/8-16	112
11	600150	NUT, HFH NYLOC 5/8-11	20
12	600280	BOLT, HFH 3/8-16 X 1-1/4"	36
13	600360	BOLT, HFH 5/8-11 X 4"	6
14	600540	BOLT, HFH 5/8-11 X 2"	14
15	609550	COVER, REAR	2
16	619095	LIGHT BAR WELDMENT	1
17	I2185128	FITTING, HYD 90°	2

SHIELDS ASSEMBLY, REAR



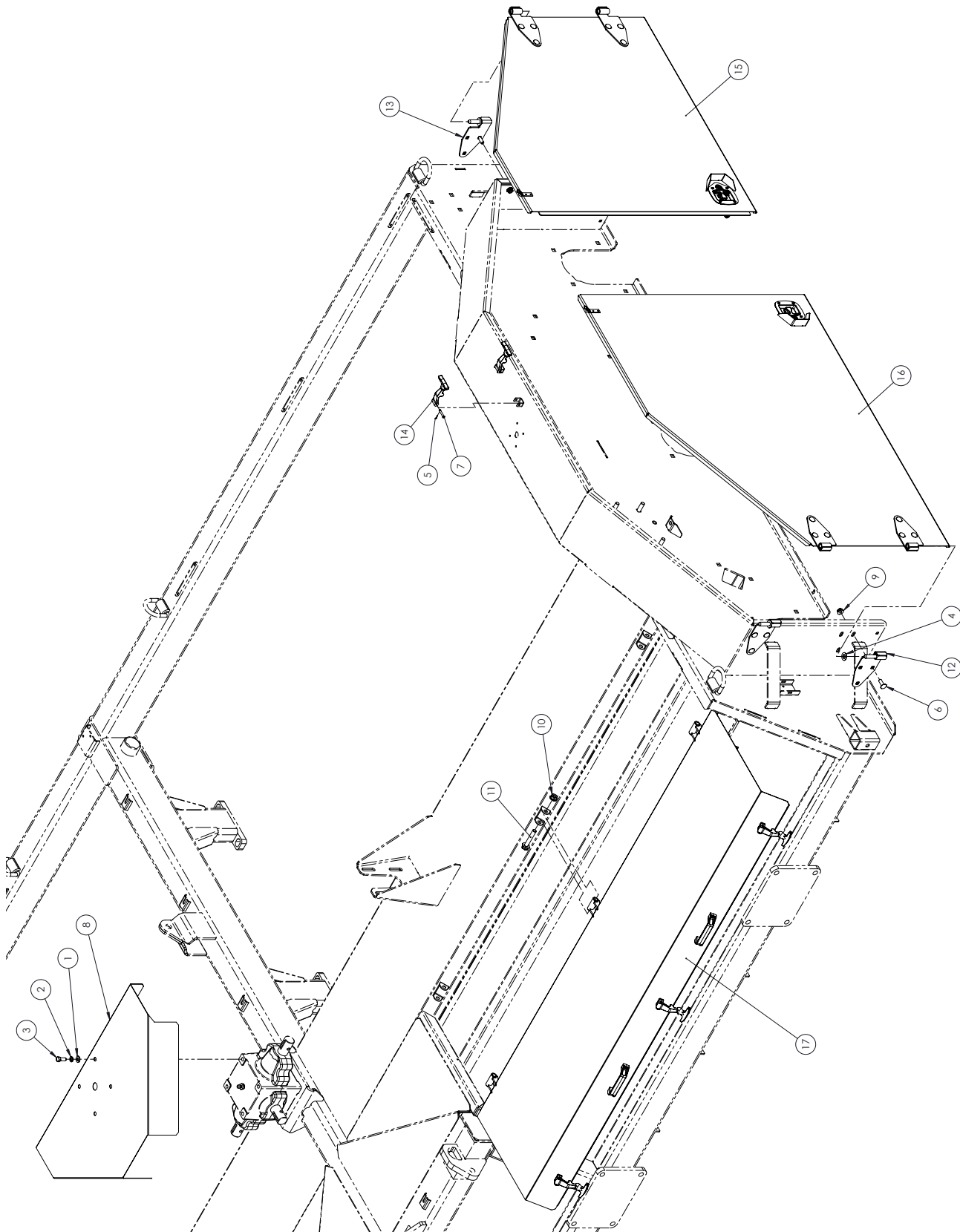
ITEM NO.	PART NUMBER	DESCRIPTION	QTY.
1	012140	BOLT, HHCS 5/16-18 X 3/4	30
2	022920	WASHER, FLAT 5/16 STD	30
3	023620	WASHER, LOCK 5/16	30
4	567070	DEFLECTOR, POLY	2
5	567090	TUBE, SUPPORT	2
6	567100	MOUNT, DEFLECT	2
7	600140	NUT, HFH NYLOC 1/2-13	2
8	600240	BOLT, HFH 1/2-13 X 2.00"	2

DRUM DOOR ASSEMBLY



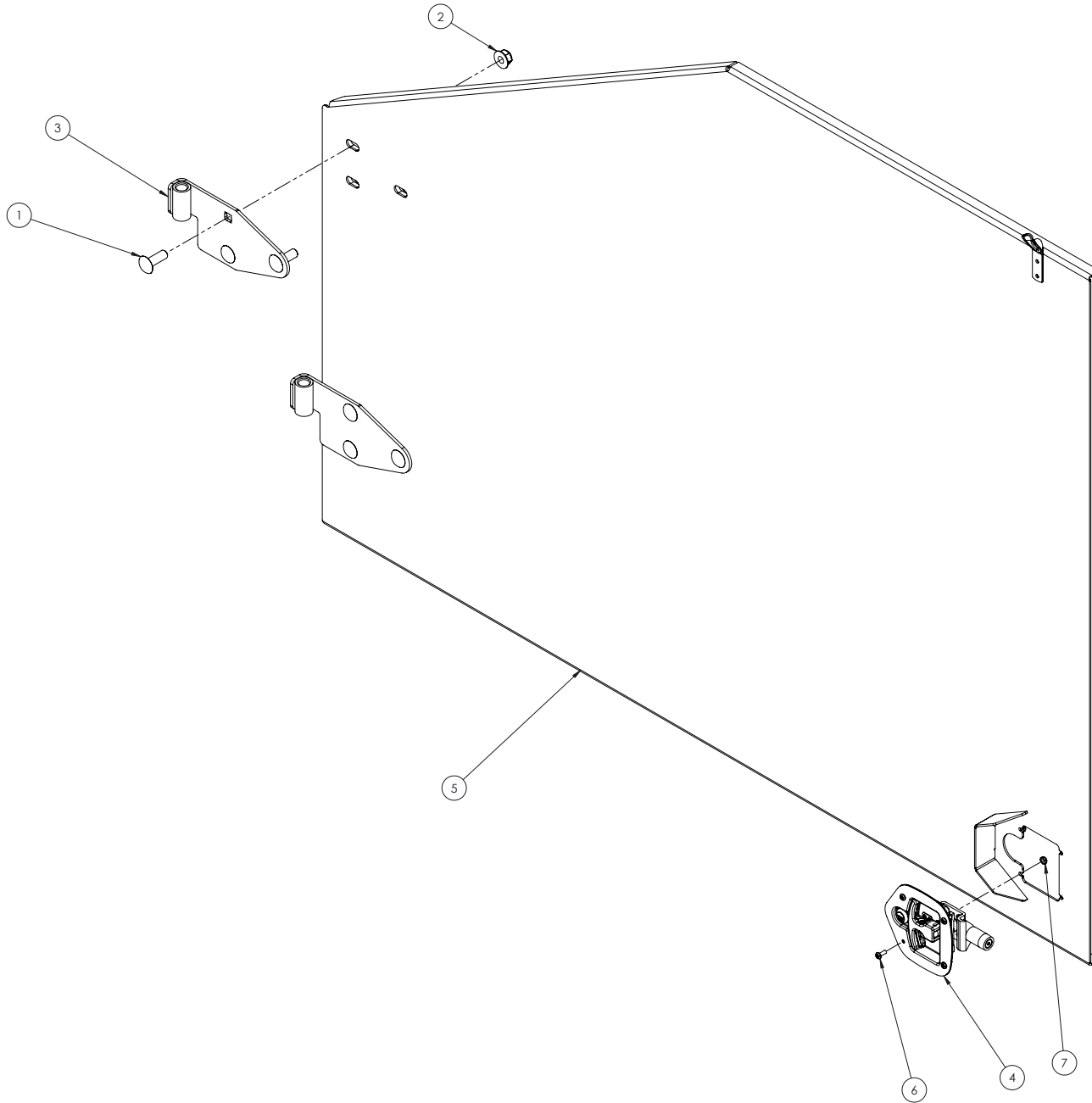
ITEM NO.	PART NUMBER	DESCRIPTION	QTY.
1	113540	BUSHING, OILITE FLG	6
2	116820	PIN, COTTER 1/16 x 3/4	3
3	215800	PIN, CLEVIS 1/4 x 1 5/8	3
4	600097	NUT, HFH NYLOC 1/4-20	4
5	643133	LATCH, RUBBER	3
6	661551	DRUM DOOR WELDMENT	1
7	661568	HANDLE, PULL	2
8	661569	BOLT, HHCS M6-1 X 20	4

COVER ASSEMBLY, SIDE



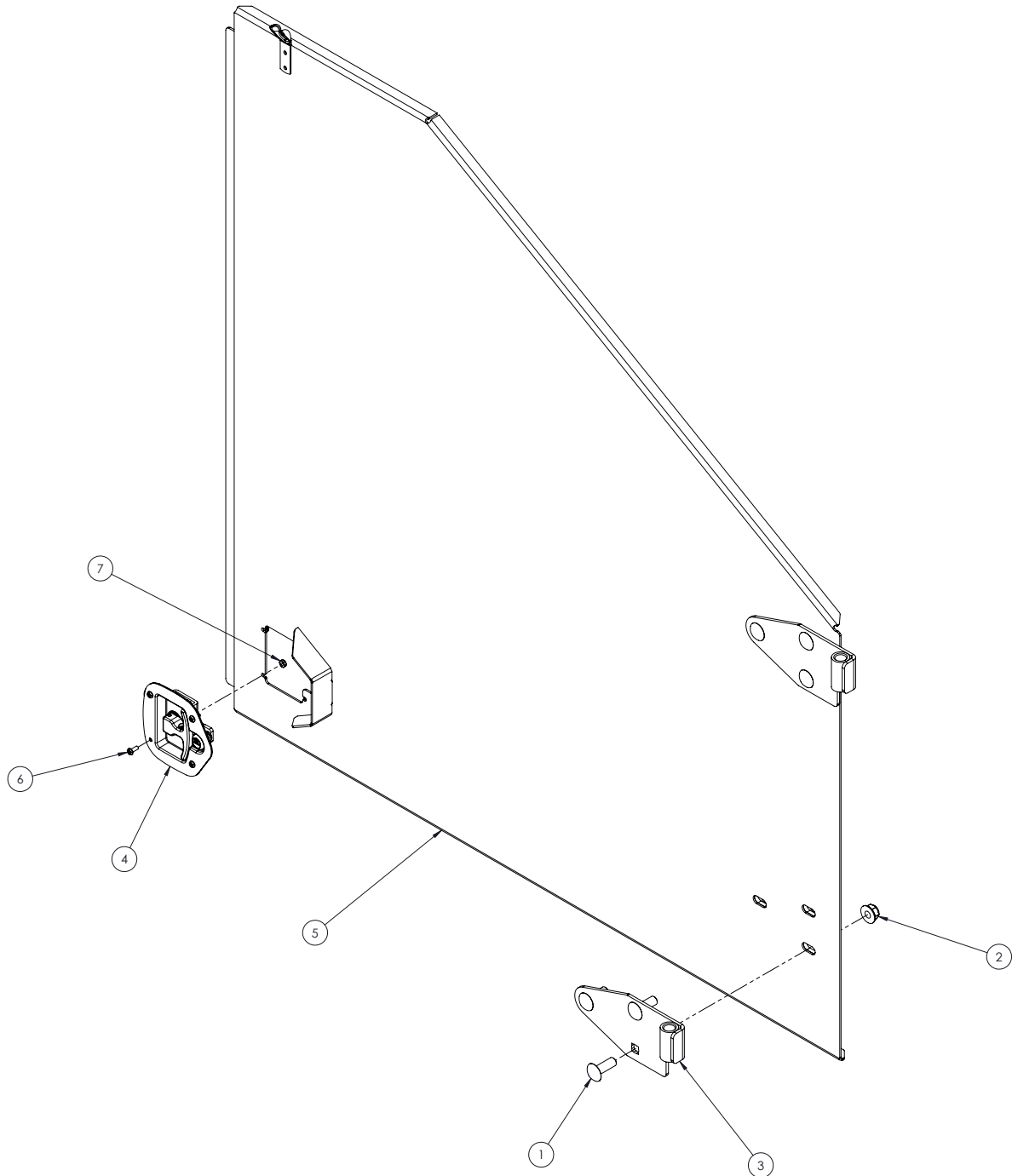
ITEM NO.	PART NUMBER	DESCRIPTION	QTY.
1	005200	WASHER, FLAT 1/2 STD	4
2	005370	WASHER, LOCK 1/2	4
3	010730	BOLT, HHCS 1/2-13 X 1-1/4"	4
4	035210	WASHER, FLAT 5/8	8
5	116820	PIN, COTTER 1/16 x 3/4	4
6	156850	BOLT, CRG 1/2-13 X 1-1/2"	24
7	215800	PIN, CLEVIS 1/4 x 1 5/8	4
8	565940	SHIELD, GEARBOX	1
9	600140	NUT, HFH NYLOC 1/2-13	24
10	600150	NUT, HFH NYLOC 5/8-11	6
11	600380	BOLT, HFH 5/8-11	6
12	621595	HINGE WLDT, MALE	4
13	621598	HINGE WLDT, MALE	4
14	643133	LATCH, RUBBER	4
15	661530	SUB-ASM, SHORT DOOR	2
16	661535	SUB-ASM, LONG DOOR	2
17	661550	DRUM DOOR ASSY	2

LONG DOOR ASSEMBLY



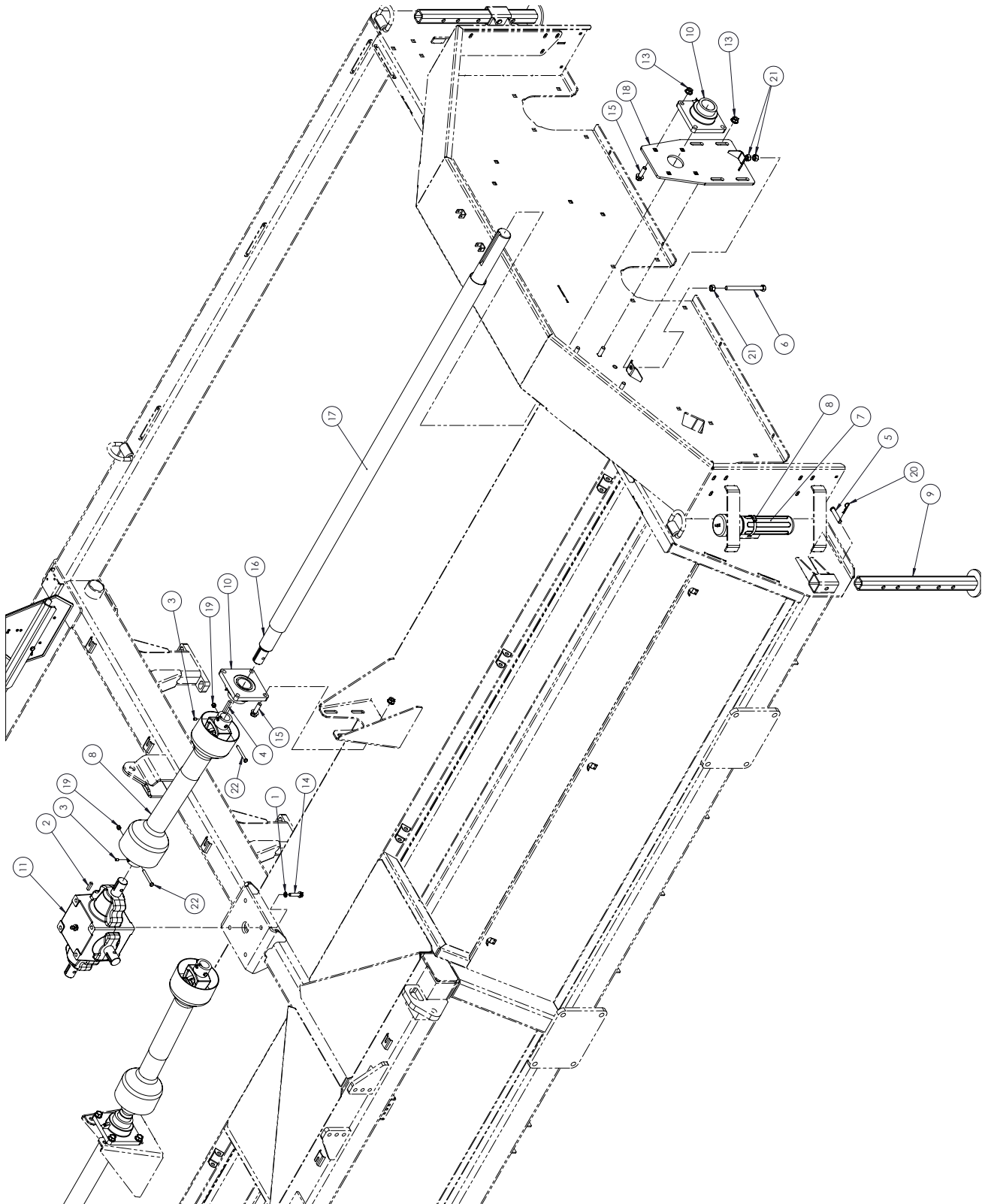
ITEM NO.	PART NUMBER	DESCRIPTION	QTY.
1	156850	BOLT, CRG 1/2-13 X 1-1/2"	6
2	600140	NUT, HFH NYLOC 1/2-13	6
3	621596	HINGE WLDT, FEMALE	2
4	622027	LATCH, DOOR	1
5	661536	LONG DOOR WELDMENT	1
6	1159920	SCREW, PHMS 10-24 X 1/2"	4
7	MP907302	NUT, LOCK #10-24 NYLOK	4

SHORT DOOR ASSEMBLY



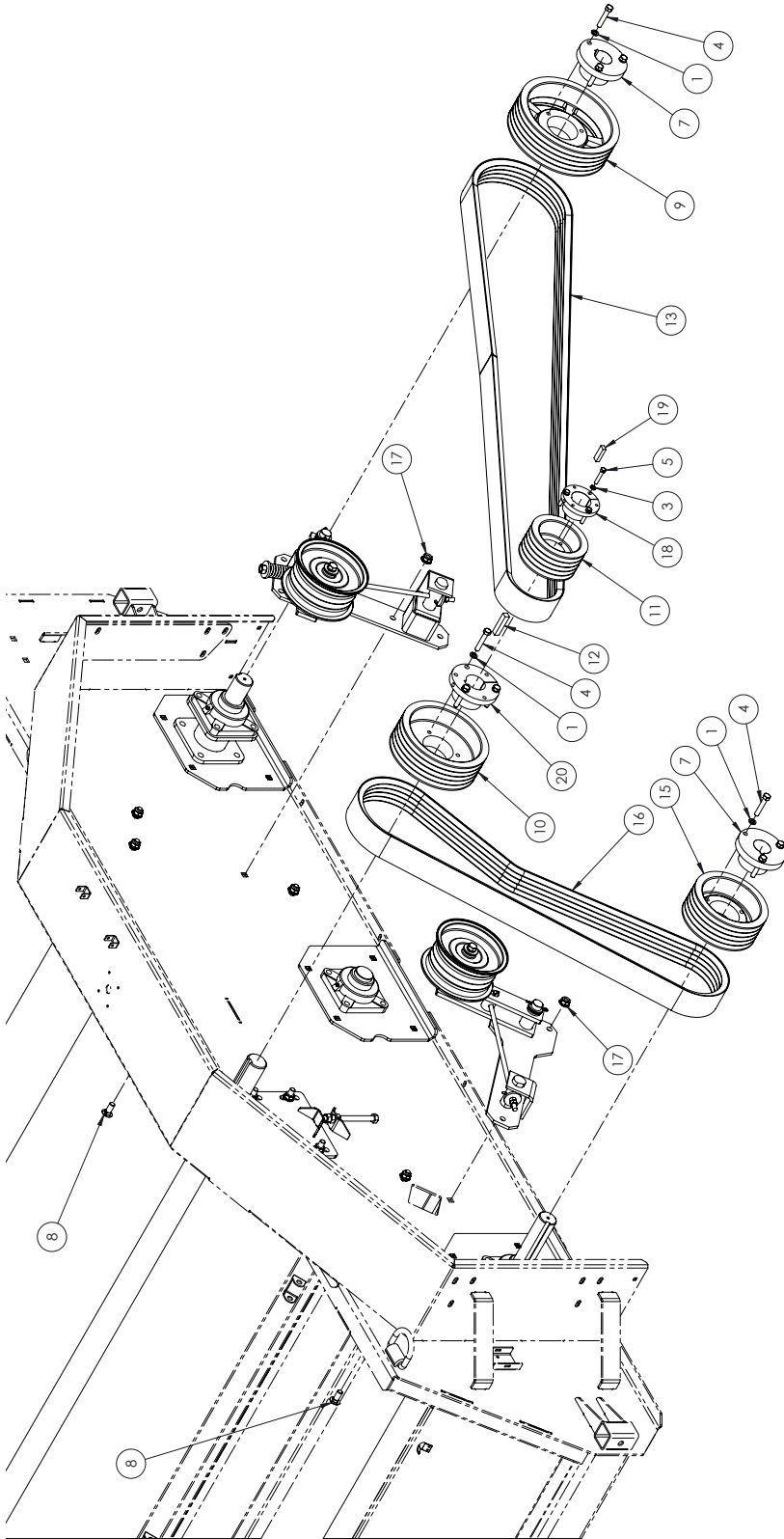
ITEM NO.	PART NUMBER	DESCRIPTION	QTY.
1	156850	BOLT, CRG 1/2-13 X 1-1/2"	6
2	600140	NUT, HFH NYLOC 1/2-13	6
3	621599	HINGE WLDT, FEMALE	2
4	622027	LATCH, DOOR	1
5	661532	SHORT DOOR WELDMENT	1
6	1159920	SCREW, PHMS 10-24 X 1/2"	4
7	MP907302	NUT, LOCK #10-24 NYLOK	2

GEARBOX ASSEMBLY

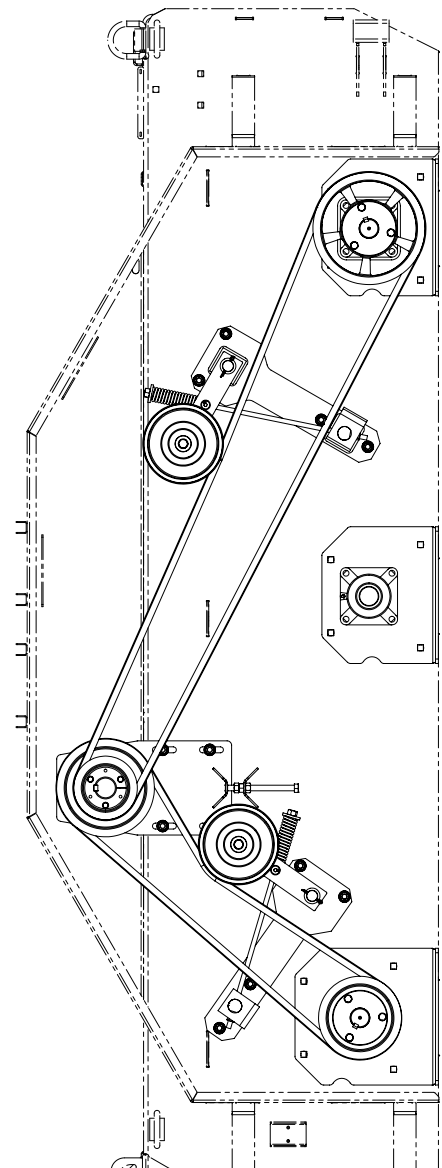


ITEM NO.	PART NUMBER	DESCRIPTION	QTY.
1	005370	WASHER, LOCK 1/2	4
2	006670	KEY, SQUARE 3/8 x 1-1/2	2
3	120970	SCREW, HSSS 3/8-16 X 1/2"	4
4	167920	KEY, SQ 3/8 x 2-1/2	2
5	216830	PIN, CLEVIS 5/8 x 3	4
6	242600	BOLT, HHCS 5/8-11 X 7-1/2"	2
7	449190	TUBE, MANUAL HOLDER	2
8	455160	CLAMP, HOSE	2
9	519070	JACK STAND	4
10	522980	BEARING, 2.44" 4BLT	4
11	552150	GEARBOX, 1:1.35 RATIO	1
12	552920	DRIVELINE, PTO	2
13	600150	NUT, HFH NYLOC 5/8-11	24
14	600240	BOLT, HFH 1/2-13 X 2.00"	4
15	600540	BOLT, HFH 5/8-11 X 2"	16
16	602440	SHAFT, OUTER LINE	2
17	609400	SHIELD, SPIN	2
18	661556	MOUNT, DRIVE BEARING	2
19	E552044	NUT, NYLOC 3/8-16	4
20	E580035	PIN, HAIR 1/8 X 2-3/8	4
21	I124589	NUT, HEX 5/8-11	6
22	I189304	BOLT, HHCS 3/8-16 X 3-1/4"	4

DRIVE ASSEMBLY, LH

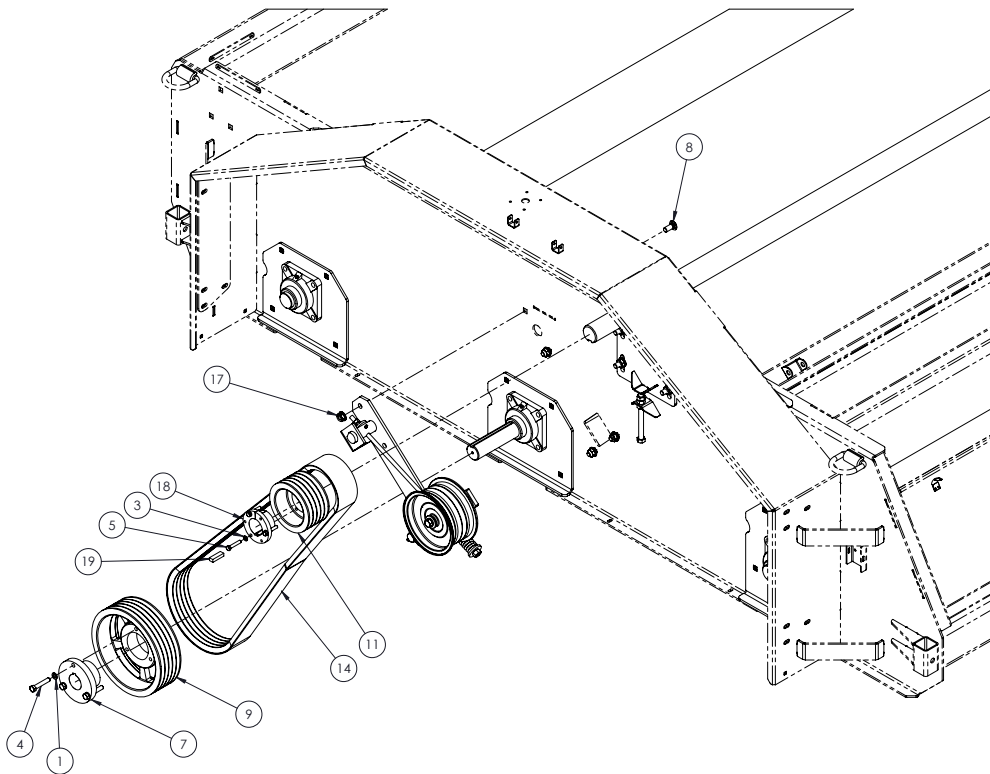


LEFT SIDE SHOWN

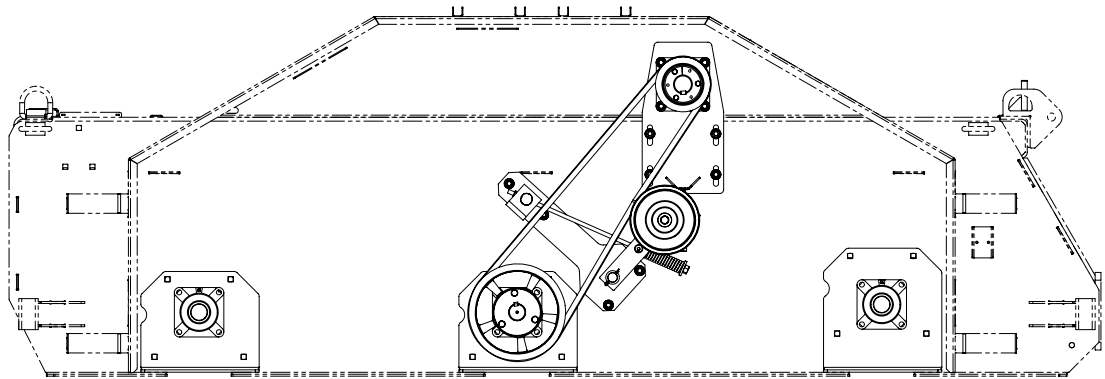


ITEM NO.	PART NUMBER	DESCRIPTION	QTY.
1	005370	WASHER, LOCK 1/2	12
2	010990	Screw, HSSS 5/16-18 x 5/16	2
3	021180	WASHER, LOCK 3/8	6
4	031580	BOLT, HHCS 1/2-13 X 2-3/4"	12
5	037790	BOLT, HHCS 3/8-16 X 2	6
6	120970	SCREW, HSSS 3/8-16 X 1/2"	1
7	225700	BUSHING, SPLIT TAPER	3
8	250140	BOLT, CRG 5/8-11 x 2-1/2	12
9	421960	SHEAVE, 5 GROOVE	2
10	522140	SHEAVE, 5 GROOVE	1

DRIVE ASSEMBLY, RH (CONTINUED)

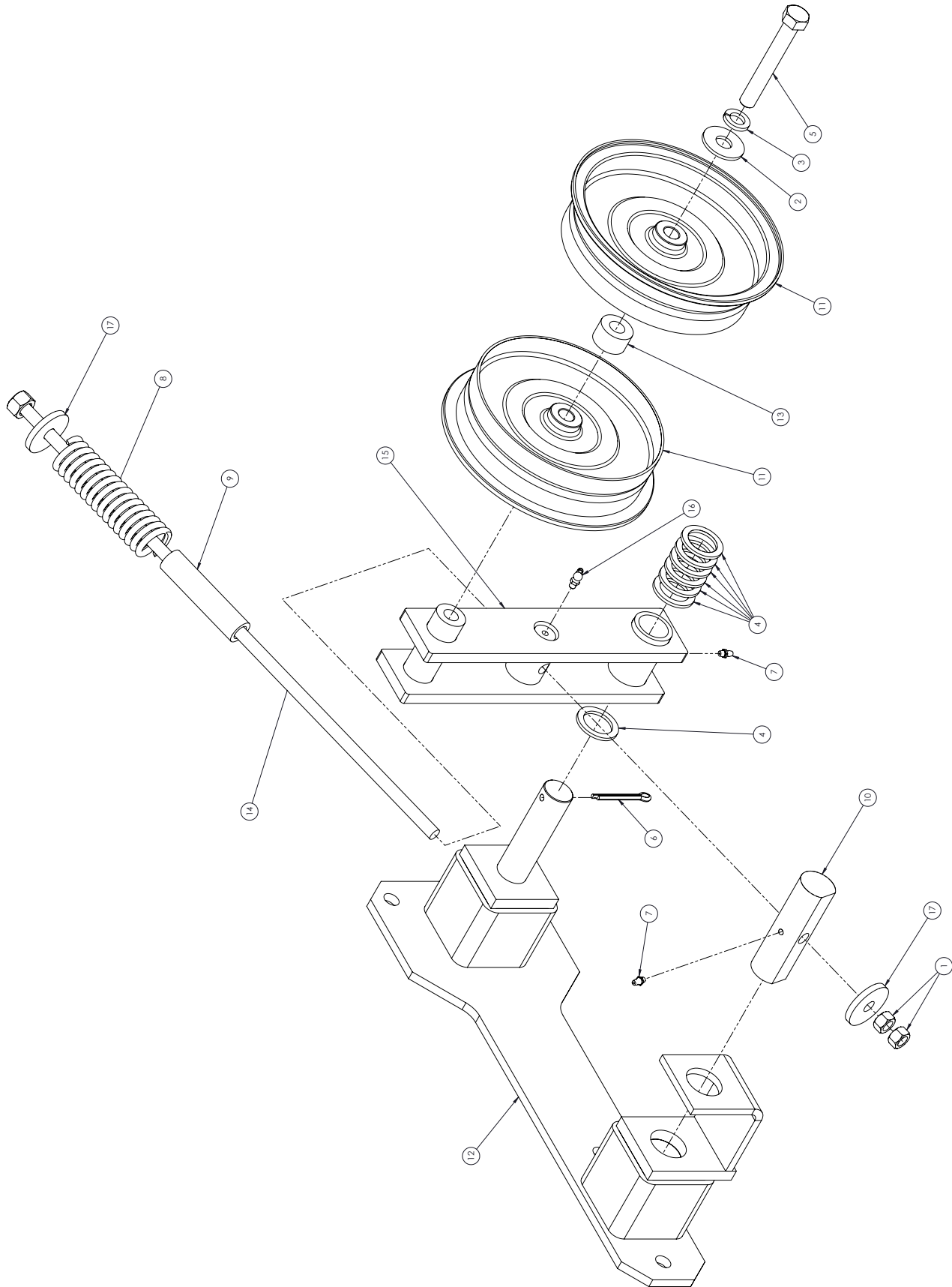


RIGHT SIDE SHOWN



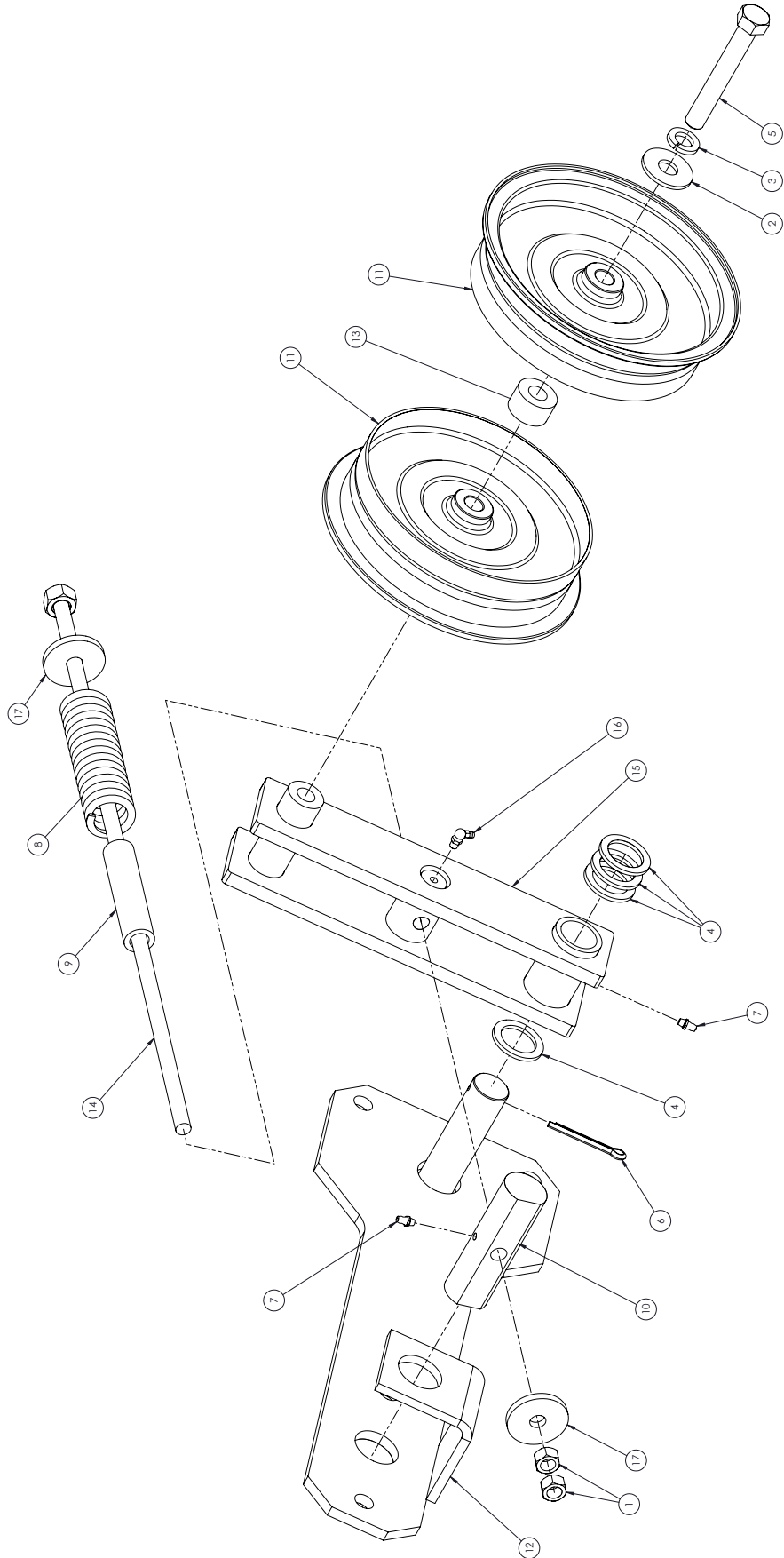
ITEM NO.	PART NUMBER	DESCRIPTION	QTY.
11	522150	SHEAVE, 5 GROOVE	2
12	524150	KEY, SQUARE	1
13	552850	BELT, 5-5V 170"	1
14	552890	BELT, 5-5V 106"	1
15	552900	SHEAVE, 5 GROOVE	1
16	567250	BELT, 5-5V 110"	1
17	600150	NUT, HFH NYLOC 5/8-11	12
18	602290	BUSHING, QD TYPE SF	2
19	602370	KEY, RECTANGLE	2
20	602380	BUSHING, QD TYPE E	1

TENSIONER ASSEMBLY



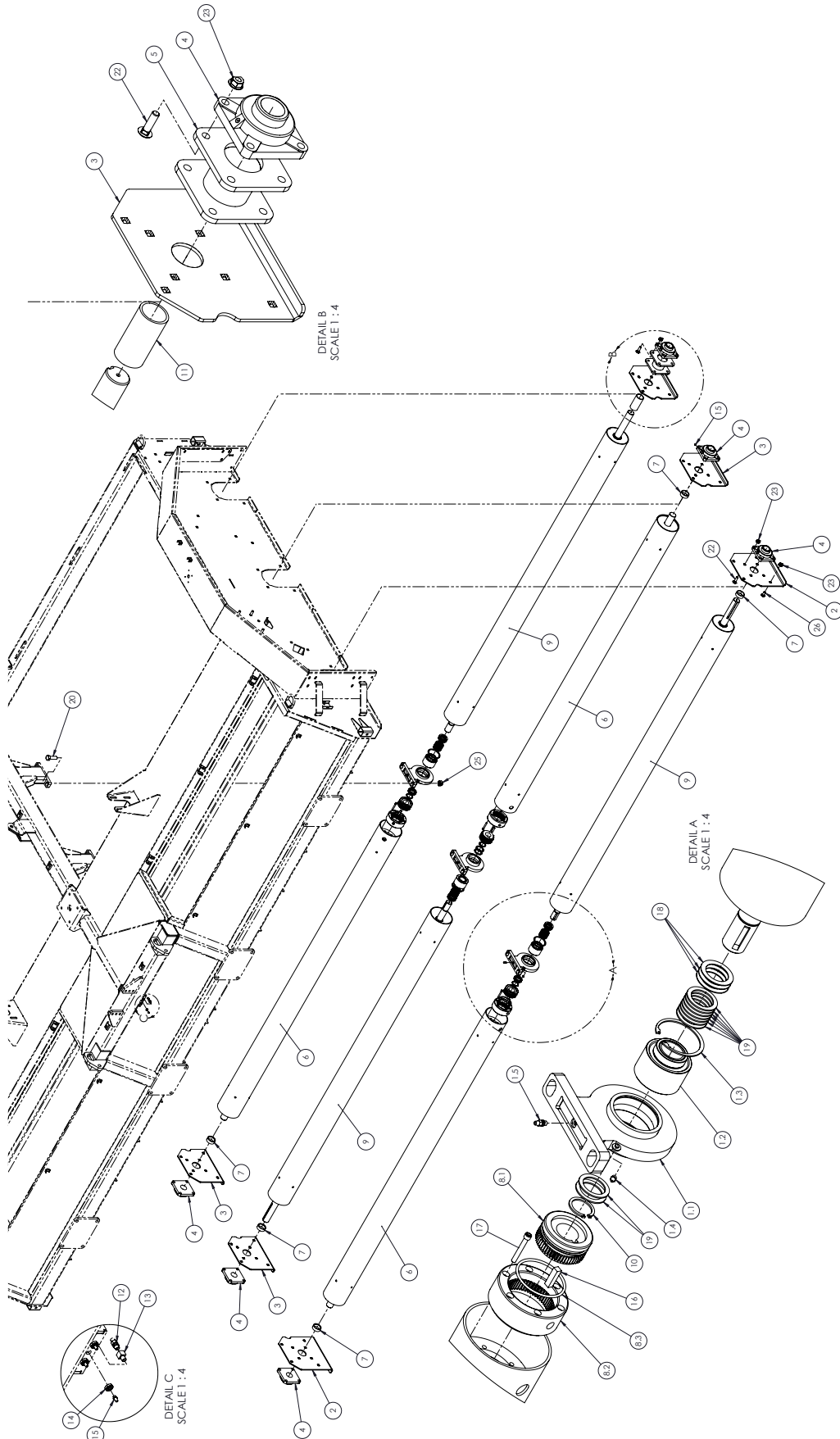
ITEM NO.	PART NUMBER	DESCRIPTION	QTY.
1	005360	NUT, HEX 1/2-13	2
2	020430	WASHER, FLAT 5/8 STD	1
3	020440	WASHER, LOCK 5/8	1
4	020880	WASHER, FLAT	7
5	028330	BOLT, HHCS 5/8-11 X 4-1/2"	1
6	114370	PIN, COTTER, 1/4" X 2" Z5	1
7	115590	FITTING, GREASE	2
8	231000	SPRING, COMPRESSION	1
9	239040	SPACER, SPRING	1
10	422110	SHAFT, LOWER PIVOT	1
11	566250	PULLEY, IDLER HALF	2
12	566760	ARM WLDT, IDLER	1
13	566780	BUSHING, IDLER	1
14	567010	ROD WLDT,	1
15	567260	ARM WLDT, IDLER	1
16	I19612R91	GREASE FITTING, 90 DEG TAP	1
17	I486801R1	WASHER, FLAT 1/2	2

TENSIONER ASSEMBLY



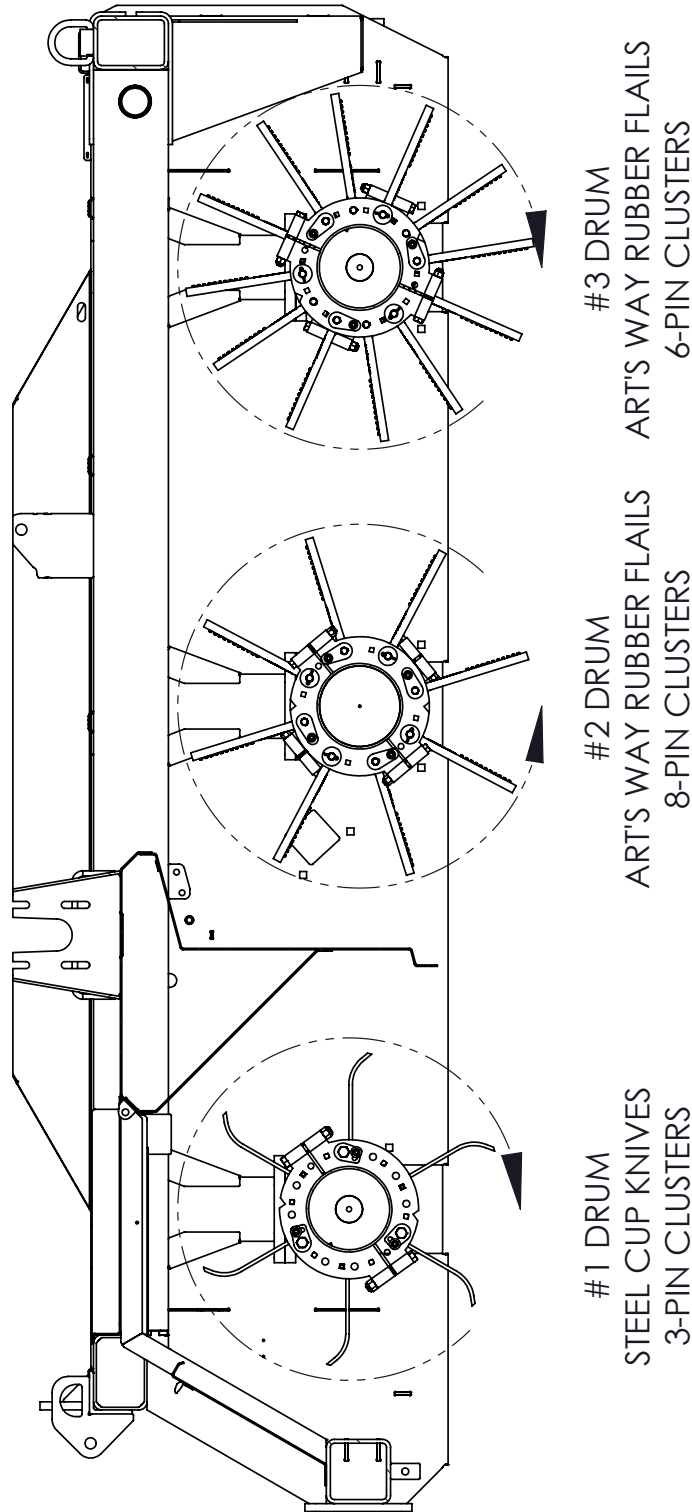
ITEM NO.	PART NUMBER	DESCRIPTION	QTY.
1	005360	NUT, HEX 1/2-13	2
2	020430	WASHER, FLAT 5/8 STD	1
3	020440	WASHER, LOCK 5/8	1
4	020880	WASHER, FLAT	4
5	028330	BOLT, HHCS 5/8-11 X 4-1/2"	1
6	114370	PIN, COTTER, 1/4" X 2" Z5	1
7	115590	FITTING, GREASE	2
8	231000	SPRING, COMPRESSION	1
9	239040	SPACER, SPRING	1
10	422110	SHAFT, LOWER PIVOT	1
11	566250	PULLEY, IDLER HALF	2
12	566750	ARM WLDT, IDLER	1
13	566780	BUSHING, IDLER	1
14	567010	ROD WLDT,	1
15	567260	ARM WLDT, IDLER	1
16	I19612R91	GREASE FITTING, 90 DEG TAP	1
17	I486801R1	WASHER, FLAT 1/2	2

ROLLER ASSEMBLY

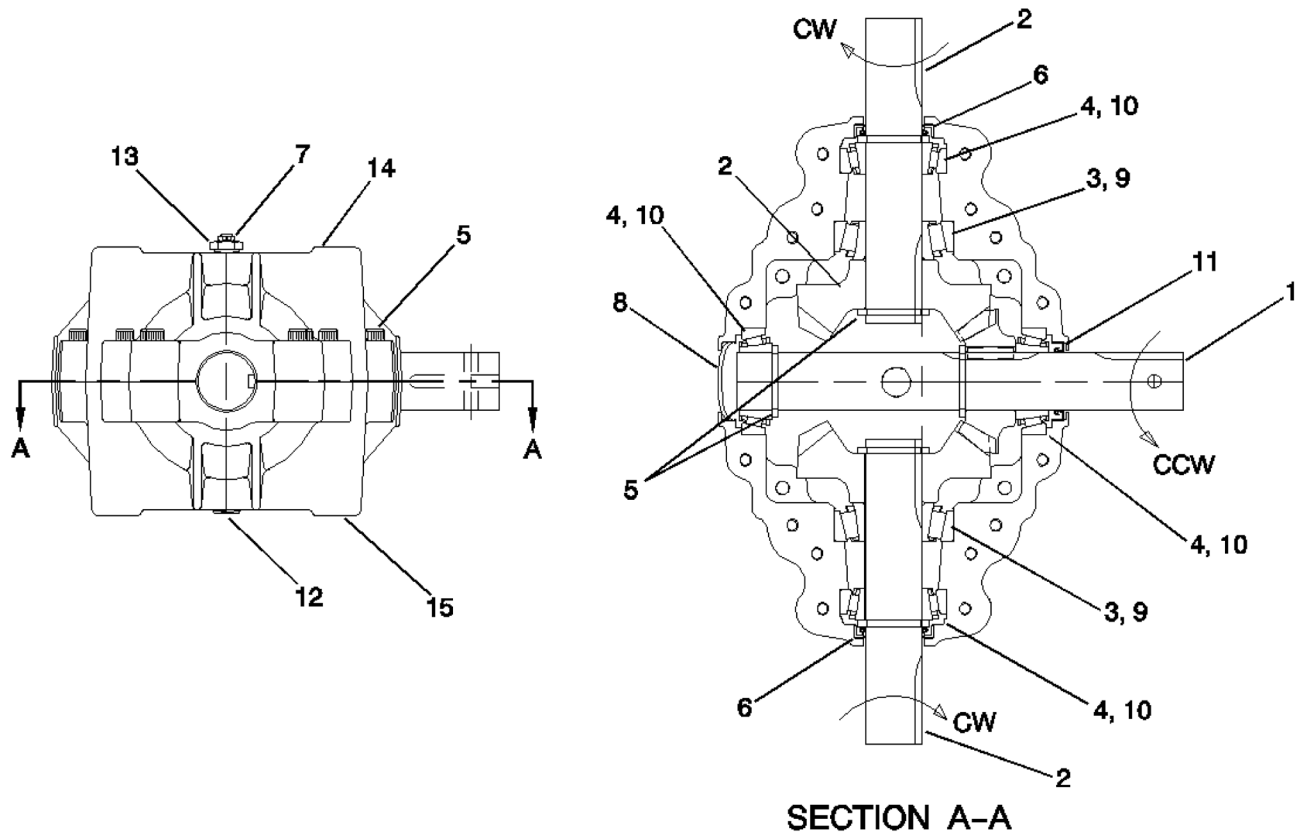


ITEM NO.	PART NUMBER	DESCRIPTION	QTY.
1	552840	HOLDER & CTR BRG ASSY	3
1.1	552810	HOLDER WLDT	1
1.2	503700	BEARING, 2.0"	1
1.3	503790	RING, SNAP 4.12 INT	1
1.4	013170	FITTING, GREASE STRAIGHT	1
1.5	HT78-47-0204	FITTING, GREASE STRAIGHT	1
2	535410	PLATE, BEARING	2
3	420790	PLATE, BEARING	4
4	R66250	BEARING, FLG 2.18"	6
5	581240	EXTENSION, BRG. WLDT	1
6	536150	ROTOR WLDT, REF ONLY	3
7	567330	BUSHING, SPACER	5
8	552790	COUPLING ASSY, REF ONLY	3
8.1	586260	COUPLER, INTERNAL	1
8.2	586250	COUPLER, EXTERNAL	1
8.3	2-347	O-RING, COUPLER	1
9	425090	ROTOR WLDT, REF ONLY	3
10	552860	SNAP RING, 2.00"	3
11	597530	SPACER, BUSHING	1
12	244260	FITTING, GREASE STRAIGHT	3
13	244280	CONNECTOR, BULKHEAD	3
14	244290	NUT, LOCK, BULKHEAD 1/8 NPSM	3
15	115590	FITTING, GREASE	9
16	477730	KEY, SQ. 1/2 x 1-7/8	3
17	537060	BOLT, SHCS 3/8-16 x 2.75 x 1.25	18
18	I21787R1	WASHER, FLAT 2.06 x 2.94 x .06	9
19	I21719R1	WASHER, FLAT 2.06 x 2.94 x .06	27
20	R66338	BOLT, HHCS 1-8 X 3"	6
21	I4331028	BOLT, CRG 5/8-11 X 1-3/4"	4
22	990760	BOLT, CRG 5/8-11 x 2-1/4	24
23	600150	NUT, HFH NYLOC 5/8-11	52
24	530890	NUT, LOCK 1-8	1
25	990510	NUT, LOCK 2-WAY 1-8	5
26	250140	RHSNBOLT 0.625-11 X 2.50 GR 5 ZN	24

ASSEMBLY

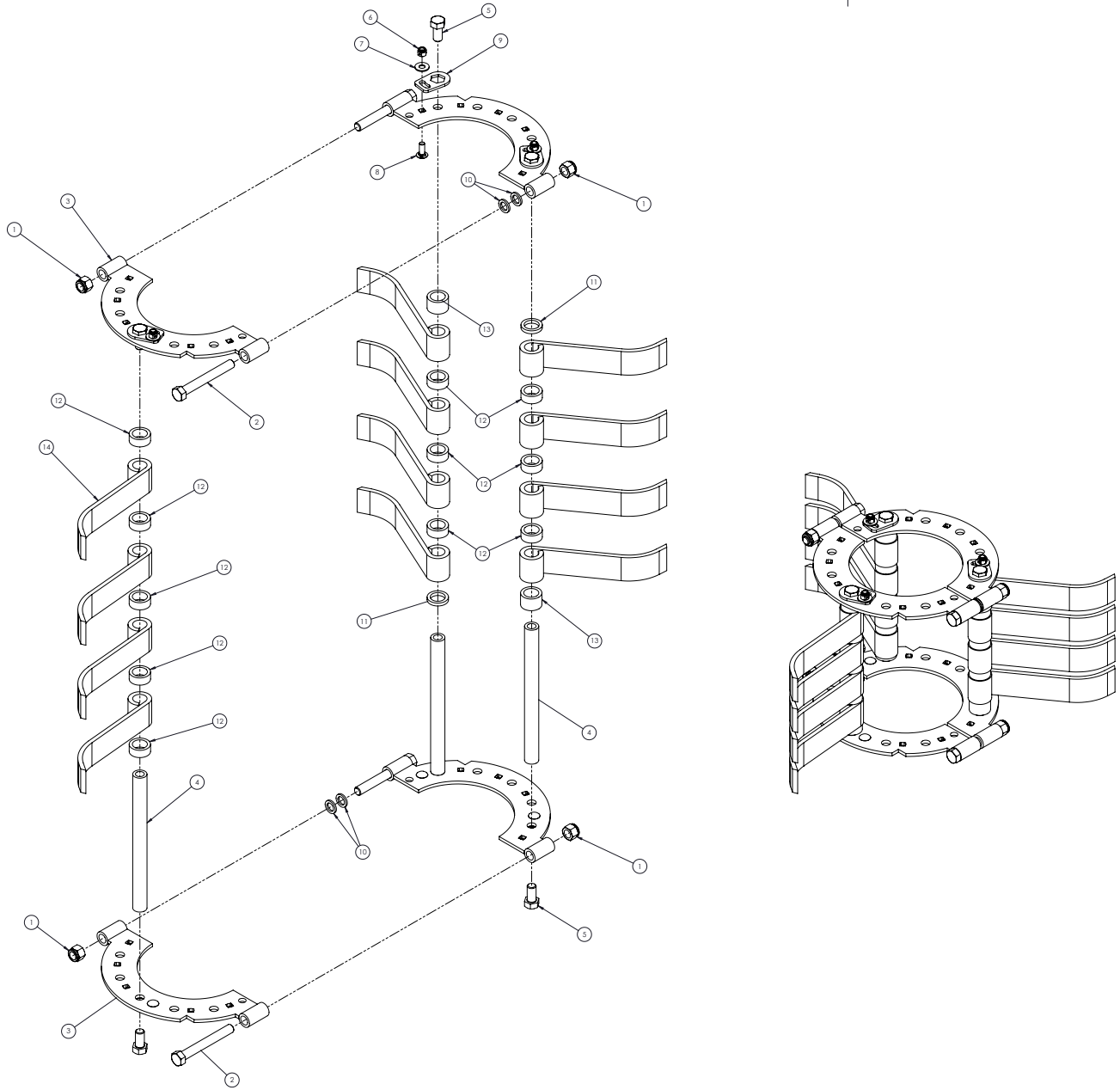


GEARBOX ASSEMBLY



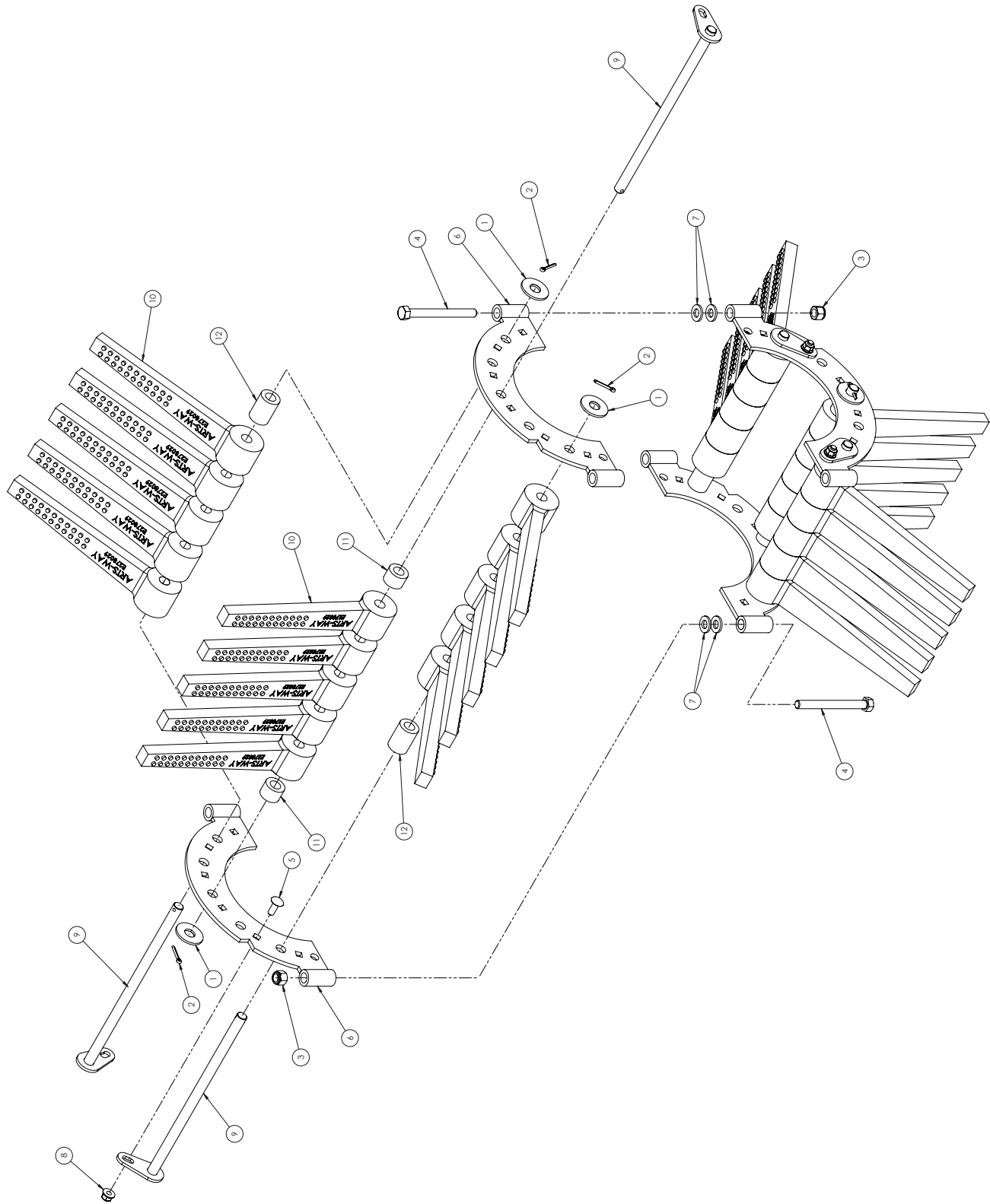
ITEM NO.	PART NUMBER	DESCRIPTION	QTY
1	556420P	GEAR, 20 TOOTH, CROSS SHAFT	1
2	556430P	GEAR, 27 TOOTH, STUB SHAFT	2
3	247730P	BEARING, HUB	2
4	247680P	CONE, BEARING	4
5	247830P	BOLT, 3/8-16 X 2-1/4 GR8	16
6	247670P	BEARING, 1-1/4 INCH BORE	2
7	247820P	PLUG, PRESSURE RELIEF	1
8	247840P	PLUG, END	1
9	E072317P	CUP, BEARING	2
10	247690P	CUP, BEARING	4
11	247660P	SEAL, OIL	3
12	247750P	PLUG, 1/2 NPT	1
13	247810P	BUSHING, 1/2 NPT TO 1/8 NPT	1
14	556410P	CASTING, TOP	1
15	556400P	CASTING, BOTTOM	1
-16	556440P	BEARING, CONE 22580 (NOT SHOWN)	1

STEEL CLUSTER ASSEMBLY



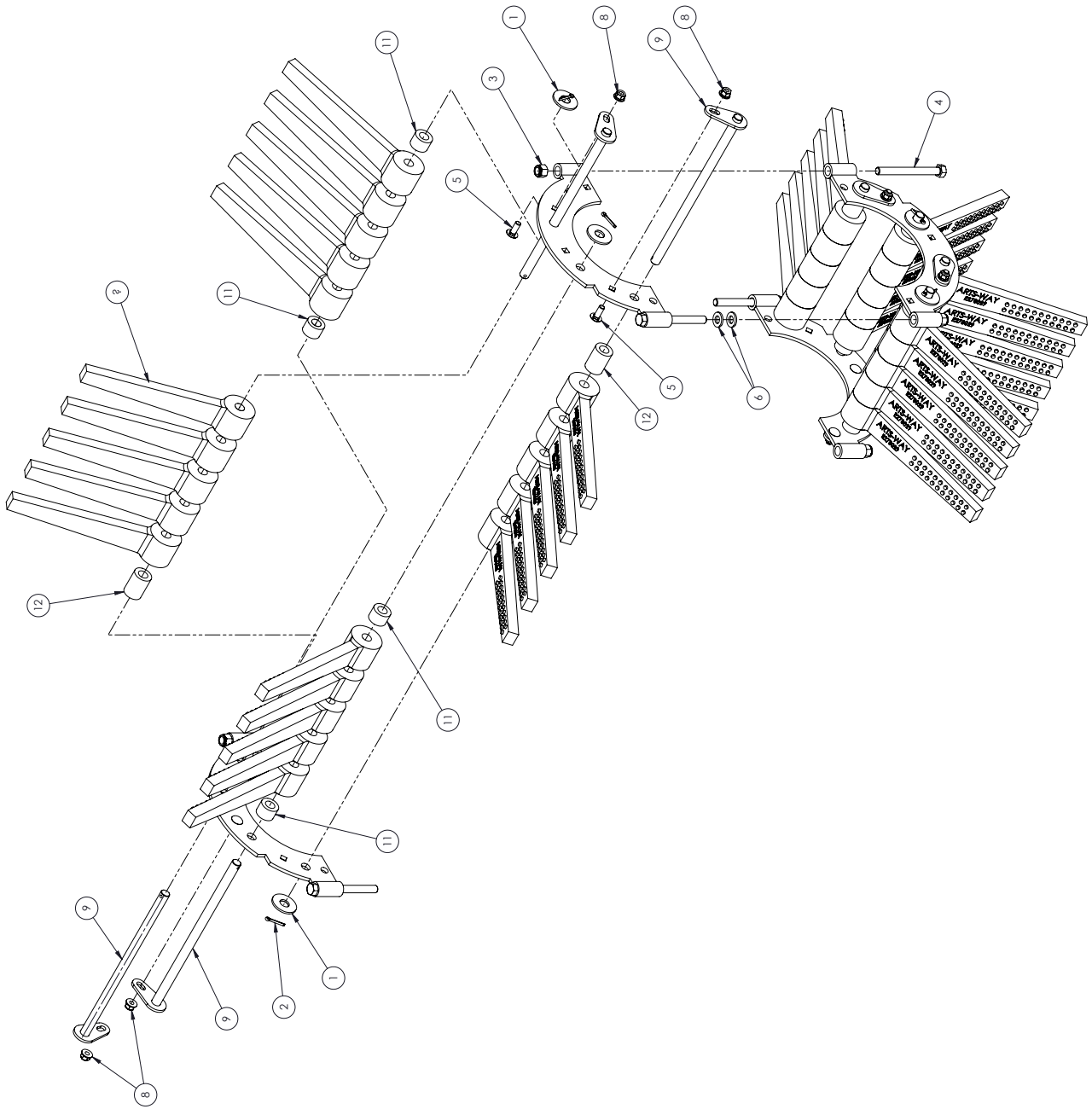
ITEM NO.	PART NUMBER	DESCRIPTION	QTY.
1	I19508R1	NUT, LOCK 5/8-11	4
2	031490	BOLT, HHCS 5/8-11 X 5"	4
3	537030	BRACKET WLDT	4
4	394280	PIN, STEEL CLUSTER	3
5	990600	BOLT, HHCS 5/8-11 X 1-1/4"	6
6	073630	NUT, LOCK 3/8-16	6
7	021190	WASHER, FLAT 3/8 STD	6
8	170530	BOLT, CRG 3/8-16 X 1"	6
9	510450	PLATE, BOLT RETAINER	6
10	452870	WASHER, FLAT 21/32 x 1 x 1/8	4
11	R41660	SPACER, BLADE	2
12	394290	SPACER	11
13	278970	SLEEVE, PIVOT	2
14	U50800004	KNIFE, 9-1/2"	12

ROTORCLUSTER ASSEMBLY, RUBBER FLAIL 6-PIN



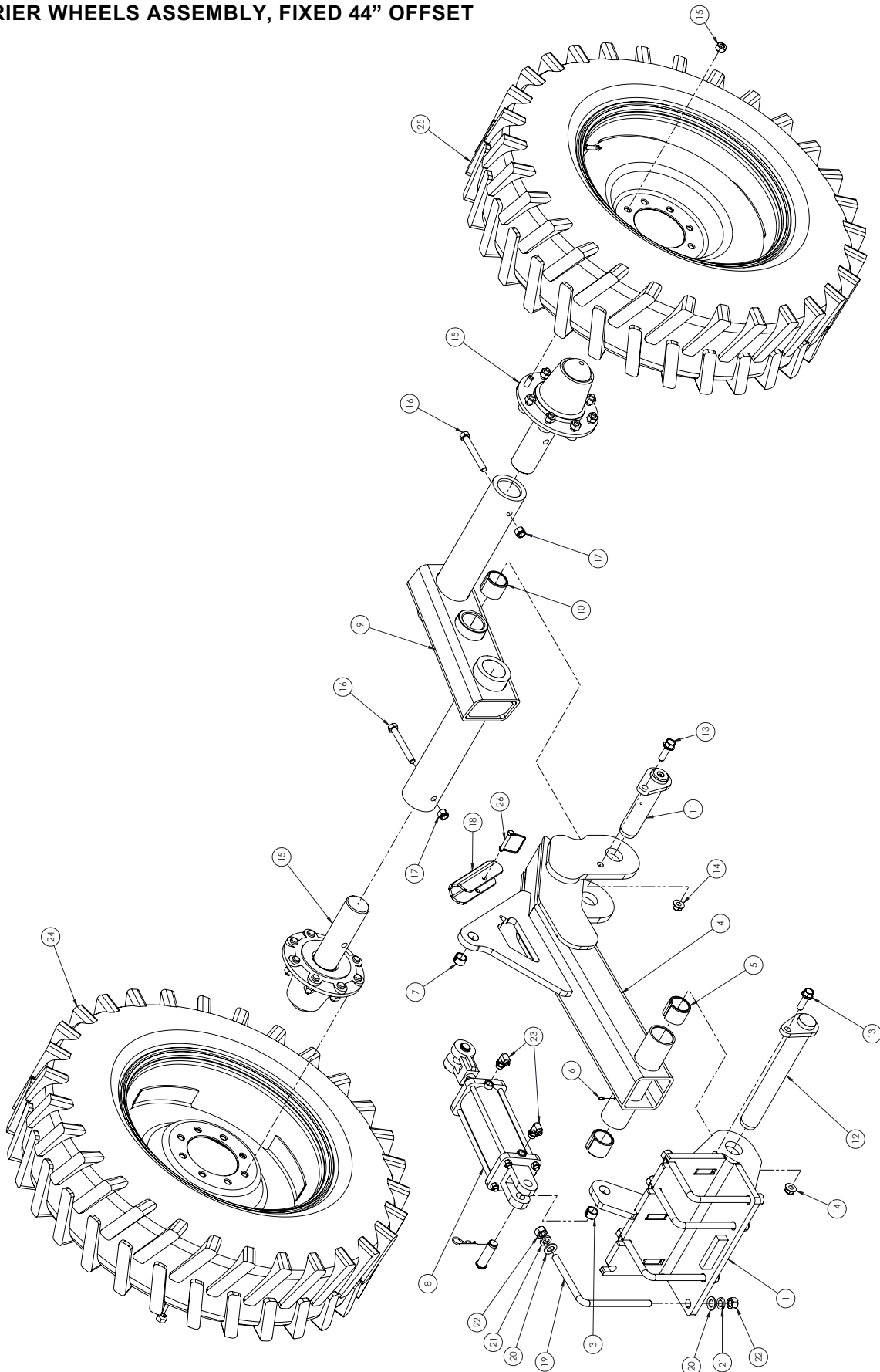
ITEM NO.	PART NUMBER	DESCRIPTION	QTY.
1	020430	WASHER, FLAT 5/8 STD	6
2	003450	COTTER PIN, 3/16 X 1-1/4	6
3	037540	NUT, LOCK 1/2-13 GR5 ZN NYLON	4
4	160350	BOLT, HHCS 1/2-13 x 5 GR5	4
5	170530	BOLT, CRG 3/8-16 X 1"	6
6	394210	BRACKET WLDT, FLAIL	4
7	469370	WASHER, FLAT 1/2"	4
8	600120	NUT, HFH NYLOC 3/8-16	6
9	619750	FLAIL PIN WELDMENT	6
10	E278029	FLAIL, RUBBER	30
11	E724311	SPACER, RUBBER 0.88"	4
12	E724312	SPACER, RUBBER 1.75"	4

CLUSTER ASSEMBLY, RUBBER 8 PIN



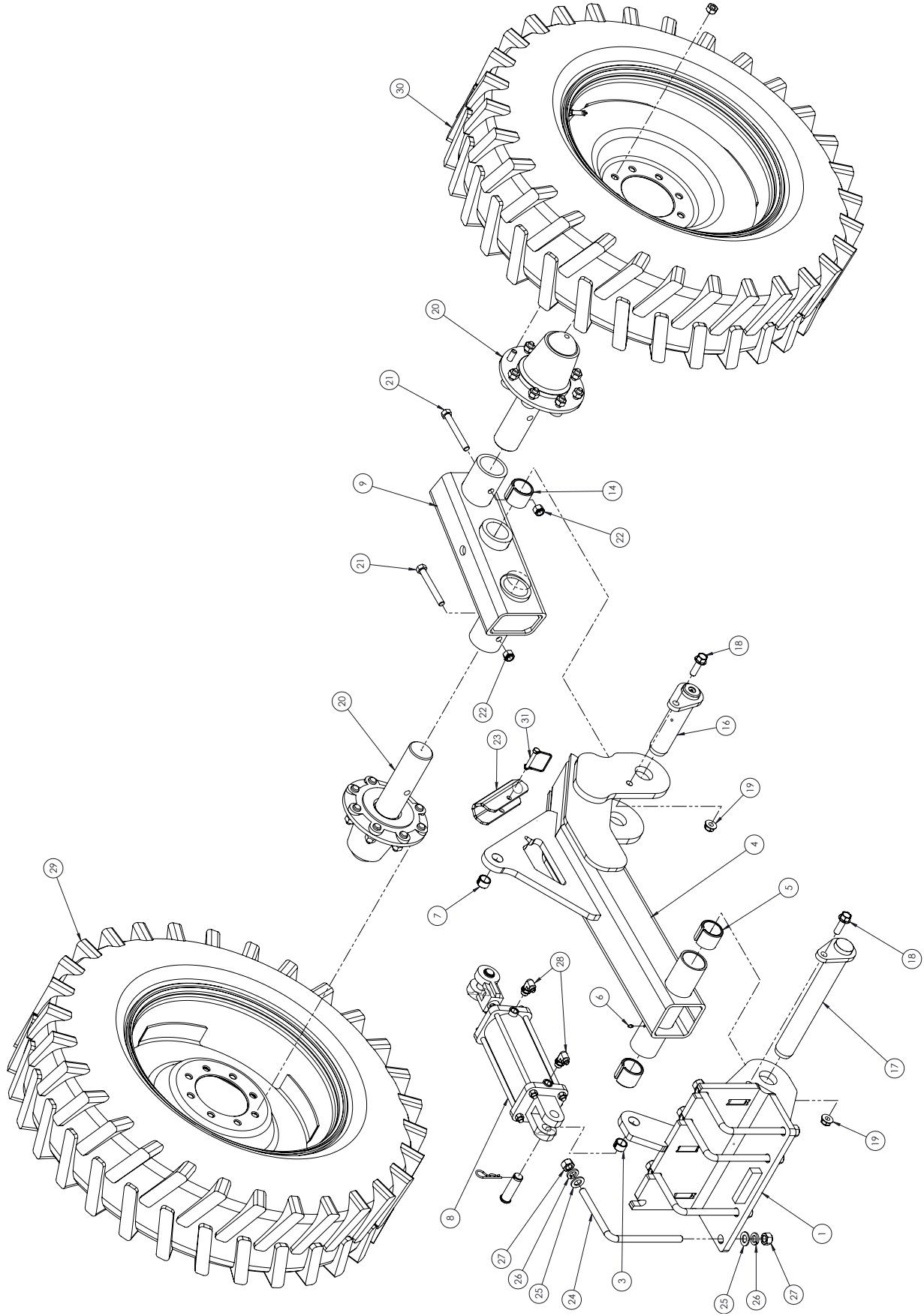
ITEM NO.	PART NUMBER	DESCRIPTION	QTY.
1	020430	WASHER, FLAT 5/8 STD	8
2	003450	COTTER PIN, 3/16 X 1-1/4	8
3	037540	NUT, LOCK 1/2-13 GR5 ZN NYLON	4
4	160350	BOLT, HHCS 1/2-13 x 5 GR5	4
5	170530	BOLT, CRG 3/8-16 X 1"	8
6	469370	WASHER, FLAT 1/2"	4
7	536070	BRACKET WELDMENT	4
8	600120	NUT, HFH NYLOC 3/8-16	8
9	619750	FLAIL PIN WELDMENT	8
10	E278029	FLAIL, RUBBER	40
11	E724311	SPACER, RUBBER 0.88"	8
12	E724312	SPACER, RUBBER 1.75"	4

CARRIER WHEELS ASSEMBLY, FIXED 44" OFFSET



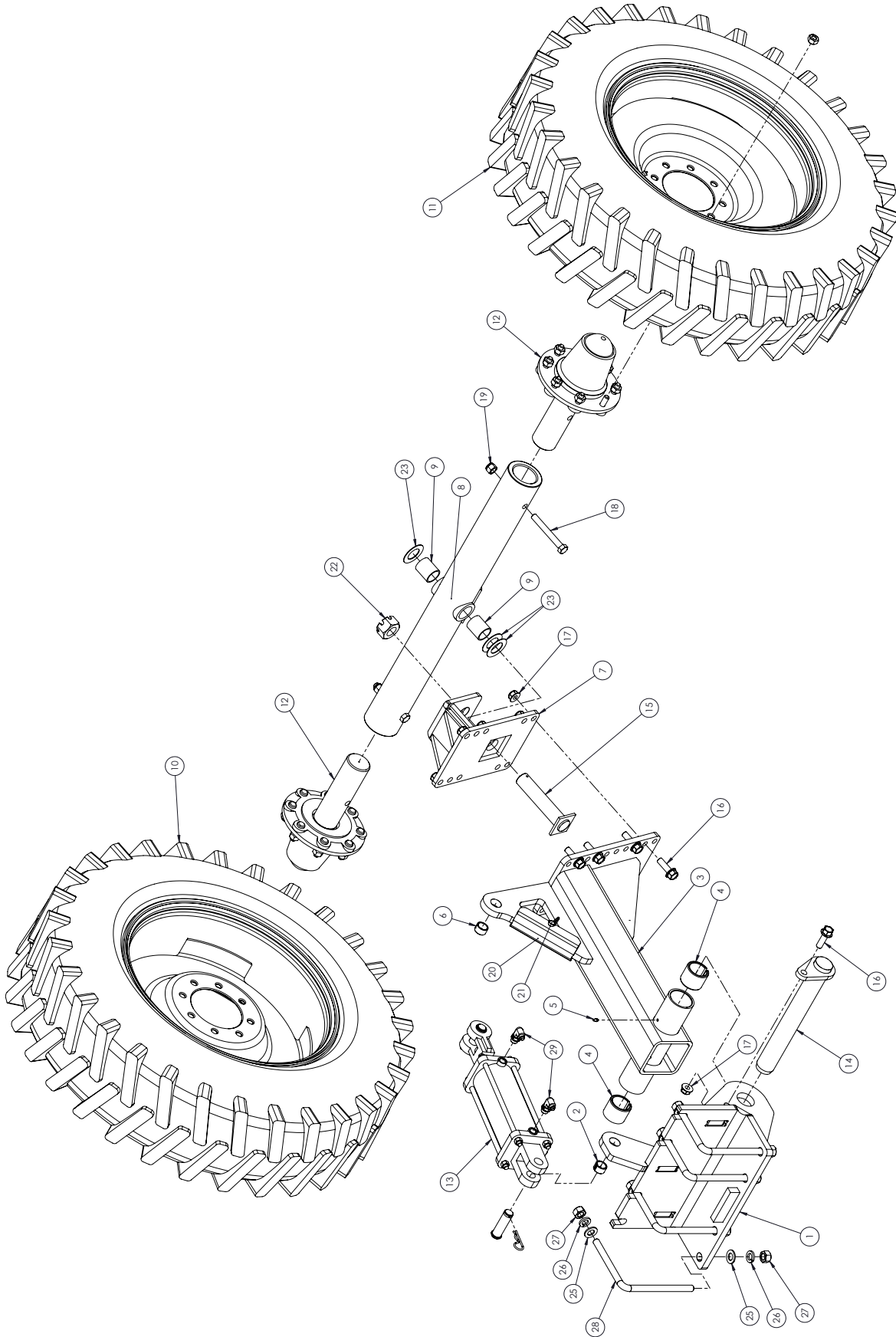
ITEM NO.	PART NUMBER	DESCRIPTION	QTY.
1	566400	MOUNT WLDT, REAR	1
2	566410	LUG, PIVOT	2
3	I1337411C1	BUSHING, 1.25 OD X 1.00 ID	1
4	566480	SUPPORT WLDT, AXLE	1
5	537610	BUSHING, TENSION	2
6	115590	FITTING, GREASE	1
7	I1337411C1	BUSHING, 1.25 OD X 1.00 ID	1
8	561940	CYLINDER, HYD 4 X 8	1
9	661580	BEAM WLDT, WIDE	1
10	537610	BUSHING, TENSION	2
11	660301	PIN WELDMENT, 8"	1
12	660302	PIN WELDMENT, 15"	1
13	600540	BOLT, HFH 5/8-11 X 2"	2
14	600150	NUT, HFH NYLOC 5/8-11	2
15	566695	SPINDLE & HUB ASSY	2
16	031490	BOLT, HHCS 5/8-11 X 5"	2
17	I19508R1	NUT, LOCK 5/8-11	2
18	567600	CYLINDER STOP, 8.00	1
19	403860	BOLT, "L"	4
20	I131017	WASHER, FLAT	8
21	036800	WASHER, LOCK 3/4 SAE	8
22	J14H794	NUT, HEX 3/4-10 GR5 ZN	8
23	I2185128	FITTING, HYD 90°	2
24	539780	TIRE & WHEEL, LH	1
25	539770	TIRE & WHEEL, RH	1
26	143710	PIN, SNAPPER	1
27	I1980543C1	PIN, HAIR 1/8 X 2-3/8	1

CARRIER WHEELS ASSEMBLY, FIXED 22" OFFSET



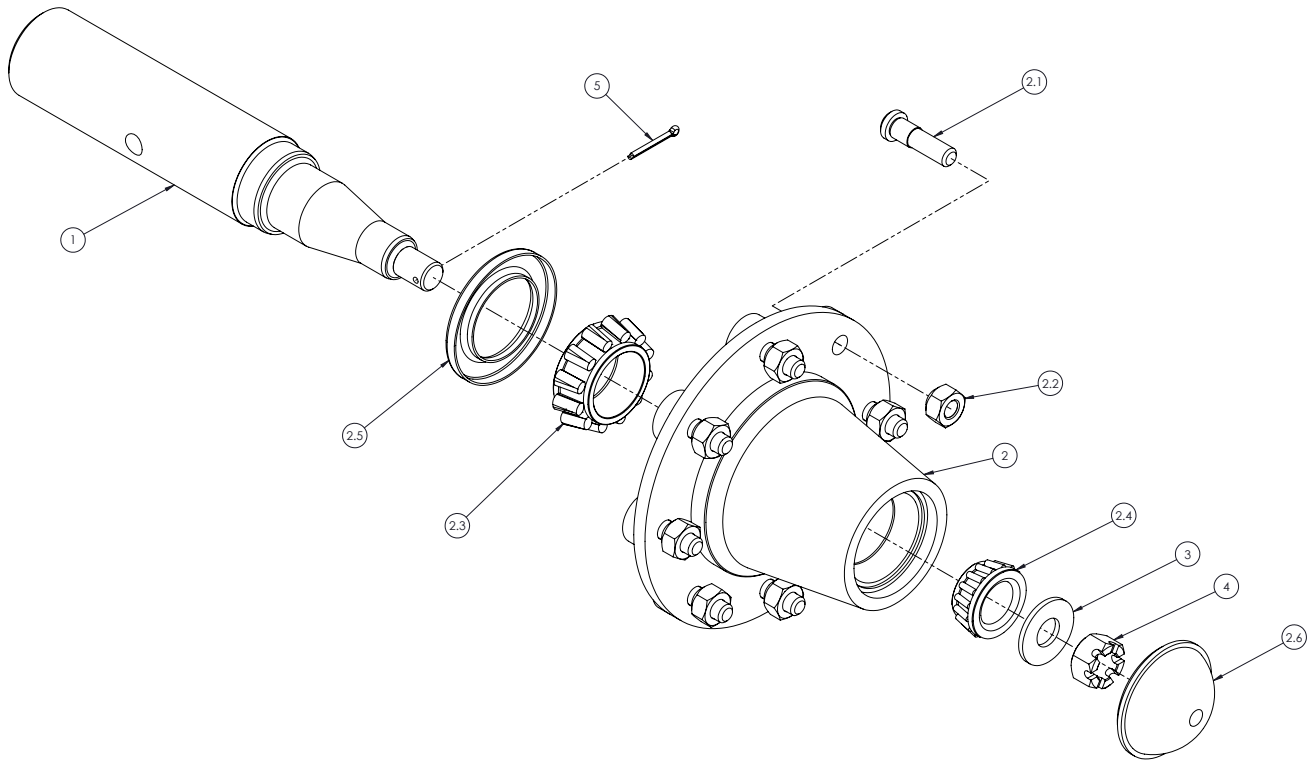
ITEM NO.	PART NUMBER	DESCRIPTION	QTY.
1	566400	MOUNT WLDT, REAR	1
2	566410	LUG, PIVOT	2
3	I1337411C1	BUSHING, 1.25 OD X 1.00 ID	1
4	566480	SUPPORT WLDT, AXLE	1
5	537610	BUSHING, TENSION	2
6	115590	FITTING, GREASE	1
7	I1337411C1	BUSHING, 1.25 OD X 1.00 ID	1
8	561940	CYLINDER, HYD 4 X 8	1
9	566350	BEAM WLDT	1
10	566380	TUBE, TANDEM	1
11	566370	TUBE, PIVOT	1
12	566360	TUBE, SPINDLE	2
13	567960	PLATE, TUBE END	2
14	537610	BUSHING, TENSION	2
15	115590	FITTING, GREASE	2
16	660301	PIN WELDMENT, 8"	1
17	660302	PIN WELDMENT, 15"	1
18	600540	BOLT, HFH 5/8-11 X 2"	2
19	600150	NUT, HFH NYLOC 5/8-11	2
20	566695	SPINDLE & HUB ASSY	2
21	031490	BOLT, HHCS 5/8-11 X 5"	2
22	I19508R1	NUT, LOCK 5/8-11	2
23	567600	CYLINDER STOP, 8.00	1
24	403860	BOLT, "L"	4
25	I131017	WASHER, FLAT	8
26	036800	WASHER, LOCK 3/4 SAE	8
27	J14H794	NUT, HEX 3/4-10 GR5 ZN	8
28	I2185128	FITTING, HYD 90°	2
29	539780	TIRE & WHEEL, LH	1
30	539770	TIRE & WHEEL, RH	1
31	143710	PIN, SNAPPER	1
32	I1980543C1	PIN, HAIR 1/8 X 2-3/8	1

CARRIER WHEELS ASSEMBLY,



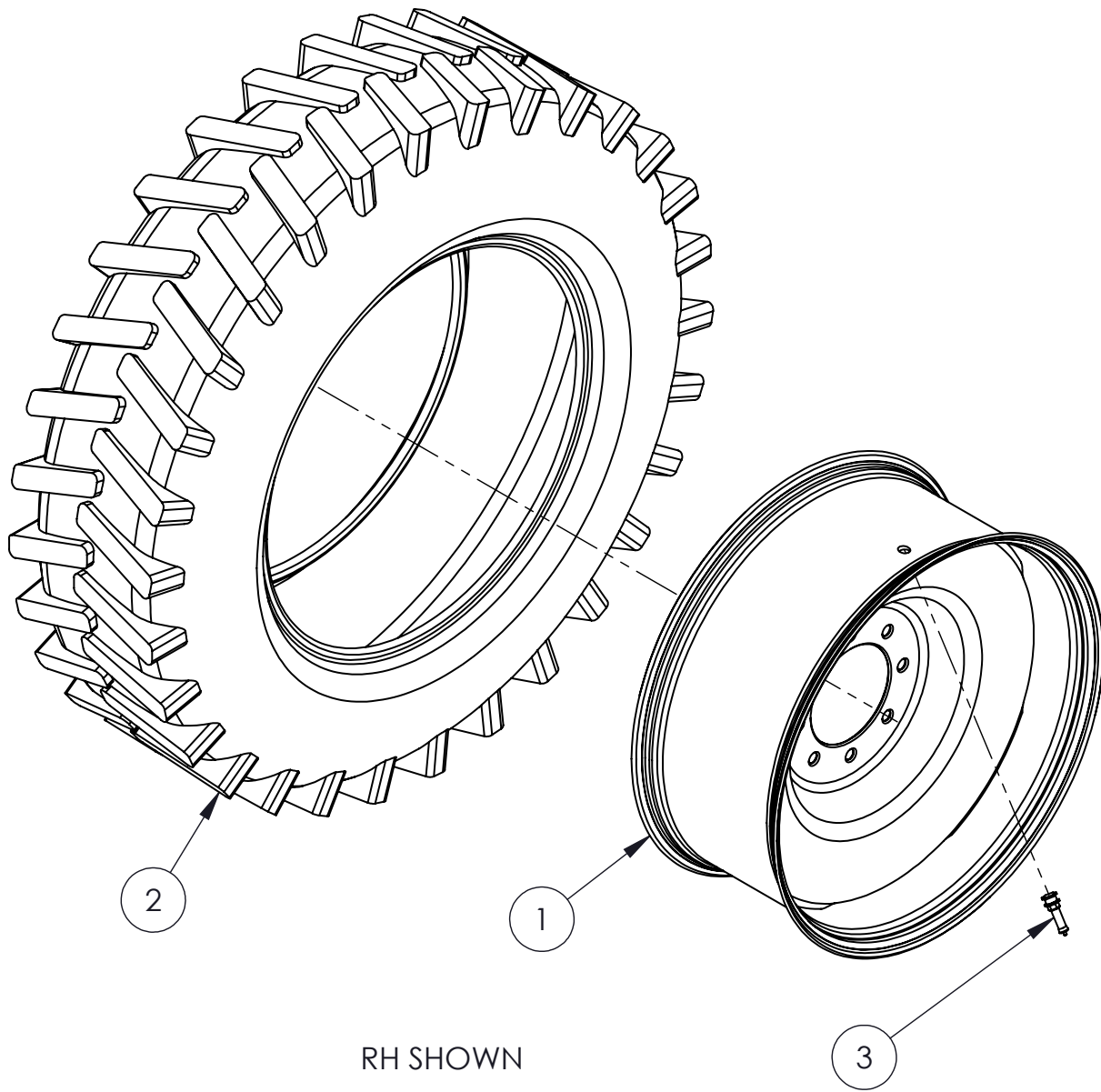
ITEM NO.	PART NUMBER	DESCRIPTION	QTY.
1	566400	MOUNT WLDT, REAR	1
2	I1337411C1	BUSHING, 1.25 OD X 1.00 ID	1
3	584270	SUPPORT WLDT, AXLE	1
4	537610	BUSHING, TENSION	2
5	115590	FITTING, GREASE	1
6	I1337411C1	BUSHING, 1.25 OD X 1.00 ID	1
7	251960	MOUNT WLDT, AXLE	1
8	268810	BEAM WLDT, AXLE 44"	1
9	044550	BUSHING, OILITE	2
10	539770	TIRE & WHEEL, RH	1
11	539780	TIRE & WHEEL, LH	1
12	566695	SPINDLE & HUB ASSY	2
13	561940	CYLINDER, HYD 4 X 8	1
14	660302	PIN WELDMENT, 15"	1
15	251860	PIVOT PIN	1
16	600540	BOLT, HFH 5/8-11 X 2"	9
17	600150	NUT, HFH NYLOC 5/8-11	9
18	031490	BOLT, HHCS 5/8-11 X 5"	2
19	I19508R1	NUT, LOCK 5/8-11	2
20	567600	CYLINDER STOP, 8.00	1
21	143710	PIN, SNAPPER	1
22	E552084	HSNUT 1.3750-6-D-N	1
23	JN2018M	WASHER, THRUST	3
24	E580042	COTTER PIN, 3/16 X 2 1/2	1
25	I131017	WASHER, FLAT	8
26	036800	WASHER, LOCK 3/4 SAE	8
27	J14H794	NUT, HEX 3/4-10 GR5 ZN	8
28	403860	BOLT, "L"	4
29	I2185128	FITTING, HYD 90°	2
30	561941	PIN, CLEVIS	1
31	I1980543C1	PIN, HAIR 1/8 X 2-3/8	1

CARRIER HUB & SPIN DLE ASSEMBLY



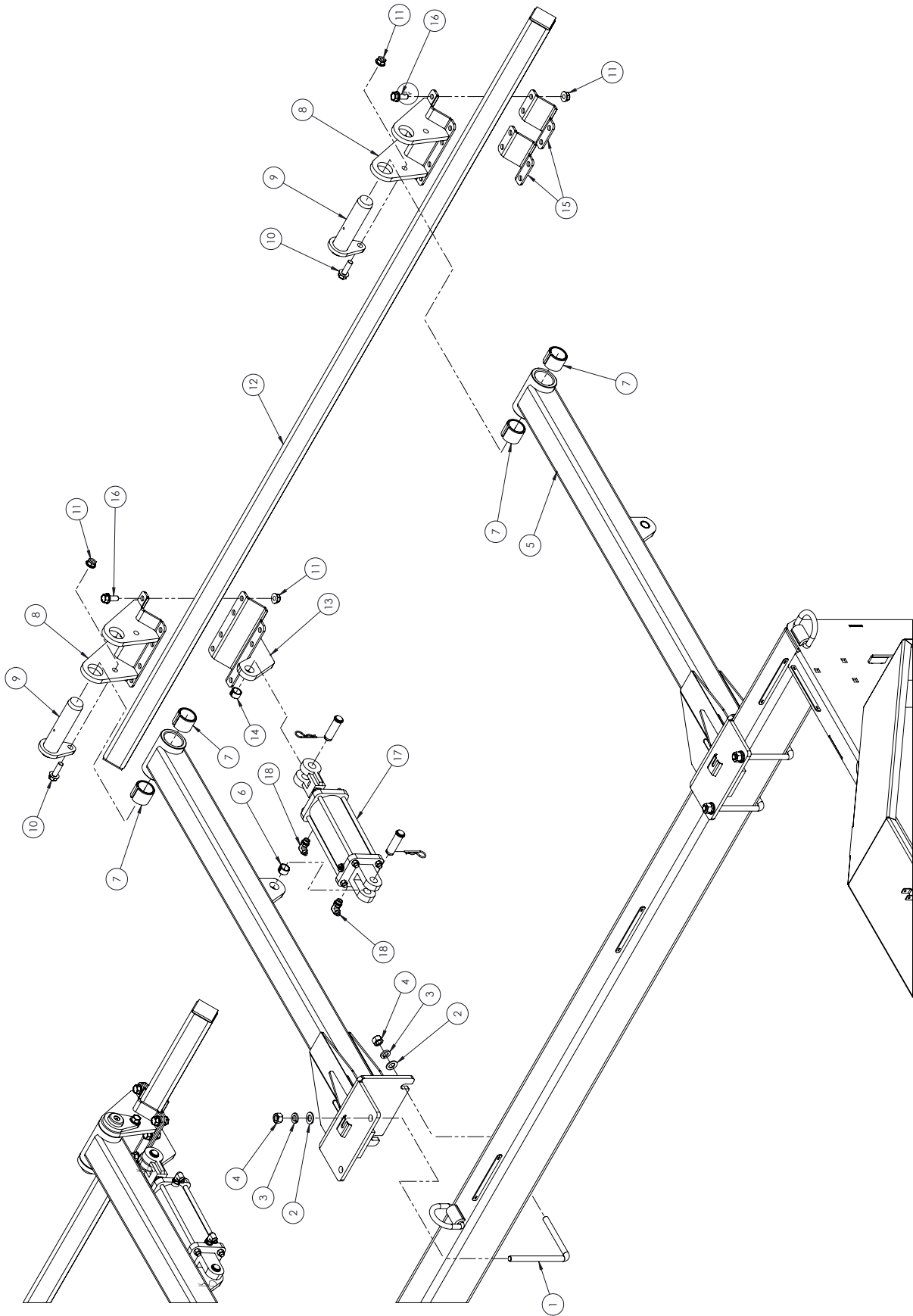
ITEM NO.	PART NUMBER	DESCRIPTION	QTY.
1	566690	SPINDLE, WHEEL	1
2	TG0760	HUB ASSY, 8 BOLT	1
2.1	046700	BOLT, STUD 9/16-18UNF	8
2.2	046710	NUT, WHEEL 9/16-18	8
2.3	E072316	BEARING, TAPER ROLLER	1
2.4	E072319	BEARING, TAPER ROLLER	1
2.5	TG0770	SEAL, GREASE	1
2.6	129840	CAP, HUB	1
3	V030620	WASHER, FLAT	1
4	129830	NUT, SLOTTED 7/8-14	1
5	026630	COTTER PIN, 5/32 X 1-1/2	1

CARRIER WHEEL & TIRE ASSEMBLY



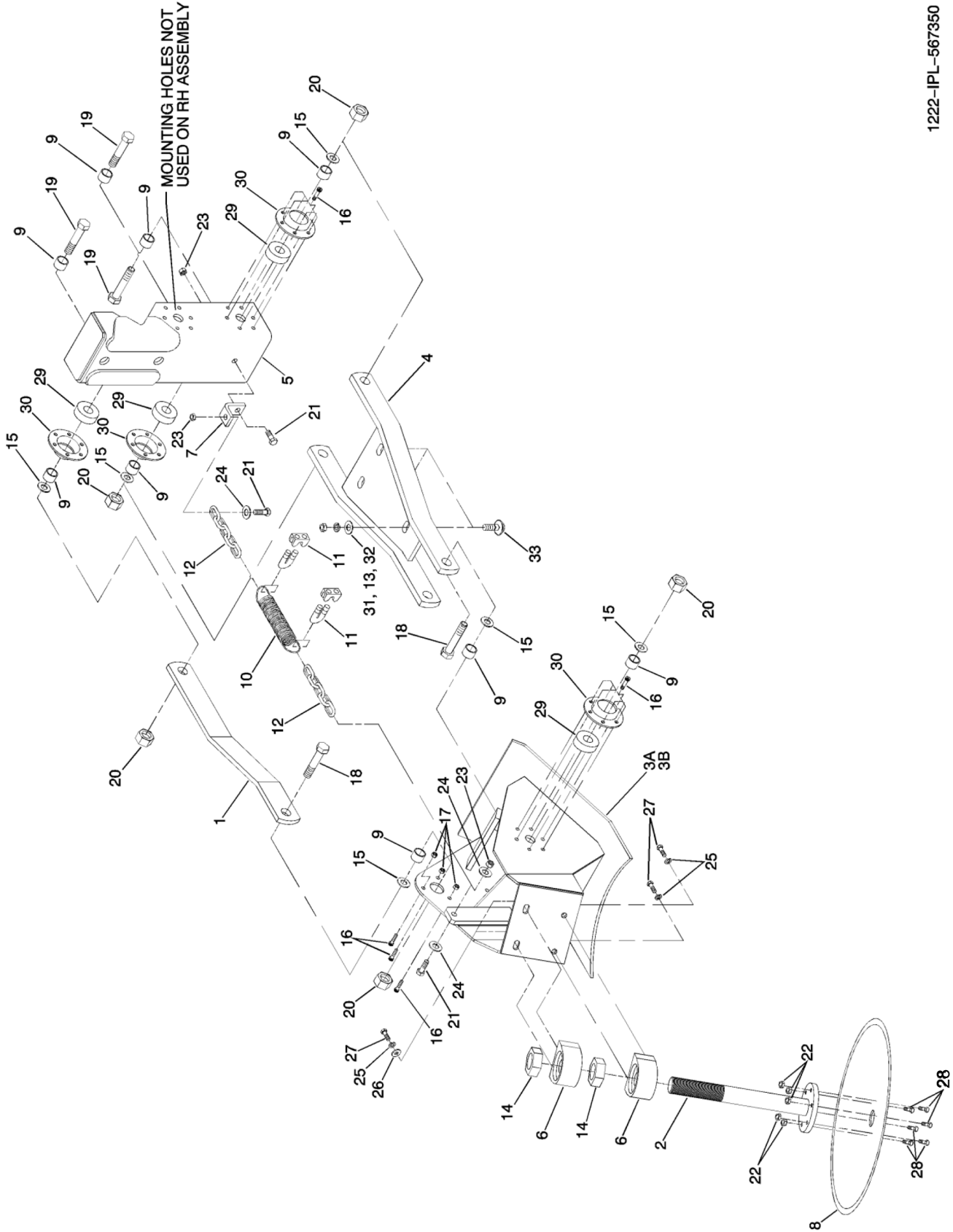
ITEM NO.	PART NUMBER	DESCRIPTION	QTY.
1	555670	RIM, 1.50" NEG. OFFSET	1
2	552960	TIRE, 12.4-24, 8 PLY	1
3	269490	STEEL VALVE STEM	1

SCALPER TOOLBAR ASSEMBLY



ITEM NO.	PART NUMBER	DESCRIPTION	QTY.
1	403860	BOLT, "L"	8
2	I131017	WASHER, FLAT	16
3	036800	WASHER, LOCK 3/4 SAE	16
4	J14H794	NUT, HEX 3/4-10 GR5 ZN	16
5	661590	SCALPER ARM WELDMENT	4
6	I1337411C1	BUSHING, 1.25 OD X 1.00 ID	1
7	537610	BUSHING, TENSION	2
8	661595	TOP ARM CLAMP WLDT	4
9	660301	PIN WELDMENT, 8"	4
10	600540	BOLT, HFH 5/8-11 X 2"	4
11	600150	NUT, HFH NYLOC 5/8-11	36
12	535580	TOOLBAR, WLDT	2
13	661598	CLAMP WLDT, LOWER	2
14	I1337411C1	BUSHING, 1.25 OD X 1.00 ID	1
15	535070	BRACKET	4
16	600210	BOLT, HFH 5/8-11	32
17	561940	CYLINDER, HYD 4 X 8	2
18	I2185128	FITTING, HYD 90°	4
19	561941	PIN, CLEVIS	2
20	I1980543C1	PIN, HAIR 1/8 X 2-3/8	2

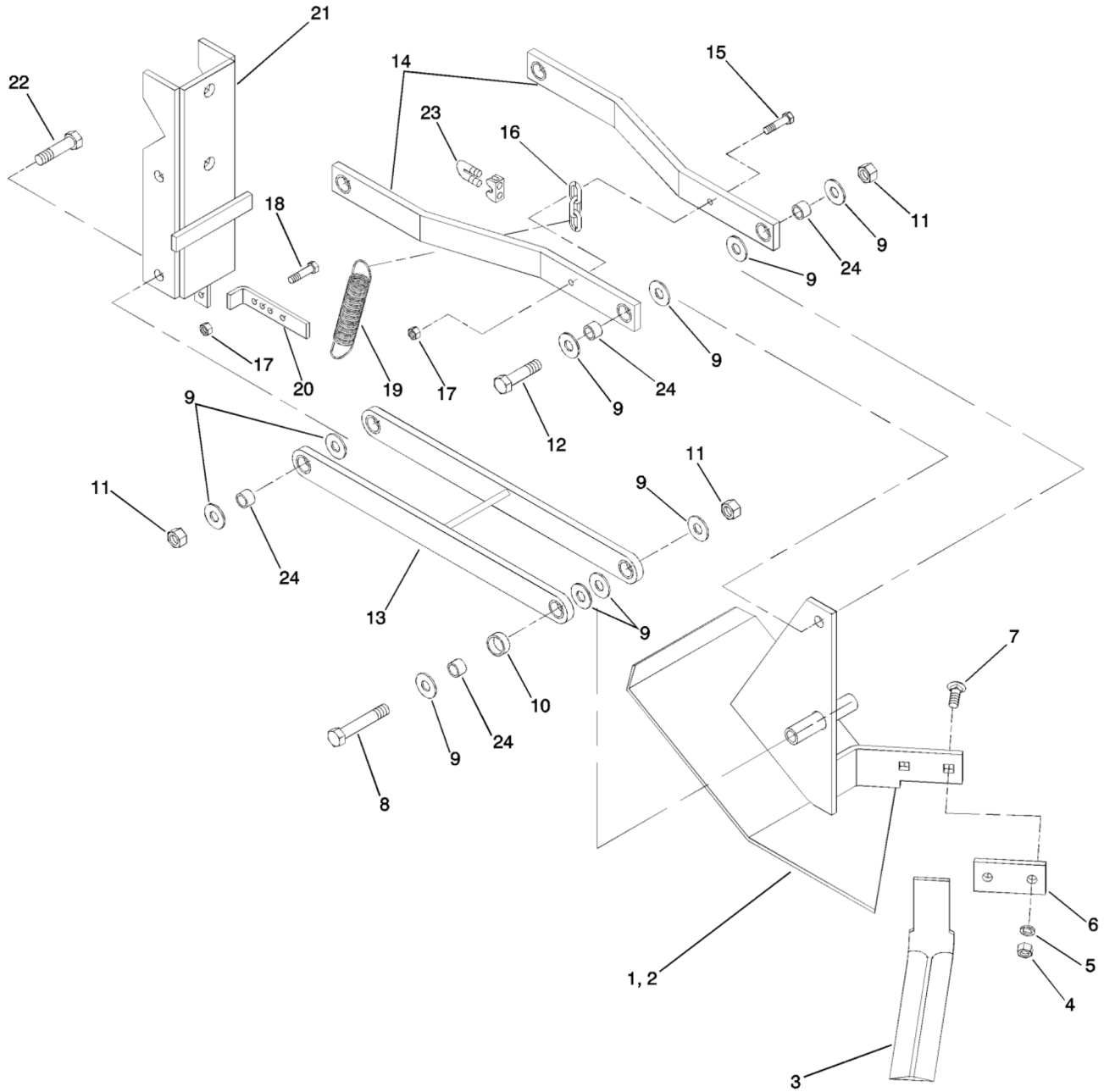
DISK SCALPER ASSEMBLY, LH & RH



1222-IPL-567350

ITEM NO.	PART NUMBER	DESCRIPTION	QTY.
1	510250	BAR, ARM	1
2	510330	SHAFT WLDT.	1
3A	510380	SHOE WLDT. LH (USED ON 510410 SCALPER ASSY, LH)	1
3B	510400	SHOE WLDT. RH (USED ON 510420 SCALPER ASSY, RH)	1
4	512080	CHANNEL WLDT.	1
5	510540	BRACKET WLDT.	1
6	510550	BEARING, 1-1/4 BORE	2
7	510440	ANGLE, SPRING MOUNT	1
8	510430	DISC, 14 INCH CONCAVE	1
9	512050	SPACER	10
10	E738016	SPRING, EXTENSION	1
11	335340	CLAMP, SPRING	2
12	211720	CHAIN, 5-LINS	2
13	005370	WASHER, LOCK 1/2 ZN	3
14	TG0676	NUT, 1-1/4 JAM	2
15	I131017	WASHER, FLAT, 3/4 INCH SAE	AR
16	512040	BOLT, SHCS (HEX) 5/16-18 X 3/4	36
17	181570	NUT, LOCK 5/16-18 HEX NYLON	36
18	990860	BOLT, 3/4 X 2-3/4	2
19	990830	BOLT, 3/4 X 3-1/2	4
20	1100238	NUT, 3/4 NYLOC	6
21	006690	BOLT, 3/8 X 1-1/4	3
22	037550	NUT, LOCK 1/4-20 HEX	6
23	073630	NUT, 3/8 NYLOC	3
24	021190	WASHER, 3/8 FLAT	4
25	023990	WASHER, 7/16 LOCK	4
26	P99549	WASHER, 7/16 FLAT	2
27	128000	BOLT, 7/16 X 1	4
28	042960	BOLT, 1/4 X 1	6
29	510580	BEARING, 3/4 INCH BORE	6
30	510570	HUB, BEARING HOUSING	6
31	005360	NUT, HEX 1/2-13 GR5 ZN	3
32	005200	WASHER, FLAT 1/2 STD.	3
33	E096046	BOLT, CRG 1/2-13 X 1-1/2 GR5	3

SCALPER ASSEMBLY, MECHANICAL KNIFE

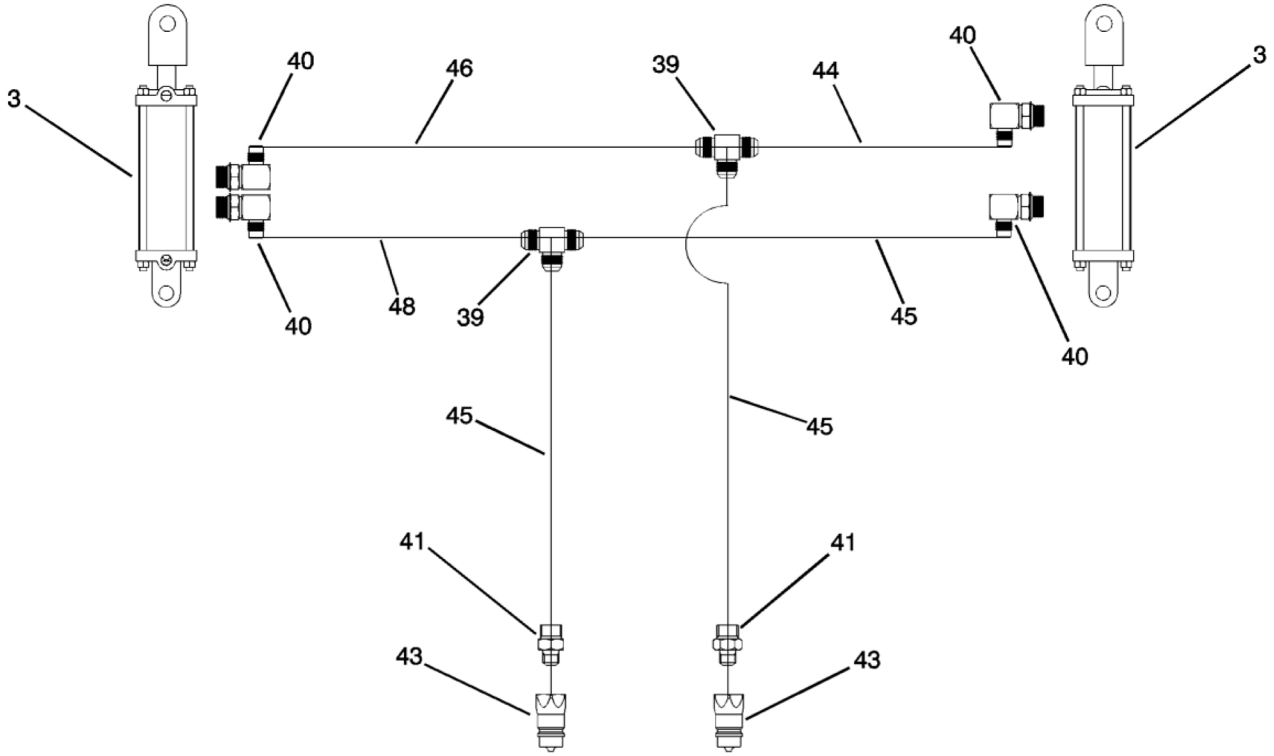


NOTE:

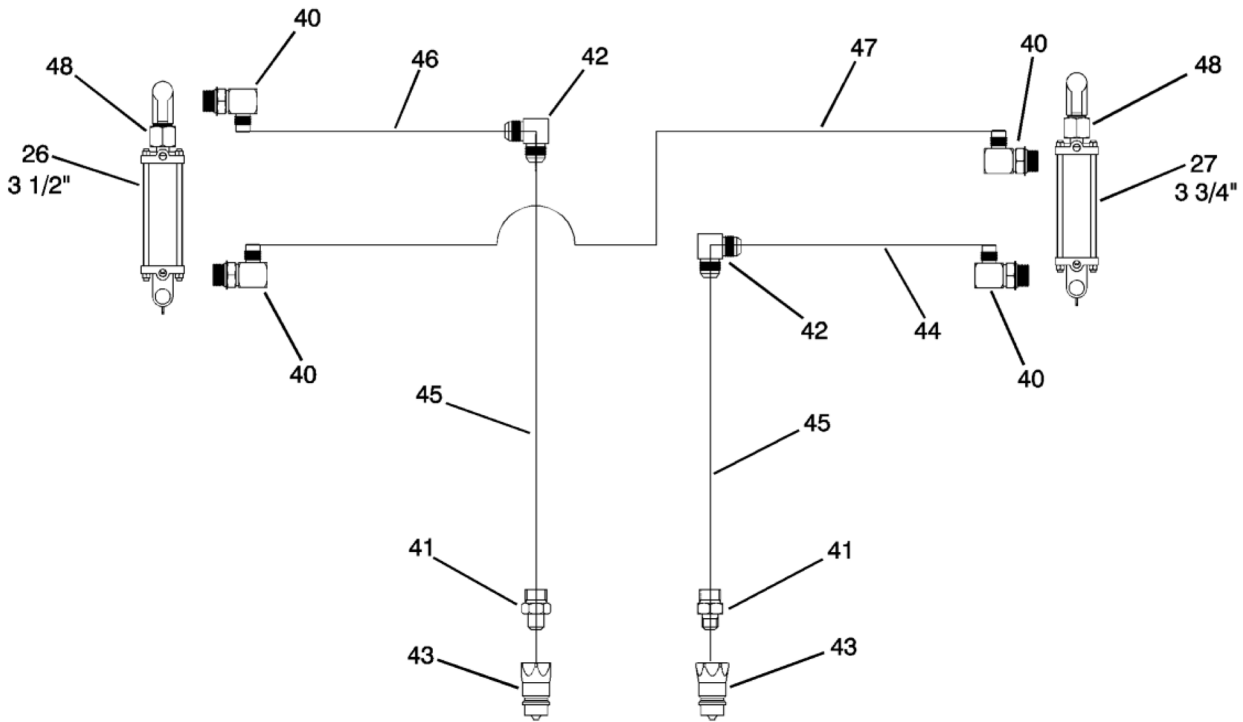
- 1. ITEM 10 IS PRESSED IN ARMS (ITEMS 13 & 14).

ITEM NO.	PART NUMBER	DESCRIPTION	QTY.
1	552270	WLDT., SCALPER SHOE LH (USE WITH 552340 LH)	1
2	552280	WLDT., SCALPER SHOE RH (USE WITH 552350 RH)	1
3	E392001	KNIFE, SCALPER	1
4	005360	HEX NUT 1/2-13	2
5	005370	LOCK WASHER, 1/2	2
6	E174016	PLATE, CLAMP	1
7	991200	BOLT, CRG, 1/2-13 X 2	2
8	242600	BOLT, 5/8-11 X 7-1/2	1
9	035210	WASHER, FLAT 5/8	16
10	240330	BUSHING (INCLUDED IN ITEM 13 AND 14)	8
11	E552046	NUT, HEX, LOCK 5/8-11	-
12	990560	BOLT, 5/8-11 X 3	1
13	E036073	ARM, LOWER	1
14	240350	ARM, UPPER	2
15	009800	BOLT, 5/16-18 X 2-1/2	1
16	240360	CHAIN, 3-LINKS	1
17	025670	NUT, HEX, LOCK, 5/16-18	2
18	005900	BOLT, 5/16-18 X 1	1
19	E738016	SPRING	1
20	240290	BAR, SPRING TAKE-UP	1
21	240310	WLDT., CLAMP	1
22	990620	BOLT, 5/8-11 X 2	4
23	355340	CLIP, 1/4 INCH WIRE ROPE WITH NUTS	1
24	242330	BUSHING, 7/8 OD X 21/32 X 19/32 LG	8

HYDRAULIC CIRCUITS ASSEMBLY, STEERING & LIFT



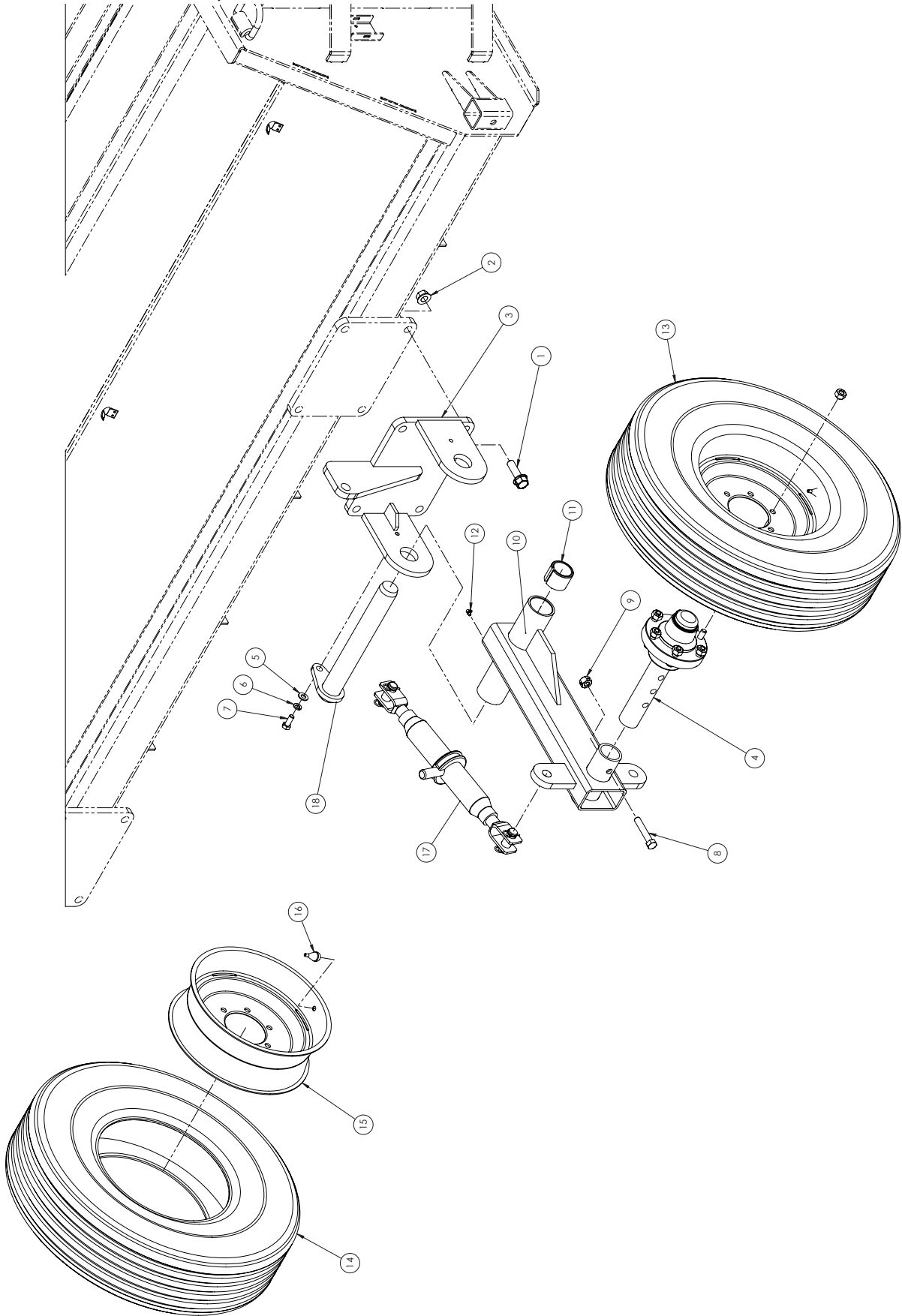
STEERING CIRCUIT



LIFT CIRCUIT

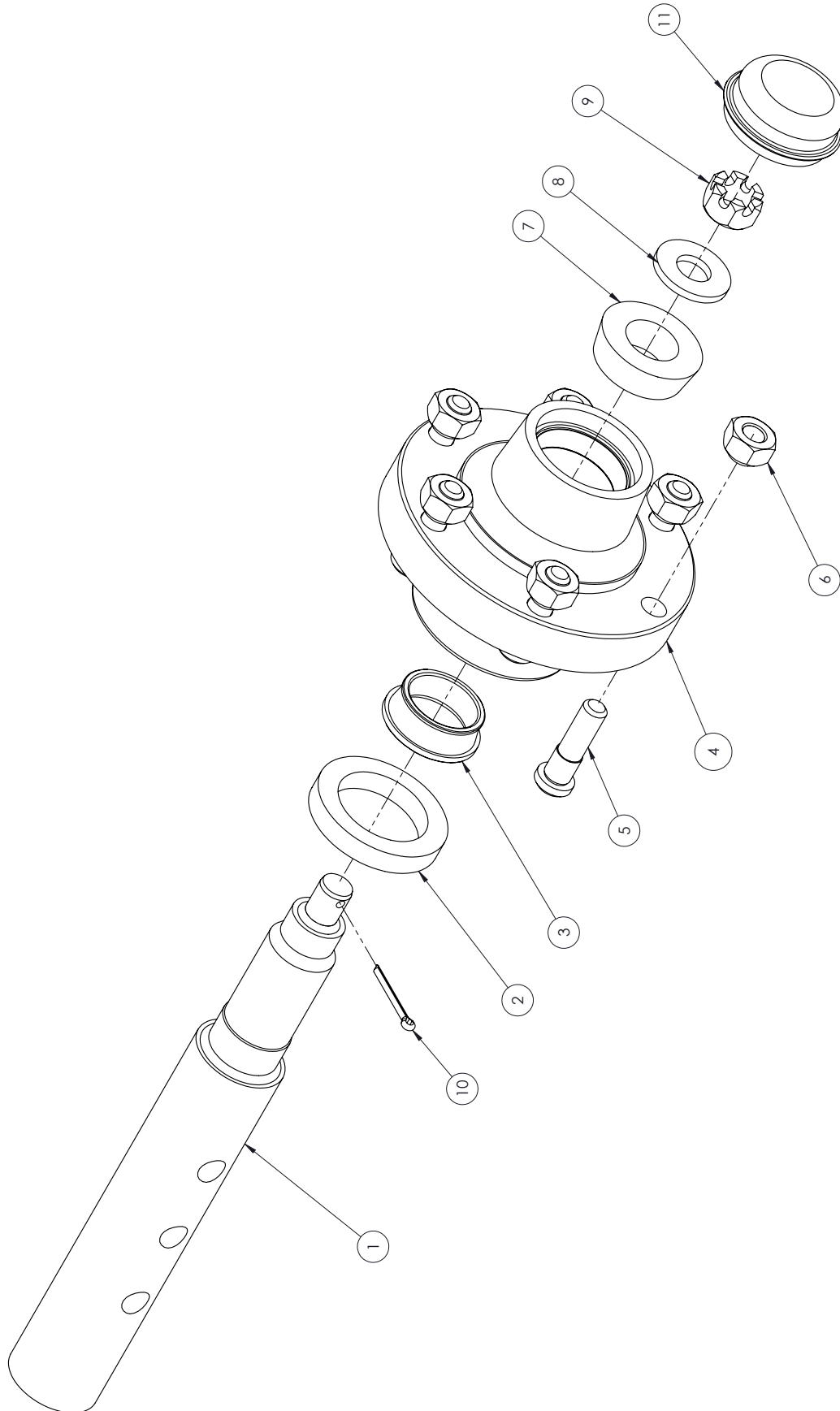
ITEM NO.	PART NUMBER	DESCRIPTION	QTY.
3	566450	CYL, HYD 3.5 INCH B X 8.0 INCH	2
26	515370	CYL, HYD. 3.75 B X 8.0 S	1
27	515360	CYL, HYD. 3.50 B X 8.0	1
39	505820	TEE, UNION -6 MJIC	1
40	505780	FTG HYD 8MB-8MJT	1
41	506200	ADAPTER, STRAIGHT 3/4 ORB X 9/16 JIC	1
42	568360	FITTING, 90 DEGREE -6	1
43	11285718C2	COUPLER, HYD	1
44	553060	HOSE ASSY, HYD. 3/8 X 124 INCH L	1
45	553050	HOSE ASSY, HYD. 3/8 X 276 INCH L	1
46	553070	HOSE ASSY, HYD. 3/8 X 135 INCH L	1
47	568350	HOSE ASSY, HYD.	1
48	538870	NUT, STOP	1

STABILIZER ASSEMBLY, FRAME & WHEEL



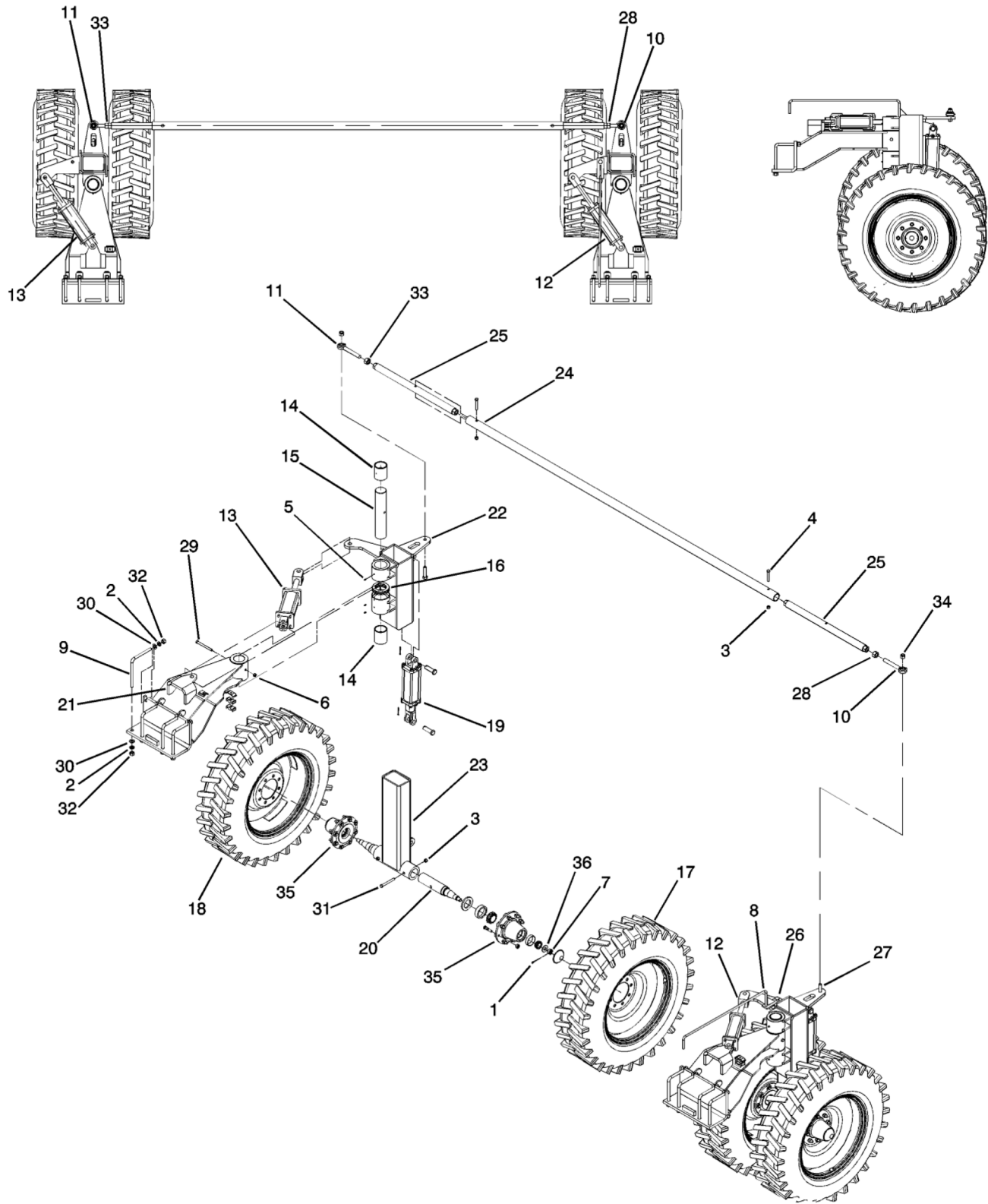
ITEM NO.	PART NUMBER	DESCRIPTION	QTY.
1	600430	BOLT, HFH 3/4-10 X 2-1/2"	8
2	600320	NUT, HFH 3/4-10	8
3	567360	MOUNT WLDT,	1
4	596590	SPINDLE & HUB ASM	1
5	005200	WASHER, FLAT 1/2 STD	1
6	005370	WASHER, LOCK 1/2	1
7	010730	BOLT, HHCS 1/2-13 X 1-1/4"	1
8	1271729	BOLT, HHCS 5/8-11 X 3-1/2"	1
9	038850	NUT, LOCK 5/8-11	1
10	567370	SUPPORT WLDT, WHEEL	1
11	537610	BUSHING, TENSION	2
12	119612R91	GREASE FITTING, 90 DEG TAP	1
13	273750	WHEEL ASS'Y,	1
14	273730	TIRE, 7.60 X 15; 8 PLY	1
15	273740	RIM, 15/ 6 6 BOLT	1
16	164420	VALVE STEM W/CAP	1
17	R39520	JACK, RATCHET	1
18	660302	PIN WELDMENT, 15"	1

HUB & SPINDLE ASSEMBLY, STABILIZER



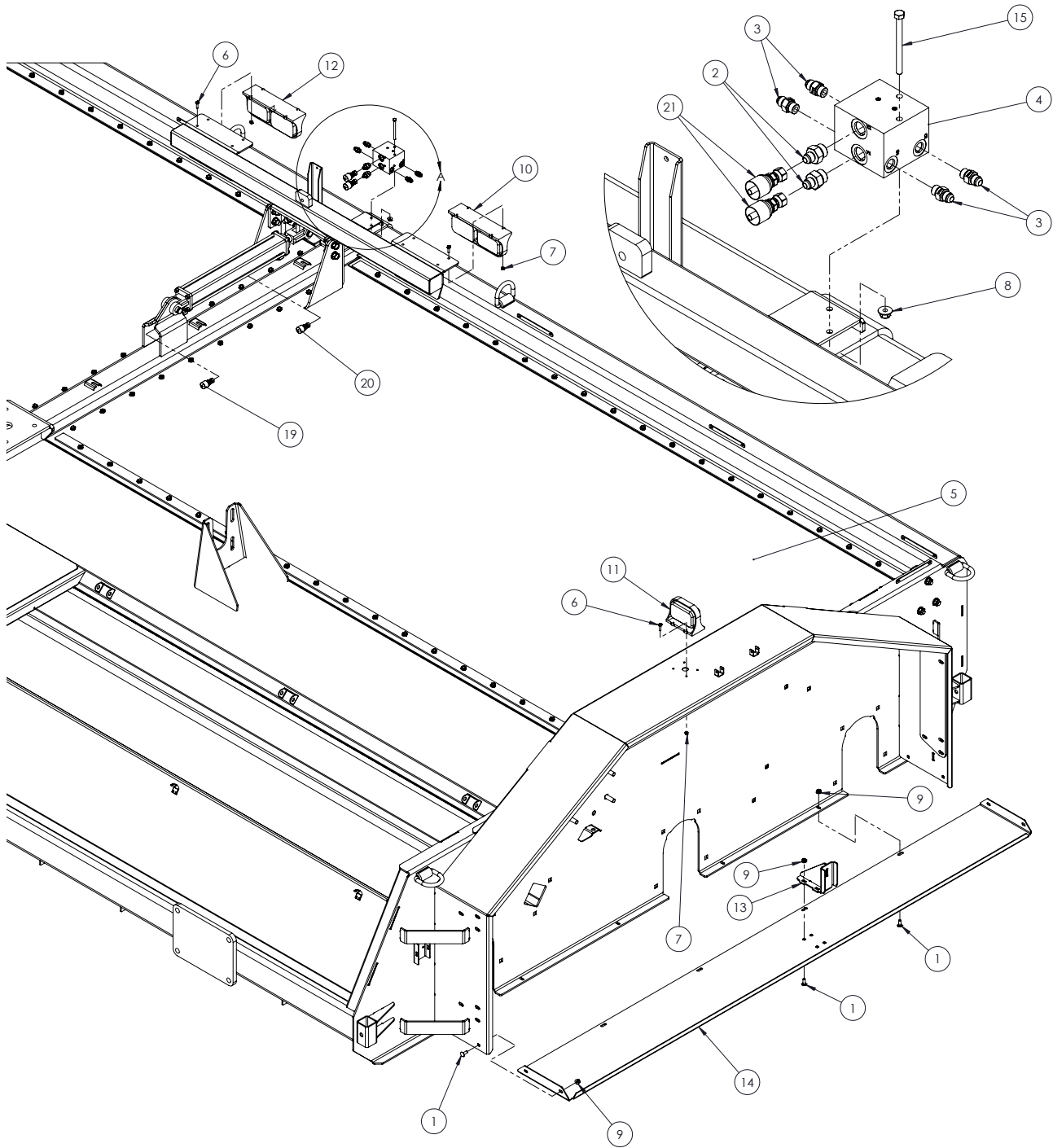
ITEM NO.	PART NUMBER	DESCRIPTION	QTY.
1	523380	SPINDLE, CARRIER	1
2	121130	SEAL, WHEEL	1
3	007600	BEARING CONE	1
4	007590	HUB ASSEMBLY	1
5	046700	BOLT, STUD 9/16-18UNF	6
6	046710	NUT, WHEEL 9/16-18	6
7	012630	BEARING CONE	1
8	020720	WASHER, FLAT	1
9	020710	NUT, SLOTTED 3/4-16	1
10	026630	COTTER PIN, 5/32 X 1-1/2	1
11	035420	HUB CAP, 2 1/2"	1

WHEEL SET ASSEMBLY, STEERABLE



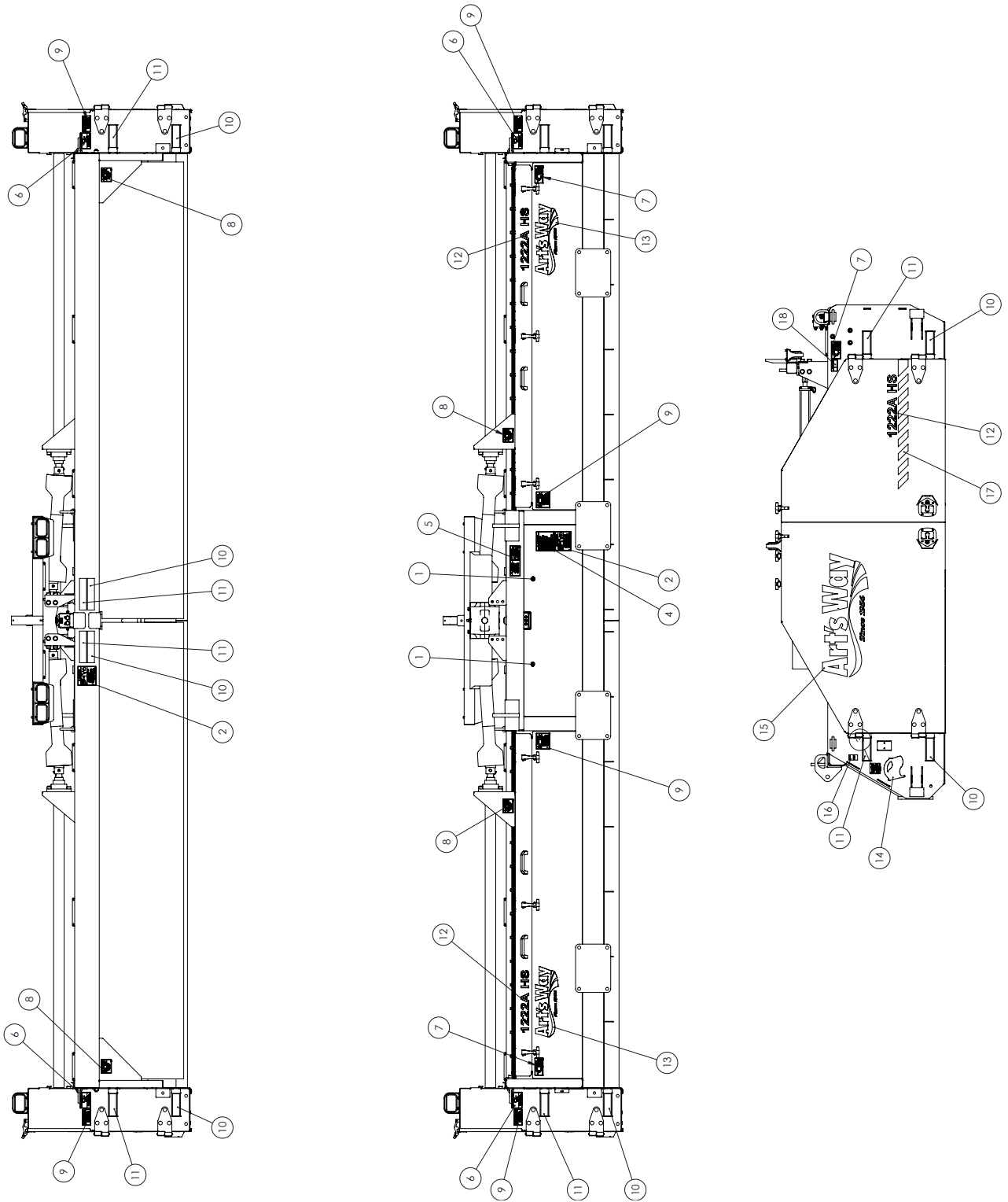
ITEM NO.	PART NUMBER	DESCRIPTION	QTY.
1	026630	1/4 X 2.0 COTTER PIN	4
2	036800	LW 3/4 INCH SAE MED	17
3	037540	NUT, LOCK 1/2-13 GR5 ZN NYLON	6
4	041410	HHCS, 1/2-13 X 3.25 GR5 ZN	2
5	115590	FITTING, FREASE	6
6	127890	HL NUT 0.5000-13-D-N	2
7	129380	NUT, SLOTTED 7/8-14 GR5 ZN	4
8	357160	ROD WLDT.	1
9	403860	BOLT, "L"	8
10	414470	BALL JOINT	1
11	414480	BALL JOINT	1
12	515360	CYL., HYD., 3.50B X 8.00	1
13	515370	CYL., HYD. 3.75B X 8.0 S	1
14	534110	BEARING, SLEEVE	4
15	534120	KINGPIN	2
16	534210	BEARING, 3.00 BALL	2
17	539770	TIRE AND WHEEL, RH	2
18	539780	TIRE AND WHEEL, LH	2
19	566450	CYL., HYD. 3.5 INCH B X 8.0 INCH	2
20	566690	SPINDLE, WHEEL	4
21	568010	STRUT WLDT., PIVOT	2
22	568050	PIVOT WLDT.	2
23	568100	AXLE WLDT.	2
24	593560	TIE ROD, CENTER	1
25	568270	TIE ROD WLDT.	2
26	990540	HBOLT 0.7500-10 X 2.5 X 2.5-N	1
27	990580	HBOLT 0.7500-10 X 3.25 X 3.25-N	2
28	E552087	NUT, HEX 1.00-8 LH GR5 ZN	1
29	E672045	BOLT, HHCS 1/2-13 X 6 GR5 ZN	2
30	I131017	FW 0.812	16
31	I189314	HBOLT 0.5000-13 X 4.75 X 4.75-N	4
32	J14H794	NUT, HEX 3/4-10 GR5 ZN	17
33	J14H805	NUT, HEX 1.00-8 GR5 ZN	1
34	JK40016	NUT, LOCK, 3/4-10 GR8 ZN TOP	2
35	TG0760	HUB ASSEMBLY	4
36	V030620	WASHER, FLAT	4
37	527700	CLAMP, HOSE	4
38	527680	BAR, HOSE CLAMP	2

LIGHTS & VALVE BLOCK ASSEMBLY



ITEM NO.	PART NUMBER	DESCRIPTION	QTY.
1	170530	BOLT, CRG 3/8-16 X 1"	24
2	528160	FITTING, HYD STRAIGHT	2
3	530240	FITTING, HYD STRAIGHT	4
4	563000	VALVE ASSY, DUAL CHECK	1
5	565700	REAR DOOR ASS'Y	1
6	600020	BOLT, HFH 1/4-20 X 1.00"	16
7	600100	NUT, HFH NYLOC 1/4-20	16
8	600110	NUT, HFH NYLOC 5/16-18	2
9	600120	NUT, HFH NYLOC 3/8-16	24
10	642580	LAMP, LED AMBER W/STOP	1
11	642585	LAMP, LED AMBER 2-WAY	2
12	642590	LAMP, LED AMBER W/STOP	1
13	661518	DOOR STOP WELDMENT	2
14	661534	BOTTOM PANEL, BELT BOX	2
15	V054934	BOLT, HHCS 5/16-18 X 3-3/4	2
**	619560	HARNESS, TONGUE JUMPER	1
**	619570	HARNESS, REAR LIGHT BAR	1
**	619785	HARNESS, MAIN LIGHT	1
19	567500	HOSE, HYD 3/8 X 244"	1
20	567490	HOSE, HYD 3/8 X 266"	1
21	553050	HOSE, HYD 3/8 X 276"	2

DECALS



ITEM NO.	PART NUMBER	DESCRIPTION	QTY.
1	146670	DECAL, GREASE SYMBOL	3
2	346310	DECAL, WARNING HIGH PRESSURE	2
3	355600	TAG, SERIAL NUMBER	1
4	368040	DECAL, CAUTION SAFETY	1
5	383970	DECAL, CAUTION	1
6	467400	DECAL, WARNING FLYING OBJECT	4
7	467420	DECAL, WARNING NO RIDERS	4
8	467430	DECAL, WARNING MOVING PART	6
9	467450	DECAL, WARNING MOVING	6
10	476450	TAPE, RED RETROREFLECTIVE	6
11	476460	TAPE, YELLOW RETROREFLECTIVE	6
12	567530	DECAL, "1222A HS"	4
13	582430	DECAL, ARTSWAY	2
14	608080	DECAL, MADE IN AMERICA	2
15	618010	DECAL, ARTSWAY	2
16	K18534203	DECAL, FEMA	2
17	MP01.77720	DECAL, STRIPES	2
18	MP40.00472	DECAL, WARNING HAND	2

NOTES:

Art's

Since

NOTES:





Art's-Way Manufacturing Co., Inc. TECHNICAL MANUALS

Manuals are available from your local dealer or Art's-Way Manufacturing Co., Inc. for the operation, service, and repair of your machine. For prompt convenient service, contact your local dealer for assistance in obtaining the manuals for your machine.

Your local dealer can expedite your order for operator manuals, illustrated parts catalogs, service manuals, and maintenance records.

Always give the Machine Name, Model, and Serial Number so your local dealer can provide the correct manuals for your machine.

Art's-Way Manufacturing Co., Inc. reserves the right to make improvements in design or changes in specifications at any time without incurring any obligation to install them on units previously sold.

Except as expressly authorized, no part of this manual may be reproduced, copied, transmitted, disseminated, downloaded or stored in any storage medium, for any purpose without the express prior written consent of Art's-Way Manufacturing Co., Inc.

ART'S-WAY MANUFACTURING CO., INC.

HWY 9 WEST - PO Box 288

Armstrong, IA. 50514 U.S.A

ART'S-WAY MANUFACTURING CO., INC.

All Rights Reserved