



# Parts Manual

Mfg. No: 2691814-00  
Courier XT, 25 Gross HP B&S Rider w/52"  
Fabricated Mower Deck

1696384YP - Grass Mulcher Kit, 52" Fabricated Mower Deck. ....

Not For  
Reproduction

---

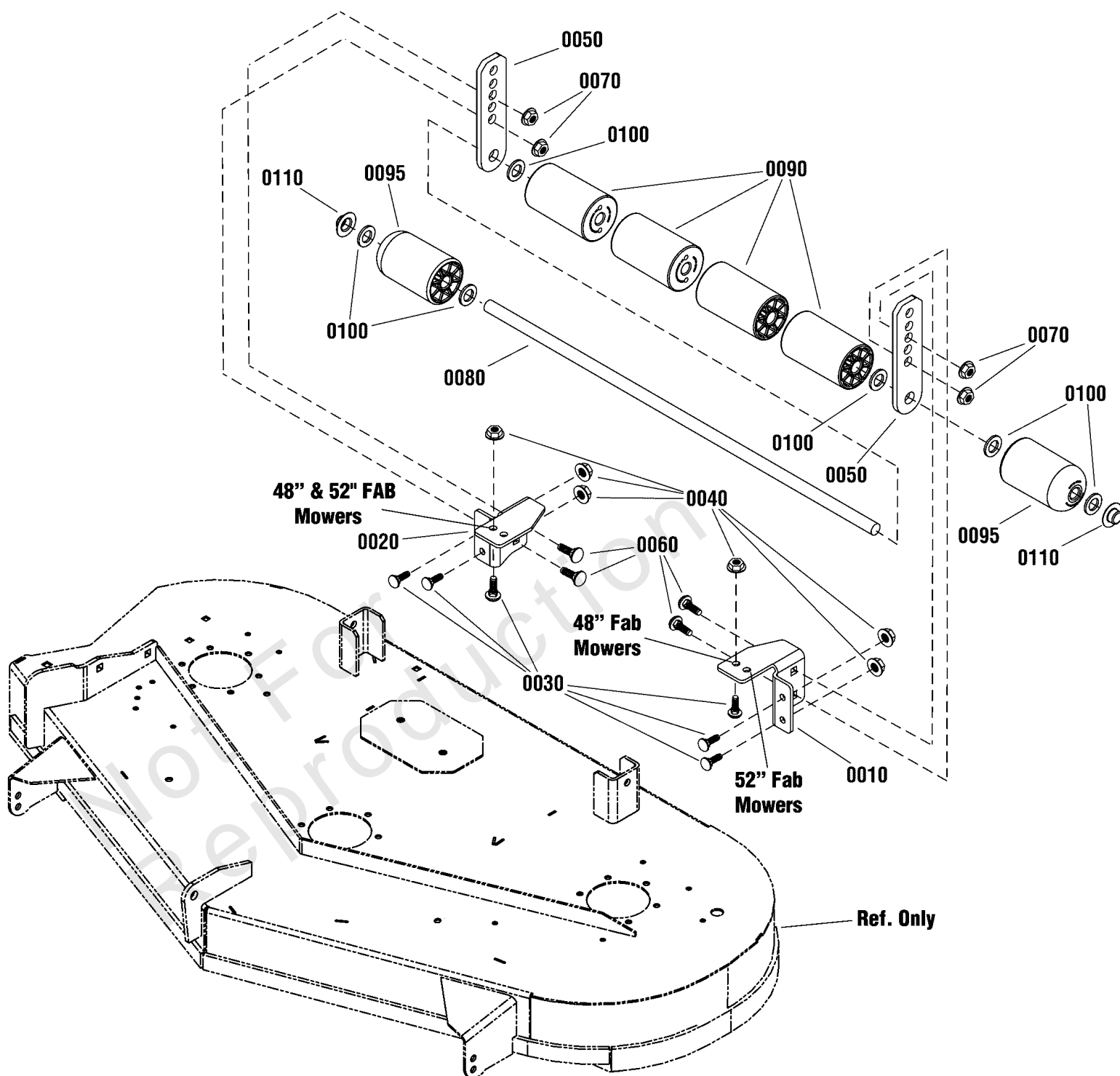
<b>Model Components</b>	<b>Page</b>
48" & 52" Mower Deck - Roller Group.....	4
52" Mower Deck - Clutch & Support Group.....	6
52" Mower Deck - Housing, Arbors & Blade Group.....	8
Body & Fuel Tank Group.....	10
Controls Group.....	12
Decals Group - Brand & Model.....	14
Decals Group - Safety & Operation.....	16
Electrical Group.....	18
Engine Group.....	20
EVAP Group.....	22
Frame Group.....	24
Lift Group.....	26
Parking Brake Group.....	28
Seat Group.....	30
Suspension Group.....	32
Transmission Group - Suspension.....	34
Wheel & Tire Group.....	36
Torque Specification Chart.....	38

Not For  
Reproduction

# 48" & 52" Mower Deck - Roller Group

Note: Unless noted otherwise, use the standard torque specifications

Mfg. No: 2691814-00



## 48" & 52" Mower Deck - Roller Group

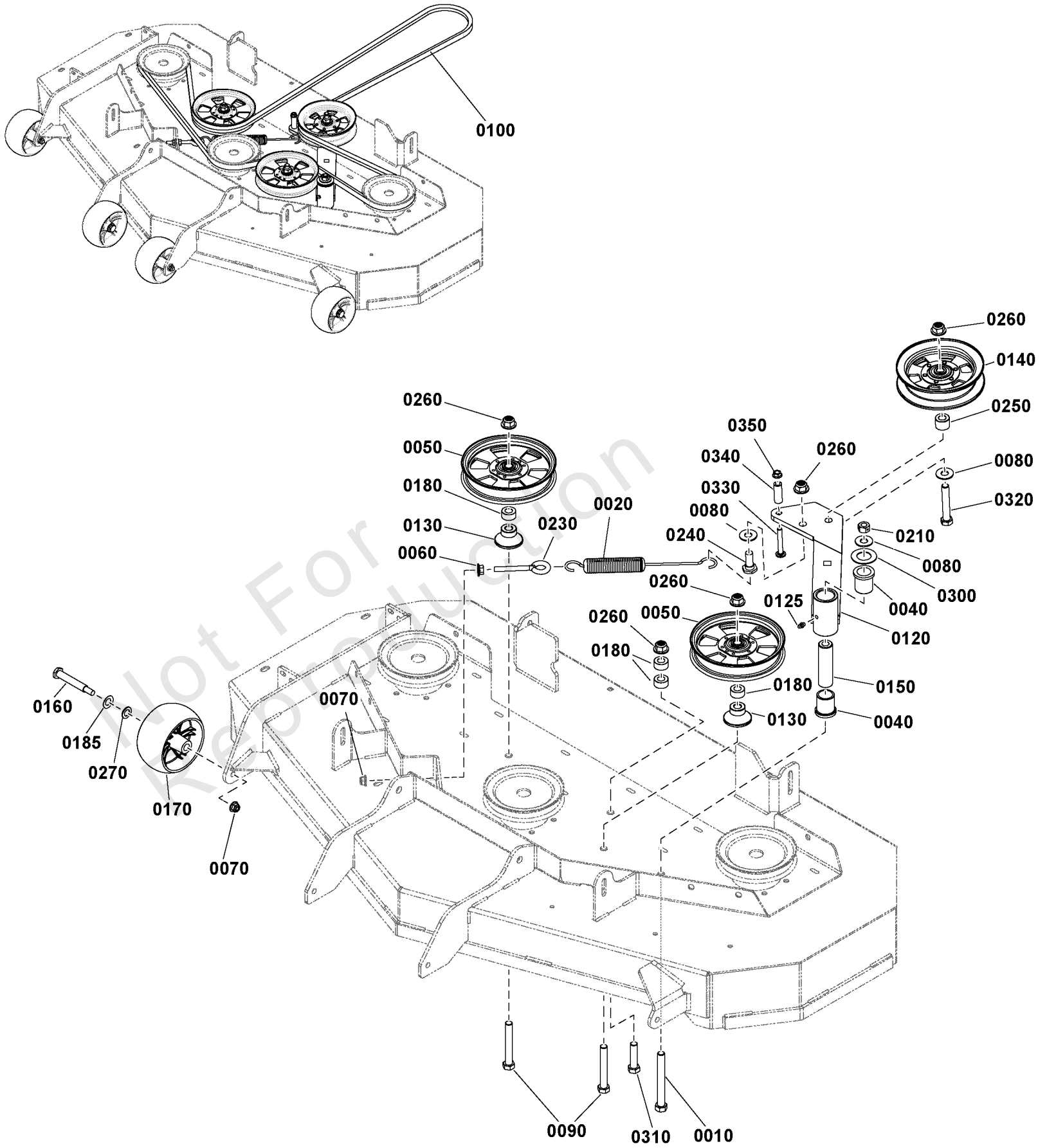
REF NO	PART NO	QTY	DESCRIPTION
0010	1758457AYP	1	MOUNT, Roller Bar, LH
0020	1758458AYP	1	MOUNT, Roller Bar, RH
0030	703185	6	BOLT, Carriage, 5/16-18 X 3/4
0040	703115	6	NUT, Flange Nylock, 5/16-18
0050	1758461AYP	2	BAR, Roller
0060	703815	4	BOLT, Carriage, 3/8-16 X 1, GR5
0070	703158	4	NUT, Hex Flange, 3/8-16
0080	1758473YP	1	SHAFT, Roller
0090	1668513SM	4	ROLLER, .652 ID, 2.50 OD, 4.10 LG
0095	1722036SM	2	ROLLER, Rounded, 4.1 LG, 650 ID, 2.50 OD Rounded End
0100	703580	6	WASHER, 5/8
0110	1960520SM	2	NUT, Push, 5/8

Not For Reproduction

# 52" Mower Deck - Clutch & Support Group

Note: Unless noted otherwise, use the standard torque specifications

Mfg. No: 2691814-00



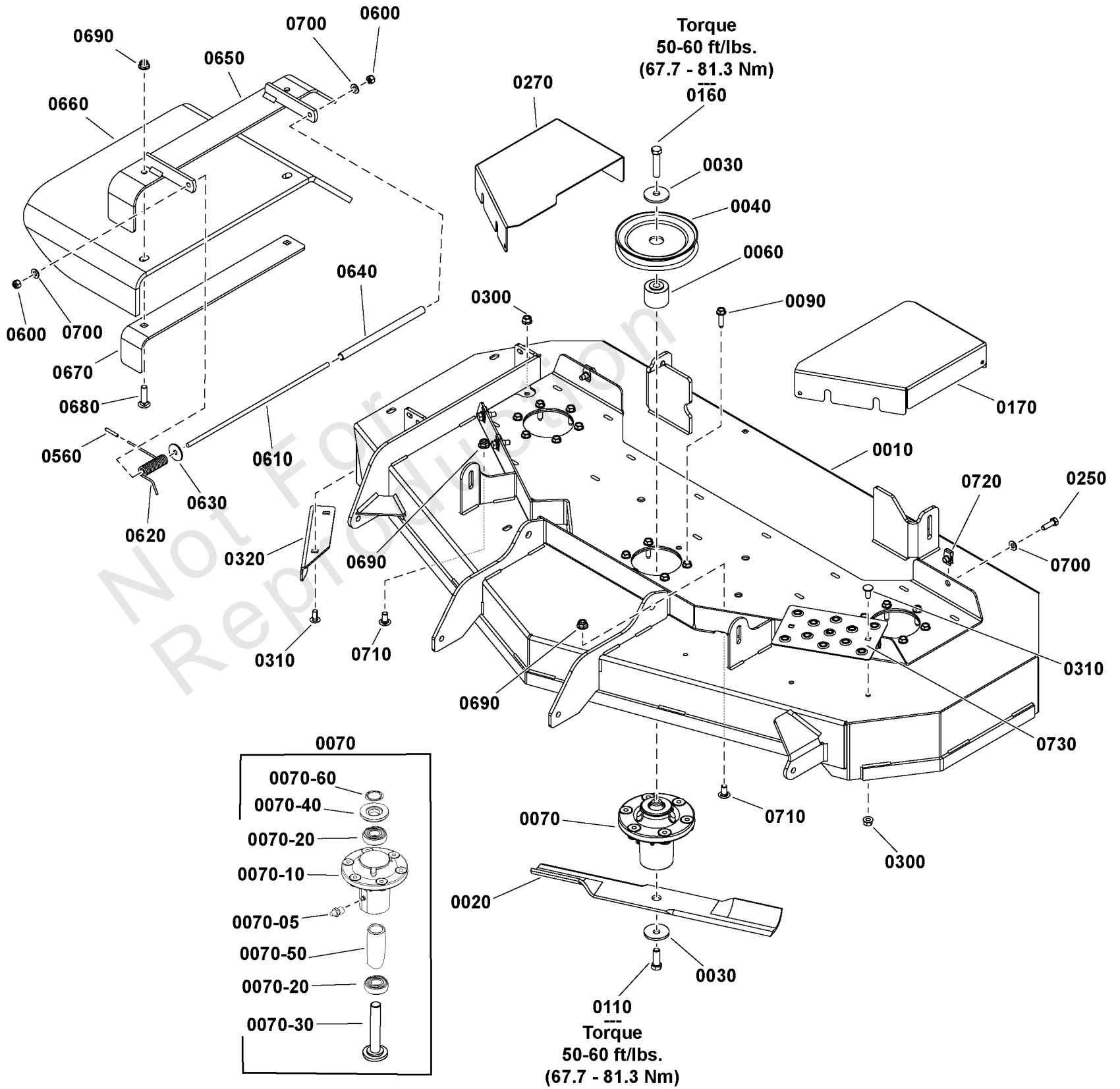
## 52" Mower Deck - Clutch & Support Group

REF NO	PART NO	QTY	DESCRIPTION
0010	5025017X36SM	1	BOLT, 1/2-13 X 4-1/2 GD5 YZ
0020	5023340SM	1	SPRING-EXT, 1.04 ODX10.535LGX.148WR, BLK
0040	5021541SM	2	BUSHING, FLANGE
0050	5104717YP	2	PULLEY, FLT IDLR, 6.0 X 1.0 X .50, CZ
0060	5025128SM	1	NUT, Hex, Serrated Flange, 3/8-16 (S/N 616 & up)
0070	5025394SM	5	NUT, Hex Flange, Nylock, 3/8-16
0080	703451	3	WASHER, Flat, 17/32 X 1 1/4
0090	5025017X28SM	2	CAPSCREW, Hex Hd, 1/2-13 x 3-1/2
0100	84006540	1	BELT, 149.92"
0120	84007070	1	WELDMENT, Idler Arm, 52"
0125	5020095SM	1	GREASE FITTING, 1/4-28 STRAIGHT
0130	5103430YP	2	IDLER MOUNT
0140	5104716YP	1	PULLEY,IDLER,BACKSIDE,NOSEAM 6.25ODX.5ID
0150	5045022SM	1	SPACER, .52 X 1.00 X 3.50
0160	1736539YP	4	BOLT, Shoulder, 3/8-16 X 3.41
0170	1736896YP	4	WHEEL, Gauge
0180	5104482	4	SPACER, .52 X 1.00 X .50, CZ
0185	0020X3MA	4	WASHER, Spring
0210	5025332SM	1	NUT, 1/2-13 HEX SIDE LOCK
0230	5025429SM	1	EYEBOLT, 3/8-16 X 4, 2.13THRD, .75EYE, C
0240	1737409YP	1	BOLT, Shoulder, 1/4
0250	5045178SM	1	SPACER, .52 X 1.00 X .75, CZ
0260	5025396SM	5	NUT, Hex Flange, 1/2-13
0270	703128	4	WASHER, 33/64 x .7/8 OD
0300	703199	1	WASHER, Flat
0310	5025017X16YP	1	CAPSCREW, Hex Head, 1/2-13 x 2
0320	5025017X24SM	1	BOLT, 1/2-13 X 3 GD5 YZ
0330	704421	1	SCREW, Round Head, 5/16 X 2 1/4
0340	1713588SM	1	SPACER, .323 ID X .555 OD X 1.55 LG, CZ
0350	704067	1	NUT, Hex Flange, 5/16-18

# 52" Mower Deck - Housing, Arbors & Blade Group

Note: Unless noted otherwise, use the standard torque specifications

Mfg. No: 2691814-00





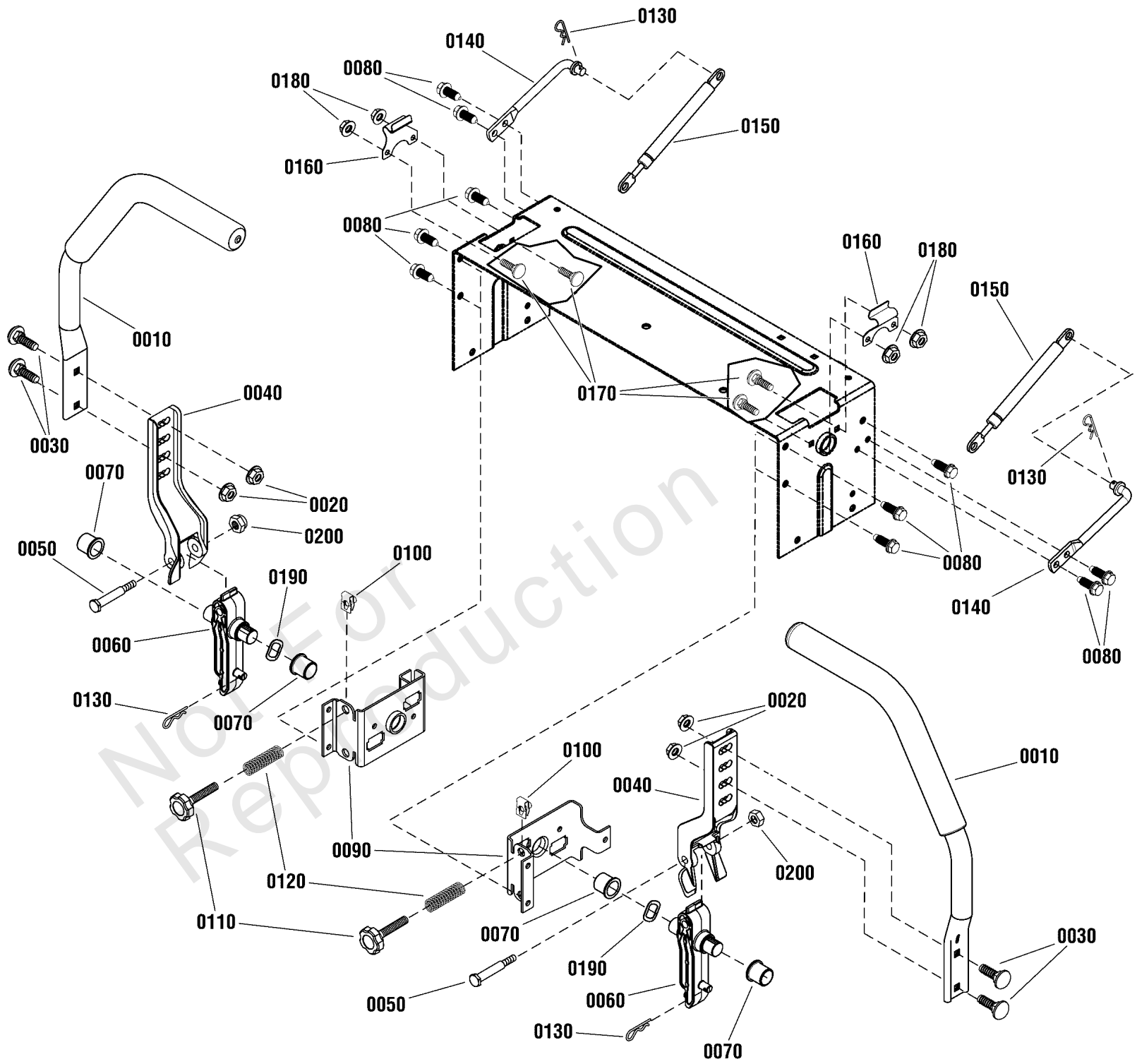
## 52" Mower Deck - Housing, Arbors & Blade Group

REF NO	PART NO	QTY	DESCRIPTION
0010	84006944	1	HOUSING, Mower Deck w/Decals, 52" FAB
0020	1756152AYP	3	BLADE, 18", .63 Hole, .98 Lift
0030	1656916SM	6	WASHER, Spring
0040	84006899	3	PULLEY
0060	1759940YP	3	SPACER, Upper Drive
0070	84003174	3	ARBOR ASSEMBLY
0070-05	1704314SM	1	FITTING, Lube, 1/4
0070-10	84003653	1	HOUSING, w/Lube Fitting
0070-20	1735399YP	2	BEARING, Ball, 20mm
0070-30	84003170	1	SHAFT, Spindle
0070-40	84003166	1	SHIELD, Arbor
0070-50	84003167	1	SPACER, Bearing
0070-60	1960766YP	1	RING, Self Locking
0090	703167	18	SCREW, Hex Washer Head, Taptite, 5/16-18 x 1-1/4
0110	703579	3	CAPSCREW, Hex Head, 7/16-14 x 1-1/4, GR8
0160	84007038	3	CAPSCREW, Hex Head, 7/16-14 X 2
0170	84007039	1	COVER, Arbor, LH
0250	5025011X8SM	6	CAPSCREW, Hex Head, 5/16-18 X 1
0270	84006931	1	COVER, Arbor, RH
0300	5025392SM	4	NUT, Ny Lock Flange, 5/16-18
0310	5025145X6SM	4	BOLT, 5/16-18 X 3/4, CARRIAGE, GD5, CZ
0320	5405557YP	1	PLATE, Deflector
0560	5023489SM	1	CAP, Protector
0600	5025045SM	2	NUT, Hex Lock, Nylon, 5/16-24
0610	5042555SM	1	ROD, 5/16 x 13-3/4
0620	5023385SM	1	SPRING, Torsion
0630	5025164SM	1	WASHER, Fender, 5/16
0640	5050086X8SM	1	TUBE, 8"
0650	5413404AYP	1	MOUNT, Discharge
0660	5413498YP	1	CHUTE, Discharge
0670	5413401AYP	1	SUPPORT, Chute
0680	5025146X12YP	2	BOLT, Carriage, 3/8-16 X 1 1/2, GR5
0690	5025394SM	4	NUT, Hex Flange, Nylock, 3/8-16
0700	5025155SM	8	WASHER, 5/16
0710	703448	2	BOLT, Carriage, 3/8-16 X 3/4, GR5
0720	5022308SM	6	CLIP, BODY , 5/16-18 FOR 7 GA.
0730	84006929	1	STEP, Mower Deck



## Body & Fuel Tank Group

REF NO	PART NO	QTY	DESCRIPTION
0010	1758077YP	1	FENDER, RH
0020	1759369YP	1	ROD, Support
0030	703953	1	SCREW, Torx Pan Head Self-Tapping, 1/4-20 X 5/8,
0040	1758202YP	1	FUEL TANK ASSEMBLY, No Fuel Gauge -(Includes item Nos. 0040-10 thru 0040-70)
0040-10	-----	1	TANK, Fuel -(Order item 0040)
0040-20	-----	1	NECK, Fuel Filter -(Order item 0040)
0040-30	1758314YP	1	CAP, Fuel (Non Vented)
0040-40	799624	1	GROMMET
0040-50	770046	1	VENT, Remote
0040-60	1758927YP	1	TUBE, Fuel Pickup
0040-70	1726400SM	1	BUSHING
0045	1758919YP	1	FUEL TANK ASSEMBLY. W / Fuel Gauge -(Includes item Nos. 0045-10 thru 0045-90)
0045-10	-----	1	TANK, Fuel -(Order item 0045)
0045-20	-----	1	NECK, Fuel Filter -(Order item 0045)
0045-30	1758314YP	1	CAP, Fuel (Non Vented)
0045-40	799624	1	GROMMET
0045-50	770046	1	VENT, Remote
0045-60	1758927YP	1	TUBE, Fuel Pickup
0045-70	1726400SM	1	BUSHING
0045-80	1758928YP	1	GAUGE, Fuel
0045-90	84004692	1	GROMMET
0050	197546GS	5	MOUNT, Vibration
0060	1758076YP	1	FENDER, LH
0070	1758239AYP	2	SUPPORT, Rear Fender
0080	84002196	1	BRACKET, Seat Spring
0090	703228	18	SCREW, Washer Head Taptite, 5/16-18 X 3/4
0100	703158	2	NUT, Hex Flange, 3/8-16
0110	704038	2	SCREW, Hex Flange, Whiz Lock, 3/8-16 x 1
0120	1960044SM	4	WASHER, Flat, 5/16
0130	1759140AYP	1	STRAP, Fuel Tank
0140	1760244YP	2	SUPPORT, Fuel Tank
0150	703054	2	SCREW, Hex Washer Head, 1/4-20 x 5/8



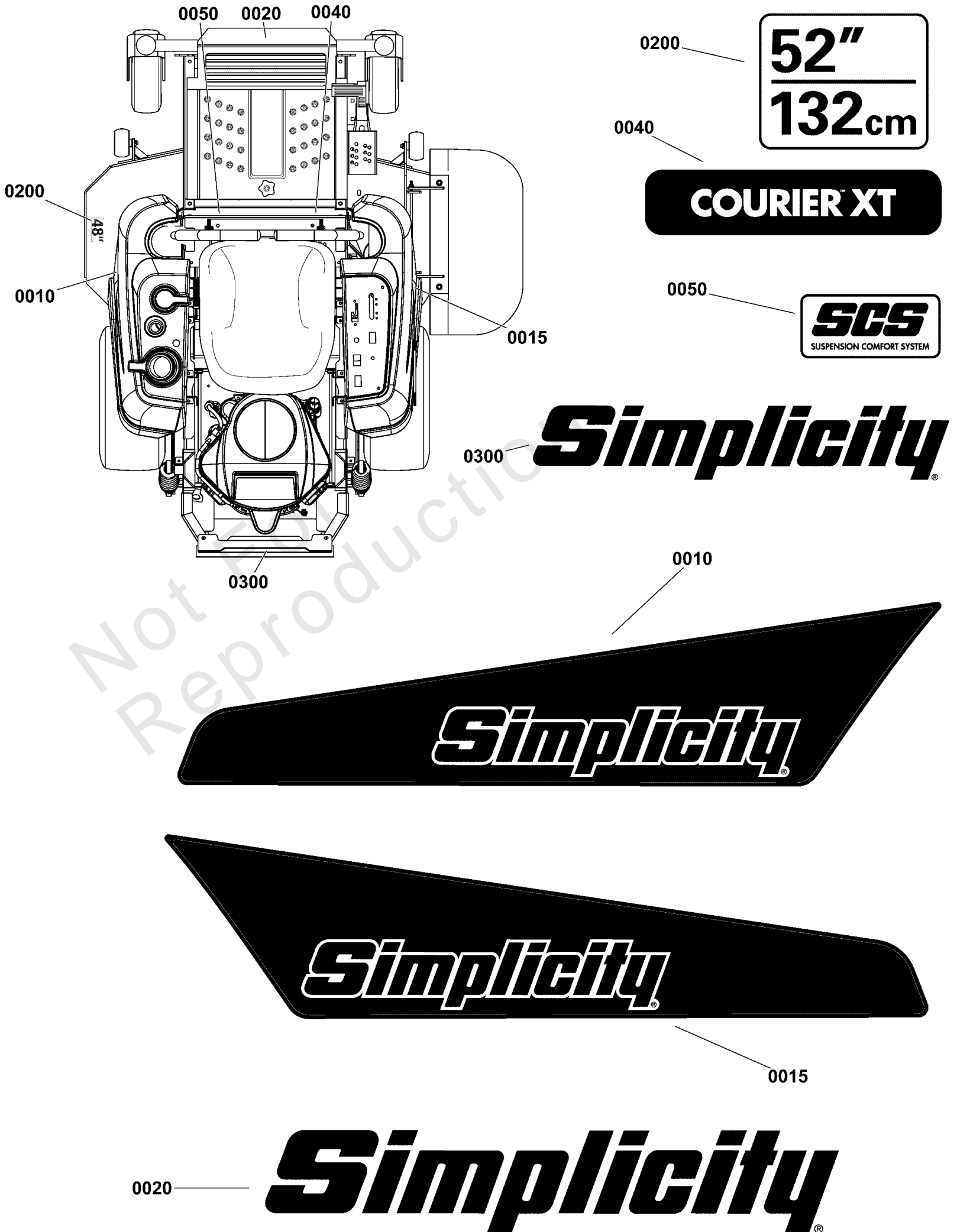
## Controls Group

REF NO	PART NO	QTY	DESCRIPTION
0010	1758372YP	2	HANDLE, Control w/Grip
0020	703115	4	NUT, Flange Nylock, 5/16-18
0030	703483	4	BOLT, Carriage, 5/16-18 X 1
0040	1757965YP	2	ARM, Upper Control
0050	707624	2	BOLT, Shoulder, 5/16-18 X 3/8
0060	1757964YP	2	ARM, Lower Control
0070	2176440SM	4	BUSHING
0080	703949	10	SCREW, Washer Head, 5/16-18 X 5/8
0090	1758087AYP	2	PIVOT, Inner Control
0100	1960717SM	2	NUT, Speed, 5/16-1
0110	1758373YP	2	KNOB, Stud, 5/16-18 X 2 1/2
0120	1650347SM	2	SPRING, Compression
0130	5025211SM	4	PIN, Hair
0140	1758463YP	2	ROD, Dampener Mount
0150	1758152YP	2	DAMPENER, Control
0160	1759182YP	2	LATCH, Control Arm
0170	703101	4	BOLT, Carriage, 1/4-20 x 3/4 , GR5
0180	703463	4	NUT, Flange Nylock , 1/4-20
0190	707625	2	WASHER, Wave, 3/4
0200	703902	2	NUT, Hex Nylock, 5/16-18

**Decals Group - Brand & Model**

Note: Unless noted otherwise, use the standard torque specifications

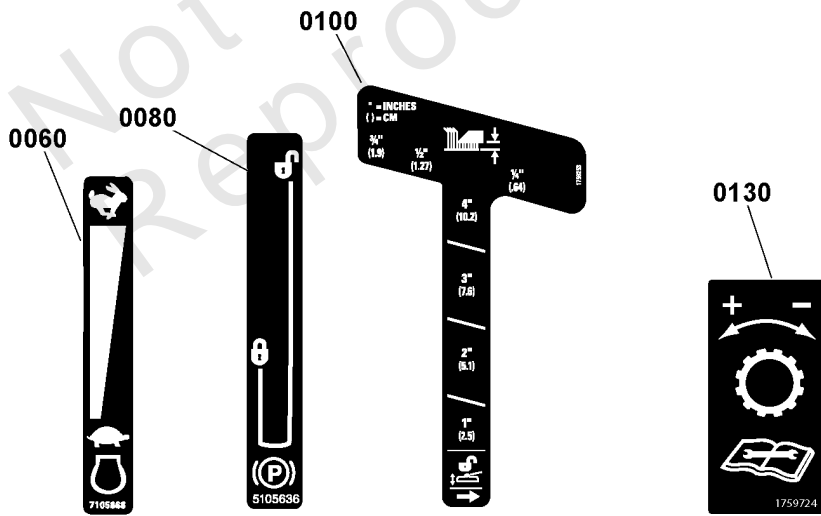
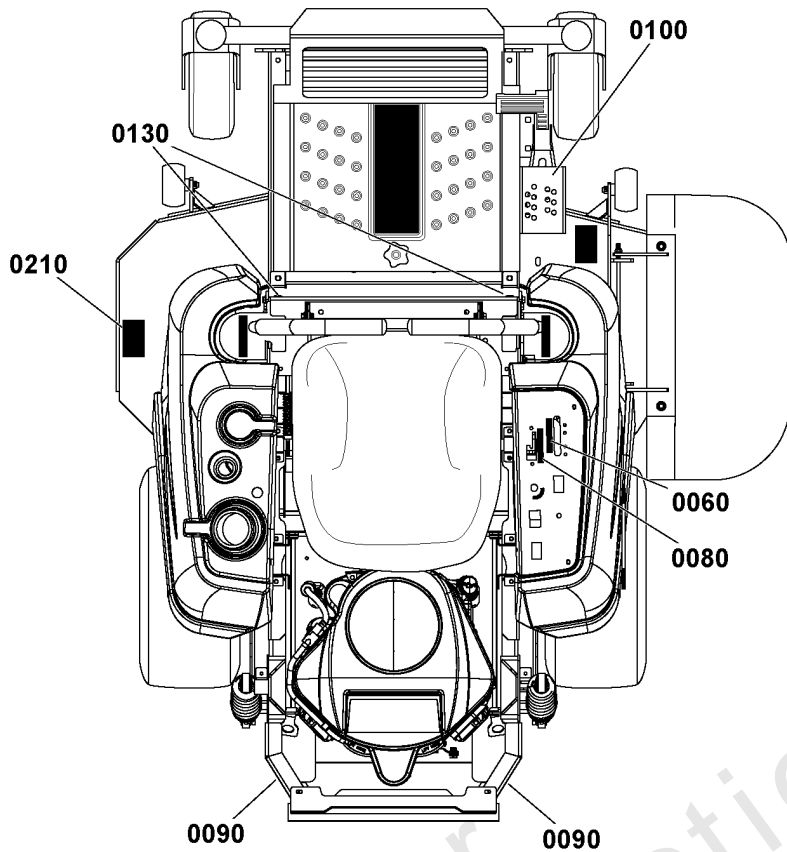
Mfg. No: 2691814-00



## ***Decals Group - Brand & Model***

<b>REF NO</b>	<b>PART NO</b>	<b>QTY</b>	<b>DESCRIPTION</b>
0010	1760168YP	1	DECAL, Simplicity Logo, LH Fender, 15.7" x 3.7"
0015	1760169YP	1	DECAL, Simplicity Logo, RH Fender, 15.7" x 3.7"
0020	1757673YP	1	DECAL, Model, SMI Logo 10.47" Long
0040	84006940	1	DECAL, Courier, XT
0050	1758877YP	1	DECAL, SCS
0200	1755721YP	1	DECAL, 52"/132cm
0300	1757673YP	1	DECAL, Model, SMI Logo 10.47" Long

Not For Reproduction



0145

**HYDRAULIC OIL**

---

**USE SAE 20W-50 MOTOR OIL**

5100857

0140

**Belts & Blades**

Transmission Drive Belt	
Rear - Fixed Frame	84006539
Rear - Suspension	885714YP
52" Mower	
Deck Drive Belt	84006540
Mower Blade	1756152AYP
61" Mower	
Deck Drive Belt	84006541
Mower Blade	5104045YP

8006700

0070

**⚠ DANGER**

**Amputation hazard**  
Rotating blades cut off arms and legs.

- Stop the mower when children or others are near.
- Do not carry riders (especially children) even with the blades off. They may fall off or return for another ride when you are not expecting it.
- Look down, behind and to the side before changing directions.

**Loss of control and roll-over hazard**  
Operating on slopes can be hazardous and cause loss of control and roll-overs.

- Do not operate on slopes over 10 degrees.
- Avoid sudden turns or rapid speed changes.
- Reduce speed and use extreme caution on slopes.
- Avoid turning down slopes; if possible turn up slopes.
- If machine stops forward motion on a slope, stop the blades and drive slowly off the slope.

**Water, retaining walls and drop-off hazards**  
Wheels dropping over edges may result in serious injury, death or drowning.

- Do NOT operate down slope towards or near water, retaining walls or drop-offs.
- Give yourself a minimum of two mower widths of clearance around these hazards.

---

**⚠ WARNING**

**Fire hazard**  
Gasoline is flammable. Yard debris is combustible.

- Allow engine to cool for at least 3 minutes before refueling.
- Keep unit cleaned of debris.
- This equipment may create sparks that can start fires around dry vegetation. A spark arrester may be required. Contact local fire agencies for regulations relating to fire prevention requirements.

**Avoid serious injury or death**  
Read the operator's manual before using this product.

- Do NOT operate this machine unless you are trained.
- Know the location and function of all controls.
- Keep safety devices (guards, shields, switches, etc.) in place and working.
- Remove objects that could be thrown by the blade.
- Be sure blade(s) and engine are stopped before placing hands or feet near blade(s).
- When leaving machine, shut off, remove key, and set parking brake.

5108564A  
CAN 1C33-2NMF2

0210

**⚠ DANGER**

**Amputation and thrown objects hazard**

- Keep hands and feet away from deck.
- Do not operate mower unless discharge chute or entire grass catcher is in its proper place.

7101688

0090

1759466



## ***Decals Group - Safety & Operation***

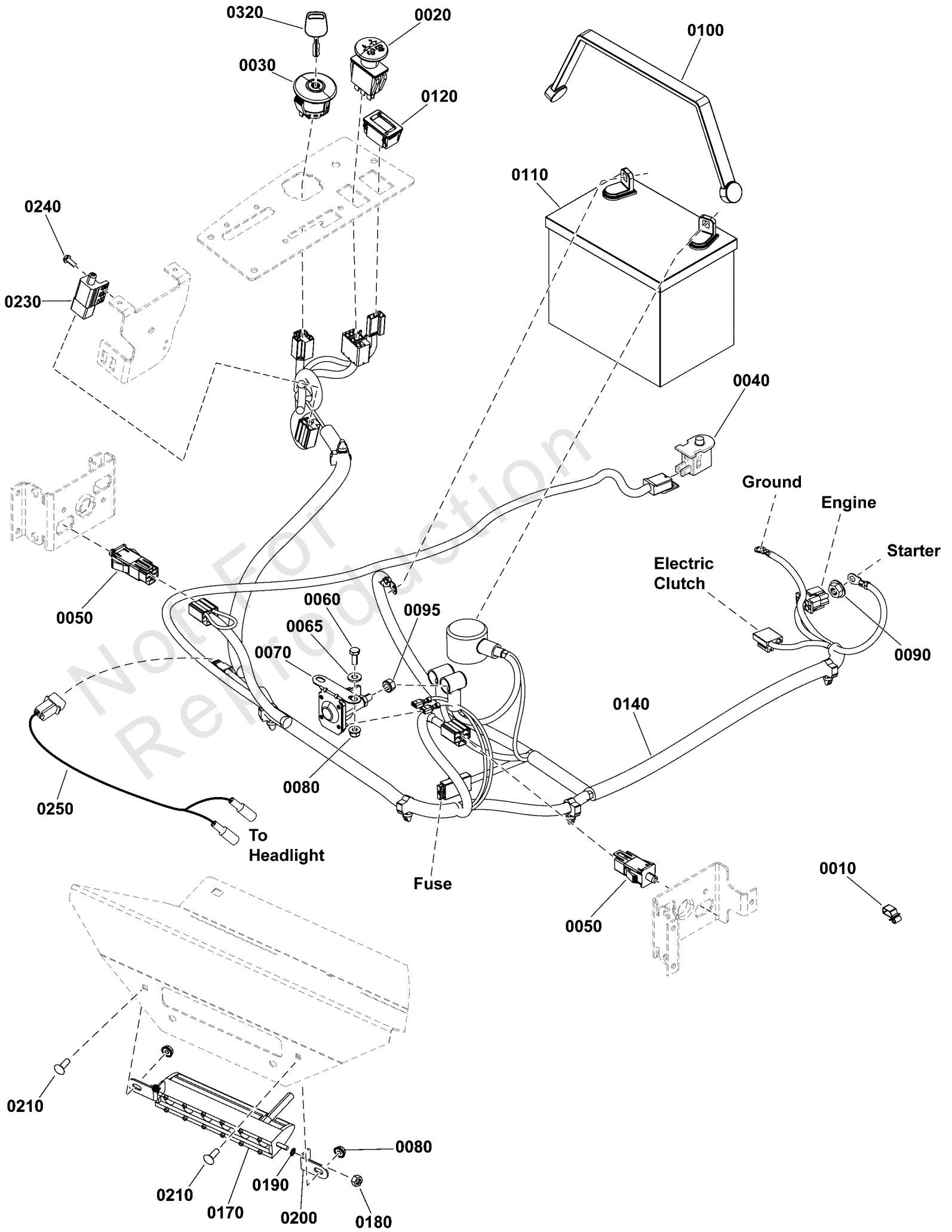
<b>REF NO</b>	<b>PART NO</b>	<b>QTY</b>	<b>DESCRIPTION</b>
0060	7105868YP	1	DECAL, Engine Speed
0070	84003344	1	DECAL, Safety Inst.
0080	84007063	1	DECAL, Parking Brake
0090	1759466YP	2	DECAL, Tow Release, Suspension
0100	84007064	1	DECAL, Height of Cut
0130	1759724YP	2	DECAL, Tracking
0140	84006942	1	DECAL, Service Parts
0145	84002270	1	DECAL
0210	7101665YP	2	DECAL, Danger

Not For Reproduction

# Electrical Group

Note: Unless noted otherwise, use the standard torque specifications

Mfg. No: 2691814-00



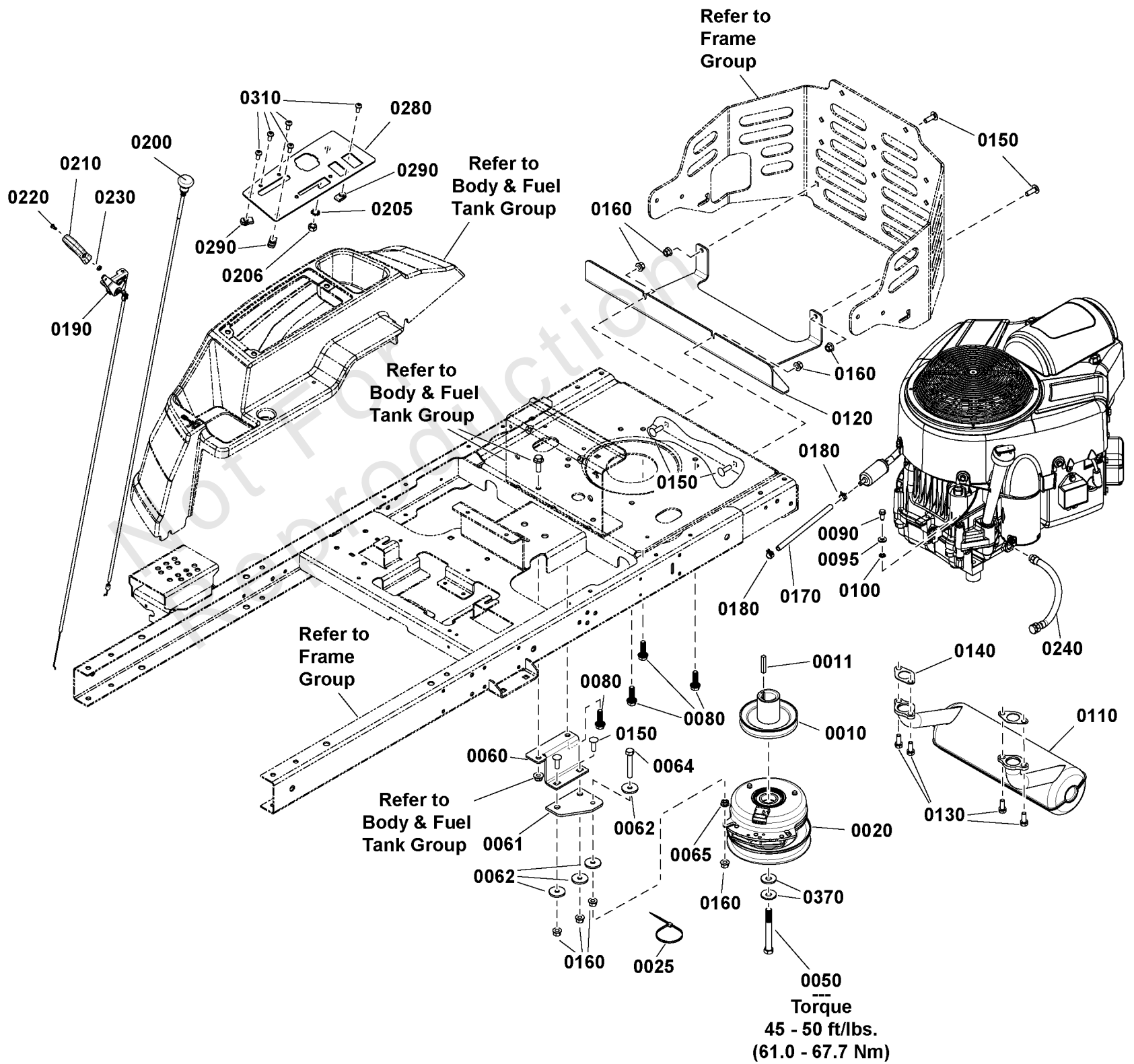
## Electrical Group

REF NO	PART NO	QTY	DESCRIPTION
0010	2172434SM	3	CLIP, Wire, .390 Dia.
0020	1722887SM	1	SWITCH, PTO, Push/Pull
0030	7106169YP	1	SWITCH, Ignition, Delta (3 Postition)
0040	7023354YP	1	SWITCH, Seat, Push Button (NC)
0050	7022886YP	2	SWITCH, DP, NO/NC, Snap-In
0060	703338	2	CAPSCREW, Hex Head, 1/4-20 x 5/8, GR5
0065	84007033	2	WASHER, 1/4 SAE
0070	772333	1	SOLENOID, Starter
0080	5025391	4	NUT, 1/4-20 Hex Nylock Flange
0090	703061	1	NUT, 1/4-20, Keps, Conical Washer
0095	2860750SM	2	NUT, Hex Lock, KEPS, 5/16-24
0100	1722009SM	1	STRAP, Rubber, 13"
0110	-----	1	BATTERY, 12 VOLT, 230 CCA
0120	1731185SM	1	HOUR METER, Digital, No Alarms
0140	84006894	1	HARNESS, Main, XT
0170	84006903	1	HEADLIGHT, Debris Blower
0180	84007034	2	NUT, Hex, M5X.8MM, Nylon Insert
0190	84007035	2	WASHER, 5MM, Star
0200	84007036	2	BRACKET, L Headlight Mount
0210	703575	2	BOLT, 1/4-20 x 3/4
0230	1717050SM	1	SWITCH, Push Button, N.O . N.C, Double Pole, Grey
0240	704060	2	SCREW, Hex Washer Head, Self Tap, 10-24 x 1/2
0250	84006895	1	HARNESS, Headlight Jumper

# Engine Group

Note: Unless noted otherwise, use the standard torque specifications

Mfg. No: 2691814-00



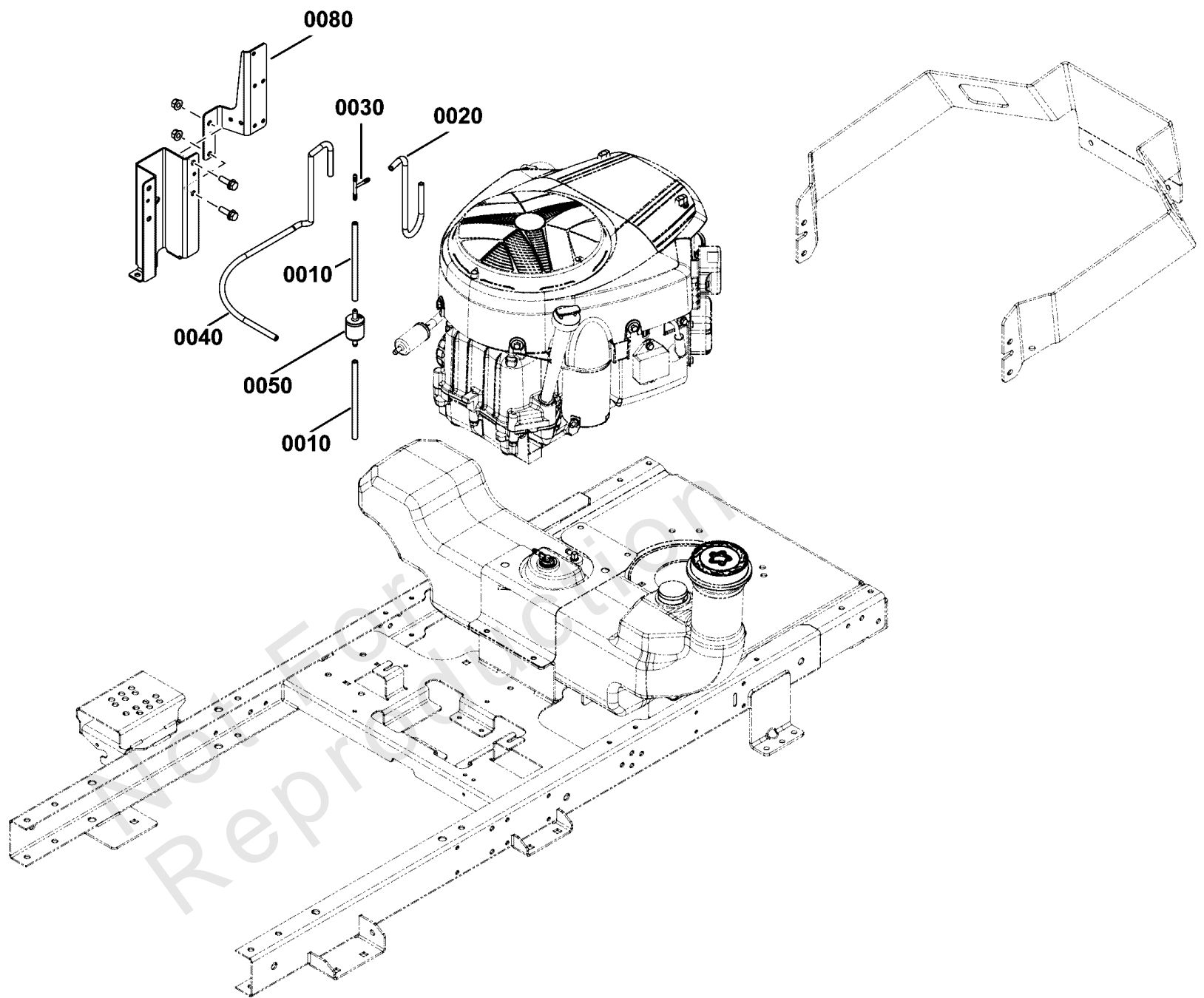
## Engine Group

REF NO	PART NO	QTY	DESCRIPTION
0005	44T977-0005-G1	1	* ENGINE, 25HP B&S COMM TURF, 1-1/8 X 4.29 -( Engine Model: 44N777-0005-G1 )
0010	84006898	1	PULLEY, Crankshaft
0011	5022726YP	1	KEY 1/4 SQ X 1 1/2 LONG
0020	84006960	1	CLUTCH, Warner
0025	5021030SM	1	TIE, 6" Self-Locking
0050	84007266	1	BOLT
0060	84007267	1	BRACKET
0061	84007268	1	PAD
0062	5044617SM	4	WASHER, CLUTCH ANCHOR, 5/16
0064	5025055X18YP	1	BOLT, 5/16-18 X 2-1/4
0065	5025127SM	1	NUT, Hex Serrated Flange, 5/16-18,
0080	2828635SM	4	SCREW, Taptite, 3/8-16 X 1 1/4
0090	703054	1	SCREW, Hex Washer Head, 1/4-20 x 5/8
0095	22473GS	1	FLAT WASHER, M6 - 1/4"
0100	1921880SM	1	WASHER, Lock, 1/4
0110	1758350YP	1	MUFFLER
0120	84006923	1	HEAT SHIELD
0130	690341	4	SCREW
0140	690970	2	GASKET, Exhaust
0150	703800	6	BOLT, Carriage, 5/16-18 X 1
0160	703115	8	NUT, Flange Nylock, 5/16-18
0170	5050831X11YP	1	HOSE, 1/4" FUEL, 11.00"
0180	93807	2	CLAMP, Hose
0190	1759205YP	1	CONTROL, Throttle
0200	5100184SM	1	CABLE, CHOKE CONTROL, 43.5"
0205	703864	1	WASHER, External, 3/8
0206	703895	1	NUT, Hex, 3/8-24
0210	1739312YP	1	KNOB, Throttle
0220	797483	1	SCREW
0230	703460	1	NUT
0240	1726498SM	1	HOSE, Oil Drain
0280	84006920	1	PANEL, Control
0290	705876	3	NUT, Speed, 1/4-20
0310	703953	5	SCREW, Torx Pan Head Self-Tapping, 1/4-20 X 5/8,
0370	5025585YP	2	BELLEVILLE, WASHER, 1.1875 X .442 X .089

---

### Footnotes:

Note:\* See your local Briggs & Stratton distributor for parts & service.



## EVAP Group

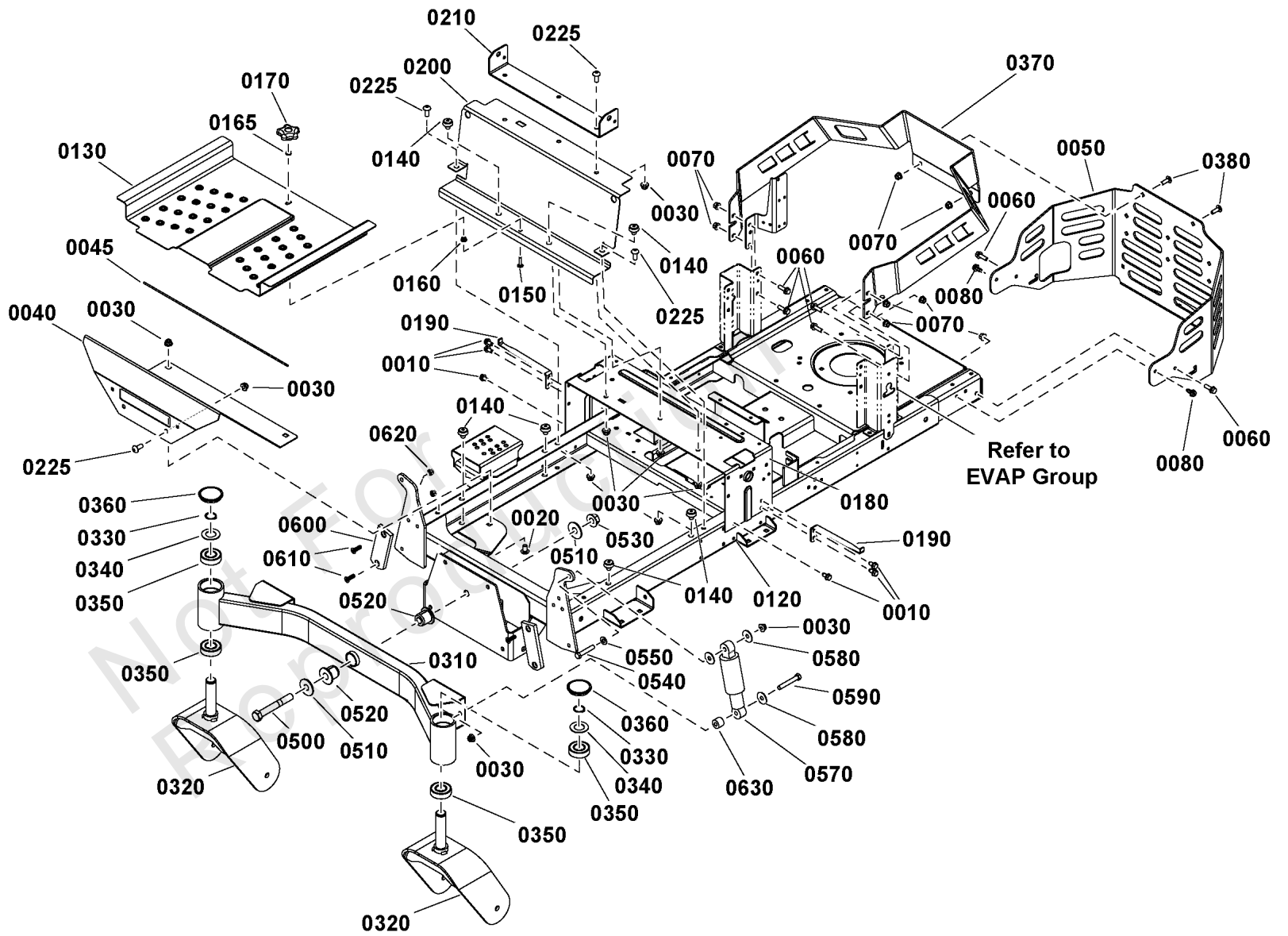
REF NO	PART NO	QTY	DESCRIPTION
0010	7700552X6YP	2	HOSE, VAPOR, 5MM ID, 6.00 LG
0020	7700552X12YP	1	HOSE, Vapor, 5 MM ID X 9 MM OD X 12"
0030	5103062YP	1	FITTING, 3/16" TEE, BARB TYPE, HDPE
0040	7700552X29YP	1	HOSE, VAPOR, 5MM ID, 29.00 LG
0050	84001895	1	FILTER, Fuel
0070	5021030SM	5	TIE, 6" Self-Locking -(Not Illustrated)
0080	1760538AYP	1	BRACKET, Vent Hose Mount - BS Twin (BLK)

Not For Reproduction

# Frame Group

Note: Unless noted otherwise, use the standard torque specifications

Mfg. No: 2691814-00





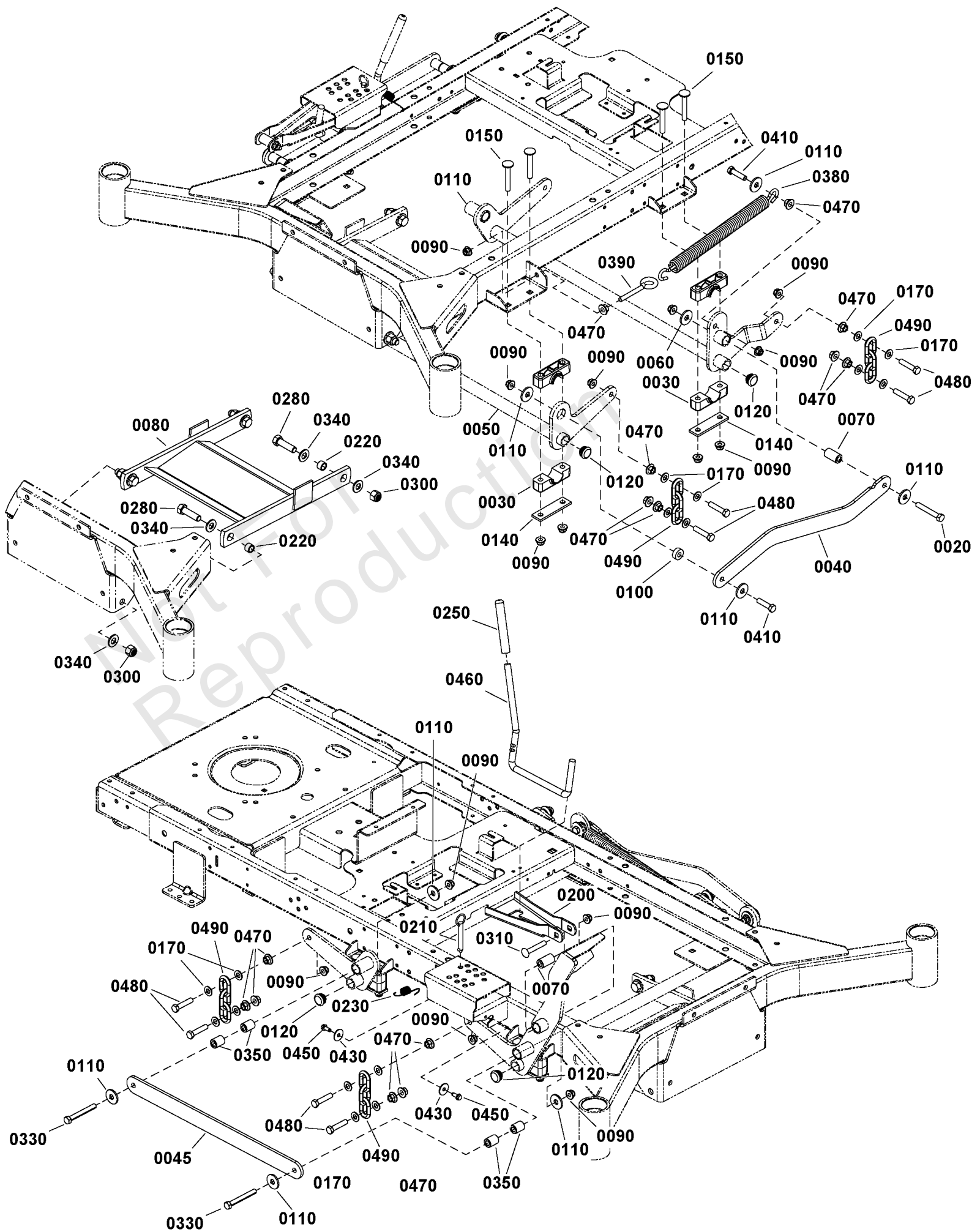
## Frame Group

REF NO	PART NO	QTY	DESCRIPTION
0010	703949	6	SCREW, Washer Head, 5/16-18 X 5/8
0020	703448	2	BOLT, Carriage, 3/8-16 X 3/4, GR5
0030	5025394SM	13	NUT, Hex Flange, Nylock, 3/8-16
0040	84006905	1	FOOT REST, XT
0045	5101011SM	1	SAFETY WALK, 8.00 X 15.00
0050	84006907	1	BUMPER, Rear, XT
0060	703410	6	BOLT, Serrated Flange, 5/16-18 X 1.0
0070	5025392SM	8	NUT, Ny Lock Flange, 5/16-18
0080	84007040	2	SCREW, Hex, Washer, 5/16-18 x 3/4
0120	-----	1	FRAME, Suspension -( Not a serviceable part )
0130	1757813CYP	1	PAN, Foot
0140	197546GS	6	MOUNT, Vibration
0150	7090496YP	1	BOLT, Carriage, 1/4C X 1, GR5
0160	703233	1	NUT, Serrated, Flange, 1/4-20, GR5
0165	15X143MA	1	NUT, Center Lock, 1/4-20
0170	707785	1	KNOB, 5 Prong
0180	84007065	1	CONTROL BRACKET
0190	1758240AYP	2	BRACKET, Fender
0200	1757796CYP	1	BRACKET, Brand Plate
0210	84007066	1	PLATE, Seat Pivot
0225	84004627	7	SCREW, Pan head Torx, 3/8-16 x .88
0310	84007067	1	WELDMENT, Pivoting Axle
0320	84006896	2	WELDMENT, Caster
0330	703993	2	RETAINER, Ring
0340	703199	2	WASHER, Flat
0350	1758354YP	4	BEARING, 25 MM
0360	5105524YP	2	CAP, Caster
0370	84006909	1	BRACKET, Fascia, Rear
0380	703800	2	BOLT, Carriage, 5/16-18 X 1
0500	707789	1	BOLT, Hex Head, 5/8-11 X 4 1/2, G5
0510	1960035SM	2	WASHER, 5/8
0520	1759234YP	2	BUSHING, Flanged
0530	84003031	1	NUT, Hex Flange 5/8-11
0540	703589	2	CAPSCREW, Hex Head, 3/8-16 X 2, GR5
0550	5025156SM	2	WASHER, Flat, 3/8
0570	1755279YP	2	SHOCK ABSORBER
0580	5025165SM	6	WASHER, Fender, 3/8
0590	5025013X20	2	BOLT, 3/8-16 X 2-1/2" GD5 CZ
0600	1759391YP	2	PAD, Friction
0610	5025594YP	4	SCREW, Phillips Head, 5/16-18 X 1
0620	703902	4	NUT, Hex Nylock, 5/16-18
0630	1667812SM	2	SPACER, .390 ID .90 OD 0.70 Lg

# Lift Group

Note: Unless noted otherwise, use the standard torque specifications

Mfg. No: 2691814-00



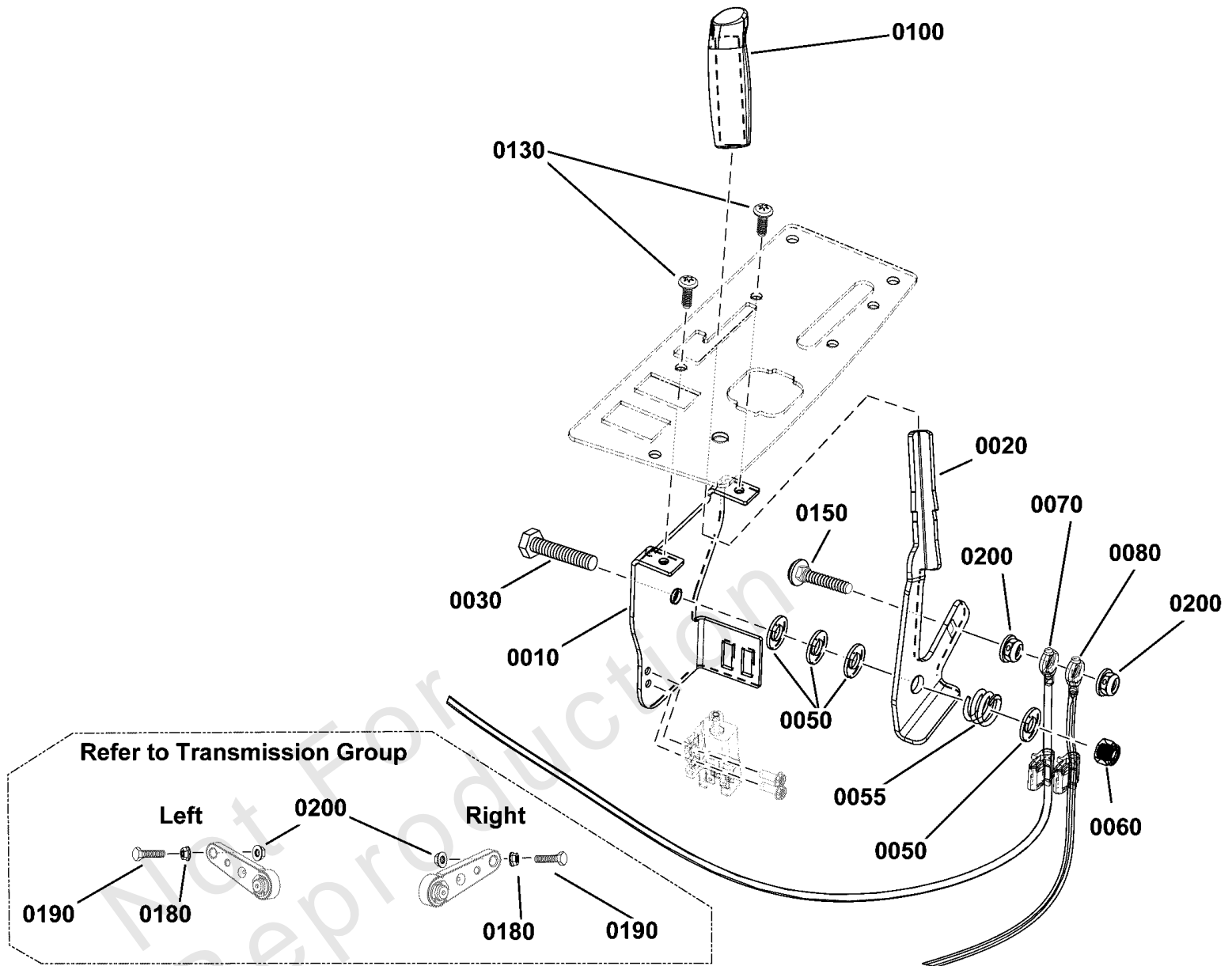
## Lift Group

REF NO	PART NO	QTY	DESCRIPTION
0020	5025013X20SM	1	BOLT, 3/8-16 X 2-1/2"
0030	5100634SM	8	BLOCK
0040	84006925	1	LINKAGE, Lift Assist, LH
0045	84006926	1	LINKAGE, Life Assist, RH
0050	84006914	1	WELDMENT, Mower Lift
0060	84006915	1	WELDMENT, Rear Lift Shaft Assembly
0070	1756612YP	2	BUSHING
0080	84006928	1	BAR
0090	5025394SM	19	NUT, Hex Flange, Nylock, 3/8-16
0100	1667811SM	1	SPACER
0110	1919384SM	9	WASHER, 3/8
0120	-----	4	PLUG
0140	5403925AYP	4	PLATE, Pivot
0150	1960615SM	8	BOLT, Carriage, 3/8-16 X 2 1/2
0170	5025156SM	16	WASHER, Flat, 3/8
0200	1758284AYP	1	STOP, Height of Cut
0210	5103021YP	1	PIN, Hitch, 3/8 X 2 1/2
0220	5020870SM	4	INSERT, BEARING
0230	1758283YP	1	SPRING, Extension
0250	5021880SM	1	GRIP, FOAM, .475 X 4.35 X .095
0280	5025018X14SM	4	BOLT, 1/2-20 X 1-3/4" GD5 YZ
0300	5025098SM	4	NUT, Hex, Nylon Lock, 1/2-20
0310	7900009SM	1	BOLT, Carriage, 3/8-16 X 2 1/4
0330	5025013X24SM	2	CAPSCREW, Hex Head, 3/8-16 x 3
0340	5025158SM	8	WASHER, 1/2
0350	1733068SM	4	SPACER, 0.39 x 3/4 x 0.965
0380	5023355SM	1	SPRING-EXT, 1.00 ODX13.25LGX.177WR, BLK
0390	5025429SM	1	EYEBOLT, 3/8-16 X 4, 2.13THRD, .75EYE, C
0410	703406	2	CAPSCREW, Hex Head, 3/8-16 X 1 1/2, GR5
0430	5025288YP	2	WASHER, 1/4
0450	703054	2	SCREW, Hex Washer Head, 1/4-20 x 5/8
0460	5105717YP	1	ROD, Transport
0470	5025128SM	14	NUT, Hex, Serrated Flange, 3/8-16 (S/N 616 & up)
0480	5025013X14SM	8	CAPSCREW, Hex Head, 3/8-16 X 1-3/4
0490	5050878X3SM	4	CHAIN, 5/16" GD30, 3 LINKS

# Parking Brake Group

Note: Unless noted otherwise, use the standard torque specifications

Mfg. No: 2691814-00



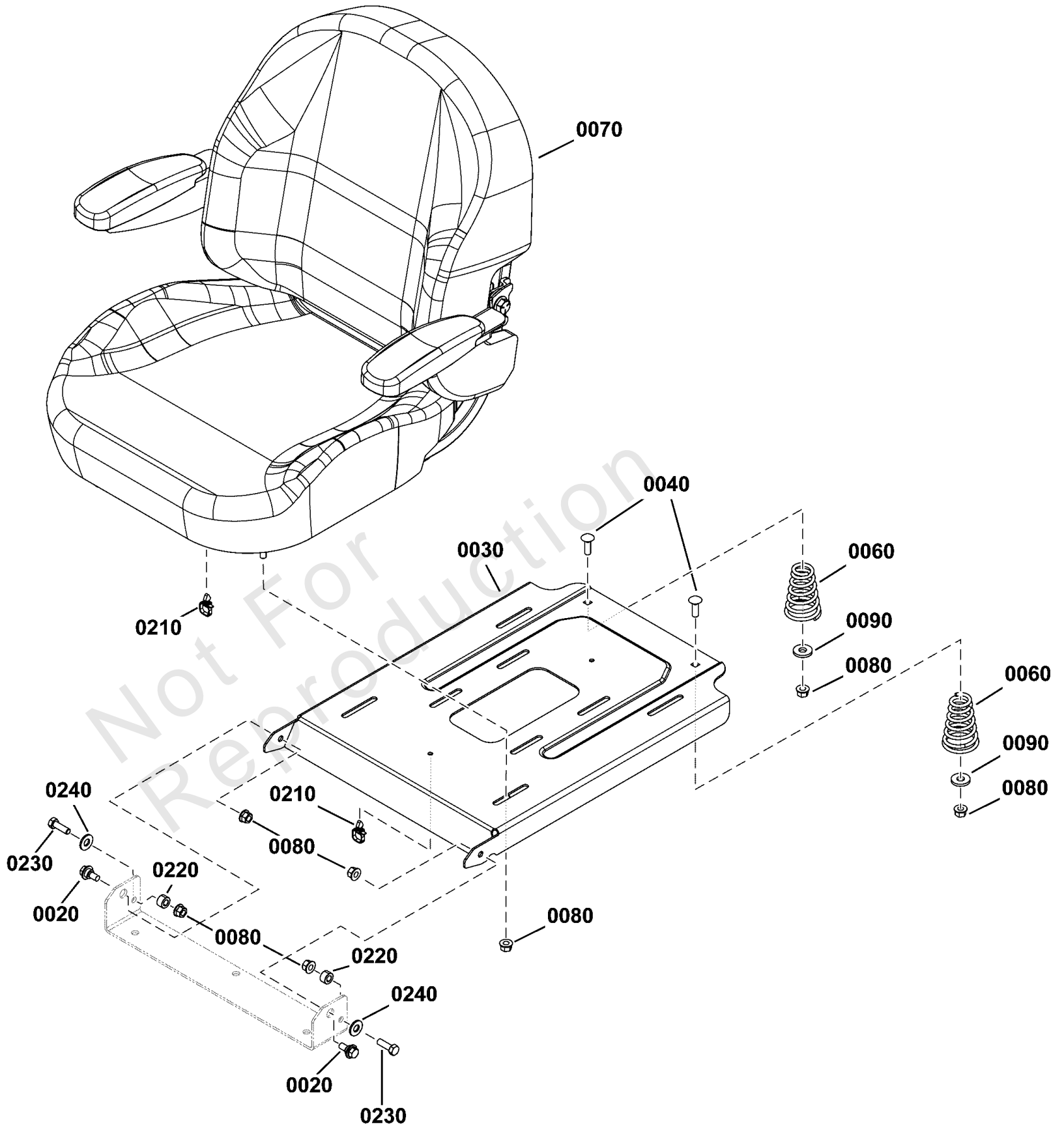
## Parking Brake Group

REF NO	PART NO	QTY	DESCRIPTION
0010	84006916	1	BRACKET, Parking Brake Lever
0020	84006917	1	LEVER, Parking Brake
0030	703589	1	CAPSCREW, Hex Head, 3/8-16 X 2, GR5
0050	703878	1	WASHER, Flat, 13/32 x 7/8 x .083
0055	7028036YP	4	SPRING, Friction Pack
0060	5025096SM	1	NUT, Hex, Nylon Lock, 3/8-16
0070	84006918	1	CABLE, Parking Brake, LH
0080	84006919	1	CABLE, Parking Brake, RH
0100	84001706	1	GRIP
0130	7090999SM	2	SCREW, Phillips Head, 1/4-20 X 5/8
0140	703586	2	TIE, Cable -(Not Illustrated)
0150	703175	3	BOLT, Carriage, 5/16-18 x 1 3/4
0180	5025127SM	1	NUT, Hex Serrated Flange, 5/16-18,
0190	5025011X12SM	2	CAPSCREW, Hex Head, 5/16-18 x 1-1/2
0200	5025392SM	2	NUT, Ny Lock Flange, 5/16-18

# Seat Group

Note: Unless noted otherwise, use the standard torque specifications

Mfg. No: 2691814-00



## Seat Group

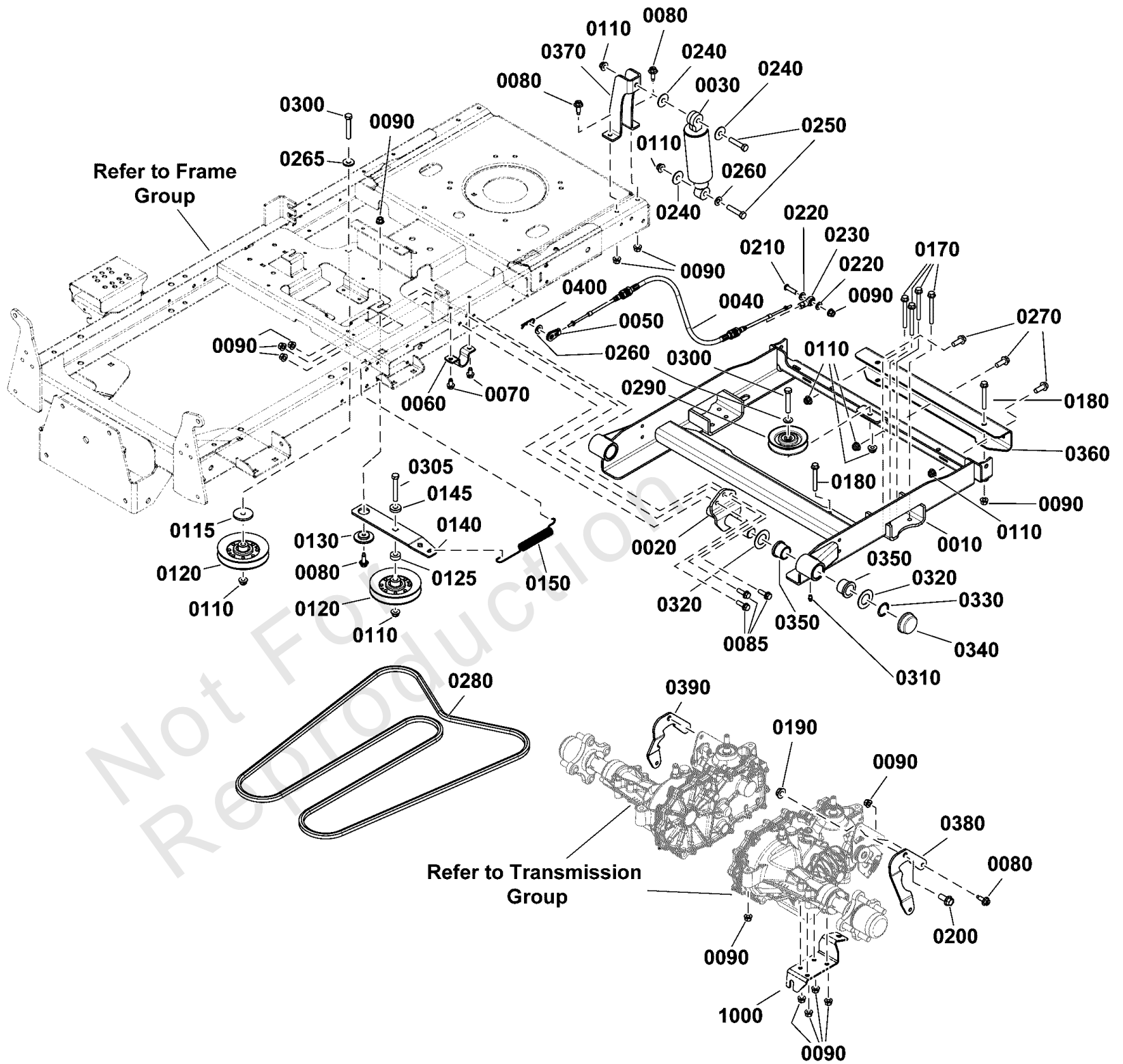
REF NO	PART NO	QTY	DESCRIPTION
0020	1752802YP	2	BOLT, Shoulder, 5/16-18 x 1.03LG
0030	1760194CYP	1	SLIDE, Seat
0040	703483	2	BOLT, Carriage, 5/16-18 X 1, GR5
0060	1717051SM	2	SPRING, Seat
0070	84006922	1	SEAT, Simplicity
0070-10	84006999	1	COVER, Cushion, Simplicity
0070-20	84007001	1	COVER, Back, Simplicity
0080	5025392SM	10	NUT, Ny Lock Flange, 5/16-18
0090	704128	2	WASHER, Flat
0210	708733	2	TIE, Cable 1/4
0220	5103767YP	2	SPACER, .33 X .63 X .36, PM, CZ
0230	5025011X8SM	2	CAPSCREW, Hex Head, 5/16-18 X 1
0240	703878	2	WASHER, Flat, 13/32 x 7/8 x .083

Not For Reproduction

# Suspension Group

Note: Unless noted otherwise, use the standard torque specifications

Mfg. No: 2691814-00





## Suspension Group

REF NO	PART NO	QTY	DESCRIPTION
0010	84007071	1	CARRIER, Transmission
0020	1758716CYP	2	SWING ARM, Rear
0030	1758705YP	2	**SHOCK ABSORBER, 10 1/2"
0040	1759206YP	2	CABLE, Push/Pull
0050	1759413YP	2	END, Cable
0060	1720147BZYP	2	STRAP
0070	703949	4	SCREW, Washer Head, 5/16-18 X 5/8
0080	1960667SM	7	CAPSCREW, Hex Flange Whiz Lock Dog Point, 5/16-18 x 1
0085	703410	6	BOLT, Serrated Flange, 5/16-18 X 1.0
0090	5025392SM	27	NUT, Ny Lock Flange, 5/16-18
0110	5025394SM	10	NUT, Hex Flange, Nylock, 3/8-16
0115	706128	1	SPACER, Idler
0120	1759212YP	2	PULLEY, V Idler, 4.50"
0125	1667811SM	1	SPACER
0130	1727935SM	1	SPACER, Pivot
0140	1761878AYP	1	ARM, Idler, Transmission
0145	5044960SM	1	SPACER, .39ID x 1 OD x 1/4
0150	1758045YP	1	SPRING, 7.18"Long, .75" OD, Extension
0170	707943	8	SCREW, Washer Head, 5/16-18 X 3
0180	770083	4	SCREW, Hex Washer, 5/16-18 X 2 1/2
0190	1930650SM	2	NUT, Hex Two Way, 7/16-14
0200	1960043SM	2	SCREW, Hex Flange, 7/16-14 X 1
0210	703172	2	SCREW, Button Head
0220	5025155SM	4	WASHER, 5/16
0230	5101801YP	2	JOINT, Ball, Female, 10-32
0240	5025165SM	6	WASHER, Fender, 3/8
0250	5025013X14SM	4	CAPSCREW, Hex Head, 3/8-16 X 1-3/4
0260	5025156SM	5	WASHER, Flat, 3/8
0265	704128	1	WASHER, Flat
0270	704038	3	SCREW, Hex Flange, Whiz Lock, 3/8-16 x 1
0280	885714YP	1	BELT, Deck
0290	885482YP	1	IDLER, Pulley
0300	703872	2	CAPSCREW, Hex Head, 3/8-16 X 2 1/4
0305	5025013X20	1	BOLT, 3/8-16 X 2-1/2" GD5 CZ
0310	1704314SM	2	FITTING, Lube, 1/4
0320	703199	4	WASHER, Flat
0330	703200	2	NUT, Push
0340	094618MA	2	HUB CAP
0350	1758717YP	4	BUSHING, Flange, 1 x 1
0360	1759163CYP	1	SUPPORT, Transmission
0370	1758778CYP	2	MOUNT, Rear Shock
0380	1759021AYP	1	ARM, Transmission, LH
0390	1759022AYP	1	ARM, Transmission, RH
0400	7091503SM	2	HAIR PIN, 3/32 x 1-1/2
1000	84006958	1	BRACKET, Transmission Cables, LH

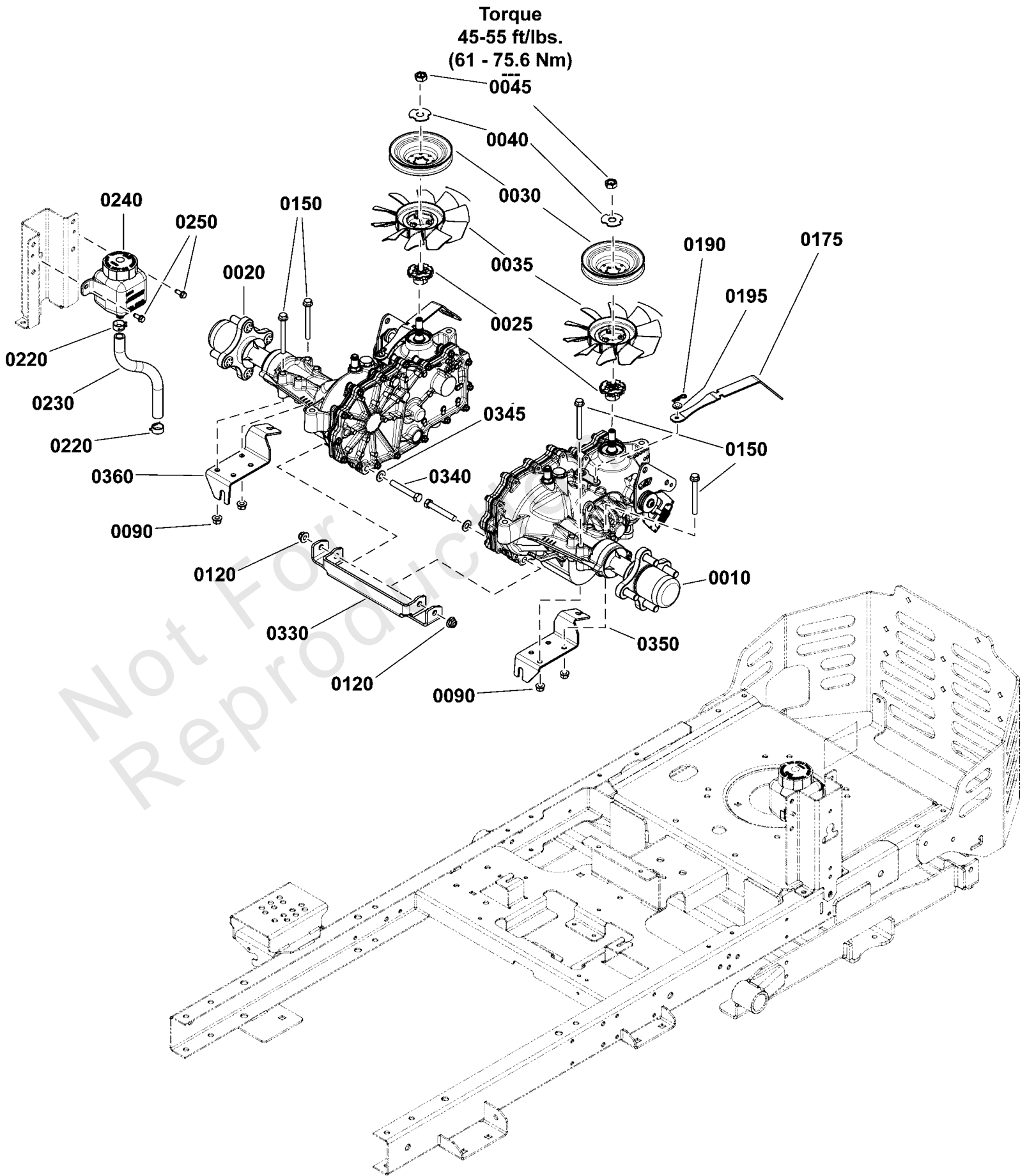
### Footnotes:

Note:\*\* Spring Rate 160lbs / 59.7kg +/- 10lbs / 3.7kg

# Transmission Group - Suspension

Note: Unless noted otherwise, use the standard torque specifications

Mfg. No: 2691814-00



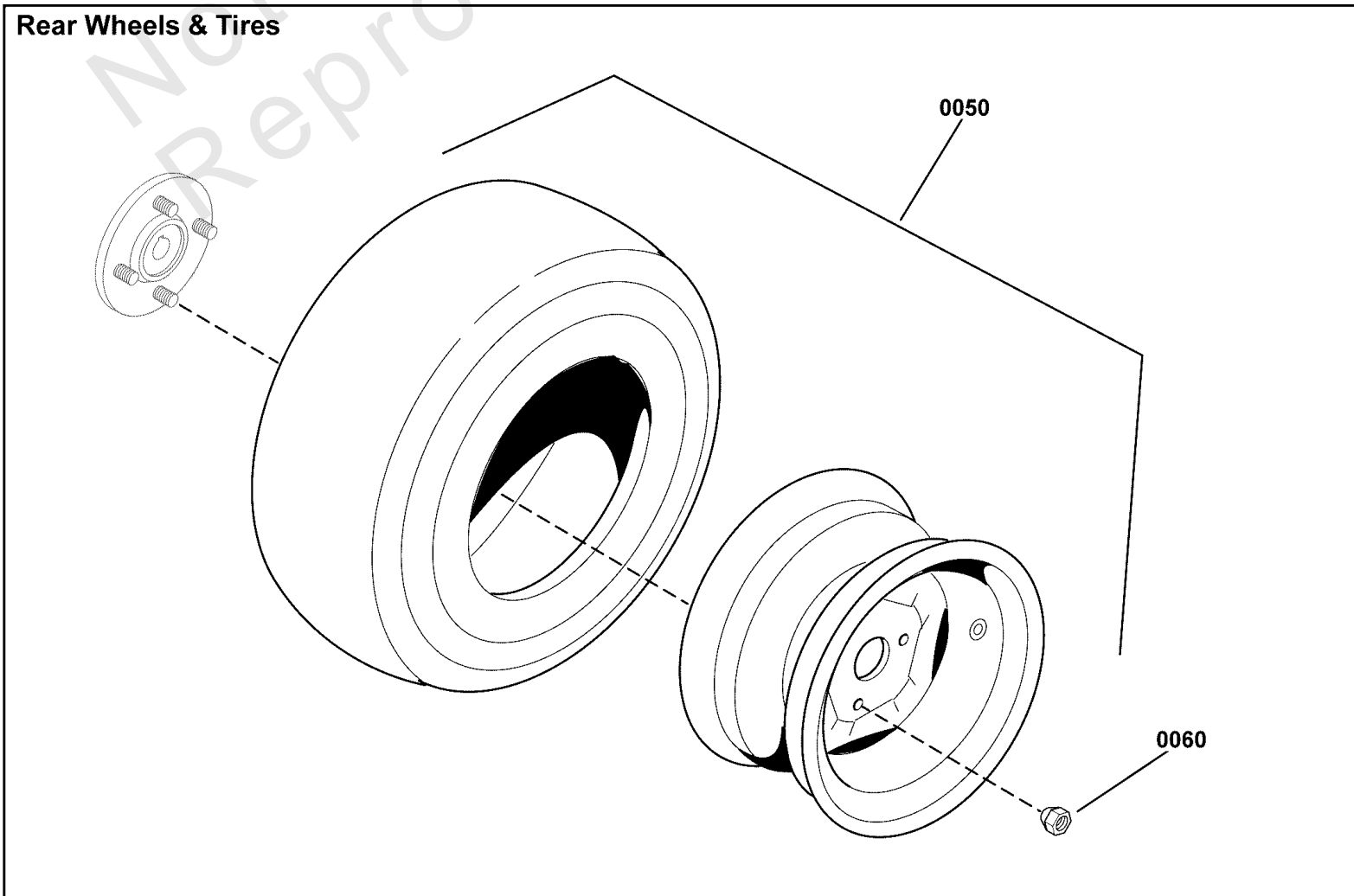
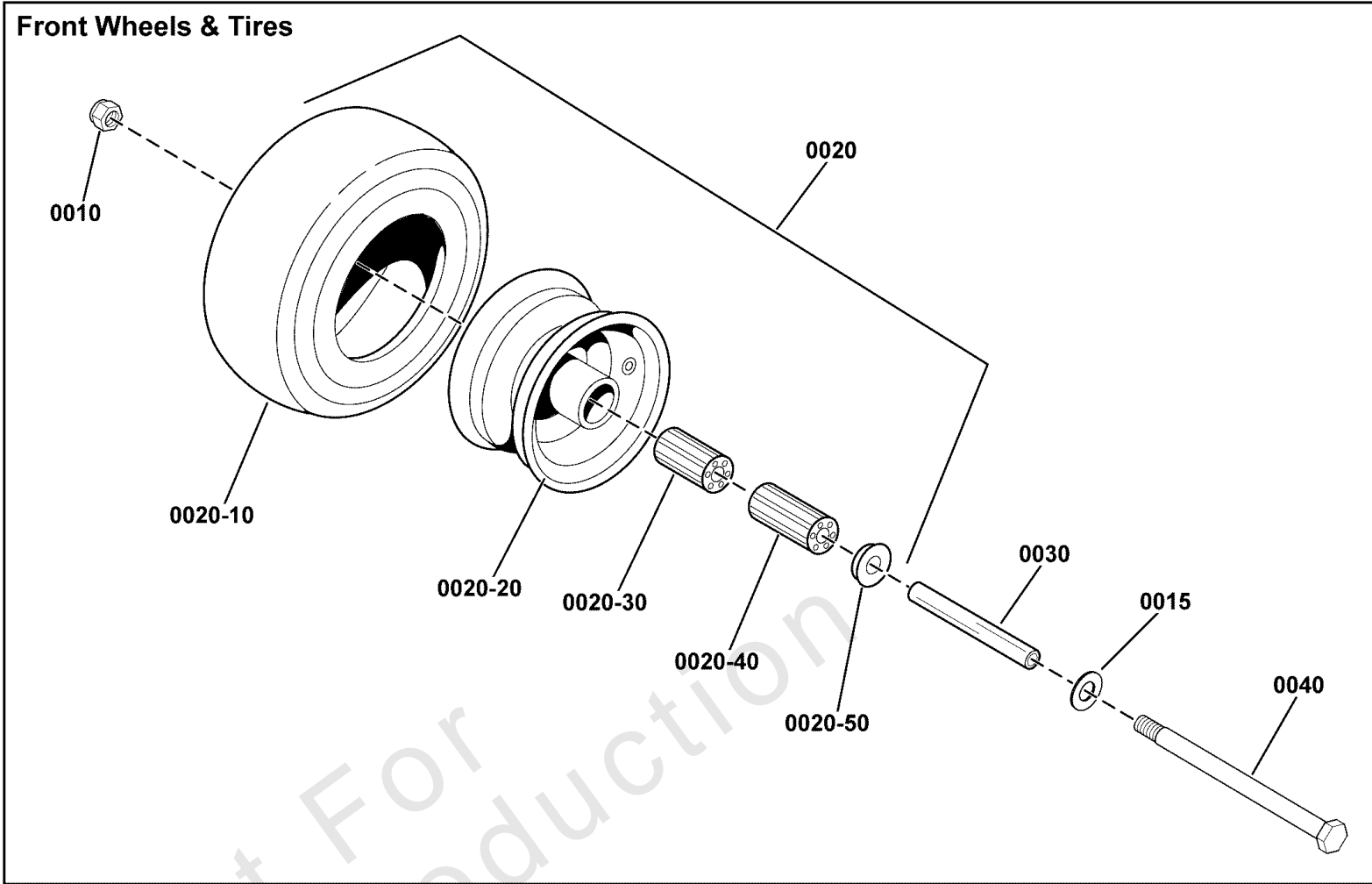
## Transmission Group - Suspension

REF NO	PART NO	QTY	DESCRIPTION
0010	84006911	1	TRANSAXLE, ZT3100, ZL-HPEE-UL7B-2XLX
0020	84006912	1	TRANSAXLE, ZT3100, ZL-GPEE-UL7B-2XLX
0025	84003847	2	SPACER, Transmission, 17 Tooth Spline
0030	1759447YP	2	PULLEY, Transmission
0035	84006901	2	FAN, 7"
0040	5102914YP	2	WASHER, Slotted
0045	5102916YP	2	NUT, ZT5400
0090	703115	4	NUT, Flange Nylock, 5/16-18
0120	5025394SM	2	NUT, Hex Flange, Nylock, 3/8-16
0150	707943	4	SCREW, Washer Head, 5/16-18 X 3
0175	1759276AYP	2	Valve, Tow
0190	703430	2	PIN, 13X1.19
0195	5025154	2	WASHER, 1/4 SAE
0220	5025474SM	4	CLAMP, Hose .75"
0230	5050857X105YP	2	HOSE, 10.5 OIL DRAIN
0240	5100473SM	2	RESERVOIR, Hydro
0250	703054	4	SCREW, Hex Washer Head, 1/4-20 x 5/8
0330	1759177CJYP	1	BRACKET, Support, Seat Pivot
0340	5025013X20	2	BOLT, 3/8-16 X 2-1/2" GD5 CZ
0345	5025156SM	2	WASHER, Flat, 3/8
0350	84006958	1	BRACKET, Transmission Cables, LH
0360	84006959	1	BRKT, Transmission Cables, RH

# Wheel & Tire Group

Note: Unless noted otherwise, use the standard torque specifications

Mfg. No: 2691814-00



## Wheel & Tire Group

REF NO	PART NO	QTY	DESCRIPTION
0010	5025396SM	2	NUT, Hex Flange, 1/2-13
0015	5025158SM	2	WASHER, 1/2
0020	84006934	2	WHEEL ASSEMBLY, Front, Grey
0020-10	84002535	2	TIRE, 13X650-6-4 PLY SMOOTH
0020-20	-----	2	Reference Only
0020-30	84002537	2	BEARING, OPEN GAGE ROLLER, 3/4" ID X 2.75"
0020-40	5021182SM	2	BEARING, Roller (1 per tire)
0020-50	5021043SM	2	RETAINER, Bearing
0030	84002029	2	CASTER AXLE SHAFT, .51"ID X .75"OD X7.16
0040	5025017X72YP	2	BOLT, 1/2-13 X 9 GD5 YZ
0050	84006936	2	WHEEL ASSEMBLY, Rear, Grey
0060	5020601SM	8	NUT, Lug, 1/2-20

Not For Reproduction

# Hardware Identification & Torque Specifications

Torque Specification Chart								
FOR STANDARD METRIC MACHINE HARDWARE (Tolerance ± 20%)								
Property Class	5.6		8.8		10.9		12.9	
	Class 5.6		Class 8.8		Class 10.9		Class 12.9	
Size Of Hardware	in/lbs	Nm.	in/lbs	Nm.	in/lbs	Nm.	in/lbs	Nm.
	ft/lbs		ft/lbs		ft/lbs		ft/lbs	
M3	5.88	.56	13.44	1.28	19.2	1.80	22.92	2.15
M4	13.44	1.28	30.72	2.90	43.44	4.10	52.56	4.95
M5	26.4	2.50	60.96	5.75	5.97	8.10	7.15	9.7
M6	44.64	4.3	7.3	9.9	10.3	14	12.1	16.5
M7	5.2	7.1	12.1	16.5	16.9	23	19.9	27
M8	7.7	10.5	17.7	24	25	34	29	40
M10	15	21	35	48	50	67	59	81
M12	26	36	61	83	86.2	117	103	140
M14	42	58	101	132	136	185	162	220
M16	64	88	147	200	210	285	250	340
M18	89	121	202	275	287	390	346	470
M20	126	171	290	390	405	550	486	660
M22	169	230	390	530	559	745	656	890
M24	217	295	497	375	708	960	840	1140
M27	320	435	733	995	1032	1400	1239	1680
M30	435	590	995	1350	1401	1900	1681	2280
M33	590	800	1349	1830	1902	2580	2278	3090
M36	759	1030	1740	2360	2441	3310	2935	3980
M39	988	1340	2249	3050	3163	4290	3798	5150

Torque Specification Chart						
FOR STANDARD MACHINE HARDWARE (Tolerance ± 20%)						
Hardware Grade	No Marks		SAE Grade 5		SAE Grade 8	
	SAE Grade 2		SAE Grade 5		SAE Grade 8	
Size Of Hardware	in/lbs	Nm.	in/lbs	Nm.	in/lbs	Nm.
	ft/lbs		ft/lbs		ft/lbs	
8-32	19	2.1	30	3.4	41	4.6
8-36	20	2.3	31	3.5	43	4.9
10-24	27	3.1	43	4.9	60	6.8
10-32	31	3.5	49	5.5	68	7.7
1/4-20	66	7.6	8	10.9	12	16.3
1/4-28	76	8.6	10	13.6	14	19.0
5/16-18	11	15.0	17	23.1	25	34.0
5/16-24	12	16.3	19	25.8	29	34.0
3/8-16	20	27.2	30	40.8	45	61.2
3/8-24	23	31.3	35	47.6	50	68.0
7/16-14	30	40.8	50	68.0	70	95.2
7/16-20	35	47.6	55	74.8	80	108.8
1/2-13	50	68.0	75	102.0	110	149.6
1/2-20	55	74.8	90	122.4	120	163.2
9/16-12	65	88.4	110	149.6	150	204.0
9/16-18	75	102.0	120	163.2	170	231.2
5/8-11	90	122.4	150	204.0	220	299.2
5/8-18	100	136	180	244.8	240	326.4
3/4-10	160	217.6	260	353.6	386	525.0
3/4-16	180	244.8	300	408.0	420	571.2
7/8-9	140	190.4	400	544.0	600	816.0
7/8-14	155	210.8	440	598.4	660	897.6
1-8	220	299.2	580	788.8	900	1,244.0
1-12	240	326.4	640	870.4	1,000	1,360.0

The guides and ruler furnished below are designed to help you select the appropriate hardware.

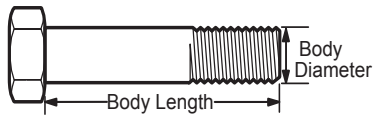


Nut, M8

Thread Diameter (mm)

Inside Diameter (in)      Threads per inch

Nut, 1/2-16

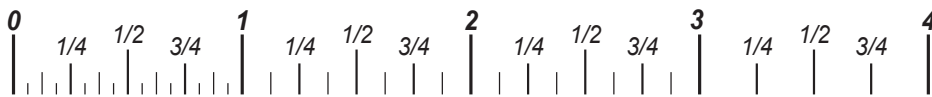


Screw, M8- 1.25 x 25

Thread Diameter (mm)      Distance between threads (mm)      Body Length (mm)

Body Diameter      Threads per inch      Body Length (in)

Screw, 1/2- 16 x 2



## Standard Hardware Sizing

When a washer or nut is identified as 1/2" (M8), this is the *Nominal size*, meaning the *inside diameter* is 1/2 inch (8mm metric thread diameter); if a second number is present it represents the *threads per inch* (distance between threads).

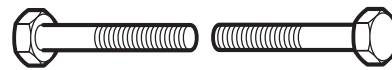
When bolt or capscrew is identified as 1/2 - 16 x 2" (M8 - 1.25 x 50), this means the *Nominal size*, or body diameter is 1/2 inch (8mm metric thread diameter), the second number, 16, represents the *threads per inch*, (*distance between threads*). The final number is the body length of the bolt or screw, 2 inches (50mm).

## NOTES

- These torque values are to be used for all hardware excluding: locknuts, self-tapping screws, thread forming screws, sheet metal screws and socket head setscrews.
- Recommended seating torque values for locknuts:
  - for prevailing torque locknuts - use 65% of grade 5 torques.
  - for flange whizlock nuts and screws - use 135% of grade 5 torques.
- Unless otherwise noted on assembly drawings, all torque values must meet this specification.

## Common Hardware Types

Hex Head Capscrew



Washer



Carriage Bolt



Hex Nut

## Wrench & Fastener Size Guide

1/4" Bolt or Nut Wrench—7/16"	5/16" Bolt or Nut Wrench—1/2"	3/8" Bolt or Nut Wrench—9/16"	7/16" Bolt or Nut Wrench (Bolt)—5/8" Wrench (Nut)—11/16"	1/2" Bolt or Nut Wrench—3/4"
M6 Bolt or Nut Wrench—10mm	M8 Bolt or Nut Wrench—13mm	M10 Bolt or Nut Wrench—17mm	M12 Bolt or Nut Wrench—19mm	M14 Bolt or Nut Wrench—22mm

