



# Parts Manual

Mfg. No: 1696755-00  
1222EE, 11.5TP 22" Single Stage  
Snowthrower





---

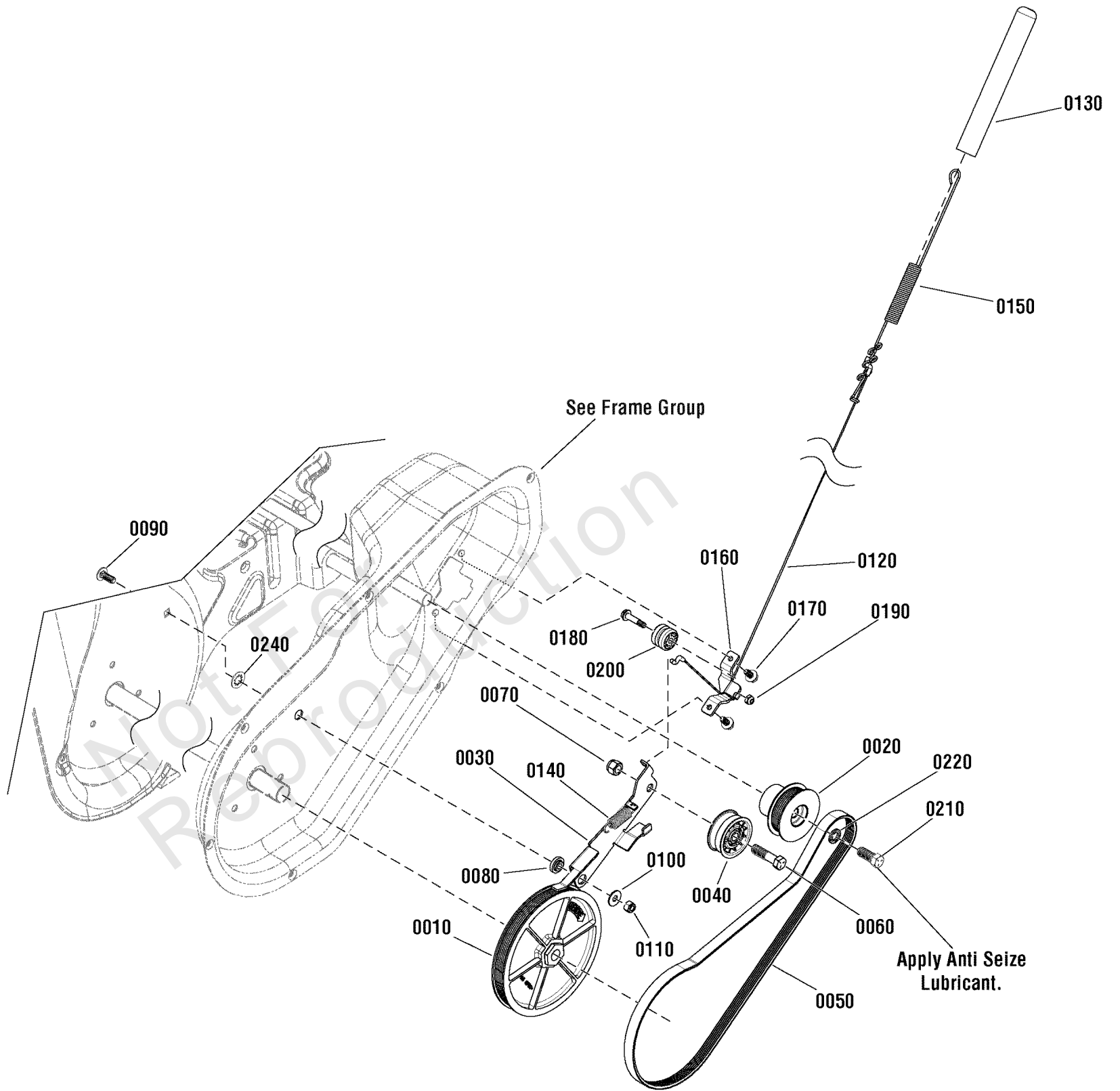
<b>Model Components</b>	<b>Page</b>
Auger Drive Group.....	4
Auger Group.....	6
Chute Group - Electric.....	8
Chute Rotation Group - Electric.....	10
Decals Group.....	12
Engine Group - 9.5 & 11.5GTP.....	14
Frame Group.....	16
Handles & Controls Group.....	18
Light Panel Group.....	20
Wheel & Body Covering Group.....	22
Torque Specification Chart.....	24

Not For  
Reproduction

# Auger Drive Group

Note: Unless noted otherwise, use the standard torque specifications

Mfg. No: 1696755-00



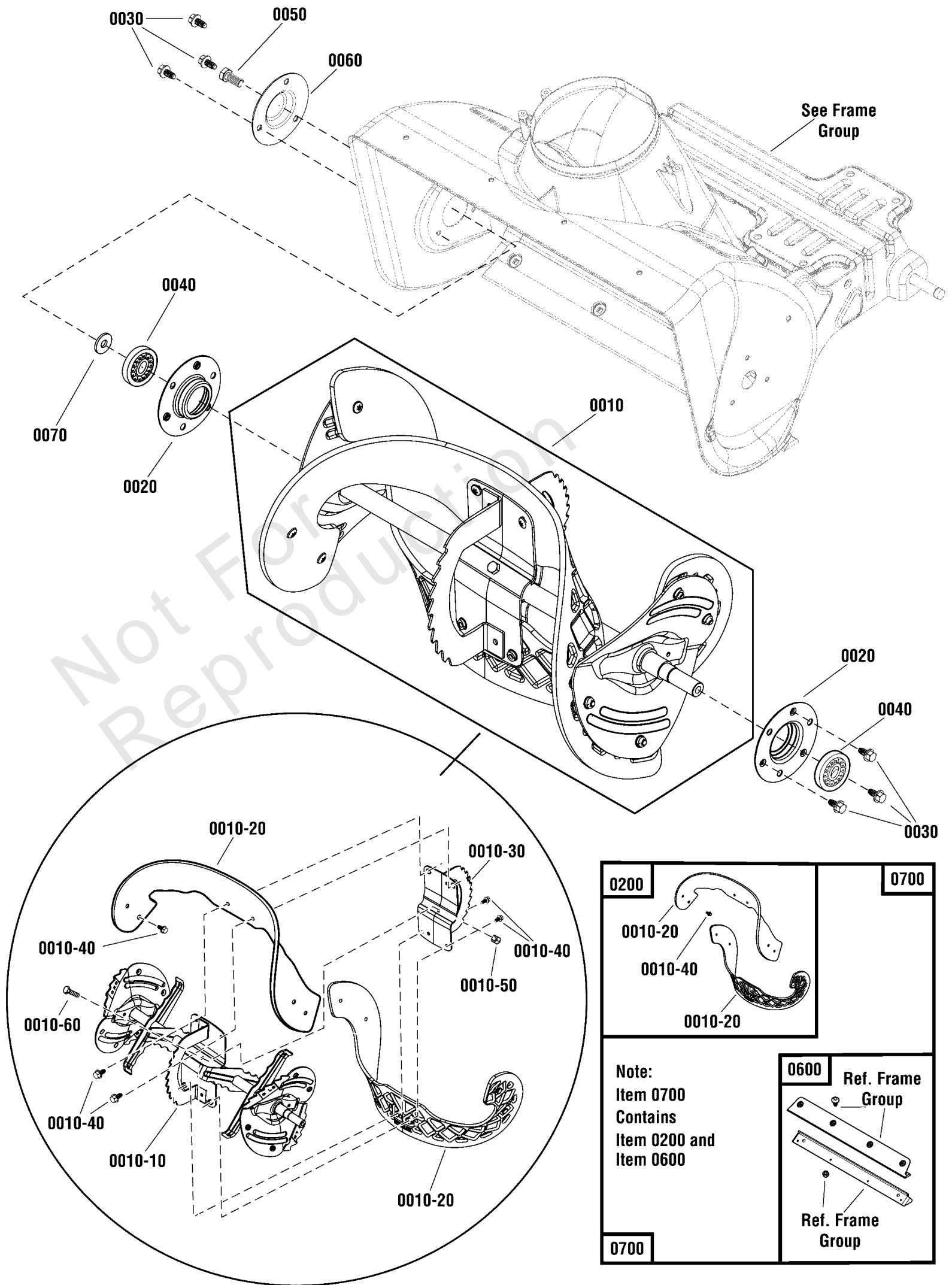
## Auger Drive Group

REF NO	PART NO	QTY	DESCRIPTION
0010	707379	1	PULLEY, Driven
0020	1739179YP	1	PULLEY, Driver
0030	1739526YP	1	ARM, Idler, Drive
0040	1502120MA	1	IDLER, Plastic all Bearing
0050	1739338YP	1	BELT, Drive
0060	703406	1	CAPSCREW, Hex Head, 3/8-16X1-1/2
0070	703117	1	NUT, Nylock, 3/8
0080	1739709YP	1	SPACER, Idler Arm
0090	1931318SM	1	BOLT, Carriage, 1/4-20 x 3/4 G5
0100	7091253YP	1	WASHER, Flat, .281 X 3/4 x 1/2
0110	703232	1	NUT, Nylock, 1/4
0120	727331	1	CABLE, Handle
0130	1739935YP	1	BOOT, Clutch Spring
0140	1750226YP	1	SPRING, Idler
0150	1750315YP	1	SPRING, Extension
0160	1750329YP	1	BRKT, Cable Guide
0170	704130	2	SCREW, Hex Washer Head, Trilob, 1/4-20 x 1/2
0180	1750594YP	1	CAPSCREW, Hex Shoulder, 1/4 x 3/4
0190	703937	1	NUT, Locking, #10
0200	579860MA	1	SPOOL CABLE, Auger Control
0210	001X20MA	1	CAPSCREW, Hex Head, 3/8-24 x 1
0220	703454	1	WASHER, Locking, 3/8
0240	703826	1	NUT, Push, 1/4

# Auger Group

Note: Unless noted otherwise, use the standard torque specifications

Mfg. No: 1696755-00



## Auger Group

REF NO	PART NO	QTY	DESCRIPTION
0010	1687814	1	*AUGER ASSEMBLY, Complete -(Includes Ref. Nos. 0010-10 thru 0010-0060)
0010-10	-----	1	*AUGER SHAFT ASSEMBLY
0010-20	-----	2	**FLIGHT, Auger
0010-30	-----	2	*PLATE, Auger, Center
0010-40	7091246YP	12	SCREW, 1/4-20 x 3/4, Pan Head Torx
0010-50	7091603	1	NUT, Nylock, 1/4-20
0010-60	51374	1	CAPSCREW, Hex Head, 1/4-20 X 1 1/2, G5
0020	1739228	2	RETAINER, Bearing
0030	1750447	6	SCREW, Hex Washer Head, Trilob, 1/4-20 x 1/2
0040	1705897	2	BEARING, Ball, 11/16 x 1-9/16 x 15/32
0050	22142	1	CAPSCREW, Hex Head, 5/16-18 x 3/4
0060	1739229A	1	CAP, BEARING
0070	7900022	1	WASHER, Flat, 7/8 x 21/64
0200	1687804		KIT, AUGER FLIGHT -(Includes Ref. Nos. 0010-20 & 0010-40)
0600	1687805	1	KIT, Scaper Bar
0700	1687806	1	KIT, Auger Flight & Scaper Bar -(Includes Ref. Nos. 0200 & 0600)

Not For  
Reproduction

---

**Footnotes:**

Note: \*\* Not a servicable part, order Auger Flight Kit 1687489YP

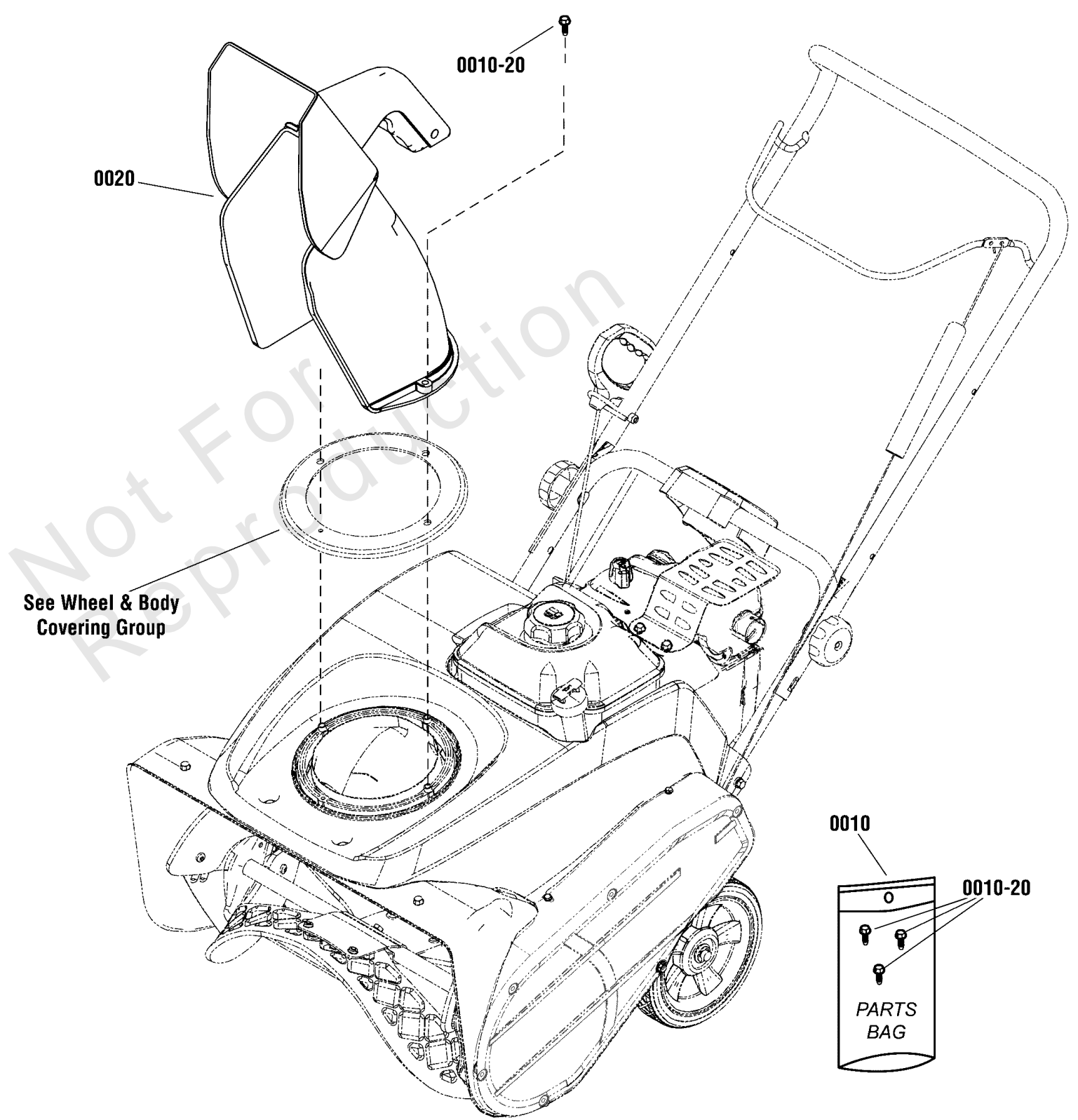
Note: \* Not a servicable part, order complete Auger Assembly

Note: \* Service kit only, Pewter Grey

# Chute Group - Electric

Note: Unless noted otherwise, use the standard torque specifications

Mfg. No: 1696755-00





## Chute Group - Electric

REF NO	PART NO	QTY	DESCRIPTION
0010	-----	1	PARTS BAG -(Not a serviceable part, order item 0010-20)
0010-20	1751399YP	3	SCREW, Hex Washer Head, HI-LO, 1/4-15 x 1-1/4
0020	709756	1	CHUTE ASSEMBLY

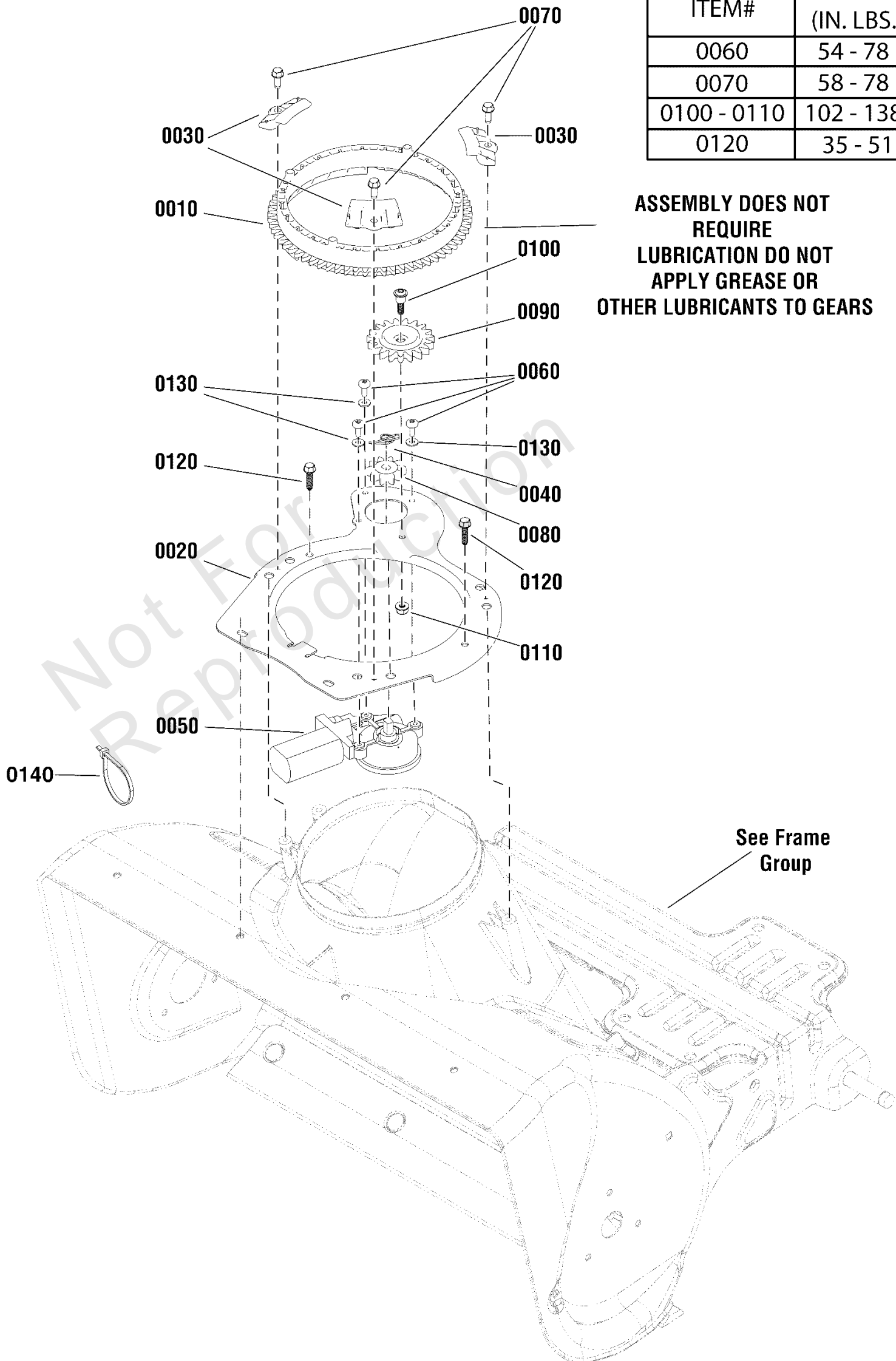
Not For Reproduction

# Chute Rotation Group - Electric

Note: Unless noted otherwise, use the standard torque specifications

Mfg. No: 1696755-00

ITEM#	TORQUE (IN. LBS.)
0060	54 - 78
0070	58 - 78
0100 - 0110	102 - 138
0120	35 - 51



## Chute Rotation Group - Electric

REF NO	PART NO	QTY	DESCRIPTION
0010	706509	1	GEAR, Chute Rotation
0020	706510	1	PLATE, Chute Mounting
0030	-----	3	RETAINER, Chute
0040	7091594SM	1	PIN, Cotter, 1/2
0050	1739309YP	1	MOTOR, Chute Rotation
0060	1739621YP	3	SCREW, Torx Button Head, M5 x .8 x 14
0070	703054	3	SCREW, Hex Washer Head, 1/4-20 x 5/8
0080	706512	1	GEAR, 10T
0090	706513	1	GEAR, 19T
0100	706514	1	SCREW, Shoulder Button Washer Head, 1/4-20 x 1.00
0110	703463	1	NUT, Flange Nylock , 1/4-20
0120	706516	2	SCREW, High-Low, 1/4-15 x 1.00
0130	7091552SM	3	WASHER, Flat, 1/4
0140	7024649YP	1	WIRE TIE, 11 Inch Standard Black Nylon

Not For Reproduction

**Simplicity**

0070

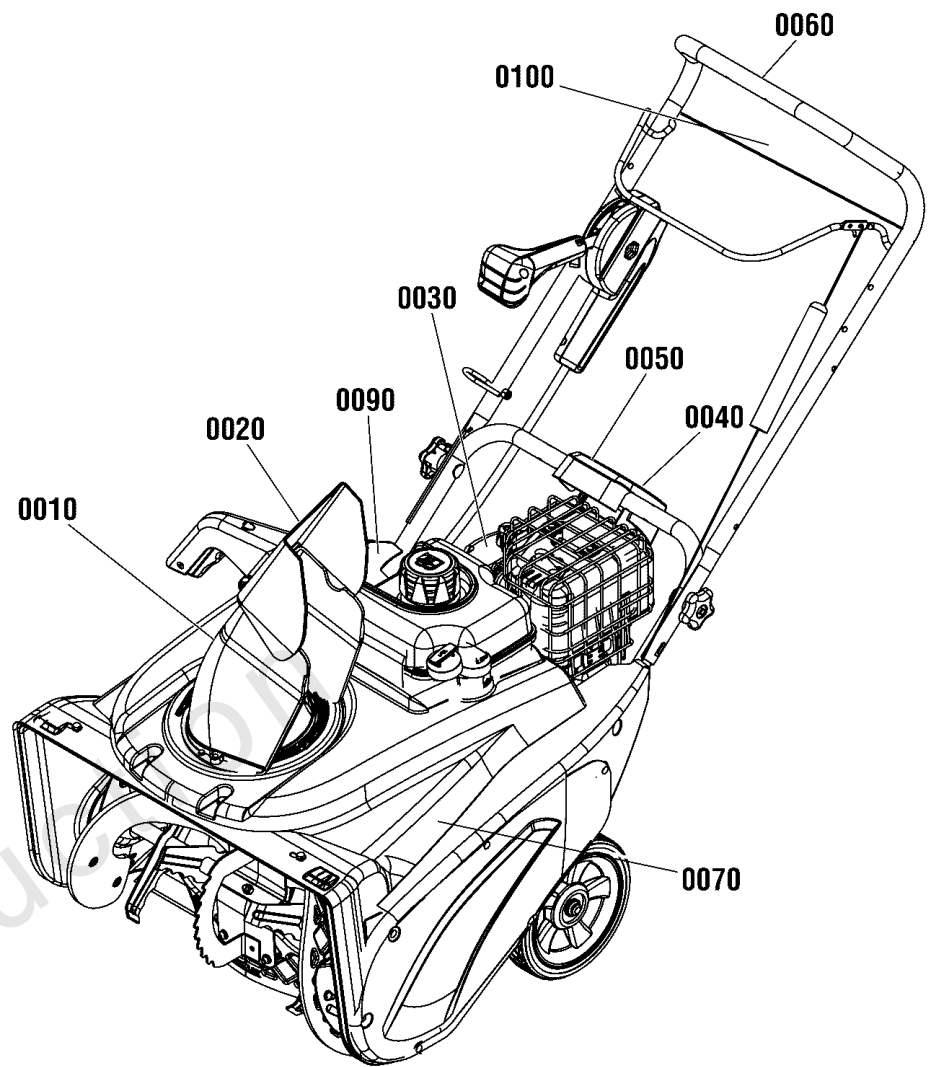
**1022**

**1022E**

**1022EX**

**1222EE**

0090



**⚠ DANGER**  
**Amputation hazard**  
 Contact with moving parts inside chute will cause serious injury.  
 • Shut off engine before unclogging discharge chute.  
 • Use clean-out tool, not hands!

**Risque d'amputation**  
 Tout contact avec des pièces en mouvement à l'intérieur de la goulotte provoquera de graves blessures.  
 • Arrêter le moteur avant de dégager la goulotte d'éjection.  
 • Utiliser l'outil de dégagement, pas les mains!

1727985

0020



0100

**STEPS TO EASY STARTING**  
**ÉTAPES POUR UN DÉMARRAGE FACILE**

- 1 Turn engine ON  
Mettez le moteur sur « ON » (marche)
- 2 Turn choke knob to CHOKE  
Tournez le bouton de l'étrangleur sur « CHOKE »
- 3 Push Button to Start  
Appuyez sur le bouton pour démarrer

For COLD engine PRIME 2X  
 Si le moteur est FROID amorcez-le 2 fois

After engine starts, turn to RUN  
 Une fois le moteur en marche, mettez-le sur « RUN »

0030

<p><b>⚠ DANGER</b></p> <p>Shut off engine and remove key before performing maintenance or repair work.</p>		<p>Arrêter le moteur et retirer la clé avant d'effectuer tout entretien ou toute réparation.</p>
<p>Read the operator's manual for operating and safety instructions.</p>		<p>Lire les consignes de sécurité et d'utilisation dans le manuel d'utilisation.</p>
<p><b>Thrown Objects Hazard</b>                  • Never direct discharge chute towards persons or property.</p>		<p><b>Danger objets projetés</b>                  • Ne jamais diriger la chute en direction des personnes ou biens matériels.</p>
<p><b>Amputation Hazard</b>                  • Contact with auger will cause serious injury.                  • Keep hands, feet and clothing away.                  • Keep bystanders away.</p>		<p><b>Risque d'amputation</b>                  • Tout contact avec la tarière provoquera de graves blessures.                  • Tenir vos pieds, vos mains et vêtements à distance.                  • Tenir les spectateurs à distance.</p>

This spark ignition system complies with the Canadian standard CCS-202.  
 Ce système d'allumage par étincelle est conforme à la norme canadienne CCS-202.

1727990

0010

**Plug in extension cord or Pull rope**  
 Branchez le cordon d'extension ou tirez la corde

**Push Button to Start**  
 Appuyez sur le bouton pour démarrer

0040

0050



0060

## Decals Group

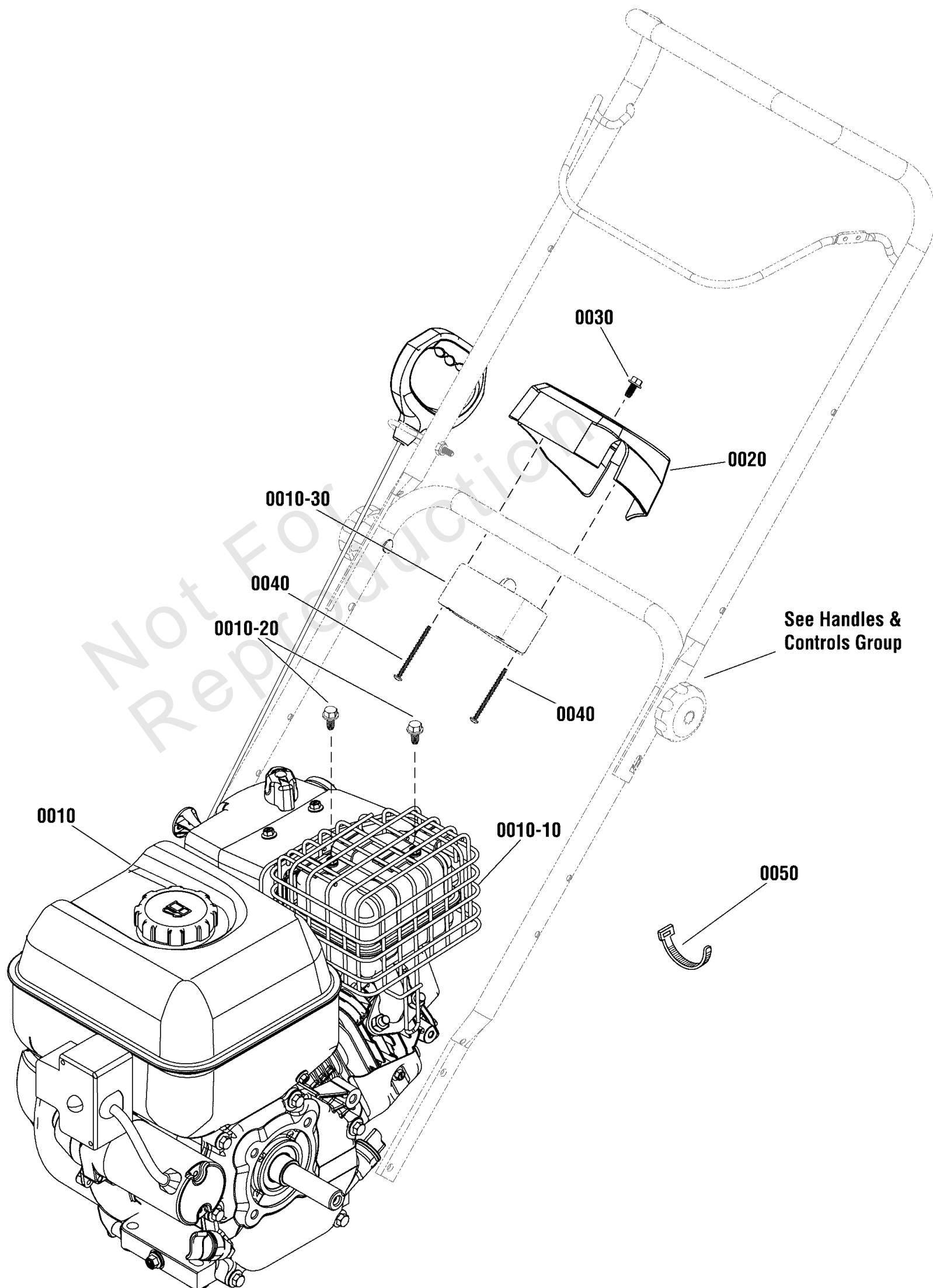
REF NO	PART NO	QTY	DESCRIPTION
0010	1739966YP	1	DECAL, Chute, FR-EN
0020	1737865YP	1	DECAL, Danger, Chute, FR/ENG
0030	1739970YP	1	DECAL, 1-2-3 Start, FR-EN -(Used on Electric Start Models)
0040	1750734YP	1	DECAL, 4, START, FR-EN -(Used on Electric Start Models)
0050	1750736YP	1	DECAL, 5, START, FR-EN -(Used on Electric Start Models)
0060	1739977YP	1	DECAL, Bail Engagement
0070	1757674YP	2	DECAL, Simplicity
0090	770576	1	DECAL, Model, 1022
0090	770579	1	DECAL, Model, 1022E
0090	770580	1	DECAL, Model, 1022EX
0090	706494	1	DECAL, Model, 1222EE
0100	706495	1	DECAL, Blade Swoosh -(Used on Light Panel Models)

Not For Reproduction

# Engine Group - 9.5 & 11.5GTP

Note: Unless noted otherwise, use the standard torque specifications

Mfg. No: 1696755-00



## Engine Group - 9.5 & 11.5GTP

REF NO	PART NO	QTY	DESCRIPTION
0010	13A132-0003-F1	1	ENGINE, Briggs & Stratton, 9.5 GTP, Snow Series -(Engine Model: 13A132-0003-F1) (Refer to Note: *)
0010	13A135-0002-F1	1	ENGINE, Briggs & Stratton, 9.5 GTP, Snow Series -(Engine Model: 13A135-0002-F1) (Refer to Note: *)
0010	15C107-0014-F8	1	* ENGINE, Briggs & Stratton, 11.5 GTP, 1150 Series -(Engine Model: 15C107-0014-F8) (Refer to Note: *)
0010-10	591443	1	GUARD, Muffler -(Used on 9.5GTP Models) (Refer to Note: *)
0010-10	799028	1	* GUARD, Muffler -(Used on 11.5GTP Models) (Refer to Note: *)
0010-20	590850	2	SCREW -(Used on 9.5GTP Models) (Refer to Note: *)
0010-20	699854	3	* SCREW, Muffler Guard -(Used on 11.5GTP Models) (Refer to Note: *)
0010-30	-----	1	* STARTER, 110V -(Refer to Note: *)
0020	1754873YP	1	HOUSING, Starter, 110V -(Used on 9.5GTP Electric Start Models)
0020	1750032YP	1	HOUSING, Starter, 110V -(Used on 11.5GTP Electric Start Models)
0030	704130	1	SCREW, Taptite, 1/4-20 x 1/2
0040	703066	2	SCREW, 8-16 x 2, Pan Head Phillips, Plast. -(Used on 9.5GTP Electric Start Models)
0040	1750593YP	2	SCREW, Pan Head Phillips, Plast., 8-16 x 2 -(Used on 11.5GTP Electric Start Models)
0050	7024641YP	4	WIRE TIE, 5.5" L

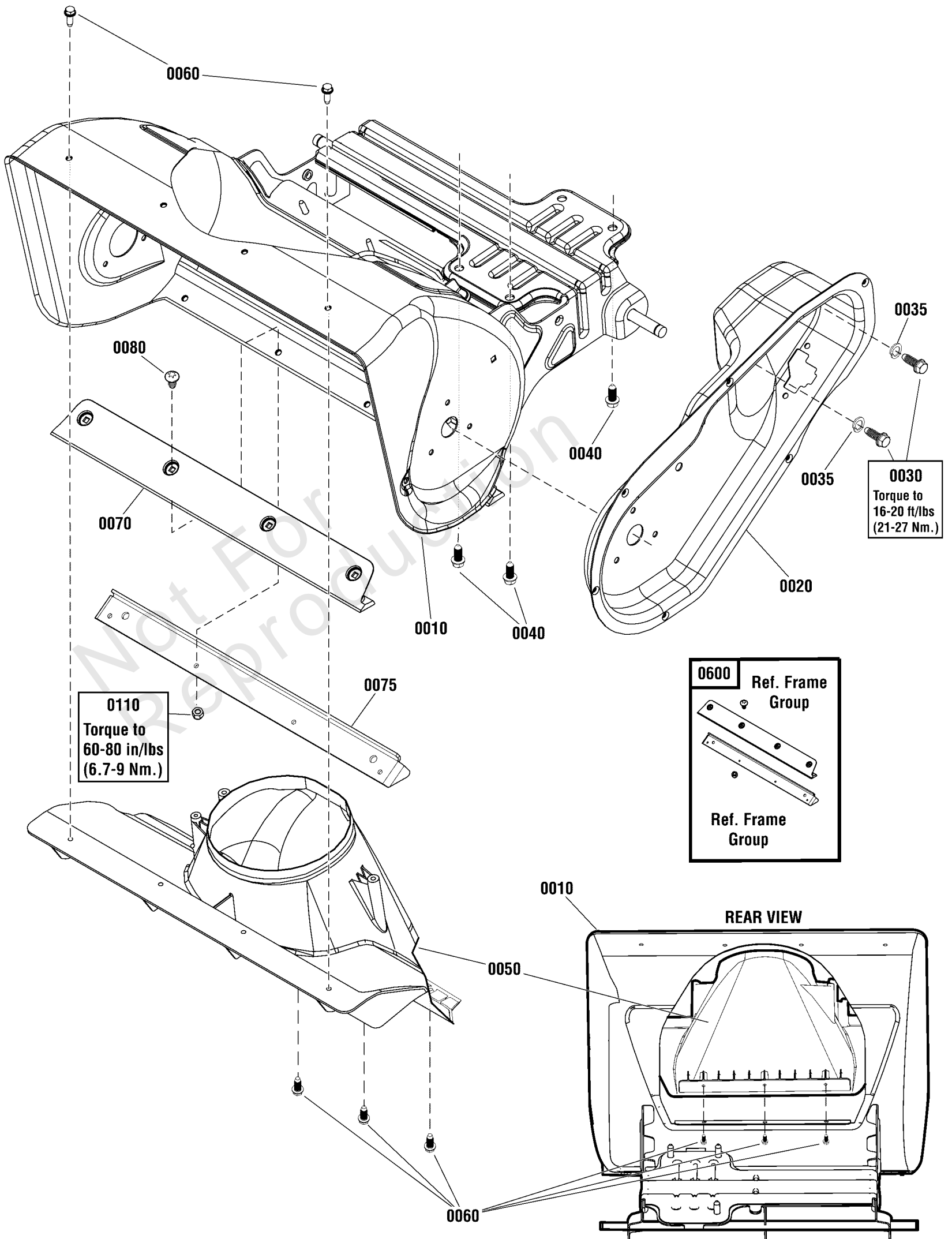
### Footnotes:

Note:\* To verify your specific engine model, please reference the ID Tag located on your engine. See your local Briggs & Stratton distributor for parts and service.

# Frame Group

Note: Unless noted otherwise, use the standard torque specifications

Mfg. No: 1696755-00





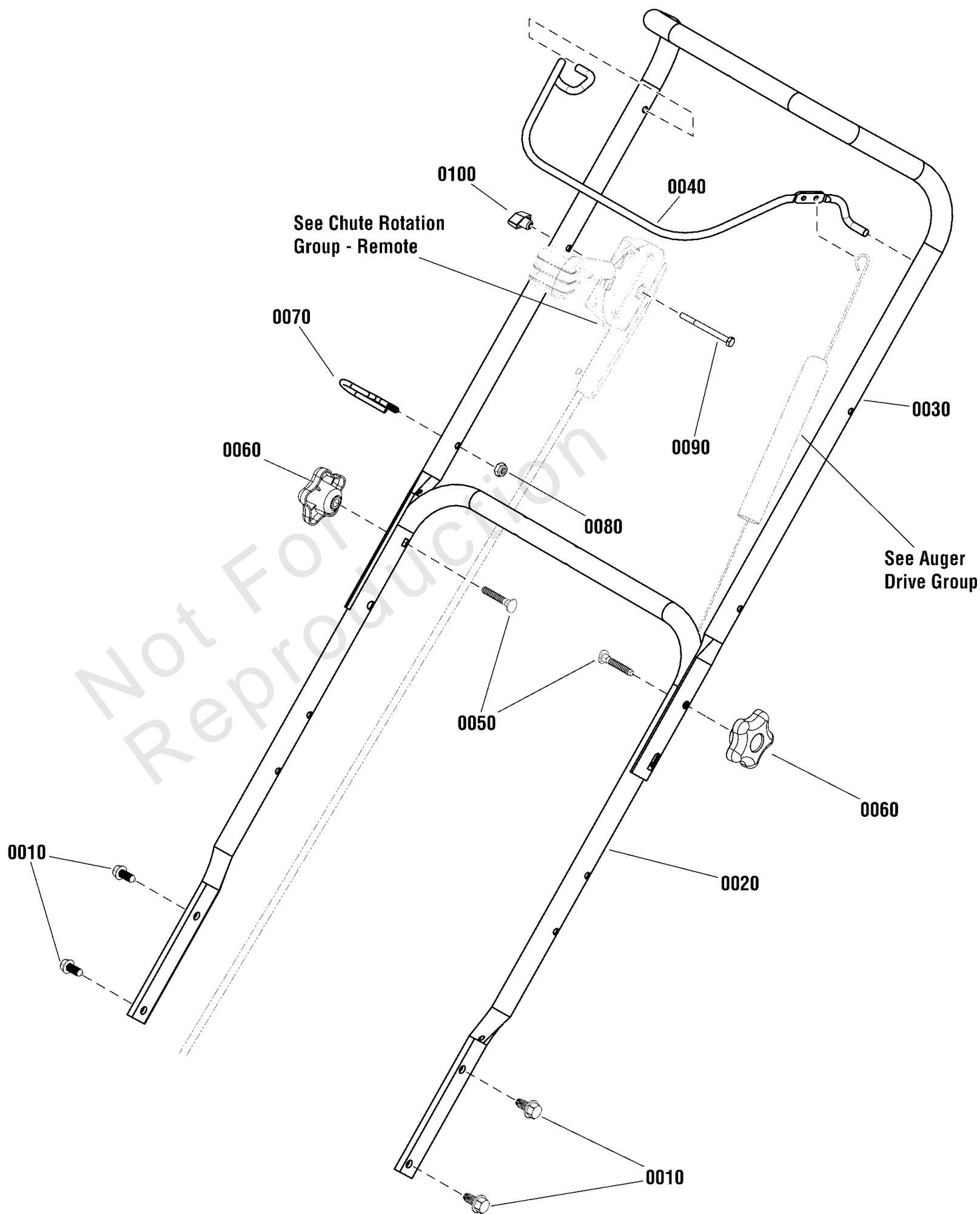
## Frame Group

REF NO	PART NO	QTY	DESCRIPTION
0010	1756280AYP	1	FRAME ASSEMBLY
0020	709751	1	HOUSING, Drive
0030	1752876YP	2	CAPSCREW, Hex Head, 5/16-24 x 5/8
0035	703116	2	WASHER, Split Lock, .32 x .58 x .08
0040	75246GS	3	SCREW, Hex Washer Head, Taptite, 3/8-16 x 1-1/4
0040	2828635SM	3	SCREW, Taptite, 3/8-16 X 1 1/4
0050	707849	1	CHIMNEY
0060	7091081SM	5	SCREW, 1/4-15X3/4, Self-Tapping, BZ
0070	-----	1	SCRAPER BAR -(Included with Ref. No. 0600)
0075	1752660AYP	1	SUPPORT, Scraper Blade -(Included with Ref. No. 0600)
0080	5025299X5YP	4	SCREW, 1/4-20 X 5/8 -(Included with Ref. No. 0600)
0110	1752935YP	4	NUT, 1/4-20, Nylon Hex, CZ -(Included with Ref. No. 0600)
0600	1687805	1	KIT, Scraper Bar -(Includes Ref. Nos. 0070, 0075 & Hardware)

# Handles & Controls Group

Note: Unless noted otherwise, use the standard torque specifications

Mfg. No: 1696755-00



## Handles & Controls Group

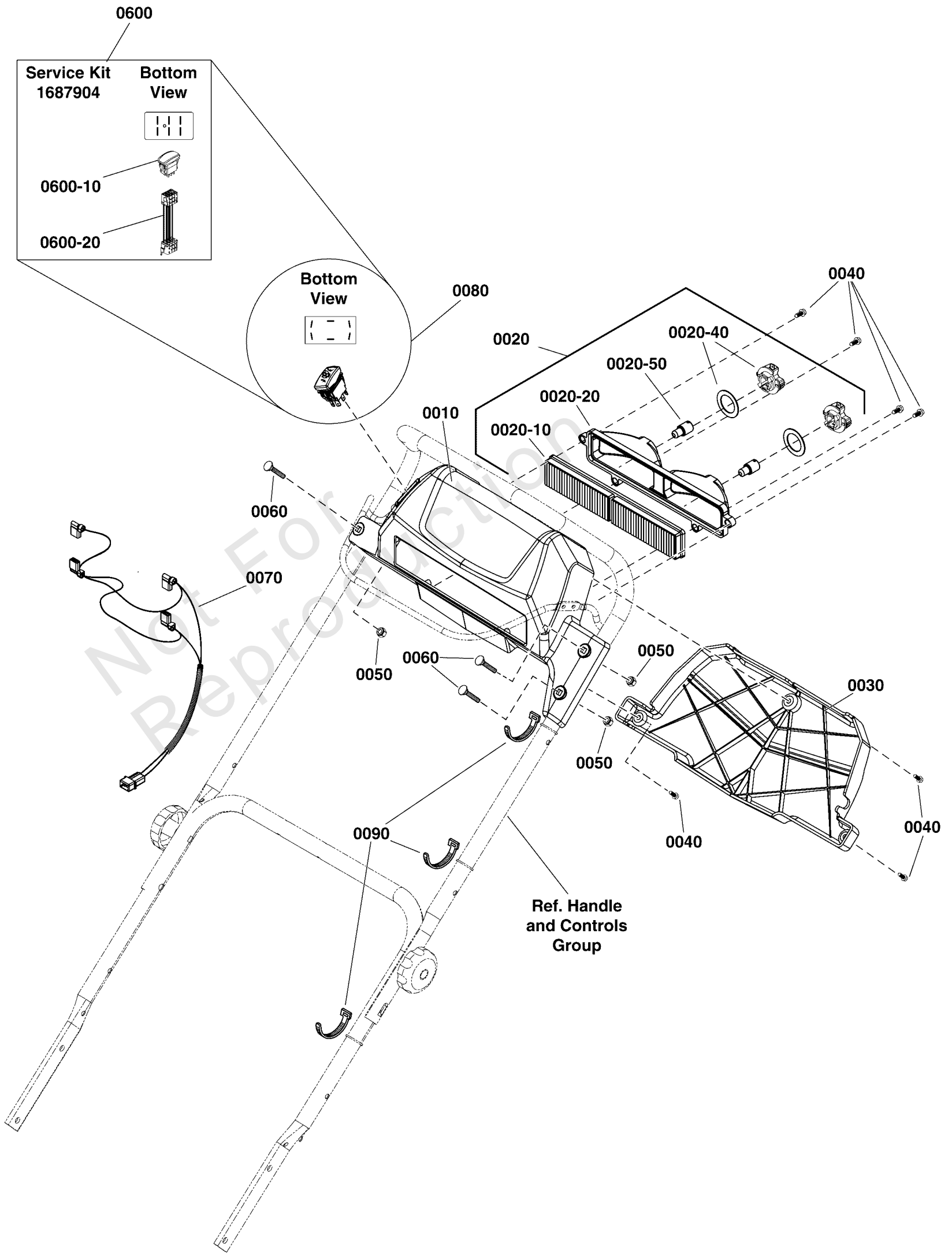
REF NO	PART NO	QTY	DESCRIPTION
0010	703949	4	SCREW, Hex Washer Head, Taptite, 5/16-18 x 5/8
0020	770051	1	HANDLEBAR, Lower
0030	705750	1	HANDLEBAR, Upper
0040	1739361BNYP	1	BAIL, Engine Stop
0050	703059	2	BOLT, Carriage, Curved Head, 5/16 x 2, G2
0060	7105085YP	2	KNOB, 5 Prong, 5/16-18
0070	1739389YP	1	GUIDE, Rope
0080	703232	1	NUT, 1/4
0090	704208	1	CAPSCREW, Hex Head, 1/4-20 x 3, G5 -(Remote Models Only)
0100	194289GS	1	KNOB, Handle -(Remote Models Only)

Not For Reproduction

# Light Panel Group

Note: Unless noted otherwise, use the standard torque specifications

Mfg. No: 1696755-00



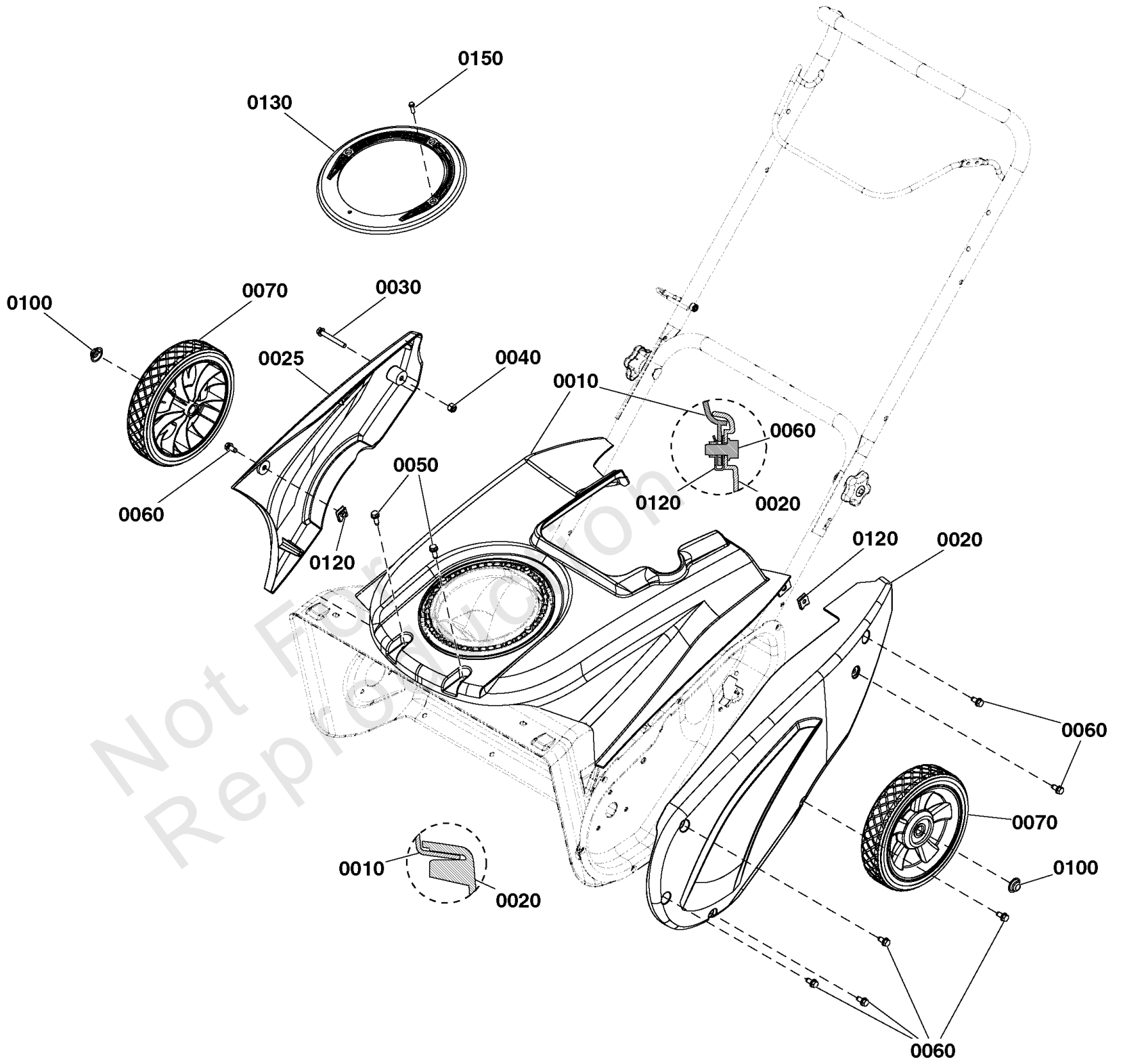
## Light Panel Group

REF NO	PART NO	QTY	DESCRIPTION
0010	706501	1	PANEL, Orange
0020	1736176YP	1	HEADLIGHT ASSEMBLY -(Includes Ref. Nos. 0020-10, 0020-20, 0020-40 & 0020-50)
0020-10	-----	1	LENS, Twin Light
0020-20	-----	1	DEFLECTOR
0020-40	-----	2	SOCKET & GASKET ASSEMBLY, Headlight
0020-50	-----	2	BULB, Headlight, 12V 15W (1156)
0030	706481	1	COVER, Light Panel
0040	7091105YP	7	SCREW, Hex Washer Head, #10-16 x 1/2
0050	703232	3	NUT, Nylock, 1/4
0060	708701	3	SCREW, Allen Head, 1/4-20 x 1-1/2
0070	706483	1	HARNESS, Wiring
0070	708158	1	HARNESS, Wiring with Remote Rectifier -(use with Engine Model: 15C107-0014-F8)
0080	1754865YP	1	SWITCH, Chute Rotation -( -Used Before Serial No. 2017430819) (Order 0600 When Bottom View of Switch Terminal Pattern Matches 0080.)
0090	7024649YP	4	WIRE TIE, 11"
0600	1687904	1	WIRE HARNESS ADAPTER KIT, CHUTE ROTATION -( -Used Before Serial No. 2017430819) (Order 0600-10 When Bottom View of Switch Terminal Pattern Matches 0600.)
0600-10	709954	1	SWITCH, Chute Rotation -( -Used After Serial No. 2017430818)
0600-20	84003010	1	HARNESS, Wire -( -Used Before Serial No. 2017430819)

# Wheel & Body Covering Group

Note: Unless noted otherwise, use the standard torque specifications

Mfg. No: 1696755-00



## Wheel & Body Covering Group

REF NO	PART NO	QTY	DESCRIPTION
0010	770575	1	COVER, Top, 208, Orange -(208cc engines)
0010	770572	1	COVER, Top, 250, Orange -(250cc engines)
0020	770054	1	COVER, Drive Case, Black
0025	770573	1	COVER, Side, Orange
0030	1750777YP	1	CAPSCREW, Hex Washer Head, 1/4 x 20 x 2
0040	703232	2	NUT, Nylock, 1/4-20
0050	7091081SM	2	SCREW, 1/4-15X3/4, Self-Tapping, BZ
0060	704130	7	SCREW, Hex Head, 1/4-20 X 1/2
0070	311237YP	2	WHEEL, 2 x 8, Plastic 1/2, Silver
0100	703179	2	PUSHNUT, 1/2
0120	770056	2	CLIP NUT
0130	708735	1	COVER, Chute Rotation Moisture
0150	316042MA	1	SCREW, Hex Washer Head, #10-HL x 5/8

Not For Reproduction

# Hardware Identification & Torque Specifications

Torque Specification Chart								
FOR STANDARD METRIC MACHINE HARDWARE (Tolerance ± 20%)								
Property Class	5.6		8.8		10.9		12.9	
	Class 5.6		Class 8.8		Class 10.9		Class 12.9	
Size Of Hardware	in/lbs	Nm.	in/lbs	Nm.	in/lbs	Nm.	in/lbs	Nm.
	ft/lbs		ft/lbs		ft/lbs		ft/lbs	
M3	5.88	.56	13.44	1.28	19.2	1.80	22.92	2.15
M4	13.44	1.28	30.72	2.90	43.44	4.10	52.56	4.95
M5	26.4	2.50	60.96	5.75	5.97	8.10	7.15	9.7
M6	44.64	4.3	7.3	9.9	10.3	14	12.1	16.5
M7	5.2	7.1	12.1	16.5	16.9	23	19.9	27
M8	7.7	10.5	17.7	24	25	34	29	40
M10	15	21	35	48	50	67	59	81
M12	26	36	61	83	86.2	117	103	140
M14	42	58	101	132	136	185	162	220
M16	64	88	147	200	210	285	250	340
M18	89	121	202	275	287	390	346	470
M20	126	171	290	390	405	550	486	660
M22	169	230	390	530	559	745	656	890
M24	217	295	497	375	708	960	840	1140
M27	320	435	733	995	1032	1400	1239	1680
M30	435	590	995	1350	1401	1900	1681	2280
M33	590	800	1349	1830	1902	2580	2278	3090
M36	759	1030	1740	2360	2441	3310	2935	3980
M39	988	1340	2249	3050	3163	4290	3798	5150

Torque Specification Chart						
FOR STANDARD MACHINE HARDWARE (Tolerance ± 20%)						
Hardware Grade	No Marks		SAE Grade 5		SAE Grade 8	
	SAE Grade 2		SAE Grade 5		SAE Grade 8	
Size Of Hardware	in/lbs	Nm.	in/lbs	Nm.	in/lbs	Nm.
	ft/lbs		ft/lbs		ft/lbs	
8-32	19	2.1	30	3.4	41	4.6
8-36	20	2.3	31	3.5	43	4.9
10-24	27	3.1	43	4.9	60	6.8
10-32	31	3.5	49	5.5	68	7.7
1/4-20	66	7.6	8	10.9	12	16.3
1/4-28	76	8.6	10	13.6	14	19.0
5/16-18	11	15.0	17	23.1	25	34.0
5/16-24	12	16.3	19	25.8	29	34.0
3/8-16	20	27.2	30	40.8	45	61.2
3/8-24	23	31.3	35	47.6	50	68.0
7/16-14	30	40.8	50	68.0	70	95.2
7/16-20	35	47.6	55	74.8	80	108.8
1/2-13	50	68.0	75	102.0	110	149.6
1/2-20	55	74.8	90	122.4	120	163.2
9/16-12	65	88.4	110	149.6	150	204.0
9/16-18	75	102.0	120	163.2	170	231.2
5/8-11	90	122.4	150	204.0	220	299.2
5/8-18	100	136	180	244.8	240	326.4
3/4-10	160	217.6	260	353.6	386	525.0
3/4-16	180	244.8	300	408.0	420	571.2
7/8-9	140	190.4	400	544.0	600	816.0
7/8-14	155	210.8	440	598.4	660	897.6
1-8	220	299.2	580	788.8	900	1,244.0
1-12	240	326.4	640	870.4	1,000	1,360.0

The guides and ruler furnished below are designed to help you select the appropriate hardware.



Nut, M8

Thread Diameter (mm)

Inside Diameter (in)      Threads per inch

Nut, 1/2-16



Screw, M8- 1.25 x 25

Thread Diameter (mm)      Distance between threads (mm)      Body Length (mm)

Body Diameter      Threads per inch      Body Length (in)

Screw, 1/2- 16 x 2



## Standard Hardware Sizing

When a washer or nut is identified as 1/2" (M8), this is the *Nominal size*, meaning the *inside diameter* is 1/2 inch (8mm metric thread diameter); if a second number is present it represents the *threads per inch* (distance between threads).

When bolt or capscrew is identified as 1/2 - 16 x 2" (M8 - 1.25 x 50), this means the *Nominal size*, or body diameter is 1/2 inch (8mm metric thread diameter), the second number, 16, represents the *threads per inch*, (*distance between threads*). The final number is the body length of the bolt or screw, 2 inches (50mm).

## NOTES

- These torque values are to be used for all hardware excluding: locknuts, self-tapping screws, thread forming screws, sheet metal screws and socket head setscrews.
- Recommended seating torque values for locknuts:
  - for prevailing torque locknuts - use 65% of grade 5 torques.
  - for flange whizlock nuts and screws - use 135% of grade 5 torques.
- Unless otherwise noted on assembly drawings, all torque values must meet this specification.

## Common Hardware Types

Hex Head Capscrew



Washer



Carriage Bolt



Hex Nut

## Wrench & Fastener Size Guide

1/4" Bolt or Nut Wrench—7/16"	5/16" Bolt or Nut Wrench—1/2"	3/8" Bolt or Nut Wrench—9/16"	7/16" Bolt or Nut Wrench (Bolt)—5/8" Wrench (Nut)—11/16"	1/2" Bolt or Nut Wrench—3/4"
M6 Bolt or Nut Wrench—10mm	M8 Bolt or Nut Wrench—13mm	M10 Bolt or Nut Wrench—17mm	M12 Bolt or Nut Wrench—19mm	M14 Bolt or Nut Wrench—22mm



