

# OPERATOR'S MANUAL

## Steering Wheel Zero-Turn Tractor

English .....	Page 1
Spanish (Español) .....	Page 36
French (Français) .....	Page 74

### Record Product Information

Before setting up and operating your new equipment, please locate the model plate on the equipment and record the information in the provided area to the right. You can locate the model plate by lifting up the seat and looking under the seat pan. This information will be necessary, should you seek technical support via our web site or with your local authorized service dealer.

### Model Number

### Serial Number

### WARNING

Read and follow all safety rules and instructions in this manual before attempting to operate this machine. Failure to comply with these instructions may result in personal injury - SAVE THESE INSTRUCTIONS.

### WARNING

#### CALIFORNIA PROPOSITION 65

Engine Exhaust, some of its constituents, and certain vehicle components contain or emit chemicals known to the State of California to cause cancer and birth defects or other reproductive harm.

Battery posts, terminals, and related accessories contain lead and lead compounds, chemicals known to the State of California to cause cancer and reproductive harm. Wash hands after handling. [www.p65warnings.ca.gov](http://www.p65warnings.ca.gov)

**NOTE:** This Operator's Manual covers several models. Features may vary by model. Not all features in this manual are applicable to all models and the model depicted may differ from yours.



# SAFE OPERATION PRACTICES

## WARNING



This symbol points out important safety instructions which, if not followed, could endanger the personal safety and/or property of yourself and others. Read and follow all instructions in this manual before attempting to operate this machine. Failure to comply with these instructions may result in personal injury. When you see this symbol, HEED ITS WARNING!

## DANGER

This machine was built to be operated according to the safe operation practices in this manual. As with any type of power equipment, carelessness or error on the part of the operator can result in serious injury. This machine is capable of amputating hands and feet and throwing objects. Failure to observe the following safety instructions could result in serious injury or death.

### GENERAL OPERATION

1. Read, understand, and follow all instructions on the tractor and in the manual(s) before attempting to assemble and operate. Keep this manual in a safe place for future and regular reference and for ordering replacement parts.
2. Be familiar with all controls and their proper operation. Know how to stop the tractor and disengage them quickly.
3. Never allow children under 14 years of age to operate this tractor. Children 14 and over should read and understand the instructions and safe operation practices in this manual and on the tractor and should be trained and supervised by an adult.
4. Never allow adults to operate this tractor without proper instruction.
5. If situations occur which are not covered in this manual, use care and good judgment. Contact your customer service representative for assistance.
6. According to the U.S. Consumer Products Safety Commission (CPSC) and the U.S. Environmental Protection Agency (EPA), this product has an estimated useful life of seven (7) years, under ordinary use conditions. At the end of its useful life, have the product inspected annually to ensure all mechanical and safety systems are operating properly, safely, and are not worn excessively. Failure to do so may result in accident, injury, or death.

### PREPARATION BEFORE OPERATING

1. Thoroughly inspect the area where the tractor is to be used. Remove all stones, sticks, wire, bones, toys, and other foreign objects which could be picked up and thrown by the blade(s). Thrown objects can cause serious personal injury.
2. To help avoid blade contact or a thrown object injury, keep helpers at least 75 feet (23 meters) from the tractor while it is in operation. Keep bystanders, children, and pets inside during operation. Stop tractor if anyone enters the area.
3. Be aware of the tractor discharge direction and do not point it at anyone.
4. Always wear safety glasses or safety goggles during operation and while performing an adjustment or repair to protect your eyes. Thrown objects which ricochet can cause serious injury to the eyes.
5. Wear sturdy, rough-soled work shoes and close-fitting slacks and shirts. Loose-fitting clothes, jewelry, and long hair can be caught in moving parts. Never operate this tractor in bare feet or sandals.
6. Never overfill fuel tank. Fill tank to no more than 1/2 inch (13 mm) below bottom of filler neck to allow space for fuel expansion.
7. Replace gasoline cap and tighten securely.
8. Use only accessories and attachments approved for this tractor by the tractor manufacturer. Read, understand, and follow all instructions provided with the approved accessory or attachment.

### OPERATOR PROTECTIVE SYSTEM (OPS)

1. This tractor is equipped with an Operator Protective System (OPS), which includes:
  - a. Roll Over Protective Structure (ROPS) of the fixed or folding configuration.
  - b. Seat belt assembly with retractable function.
2. ROPS are structures designed to provide a crush-resistant space for the operator when properly seat-belted within the designated seating area of the tractor in the event of a tractor tip-over or rollover. ROPS shall be used in their fully upright and locked configurations except in those circumstances whereby they need to be momentarily folded down to avoid contact with items such as tree limbs, clotheslines, guy wires, utility poles, buildings, etc. At other times and conditions, ROPS shall be in their fully upright and locked configurations.
3. Seat belts shall be used and shall always be properly fastened about the operator's waist, except when the ROPS are:
  - a. Not properly installed and/or not properly secured onto the tractor.
  - b. Damaged in such manner that the ROPS structural integrity has been compromised.
  - c. Not in their fully upright and locked position.
4. Seat belts are attached to the movable portion of the seat when suspension seats are utilized, and therefore the seat-mounting base must be secured to its pivot means and the pivot means secured/latched to the frame of the tractor. Seat belts are attached to the seat or the frame of the tractor when non-suspension (standard) seat is provided; however, if a suspension kit is added to a seat, the seat belt must be attached to the movable portion of the seat or suspension mechanism, the seat-mounting base must be secured to its pivot means, and the pivot means be secured/latched to the frame of the tractor.

# SAFE OPERATION PRACTICES

## WARNING

If ROPS are folded down or missing, seat belts shall not be fastened. A worn or damaged seat belt assembly or a damaged ROPS must be replaced prior to operator use of the tractor.

- The ROPS extends above and behind the operator position, and therefore the operator must be aware of potential contact of the ROPS with items such as tree limbs, buildings, doorways, clotheslines, utility/guy wires, etc., that could cause the tractor to tip over or roll over. Use caution in (or avoid) areas where the ROPS could come in contact with any structures, trees, etc.
- A brush guard or canopy may contact/deflect tree limbs, buildings, doorways, clotheslines, utility/guy wires, etc., that otherwise would come in contact with the ROPS. Contact of the ROPS and/or canopy with such items may create hazardous conditions whereby the tractor could experience a tip-over or rollover.
- The ROPS and seat belt are integral parts of this tractor and should not be tampered with, modified in any manner, or removed.
- Inspect the ROPS and seat belt assemblies per the Maintenance Schedule shown in this manual for damage or loose hardware. Replace all components that are loose, damaged or not functioning properly with authorized replacement parts.
- Failure to use the seat belt properly could result in serious injury or death if an accidental overturn occurs. For the ROPS in the full up position to be effective, the seat belt must be securely fastened around the operator at all times when the operator is on the tractor. The tractor operator coming in contact with the ROPS during a tip-over or rollover could cause serious injury or death.
- The ROPS will not prevent tractor from tip-overs or rollovers.
- Do not assume ROPS will protect you in a tip-over or rollover. Injuries may still occur.

## OPERATING

- Data indicates that operators, age 65 years and above, are involved in a large percentage of tractor-related injuries. These operators should evaluate their ability to operate the tractor safely enough to protect themselves and others from serious injury.
- Disengage blade(s) and set the parking brake to the ON position before attempting to start the engine.
- Do not put hands or feet near rotating parts or under the cutting deck. Contact with the blade(s) can amputate hands and feet.
- Watch for holes, ruts, bumps, rocks, or other hidden objects. Uneven terrain could overturn the tractor. Tall grass can hide obstacles.
- Plan mowing pattern to avoid discharge of material toward roads, sidewalks, helpers, and the like. Avoid discharging material against a wall or obstruction which may cause discharged material to ricochet back toward the operator.

- Check overhead clearances carefully before driving under low-hanging tree branches, wires, door openings, etc., where the operator may be struck or pulled from the tractor, which could result in serious injury.
- Never leave a running tractor unattended. Always turn off blade(s), place drive control pedals in neutral, set parking brake, stop engine, and remove key before dismounting.
- Disengage blade(s), place drive control pedals in neutral, set parking brake, stop engine, and wait until the blade(s) come to a complete stop before removing grass catcher, emptying grass, removing any grass or debris, unclogging chute, or making any adjustments.
- Your tractor is designed to cut normal residential grass of a height no more than 10 inches (25 cm). Do not attempt to mow through unusually tall, dry grass (e.g., pasture) or piles of dry leaves. Dry grass or leaves may contact the engine exhaust and/or build up on the tractor deck presenting a potential fire hazard.
- Back up slowly. Always look down and behind before and while backing to avoid a back-over accident. Be aware and pay attention to the safety system function that stops power to the blades when driving in reverse. If not functioning properly, contact an authorized dealer for safety system inspection and repair.
- Never carry passengers.
- Stay at least 10 feet (3 meters) from drop-offs, ditches, embankments, or the edge of water. The tractor could suddenly turn over if a wheel is over the edge of a cliff, ditch, or if an edge caves in.
- A missing or damaged chute deflector can cause blade contact or thrown object injuries.
- Do not operate the tractor without the chute deflector or entire grass catcher in its proper place.
- Use extra care with grass catchers or other attachments. These can change the stability of the tractor. Always follow the attachment manufacturer's instructions.
- Stop the blades when crossing gravel drives, walks, or roads and while not cutting grass.
- Watch for traffic when operating near or crossing roadways. This tractor is not intended for use on any public roadway.
- Mow only in daylight or good artificial light.
- Do not operate the tractor while under the influence of alcohol or drugs.
- Slow down before turning. Operate the tractor smoothly. Avoid erratic operation and excessive speed.
- The muffler and engine become very hot and can cause serious burn injuries. Do not touch. Allow the tractor to cool for five minutes before attempting any service.
- Never run an engine indoors or in a poorly ventilated area. Engine exhaust contains carbon monoxide, an odorless and deadly gas.

## CHILDREN

- Tragic accidents can occur if the operator is not alert to the presence of children. Children are often attracted to the tractor and the mowing activity. They do not understand the dangers. Never assume that children will remain where you last saw them.

# SAFE OPERATION PRACTICES

- Keep bystanders, children, and pets inside during operation under the watchful care of a responsible adult other than the operator. Stop tractor if anyone enters the area.
- Never carry children, even with the blade(s) shut off. They may fall off or interfere with safe tractor operation, causing serious injury or death.
- Children who have been given rides in the past could suddenly appear in the mowing area for another ride and be run over or backed over by the tractor, causing serious injury or death.
- Be alert and turn tractor off if a child or bystander enters the area.
- To avoid back-over accidents, always look behind and down for small children.
- Use extreme care when approaching blind corners, doorways, shrubs, trees, or other objects that may block your vision of a child who may run into the path of the tractor.
- Never allow children under 14 years of age to operate this tractor. Children 14 and over should read and understand the instructions and safe operation practices in this manual and on the tractor and should be trained and supervised by an adult.
- Do not allow any child to joyride on the tractor. The tractor is not a toy or a go-cart. Warn children that the tractor can be dangerous and they must stay away from it at all times.
- Keep children away from hot or running engines. They can suffer burns from a hot muffler.
- Remove key when tractor is unattended to prevent unauthorized operation. Make certain the key is inaccessible to small children.
- Use extra care while operating tractor with grass catcher or other attachment(s). They can affect the stability of the tractor. Do not use grass catcher on slopes greater than 10° (17%).
- Do not try to stabilize the tractor by putting a foot on the ground.
- Keep all movement on slopes slow and gradual. Do not make sudden changes in speed or direction. Rapid acceleration could cause the front of the tractor to lift and rapidly roll over backwards, which could cause serious injury or death.

## SLOPE GAUGE (BACK COVER)

### WARNING

Slopes are a major factor related to slip and fall accidents which can result in severe injury or death. All slopes require extra caution. If you feel uneasy on the slope, do not mow it. Do not mow on slopes greater than 20° (35%). Do not mow up and down slopes, only mow across slopes.

USE THE SLOPE GAUGE ON THE BACK COVER AS SHOWN TO DETERMINE IF A SLOPE IS TOO STEEP FOR SAFE OPERATION!

To check the slope, proceed as follows:

- Open manual to the back cover and fold along the dashed line.
- Locate a vertical object on or behind the slope (e.g., a pole, building, fence, tree, etc.).
- Align either side of the slope gauge with the object.
- Adjust gauge up or down until the left corner touches the slope.
- If there is a gap below the gauge, the slope is too steep for safe operation.

## FIRE AND FUEL

- To avoid personal injury or property damage use extreme care in handling gasoline. Gasoline is extremely flammable and the vapors are explosive. Serious personal injury can occur when gasoline is spilled on yourself or your clothes, which can ignite. Wash your skin and change clothes immediately.
- Extinguish all cigarettes, cigars, pipes, and other sources of ignition.
- Use only an approved gasoline container.
- Never remove gas cap or add fuel while the engine is hot or running. Allow engine to cool at least five minutes before refueling.
- Never fuel tractor indoors.
- Never store the tractor or fuel container inside where there is an open flame, spark, or pilot light as on a water heater, space heater, furnace, clothes dryer, or other gas appliances.
- If gasoline is spilled, wipe it off the engine and equipment. Clean up oil or fuel spillage and remove any fuel-soaked debris. Move tractor to another area. Wait five minutes before starting the engine.
- To reduce fire hazards, keep tractor free of grass, leaves, or other debris build-up. Follow the Post-Operation Tractor Care instructions in the Product Care section.

## SLOPE OPERATION

- Slopes are a major factor related to loss of control and tip-over accidents which can result in severe injury or death. All slopes require extra caution. If you cannot back up the slope or if you feel uneasy on it, do not mow it.
- For safety, measure any slope before using the tractor on the sloped area. Use a slope measuring device in addition to the slope gauge included as part of this manual to measure slopes before operating this tractor on a sloped or hilly area. Smart phone applications can also be utilized to measure slopes. If the slope is greater than 20° (35%) as shown on the slope gauge or a slope measuring device, do not operate this tractor on that area or serious injury could result.
- Do not mow on slopes greater than 20° (35%).
- Do not mow up or down slopes, only mow across slopes that are less than 20° (35%). Use low speeds and avoid sudden turns.
- Do not mow on wet grass. Reduced traction could cause sliding or a loss of control.
- Do not operate tractor under any conditions where traction, steering, or stability is in question. Tires could slide even if the wheels are stopped.
- Avoid starting and stopping on slopes. Avoid making sudden changes in speed or direction. Make turns slowly and gradually.

# SAFE OPERATION PRACTICES

9. The tractor is designed to cut normal residential grass of a height no more than 10 inches (25 cm). Do not attempt to mow through unusually tall, dry grass (e.g., pasture) or piles of dry leaves. Dry grass or leaves may contact the engine exhaust and/or build up on the tractor deck presenting a potential fire hazard.
10. Never overfill fuel tank. Fill tank to no more than 1/2 inch (13 mm) below bottom of filler neck to allow space for fuel expansion.
11. Replace gasoline cap and tighten securely. Do not operate without fuel cap in place.
12. Allow tractor to cool at least five minutes before fueling or storing.
13. Never fill containers inside a vehicle or on a truck or trailer bed with a plastic liner. Always place containers on the ground away from your vehicle before filling.
14. When practical, remove gas-powered equipment from the truck or trailer and refuel it on the ground. If this is not possible, then refuel such equipment on a trailer with a portable container, rather than from a gasoline dispenser nozzle.
15. Keep the nozzle in contact with the rim of the fuel tank or container opening at all times until fueling is complete. Do not use a nozzle lock-open device.
3. Tractor blades are sharp. Wrap the blade or wear gloves, and use extra caution when servicing them.
4. Tractors with hydraulic pumps, hoses, or motors, and/or diesel injection systems have fluid systems under pressure. Fluid escaping under pressure may have sufficient force to penetrate skin and cause serious injury. If fluid is injected into the skin, seek immediate medical attention. Keep body and hands away from pinholes or nozzles that eject fluid under high pressure. If a leak occurs, have the tractor immediately serviced by an authorized dealer.
5. Before cleaning, repairing, or inspecting, make certain the blade(s) and all moving parts have stopped. Turn off the engine, remove the key, and disconnect the spark plug wire(s) and negative battery cable to prevent unintended starting.
6. Check to make sure the blades come to a complete stop in not more than five seconds after disengaging the blade disengagement control per the schedule shown on the Maintenance Schedule chart in the Product Care section of this manual. Measure the stopping time with a stop watch. If the blades do not stop completely in less than five seconds, the tractor should be serviced professionally by an authorized dealer.
7. Check the safety interlock system for proper function per the schedule shown on the Maintenance Schedule chart in the Product Care section of this manual. If the safety interlock system does not function properly, have the tractor serviced professionally by an authorized dealer.

## HAULING

1. Use properly secured full width ramps for loading and unloading tractor for transport.
2. Use extra care when loading or unloading the tractor into a trailer or truck. This tractor should not be driven up or down ramp(s), because the tractor could tip over, causing serious personal injury. The tractor must be pushed manually on ramp(s) to load or unload properly.
3. Raise the deck to the highest position for loading clearance.
8. Never tamper with the safety interlock system or other safety devices. Check their proper operation regularly.
9. Check the blade(s) and engine mounting bolt torque in accordance with the Maintenance Schedule chart in this manual. Also, visually inspect blade(s) for damage (e.g., excessive wear, bent, cracked). Replace the blade(s) with the original equipment manufacturer's (O.E.M.) blade(s) only.
10. Use of service parts which do not meet the original equipment specifications may lead to improper performance and compromise safety.

## TOWING

1. Do not tow a load that exceeds 250 lbs (113 kg) rolling weight and never exceed 50 lbs (22 kg) tongue weight.
2. Do not attach towed equipment except at the hitch point of the tractor.
3. Never allow children or others in or on towed equipment.
4. Do not tow on slopes greater than 5° (9%). On slopes, the weight of the towed equipment may cause loss of traction, loss of control, and/or the ability to stop.
5. Always use extra caution when towing with a tractor capable of making tight turns (e.g., "zero-turn" tractor). Make wide turns to avoid jackknifing.
6. Travel slowly and allow extra distance to stop.
11. Keep all nuts, bolts, and screws tight to be sure the equipment is in safe working condition. Review the Maintenance Schedule chart in this manual for service interval information.
12. After striking a foreign object, stop the engine, remove the key, and disconnect the spark plug wire(s) and negative battery cable to prevent unintended starting. Thoroughly inspect the tractor for any damage. Repair the damage before starting and operating.
13. Never attempt to make adjustments or repairs to the tractor while the engine is running.
14. Grass catcher components and the chute deflector are subject to wear and damage which could expose moving parts or allow objects to be thrown. Frequently check components and replace immediately with original equipment manufacturer's (O.E.M.) parts only.

## SERVICE

1. Keep machine in good working order. Do not use the tractor until worn or damaged parts are replaced.
2. To avoid serious injury or death, do not modify engine in any way. Tampering with the governor setting can lead to a runaway engine and cause it to operate at unsafe speeds. Never tamper with factory setting of engine governor. Do not change the engine governor settings or over-speed the engine. The governor controls the maximum safe operating speed of the engine.
15. Maintain or replace safety and instruction labels, as necessary.
16. Observe proper disposal laws and regulations for gas, oil, etc., to protect the environment.

# SAFE OPERATION PRACTICES

## NOTICE REGARDING EMISSIONS

Engines which are certified to comply with California and federal EPA emission regulations for SORE (Small Off Road Equipment) are certified to operate on regular unleaded gasoline and may include the following emission control systems: Engine Modification (EM) and Three Way Catalyst (TWC), if so equipped. When required, models are equipped with low permeation fuel lines and fuel tanks for evaporative emission control. California models may also include a carbon canister. Please contact Customer Support for information regarding the evaporative emission control configuration for your model.

## SPARK ARRESTOR

### WARNING





This machine is equipped with an internal combustion engine and should not be used on or near any unimproved forest-covered, brush-covered, or grass-covered land unless the engine's exhaust system is equipped with a spark arrestor meeting applicable local or state laws (if any).

If a spark arrestor is used, it should be maintained in effective working order by the operator. In the State of California the above is required by law (Section 4442 of the California Public Resources Code). Other states may have similar laws. Federal laws apply on federal lands.



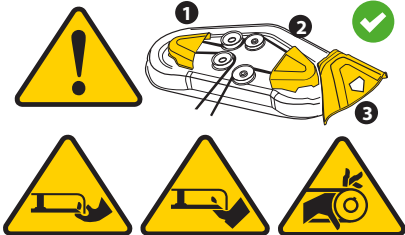

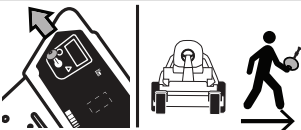
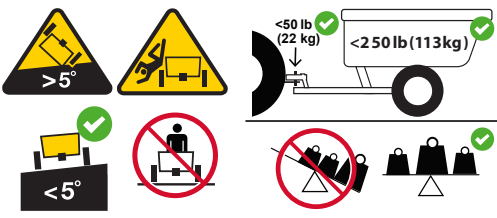

A spark arrestor for the muffler is available through your nearest engine authorized service dealer, or contact the service department, P.O. Box 361131, Cleveland, Ohio 44136-0019.

## SAFETY SYMBOLS

This table depicts and describes safety symbols that MAY APPEAR on this product.

Symbol	Description
 <p><b>OPESymbol.com</b></p>	<p><b>WARNING - READ THE OPERATOR'S MANUAL(S) -</b> Read, understand, and follow all the safety rules and instructions in the manual(s) and on the tractor before attempting to operate this tractor. Failure to comply with this information may result in personal injury or death. Keep this manual in a safe location for future and regular reference. Using a Smart Phone, scan the QR code symbol to learn more information concerning the warnings contained on this tractor. You can also go to <a href="http://www.OPESymbol.com">www.OPESymbol.com</a> for more information.</p>
	<p><b>WARNING - AVOID THROWN OBJECTS INJURY -</b> Keep helpers at least 75 feet (23 meters) from machine during operation. Remove all stones, sticks, wire, bones, toys, and other foreign objects which could be picked up and thrown by the blade(s). Do not operate the tractor without the discharge cover or entire grass catcher in its proper place.</p>
	<p><b>WARNING - AVOID CHILD BACKOVER/RUNOVER/BLADE INJURY -</b> To avoid back-over accidents, always look behind and down for small children. Never carry children, even with the blade(s) shut off. Keep bystanders, children, and pets inside during operation under the watchful care of a responsible adult other than the operator. Stop tractor if anyone enters the area.</p>
	<p><b>WARNING - AVOID TIP-OVER/ROLLOVER INJURY -</b> Do not operate machine on a slope greater than 20° (35%). Do not mow up or down slopes, only mow across slopes that are less than 20° (35%). Use low speeds and avoid sudden turns on slopes. Stay at least 10 feet (3 meters) from drop-offs, ditches, embankments, or the edge of water.</p>

# SAFE OPERATION PRACTICES

Symbol	Description
	<p><b>WARNING - AVOID FIRES</b> - Your tractor is designed to cut normal residential grass of a height no more than 10 inches (25 cm). Do not attempt to mow through unusually tall, dry grass (e.g., pasture), or piles of dry leaves. Allow tractor to cool at least five minutes before fueling or storing inside an enclosed garage or storage shed.</p>
	<p><b>WARNING - AVOID AMPUTATION INJURY</b> - Do not put hands or feet near or under the cutting deck. Contact with the blade(s) can amputate hands and feet.</p>
	<p><b>WARNING - AVOID AMPUTATION INJURY</b> - Do not put hands or feet near rotating parts or under the cutting deck. Contact with the blade(s) can amputate hands and feet. Ensure that all safety devices (guards, shields, switches, etc.) are in place and working. Belt and/or blade spindle contact can crush or injure body parts.</p>
	<p><b>WARNING - AVOID CRUSH/PINCH POINT INJURY</b> - Read, understand, and follow all the safety rules and instructions in the manual(s) and on the tractor before attempting to service this tractor. The deck lift system is spring-assisted and under tension. Always use the provided multi-tool to secure the lift system in the locked position before attempting to remove the mower deck.</p>
	<p><b>WARNING - REMOVE KEY</b> - Always turn off blade(s), move the drive pedals to neutral, stop engine, and remove key before dismounting. If you are leaving the tractor unattended, always remove the key to prevent unauthorized use by children or others.</p>
	<p><b>WARNING - AVOID TOWING-RELATED INJURY</b> - Do not tow a load that exceeds 250 lbs (113 kg) rolling weight and never exceed 50 lbs (22 kg) tongue weight. Never allow children or others in or on towed equipment. Do not tow on slopes greater than 5° (9%). On slopes, the weight of the towed equipment may cause loss of traction, loss of control, and/or loss of the ability to stop. Travel slowly and allow extra distance to stop.</p>
	<p><b>WARNING - AVOID SERIOUS INJURY OR DEATH FROM ROLLOVER</b> - Keep roll bar in the raised upright position with your seat belt fastened. Lower roll bar and do not fasten seat belt in low clearance situations. Raise roll bar and fasten seat belt as soon as clearance permits.</p>

## ⚠ WARNING

**Your Responsibility**—Restrict the use of this power machine to persons who read, understand, and follow the warnings and instructions in this manual and on the machine - **SAVE THESE INSTRUCTIONS!**

**NOTE:** This Operator's Manual covers several models. Tractor features may vary by model. Not all features in this manual are applicable to all tractor models and the tractor depicted may differ from yours.

**NOTE:** All references in this manual to the left or right side and front or back of the tractor are from the operating position only. Exceptions, if any, will be specified.

## PREPARATION

### Manually Moving the Tractor

1. To engage the transmission bypass, pull the transmission bypass lever (a) located to the right of the operator's seat (next to the park brake lever (b)), back and into the notch on the right side of the slot (Figure 1).

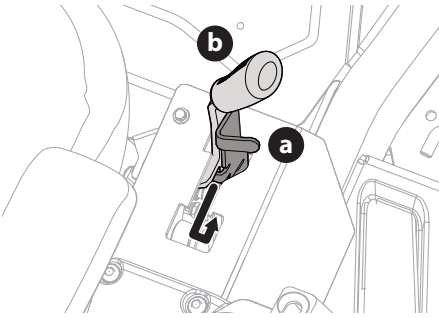


Figure 1

2. After moving tractor, reverse Step 1 to disengage the bypass lever.

### Install Hitch (if necessary)

1. Locate hitch and install on the rear of the frame using the two hex washer screws provided (Figure 2).

**NOTE:** Hitch and hex washer screws will be in the hardware pack.

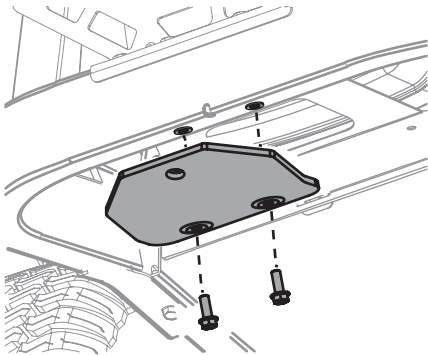


Figure 2

## Roll Over Protective System (ROPS)

Refer to Figure 3 and the following descriptions and uses for the three (3) positions for the Upper ROPS.

- **TRANSPORT:** Only to be used when transporting the tractor or when they need to be momentarily folded down to avoid contact with items such as tree limbs, clotheslines, guy wires, utility poles, buildings, etc.
- **TRANSPORT WITH BAGGER:** Allows for the ROPS to be lowered for situations outlined for the TRANSPORT position when the tractor is equipped with a bagger.
- **OPERATION:** The ROPS should always be in this position when operating unless the situations involved outlined in the TRANSPORT and TRANSPORT WITH BAGGER descriptions arise.

### Upper ROPS Positions

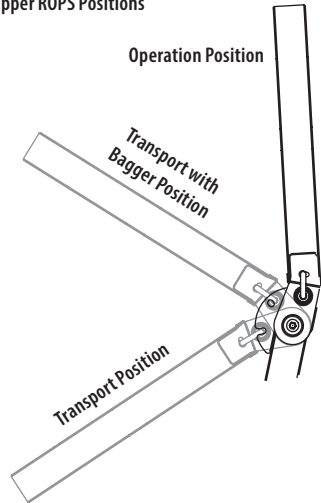


Figure 3

To change the position of the ROPS:

1. Pull slightly up on the ROPS to relieve any tension on the locking pin (a) and rotate the locking pin (a) from the LOCKED (b) position into the ADJUSTMENT (c) position. Repeat the procedure for the locking pin on the opposite side (Figure 4).

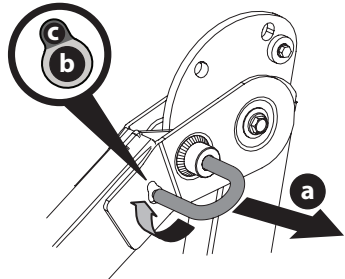


Figure 4



# SET-UP

2. Move the ROPS into the desired position (Figure 5).

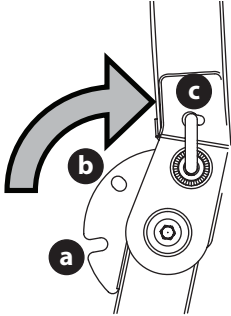


Figure 5

**NOTE:** The three positions are TRANSPORT (a) position, TRANSPORT WITH BAGGER (b) position, and into the OPERATION (c) position (Figure 5).

3. Rotate both locking pins into the LOCKED position. Move the upper ROPS slightly until the locking pins settle, engaged in the LOCKED position.

**NOTE:** See properly seated (fully engaged) ROPS pin in Figure 6.

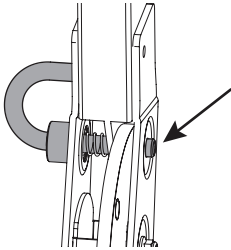


Figure 6

## ⚠ DANGER

Always verify that both right and left locking pins of the ROPS are settled and fully engaged all the way through the hinge assembly so that each locking pin is visible on the inside face. Failure to fully lock each locking pin may result in serious injury or death.

### Operator's Seat

#### SEAT INSTALLATION (IF NECESSARY)

1. Cut any straps securing the seat assembly to the tractor. Remove all packing material.

**NOTE:** Be careful not to cut the seat wiring harness.

2. Install the seat onto the seat pan (b) using flange lock nuts (a) (Figure 7).

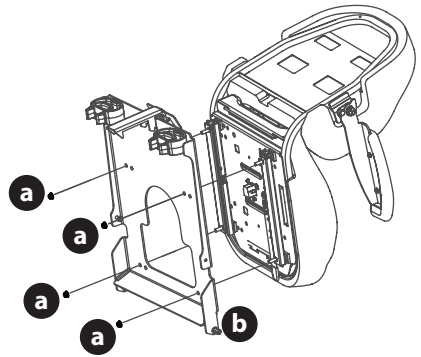


Figure 7

3. if necessary, securely connect the seat switch wiring harness (a) to the seat switch (b) (Figure 8). Secure excess wire away from pinch points before continuing.

**NOTE:** Tractor will not operate without the seat switch wiring harness connected.

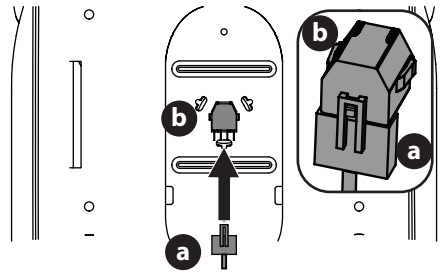


Figure 8

#### ADJUSTING SEAT FROM SHIPPING POSITION (IF NECESSARY)

1. Remove and discard packing material, as applicable.
2. Remove the two screws (one right side, one left side) securing seat in shipping position (Figure 9).

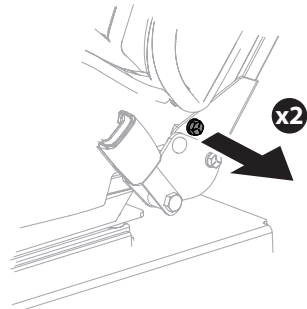


Figure 9

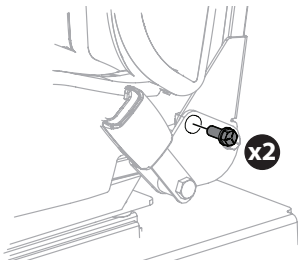
3. Pivot seat forward into operating position (Figure 10).



**Figure 10**

4. Secure with two screws (one right side, one left side) removed in Step 2 (Figure 11).

**NOTE:** Torque screws to 68-102 in.-lbs (8-12 N-m).

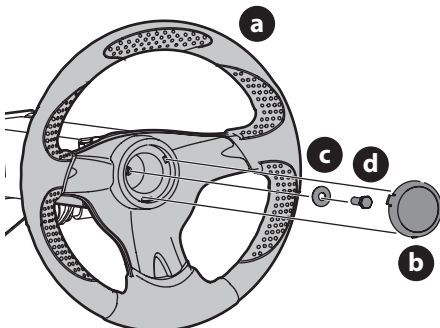


**Figure 11**

## Installing Steering Wheel (if necessary)

**IMPORTANT!** Do not use impact tools to install or remove the steering wheel.

1. Remove the hardware for attaching the steering wheel (a) from beneath the steering wheel cover (b). Carefully remove the cover by inserting a small, bladed screwdriver into one of the three snap locations and slowly prying up on the steering wheel cover (b) to remove the hardware (Figure 12).



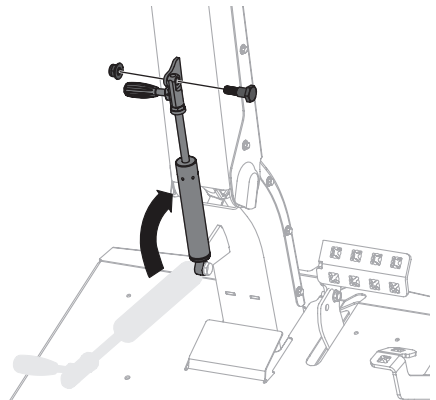
**Figure 12**

2. With the wheels of the machine pointing straight forward, place the steering wheel (a) over the steering shaft (Figure 12).
3. Place the Belleville washer (c) with the cupped side facing inward over the steering wheel and secure with the hex lock screw (d) (Figure 12).
4. Place the steering wheel cover (b) over the center of the steering wheel (a), align the three snaps with the tabs in the steering wheel, and push downward until it “clicks” into place (Figure 12).
5. Proper steering column and seat adjustment will result in the following (to adjust the seat, refer to Adjusting the Seat):
  - a. In the neutral position with hands on the steering wheel:
    - Operator’s upper arms should be relaxed and approximately vertical.
    - Operator’s forearms should be approximately horizontal.
    - Operator’s back should stay in contact with the seat back.
    - Steering column should not contact operator’s legs.
6. Check the results of any adjustments to the conditions described above. Repeat any adjustment procedures as required until all conditions are met.

## Steering Wheel Column

### INSTALLING THE TILT LOCKING CYLINDER (IF NECESSARY)

1. Remove hardware from manual bag.
2. Sit in operator’s seat.
3. With one hand, lift steering wheel column into a raised position.
4. While holding steering wheel column in a raised position, use other hand to raise tilt locking cylinder, aligning holes in top of cylinder with holes in cylinder mounting plates on the underside of the steering wheel column (Figure 13).



**Figure 13**

- Working from right to left, install shoulder screw through holes aligned in Step 4 and secure with hex flange lock nut. Torque the shoulder screw to 120-144 in.-lbs (14-16 N-m) (Figure 13 on page 10).

## Adjusting the Steering Wheel

- To tilt the steering wheel column (a) forward, lift the steering wheel column adjustment lever (b), place the steering wheel column (a) in the desired position and then release the steering wheel column adjustment lever (b) to secure the steering wheel column in place (Figure 14).

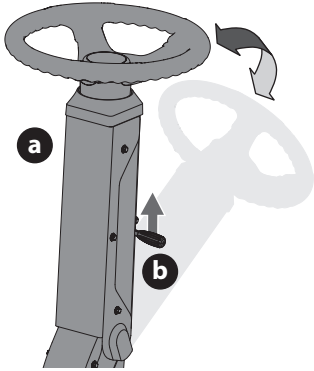


Figure 14

**NOTE:** When the steering wheel column adjustment lever is lifted, the steering wheel column will begin to raise up. Apply downward pressure on the steering wheel to lower the steering wheel column, if needed.

## Lower Deck Discharge Chute Deflector

### WARNING

Never operate the mower deck without the chute deflector installed and in the down position.

- The chute is shipped attached and with a stop bracket holding the chute upright. The stop bracket must be removed prior to operating the tractor (Figure 15).

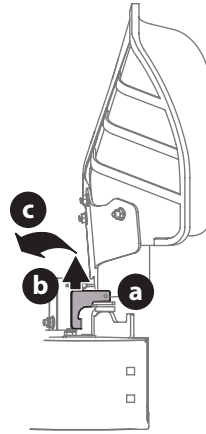


Figure 15

- Holding the chute deflector fully upward, remove the stop bracket (Figure 15):
  - Grasp the bracket from behind the chute on top of the deck.
  - Lift up slightly to free the bracket from the notch.
  - Pull back to fully remove the bracket.

## Setting Deck Wheels

**NOTE:** The deck wheels are an anti-scalp feature of the deck and are not designed to support the weight of the cutting deck.

- Move the tractor to a level surface, preferably pavement.
- Check tire pressure, adjust if necessary. See tire side wall for proper tire pressure.
- Make sure the deck is level side-to-side and properly pitched. See the Product Care section for deck leveling information and instructions.
- Place knob in the desired mowing height position and lower the deck.
- Check the deck wheels for contact or excessive clearance with the surface below.

**NOTE:** The deck wheels should have between 1/4 inch (6.35 mm) and 1/2 inch (12.7 mm) clearance above the ground.

- Remove the lock nut (a) securing one of the front gauge wheels to the deck. Remove the shoulder screw (b), tube spacer (c), and shoulder spacer (e) to remove the wheel (d) (Figure 16).

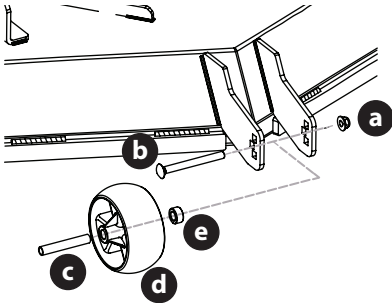


Figure 16

- Line up the gauge wheel with the tube spacer through the center, the shoulder spacer on the shorter side hub of the gauge wheel, and position the assembly inside the brackets at the desired height.

**NOTE:** Allow a 1/4-1/2 inch (6.35-12.7 mm) clearance between the ground and gauge wheel.

- Insert the shoulder screw into the chosen index hole on the front gauge wheel bracket.

**NOTE:** On the left side and right side deck gauge wheels, the shoulder screw must be installed from the outside of the tractor inward, through the square hole on the bracket. On center deck gauge wheels (if equipped), the shoulder screw side of the assembly can be installed from either direction (Figure 17).

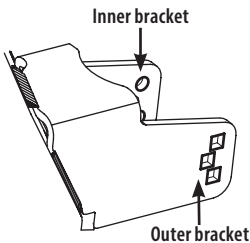


Figure 17

- Secure with the lock nut previously removed.

## Battery Information

### ⚠ WARNING

**CALIFORNIA PROPOSITION 65 WARNING:** Battery posts, terminals, and related accessories contain lead and lead compounds, chemicals known to the State of California to cause cancer and reproductive harm. Wash hands after handling.

### ⚠ WARNING

Should battery acid accidentally splatter into the eyes or onto the skin, rinse the affected area immediately with clean cold water. Seek prompt medical attention.

If acid spills on clothing, first dilute it with clean water, then neutralize with a solution of ammonia/water or baking soda/water.

**NEVER** connect (or disconnect) battery charger clips to the battery while the charger is turned on, as it can cause sparks.

Keep all sources of ignition (cigarettes, matches, lighters) away from the battery. The gas generated during charging can be combustible.

As a further precaution, only charge the battery in a well ventilated area.

Always shield eyes and protect skin and clothing when working near batteries.

Batteries contain sulfuric acid and may emit explosive gases. Use extreme caution when handling batteries. Keep batteries out of the reach of children.

The battery may present a risk of fire or chemical burn if misused. Do not open, disassemble, overheat, or incinerate the battery.

### ⚠ CAUTION

When attaching battery cables, always connect the **POSITIVE** (Red) wire to the terminal first, followed by the **NEGATIVE** (Black) wire.

**NOTE:** The positive battery terminal is marked Pos. [+]. The negative battery terminal is marked Neg. [-].

## Connecting Battery Cables

### ⚠ WARNING

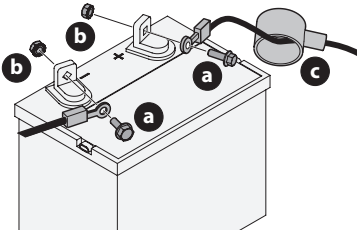
Always connect the positive lead to the battery before connecting the negative lead. This will prevent sparking or possible injury from an electrical short caused by contacting the tractor body with tools being used to connect the cables.

For shipping reasons the factory may leave both battery cables disconnected from the terminals. To connect the battery cables, proceed as follows:

**NOTE:** Wiring harness should lay on top of battery hold-down rod, otherwise damage to the wiring harness may result (Figure 21 on page 14).

## MODELS WITH LEAD-ACID BATTERY

1. If present, remove the plastic cover from the positive battery terminal. Attach the red connector to the positive battery terminal (+) using the bolt (a) and hex nut (b) (Figure 18).



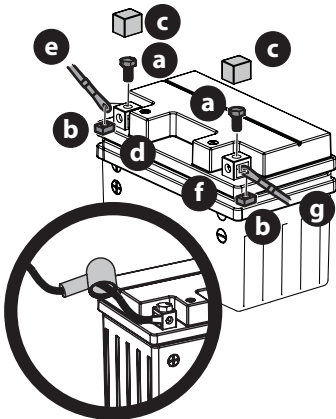
**Figure 18**

2. Position the red rubber boot (c) over the positive battery terminal (+) to help protect it from corrosion (Figure 18).
3. If present, remove the plastic cover from the negative battery terminal and attach the black cable to the negative battery terminal (-) with the bolt (a) and hex nut (b) (Figure 18).

**NOTE:** If the battery is put into service after date shown on top/side of battery, charge the battery as instructed in the Charging the Battery section prior to operating.

## MODELS WITH AGM BATTERY

1. Remove the hex screws (a) and square nuts (b) located either on the end of the wiring harness or in the bag with this manual. Retain the hardware for later instructions (Figure 19).



**Figure 19**

2. Remove the plastic cover (c), if present, from the positive battery terminal (d) and attach the red cable (e) to the positive battery terminal (d) with one of the hex screws (a) and square nuts (b), from Step 1. Use a Phillips screwdriver (Figure 19).
3. Position the red rubber boot over the positive battery terminal to help protect it from corrosion (Figure 19 inset).
4. Remove the plastic cover (c), if present, from the negative battery terminal (f) and attach the black cable (g) to the negative battery terminal (f) with the remaining hex screw (a) and square nut (b) (Figure 19).

**NOTE:** If the battery is put into service after the date shown on top/side of battery, charge the battery as instructed in the Charging the Battery section prior to operating the tractor.

## BATTERY MAINTENANCE

- Some batteries are filled with battery acid and then sealed at the factory. However, even a “maintenance free” battery requires some maintenance to ensure its proper life cycle.
- Spray the terminals and exposed wire with a battery terminal sealer, or coat the terminals with a thin coat of grease or petroleum jelly, to protect against corrosion.
- Always keep the battery cables and terminals clean and free of corrosion.
- Some models are equipped with a battery containing a liquid electrolyte. Handle the battery with care and avoid tipping to prevent leakage.

## BATTERY STORAGE

- When storing the tractor for extended periods, disconnect the negative battery cable. It is not necessary to remove the battery.
- All batteries discharge during storage. Keep the exterior of the battery clean, especially the top. A dirty battery will discharge more rapidly.
- The battery must be stored with a full charge. A discharged battery can freeze sooner than a charged battery. A fully charged battery will store longer in cold temperatures than hot.
- Recharge the battery before returning to service. Although the tractor may start, the engine charging system may not fully recharge the battery.

## Battery Removal

### ⚠ WARNING

Battery posts, terminals, and related accessories contain lead and lead compounds. Wash hands after handling.

The battery is located beneath the seat frame. To remove the battery:

#### MODELS WITH LEAD-ACID BATTERY

1. Remove the bolt and hex nut securing the black negative battery lead to the negative battery post (marked NEG [-]). Move the cable away from the negative battery post.
2. Remove the bolt and hex nut securing the red positive battery lead to the positive battery post (marked POS [+]).
3. Remove the hex washer screw (a) securing the battery hold-down bracket (b) to the frame. Then flip the battery hold-down bracket (b) up to free the battery (Figure 20).

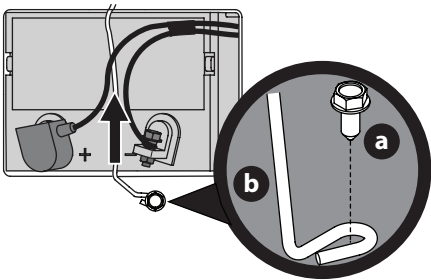


Figure 20

4. Carefully lift the battery out of the tractor.
5. Install the battery by repeating the above steps in the reverse order.

#### MODELS WITH AGM BATTERY

1. Remove the hex screw and square nut securing the black negative battery lead to the negative battery post (marked NEG [-]). Move the cable away from the negative battery post.
2. Remove the hex screw and square nut securing the red positive battery lead to the positive battery post (marked POS [+]).
3. Remove the hex washer screw (a) securing the battery hold-down rod (b) to the frame. Then flip the battery hold-down rod (b) up to free the battery (Figure 21).

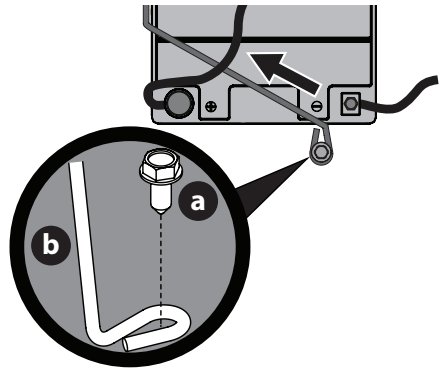


Figure 21

4. Carefully lift the battery out of the tractor.
5. Install the battery by repeating the above steps in the reverse order.

## Charging the Battery

Test and, if necessary, recharge the battery after the tractor has been stored for a period of time.

#### MODELS WITH LEAD-ACID BATTERY

- A voltmeter or load tester reading of 12.4 volts (DC) or lower across the battery terminals indicates that the battery needs to be charged.
- A lead-acid battery charger should be used. Recommended charge rate is 4A/14.7V.
- If your battery charger is automatic, charge the battery until the charger indicates that charging is complete. If the charger is not automatic, charge for no fewer than eight (8) hours.

#### MODELS WITH AGM BATTERY

- An AGM battery charger should be used. Recommended charge rate is 1.1A/14.8V.

**IMPORTANT!** Do not use an automotive charger.

- If your battery charger is automatic, charge the battery until the charger indicates that charging is complete. If the charger is not automatic, charge for no fewer than eight (8) hours.

## Operating the Seat Latch

1. Place the drive pedals in the neutral position and engage the parking brake.
2. Locate the seat latch at the rear base of the seat.
3. Press downward on the front tabs to disengage the seat latch.

# SET-UP

4. Rotate the entire seat pan upward (Figure 22).

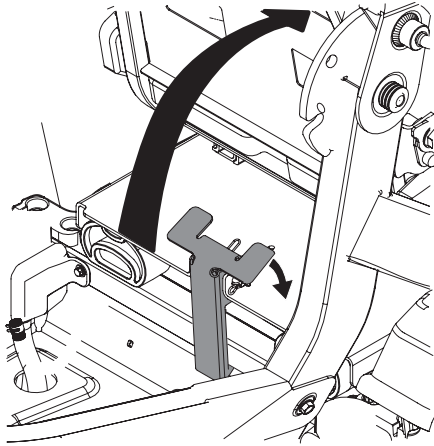


Figure 22

## Adjusting the Seat

1. Push left and hold the seat adjustment lever to adjust the seat position.
2. Slide seat forward or rearward to desired position.
3. Release the adjustment lever. Ensure seat is locked into position before operation (Figure 23).

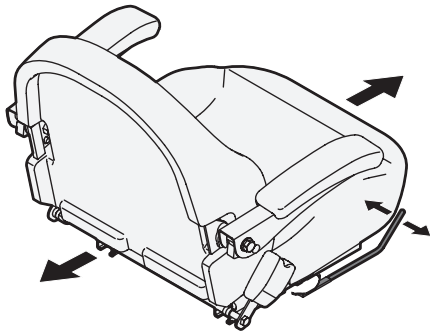


Figure 23

## Adjusting the Mechanical Suspension Mechanism (ZTXS6 models only)

The mechanical suspension mechanism (if equipped) incorporates weight/ride adjustment controls for operators in the 125 to 275 lb (57-124 kg) weight range. Turn the knob on the front of the seat clockwise to increase the weight capacity and counterclockwise to decrease (Figure 24).

**NOTE:** The seat base must be secured by the latch, otherwise, the seat assembly could tilt forward. The operator presence sensor must be connected to the electrical wiring harness.



Figure 24

# OPERATION

\*If equipped

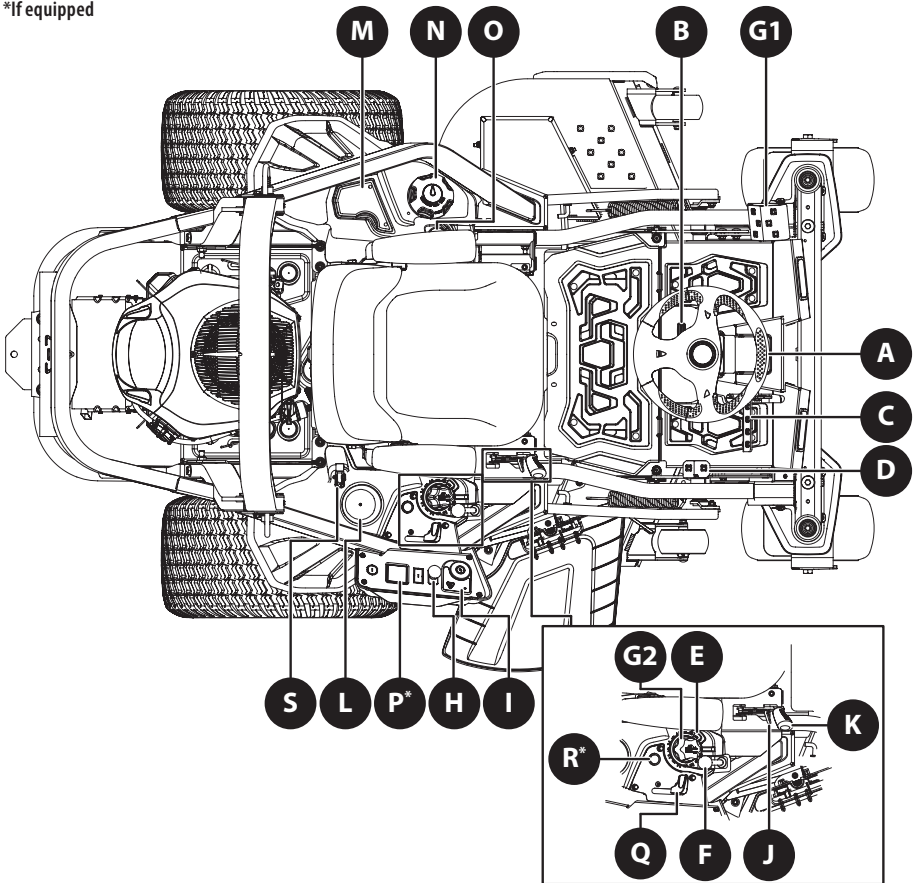


Figure 25

**NOTE:** This Operator's Manual covers several models. Tractor features may vary by model. Not all features in this manual are applicable to all tractor models and the tractor depicted may differ from yours.

**NOTE:** All references in this manual to the left or right side and front or back of the tractor are from the operating position only. Exceptions, if any, will be specified.

## A. STEERING WHEEL

The steering wheel is used to control the direction of the tractor.

## B. STEERING WHEEL COLUMN ADJUSTMENT LEVER

The steering wheel column adjustment lever is located on the left side of the steering wheel column. To adjust the column pull up on the steering wheel column adjustment lever and move the steering wheel column up into the desired position. Release the steering wheel column adjustment lever to secure the steering wheel column in the desired position.



## C. FORWARD DRIVE PEDAL

The forward drive pedal is located on the right side of the tractor, to the right of the steering wheel column. Press the forward drive pedal forward to cause the tractor to travel forward. Ground speed is also controlled with the forward drive pedal. The further forward the pedal is pressed, the faster the tractor will travel. The pedal will return to its original/neutral position when it is released.



## D. REVERSE PEDAL

The reverse drive pedal is located on the right side of the tractor along the running board, nearest to frame rail. Ground speed is also controlled with the reverse drive pedal. The further downward the pedal is pressed, the faster the tractor will travel. The pedal will return to its original/neutral position when it is released.





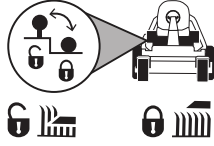
# OPERATION

## E. DECK HEIGHT INDEX

Each rotation represents a 1/4 inch (6.35 mm) change in deck height. Positions range from 1 inch (2.5 cm) to 4-3/4 inch (12 cm) at the highest point.

## F. DECK TRANSPORT LOCK CONTROL

The deck transport lock control is used to lock the deck above its highest cut setting into transport mode. To engage the deck transport lock control, depress the deck lift pedal and move the deck transport lock control into its rear position. To disengage the transport lock and set the deck to its designated cut height, depress the deck lift pedal and move the deck transport lock control into its front position.



## G. DECK LIFT

- 1. Deck Lift Pedal** - The deck lift pedal is located on the front, left corner of the platform. The pedal is used in conjunction with the deck lift knob to raise and lower the mowing deck. Push forward on the deck lift pedal, rotate the deck lift knob to the desired height, and release the deck lift pedal.
- 2. Deck Lift Knob** - The deck lift knob is used in conjunction with the deck lift pedal to raise and lower the mowing deck. Push forward on the deck lift pedal, rotate the deck lift knob to the desired height, and release the deck lift pedal.

## H. POWER TAKE-OFF (PTO)

The PTO switch operates the electric PTO clutch mounted on the bottom of the engine crankshaft. Pull the switch knob upward to engage the PTO clutch, or push the knob downward to disengage the clutch.

The PTO switch must be in the "OFF" position when starting the engine.




## I. IGNITION SWITCH MODULE


### ⚠ WARNING

Never leave a running tractor unattended. Always disengage PTO, set parking brake, stop tractor, and remove the key to prevent unauthorized operation.

The ignition switch module has three positions:

STOP  — The engine and electrical system is turned off.

RUN  — The tractor electrical system is energized.

START  — The starter motor will turn over the engine. Release the key immediately when the engine starts.

**NOTE:** To prevent accidental starting and/or battery discharge, remove key from the ignition switch module when tractor is not in use.

## J. TRANSMISSION BYPASS LEVER

The transmission bypass lever is located to the right of the operator's seat, next to the park brake lever. When engaged, the lever opens a bypass within the hydrostatic transmissions, which allows the tractor to be pushed short distances by hand. Refer to the Set-up section for additional instructions.



### ⚠ CAUTION

Never tow your tractor. Towing the tractor with the rear wheels on the ground may cause severe damage to the transmissions.

## K. PARK BRAKE LEVER

The park brake lever is located to the right of the operator's seat, next to the transmission bypass lever. It is used to engage the parking brake when the tractor is at rest. Refer to the Starting the Engine section of this manual for detailed instructions regarding the parking brake.



**NOTE:** The parking brake must be set if the operator leaves the seat with the engine running or the engine will automatically shut off.

## L. CUP HOLDER

The cup holder is located on the top of the console.

## M. STORAGE TRAY

The storage tray is located to the left of the operator's seat.

## N. FUEL TANK CAP

Turn the fill cap counterclockwise and pull upward to remove. The fuel cap is tethered to the tractor to prevent its loss. Do not attempt to remove the cap from the tractor. Fill tank to 1/2 inch (12.7 mm) below the bottom of the filler neck, allowing some space in the tank for fuel expansion. Do not overfill the tank.

Push the cap downward on the fuel tank fill neck and turn at least two clicks clockwise to tighten. Always reinstall the fuel cap tightly onto the fuel tank after removing.

### ⚠ WARNING

Never fill the fuel tank when the engine is running. If the engine is hot from recently running, allow to cool for at least five minutes before refueling. Highly flammable gasoline could splash onto the engine and cause a fire.

## O. FUEL GAUGE


The fuel gauge is located to the left of the seat and provides an indicator of the current fuel level in the tank.

# OPERATION

## P. HOUR METER AND LCD SERVICE MINDER (IF EQUIPPED)

The hour meter and LCD service minder will remind the operator of maintenance intervals for changing the engine oil, air filter service, low engine oil pressure, and low battery warnings. When the key is rotated out of the STOP position but is not in the START position, the hour meter and LCD service minder will briefly display the battery voltage, followed by the tractor's accumulated hours.



**NOTE:** When the ignition key is out of the STOP position, the hourglass  symbol is illuminated/blinks to indicate it is recording the hours of tractor operation, regardless of whether the engine has been started.

### Change Oil

The LCD screen will alternate the letters "CHG", followed by "OIL", followed by "SOON", followed by the meter's accumulated time. "CHG/OIL/SOON/TIME" will alternate on the display for 7 minutes after the meter reaches 50 hours. This oil service minder interval will occur every 50 hours. Before the interval expires, change the engine oil as instructed in the Engine Operator's Manual.

### Low Oil

**NOTE:** The low oil pressure function only works if the engine is equipped with an oil pressure switch.

The LCD screen will alternate the letters "LO" followed by "OIL", followed by the meter's accumulated time, which indicates the engine has low oil pressure. This is common when starting an engine. The indicator will remain active until the engine sufficiently builds pressure after starting. If it remains on with the engine at full speed and after a few minutes of operation, stop the tractor immediately and check the engine oil level and add as instructed in the Engine Operator's Manual. If the oil level is correct and the indicator persists, contact an authorized service dealer.

### Low Battery

At startup, the battery voltage will briefly display, then changes to accumulated hours. The letters "LO" followed by the letters "BATT" will display, followed by the meter's accumulated time. "LO/BATT/TIME" is displayed on the LCD when the voltage drops below 11.5 volts. When this occurs, the battery is in need of a charge or the engine's charging system is not generating sufficient amperage. Charge the battery as instructed in the Set-up section of this manual or have the charging system checked by your local service dealer.

### Air Filter Service

The LCD screen will display the letters "CLN" followed by the letters "AIR", followed by "FILT", followed by the meter's accumulated time. "CLN/AIR/FILT/TIME" will alternate on the display for 7 minutes after the meter reaches 25 hours. This air filter service minder time interval will be every 25 hours. On intervals that are common with oil service, the oil message will be displayed first followed by the air filter message.

## Q. THROTTLE CONTROL LEVER OR THROTTLE/CHOKE CONTROL LEVER

**NOTE:** When set in a given position, a uniform engine speed will be maintained.

### Throttle Control Lever (if equipped)

Push the throttle control lever



forward to increase

the engine speed. The tractor is designed to operate with the throttle control lever at full throttle (FAST) when the tractor is being driven and the tractor deck is engaged. Pull the throttle control lever rearward to decrease the engine speed.

### Throttle/Choke Control Lever (if equipped)

Push the throttle/choke control lever



forward to increase the engine speed. The tractor is designed to operate with the throttle/choke control lever at full throttle (FAST) when the tractor is being driven and the mower deck is engaged. Pull the throttle/choke control lever rearward to decrease the engine speed. When starting the engine, push the control lever fully forward into the "CHOKE" position. After starting and warming the engine, move the control handle rearward until you feel it move past the choke detent. Throttle is not meant to control unit speed; throttle should remain in high speed while operating blades.

## R. CHOKE CONTROL (IF EQUIPPED)

The choke control determines the position of the engine choke. Pull the knob out to choke the engine; push the knob in to open the choke.



## S. MULTI-TOOL

The multi-tool is located on the back of the right console. The multi-tool can be used as a deck lift lockout, to remove the footpan bolt, and can be used as a removal tool with the 1/2 inch socket end. See the Product Care section for more information on multi-tool usage.

## HEADLIGHTS (NOT SHOWN)

The headlights are located on the front of the frame. The headlights are ON whenever the ignition key is rotated out of the STOP position and OFF when the ignition key is moved to the STOP position.

## SEAT ADJUSTMENT LEVER (NOT SHOWN)

The seat adjustment lever is located under the seat. The seat adjustment lever allows for adjustment forward or backward of the operator's seat. Refer to the Set-up section for instructions on adjusting the seat position.

## OPERATION

### Before Operating Your Tractor

- Before operation, refer to the Maintenance Schedule chart located in this manual for regularly scheduled service items.
- This engine is certified to operate only on clean, fresh, unleaded gasoline. Fill only with clean, fresh, unleaded gasoline with a pump sticker octane rating of 87 or higher.
- Do not use gasoline left over from the previous season, to minimize gum deposits in the fuel system.
- Gasohol (up to 10% ethyl alcohol, 90% unleaded gasoline by volume) is an approved fuel. Other gasoline/alcohol blends are not approved.
- Methyl Tertiary Butyl Ether (MTBE) and unleaded gasoline blends (up to a maximum of 15% MTBE by volume) are approved fuels. Other gasoline/ether blends are not approved.

### Safety Interlock System

#### **⚠ WARNING**

Do not operate the tractor if the safety interlock system is malfunctioning. This system was designed for your safety and protection.

This tractor is equipped with a safety interlock system for the protection of the operator. If the interlock system should ever malfunction, do not operate the tractor. Contact an authorized service dealer.

- The safety interlock system prevents the engine from cranking or starting unless the parking brake is engaged and the PTO switch is in the DISENGAGED (OFF) position.
- The engine will automatically shut OFF if the operator leaves the seat before engaging the parking brake.
- The engine will automatically shut OFF if the operator leaves the tractor's seat with the PTO switch in the ENGAGED (ON) position, regardless of whether the parking brake is engaged.

### CHECKING THE SAFETY INTERLOCK CIRCUITS

Periodically check the safety interlock circuits to ensure they are working properly. If a safety circuit is not working as designed, contact your service dealer to have the tractor inspected. Do not operate the tractor if any safety circuit is not functioning properly. To check the safety circuits, proceed as follows:

1. Pull the PTO upward to the ENGAGED (ON) position. Momentarily turn the ignition switch module to the START position; the engine should not crank.
2. With the tractor running move both drive pedals to the neutral position; then lift upward from the operator's seat. The engine should stop.
3. With both drive pedals in the neutral position and the parking brake engaged, engage the PTO. Lift upward from the operator's seat; the engine should stop.

### Starting the Engine

#### **⚠ WARNING**

This tractor is equipped with a safety interlock system designed for the protection of the operator. Do not operate the tractor if any part of the interlock system is malfunctioning. Periodically check the functions of the interlock system for proper operation.

#### **⚠ CAUTION**

The operator should be sitting in the tractor seat when starting the engine.

**NOTE:** Refer to the Engine Operator's Manual for gasoline and oil fill-up instructions.

1. Operator must be sitting in the tractor seat.
2. Engage the parking brake by placing drive control pedals in neutral, pushing the park brake lever to the right out of the "OFF" position (a) and pulling the lever back until it locks into the "ON" position (b) (Figure 26).

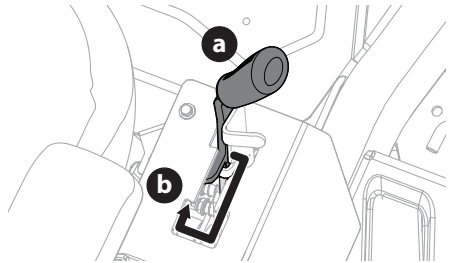


Figure 26

3. Make certain the PTO switch is in the disengaged (down) position.
4. Move the throttle control to midway between its SLOW and FAST positions.
5. Move the choke control into the CHOKE position (if equipped).

**NOTE:** If the engine is warmed up, it may not be necessary to choke the engine.

6. Turn the key clockwise to the START position. After the engine starts, release the key. It will return to the RUN position.

#### **⚠ CAUTION**

Do not hold the key in the START position for longer than ten seconds at a time. Doing so may cause damage to your engine's electric starter.

7. As the engine warms up, gradually pull the throttle/choke control lever rearward past the choke detent position or slowly disengage the choke on models with a separate choke. Do not use the choke position to enrich the fuel mixture, except as necessary to start the engine.

# OPERATION

8. Allow the engine to run for a few minutes at mid-throttle before putting the engine under load.
9. Observe the hour meter and LCD service minder. If the battery indicator light or oil pressure light come on, immediately stop the engine. Have the tractor inspected by your authorized service dealer.

## Cold Weather Starting

When starting the engine at temperatures near or below freezing, ensure the correct viscosity motor oil is used in the engine and the battery is fully charged. Start the engine as follows:

1. Be sure the battery is in good condition. A warm battery has much more starting capacity than a cold battery.
2. Use fresh winter grade fuel. Winter grade gasoline has higher volatility to improve starting. Do not use gasoline left over from summer.
3. Follow the previous instruction for Starting the Engine.

## Using Jumper Cables to Start Engine

### ⚠ WARNING

Batteries contain sulfuric acid and produce explosive gases. Make certain the area is well ventilated, wear gloves and eye protection, and avoid sparks or flames near the battery.

If the battery charge is not sufficient to crank the engine, recharge the battery. If a battery charger is unavailable and the tractor must be started, the aid of a booster battery will be necessary. Connect the booster battery as follows:

1. Connect the end of one cable to the disabled tractor battery's positive terminal; then connect the other end of that cable to the booster battery's positive terminal.
2. Connect one end of the other cable to the booster battery's negative terminal; then connect the other end of that cable to the frame of the disabled tractor, as far from the battery as possible.
3. Start the disabled tractor following the normal starting instructions previously provided; then disconnect the jumper cables in the exact reverse order of their connection.
4. Have the tractor's electrical system checked and repaired as soon as possible to eliminate the need for jump-starting.

## Stopping the Engine

1. Place the PTO switch in the disengaged position.
2. Engage the parking brake.
3. Move the throttle control to midway between its SLOW and FAST positions.
4. Turn the key to the STOP position and remove the key from the ignition switch module.

**NOTE:** Always remove the key from the ignition switch module to prevent accidental starting or battery discharge if the equipment is left unattended.

## Driving the Tractor

### ⚠ WARNING

Avoid sudden starts, excessive speed, and sudden stops.

### ⚠ WARNING

Sharp turns can affect control of the tractor. ALWAYS slow the tractor before making sharp turns.

1. Adjust the operator's seat to the most comfortable position that allows you to operate the controls. See Adjusting the Seat in the Set-up section.
2. Release the parking brake. Move the throttle/choke control lever or throttle control lever into the FAST position.
3. To travel FORWARD, slowly press the forward drive pedal (a) forward until the desired speed is achieved (Figure 27).

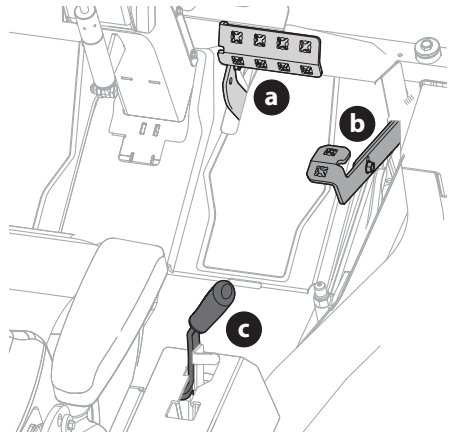


Figure 27

4. To stop or slow down the tractor, take your foot off of the forward (a) or reverse drive (b) pedal. To lock the parking brake, place drive control pedals in neutral and pull the park brake lever (c) back until it locks into the "ON" position (Figure 27).
5. To travel in reverse, check that the area behind is clear, then slowly push down on the reverse drive pedal (b) with the ball of your foot (NOT your heel) until the desired speed is achieved (Figure 27).


### ⚠ CAUTION

Do not attempt to change the direction of travel when the tractor is in motion. Always bring the tractor to a complete stop before moving the tractor from forward to reverse or vice versa.

## ⚠ WARNING


Do not leave the seat of the tractor without first placing the PTO knob in the DISENGAGED (OFF) position and engaging the parking brake. If leaving the tractor unattended, also turn the engine off and remove the key.

### Reverse Caution Mode

The REVERSE CAUTION MODE  position of the ignition switch module allows the tractor to be operated in reverse with the blades (PTO) engaged.



**NOTE:** Mowing in reverse is not recommended.

## ⚠ WARNING

Use extreme caution while operating the tractor in the REVERSE CAUTION MODE . Always look down and behind before and while backing. Do not operate the tractor when children or others are around. Stop the tractor immediately if someone enters the area.

To use the REVERSE CAUTION MODE .

**NOTE:** The operator MUST be seated in the tractor seat.

1. Start the engine as previously instructed.
2. Turn the key from the NORMAL MOWING MODE  (a) position to the REVERSE CAUTION MODE  (b) position of the ignition switch module (Figure 28).

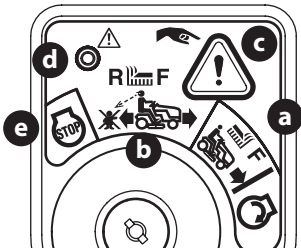



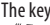




Figure 28

3. Press the REVERSE PUSH BUTTON  (c) at the top, right corner of the ignition switch module. The red indicator light (d) at the top, left corner of the ignition switch module will be ON while activated (Figure 28).
4. Once activated (indicator light ON), the tractor can be driven in reverse with the cutting blades (PTO) engaged.
5. Always look down and behind before and while backing to make sure no children are around. After resuming forward motion, return key to the NORMAL MOWING MODE  (a) position (Figure 28).
6. The REVERSE CAUTION MODE (b)  will remain activated until (Figure 28):
  - a. The key is placed in either the NORMAL MOWING MODE  (a) position or STOP  (e) position, or
  - b. The operator leaves the seat.

### Stopping the Tractor

1. Move both drive control pedals to the neutral position to stop the motion of the tractor.
2. Push the PTO downward to the OFF position.
3. Use the deck lift knob/handle to raise the deck to its highest position.
4. If dismantling the tractor, move the drive control pedals to the neutral position, engage the parking brake, move the throttle to the FAST position, turn the key to STOP  and remove from the ignition switch module.


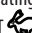
## ⚠ WARNING

Do not leave the seat of the tractor without first placing the PTO knob in the DISENGAGED (OFF) position and engaging the parking brake. If leaving the tractor unattended, also turn the engine off and remove the key.

### Engaging the PTO

Engaging the PTO transfers power to the cutting deck or other (separately available) attachments. To engage the PTO:

**NOTE:** During your tractor's initial break-in period, in order to engage the PTO and avoid engine stall, allow the engine to warm before engaging the PTO. Break-in period varies depending on your engine.

1. Move the throttle to the FAST  position.
  2. Pull the PTO switch up/out into the ENGAGED (ON) position.
- NOTE:** When operating the tractor be certain that the throttle is always in the FAST  position. Operating with the throttle at less than full throttle may lead to premature battery wear and a poor quality cut.
3. The operator must remain in the tractor seat at all times. If the operator should leave the seat without disengaging the PTO, the tractor's engine will shut off.
  4. The PTO clutch will not operate when the tractor is driving in the reverse direction without the use of the REVERSE CAUTION MODE. See Reverse Caution Mode section.
  5. To disengage the PTO, push the PTO switch down/in to the DISENGAGED (OFF) position.

# OPERATION

## Mowing

### WARNING

To help avoid blade contact or a thrown object injury, keep bystanders, helpers, children, and pets at least 75 feet (23 meters) from the machine while it is in operation. Stop machine if anyone enters the area.

### WARNING

Make certain the area to be mowed is free of debris, sticks, stones, wire, or other objects that can be thrown by the rotating blades.

### WARNING

Plan your mowing pattern to avoid discharge of materials toward roads, sidewalks, bystanders, and the like. Also, avoid discharging material against a wall or obstruction, which may cause discharged material to ricochet back toward the operator.

### WARNING

Be careful when crossing gravel paths or driveways. Disengage the PTO and raise the deck to the highest position before crossing.

**NOTE:** Do not engage the mower deck when lowered in grass. Premature wear and possible failure of the “V” belt and PTO clutch will result. Fully raise the deck or move to a non-grassy area before engaging the mower deck.

- Mow across slopes, not up and down. If mowing a slope, start at bottom and work upward to ensure turns are made uphill.
- Do not mow at high ground speed, especially if a mulch kit or grass collector is installed.
- Do not cut the grass too short. Short grass is prone to weed growth and yellows quickly in dry weather.
- Always operate the tractor with the throttle in the FAST position while mowing.
- On the first pass pick a point on the opposite side of the area to be mowed. Follow the point to maintain a straight line.
- Engage the PTO and move the throttle control or throttle/choke control to the FAST position.

- Lower the mower deck to the desired height setting.
- Slowly and evenly push the forward drive control pedal forward to move the tractor forward, and keep the tractor headed directly toward the alignment point.
- For best results it is recommended that the first two laps be cut with the discharge thrown toward the center. After the first two laps, reverse the direction to throw the discharge to the outside for the balance of cutting. This will give a better appearance to the lawn.

**NOTE:** The speed of the tractor will affect cut quality of the lawn. Mowing at full speed will adversely affect a high quality cut lawn. Control the ground speed with the drive pedals.

- Your tractor is designed to cut normal residential grass of a height no more than 10 inches (25 cm). Do not attempt to mow through unusually tall, dry grass (e.g., pasture) or piles of dry leaves. Dry grass or leaves may contact the engine exhaust and/or build up on the tractor.
- Do NOT attempt to mow heavy brush and weeds or extremely tall grass. Your tractor is designed to mow lawns, NOT clear brush.
- Keep the blades sharp and replace the blades when worn.
- When approaching the other end of the strip, slow down or stop before turning. A U-turn is recommended unless a pivot or zero turn is required.
- Align the mower with an edge of the mowed strip and overlap approximately 3 inches (7.6 cm).
- Direct the tractor on each subsequent strip to align with a previously cut strip.
- To prevent rutting or grooving of the turf, if possible, change the direction that the strips are mowed by approximately 45° for the next and each subsequent mowing.

When stopping the tractor for any reason while on a grass surface, always:

- Engage the parking brake.
- Shut engine off and remove the key.
- Doing so will minimize the possibility of having your lawn “browned” by hot exhaust from your tractor’s running engine.

# PRODUCT CARE

## MAINTENANCE SCHEDULE

### WARNING

Before cleaning, repairing, or inspecting, make certain the blade(s) and all moving parts have stopped. Turn off the engine, remove the key, disconnect the spark plug wire(s) and the negative battery cable to prevent unintended starting. Always wear safety glasses or safety goggles during operation and while performing an adjustment or repair to protect your eyes.

Follow the Maintenance Schedule given below. This chart describes service guidelines only.

Refer to the Engine Operator's Manual for engine maintenance items listed in the table below.

	Before Each Use	After First 5 Hours	Every 10 Hours	Every 25 Hours	Every 50 Hours	Every 100 Hours	Every 200 Hours	Prior to Storing	See Engine Operator's Manual
Check/Clean Engine Intake Screens, and Cooling Fans #	✓							✓	
Check/Clean Exhaust Manifold, Muffler Pipe, and Muffler Shields #	✓							✓	
Check/Clean Top and Underside of Deck, Under and Around Spindle Covers and Belt Area #	✓							✓	
Check/Clean Around Fuses, Wiring, and Wiring Harnesses #	✓							✓	
Check/Clean Around Transmission, Axle, and Fans #	✓							✓	
Check/Add/Change Transmission Fluid as needed							✓		
Check Air Filter for Dirty, Loose, or Damaged Parts	✓								
Check Engine Oil Level	✓								
Clean Battery Terminals			✓					✓	
Grease All Lubrication Points			✓					✓	
Check Engine Intake Screen/ Clean as Needed			✓					✓	
Check Blades/Sharpen or Replace as Needed			✓					✓	
Check Tire Pressure			✓					✓	
Check/Clean Underside of Deck	✓		✓					✓	
Check Safety Interlock System			✓					✓	
Check ROPS Hardware and Seat Belt Assembly			✓					✓	
Check Mower Blade Stop Time			✓					✓	
Inspect and Lube Deck Wheels				✓				✓	
Inspect and Lube Steering Joint				✓					
Check Deck Level/Pitch				✓				✓	
Check Belts and Pulleys for Damage/Wear					✓				

# PRODUCT CARE

	Before Each Use	After First 5 Hours	Every 10 Hours	Every 25 Hours	Every 50 Hours	Every 100 Hours	Every 200 Hours	Prior to Storing	See Engine Operator's Manual
Check that All Hardware is in Place and Secure						✓			
Check Engine Mounting Bolt Torque (Tighten to 325-450 in-lbs [37-50 N-m])		✓			✓			✓	✓
Check Blade Mount Nut Torque (Tighten to 70-90 ft-lbs [95-122 N-m])		✓			✓			✓	
Check Spark Plug Condition and Gap						✓		✓	✓
Engine Break-in Oil Change		✓							✓
Change Engine Oil					✓			✓	✓
Check Fuel System (Lines, Tank, Cap, Fittings)		✓			✓			✓	✓
Check Spark Arrestor		✓			✓			✓	✓
Replace Oil Filter					✓			✓	✓
Clean or Change Air Filter					✓				✓
Replace Fuel Filter					✓				✓
Have Valve Lash Checked and Adjusted *									✓

\* -- Have this item performed by an authorized service dealer.

# -- Perform more often in dry conditions and when mulching.

**NOTE:** This Operator's Manual covers several models. Tractor features may vary by model. Not all features in this manual are applicable to all tractor models and the tractor depicted may differ from yours.

## POST-OPERATION TRACTOR CARE

After each operation of the tractor, to ensure safe operating conditions, refer to the Maintenance Schedule chart in this manual for proper tractor care.

### WARNING

Failure to follow these recommendations may result in serious injury to yourself or others and may cause damage to the tractor.

## CLEANING THE TRACTOR

### WARNING

If the tractor has been recently run, the engine, muffler, and surrounding metal surfaces will be very hot and can cause burns to the skin. Let the engine cool for at least five minutes. Exercise caution to avoid burns.

Your tractor should be cleaned after each use, and under certain conditions, i.e., dry conditions and/or mulching situations, additional cleaning may be necessary.

One of the best ways to keep your tractor running efficiently and to reduce fire risk is to regularly remove debris buildup from the tractor. Follow the recommendations below and contact your authorized dealer with any questions.



# PRODUCT CARE

- Allow the machine to cool for at least five minutes in an open area before cleaning.

**NOTE:** Using a pressure washer or garden hose is not recommended for cleaning your tractor other than to clean the underside of the deck. It may cause damage to electrical components, spindles, pulleys, bearings, or the engine. The use of water will result in shortened life and reduce serviceability.

- Keep both sides of transmission cooling slots, exhaust manifold, around fuses, all wiring and harnesses, muffler pipe, muffler shield, engine intake screens and cooling fins, etc., clear of grass clippings and leaves (Figure 29).

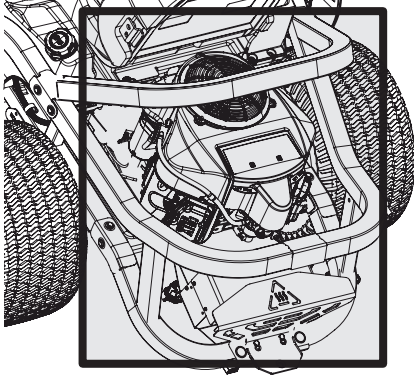


Figure 29

- Clean the top of the mower deck, under the spindle covers and belt area (Figure 30).

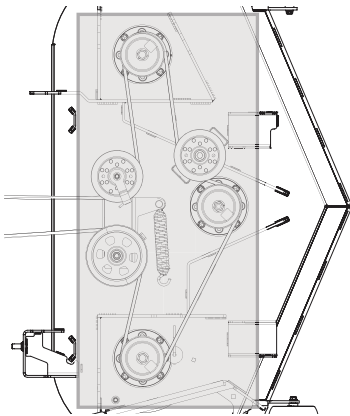


Figure 30

- Clean around and near the transmission, axle, and the fan area (Figure 31).

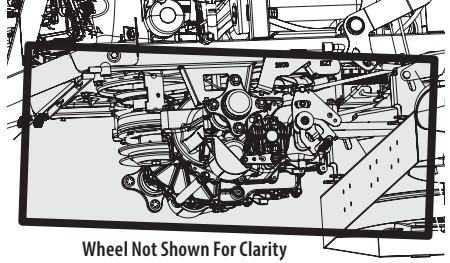


Figure 31

- Debris can accumulate anywhere on the tractor, especially on horizontal surfaces. Additional cleaning may be necessary when mowing in dry conditions or when mulching.
- Fuel leaks/spills, oil leaks/spills, and excess lubrication can also become collection sites for debris. Immediate repair and cleaning up oil or fuel spills can help reduce fire hazards.
- In addition to cleaning the tractor before operating and storing, do not attempt to mow unusually tall grass (10 inches [25.4 cm] or higher), dry grass (e.g., pasture), or piles of dry leaves. Dry grass or leaves may contact the engine exhaust and/or build up on the mower deck, presenting a potential fire hazard.

## Storing the Tractor

- Allow the machine to cool in an open area for at least five minutes before storing.
- Do not park the tractor near any flammable materials (wood, cloth, or chemicals) or any open flames or other potential source of ignition (furnace, water heater, or any other type of heater).
- Remove all combustible materials from the tractor before storing. Empty cargo boxes, grass catchers, or containers.
- Always shut off fuel flow when storing or transporting if tractor is equipped with a fuel shutoff.
- Check the fuel system (lines, tank, cap, and fittings) per the Maintenance Schedule for cracks or leaks. Repair and clean as necessary.

## MAINTENANCE

### Removing the Floor Panel

#### **⚠ WARNING**

Do not operate tractor with floor panel removed.

The floor panel can be removed for maintenance, service, and cleaning. To remove the floor panel:

1. Using the multi-tool or a 1/2-inch socket, remove the hex screw (a) that secures the floor panel in place (Figure 32).

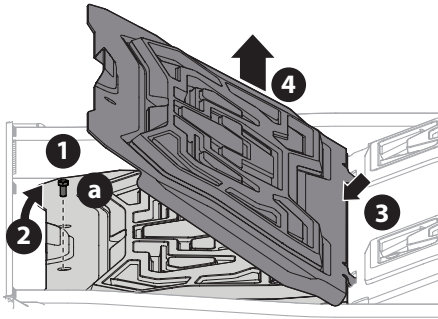


Figure 32

2. Carefully lift the rear of the floor panel (Figure 32).
3. Slide the floor panel rearward to free the front of the floor panel (Figure 32).
4. Lift it off the tractor (Figure 32).
5. To place the floor panel back on the tractor, carefully fit the front tabs at the front of the floor panel into place and lower the rear of the panel down into place, securing with the hex screw removed in Step 1.

### Engine

#### **⚠ WARNING**

Allow machine to cool in an open area for at least five minutes before storing or refueling.

Refer to the Engine Operator's Manual for all engine maintenance procedures and instructions.

**NOTE:** Maintenance, repair, or replacement of the emission control devices and systems which are being done at owner's expense may be performed by any engine repair establishment or individual. Warranty repairs must be performed by an authorized dealer.

### CHANGING THE ENGINE OIL

#### **⚠ WARNING**

If the tractor has been recently run, the engine, muffler, and surrounding metal surfaces will be very hot and can cause burns to the skin. Let the engine cool for at least five minutes. Exercise caution to avoid burns.

**NOTE:** The oil filter should be changed at every oil change interval.

To complete an oil change, proceed as follows:

1. Locate the oil drain hose (a) on the side of the engine (Figure 33).

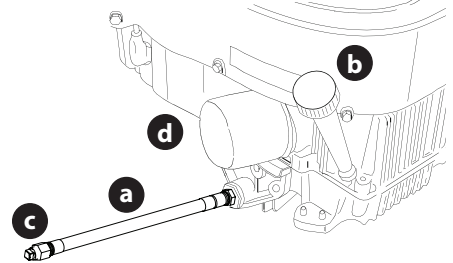


Figure 33

2. Place an appropriate oil collection container with at least a 2.5-quart (2.37 liter) capacity below the opening of the oil drain hose, to collect the used oil. Remove the oil fill cap/dipstick (b) from the oil fill tube (Figure 33).
3. While holding the free end of the oil drain hose over the oil collection container, unscrew the square head hose plug (c) from the end of the oil drain hose (Figure 33). Drain the engine oil into the collection container.
4. After draining the oil, wipe any residual oil from the oil drain hose. Thread the square head hose plug into the oil drain hose fitting and tighten the square head hose plug to 16 ft-lbs (22 N-m).
5. Remove the oil filter (d) and drain into the collection container (Figure 33).
6. Replace the oil filter (d), and refill the engine with new oil as instructed in the Engine Operator's Manual (Figure 33).

**NOTE:** Place an absorbent towel beneath the oil filter to keep oil off the clutch.

**NOTE:** Observe proper disposal laws and regulations for gas, oil, etc., to protect the environment.

**NOTE:** Maintenance, repair, or replacement of the emission control devices and systems which are being done at owner's expense may be performed by any engine repair establishment or individual. Warranty repairs must be performed by an authorized dealer.

## Lubrication

### **⚠ WARNING**

Before lubricating, repairing, or inspecting, always disengage PTO, set parking brake, stop engine, and remove key to prevent unintended starting.

Using a quality lubricating oil, lubricate all lubrication points. Refer to Maintenance Schedule located in this manual for proper service intervals.

### **Spark Arrestor Maintenance (if equipped)**

Spark arrestor assemblies must be inspected and cleaned periodically (see the Maintenance Schedule in this manual). Visually inspect the screen for tears, broken wires, or loose welds. Replace the spark arrestor assembly if any of these conditions exist. If the screen is in good condition, clean the screen by brushing away loose dirt or carbon particles.

### **Grease Points**

#### **FRONT WHEELS**

Each of the front wheel axles is equipped with grease fittings (Figure 34). Lubricate with a No. 2 multi-purpose grease applied with a grease gun after every 25 hours of tractor operation.

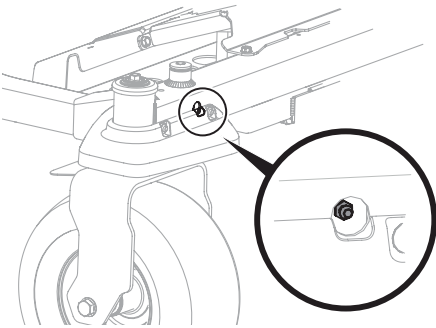


Figure 34

#### **STEERING JOINT**

The steering joint is equipped with two grease fittings (Figure 35). Lubricate with a No. 2 multi-purpose grease applied with a grease gun after every 25 hours of tractor operation.

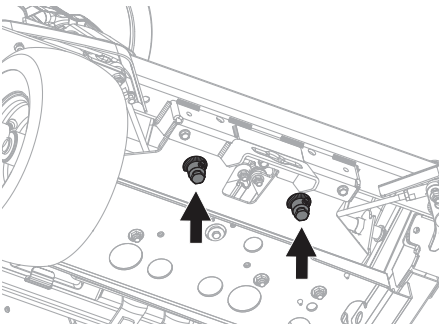


Figure 35

## Tires

Keep the tires inflated to the recommended pressures. Improper inflation will shorten the tire service life. See the tire side wall for proper inflation pressure. Refer to the Maintenance Schedule located in this manual for proper service intervals.

Observe the following guidelines:

- Do not inflate a tire above the maximum pressure shown on the sidewall of the tire.
- Do not reinflate a tire that has been run flat or seriously under-inflated. Have it inspected and serviced by a qualified tire mechanic.

### **Hydrostatic Transmission**

Your zero-turn tractor is equipped with two hydrostatic pumps/transaxles. Under normal operating conditions, the oil level in the expansion reservoirs does not need to be checked and no additional oil is needed.

#### **CHANGING THE TRANSMISSION OIL**

Please see your authorized service dealer for transmission oil changes.

### **Off-Season Storage**

If your tractor is not going to be operated for an extended period of time (30 days or more), the tractor should be prepared for storage. Store the tractor in a dry and protected location. If stored outside, cover the tractor (including the tires) to protect it from the elements. The procedures outlined below should be performed whenever the tractor is placed in storage.

1. Change the engine oil and filter following the instructions provided in this manual as well as the Engine Operator's Manual provided with this tractor.

### **⚠ WARNING**

Never store the tractor with fuel in the tank indoors or in poorly ventilated enclosures, where fuel fumes may reach an open flame, spark, or pilot light as on a furnace, water heater, clothes dryer, etc.

2. If storing the tractor for 30 days or more:
  - a. To prevent gum deposits from forming inside the engine's carburetor and causing possible malfunction of the engine, the fuel system must be either completely emptied, or the gasoline must be treated with a stabilizer to prevent deterioration.
  - b. Using a fuel stabilizer for storage between 30 and 90 days:
    - Read the product manufacturer's instructions and recommendations.
    - Add to clean, fresh gasoline the correct amount of stabilizer for the capacity of the fuel system.

# PRODUCT CARE

- Fill the fuel tank with treated fuel and run the engine for 2-3 minutes to get stabilized fuel into the carburetor.
  - Fuel left in the fuel tank deteriorates and will cause serious starting problems.
- c. Emptying the fuel system for storage of more than 90 days:
- Prior to putting the tractor in storage, monitor fuel consumption with the goal of running the fuel tank empty.
  - Run the engine until it begins to stall. Use the choke (if equipped) to keep the engine running until all fuel in the carburetor has been exhausted.
  - Referring to the Engine Operator's Manual, drain the fuel from the carburetor bowl.
3. Clean the engine and the entire tractor thoroughly.

**NOTE:** Using a pressure washer or garden hose is not recommended for cleaning your tractor other than to clean the underside of the deck. It may cause damage to electrical components, spindles, pulleys, bearings, or the engine. The use of water will result in shortened life and reduce serviceability.

4. Fully charge the battery, then disconnect the negative cable at the battery to prevent possible discharge. Recharge the battery periodically when in storage.

**NOTE:** Remove the battery if exposed to prolonged periods of sub-freezing temperatures. Store in a cool, dry location where temperatures are above freezing.

5. Lubricate all lubrication points.

## Removing the Tractor from Storage

1. Check the engine oil.
2. Fully charge the battery and inflate the tires to the recommended pressure. See tire side wall for proper tire inflation pressure.
3. Fill the fuel tank with clean, fresh gasoline.
4. Start the engine and allow to idle for a few minutes to ensure engine is operating properly.
5. Drive the tractor without a load to make certain all the tractor systems are functioning properly.

## ADJUSTMENTS

### Adjusting Deck Lift Pedal

The deck lift pedal can be adjusted to operator preference.

1. Set the deck to the transport position.
2. Remove the carriage bolt and hex nut near the center of the pedal assembly (Figure 36).

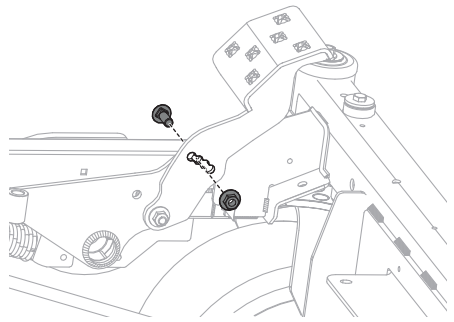


Figure 36

3. Position the pedal to the optimal position based on operator preference (Figure 37).

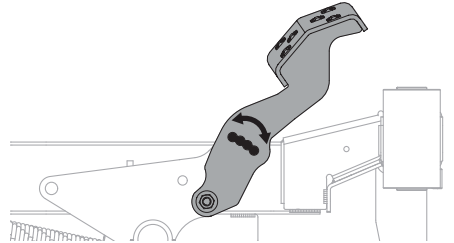


Figure 37

4. Reinstall the hardware previously removed and torque the hex nut to 28-35 ft-lbs (38-47 N-m) (Figure 36).

## Deck Leveling

If the cutting deck appears to be mowing unevenly, leveling adjustments can be performed.

### ⚠ WARNING

If the tractor has been recently run, the engine, muffler, and surrounding metal surfaces will be very hot and can cause burns to the skin. Let the engine cool for at least five minutes. Exercise caution to avoid burns.

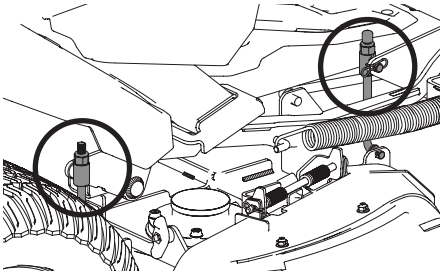
### ⚠ WARNING

Tractor blades are sharp. Wrap the blade or wear gloves, and use extra caution when servicing them.

### LEVELING THE DECK (SIDE-TO-SIDE)

1. Park the tractor on a firm, level surface.
2. Ensure that all tires are properly inflated.
3. Place the deck lift knob in a middle mowing position and rotate both outside blades so that they are perpendicular with the tractor.

4. Measure the distance from the outside of the left blade tip to the ground and the distance from the outside of the right blade tip to the ground. Both measurements taken should be equal. If they are not, proceed to the next step.
5. Locate the adjustment nuts on top of the deck lift rods on the left and right side of the tractor. There is one on each side at the front of the deck between the platform and lower frame tube, and one at each side of the rear of the deck near the front of the rear wheel (Figure 38).



Lower Frame Not Shown for Clarity

Figure 38

6. Remove the end cap from front deck lift rods and save for later installation.
7. Rotate either the left side (front and rear) or right side (front and rear) nuts clockwise to raise the deck height or counterclockwise to lower the deck, depending on the needed adjustment. Adjust each nut equally.

**NOTE:** Make adjustments in quarter-turn increments, and remeasure blade distance on both sides frequently.

### LEVELING THE DECK (PITCH/FRONT-TO-REAR)

The front of the deck should be between 1/8-3/8 inch (3-9 mm) lower than the rear of the deck. Adjust if necessary as follows:

1. Park the tractor on a firm, level surface and place the deck lift knob in a middle position.
2. Ensure that all tires are properly inflated.
3. Ensure side-to-side level.
4. Rotate the blade nearest the discharge chute so that it is parallel with the tractor.
5. Measure the distance from the front of the blade tip to the ground and the rear of the blade tip to the ground. The first measurement taken should be between 1/8-3/8 inch (3-9 mm) less than the second measurement.
6. Determine the approximate distance necessary for proper adjustment and proceed, if necessary.

- a. Remove the end cap on both front deck height adjust rods and save for later installation (Figure 39).

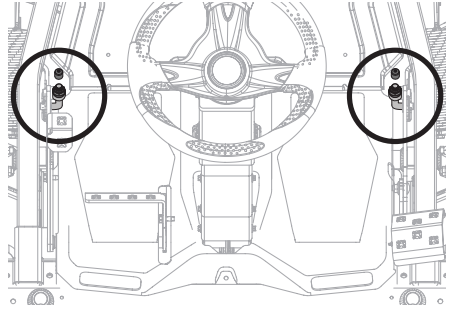


Figure 39

- b. Rotate both front nuts clockwise to raise the front deck pitch or counterclockwise to lower the front deck pitch, depending on the needed adjustment. Adjust each nut equally (Figure 39).

**NOTE:** Make adjustments in quarter-turn increments, and remeasure front-to-rear deck pitch blade distance frequently until proper pitch is achieved.

- c. Reinstall the end caps onto the deck rods.

### Adjusting the Deck Wheels

#### **⚠ WARNING**

Keep hands and feet away from the discharge opening of the cutting deck.

**NOTE:** The deck wheels are an anti-scalp feature of the deck and are not designed to support the weight of the cutting deck. The deck wheels should be approximately 1/4-1/2 inch (6.35-12.7 mm) above the ground when the deck is set in the desired height setting. To adjust the deck wheels, see the Set-up section for instructions.

### SERVICE

#### Electrical System

A fuse is installed to protect the tractor's electrical system from damage caused by excessive amperage. Always use the same capacity fuse for replacement. If the electrical system does not function, check for a blown fuse.

If you have a recurring problem with blown fuses, have the tractor's electrical system checked by an authorized service dealer.

## Relays and Switches

There are several safety switches in the electrical system. If a function of the safety interlock system described earlier is not functioning properly, have the electrical system checked by your authorized service dealer.

## Parking Brake Adjustment

If the tractor does not come to a complete stop when the drive control pedals are in the neutral position and the parking brake engaged, or if the tractor's rear wheels can roll with the parking brake engaged (and the hydrostatic relief valve open), the brake is in need of adjustment. See your authorized dealer to have the brake properly adjusted.

## Deck Removal

Remove the tractor deck from the tractor as follows:

1. Move the tractor to a level surface, disengage the PTO, stop the engine, place the drive pedals in the neutral position, and engage the parking brake.
2. There are two methods for removing the belt; to remove the belt by releasing belt tension, go on to Step 3, to remove the belt by rolling the belt off the PTO pulley skip, ahead to Step 4.

- c. Pull the left side of the belt rearward and downward while manually turning the PTO pulley to the right until the belt rides out onto the edge of the lower sheave of the pulley.

**NOTE:** If pulling the right side of the belt, turn the pulley left.

- d. While still holding the PTO belt (a) downward, continue turning the PTO pulley (b) until the PTO belt (a) is rolled off the PTO pulley (b) (Figure 41).

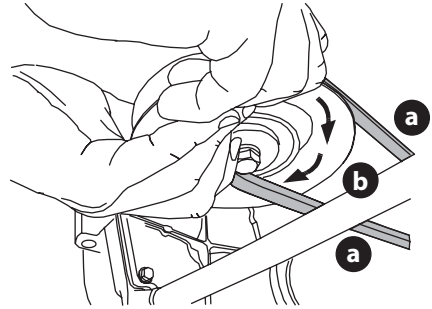


Figure 41

- e. Lower the deck into the lowest mowing position.

### **⚠ WARNING**

Use caution to avoid pinching your fingers when rolling the belt off the PTO pulley.

3. Release belt tension:
  - a. Using the deck lift pedal and knob, raise the deck to the position that provides the most horizontal run of the belt between the deck idler pulleys and the PTO pulley on the bottom of the engine.
  - b. Remove the idler spring from the wireframe spring hook on the right side of the center of the deck (Figure 40).

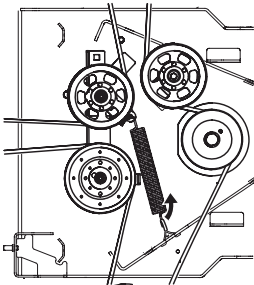


Figure 40

4. Roll the belt off the PTO pulley:
  - a. Raise the deck to the position that provides the most horizontal run of the belt between the deck idler pulleys and the PTO pulley on the bottom of the engine.
  - b. Sitting behind the tractor facing forward, reach beneath the tractor to grasp the belt at the front of the PTO pulley.

### **⚠ WARNING**

The deck lift is spring-assisted and under tension. Injury can occur if spring-assisted deck lift is released suddenly. Always use the multi-tool to secure the deck lift in place. Do not attempt to use the deck lift pedal while the deck is locked with the multi-tool in this way.

5. Use the deck lift pedal and deck lift knob to place the deck in the lowest position and use the multi-tool to lock the deck lift components in place. There are a pair of alignment holes by the rear wheel on the left side of the tractor (one on the frame and one on the deck lift arm) as shown in Figure 42. Ensure tool is fully inserted properly, locking the deck lift arm in place to the frame.

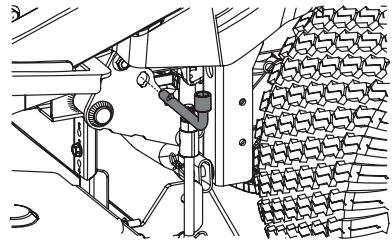


Figure 42

- Remove the two bow-tie pins from the deck rods that secure the front center lift link brackets on the frame to the front-center lift brackets on the deck and pull the front end of the rods out of place (Figure 43).

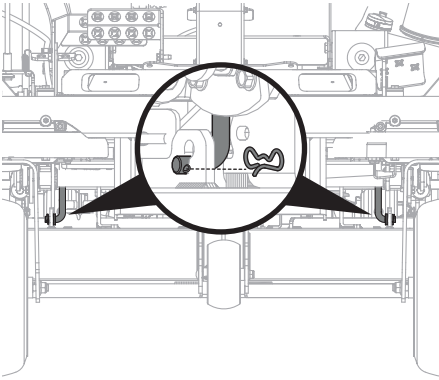


Figure 43

- Remove the deck stabilizer bar at the rear of the deck:
  - Remove the bow-tie cotter pin on the right side of the bar, connecting the bar with the bracket on the deck (Figure 44).

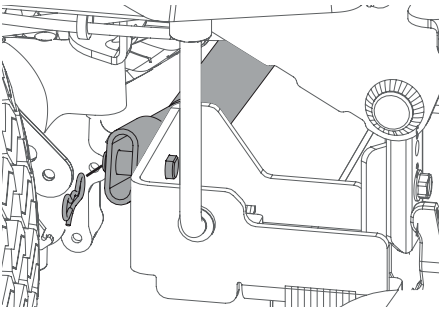


Figure 44

- Remove the bow-tie cotter pin on the left side of the bar, connecting the bar with the bracket on the frame (Figure 45).

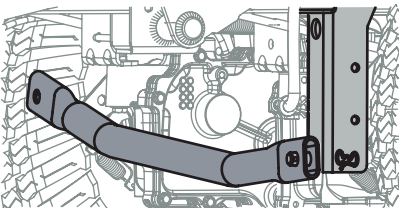


Figure 45

- Remove the bow-tie pin from the bottom clevis end of each deck height adjust rod. There is one at the front and one at the rear on each side of the deck (Figure 46) (left side shown).

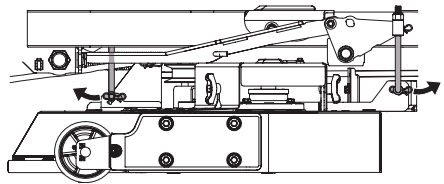


Figure 46

- Carefully maneuver the deck out from beneath the tractor.

## Deck Installation

Install the deck on the tractor as follows:

- Carefully maneuver the deck under the tractor from the right side, lining up the deck hanger rods and the deck lift rods on the tractor removed in the previous section with appropriate bracket connections on the top of the deck.
- Once the deck is under the tractor, move the deck to the lowest mowing position.

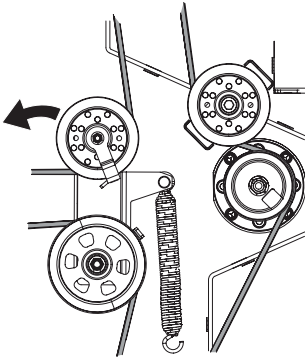
**NOTE:** To line the brackets up properly, it may be necessary to place a small block of wood under each side of the deck.

- Reinstall the applicable hardware for your tractor, in reverse order of the removal process:
  - Install the hanger rod clevis ends of the deck height adjust rods removed in Step 8 of Deck Removal and secure with the bow-tie pins previously removed.
  - Reinstall the deck stabilizer rod, at the rear of the deck, onto the frame at the left side, and onto the deck on the right side, with the bow-tie pins previously removed.
  - Reinstall the front hanger rods into the front center brackets on the deck and secure with the bow-tie pins previously removed.
- Make certain the "V" belt is in the spindle pulleys on the deck.
- Make certain that the backside of the belt is against both the fixed and movable idler pulleys. Reinstall or tighten any idler pulley hardware previously removed or loosened for deck removal.
- Route the belt rearward beneath the tractor frame, above the rear deck stabilizer bar, above the transmission tube(s), to the PTO pulley on the bottom of the engine.
- Raise the deck to the position that provides the most horizontal run of the belt between the deck idler pulleys and the PTO pulley on the bottom of the engine.
- Sitting behind the tractor, facing forward, make certain the belt is not twisted; then reach beneath the tractor to grasp the belt and pull it toward the PTO pulley.

## **⚠ WARNING**

Use caution to avoid pinching your fingers when rolling the belt off the PTO pulley.

9. Pull the right side of the PTO belt rearward and place the narrow "V" side of the PTO belt into the PTO pulley (Figure 47).



**Figure 47**

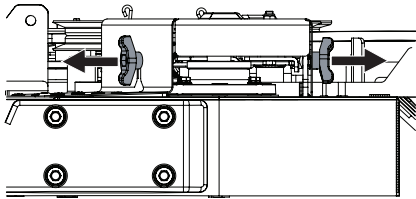
10. While holding the PTO belt and PTO pulley together, rotate the PTO pulley to the left (Figure 41 on page 30). Continue holding and rotating the PTO pulley and PTO belt until the PTO belt is fully rolled into the PTO pulley.

**NOTE:** Before using the tractor double-check the belt routing to make sure that the belt has been routed properly.

11. Check deck level and pitch. Adjust if necessary.

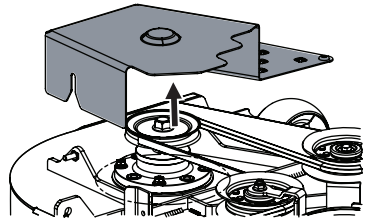
## **Replacing the Belt**

1. Remove the deck from beneath the tractor (refer to Deck Removal).
2. Remove the wing knobs securing the belt covers to the deck (Figure 48).



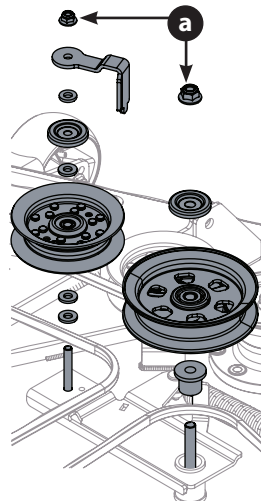
**Figure 48**

3. Remove the belt covers from the deck (Figure 49).



**Figure 49**

4. Remove the two idler pulley assemblies by removing the flange lock nuts (a) at the top of the assemblies, then removing the assemblies from the idler arm (Figure 50).



**Figure 50**

**NOTE:** Take note of all hardware, including the positions of the belt keepers for proper reinstallation later.

5. Remove the belt from the spindle pulleys.
6. Install the new belt around the spindle pulleys as shown and reinstall the belt covers removed in Step 3 of this section.
7. Place the belt around the idler pulleys removed in Step 4 with the "V" side facing in, and no kinks or twists along the run of the belt. Once in place, loosely reinstall the idler arm hardware.



- Route the belt as shown in Figure 51. Tighten and secure the idler arm hardware.

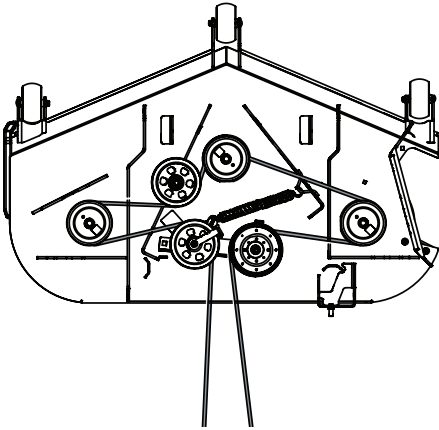


Figure 51

## TRACTOR BLADE CARE

### **⚠ WARNING**

Before performing any maintenance, disengage the PTO, move the drive control to the neutral position, and engage the parking brake. If leaving the tractor unattended, turn the ignition key to the STOP position and remove key. Protect your hands by using heavy gloves when handling the blades. When servicing the tractor deck, be careful not to cut yourself on the sharpened blades.

The cutting blades must be kept sharp at all times. Sharpen the cutting edges of the blades evenly so that the blades remain balanced and the same angle of sharpness is maintained.

If the cutting edge of a blade has already been sharpened many times, or if any metal separation is present, it is recommended that new blades be installed. New blades are available at your authorized dealer.

The blades may be removed as follows.

- Remove the deck from beneath the tractor (refer to Deck Removal), then gently flip the deck over to expose its underside.

- Place a block of wood (c) between the deck housing and the cutting edge of the blade (b) to help in breaking loose the hex nut (a) securing the blade (b). Use a 15/16-inch wrench to loosen the hex nut (a) (Figure 52).

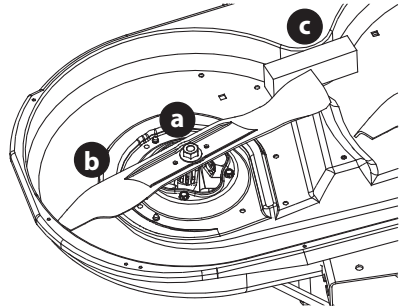


Figure 52

- When reinstalling the blades, be sure they are installed so that the wings are pointing upward toward the top of the deck.
- Tighten the hex nuts (a) to 70-90 ft-lbs (95-122 N-m).
- Reinstall the deck (refer to Deck Installation).

## Changing the Transmission Drive Belt

Several components must be removed and special tools used in order to change the tractor's transmission drive belt. See an authorized service dealer to have the transmission drive belt replaced.

## Tractor Creeping

Creeping is the slight forward or backward movement of the tractor when the throttle is on and the speed control pedals are in the neutral position. If tractor creeps, see an authorized service dealer.

# PRODUCT CARE

## TROUBLESHOOTING

### WARNING

Before cleaning, repairing, or inspecting, make certain the blade(s) and all moving parts have stopped. Turn off the engine, remove the key, disconnect the spark plug wire(s) and the negative battery cable to prevent unintended starting. Always wear safety glasses or safety goggles during operation and while performing an adjustment or repair to protect your eyes.

This section addresses minor service issues. To locate the nearest authorized service center, consult the separate supplement sheet for contact information.

Problem	Cause	Remedy
<b>Engine fails to start</b>	<ol style="list-style-type: none"><li>1. PTO/blade engage knob engaged.</li><li>2. Parking brake not engaged.</li><li>3. Spark plug wire disconnected.</li><li>4. Throttle control lever not in correct starting position.</li><li>5. Fuel tank empty, or stale fuel.</li><li>6. Blocked fuel line or fuel filter.</li><li>7. Faulty spark plug.</li><li>8. Engine flooded.</li><li>9. Fuse(s) blown.</li></ol>	<ol style="list-style-type: none"><li>1. Place knob in disengaged (OFF) position.</li><li>2. Engage parking brake.</li><li>3. Connect wire to spark plug.</li><li>4. Place throttle lever to FAST position.</li><li>5. Fill tank with clean, fresh (less than 30 days old) gas.</li><li>6. Replace fuel line. See an authorized service dealer. Replace fuel filter.</li><li>7. Clean, adjust gap, or replace plug.</li><li>8. Crank engine with throttle in FAST position.</li><li>9. Replace fuse.</li></ol>
<b>Engine runs erratically</b>	<ol style="list-style-type: none"><li>1. Tractor running with choke activated.</li><li>2. Spark plug wire loose.</li><li>3. Blocked fuel line or stale fuel.</li><li>4. Vent in gas cap plugged.</li><li>5. Water or dirt in fuel system.</li><li>6. Dirty air cleaner.</li></ol>	<ol style="list-style-type: none"><li>1. Check that the electric choke is working. See an authorized service dealer.</li><li>2. Connect and tighten spark plug wire.</li><li>3. Replace fuel line. See an authorized service dealer. Fill tank with clean, fresh gasoline and replace fuel filter.</li><li>4. Clear vent or replace cap if damaged.</li><li>5. Drain fuel tank. Refill with clean, fresh gasoline.</li><li>6. Clean or replace air cleaner paper element or clean foam pre-cleaner.</li></ol>

## PRODUCT CARE

Problem	Cause	Remedy
<b>Engine overheats</b>	<ol style="list-style-type: none"> <li>1. Engine oil level low.</li> <li>2. Air flow restricted.</li> </ol>	<ol style="list-style-type: none"> <li>1. Fill engine with proper amount and type of oil.</li> <li>2. Clean grass clippings and debris from around the engine's cooling fins and blower housing.</li> </ol>
<b>Engine hesitates at high RPMs</b>	<ol style="list-style-type: none"> <li>1. Spark plug gap set too close.</li> </ol>	<ol style="list-style-type: none"> <li>1. Remove spark plug and adjust gap.</li> </ol>
<b>Engine idles poorly</b>	<ol style="list-style-type: none"> <li>1. Fouled spark plug.</li> <li>2. Dirty air cleaner.</li> </ol>	<ol style="list-style-type: none"> <li>1. Replace spark plug and adjust gap.</li> <li>2. Clean or replace air cleaner element and/or clean pre-cleaner.</li> </ol>
<b>Excessive vibration</b>	<ol style="list-style-type: none"> <li>1. Cutting blades loose or unbalanced.</li> <li>2. Damaged, dull, or bent cutting blade.</li> </ol>	<ol style="list-style-type: none"> <li>1. Tighten blade and spindle. Balance blade.</li> <li>2. Replace blade.</li> </ol>
<b>Uneven cut</b>	<ol style="list-style-type: none"> <li>1. Deck not leveled properly.</li> <li>2. Dull blade.</li> <li>3. Uneven tire pressure.</li> </ol>	<ol style="list-style-type: none"> <li>1. Perform side-to-side deck adjustment.</li> <li>2. Sharpen or replace blade.</li> <li>3. Check tire pressure in all four tires.</li> </ol>

# MANUAL DEL OPERADOR

## Volante Tractor de radio de giro cero

Inglés (English).....	Página 1
Español .....	Página 36
Francés (French) .....	Página 74

### Registro de Información del Producto

Antes de configurar y hacer funcionar su equipo nuevo, por favor localice la placa de modelo en el equipo y registre la información en el espacio de la derecha. Para encontrar la placa de modelo, eleve el asiento y mire debajo de la bandeja del asiento. Si tiene que solicitar soporte técnico a través de nuestro sitio web o de un distribuidor de servicio local autorizado, necesitará esta información.

#### Número de modelo

#### Número de serie

### ADVERTENCIA

Lea y cumpla todas las reglas e instrucciones de seguridad de este manual antes de intentar operar esta máquina. Si no sigue estas instrucciones, se pueden provocar lesiones personales - GUARDE ESTAS INSTRUCCIONES.

### ADVERTENCIA

#### PROPOSICIÓN 65 DE CALIFORNIA

El escape del motor de este producto, algunos de sus componentes y algunos componentes del vehículo contienen o liberan sustancias químicas que el Estado de California considera que pueden producir cáncer, defectos de nacimiento u otros problemas reproductivos.

Los contactos, bornes y accesorios afines de las baterías contienen plomo y compuestos de plomo, sustancias químicas que según lo establecido por el Estado de California causan cáncer y problemas reproductivos. Lávese las manos después de estar en contacto con estos componentes. [www.p65warnings.ca.gov](http://www.p65warnings.ca.gov)

**NOTA:** este Manual del Operador corresponde a varios modelos. Las características pueden variar según los modelos. No todas las características que se incluyen en este manual se aplican a todos los modelos y el modelo que se ilustra aquí puede diferir del suyo.

# MEDIDAS DE SEGURIDAD

## ⚠ ADVERTENCIA



Este símbolo indica instrucciones de seguridad importantes que, de no seguirse, podrían poner en peligro la seguridad personal y/o la propiedad suya y de terceros. Lea y cumpla todas las instrucciones de este manual antes de intentar hacer funcionar esta máquina. Si no sigue estas instrucciones, se pueden provocar lesiones personales. Cuando vea este símbolo. ¡TENGA EN CUENTA LA ADVERTENCIA!

## ⚠ PELIGRO

Esta máquina está diseñada para ser utilizada respetando las medidas de seguridad contenidas en este manual. Al igual que con cualquier tipo de equipo motorizado, un descuido o error por parte del operador puede producir lesiones graves. Esta máquina es capaz de amputar manos y pies y de arrojar objetos. De no respetar las instrucciones de seguridad siguientes, se pueden ocasionar lesiones graves o la muerte.

## FUNCIONAMIENTO GENERAL

1. Lea, entienda y cumpla todas las instrucciones incluidas en el tractor y en los manuales antes de intentar armar la unidad y utilizarla. Guarde este manual en un lugar seguro para consultas futuras y periódicas, así como para solicitar repuestos.
2. Familiarícese con todos los controles y su correcto funcionamiento. Sepa cómo detener el tractor y desactivar los controles rápidamente.
3. No permita nunca que los niños menores de 14 años utilicen este tractor. Los niños de 14 años en adelante deben leer y entender las instrucciones y las normas de seguridad contenidas en este manual y sobre el tractor, y deben ser entrenados y supervisados por un adulto.
4. Nunca permita que los adultos operen este tractor sin recibir antes la instrucción apropiada.
5. Si se presentan situaciones que no están previstas en este manual, tenga cuidado y use el sentido común. Póngase en contacto con su representante de atención al cliente para obtener ayuda.
6. De conformidad con la Comisión de Seguridad de Productos para el Consumidor de los Estados Unidos (CPSC) y la Agencia de Protección Ambiental de los Estados Unidos (EPA), este producto tiene una vida útil estimada de siete (7) años, en condiciones normales de uso. Al final de su vida útil, se deberá solicitar una inspección del producto anualmente a fin de asegurarse de que todos los sistemas mecánicos y de seguridad funcionen adecuadamente, de manera segura y no estén excesivamente desgastados. Si no lo hace, puede ocasionar accidentes, lesiones o la muerte.

## PREPARATIVOS ANTERIORES AL USO

1. Revise minuciosamente el área donde se va a usar el tractor. Saque todas las piedras, palos, cables, huesos, juguetes y demás objetos extraños que puedan ser recogidos y arrojados por las cuchilla(s). Los objetos arrojados por la máquina pueden producir lesiones personales graves.
2. A fin de evitar lesiones por el contacto con las cuchillas o por objetos arrojados, mantenga a los asistentes a por los menos 75 pies (23 metros) del tractor mientras está en funcionamiento. Mantenga a los observadores, los niños y las mascotas en interiores durante el funcionamiento. Detenga el tractor si alguien entra en la zona.
3. Esté atento a la dirección de la descarga del tractor y no apunte a nadie.

4. Para protegerse los ojos, utilice siempre anteojos o antiparras de seguridad durante la operación o mientras realiza ajustes o reparaciones. Los objetos arrojados que rebotan pueden producir lesiones graves en los ojos.
5. Utilice zapatos de trabajo resistentes, de suela fuerte, y pantalones y camisas ajustados. Las ropas sueltas, las alhajas y el cabello largo pueden engancharse en las piezas móviles. Nunca haga funcionar este tractor si está descalzo o con sandalias.
6. Nunca llene en exceso el depósito de combustible. Llene el depósito no más de 1/2 pulgada (13 mm) por debajo de la base del cuello de llenado, para dejar espacio para la expansión del combustible.
7. Vuelva a colocar la tapa de la gasolina y ajústela bien.
8. Use solo aditamentos o accesorios aprobados para este tractor por el fabricante del tractor. Lea, comprenda y siga todas las instrucciones incluidas con el accesorio o aditamento aprobado.

## SISTEMA DE PROTECCIÓN DEL OPERADOR (OPS)

1. Este tractor está equipado con un Sistema de protección del operador (OPS), que incluye:
  - a. Estructura de protección antivuelco (ROPS) de la configuración fija o plegable.
  - b. Conjunto de cinturón de seguridad con función retráctil.
2. Las ROPS son estructuras diseñadas para proporcionar un espacio resistente al aplastamiento para el operador cuando se coloca correctamente el cinturón de seguridad dentro del área de asiento designada del tractor en caso de que el tractor se vuelque o vuelque. ROPS se utilizará en sus configuraciones totalmente verticales y bloqueadas, excepto en aquellas circunstancias en las que necesiten doblarse momentáneamente para evitar el contacto con elementos como ramas de árboles, cuerdas de ropa, cables, postes, edificios, etc. En otros momentos y condiciones, ROPS debe estar en sus configuraciones totalmente verticales y bloqueadas.
3. Se deben usar cinturones de seguridad y siempre deben estar correctamente abrochados alrededor de la cintura del operador, excepto cuando los ROPS son:
  - a. No está instalado correctamente y / o no está asegurado correctamente en el tractor.
  - b. Dañado de tal manera que la integridad estructural de ROPS se ha visto comprometida.

- c. No en su posición totalmente vertical y bloqueada.
4. Los cinturones de seguridad están unidos a la parte móvil del asiento cuando se utilizan asientos de suspensión y, por lo tanto, la base de montaje del asiento debe estar asegurada a sus medios de pivote y los medios de pivote asegurados / enganchados al bastidor del tractor. Los cinturones de seguridad están sujetos al asiento o al marco del tractor cuando se proporciona un asiento sin suspensión (estándar), sin embargo, si se agrega un kit de suspensión a un asiento, el cinturón de seguridad debe estar sujeto a la parte móvil del asiento o mecanismo de suspensión, la base de montaje del asiento debe estar asegurada a sus medios de pivote, y los medios de pivote deben estar asegurados / enganchados al bastidor del tractor.

## ADVERTENCIA

**Si la ROPS está doblada o falta, los cinturones de seguridad no deberán abrocharse. Se debe reemplazar un conjunto de cinturón de seguridad desgastado o dañado o un ROPS dañado antes de que el operador use el tractor.**

5. El ROPS se extiende por encima y detrás de la posición del operador y, por lo tanto, el operador debe ser consciente del posible contacto del ROPS con elementos como ramas de árboles, edificios, puertas, tendederos, cables de servicio / cables, etc., que podrían causar que el tractor volcar o volcar. Tenga precaución en (o evite) áreas donde el ROPS pueda entrar en contacto con estructuras, árboles, etc.
6. Un protector de arbutos o dosel puede contactar / desviar las ramas de los árboles, edificios, puertas, tendederos, cables de servicio / cables, etc. que de otro modo entrarían en contacto con el ROPS. El contacto del ROPS y / o el dosel con dichos artículos puede crear condiciones peligrosas por las cuales el tractor podría experimentar un vuelco o un vuelco.
7. El ROPS y el cinturón de seguridad son partes integrales de este tractor y no deben ser manipulados, modificados de ninguna manera ni eliminados.
8. Inspeccione los conjuntos de ROPS y cinturones de seguridad de acuerdo con el programa de mantenimiento que se muestra en este manual en busca de daños o hardware suelto. Reemplace todos los componentes que estén flojos, dañados o que no funcionen correctamente con piezas de repuesto autorizadas.
9. Si no usa el cinturón de seguridad adecuadamente, podría sufrir lesiones graves o la muerte si se produce un vuelco accidental. Para que el ROPS en la posición de arriba hacia arriba sea efectivo, el cinturón de seguridad debe estar abrochado de manera segura alrededor del operador en todo momento cuando el operador esté en el tractor. El operador del tractor que entra en contacto con el ROPS durante un vuelco o un vuelco puede causar lesiones graves o la muerte.
10. El ROPS no evitará que el tractor se vuelque.
11. No asuma que ROPS lo protegerá en caso de vuelco o vuelco. Las lesiones aún pueden ocurrir.

## FUNCIONAMIENTO

1. Los datos estadísticos muestran que los operadores mayores de 65 años se ven implicados en un alto porcentaje de lesiones relacionadas con tractores. Estos operadores deben evaluar su capacidad para operar el tractor en forma suficientemente segura para protegerse a ellos mismos y a los demás contra lesiones graves.
2. Desenganche la(s) cuchilla(s) y ponga el freno de mano en posición ON (encendido) antes de intentar arrancar el motor.
3. No ponga las manos ni los pies cerca de las piezas giratorias ni debajo de la plataforma de corte. El contacto con las cuchilla(s) puede amputar manos y pies.
4. Esté atento a los hoyos, surcos, baches, rocas, u otros objetos ocultos. El terreno desnivelado puede hacer que vuelque el tractor. El césped alto puede ocultar obstáculos.
5. Planifique el patrón de corte, para evitar que la descarga de material se realice hacia los caminos, las veredas, los asistentes, etc. Evite descargar material contra una pared u obstrucción, ya que esto podría hacer que el material descargado rebotara contra el operador.
6. Revise la holgura superior antes de conducir debajo de ramas bajas de árboles, cables, cerramientos de puertas, etc., donde el operador puede golpearse o ser tirado del tractor, lo que podría resultar en lesiones graves.
7. Nunca deje un tractor en funcionamiento sin vigilancia. Desconecte siempre las cuchillas, coloque las palancas / pedales de control de transmisión en neutral, coloque el freno de mano, apague el motor y saque la llave antes de bajarse de la unidad.
8. Desenganche la(s) cuchilla(s), coloque los pedales de control de la transmisión en punto neutro, ponga el freno de mano, pare el motor y espere hasta que la(s) cuchilla(s) se detenga(n) completamente antes de retirar el colector de césped, vaciar los recortes, desbloquear el canal de descarga, retirar cualquier residuo o desecho, o realizar cualquier ajuste.
9. Su tractor fue diseñado para cortar césped residencial normal, con una altura no mayor de 10 pulgadas (25 cm). No intente cortar césped demasiado crecido, seco (por ej., pastura) ni pilas de hojas secas. El césped o las hojas que están secos pueden entrar en contacto con el escape del motor y/o acumularse en la plataforma del tractor presentando un potencial peligro de incendio.
10. Retroceda lentamente. Siempre mire hacia abajo y hacia atrás antes y mientras retrocede para evitar accidentes en retroceso. Esté atento y vigile el funcionamiento del sistema de seguridad que corta la energía de las cuchillas al conducir marcha atrás. Si no funciona correctamente, póngase en contacto con un distribuidor autorizado para que se inspeccione y repare el sistema de seguridad.
11. Nunca lleve pasajeros.
12. Manténgase a por lo menos 10 pies (3 metros) de barrancos, zanjas o terraplenes o del borde del agua. El tractor puede volcarse repentinamente si una de las ruedas pasa el borde de un acantilado o zanja o si se desmorona un borde.
13. Un deflector del canal faltante o dañado puede provocar lesiones por contacto con las cuchillas o por objetos arrojados.
14. No opere el tractor si no está el deflector del canal o el colector de césped completo en su lugar correspondiente.

# MEDIDAS DE SEGURIDAD

15. Tenga mucho cuidado con los colectores de césped y otros accesorios. Pueden modificar la estabilidad del tractor. Siga siempre las instrucciones del fabricante del accesorio.
16. Detenga la(s) cuchilla(s) cuando cruce caminos de gravilla, senderos o caminos y cuando no esté cortando el césped.
17. Vigile el tránsito vehicular cuando esté operando cerca de caminos o en cruces. Este tractor no se ha diseñado para el uso en la vía pública.
18. Úsela solamente con luz natural o con buena luz artificial.
19. No haga funcionar el tractor si se encuentra bajo los efectos del alcohol o las drogas.
20. Reduzca la velocidad antes de girar. Opere el tractor suavemente. Evite que funcione de manera errática y a excesiva velocidad.
21. El silenciador y el motor están a temperatura muy alta y pueden provocar lesiones graves por quemaduras. No los toque. Deje que se enfríe el tractor durante cinco minutos antes de intentar cualquier tarea de mantenimiento.
22. Nunca haga funcionar un motor en interiores o en un área mal ventilada. El escape del motor contiene monóxido de carbono, un gas inodoro y letal.

## NIÑOS

1. Se pueden producir accidentes trágicos si el operador no está alerta por la presencia de niños. Por lo general, los niños se sienten atraídos por el tractor y su actividad. Los niños no son conscientes de los peligros. Nunca asuma que los niños permanecerán donde los vio por última vez.
2. Mantenga a los observadores, los niños y las mascotas en interiores durante la operación bajo la atenta supervisión de un adulto responsable que no sea el operador. Detenga el tractor si alguien entra en la zona.
3. Nunca transporte niños, ni siquiera con las cuchillas desactivadas. Podrían caerse o interferir con la operación segura del tractor, causando lesiones graves o la muerte.
4. Los niños que ya fueron transportados en el pasado podrían aparecer repentinamente en la zona de corte para otra vuelta y ser atropellados o también podrían ser arrollados al dar marcha atrás con el tractor, causando lesiones graves o la muerte.
5. Esté alerta y apague el tractor si un niño o un observador ingresa al área.
6. Para evitar accidentes al retroceder, siempre mire hacia atrás y hacia abajo para ver si hay niños.
7. Tenga mucho cuidado al aproximarse a las esquinas ciegas, puertas, arbustos, árboles u otros objetos que puedan obstaculizarle la vista de un niño que pudiese correr al encuentro del tractor.
8. No permita nunca que los niños menores de 14 años utilicen este tractor. Los niños de 14 años en adelante deben leer y entender las instrucciones y las normas de seguridad contenidas en este manual y sobre el tractor, y deben ser entrenados y supervisados por un adulto.
9. No permita que se transporte a ningún niño por diversión en el tractor. El tractor no es un juguete ni un carro de paseo. Advértale a sus hijos que el tractor puede ser peligroso y que deben mantenerse alejados de él en todo momento.
10. Mantenga a los niños alejados de los motores calientes o en funcionamiento. Pueden sufrir quemaduras al tocar un silenciador caliente.
11. Retire la llave cuando el tractor quede sin vigilancia para evitar el funcionamiento no autorizado. Asegúrese de que la llave quede fuera del alcance de los niños pequeños.

## FUNCIONAMIENTO EN PENDIENTES

1. Las pendientes son un factor importante en los accidentes ocasionados por pérdida de control y vuelcos que pueden causar lesiones graves e incluso la muerte. Todas las pendientes requieren precaución extra. Si no puede retroceder por la pendiente o si no se siente seguro, no realice ningún corte.
2. Para su seguridad, mida las pendientes antes de usar el tractor en el lugar inclinado. Use el dispositivo de medición de pendientes además del indicador de pendientes que se incluye como parte de este manual para medir las pendientes antes de operar este tractor en una zona inclinada o con pendientes. Para medir las pendientes, también se pueden usar aplicaciones de teléfonos inteligentes. Si la pendiente es de más de 20° (35%), como se muestra en el indicador de pendientes o un dispositivo de medición de pendientes, no haga funcionar este tractor en ese sector o podría causar lesiones graves.
3. No corte el césped en pendientes de más de 20° (35%).
4. No corte el césped subiéndolo y bajándolo, solo hágalo de forma transversal a las pendientes que son de menos de 20° (35%). Utilice las velocidades bajas y evite los giros bruscos.
5. No corte el césped húmedo. La reducción de la tracción puede causar derrapes o pérdidas del control.
6. No opere el tractor en ninguna condición en la que se comprometan la tracción, la dirección o la estabilidad. Los neumáticos podrían deslizarse incluso si las ruedas están detenidas.
7. Evite arrancar y parar en una pendiente. Evite hacer cambios repentinos de velocidad o dirección. Haga los giros de forma lenta y gradual.
8. Tenga mucho cuidado al operar este tractor con el colector de césped y otros accesorios. Pueden comprometer la estabilidad del tractor. No utilice el colector de césped en pendientes superiores a 10° (17%).
9. No intente estabilizar el tractor poniendo el pie en el suelo.
10. Haga que todos los movimientos en las pendientes sean lentos y graduales. No realice cambios bruscos de velocidad o dirección. La aceleración repentina podría hacer que el frente del tractor se levantara y volcara rápidamente hacia atrás, lo que podría producir lesiones graves o la muerte.

## INDICADOR DE PENDIENTE (CUBIERTA POSTERIOR)

### ADVERTENCIA

Las pendientes son un factor importante en los accidentes ocasionados por derrapes y caídas y pueden producir lesiones graves. Todas las pendientes requieren precaución extra. Si no se siente seguro en una pendiente, no corte el césped. No corte el césped en pendientes de más de 20° (35%). Siempre corte el césped de forma transversal a la pendiente, nunca hacia arriba y hacia abajo.

PARA DETERMINAR SI UNA PENDIENTE ES DEMASIADO EMPINADA Y EVITAR RIESGOS, USE EL INDICADOR DE PENDIENTE QUE APARECE EN LA CUBIERTA POSTERIOR COMO SE MUESTRA.

Para comprobar la pendiente, proceda de la siguiente manera:

1. Abra el manual por la contraportada y dóblelo por la línea de puntos.
2. Ubique un objeto vertical que esté sobre la pendiente o detrás de la misma (p. ej., un poste, un edificio, un cerco, un árbol, etc.).
3. Alinee cualquiera de los lados del indicador de pendiente con el objeto.
4. Ajuste el indicador hacia arriba o abajo hasta que la esquina izquierda toque la pendiente.
5. Si hay una separación por debajo del indicador, significa que la pendiente es demasiado empinada para una operación segura.

## INCENDIOS Y COMBUSTIBLE

1. Para evitar lesiones personales o daños materiales sea sumamente cuidadoso al manipular la gasolina. La gasolina es sumamente inflamable y sus vapores son explosivos. Si se derrama gasolina encima o sobre la ropa se puede lesionar gravemente ya que se podría prender fuego. Lávese la piel y cámbiese de inmediato.
2. Apague los cigarrillos, cigarros, pipas y toda otra fuente de combustión.
3. Utilice sólo recipientes para gasolina aprobados.
4. Nunca saque la tapa del combustible ni agregue combustible mientras el motor está caliente o en marcha. Deje que el motor se enfríe por lo menos cinco minutos antes de volver a cargar combustible.
5. Nunca cargue combustible en los tractores en interiores.
6. Nunca guarde el tractor o el recipiente de combustible en un espacio cerrado donde haya fuego, chispas o luz piloto, como por ejemplo de calentadores de agua, calefactores de ambientes, hornos, secadores de ropa u otros aparatos a gas.
7. Limpie la gasolina que se pueda haber derramado sobre el motor y el equipo. Limpie los derrames de combustible o de aceite y elimine los residuos empapados con gasolina. Traslade el tractor a otra zona. Espere 5 minutos antes de arrancar el motor.
8. Para reducir el riesgo de incendio, mantenga el tractor limpio de pasto, hojas y residuos acumulados. Siga las instrucciones de Cuidado del tractor posterior al funcionamiento de la sección de Cuidado del producto.

9. Su tractor fue diseñado para cortar césped residencial normal, con una altura no mayor de 10 pulgadas (25 cm). No intente cortar césped demasiado crecido, seco (como un pastizal) ni pilas de hojas secas. El césped o las hojas que están secos pueden entrar en contacto con el escape del motor y/o acumularse en la plataforma del tractor presentando un potencial peligro de incendio.
10. Nunca llene en exceso el depósito de combustible. Llene el tanque no más de 1/2 pulgada (13 mm) por debajo de la base del cuello de llenado, para dejar espacio para la expansión del combustible.
11. Vuelva a colocar la tapa de la gasolina y ajústela bien. No opere el tractor si la tapa del combustible no está colocada en su lugar.
12. Deje que el tractor se enfríe por lo menos cinco minutos antes de cargarle combustible o guardarlo.
13. Nunca llene los recipientes en el interior de un vehículo o camión o caja de remolque con un recubrimiento plástico. Siempre ubique los recipientes en el piso, lejos del vehículo antes de llenarlos.
14. Cuando sea factible, retire el equipo a gasolina del camión o remolque y llénelo en el suelo. Si esto no es posible, recargue combustible sobre un remolque con un recipiente portátil, en lugar de una boquilla dosificadora de combustible.
15. En todo momento, mantenga el pico en contacto con el borde del depósito de combustible o con la abertura del recipiente, hasta terminar la carga. No utilice un dispositivo de bloqueo/apertura de boquilla.

## TRANSPORTE

1. Utilice rampas de ancho total bien sujetas para cargar y descargar un tractor para el transporte.
2. Tenga mucho cuidado al cargar o descargar el tractor en un remolque o camión. Este tractor no debe conducirse subiendo o bajando rampas, ya que el tractor podría volcar y provocar lesiones personales graves. El tractor se debe empujar a mano en rampas para cargarlo o descargarlo correctamente.
3. Eleve la plataforma hasta la posición más alta para una separación para la carga.

## REMOLQUE

1. No remolque cargas que superen las 250 libras (113 kg) de peso de arrastre y nunca supere las 50 libras (22 kg) de peso sobre el punto de enganche.
2. No acople equipo remolcado excepto en el punto de enganche del tractor.
3. Nunca permita que los niños y otras personas se suban a equipos remolcados.
4. No remolque en pendientes de más de 5° (9%). En las pendientes, el peso del equipo remolcado puede causar pérdida de tracción y pérdida de control, y/o de la capacidad para detenerse.
5. Siempre tenga mucho cuidado al remolcar con un tractor capaz de hacer giros cerrados (por ejemplo, tractor cortacésped con radio de giro cero). Realice giros amplios para el acodillamiento.
6. Desplácese lentamente y deje distancia adicional para detenerse.



## SERVICIO

1. Mantenga la máquina en buenas condiciones de funcionamiento. No use el tractor hasta que se reemplacen las piezas desgastadas o dañadas.
2. Para evitar lesiones graves o la muerte, no modifique el motor de ninguna manera. La manipulación del ajuste del regulador puede modificar la regulación del motor y hacer que este funcione a velocidades inseguras. Nunca manipule el ajuste de fábrica del regulador del motor. No cambie la configuración del regulador del motor ni acelere demasiado el motor. El regulador del motor controla la velocidad máxima de funcionamiento seguro del motor.
3. Las cuchillas del tractor son afiladas. Envuelva la cuchilla o utilice guantes y extrene las precauciones cuando les haga mantenimiento.
4. Los tractores que tienen motores, mangueras o bombas hidráulicas, y/o sistemas de inyección diésel tienen sistemas de líquidos bajo presión. El líquido que escapa a presión puede tener fuerza suficiente para penetrar la piel y causar lesiones graves. Si se inyecta líquido en la piel, consulte de inmediato a un médico. Mantenga el cuerpo y las manos alejados de los orificios de pasadores o los picos que expulsan líquido a alta presión. Si ocurre una pérdida, haga que un distribuidor autorizado realice el mantenimiento del tractor de inmediato.
5. Antes de limpiar, reparar o inspeccionar la máquina, compruebe que la(s) cuchilla(s) y todas las piezas móviles se hayan detenido. Apague el motor, saque la llave y desconecte los cables de las bujías y el cable negativo de la batería para evitar un arranque involuntario.
6. Controle para garantizar que las cuchillas se detengan completamente en no más de cinco segundos después de desactivar el control de desactivación de las cuchillas según el intervalo del Cronograma de mantenimiento. Mida el tiempo hasta la detención con un cronómetro. Si las cuchillas no se detienen completamente en menos de cinco segundos, su tractor debe ser reparado por un profesional en un distribuidor de servicio autorizado.
7. Controle el sistema de interbloqueo de seguridad, según el intervalo del Cronograma de mantenimiento para un funcionamiento correcto, tal como se describe más adelante en este manual. Si el sistema de interbloqueo de seguridad no funciona correctamente, lleve su tractor a hacerle un servicio profesional de un distribuidor autorizado.
8. Nunca altere el sistema de interbloqueo de seguridad u otros dispositivos de seguridad. Compruebe regularmente que estos elementos funcionen correctamente.
9. Controle el par de ajuste del perno de montaje del motor y las cuchillas de acuerdo con la tabla del Cronograma de mantenimiento de este manual. Además, inspeccione visualmente las cuchillas para detectar la presencia de daños (por ejemplo: desgaste excesivo, abolladuras, rajaduras). Reemplace las cuchillas por cuchillas de los fabricantes del equipo original (O.E.M.) únicamente.
10. El uso de piezas de mantenimiento que no cumplen con las especificaciones del equipo original puede resultar en rendimiento inadecuado y puede poner en peligro la seguridad.

11. Mantenga todas las tuercas, pernos y tornillos bien ajustados para asegurarse de que el equipo está en condiciones de funcionamiento seguras. Revise la tabla del Cronograma de mantenimiento de este manual para obtener información sobre el intervalo de mantenimiento.
12. Después de golpear algún objeto extraño, detenga el motor, desconecte los cables de las bujías y el cable negativo de la batería para evitar un arranque involuntario. Revise cuidadosamente para detectar daños. Repare el daño antes de volver a arrancar y operar la máquina.
13. Nunca intente hacer ajustes o arreglos en el tractor con el motor en marcha.
14. Los componentes del colector de césped y el deflector del canal están sujetos a desgaste y daños lo que podrían dejar expuestas las piezas móviles o permitir que se arrojaran objetos. Verifique frecuentemente los componentes y reemplácelos inmediatamente por piezas del fabricante del equipo original (O.E.M.) únicamente.
15. Mantenga o reemplace las etiquetas de seguridad e instrucciones según sea necesario.
16. Respete las normas y reglamentaciones sobre la manera correcta de desechar gasolina, aceite, etc. para proteger el medio ambiente.

## AVISO SOBRE LAS EMISIONES DEL MOTOR

Los motores tienen la certificación de cumplimiento de las reglamentaciones de California y federales para SORE (equipo pequeño para uso fuera de carreteras), funcionan con gasolina normal y pueden incluir los siguientes sistemas de control de emisiones: Modificación de motor (EM) y catalizador de tres vías (TWC) si están equipados con esos sistemas.

Cuando sea necesario, los modelos están equipados con líneas de combustible y depósitos de combustible de baja penetración para controlar las emisiones por evaporación. Los modelos de California también pueden incluir un filtro de carbono. Por favor, póngase en contacto con Atención al cliente para obtener información sobre la configuración del control de emisiones por evaporación para su modelo.

## AMORTIGUADOR DE CHISPAS

### ADVERTENCIA

**Este tractor cortacésped está equipado con un motor de combustión interno y no debe ser utilizado en o cerca de un terreno agreste cubierto por bosque, malezas o hierba excepto que el sistema de escape del motor esté equipado con un amortiguador de chispas que cumpla con las leyes locales o estatales correspondientes (en caso de existir).**






Si se utiliza un amortiguador de chispas el operador lo debe mantener en condiciones de uso adecuadas. En el Estado de California, las medidas anteriormente mencionadas son exigidas por ley (Artículo 4442 del Código de Recursos Públicos de California). Es posible que existan leyes similares en otros estados. Las leyes federales se aplican en territorios federales.

Puede conseguir el amortiguador de chispas para el silenciador a través de su distribuidor autorizado de motores más cercano o poniéndose en contacto con el departamento de servicios, P.O. Box 361131, Cleveland, Ohio 44136-0019.

# MEDIDAS DE SEGURIDAD

## SÍMBOLOS DE SEGURIDAD

Esta tabla representa y describe los símbolos de seguridad que PUEDEN APARECER en este producto.

Símbolo	Descripción
 <p data-bbox="236 430 414 454"><b>OPESymbol.com</b></p>	<p><b>ADVERTENCIA - LEA LOS MANUALES DEL OPERADOR</b> - Lea, entienda y cumpla todas las reglas e instrucciones de seguridad que se incluyen en el manual y en el tractor antes de intentar utilizar este tractor. Si no cumple con lo que indica esta información, se pueden provocar lesiones personales o la muerte. Conserve este manual en un lugar seguro para usarlo como referencia futura habitual. Con un teléfono inteligente, escanee el símbolo del código de QR para obtener más información sobre las advertencias incluidas en este tractor. También puede visitar <a href="http://www.OPESymbol.com">www.OPESymbol.com</a> para obtener más información.</p>
	<p><b>ADVERTENCIA - EVITE LESIONES POR OBJETOS ARROJADOS</b> - Mantenga a los asistentes a una distancia al menos de 75 pies (23 metros) del tractor durante el funcionamiento de la cortadora de césped. Saque todas las piedras, palos, cables, huesos, juguetes y demás objetos extraños que puedan ser recogidos y arrojados por la(s) cuchilla(s). Nunca opere el tractor si no está bien colocada la cubierta de descarga o si no está instalado el colector de césped completo en el lugar que corresponde.</p>
	<p><b>ADVERTENCIA - EVITE LESIONES EN NIÑOS AL RETROCEDER/POR ATROPELLAR/POR CONTACTO CON LAS CUCHILLAS</b> - Para evitar accidentes al retroceder, siempre mire hacia atrás y hacia abajo para ver si hay niños. Nunca transporte niños, ni siquiera con las cuchillas desactivadas. Mantenga a los observadores, los niños y las mascotas en interiores durante la operación bajo la atenta supervisión de un adulto responsable que no sea el operador. Detenga el tractor si alguien entra en la zona.</p>
	<p><b>ADVERTENCIA - EVITE LESIONES POR VUELCOS</b> - No utilice la máquina en una pendiente superior a 20° (35%). No corte el césped subiendo y bajando pendientes, solo hágalo de forma transversal a las pendientes que tienen menos de 20° (35%). Utilice las velocidades bajas y evite los giros bruscos en las pendientes. Manténgase al menos a 10 pulgadas (3 metros) de los desniveles, zanjas, terraplenes o del borde del agua.</p>
	<p><b>ADVERTENCIA - EVITE INCENDIOS</b> - Su tractor está diseñado para cortar césped residencial normal de una altura no superior a 10 pulgadas (25 cm). No intente cortar césped demasiado crecido, seco (como un pastizal) ni pilas de hojas secas. Deje que el tractor se enfríe al menos cinco minutos antes de repostar o de guardarlo dentro de un garaje o en una barraca de almacenamiento.</p>

# MEDIDAS DE SEGURIDAD

Símbolo	Descripción
	<p><b>ADVERTENCIA - EVITE LESIONES DE AMPUTACIÓN</b> - No ponga las manos ni los pies cerca o debajo de la plataforma de corte. El contacto con las cuchilla(s) puede amputar manos y pies.</p>
	<p><b>ADVERTENCIA - EVITE LESIONES DE AMPUTACIÓN</b> - No ponga las manos ni los pies cerca de las piezas rotatorias ni debajo de la plataforma de corte. El contacto con la(s) cuchilla(s) puede amputar manos y pies. Compruebe que todos los dispositivos de seguridad (protecciones, escudos, interruptores, etc.) estén en su lugar y funcionando. El contacto con las correas y/o el husillo de las cuchillas puede aplastar o lesionar partes del cuerpo.</p>
	<p><b>ADVERTENCIA - EVITE LAS LESIONES POR PUNTOS DE APLASTAMIENTO/COMPRESIÓN</b> - Lea, comprenda y siga todas las reglas e instrucciones de seguridad que se incluyen en el manual y en el tractor antes de intentar realizar el mantenimiento de este tractor. La elevación de la plataforma se acciona por resorte y está bajo tensión. Utilice siempre la herramienta para usos múltiples provista para fijar el sistema de elevación en la posición de bloqueo antes de intentar extraer la plataforma de la cortadora de césped.</p>
	<p><b>ADVERTENCIA - SACAR LA LLAVE</b> - Apague siempre la(s) cuchilla(s), ponga los pedales de accionamiento en punto neutro, pare el motor y retire la llave antes de desmontar. Si va a dejar el tractor sin supervisión, saque siempre la llave para evitar que niños u otras personas utilicen el tractor sin autorización.</p>
	<p><b>ADVERTENCIA - EVITE LAS LESIONES RELACIONADAS CON EL REMOLQUE</b> - No remolque cargas que superen las 250 libras (113 kg) de peso de arrastre y nunca supere las 50 libras (22 kg) de peso sobre el punto de enganche. Nunca permita que los niños y otras personas se suban a equipos remolcados. No remolcar en pendientes superiores a 5° (9%). En las pendientes, el peso del equipo remolcado puede provocar la pérdida de tracción, la pérdida de control y/o de la capacidad para detenerse. Desplácese lentamente y deje distancia adicional para detenerse.</p>
	<p><b>ADVERTENCIA - EVITAR LESIONES GRAVES O LA MUERTE POR EL VUELCO</b> - Mantenga la barra antivuelco en posición vertical elevada con el cinturón de seguridad abrochado. Baje la barra antivuelco y no se abrache el cinturón de seguridad en situaciones de poco espacio libre. Levante la barra antivuelco y abrache el cinturón de seguridad tan pronto como el espacio lo permita.</p>

## ⚠ ADVERTENCIA

**Su responsabilidad**—Limite el uso de esta máquina motorizada a las personas que lean, comprendan y respeten las advertencias e instrucciones que figuran en este manual y en la máquina. - ¡GUARDE ESTAS INSTRUCCIONES!

**NOTA:** este manual de operación, corresponde a varios modelos. Las características del tractor pueden variar según los modelos. No todas las características que se incluyen en este manual se aplican a todos los modelos de tractor y la máquina que se ilustra aquí puede diferir de la suya.

**NOTA:** todas las referencias que contiene este manual sobre los lados derecho e izquierdo y trasero o delantero del tractor se hacen siempre desde la posición de operación. Las excepciones, si las hubiere, serán especificadas.

## PREPARATIVOS

### Movimiento Manual del Tractor

1. Para conectar la derivación de la transmisión, tire de la palanca de derivación de la transmisión (a) situada a la derecha del asiento del operador (junto a la palanca del freno de estacionamiento (b)), hacia atrás y hacia la muesca situada en el lado derecho de la ranura (Figura 1).

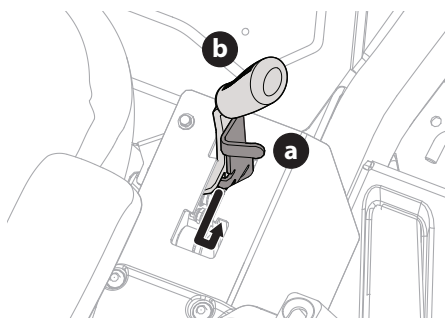


Figura 1

2. Luego de mover el tractor, invierta el paso 1 para desactivar la derivación de la transmisión.

### Instale el enganche (si fuera necesario)

1. Ubique el enganche e instálelo en la parte trasera del bastidor con los dos tornillos de arandela hexagonal proporcionados (Figura 2).

**NOTA:** el enganche y los tornillos de arandela hexagonal estarán en el paquete de herrajes.

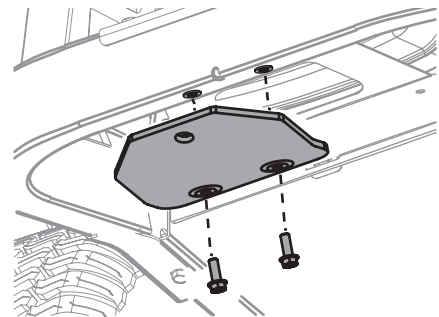


Figura 2

### Sistema de Protección Antivuelco (ROPS)

Consulte las tres (3) posiciones para el ROPS en la Figura 3 y en las siguientes descripciones y usos.

- **TRANSPORTE:** Sólo para usar cuando esté transportando el tractor o cuando se lo deba plegar momentáneamente para evitar contacto con elementos como ramas de árboles, sogas para colgar ropa, retenidas de alambre, postes de servicios públicos, edificios, etc.
- **TRANSPORTE CON EMBOLSADORA:** Permite bajar el ROPS para situaciones descriptas para la posición de TRANSPORTE cuando el tractor está equipado con una embolsadora.
- **OPERACIÓN:** El ROPS siempre debería estar en esta posición cuando esté operando a menos que surjan las situaciones indicadas en las descripciones TRANSPORTE y TRANSPORTE CON EMBOLSADORA.

#### Posiciones del ROPS

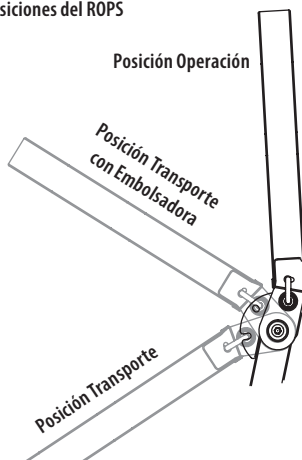


Figura 3

Para cambiar la posición del ROPS:

1. Tire ligeramente hacia arriba del ROPS superior para aliviar cualquier tensión sobre la chaveta de cierre (a) y gire la chaveta de cierre (a) de la posición TRABADA (b) a la posición AJUSTE (c). Repita el procedimiento para la chaveta de cierre del lado opuesto (Figura 4).

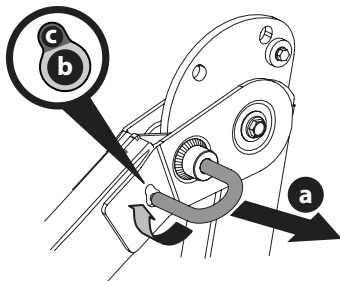


Figura 4

- Mueva el ROPS a la posición deseada (Figura 5).

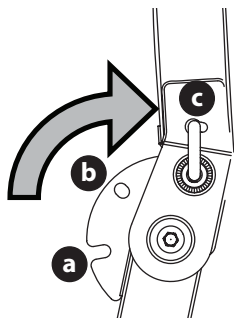


Figura 5

**NOTA:** las tres posiciones son posición TRANSPORTE (a), posición TRANSPORTE CON EMBOLSADORA (b) y posición OPERACIÓN (c) (Figura 5).

- Gire ambas chavetas de cierre a la posición TRABADA. Mueva el ROPS superior ligeramente hasta que las chavetas de cierre encajen dentro de la posición TRABADA.

**NOTA:** vea el ejemplo del ROPS colocado correctamente Figura 6.

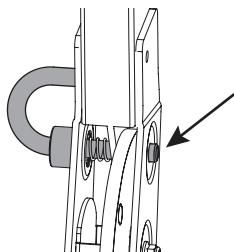


Figura 6

## ⚠ PELIGRO

Siempre verifique que los pasadores de bloqueo derecho e izquierdo del ROPS estén asentados y completamente enganchados a través del conjunto de bisagra para que cada pasador de bloqueo sea visible en la cara interior. Si no bloquea completamente cada pasador de bloqueo, se pueden producir lesiones graves o la muerte.

### Asiento del operador

#### INSTALE EL ASIENTO DEL OPERADOR (SI FUERA NECESARIO)

- Corte cualquier tira que sujete el conjunto del asiento al tractor. Extraiga todo el material de embalaje.

**NOTA:** tenga cuidado de no cortar el arnés de cables del asiento.

- Instale el asiento en la bandeja del asiento (b) con las tuercas de seguridad con reborde (a) (Figura 7).

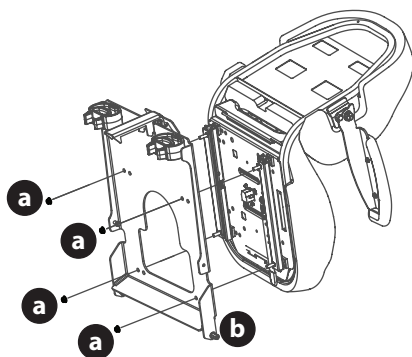


Figura 7

- Si es necesario, conecte el arnés de cables del interruptor del asiento (a) al interruptor del asiento (b) (Figura 8). Sujete el cable sobrante alejado de los puntos de apriete antes de continuar.

**NOTA:** el tractor no funcionará sin estar conectado el arnés de cables del interruptor del asiento.

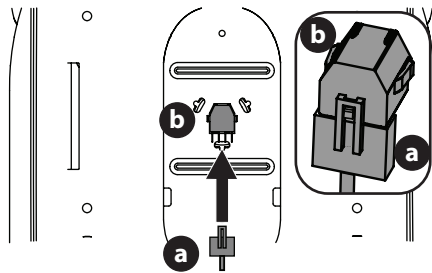


Figura 8

#### AJUSTAR EL ASIENTO DESDE LA POSICIÓN DE ENVÍO (SI FUERA NECESARIO)

- Retire y deseche el material de embalaje, según corresponda.
- Retire los dos tornillos (uno derecho, uno izquierdo) que aseguran el asiento en posición de envío (Figura 9).

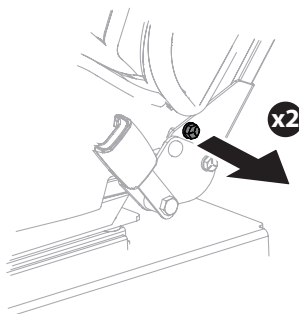


Figura 9

3. Pivote el asiento hacia adelante en la posición de operación (Figura 10).

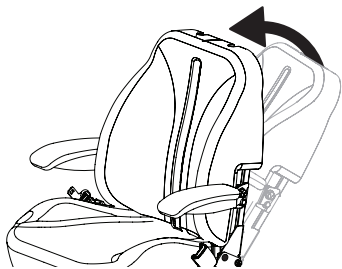


Figura 10

4. Asegúralo con dos tornillos (uno del lado derecho, otro del lado izquierdo) retirados en el paso 2 (Figura 11).

**NOTA:** tornillos de torsión a 68-102 pulgadas-libras (8-12 N-m).

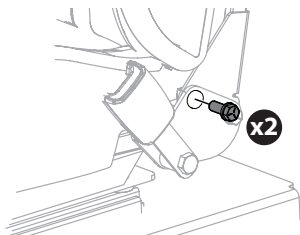


Figura 11

## Instalación del volante (si es necesario)

**¡IMPORTANTE!** No utilice herramientas de impacto para instalar o extraer el volante.

1. Extraiga los elementos de herraje para fijar el volante (a) que están debajo de la tapa del volante (b). Extraiga la cubierta con cuidado insertando un destornillador plano pequeño dentro de una de las tres ubicaciones de ajuste a presión, al tiempo que lentamente apalanca la tapa del volante (b) para extraer los herrajes (Figura 12).

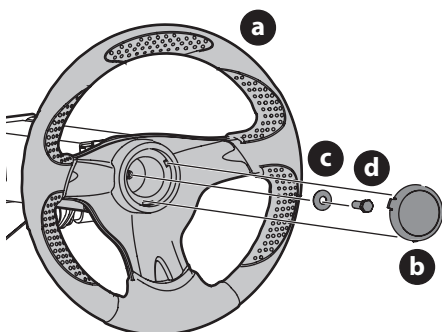


Figura 12

2. Con las ruedas de la máquina ubicadas rectas hacia delante, coloque el volante (a) sobre el eje de dirección (Figura 12).

3. Coloque la arandela Belleville (c) con el lado cóncavo hacia adentro por encima del volante y ajústela con el tornillo de bloqueo hexagonal (d) (Figura 12).
4. Coloque la cubierta del volante (b) sobre el centro del volante (a), alinee los tres broches de presión con las lengüetas del volante y empuje hacia abajo hasta que haga "clic" en su lugar (Figura 12).
5. Con el ajuste adecuado de la columna de la dirección y el asiento se producirá lo siguiente (para reajustar el asiento, consulte Ajuste del asiento):
  - a. En la posición neutral, con las manos sobre el volante:
    - Los brazos del operador deben estar relajados y en posición aproximadamente vertical.
    - Los antebrazos del operador deben estar en posición aproximadamente horizontal.
    - La espalda del operador debe estar en contacto con el respaldo del asiento.
    - La columna de dirección no debe estar en contacto con las piernas del operador.
6. Compruebe los resultados de cualquier ajuste de las condiciones arriba descritas. Repita cualquier procedimiento de ajuste que sea necesario hasta que se cumplan todas las condiciones.

## Columna del volante

### INSTALACIÓN DEL CILINDRO DE CIERRE BASCULANTE (SI ES NECESARIO)

1. Extraiga los herrajes de la bolsa manual.
2. Siéntese en el asiento del operador.
3. Con una mano, levante la columna del volante a una posición elevada.
4. Mientras sostiene la columna del volante en posición elevada, utilice la otra mano para elevar el cilindro de cierre basculante, alineando los agujeros en la parte superior del cilindro con los agujeros en las placas de montaje del cilindro en la parte inferior de la columna del volante (Figura 13).

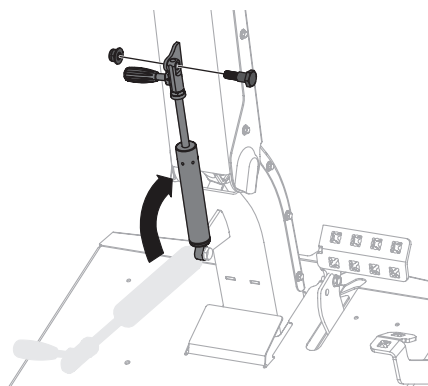


Figura 13

- Trabajando de derecha a izquierda, instale el tornillo con reborde a través de los agujeros alineados en el paso 4 y asegúrelos con las tuercas de seguridad con brida hexagonal. Ajuste los tornillos con reborde a 120-144 pulgadas-libras (14-16 N-m) (Figura 13 en la página 46).

## Ajuste del volante

- Para inclinar la columna del volante (a) hacia delante, levante la palanca de ajuste de la columna del volante de dirección (b), coloque la columna del volante (a) en la posición deseada y luego suelte la palanca de ajuste de la columna del volante de dirección (b) para sujetar la columna del volante de dirección en su lugar (Figura 14).

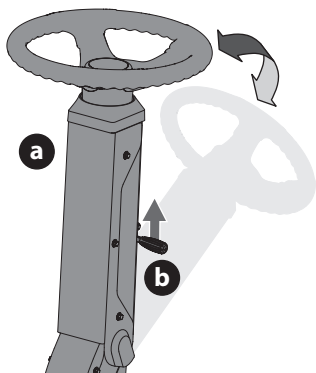


Figura 14

**NOTA:** cuando se levanta la palanca de ajuste de la columna de dirección, la columna del volante de dirección comenzará a subir. Aplique presión hacia abajo en el volante para bajar la columna del volante de dirección, si es necesario.

## Baje el deflector del canal de la plataforma

### ⚠ ADVERTENCIA

Nunca opere la plataforma de corte sin el deflector del canal instalado y en posición baja.

- El canal se envía adjunto y con un soporte que lo mantiene en posición vertical. El soporte debe retirarse antes de operar el tractor (Figura 15).

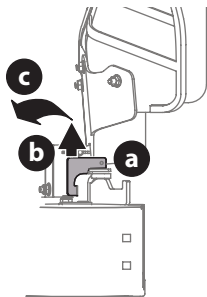


Figura 15

- Sosteniendo el deflector del canal completamente hacia arriba, retire el soporte (Figura 15):
  - Sujete el soporte por detrás del deflector en la parte superior de la plataforma.
  - Levante ligeramente para liberar el soporte de la muesca.
  - Tire hacia atrás para quitar completamente el soporte.

## Ajuste de las ruedas de calibración delanteras

**NOTA:** las ruedas de la plataforma constituyen un mecanismo para el cuidado del césped y no fueron diseñadas para soportar el peso de la plataforma de corte.

- Mueva el tractor a una superficie nivelada, preferentemente pavimentada.
- Controle la presión de los neumáticos, ajuste si es necesario. Consulte la pared lateral de los neumáticos para averiguar las presiones de inflado adecuadas.
- Asegúrese de que la plataforma esté nivelada de un lado a otro, y adecuadamente inclinada. Consulte información e instrucciones sobre nivelado de la plataforma en la sección Cuidado del producto.
- Coloque la palanca de elevación de la plataforma en la posición deseada de altura de corte.
- Controle si las ruedas están en contacto con la superficie de abajo o si hay una separación excesiva.

**NOTA:** las ruedas de la plataforma deben tener entre 1/4 pulgada (6.35 mm) y 1/2 pulgada (12.7 mm) de separación del suelo.

- Retire la tuerca de seguridad (a) que fija una de las ruedas de calibración delanteras a la plataforma. Quite el tornillo con reborde (b), el separador tubular (c) y el espaciador con reborde (e) para quitar la rueda (d) (Figura 16).

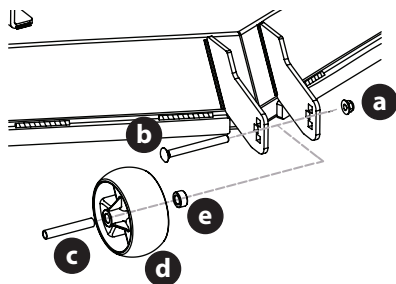


Figura 16

- Alinee la rueda de calibración con el espaciador tubular por el centro, y el espaciador con reborde sobre el cubo de lado más corto de la rueda de calibración, y posicione el montaje dentro de los soportes a la altura deseada.

**NOTA:** deje una separación de 1/4-1/2 pulgada (6.35-12.7 mm) entre el suelo y la rueda de calibración.

8. Inserte el tornillo con reborde en el orificio de posicionamiento elegido que está en el soporte de la rueda de calibración delantera.

**NOTA:** en las ruedas de calibración de la plataforma del lado izquierdo y lado derecho, el tornillo con reborde debe instalarse desde el exterior del tractor hacia adentro, por el orificio cuadrado que está sobre el soporte. En las ruedas de calibración centrales de la plataforma (si se incluyen), el lado del tornillo con reborde del montaje puede instalarse desde cualquier dirección (Figura 17).

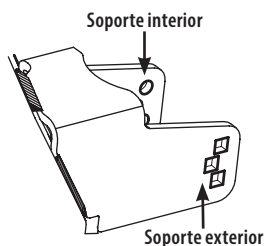


Figura 17

9. Asegure con la turca de seguridad previamente quitada.

## ⚠ ADVERTENCIA

**ADVERTENCIA DE LA PROPOSICIÓN 65 DE CALIFORNIA:** Los contactos, bornes y accesorios afines de las baterías contienen plomo y compuestos de plomo, sustancias químicas que según lo establecido por el Estado de California causan cáncer y problemas reproductivos. Lávese las manos después de estar en contacto con estos componentes.

## ⚠ ADVERTENCIA

En caso de que se produzca una salpicadura accidental de ácido en los ojos o la piel, enjuague el área afectada inmediatamente con agua limpia fría. Consulte a un médico inmediatamente.

Si el ácido salpica la ropa, en primer lugar dilúyalo con agua limpia, luego neutralícelo con una solución de agua/amoniaco o bicarbonato/agua.

**NUNCA** conecte (o desconecte) las abrazaderas del cargador de la batería a la batería si el cargador está encendido, ya que puede causar chispas.

Mantenga todas las fuentes de ignición (cigarrillos, cerillas, encendedores) alejadas de la batería. El gas generado durante la carga puede ser combustible.

Como precaución adicional, cargue la batería únicamente en un área bien ventilada.

Siempre proteja sus ojos y su piel y vestimenta cuando trabaje cerca de baterías.

Las baterías contienen ácido sulfúrico y pueden producir gases explosivos. Tenga sumo cuidado cuando manipule baterías. Mantenga las baterías lejos del alcance de los niños.

La batería puede generar riesgo de incendio o quemadura química si se la usa incorrectamente. NO abra, desensamble, sobrecaliente o incinere la batería.

## ⚠ PRECAUCIÓN

Cuando coloque los cables de la batería, conecte siempre primero el cable POSITIVO (rojo) a su borne, y a continuación el cable NEGATIVO (negro).

**NOTA:** el borne positivo de la batería está marcado como Pos. [+]. El borne negativo de la batería está marcado como Neg. (-).

### Conexión de los cables de la batería

## ⚠ ADVERTENCIA

Siempre conecte el conductor positivo a la batería antes de conectar el conductor negativo. Esto evita la generación de chispas o posibles lesiones producidas por un cortocircuito eléctrico causado por el contacto del cuerpo del tractor con las herramientas que se usan para conectar los cables.

Por razones relacionadas con el embarque, la fábrica puede dejar los dos cables de la batería desconectados de los bornes. Para conectar los cables de la batería, proceda de la siguiente manera:

**NOTA:** El mazo de cables debería colocarse sobre la parte superior de la barra de sujeción de batería. De no ser así, el mazo de cables podría resultar dañado (Figura 21 en la página 50).



## MODELOS CON BATERÍA DE ÁCIDO-PLOMO

1. Retire la cubierta plástica, si está presente, del borne positivo de la batería. Conecte el cable rojo al borne positivo de la batería [+] utilizando el perno (a) y la tuerca hexagonal (b) (Figura 18).

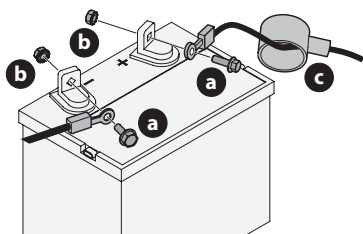


Figura 18

2. Coloque el capuchón de goma rojo (c) sobre el borne positivo de la batería [+] para protegerlo contra la corrosión (Figura 18).
3. Retire la cubierta plástica, si está presente, del borne negativo de la batería y conecte el cable negro al borne negativo de la batería [-] utilizando el perno (a) y la tuerca hexagonal (b) (Figura 18).

**NOTA:** si la batería se pone en funcionamiento después de la fecha indicada en su parte superior o al costado de la misma, cárguela siguiendo las instrucciones de la sección Cuidado del producto de este manual antes de operar el tractor.

## MODELOS CON BATERÍA AGM

1. Extraiga los tornillos hexagonales (a) y las tuercas cuadradas (b) situados en el extremo del arnés de cables o en la bolsa que acompaña a este manual. Guarde los herrajes para uso posterior (Figura 19).

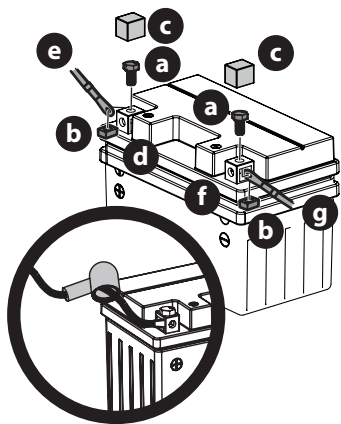


Figura 19

2. Retire la cubierta plástica (c), si está presente, del borne positivo de la batería (d) y una el cable rojo (e) al borne positivo de la batería (d) utilizando uno de los tornillos hexagonales (a) y las tuercas cuadradas (b) que se extrajeron en el paso 1. Use un destornillador Phillips (Figura 19).
3. Coloque el capuchón de caucho rojo por encima del borne positivo de la batería para protegerlo contra la corrosión (Figura 19 inserto).
4. Retire la cubierta plástica (c), si está presente, del borne negativo de la batería (f) y una el cable negro (g) al borne negativo de la batería (f) utilizando el tornillo hexagonal restante (a) y la tuerca cuadrada (b) (Figura 19).

**NOTA:** si la batería se pone en funcionamiento después de la fecha indicada en su parte superior o al costado de la misma, cárguela siguiendo las instrucciones de la sección Cuidado del producto de este manual antes de operar el tractor.

## MANTENIMIENTO DE LA BATERÍA

- Algunas baterías se llenan de ácido de batería y luego se sellan en la fábrica. Sin embargo, para asegurar un ciclo de vida adecuado es necesario realizar cierto mantenimiento, aún en las baterías 'sin mantenimiento.'
- Rocíe los bornes y el cable expuesto con un sellador de bornes de batería, o recubra los bornes con una capa delgada de grasa o vaselina para protegerlos contra la corrosión.
- Siempre mantenga limpios y libres de corrosión los cables y los bornes de la batería.
- Algunos modelos vienen equipados con una batería que contiene un electrolito líquido. Manipule la batería con cuidado y evite inclinarla para evitar fugas.

## ALMACENAMIENTO DE LA BATERÍA

- Cuando el tractor se guarda durante períodos prolongados, desconecte el cable negativo de la batería. No es necesario retirar la batería.
- Todas las baterías se descargan durante el almacenamiento. Mantenga el exterior de la batería limpio, especialmente la parte superior. Una batería sucia se descarga con mayor rapidez.
- La batería debe guardarse con carga completa. Una batería descargada se puede congelar más pronto que una batería cargada. Una batería con carga completa se guarda por más tiempo en temperaturas frías que en temperaturas altas.
- Vuelva a cargar la batería antes de volver a ponerla en servicio. Aun cuando el tractor pueda arrancar, el sistema de carga del motor tal vez no recargue totalmente la batería.

## Retiro de la batería

### ⚠ ADVERTENCIA

Los contactos, bornes y accesorios afines de las baterías contienen plomo y compuestos de plomo. Lávese las manos después de estar en contacto con estos componentes.

La batería está ubicada debajo del bastidor del asiento. Para retirar la batería:

### MODELOS CON BATERÍA DE ÁCIDO-PLOMO

1. Retire el tornillo de cabeza hexagonal y la tuerca hexagonal que fijan el conductor negativo negro de la batería al borne negativo de la batería (marcado 'NEG' [-]). Aleje el cable del terminal negativo de la batería.
2. Retire el tornillo de cabeza hexagonal y la tuerca hexagonal que fijan el conductor positivo rojo de la batería al borne positivo de la batería (marcado 'POS' [+]).
3. Extraiga el tornillo de arandela hexagonal (a) que sujeta el soporte de sujeción de la batería al bastidor (b). Luego levante el soporte de sujeción de la batería (b) para liberar la batería (Figura 20).

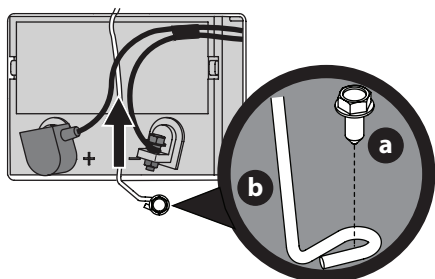


Figura 20

4. Levante con cuidado la batería para sacarla del tractor.
5. Instale la batería repitiendo los pasos anteriores en orden inverso.

### MODELOS CON BATERÍA AGM

1. Retire el tornillo de cabeza hexagonal y la tuerca que fijan el conductor negativo negro de la batería al borne negativo de la batería (marcado 'NEG' [-]). Aleje el cable del contacto negativo de la batería.
2. Retire el tornillo de cabeza hexagonal y la tuerca que fijan el conductor positivo rojo de la batería al contacto positivo de la batería (marcado 'POS' [+]).
3. Extraiga el tornillo de arandela hexagonal (a) que sujeta el soporte de sujeción de la batería al bastidor (b). Luego levante el soporte de sujeción de la batería (b) para liberar la batería (Figura 21).

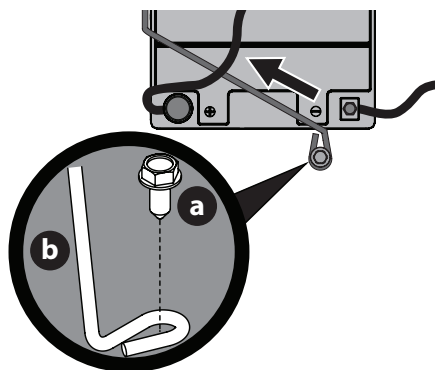


Figura 21

4. Levante con cuidado la batería para sacarla del tractor.
5. Instale la batería repitiendo los pasos anteriores en orden inverso.

### Carga de la batería

Si el tractor ha estado guardado durante un tiempo, pruebe la batería y, si es necesario, recárguela.

### MODELOS CON BATERÍA DE ÁCIDO-PLOMO

- Una lectura del voltímetro o del comprobador de carga de 12,4 voltios (DC) o menos a través de los terminales de la batería indica que la batería necesita ser cargada.
- Debe utilizarse un cargador de batería de ácido-plomo. La tasa recomendada de carga es 4A/14.7V.
- Si su cargador de batería es automático, cargue la batería hasta que el cargador indique que se ha completado la carga. Si el cargador no es automático, cargue durante ocho (8) horas como mínimo.

### MODELOS CON BATERÍA AGM

- Debe utilizarse un cargador de batería AGM. La tasa recomendada de carga es 1.1A/14.8V.

**¡¡IMPORTANTE!** NO use un cargador para automóviles.

- Si su cargador de batería es automático, cargue la batería hasta que el cargador indique que se ha completado la carga. Si el cargador no es automático, cargue durante ocho (8) horas como mínimo.

### Operando el pestillo del asiento

1. Coloque los pedales de transmisión en posición neutra y ponga el freno de estacionamiento.

2. Localice el pestillo del asiento detrás del asiento.
3. Presione hacia abajo las pestañas delanteras para soltar el pestillo del asiento.
4. Gire todo el conjunto del asiento hacia arriba (Figura 22).

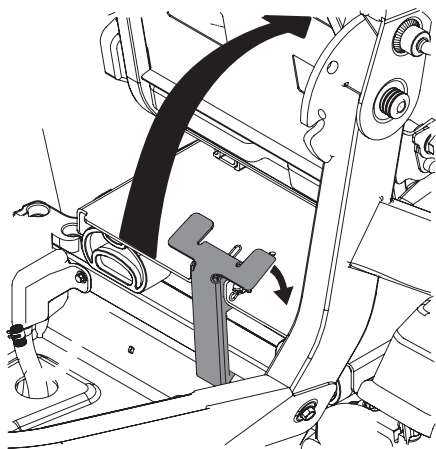


Figura 22

## Ajuste del mecanismo de suspensión mecánica (solo los modelos ZTXS6)

El mecanismo de suspensión mecánica (si está equipado) incorpora controles de ajuste de peso / marcha para operadores en el rango de peso de 125 a 275 lb (57-124 kg). Gire la perilla en la parte delantera del asiento en sentido horario para aumentar la capacidad de peso y en sentido antihorario para disminuir (Figura 24).

**NOTA:** la base del asiento debe estar asegurada por el pestillo; de lo contrario, el conjunto del asiento podría inclinarse hacia adelante. El sensor de presencia del operador debe estar conectado al arnés de cableado eléctrico.



Figura 24

## Ajuste del asiento

1. Para ajustar la posición del asiento, empuje la palanca de ajuste del asiento hacia la izquierda y manténgala en esa posición.
2. Deslice el asiento hacia adelante o atrás hasta la posición deseada.
3. Suelte la palanca de ajuste. Asegúrese de que el asiento esté fijo en su posición antes de operar el tractor (Figura 23).

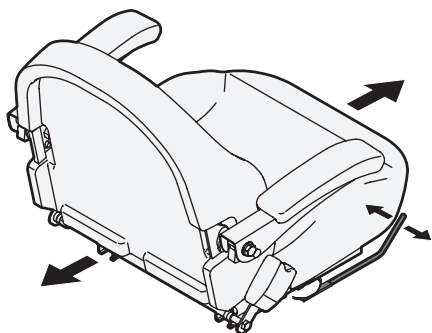


Figura 23

\*Si se incluye

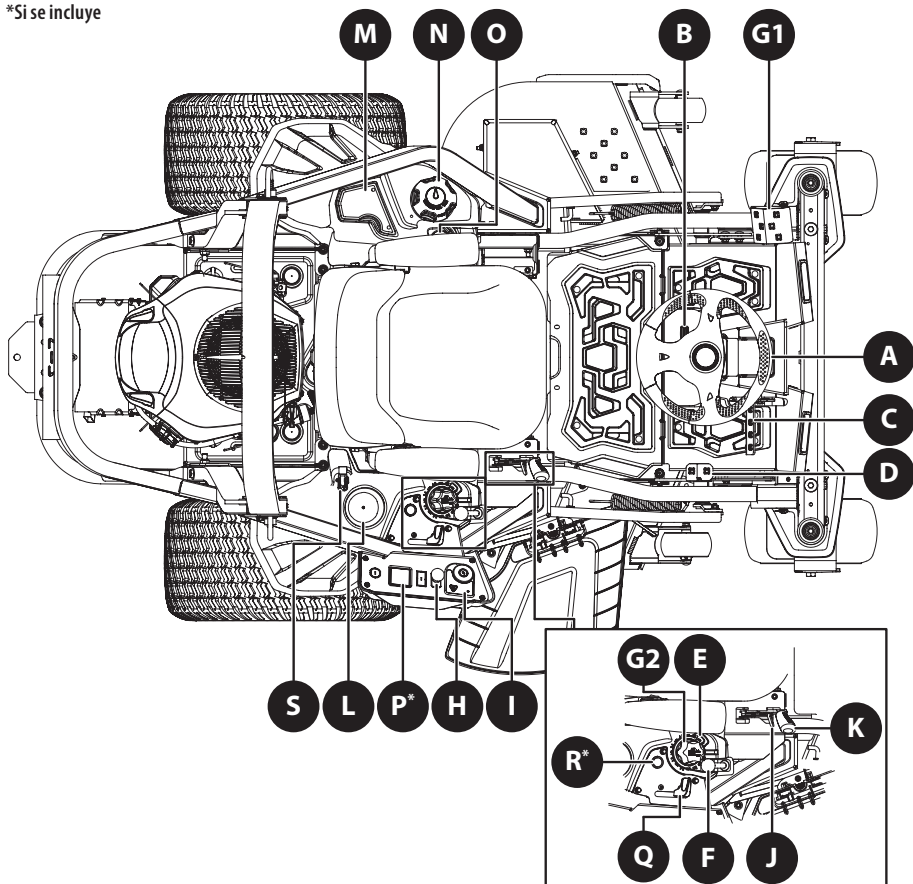


Figura 25

**NOTA:** este manual de operación corresponde a varios modelos. Las características del tractor pueden variar según los modelos. No todas las características que se incluyen en este manual se aplican a todos los modelos de tractor y la máquina que se ilustra aquí puede diferir de la suya.

**NOTA:** todas las referencias que contiene este manual sobre los lados derecho o izquierdo y trasero o delantero del tractor se hacen siempre desde la posición de operación. Las excepciones, si las hubiere, serán especificadas.

## A. VOLANTE

El volante se utiliza para controlar la dirección del tractor.

## B. PALANCA DE AJUSTE DE LA COLUMNA DEL VOLANTE

La palanca de ajuste de la columna del volante está ubicada a la izquierda de la columna del volante. Para ajustar la columna, tire hacia arriba de la palanca de ajuste de la columna del volante y mueva la columna del volante hasta la posición deseada. Suelte la palanca de ajuste de la columna del volante para que la columna del volante quede fija en la posición deseada.



## C. PEDAL DE MARCHA ADELANTE

El pedal de avance está situado al lado derecho del tractor, a la derecha de la columna del volante. Presione el pedal de marcha adelante hacia adelante para que el tractor se mueva en esa dirección. La velocidad absoluta también se controla con el pedal de marcha adelante. Cuanto más se presione el pedal hacia adelante, más rápido se moverá el tractor. El pedal volverá a su posición neutral original/cuando se suelte.



## D. PEDAL DE RETROCESO

El pedal de marcha atrás está situado del lado derecho del tractor, sobre el estribo, más cerca del carril del bastidor. La velocidad absoluta también se controla con el pedal de retroceso. Cuanto más se presione el pedal hacia abajo, más rápido se moverá el tractor. El pedal volverá a su posición neutral original/cuando se suelte.

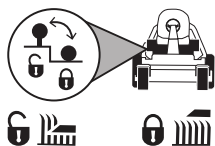


## E. POSICIONAMIENTO DE LA ALTURA DE LA PLATAFORMA

Cada rotación representa un cambio de 1/4" (6.35 mm) en la altura de la plataforma. Las posiciones van de 1" (2.5 cm) a 4-3/4" (12 cm) en el punto más alto.

## F. CONTROL DE TRABA DE TRANSPORTE DE LA PLATAFORMA

La manija de elevación de la plataforma se usa para trabar la plataforma por arriba de su valor de corte más alto en el modo transporte. Para engranar el control de traba de



transporte de la plataforma, presione el pedal de elevación de la plataforma y mueva la perilla a su posición trasera. Para desengranar la traba de transporte y colocar la plataforma en su altura de corte designada, presione el pedal de elevación de la plataforma y mueva la perilla a su posición delantera.

## G. ELEVACIÓN DE LA PLATAFORMA

- 1. Pedal de elevación de la plataforma** - El pedal de elevación de la plataforma está ubicado en el vértice delantero izquierda de la plataforma. El pedal se usa junto con la perilla de elevación de la plataforma para subir y bajar la plataforma de corte. Oprima hacia adelante el pedal de elevación de la plataforma, gire la perilla de elevación de la plataforma hasta la altura deseada y suelte el pedal de elevación de la plataforma.

- 2. Perilla de elevación de la plataforma** - La perilla de elevación de la plataforma se usa junto con el pedal de elevación de la plataforma para subir y bajar la plataforma de corte. Oprima hacia adelante el pedal de elevación de la plataforma, gire la perilla de elevación de la plataforma hasta la altura deseada y suelte el pedal de elevación de la plataforma.

## H. TOMA DE TUERZA (PTO)

El interruptor de la PTO hace funcionar el embrague de la PTO eléctrica montado en la base del cigüeñal del motor. Tire de la perilla del interruptor hacia arriba para enganchar el embrague de la toma de fuerza (PTO), o empuje la perilla hacia abajo para desactivar el embrague.



Al arrancar el motor, el interruptor de la toma de fuerza (PTO) debe estar en posición "OFF" (Desactivado).

## I. INTERRUPTOR DE ENCENDIDO

### ⚠ ADVERTENCIA

**Nunca deje una máquina en funcionamiento sin vigilancia. Siempre desconecte la toma de fuerza (PTO), ponga el freno de mano, detenga la máquina y retire la llave para evitar la operación no autorizada.**

El interruptor de encendido tiene tres posiciones:

**STOP** (parada): Se apagan el motor y el sistema eléctrico.

**RUN** (funcionamiento): Se activa el sistema eléctrico del tractor cortacésped.

**START** (arranque): El motor de arranque enciende el motor. Suelte la llave inmediatamente apenas arranque el motor.

**NOTA:** para evitar el arranque accidental y/o la descarga de la batería, quite la llave del interruptor de encendido cuando el tractor no se encuentra en uso.

## J. PALANCA DE DERIVACIÓN DE LA TRANSMISIÓN

La palanca de derivación de la transmisión está situada a la derecha del asiento del operador, junto a la palanca de freno de mano. Cuando se engancha, la varilla abre una derivación dentro de las transmisiones hidrostáticas, lo cual permite empujar el tractor a mano a lo largo de distancias cortas. Consulte la sección Configuración para ver instrucciones adicionales.



### ⚠ PRECAUCIÓN

**Nunca remolque su tractor. Si se remolca el tractor con las ruedas traseras apoyadas en el suelo se pueden causar daños graves a las transmisiones.**

## K. PALANCA DE FRENO DE MANO

La palanca de freno de mano está situada a la derecha del asiento del operador, junto a la palanca de derivación de la transmisión. Se usa para poner el freno de mano cuando el tractor está inactivo. Consulte la sección Conducción del tractor de este manual para ver instrucciones detalladas sobre el freno de mano.



**NOTA:** si el operador abandona el asiento y deja el motor en funcionamiento, deberá colocar el freno de mano, o el motor se apagará de forma automática.

## L. PORTAVASOS

El portavasos está ubicado en la parte superior de la consola.

## M. BANDEJA DE ALMACENAMIENTO

La bandeja de almacenamiento se encuentra a la izquierda del asiento del operador.

## N. TAPÓN DEL DEPÓSITO DE COMBUSTIBLE

Gire el tapón en el sentido contrario a las agujas del reloj y tire hacia afuera para sacarlo. El tapón del combustible está amarrado al tractor para impedir que se pierda. No intente retirar el tapón del tractor. Llene el tanque hasta 1/2 pulgada (12.7 mm) por debajo de la parte inferior del cuello de llenado, dejando un poco de espacio en el tanque para la expansión del combustible. No llene en exceso el depósito de combustible.

Empuje el tapón hacia abajo sobre el cuello de llenado del depósito de combustible y gírelo al menos dos clics en el sentido de las agujas del reloj para ajustarlo. Siempre vuelva a colocar el tapón del depósito de combustible bien ajustado después de quitarlo.

### ⚠ ADVERTENCIA

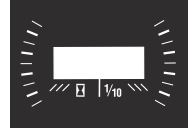
Nunca llene el depósito de combustible si el motor está en funcionamiento. Si el motor está caliente por haber funcionado hasta hace poco, déjelo enfriar al menos cinco minutos antes de volver a cargar combustible. La gasolina es muy inflamable y podría salpicar el motor y causar un incendio.


## O. INDICADOR DE COMBUSTIBLE

El indicador de combustible se encuentra a la izquierda del asiento e indica el nivel de combustible que hay en el depósito.

## P. LCD AVISADOR DE SERVICIO Y MEDIDOR HORARIO (SI SE INCLUYE)

Medidor horario y el avisador de revisión LCD le recuerda al operador los intervalos de mantenimiento para el cambio de aceite del motor, el servicio del filtro de aire, la baja presión del aceite del motor y poca batería. Cuando la llave se rota fuera de la posición STOP (detención), pero no está en la posición START (arranque), el medidor horario y el avisador de revisión LCD mostrará brevemente la tensión de la batería, seguido de las horas acumuladas del tractor.



**NOTA:** cuando la llave de encendido está fuera de la posición STOP (detención), el símbolo del reloj de arena  se enciende/parpadea para indicar que está registrando las horas de funcionamiento del tractor, independientemente de que el motor esté encendido o no.

### Cambio de aceite

La pantalla LCD alternará las letras "CHG" (cambiar), seguidas de las letras "OIL" (aceite), seguidas de las letras "SOON" (pronto), y luego finalmente seguidas por el tiempo acumulado del medidor. "CHG/OIL/SOON/TIME" se alternarán en la pantalla durante 7 minutos después de que el medidor llegue a 50 horas. Este intervalo del avisador de servicio de aceite se producirá cada 50 horas. Antes de que finalice el intervalo, cambie el aceite del motor según se indica en este Manual del operador del motor.

### Poco aceite

**NOTA:** la función de baja presión de aceite solo funciona si el motor tiene un interruptor de presión de aceite.

En la pantalla LCD aparecen alternadas las letras "LO" (nivel bajo) seguidas de las letras "OIL" (aceite), seguidas luego del tiempo acumulado del medidor indicarán que el tractor tiene poca presión de aceite. Esto suele suceder cuando se enciende un motor. El indicador permanecerá activo hasta que el motor genere suficiente presión después de comenzar. Si el indicador permanece encendido cuando el motor está a máxima velocidad y después de que hayan transcurrido unos pocos minutos de funcionamiento, detenga el tractor de inmediato y controle el nivel de aceite del motor según las instrucciones de este Manual del operador del motor. Si el nivel de aceite es correcto y el indicador sigue encendido, comuníquese con un distribuidor de servicio autorizado.

### Poca batería

Al arrancar, se visualiza fugazmente el voltaje de la batería y luego cambia a horas acumuladas. Aparecen las letras "LO" (nivel bajo), seguidas de las letras "BATT" (batería), seguidas luego del tiempo acumulado del medidor. "LO/BATT/TIME" se muestra en la pantalla LCD cuando la tensión cae por debajo de 11.5 voltios. Cuando esto ocurre, significa que se debe cargar la batería o que el sistema de carga del motor no genera suficiente amperaje. Cargue la batería como se indica en la sección Configuración de este manual o haga controlar el sistema de carga por su distribuidor de servicio local.

## Mantenimiento del filtro de aire

En la pantalla LCD aparecen las letras "CLN" (limpiar), seguidas de las letras "AIR" (aire), seguidas por "FILT" (filtro), seguidas luego del tiempo acumulado del medidor. "CLN/AIR/FILT/TIME" se alternarán en la pantalla durante 7 minutos después de que el medidor llegue a 25 horas. En intervalos comunes con el servicio del aceite, aparece el mensaje del aceite primero seguido primero por el mensaje del filtro de aire.

## Q. PALANCA DE CONTROL DEL ACELERADOR/CEBADOR O CONTROL DEL ACELERADOR

**NOTA:** cuando se lo coloca en determinada posición, se mantiene una velocidad de motor uniforme.

### Palanca de control del acelerador (si se incluye)

Empuje la palanca de control del acelerador hacia



adelante para aumentar la velocidad del motor. El tractor está diseñado para que funcione con la palanca de control del acelerador en aceleración máxima FAST (rápido) cuando se conduce el tractor y se engancha la plataforma del tractor. Tire de la palanca de control del acelerador hacia atrás para reducir la velocidad del motor.

### Palanca de control del acelerador/cebador (si se incluye)

Empuje la palanca de control del



acelerador/cebador hacia adelante para aumentar la velocidad del motor. El tractor está diseñado para que funcione con la palanca de control del acelerador/cebador en aceleración máxima FAST (rápido) cuando se conduce el tractor y se engancha la plataforma de la cortadora de césped. Tire de la palanca de control del acelerador/cebador hacia atrás para reducir la velocidad del motor. Cuando arranque el motor, empuje la palanca de control totalmente hacia adelante a la posición "CHOKE" (cebador). Después de arrancar y calentar el motor, mueva la manija de control hacia atrás hasta que sienta que pasa el bloqueador del cebador. El objetivo del acelerador no es controlar la velocidad de la unidad, sino que debe permanecer a alta velocidad mientras se operan las cuchillas.

## R. CONTROL DEL CEBADOR (SI SE INCLUYE)

El control del cebador determina la posición del cebador del motor. Tire de la perilla hacia afuera para cebar el motor; empuje la perilla hacia adentro para abrir el cebador.



## S. HERRAMIENTA PARA USOS MÚLTIPLES

La herramienta para usos múltiples está ubicada en la parte posterior de la consola derecha. La herramienta para usos múltiples se puede utilizar como bloqueo de elevación de la plataforma, para extraer el perno del estribo, y se puede utilizar como herramienta de extracción con el extremo de la toma de 1/2 pulgada. Consulte la sección Cuidado del producto para obtener más información sobre el uso de la herramienta para usos múltiples.

## FAROS (NO SE MUESTRAN)

Los faros se encuentran en el frente del bastidor. Los faros se encienden (ON) cada vez que se gira la llave de encendido sacándola de la posición STOP (detención) y se apagan (OFF) cuando la llave de encendido se mueve a la posición STOP (detención).

## PALANCA DE AJUSTE DEL ASIENTO (NO SE MUESTRA)

La palanca de ajuste del asiento está ubicada debajo del asiento. La palanca de ajuste del asiento permite el ajuste del asiento del operador hacia adelante o hacia atrás. Consulte la sección Configuración para ver instrucciones sobre el ajuste de la posición del asiento.

## FUNCIONAMIENTO

### Antes de hacer funcionar el tractor

- Antes de la operación, consulte la tabla del Programa de mantenimiento que aparece en este manual para los servicios programados habitualmente.
- Se certifica que este motor funciona únicamente con gasolina normal sin plomo, nueva y limpia. Llene únicamente con gasolina sin plomo, nueva y limpia, en un surtidor que indique un octanaje igual a 87 o más.
- No use gasolina que haya quedado de la temporada anterior, para minimizar la formación de depósitos de goma en el sistema de combustible.
- El gasohol (hasta 10% de alcohol etílico, 90% de gasolina sin plomo por volumen) es un combustible aprobado. No se aprueba el uso de otras mezclas de gasolina/alcohol.
- El éter metílico terciario-butílico (MTBE) y las mezclas de gasolina sin plomo (hasta un máximo de 15% de MTBE por volumen) son combustibles aprobados. No se aprueba el uso de otras mezclas de gasolina/éter.

## Sistema de enclavamiento de seguridad

### ⚠ ADVERTENCIA

**NO opere el tractor si el sistema de enclavamiento de seguridad funciona mal. Este sistema fue diseñado para brindarle seguridad y protección.**

Este tractor está equipado con un sistema de enclavamiento de seguridad para protección del operador. Si el sistema de enclavamiento funciona mal, no se debe hacer funcionar el tractor. Comuníquese con un distribuidor de servicio autorizado.

- El sistema de enclavamiento de seguridad impide que el motor arranque o se encienda a menos que esté colocado el freno de mano, y la PTO esté DESACTIVADA en la posición de apagado (OFF).
- Si el operador abandona su asiento antes de poner el freno de mano, el motor se APAGARÁ automáticamente.
- El motor se apagará automáticamente si el operador abandona el asiento del tractor con el interruptor de la palanca de la toma de fuerza (PTO) en la posición de activación (ON), independientemente de si el freno de mano está puesto o no.

## CONTROL DE LOS CIRCUITOS DEL ENCLAVAMIENTO DE SEGURIDAD

Controle periódicamente los circuitos del enclavamiento de seguridad para estar seguro de que funcionan adecuadamente. Si algún circuito de seguridad no funciona según el diseño, póngase en contacto con el distribuidor de servicio para que inspeccione el tractor. NO use el tractor si algún circuito de seguridad no está funcionando adecuadamente. Para controlar los circuitos de seguridad proceda de la siguiente manera:

1. Tire de la PTO hacia arriba, hasta la posición de activación (ON). Gire el interruptor de encendido a la posición START (arranque) momentáneamente; el motor no debería intentar arrancar.
2. Con el tractor en marcha, mueva las dos palancas de control de la transmisión totalmente hacia adentro hasta la posición de punto muerto; luego levántese del asiento del operador. El motor debe dejar de funcionar.
3. Con los dos pedales de accionamiento en posición neutra y el freno de estacionamiento accionado, conecte el PTO. Levante hacia arriba desde el asiento del operador; el motor debería detenerse.

## Encendido del Motor

### ⚠ ADVERTENCIA

**Esta unidad está equipada con un sistema de bloqueo de seguridad para protección del operador. No opere el tractor si alguna parte del sistema de bloqueo funciona mal. Controle periódicamente las funciones del sistema de enclavamiento para verificar que funcionen adecuadamente.**

### ⚠ PRECAUCIÓN

**El operador debe estar sentado en el asiento del tractor al arrancar el motor.**

**NOTA:** consulte el manual del operador del motor para ver las instrucciones de llenado de gasolina y aceite.

1. El operador debe estar sentado en el asiento del tractor.
2. Active el freno de mano colocando los pedales de control de la transmisión en punto muerto, empujando la palanca del freno de mano hacia la derecha fuera de la posición “apagado” (a) y tirando de la palanca hacia atrás hasta que se bloquee en la posición “encendido” (b) (Figura 26).

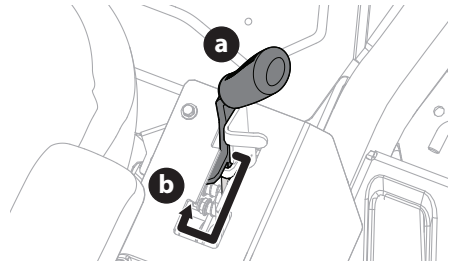


Figura 26

3. Verifique que el interruptor de la potencia de arranque (PTO) se encuentre en posición desenganchada (abajo).
  4. Mueva el control del regulador a distancia media entre las posiciones VELOCIDAD LENTA y VELOCIDAD RÁPIDA.
  5. Mueva el control del cebador a la posición CHOKE (cebador) (si se incluye).
- NOTA:** si el motor está caliente, tal vez no sea necesario cebar el motor.
6. Gire la llave de encendido en el sentido de las agujas del reloj hasta la posición START (encendido). Una vez que arranque el motor, suelte la llave. Volverá a la posición NORMAL MOWING (corte normal).

### ⚠ PRECAUCIÓN

**NO mantenga la llave en la posición START (arranque) durante más de diez segundos por vez. Si lo hace, puede ocasionar daños al arrancador eléctrico del motor.**

7. Cuando se calienta el motor, tire gradualmente de la palanca de control del acelerador/cebador hacia atrás pasando la posición de detención del cebador o, en modelos con un cebador separado, desenganche lentamente el cebador. No use la posición del cebador para enriquecer la mezcla de combustible, a menos que sea necesario para arrancar el motor.
8. Deje que el motor funcione unos cuantos minutos a una aceleración intermedia antes de somerlo a la carga.



9. Observe el LCD avisador de servicio y medidor horario. Si se enciende la luz del indicador de batería o de presión de aceite, detenga el motor inmediatamente. Haga que su distribuidor de servicio autorizado inspeccione el tractor.

## Arranque del motor en clima frío

Al arrancar el motor a temperaturas cercanas o inferiores al punto de congelamiento, asegúrese de que se use aceite de motor de viscosidad correcta y que la batería tenga carga completa. Arranque el motor de la siguiente forma:

1. Asegúrese de que la batería se encuentre en buen estado. Una batería caliente tiene una capacidad de arranque mucho mayor que una batería fría.
2. Use combustible fresco para uso invernal. La gasolina para uso invernal tiene mayor volatilidad a los efectos de mejorar el arranque. No use gasolina que le haya quedado del verano.
3. Siga las instrucciones previas para Arranque del motor.

## Uso de cables de arranque para encender el motor

### ⚠ ADVERTENCIA

Las baterías contienen ácido sulfúrico y producen gases explosivos. Asegúrese de que el área esté bien ventilada, use guantes y protectores de ojos y evite chispas o llamas cerca de la batería.

Si la carga de la batería no es suficiente para dar arranque al motor, vuelva a cargar la batería. Si no dispone de un cargador de batería y debe arrancar el tractor, puede ser necesario usar una batería de urgencia. Conecte la batería de urgencia de la siguiente forma:

1. Conecte el extremo de un cable al borne positivo de la batería del tractor que no funciona; luego conecte el otro extremo de ese cable al borne positivo de la batería de urgencia.
2. Conecte un extremo del otro cable al borne negativo de la batería de urgencia; luego conecte el otro extremo de ese cable al bastidor del tractor que no funciona, a la mayor distancia posible de la batería.
3. Arranque el tractor que no funciona según las instrucciones de arranque normales indicadas más arriba; luego desconecte los cables de puente en orden exactamente inverso al de la conexión.
4. Haga controlar y reparar el sistema eléctrico del tractor lo más pronto que fuere posible, para eliminar la necesidad de usar cables de puente para arrancarlo.

## Detención del motor

1. Coloque el interruptor de la toma de fuerza (PTO) en la posición desactivada.
2. Aplique el freno de mano.
3. Mueva el control del regulador a distancia media entre las posiciones VELOCIDAD LENTA y VELOCIDAD RÁPIDA.

4. Gire la llave de encendido a la posición STOP (parada) y quite la llave del interruptor de encendido.

**NOTA:** siempre quite la llave del interruptor de encendido para evitar el arranque accidental o la descarga de la batería si el equipo queda sin supervisión.

## Conducción del tractor

### ⚠ ADVERTENCIA

Evite los arranques súbitos, los excesos de velocidad y las detenciones intempestivas.

### ⚠ ADVERTENCIA

Los giros bruscos pueden afectar el control del tractor. Conduzca SIEMPRE el tractor lentamente antes de realizar giros bruscos.

1. Ajuste el asiento del operador a la posición más cómoda que le permita operar los controles. Consulte Ajuste del asiento en la sección Configuración.
2. Suelte el freno de mano. Mueva la palanca de control del acelerador/estrangulador a la posición FAST (velocidad rápida).
3. Para conducir hacia ADELANTE, presione lentamente el pedal de marcha adelante (a) hasta alcanzar la velocidad deseada (Figura 27).

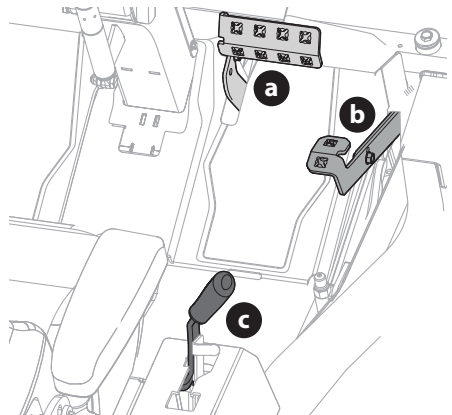


Figura 27

4. Para que el tractor se detenga o ande más despacio, saque el pie del pedal de transmisión marcha adelante (a) o atrás (b). Para bloquear el freno de mano, coloque los pedales de control de la conducción en punto muerto y tire de la palanca del freno de mano (c) hacia atrás hasta que bloquee en la posición de "encendido" (Figura 27).
5. Para conducir marcha atrás, verifique que el área de atrás esté despejada, luego presione lentamente hacia abajo el pedal de transmisión marcha atrás (b) con la parte anterior de la planta (NO con el talón) hasta alcanzar la velocidad deseada (Figura 27).

# OPERACIÓN


## ⚠ PRECAUCIÓN

NO intente cambiar la dirección de desplazamiento mientras el tractor está en movimiento. Siempre lleve el tractor a la detención completa antes de mover el tractor desde la posición de avance a la de marcha atrás o viceversa.

## ⚠ ADVERTENCIA

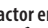
No abandone el asiento del tractor sin colocar primero la perilla de la PTO en la posición desactivada OFF (apagado) y sin poner el freno de mano. Si deja el tractor sin vigilancia, apague el motor y retire la llave.

### Modo de precaución en marcha atrás

La posición MODO DE PRECAUCIÓN EN MARCHA ATRÁS  del módulo de encendido permite operar el tractor marcha atrás con las cuchillas (PTO) acopladas.



**NOTA:** no se recomienda cortar el césped en marcha atrás.

## ⚠ ADVERTENCIA

Tenga mucho cuidado cuando opere el tractor en MODO DE PRECAUCIÓN EN MARCHA ATRÁS . Mire siempre hacia abajo y detrás de usted antes y durante el retroceso. No haga funcionar el tractor cuando haya niños u otras personas cerca. Detenga el tractor inmediatamente si alguien se acerca.

Para usar el MODO DE PRECAUCIÓN DE RETROCESO :

**NOTA:** el operador DEBE estar sentado en el asiento del tractor.

1. Ponga en marcha el motor como se indicó previamente.
2. Gire la llave de la posición CORTE NORMAL  (a) a la posición MODO DE PRECAUCIÓN DE RETROCESO  (b) del módulo de encendido (Figura 28).

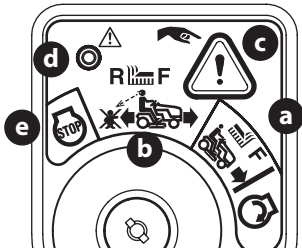








Figura 28

3. Oprima el BOTÓN DE MARCHA ATRÁS  (c) en el ángulo superior derecho del módulo de encendido. La luz indicadora roja (d) que está en el ángulo superior izquierdo del módulo de encendido se mantendrá ENCENDIDA mientras esté activada (Figura 28).
4. Una vez activada (luz indicadora ENCENDIDA), el tractor podrá operar en marcha atrás con las cuchillas de corte (PTO) engranadas.

5. Siempre mire hacia abajo y hacia atrás antes y mientras opera en marcha atrás, para asegurarse de que no haya niños en el área. Luego de volver a desplazarse hacia adelante, vuelva la llave a la posición de CORTE NORMAL  (a) (Figura 28).
6. El MODO DE PRECAUCIÓN DE RETROCESO (b)  permanecerá activado hasta que (Figura 28):
  - a. La llave se coloca ya sea en la posición CORTE NORMAL  (a) o STOP  (e), o bien
  - b. El operador abandone el asiento.

### Detención del tractor

1. Mueva los dos pedales de control de la transmisión a la posición de punto muerto para detener el movimiento del tractor.
2. Empuje la PTO hacia abajo, hasta la posición OFF (apagado).
3. Use la manija/perilla de elevación de la plataforma para levantar la plataforma a su posición más alta.
4. Si va a desmontar el tractor, mueva los pedales de control de conducción a la posición neutral, ponga el freno de estacionamiento, mueva el acelerador a la posición RÁPIDA (FAST), gire la llave a DETENER (STOP)  y retírela del módulo del interruptor de encendido.


## ⚠ ADVERTENCIA


No abandone el asiento del tractor sin colocar primero la perilla de la PTO en la posición desactivada OFF (apagado) y sin poner el freno de mano. Si deja el tractor sin vigilancia, apague el motor y retire la llave.

### Activación de la PTO

Al conectar la PTO se suministra alimentación a la plataforma de corte o a otros accesorios (disponibles por separado). Para activar la PTO:

**NOTA:** durante el periodo de asentamiento inicial de su tractor, para activar la PTO y evitar que el motor se cale, permita que el motor se caliente antes de activar la PTO. El periodo de asentamiento varía según el motor.

1. Mueva el acelerador a la posición FAST  (rápido).
2. Tire del interruptor de la PTO hacia arriba/afuera a la posición de activación (ON).

**NOTA:** cuando haga funcionar el tractor asegúrese de que el acelerador esté siempre en la posición FAST  (rápido). El funcionamiento con el acelerador a menos de máxima velocidad puede acortar la vida útil de la batería y producir un corte de mala calidad.

3. El operador debe permanecer sentado en el tractor en todo momento. Si el operador debe abandonar el asiento sin desactivar la toma de fuerza, se apagará el motor del tractor.

- El embrague de la PTO no funcionará cuando el tractor circule en sentido inverso sin utilizar el modo de precaución en marcha atrás. Consulte la sección Modo de precaución en marcha atrás.
- Para desactivar la PTO, presione el interruptor de la PTO para abajo/adentro a la posición de desactivación (OFF).

## CORTE DE CÉSPED

### ⚠ ADVERTENCIA

Para ayudar a evitar el contacto con las cuchillas o una lesión por algún objeto que sea arrojado, mantenga a las personas que lo observan, a los ayudantes, niños y mascotas alejados al menos 75 pies (23 metros) de la máquina mientras está en funcionamiento. Pare la máquina si alguien ingresa a la zona.

### ⚠ ADVERTENCIA

Asegúrese de que el área donde se va a cortar esté libre de desechos, ramitas, piedras, cables u otros objetos que puedan ser arrojados por las cuchillas rotativas.

### ⚠ ADVERTENCIA

Planifique el patrón de corte, para evitar que la descarga de materiales se dirija hacia caminos, aceras, observadores, etc. Evite además descargar material contra una pared u obstrucción, ya que esto podría hacer que el material descargado rebotara contra el operador.

### ⚠ ADVERTENCIA

Tenga sumo cuidado al atravesar senderos de grava o caminos de acceso. Desactive la PTO y levante la plataforma hasta la posición más alta antes de cruzar.

**NOTA:** no enganche la plataforma de corte cuando esté baja sobre el pasto. Se produce el desgaste prematuro y la posible falla de la correa en "V" y del embrague de la PTO. Antes de enganchar la plataforma de corte, levante totalmente la plataforma o lleve la máquina a un área donde no haya césped.

- Corte de forma transversal a la pendiente, no hacia arriba ni hacia abajo. Si corta el césped en pendiente, comience por la base y desplácese hacia arriba para asegurar que siempre se gire cuesta arriba.
- No corte a alta velocidad absoluta, especialmente si tiene instalado un kit de abono o un colector de césped.
- No corte el césped demasiado corto. El césped corto fomenta el crecimiento de maleza y se pone amarillo rápidamente cuando escasea la lluvia.
- Siempre haga funcionar el tractor con el acelerador en la posición FAST (rápido) mientras corta el césped.
- Al realizar la primera pasada elija un punto del lado opuesto del área a cortar. Siga el punto para mantener una línea recta.

- Mueva el control del acelerador/cebador o el control del acelerador a la posición FAST (rápido) y conecte la PTO.
- Baje la plataforma de corte al valor de altura deseado.
- Empuje el pedal de control de marcha de avance lentamente y de forma pareja hacia adelante para que el tractor avance hacia adelante, y mantenga la orientación del tractor en línea recta hacia el punto de alineación.
- Para obtener los mejores resultados, se recomienda realizar las dos primeras vueltas de corte con la descarga hacia el centro. Después de las dos primeras pasadas, cambie la dirección para arrojar la descarga hacia afuera, para equilibrar el corte. Esto otorgará un mejor aspecto al césped.

**NOTA:** la velocidad del tractor afectará la calidad del corte del césped. Cortar el césped a toda velocidad afectará negativamente en la calidad del corte. Controle la velocidad de avance con los pedales de conducción.

- Su tractor está diseñado para cortar césped residencial normal de una altura no superior a 10 pulgadas (25 cm). No intente cortar césped demasiado crecido, seco (como un pastizal) ni pilas de hojas secas. El césped o las hojas que estén secos pueden entrar en contacto con el escape del motor y/o acumularse en el tractor.
- No intente cortar malezas frondosas o césped sumamente alto. El tractor fue diseñado para cortar el césped, NO para podar malezas.
- Mantenga las cuchillas afiladas y cámbielas cuando se gasten.
- Cuando se acerque al otro extremo de la franja, reduzca la velocidad o deténgase antes de girar. Se recomienda realizar un giro en U a menos que sea necesario realizar un giro de radio cero.
- Alinee la cortadora de césped con un borde de la franja cortada y superponga la pasada aproximadamente 3 pulgadas (7.6 cm).
- Oriente el tractor en cada franja subsiguiente de modo que se alinee con la franja ya cortada.
- Para evitar la formación de surcos o ranuras en el césped, en lo posible varíe la dirección de las franjas de corte aproximadamente 45° en cada corte subsiguiente.

Siempre que detenga el tractor por cualquier razón en un área de césped, haga lo siguiente:

- Aplique el freno de mano.
- Apague el motor y retire la llave.
- Eso permitirá reducir al mínimo la posibilidad de que su césped resulte "quemado" por el escape caliente del motor en funcionamiento.

# CUIDADO DEL PRODUCTO

## PROGRAMA DE MANTENIMIENTO

### ADVERTENCIA

Antes de limpiar, reparar o inspeccionar, compruebe que la(s) cuchilla(s) y todas las piezas móviles se hayan detenido. Apague el motor, retire la llave, desconecte el o los cables de las bujías y el cable negativo de la batería para evitar un arranque involuntario. Para protegerse los ojos, utilice siempre anteojos o antiparras de seguridad durante la operación o mientras realiza ajustes o reparaciones.

Siga el programa de mantenimiento que se presenta a continuación. En esta tabla sólo se describen pautas de revisión.

Consulte el Manual del operador del motor para obtener información sobre las tareas de mantenimiento del motor que se enumeran en la siguiente tabla.

	Antes de cada uso	Después de las primeras 5 horas	Cada 10 horas	Cada 25 horas	Cada 50 horas	Cada 100 horas	Cada 200 horas	Antes de almacenar	Consulte el Manual del Motor
Verifique/limpie los filtros de admisión y los ventiladores de refrigeración del motor #	✓							✓	
Verifique/limpie el colector de escape, tubo del silenciador y los protectores del silenciador #	✓							✓	
Verifique/limpie la parte de arriba y de abajo de la plataforma, debajo y alrededor de las plataformas del husillo y del área de la correa #	✓							✓	
Verifique/limpie alrededor de los fusibles, cableado y mazos de cables #	✓							✓	
Verifique/limpie alrededor de la transmisión, eje y ventiladores #	✓							✓	
Verifique/Agregue/Cambie el líquido de transmisión según sea necesario							✓		
Controle si el filtro de aire tiene piezas sucias, sueltas o dañadas	✓								
Controle el nivel de aceite del motor	✓								
Limpie los bornes de la batería			✓					✓	
Engrase todos los puntos de lubricación			✓					✓	
Revise el filtro de admisión del motor/limpie según sea necesario			✓					✓	
Revise las cuchillas/afile o reemplace según sea necesario			✓					✓	
Verifique la presión de aire de los neumáticos			✓					✓	
Revise/limpie la parte de abajo de la plataforma	✓		✓					✓	

## CUIDADO DEL PRODUCTO

	Antes de cada uso	Después de las primeras 5 horas	Cada 10 horas	Cada 25 horas	Cada 50 horas	Cada 100 horas	Cada 200 horas	Antes de almacenar	Consulte el Manual del Motor
Verifique el sistema de enclavamiento de seguridad			✓					✓	
Inspeccione el hardware de ROPS y el conjunto del cinturón de seguridad			✓					✓	
Verifique el tiempo de detención de las cuchillas			✓					✓	
Inspeccione y lubrique las ruedas de la plataforma				✓				✓	
Inspeccione y lubrique el conjunto de dirección				✓					
Verifique el nivel/inclinación de la plataforma				✓				✓	
Verifique las correas y poleas para ver si están dañadas/ desgastadas					✓				
Verifique que todos los herrajes están en su lugar y asegurados						✓			
Verifique el par de ajuste del perno montaje del motor (ajuste hasta 325-450 pulgadas-libras [37-50 N-m])		✓			✓			✓	✓
Verifique el par de apriete de la tuerca de montaje de la cuchilla (ajuste hasta 70-90 pies-libras [95-122 N-m])		✓			✓			✓	
Verifique el estado y la separación de la bujía de encendido						✓		✓	✓
Cambio del aceite de asentamiento del motor		✓							✓
Cambio el aceite del motor					✓			✓	✓
Verifique el sistema de combustible (circuitos, depósito, tapón, accesorios)		✓			✓			✓	✓
Verifique el amortiguador de chispas		✓			✓			✓	✓
Reemplace el filtro de aceite					✓			✓	✓
Limpie o cambie el filtro de aire					✓				✓
Reemplace el filtro de combustible					✓				✓
Haga controlar y ajustar la holgura de la válvula*									✓

\* -- Solicite a un distribuidor de servicio autorizado que realice este servicio.

# -- Realice esta acción con mayor frecuencia en condiciones de sequía y/o cuando se realice el acolchado.

# CUIDADO DEL PRODUCTO

**NOTA:** este Manual del Operador corresponde a varios modelos. Las características del tractor pueden variar según los modelos. No todas las características que se incluyen en este manual se aplican a todos los modelos de tractor y la máquina que se ilustra aquí puede diferir de la suya.

## CUIDADO DEL TRACTOR POSTERIOR AL FUNCIONAMIENTO

Después de cada vez que se usa el tractor, a fin de asegurar condiciones seguras de funcionamiento, consulte la tabla del Programa de mantenimiento que se presenta en este manual para un cuidado adecuado del tractor.

### ⚠ ADVERTENCIA

Si no se siguen estas recomendaciones, usted u otras personas pueden sufrir lesiones graves, o pueden producirse daños en el tractor.

## LIMPIEZA DEL TRACTOR

### ⚠ ADVERTENCIA

Si el tractor ha estado en funcionamiento recientemente, el motor, el silenciador y las superficies metálicas circundantes estarán muy calientes y pueden causar quemaduras en la piel. Deje que el motor se enfríe durante al menos cinco minutos. Tenga precaución para evitar quemaduras.

El tractor se debe limpiar después de cada uso y bajo ciertas condiciones; es decir, en condiciones secas y/o cuando se haga abono, podría ser necesario realizar limpiezas adicionales.

Una de las mejores maneras de mantener el funcionamiento eficiente de su tractor y reducir el riesgo de incendio es eliminar regularmente la acumulación de desechos del tractor. Siga las recomendaciones a continuación y contacte a su distribuidor autorizado si tiene alguna pregunta.

- Deje que la máquina se enfríe al menos cinco minutos en un área abierta antes de limpiarla.

**NOTA:** no se recomienda el uso de una lavadora de presión ni de una manguera de jardín para limpiar el tractor excepto para limpiar la parte inferior de la plataforma. Puede dañar los componentes eléctricos, los husillos, las poleas, los rodamientos o el motor. El uso de agua acortará la vida útil de la máquina y reducirá su capacidad de servicio.

- Mantenga ambos lados de las ranuras de enfriamiento de la transmisión, el colector de escape, alrededor de los fusibles, todo el cableado y los arneses de cables, el tubo del silenciador, el protector del silenciador, los filtros de admisión del motor y las aletas de refrigeración, etc. libres de residuos de pasto y hojas (Figura 29).

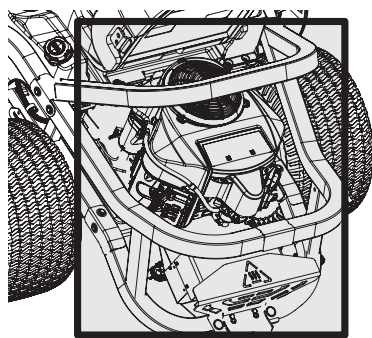


Figura 29

- Limpie la parte superior de la plataforma de corte, debajo de las cubiertas de husillos y del área de correas (Figura 30).

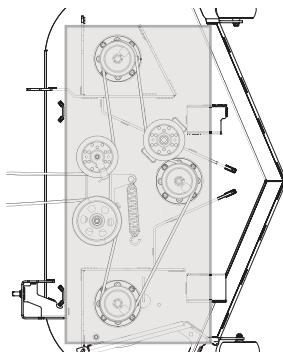
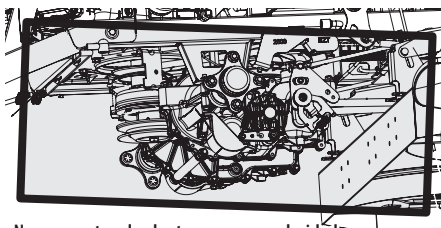


Figura 30

- Limpie alrededor y cerca de la transmisión, eje y área de ventiladores (Figura 31).



No se muestra el volante para mayor claridad

Figura 31

- Se pueden acumular residuos en cualquier parte del tractor, especialmente en superficies horizontales. Puede ser necesario realizar una limpieza adicional cuando corte césped en condiciones secas o cuando haga abono.
- Las fugas y los derrames de combustible o de aceite y la lubricación excesiva también pueden convertirse en lugares de acumulación de residuos. La reparación de las fugas y la limpieza inmediata de los derrames de aceite o de combustible pueden ayudar a reducir los riesgos de incendio.

# CUIDADO DEL PRODUCTO

- Además de limpiar el tractor antes de utilizarlo y antes de guardarlo, no intente cortar césped demasiado crecido (de 10 pulgadas [25.4 cm] o más de altura), seco (como un pastizal) ni pilas de hojas secas. El césped o las hojas secas pueden entrar en contacto con el escape del motor y/o acumularse en la plataforma de corte presentando un potencial peligro de incendio.

## Almacenamiento del tractor

- Deje que la máquina se enfríe en un lugar abierto al menos cinco minutos antes de almacenarla.
- No estacione el tractor cerca de cualquier material inflamable (madera, ropa o productos químicos) o de llamas abiertas o cualquier otra fuente de ignición (hornos, calentadores de agua u otros tipos de calefactores).
- Quite todos los materiales combustibles del tractor antes de guardarlo. Vacíe las cajas de carga y los colectores o contenedores de césped.
- Si el tractor está equipado con una válvula de corte de combustible, interrumpa siempre el flujo de combustible cuando almacene o transporte el tractor.
- Verifique el sistema de combustible (circuitos, el depósito, el tapón y los accesorios) de acuerdo con el Programa de mantenimiento para ver si hay grietas o pérdidas. Repárelos y límpielos según sea necesario.

## MANTENIMIENTO

### Retiro del panel del piso

#### ⚠ ADVERTENCIA

No opere el tractor si se extrajo el panel del piso.

El panel de piso se puede quitar para realizar tareas de mantenimiento, revisión y limpieza. Para extraer el panel de piso:

1. Con una herramienta para usos múltiples o una llave de cubo de 1/2 pulgada, extraiga el tornillo de cabeza hexagonal (a) que sujeta el panel de piso en su lugar (Figura 32).

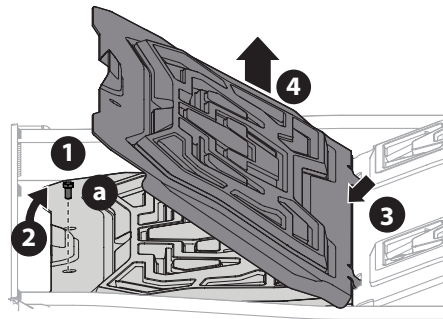


Figura 32

2. Levante con cuidado la parte trasera del panel de piso (Figura 32).
3. Para liberar el frente del panel de piso, deslícelo hacia atrás (Figura 32).
4. Levántelo para separarlo del tractor (Figura 32).
5. Para colocar el panel de piso nuevamente en el tractor, vuelva a colocarlo con atención en su lugar y vuelva a colocar el tornillo de cabeza hexagonal que se extrajo en el paso 1.

## Motor

#### ⚠ ADVERTENCIA

Deje que la máquina se enfríe en un lugar abierto al menos cinco minutos antes de almacenarla o de volver a cargarle combustible.

Consulte las instrucciones y procedimientos de mantenimiento del motor en el Manual del operador del motor.

**NOTA:** el mantenimiento, la reparación o el reemplazo de los dispositivos y los sistemas del control de emisiones, que corre por cuenta del cliente, puede realizarlo cualquier establecimiento o individuo especializado en reparaciones de motores. Los arreglos en garantía deben ser realizados por un distribuidor autorizado.

## CAMBIO DE ACEITE DEL MOTOR

#### ⚠ ADVERTENCIA

Si el tractor ha estado en funcionamiento recientemente, el motor, el silenciador y las superficies metálicas circundantes estarán muy calientes y pueden causar quemaduras en la piel. Deje que el motor se enfríe durante al menos cinco minutos. Tenga precaución para evitar quemaduras.

**NOTA:** el filtro de aceite se debe cambiar en cada intervalo de cambio de aceite.

Para realizar el cambio de aceite, proceda de la siguiente manera:

1. Ubique la manguera de drenaje de aceite (a) que está en el costado del motor (Figura 33).

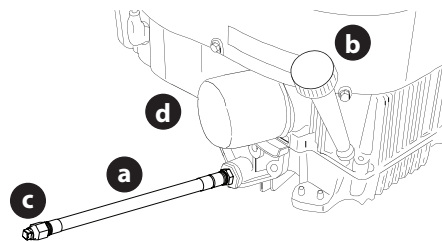


Figura 33

2. Para recoger el aceite usado, coloque un recipiente adecuado con al menos una capacidad de 2.5 cuartos de galón (2.37 litros) debajo de la abertura de la manguera de drenaje de aceite. Retire el tapón de llenado de aceite/la varilla de nivel de aceite (b) del tubo de llenado (Figura 33).

- Mientras sostiene el extremo libre de la manguera de drenaje de aceite sobre el recipiente de recolección de aceite, desenrosque el tapón con cabeza cuadrada de la manguera (c) del extremo de la manguera de drenaje de aceite (Figura 33). Drene el aceite del motor dentro del recipiente.
- Una vez que haya drenado el aceite, limpie el aceite residual de la manguera de drenaje de aceite. Enrosque el tapón con cabeza cuadrada de la manguera en el accesorio de la manguera de drenaje de aceite, y ajuste dicho tapón hasta 16 pies-libras (22 N-m).
- Extraiga el filtro de aceite (d) y drene en el recipiente recolector (Figura 33).
- Vuelva a colocar el filtro de aceite (d) y cargue el motor con aceite nuevo según las instrucciones del Manual del operador del motor (Figura 33).

**NOTA:** coloque una toalla absorbente debajo del filtro de aceite para mantener el aceite fuera del embrague.

**NOTA:** respete las leyes y reglamentaciones sobre la manera correcta de desechar gasolina, aceite, etc. para proteger el medio ambiente.

**NOTA:** el mantenimiento, la reparación o el reemplazo de los dispositivos y de los sistemas de control de emisiones que se estén realizando pueden ser llevados a cabo por cualquier individuo o establecimiento especializado en reparación de motores. Los arreglos en garantía deben ser realizados por un distribuidor autorizado.

## Lubricación

### ⚠ ADVERTENCIA

Antes de lubricar, reparar o inspeccionar, desconecte siempre la toma de fuerza (PTO), ponga el freno de mano, pare el motor y retire la llave, para evitar el encendido accidental del motor.

Con un aceite lubricante de buena calidad, lubrique todos los puntos de lubricación. Consulte la tabla del Programa de mantenimiento que se encuentra en este manual para conocer los intervalos de revisión adecuados.

## Mantenimiento del amortiguador de chispas (si se incluye)

Los conjuntos de amortiguadores de chispas se deben inspeccionar y limpiar periódicamente (consulte la tabla del Programa de mantenimiento que figura en este manual). Inspeccione visualmente el filtro para detectar roturas, cables rotos o soldaduras sueltas. Vuelva a colocar el conjunto de amortiguador de chispas si existen algunas de estas condiciones. Si el filtro está en buenas condiciones, límpielo cepillando para sacar la suciedad o partículas de carbono sueltas.

## Puntos de engrase

### RUEDAS DELANTERAS

Cada uno de los ejes de las ruedas delanteras está equipado con engrasadores (Figura 34). Lubrique con una grasa multiuso No. 2 aplicada con una pistola de engrase cada 25 horas de funcionamiento del tractor.

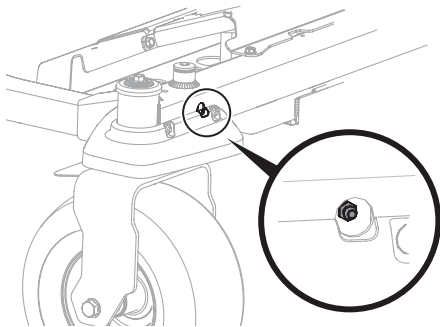


Figura 34

### CONJUNTO DE DIRECCIÓN

El conjunto de dirección está equipado con dos engrasadores (Figura 35). Lubrique con una grasa multiuso No. 2 aplicada con una pistola de engrase cada 25 horas de funcionamiento del tractor.

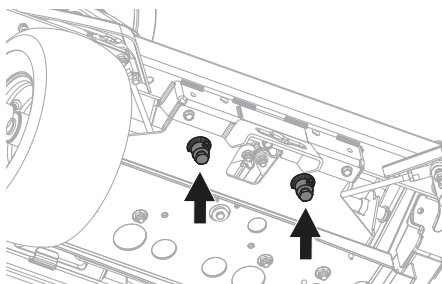


Figura 35

## Neumáticos

Mantenga los neumáticos inflados a las presiones recomendadas. El inflado inadecuado de un neumático reduce su vida útil. Consulte los laterales de los neumáticos para averiguar las presiones de inflado adecuadas. Consulte la tabla del Programa de mantenimiento que se encuentra en este manual para conocer los intervalos de revisión adecuados.

Respete las siguientes pautas:

- No infle los neumáticos por encima de la presión máxima que se muestra en el lateral del neumático.
- No vuelva a inflar un neumático que se ha utilizado desinflado o desinflado en extremo. Un gomero calificado debe inspeccionar y reparar el neumático.



## Transmisión hidrostática

Su tractor de radio de giro cero está equipado con dos transejes/bombas hidrostáticas. En condiciones normales de funcionamiento, no es necesario comprobar el nivel de aceite.

## CAMBIAR EL ACEITE DE TRANSMISIÓN

Por favor, acuda a su distribuidor de servicio autorizado para cambiar el aceite de la transmisión.

## Almacenamiento Fuera de Temporada

Si el tractor no va a funcionar por un periodo prolongado (treinta días o más), se lo debe preparar para el almacenamiento. Guarde el tractor en un lugar seco y protegido. Si lo guarda afuera, cúbralo (incluidos los neumáticos) para protegerlo de los fenómenos climáticos. Cada vez que almacene el tractor se deben realizar los procedimientos que se describen más abajo.

1. Cambie el aceite y el filtro del motor siguiendo las instrucciones suministradas en este manual, como así también el manual del motor entregado con este tractor.

### ADVERTENCIA

Nunca guarde el tractor con combustible en el depósito en un lugar cerrado o con escasa ventilación, donde los gases del combustible pueden alcanzar llamas abiertas, chispas o una luz piloto como la de un horno, calentador de agua, secador de ropa, etc.

2. Si guarda el tractor por 30 días o más:
  - a. Para evitar que se formen depósitos de goma dentro del carburador del motor y posibles desperfectos en el motor, el sistema de combustible debe ser vaciado completamente, o se debe tratar la gasolina con un estabilizador para evitar el deterioro.
  - b. Uso de un estabilizador de combustible para almacenamiento de entre 30 y 90 días:
    - Lea las instrucciones y recomendaciones del fabricante del producto.
    - Agregue a la gasolina limpia y nueva la cantidad correcta de estabilizador según la capacidad del sistema de combustible.
    - Llene el depósito de combustible con combustible tratado y haga funcionar el motor 2-3 minutos para estabilizar el combustible dentro del carburador.
    - El combustible que queda en el depósito se deteriora y causa graves problemas de arranque.
  - c. Vaciado del sistema de combustible para almacenamiento de más de 90 días:
    - Antes de guardar el tractor, observe el consumo de combustible a los efectos de hacer funcionar el tractor hasta que el depósito esté vacío.

- Haga funcionar el motor hasta que comience a detenerse. Use el cebador para mantener el motor en funcionamiento hasta que se haya agotado todo el combustible del carburador.
- Consulte el Manual del operador del motor para drenar el combustible del recipiente del carburador.

3. Limpie perfectamente el motor y todo el tractor.

**NOTA:** no se recomienda utilizar una lavadora a presión o una manguera de jardín para limpiar el tractor, salvo para limpiar la parte inferior de la plataforma. Puede dañar los componentes eléctricos, los husillos, las poleas, los rodamientos o el motor. El uso de agua acortará la vida útil de la máquina y reducirá su capacidad de servicio.

4. Cargue totalmente la batería, luego desconecte el cable negativo de la batería para evitar posibles descargas. Vuelva a cargar la batería periódicamente durante el almacenamiento.

**NOTA:** retire la batería si está expuesta a períodos prolongados de temperaturas inferiores al congelamiento. Guarde en un lugar fresco y seco, donde las temperaturas estén por encima del punto de congelamiento.

5. Lubrique todos los puntos de lubricación.

## Retiro del tractor del lugar de guarda

1. Verifique el aceite del motor.
2. Cargue totalmente la batería e infle los neumáticos a la presión recomendada. Consulte los laterales de los neumáticos para averiguar las presiones de inflado adecuadas.
3. Llene el depósito de combustible con gasolina limpia y nueva.
4. Arranque el motor y déjelo andar en ralentí unos cuantos minutos para asegurar que su funcionamiento sea adecuado.
5. Conduzca el tractor sin carga para estar seguro de que todos los sistemas del tractor funcionan correctamente.

## AJUSTES

### Ajuste del pedal de elevación de la plataforma

El pedal de elevación de la plataforma se puede ajustar según la preferencia del operador.

1. Coloque la plataforma en la posición de transporte.
2. Retire el tornillo de carro y la tuerca hexagonal cerca del centro del montaje del pedal. (Figura 36).

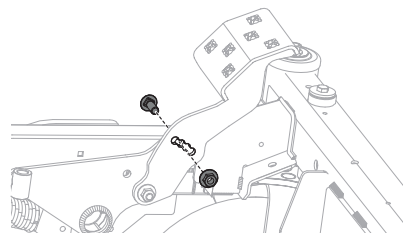


Figura 36

## CUIDADO DEL PRODUCTO

3. Coloque el pedal en la posición óptima según la preferencia del operador (Figura 37).

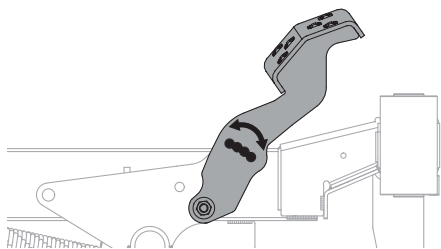


Figura 37

4. Vuelva a instalar el hardware que retiró anteriormente y apriete la tuerca a 28-35 pies-libras (38-47 N·m) (Figura 36 en la página 65).

### Nivelación de la plataforma

Si la plataforma de corte estuviera realizando el corte de césped de forma despareja, pueden realizarse ajustes de nivelación.

#### ⚠ WARNING

Si el tractor ha estado en funcionamiento recientemente, el motor, el silenciador y las superficies metálicas circundantes estarán muy calientes y pueden causar quemaduras en la piel. Deje que el motor se enfríe durante al menos cinco minutos. Tenga precaución para evitar quemaduras.

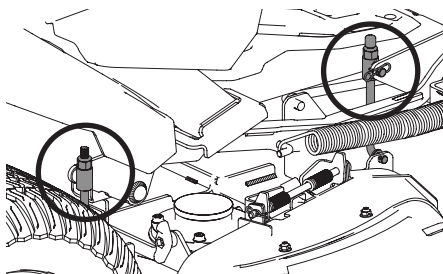
#### ⚠ ADVERTENCIA

Las cuchillas del tractor están afiladas. Envuelva la cuchilla o use guantes, y tenga mucho cuidado cuando las revise.

### NIVELACIÓN DE LA PLATAFORMA (DE LADO A LADO)

1. Coloque el tractor sobre una superficie nivelada y firme.
2. Verifique que todos los neumáticos estén correctamente inflados.
3. Coloque la manija de elevación de la plataforma o la perilla de elevación de la plataforma en la posición intermedia de corte y gire ambas cuchillas exteriores para que queden perpendiculares al tractor.
4. Mida la distancia desde la parte externa de la punta de la cuchilla izquierda hasta el piso, y desde la parte externa de la punta de la cuchilla derecha hasta el piso. Las dos mediciones obtenidas deben ser iguales. Si no lo son, prosiga con el paso siguiente.

5. Ubique los pernos de ajuste arriba de las varillas de elevación de la plataforma del lado izquierdo y derecho de la plataforma. Hay uno de cada lado en el frente de la plataforma entre la plataforma y el tubo del bastidor inferior, y uno a cada lado de la parte trasera de la plataforma cerca del frente de la rueda trasera (Figura 38).



Bastidor inferior no se muestra para mayor claridad

Figura 38

6. Quite la tapa de extremo de las varillas de elevación delanteras y resérvelas para volver a instalarla.
7. Para elevar la altura de la plataforma, gire los pernos del lado izquierdo (delanteros y traseros) o del lado derecho (delanteros y traseros) en sentido horario o en sentido antihorario para bajar la plataforma, dependiendo del ajuste necesario. Ajuste cada perno igualmente.

**NOTA:** haga los ajustes en incrementos de un cuarto de giro, y vuelva a medir la distancia de la cuchilla de ambos lados con frecuencia.

### NIVELACIÓN DE LA PLATAFORMA (INCLINACIÓN/DE ADELANTE HACIA ATRÁS)

La parte delantera de la plataforma debe estar entre 1/8 a 3/8 pulgadas (3 a 9 mm) más baja que la parte trasera de la plataforma. De ser necesario, realice un ajuste de la siguiente manera:

1. Estacione el tractor sobre una superficie firme y nivelada, y coloque la perilla de elevación de plataforma en una posición intermedia.
2. Verifique que todos los neumáticos estén correctamente inflados.
3. Verifique que haya nivelación lado a lado.
4. Rote la cuchilla lo más cerca posible del canal de descarga de manera que esté en paralelo con el tractor.
5. Mida la distancia desde la parte delantera de la punta de la cuchilla hasta el suelo, y desde la parte posterior de la punta de la cuchilla hasta el suelo. La primera medición tomada debe ser entre 1/8-3/8" (3-9 mm) menos que la segunda medición.
6. Determine la distancia aproximada necesaria para un ajuste adecuado y, de ser necesario, proceda.

# CUIDADO DEL PRODUCTO

- a. Quite la tapa de extremo de las varillas de ajuste de elevación de la plataforma delanteras y resérvelas para volver a instalarla (Figura 39).

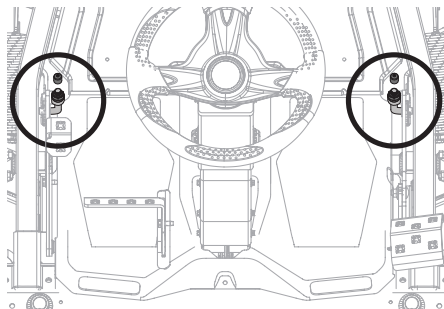


Figura 39

- b. Gire ambos pernos delanteros en sentido horario para elevar la inclinación de la plataforma delantera o en sentido antihorario para bajar la inclinación de la plataforma delantera, dependiendo del ajuste necesario. Ajuste cada perno igualmente (Figura 39).

**NOTA:** haga los ajustes en incrementos de un cuarto de giro, y vuelva a medir la distancia de la cuchilla de inclinación de la plataforma de adelante a atrás con frecuencia hasta alcanzar la inclinación correcta.

- c. Vuelva a instalar las tapas de extremo en las varillas de la plataforma.

## Ajuste de las ruedas de la plataforma

### ⚠ ADVERTENCIA

Mantenga las manos y los pies alejados de la abertura de descarga de la plataforma de corte.

**NOTA:** las ruedas de la plataforma constituyen un mecanismo para el cuidado del césped y no fueron diseñadas para soportar el peso de la plataforma de corte. Las ruedas de la plataforma deben estar aproximadamente entre 1/4-1/2 pulgada (6.35-12.7 mm) por encima del nivel del suelo cuando la plataforma se fija en el valor de altura deseado. Para obtener instrucciones sobre cómo ajustar las ruedas de la plataforma consulte la sección Configuración.

## SERVICIO

### Sistema eléctrico

El tractor tiene instalado un fusible para proteger el sistema eléctrico de los daños causados por el exceso de amperaje. Siempre reemplace con fusibles de la misma capacidad. Si el sistema eléctrico no funciona, controle si hay un fusible quemado.

Si se repite el problema de los fusibles quemados, haga que el distribuidor de servicio autorizado de su localidad revise el sistema eléctrico del tractor.

### Relés e interruptores

Hay varios interruptores de seguridad en el sistema eléctrico. Si una función del sistema de enclavamiento de seguridad descrito antes no funciona adecuadamente, haga que el distribuidor de servicio autorizado revise el sistema eléctrico.

### Ajuste del freno de mano

Si el tractor no se detiene por completo cuando los pedales de control de conducción están en posición neutral y el freno de estacionamiento activado, o si las ruedas traseras del tractor pueden rodar con el freno de estacionamiento activado (y la válvula de alivio hidrostática abierta), el freno necesita un ajuste. Consulte al distribuidor de servicio autorizado para realizar un ajuste del freno.

### Retiro de la plataforma

Retire la plataforma de corte del tractor de la siguiente forma:

1. Coloque el tractor en una superficie plana, desconecte la toma de fuerza, detenga el motor, coloque los pedales de accionamiento en posición neutral y ponga el freno de mano.
2. Hay dos métodos para extraer la correa, para extraer la correa aflojando la tensión de la correa prosiga al paso 3, para extraer la correa haciéndola rodar fuera de la polea de la PTO, pase al paso 4.

### ⚠ ADVERTENCIA

Tenga cuidado de no pellizcarse los dedos cuando saca la correa de la polea de la PTO.

3. Alivie la tensión de la correa:
  - a. Usando el pedal y la perilla de elevación de la plataforma, levante la plataforma a la posición que le ofrece mayor recorrido horizontal de la correa entre las poleas locas de la plataforma y la polea de la PTO en la base del motor.
  - b. Quite el resorte intermedio del enganche de resorte metálico del lado derecho del centro de la plataforma (Figura 40).

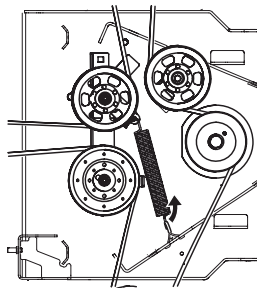


Figura 40

4. Haga rodar la correa para sacarla de la polea de la PTO:
  - a. Levante la plataforma a la posición que le ofrece mayor recorrido horizontal de la correa entre las poleas locas de la plataforma y la polea de la PTO en la base del motor.

## CUIDADO DEL PRODUCTO

- b. Sentado detrás del tractor, mirando hacia adelante, estire la mano debajo del tractor para agarrar la correa por delante de la polea de la PTO.
- c. Tire del lado izquierdo de la correa hacia atrás y hacia abajo mientras gira manualmente la polea de la PTO hacia la derecha hasta que la correa se deslice hacia afuera sobre el borde inferior de la polea.

**NOTA:** si tira del lado derecho de la correa, gire la polea hacia la izquierda.

- d. Mientras sostiene la correa de la PTO (a) hacia abajo, siga girando la polea de la PTO (b) hasta que la correa de la PTO (a) se deslice fuera de la polea (b) (Figura 41).

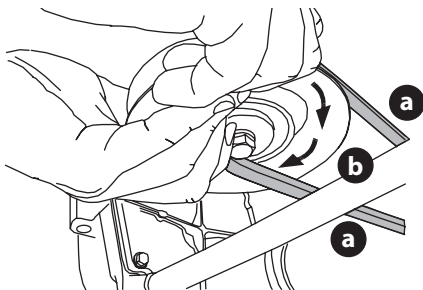


Figura 41

- e. Baje la plataforma a la posición de corte más baja.

### **⚠ ADVERTENCIA**

La elevación de la plataforma se acciona por resorte y está bajo tensión. Pueden ocurrir lesiones si la elevación de la plataforma accionada por resorte se suelta repentinamente. Use siempre la herramienta para usos múltiples para sujetar la elevación de la plataforma en su lugar. No intente usar el pedal de elevación de la plataforma mientras la plataforma está trabada con la herramienta para usos múltiples de esta forma.

5. Utilice el pedal de elevación de la plataforma y la perilla de elevación de la plataforma para colocar la plataforma en su posición más baja y utilice la herramienta para usos múltiples para trabar los componentes de elevación de la plataforma en su lugar. Junto a la rueda trasera del lado izquierdo del tractor hay un par de orificios de alineación (uno sobre el bastidor y uno sobre el brazo de elevación de la plataforma) como se muestra en la Figura 42. Verifique que la herramienta esté correctamente insertada en su totalidad, trabando el brazo de elevación de la plataforma en el bastidor.

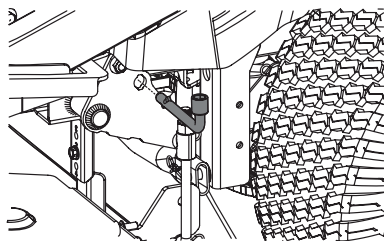


Figura 42

6. Extraiga los dos pasadores con unión curva de las varillas de la plataforma que sujetan los soportes del varillaje de elevación centrales delanteros a los soportes de elevación centrales delanteros de la plataforma y tire del extremo delantero de las varillas fuera de su lugar (Figura 43).

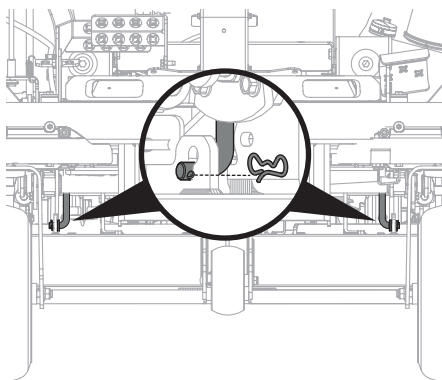


Figura 43

7. Extraiga la barra estabilizadora de la plataforma que está en la parte trasera de la plataforma:
  - a. Extraiga el pasador de chaveta con unión curva que está del lado derecho de la barra, que conecta la barra con el soporte de la plataforma (Figura 44).

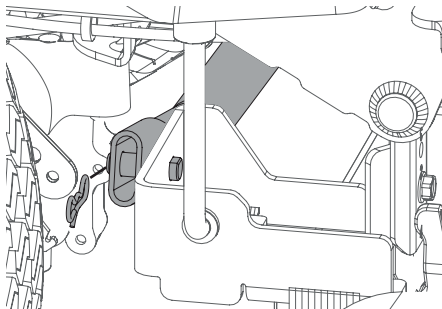


Figura 44

- b. Extraiga el pasador de chaveta con unión curva que está del lado izquierdo de la barra, que conecta la barra con el soporte del bastidor (Figura 45).

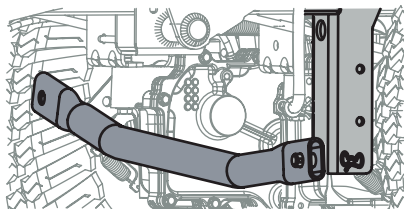


Figura 45

8. Extraiga el pasador de chaveta del extremo de la horquilla inferior de cada varilla de ajuste de altura de la plataforma. Hay uno al frente y uno atrás de cada lado de la plataforma (Figura 46) (se muestra lado izquierdo).

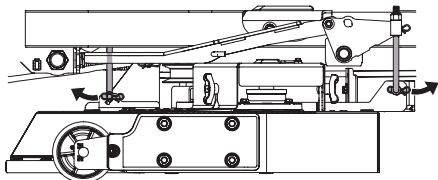


Figura 46

9. Maniobre con atención la plataforma para sacarla de debajo del tractor.

## Instalación de la plataforma

Instale la plataforma sobre el tractor de la siguiente forma:

1. Maniobre con atención la plataforma debajo del tractor desde el lado derecho, alineando las varillas de suspensión de la plataforma y las varillas de elevación de la plataforma del tractor que se quitaron en la sección anterior con las conexiones de soporte apropiadas sobre la plataforma.
2. Una vez que la plataforma esté debajo del tractor, mueva la plataforma a la posición de corte más baja.

**NOTA:** para que los soportes se alineen adecuadamente puede ser necesario colocar un bloque de madera pequeño debajo de cada lado de la plataforma.

3. Vuelva a instalar los elementos de ferretería adecuados para su tractor, en orden inverso al del proceso de extracción:

- a. Instale los extremos de horquilla de la varilla de suspensión de las varillas de ajuste de altura de la plataforma quitados en el paso 8 de Retiro de la plataforma y asegure con los pasadores con unión curva previamente quitados.
- b. Vuelva a instalar la varilla estabilizadora de la plataforma, en la parte trasera de la plataforma, en el bastidor del lado izquierdo, y en la plataforma del lado derecho, con los pasadores con unión curva previamente quitados.

- c. Vuelva a instalar las varillas de suspensión delantera en los soportes centrales delanteros de la plataforma y asegure con los pasadores con unión curva previamente quitados.

4. Verifique que la correa en "V" esté en las poleas del husillo de la plataforma.
5. Verifique que la parte posterior de la correa esté contra las poleas locas fija y movable. Vuelva a instalar o ajuste cualquier elemento de ferretería de la polea loca previamente quitado o aflojado para extraer la plataforma.
6. Deslice la correa hacia atrás por debajo del bastidor del tractor, por encima de los tubos de la transmisión, hasta la polea de la PTO que está en la parte inferior del motor.
7. Levante la plataforma a la posición que le ofrece mayor recorrido horizontal de la correa entre las poleas locas de la plataforma y la polea de la PTO en la base del motor.
8. Sentado detrás del tractor, mirando hacia adelante, asegúrese de que la correa no esté retorcida; luego estire la mano debajo del tractor para agarrar la correa y tirar de la misma hacia la polea de la PTO.

## ⚠ ADVERTENCIA

Tenga cuidado de no pellizcarse los dedos cuando saca la correa de la polea de la PTO.

9. Tire del lado derecho de la correa de la PTO hacia atrás y coloque el lado "V" angosto de la correa de la PTO en la polea de la PTO (Figura 47).

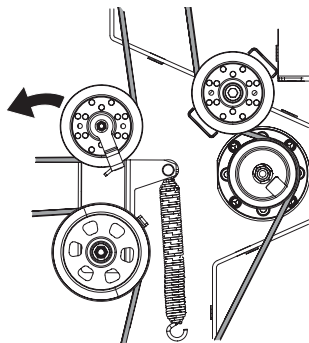


Figura 47

10. Mientras sostiene la correa y la polea de la PTO juntas, gire la polea de la PTO hacia la izquierda (Figura 41 on page 68). Siga sosteniendo y rotando la polea de la PTO y la correa de la PTO hasta que la correa de la PTO se enrolle totalmente en la polea de la PTO.

**NOTA:** antes de usar el tractor, compruebe la instalación de la correa para estar seguro de que la misma se ha colocado correctamente.

11. Controle el nivel y la inclinación de la plataforma. Ajuste de ser necesario.

## Instalación de la correa

1. Extraiga la plataforma de la parte inferior del tractor, (consulte la sección Retiro de la plataforma).
2. Retire los tornillos mariposa hexagonales que sujetan las cubiertas de las correas a la plataforma (Figura 48).

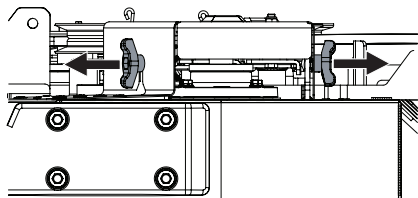


Figura 48

3. Extraiga las cubiertas de la correa de la plataforma (Figura 49).

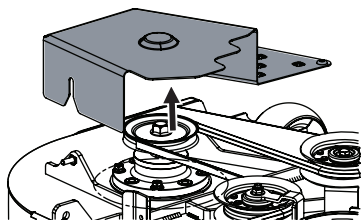


Figura 49

4. Extraiga las dos poleas locas quitando las tuercas de seguridad (a) con reborde que están arriba de los conjuntos, y luego quitando los conjuntos del brazo secundario libre (Figura 50).

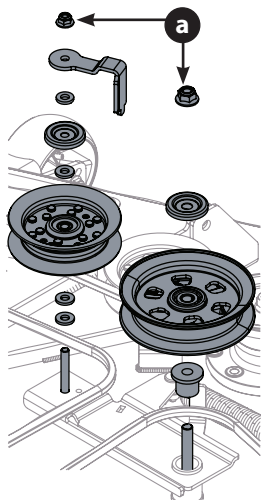


Figura 50

**NOTA:** tome nota de la posición de todos los elementos de ferretería, incluso la de las protecciones de correa para volverlos a instalar más tarde.

5. Retire la correa de las poleas del husillo.
6. Instale la nueva correa alrededor de las poleas del husillo tal como se muestra y vuelva a instalar las cubiertas de la correa que se quitaron en el Paso 3 de esta sección.
7. Coloque la correa alrededor de las poleas locas que extrajo en el paso 4 con el lado en "V" orientado hacia adentro, sin dejar ondas o torceduras en la correa. Una vez colocada, vuelva a instalar de manera floja los elementos de ferretería del brazo secundario libre.
8. Coloque la correa como se muestra en la Figura 51. Ajuste y asegure los elementos de ferretería del brazo secundario libre.

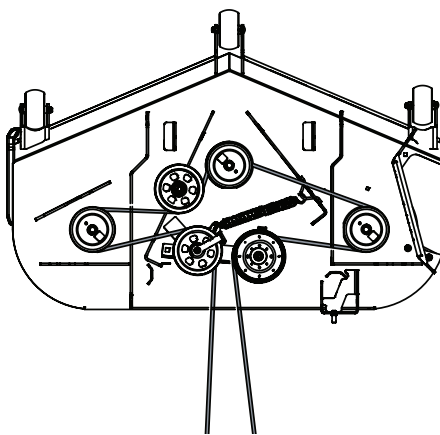


Figura 51

## CUIDADO DE LAS CUCHILLAS DEL TRACTOR

### ⚠ ADVERTENCIA

Antes de realizar cualquier operación de mantenimiento, desactive la PTO, ponga el control de conducción en posición neutra y ponga el freno de estacionamiento. Si deja el tractor sin vigilancia, gire la llave de contacto hasta la posición DETENER (STOP) y retirela. Proteja sus manos utilizando guantes reforzados cuando manipule las cuchillas. Cuando realice el mantenimiento de la plataforma de corte del tractor, tenga cuidado para no cortarse con las cuchillas filosas.

Las cuchillas de corte deben estar siempre afiladas. Afile los bordes de corte de las cuchillas de forma pareja de modo que las cuchillas queden balanceadas y se mantenga el mismo ángulo de filo.

Si el borde de corte de una cuchilla ya se ha afilado muchas veces, o si hay alguna separación en el metal, se recomienda instalar cuchillas nuevas. El distribuidor autorizado le puede proveer cuchillas nuevas.

Las cuchillas se pueden sacar de la siguiente manera.

1. Extraiga la plataforma de la parte inferior del tractor, (consulte la sección Retiro de la plataforma); luego voltee con delicadeza la plataforma para dejar al descubierto su parte inferior.
2. Coloque un bloque de madera (c) entre el alojamiento de la plataforma y el borde de corte de la cuchilla (b) para ayudar a aflojar la tuerca hexagonal (a) que fija la cuchilla (b). Utilice una llave de 15/16 pulgadas para aflojar la tuerca hexagonal (a) (Figura 52).

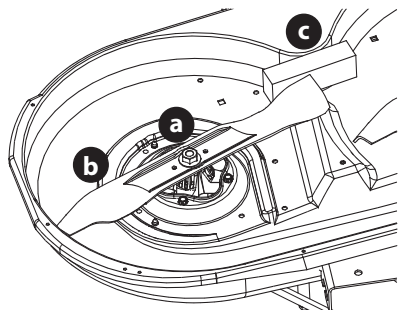


Figura 52

3. Cuando reinstale las cuchillas, asegúrese de que se instalen de modo que las aletas se orienten hacia arriba hacia la parte superior de la plataforma.
4. Ajuste las tuercas hexagonales (a) a 70-90 pies-libras (95-122 N-m).
5. Reinstale la plataforma (consulte Instalación de la plataforma).

### Cambio de la correa de transmisión

Para cambiar la correa de transmisión del tractor, se deben retirar varios componentes y se requieren herramientas especiales. Solicite a un distribuidor de servicio autorizado que realice el reemplazo de la correa de transmisión.

### Desplazamiento lento del tractor

Desplazamiento lento es el movimiento del tractor hacia adelante o hacia atrás cuando el acelerador está activado y las palancas de control de transmisión están en posición neutra. Si tractor se desliza lentamente, consulte a un distribuidor de servicio autorizado.

## SOLUCIÓN DE PROBLEMAS

### ADVERTENCIA

Antes de limpiar, reparar o inspeccionar, compruebe que la(s) cuchilla(s) y todas las piezas móviles se hayan detenido. Apague el motor, retire la llave, desconecte el o los cables de las bujías y el cable negativo de la batería para evitar un arranque involuntario. Para protegerse los ojos, utilice siempre anteojos o antiparras de seguridad durante la operación o mientras realiza ajustes o reparaciones.

En esta sección se analizan problemas menores de servicio. Para localizar el centro de servicio autorizado más cercano consulte la hoja complementaria que se entrega por separado donde consta la información de contacto.

Problema	Causa	Solución
<b>El motor no arranca</b>	<ol style="list-style-type: none"> <li>1. Perilla de PTO/activación de cuchilla activada.</li> <li>2. No está puesto el freno de mano.</li> <li>3. Se ha desconectado el cable de bujía.</li> <li>4. La palanca de control del acelerador no está en la posición de arranque correcta.</li> <li>5. El depósito de combustible está vacío o el combustible se ha echado a perder.</li> <li>6. El circuito del combustible o el filtro de combustible están obstruidos.</li> <li>7. La bujía no funciona correctamente.</li> <li>8. Motor ahogado.</li> <li>9. Fusible(s) quemado(s).</li> </ol>	<ol style="list-style-type: none"> <li>1. Coloque la perilla en la posición de desconexión (OFF).</li> <li>2. Coloque el freno de mano.</li> <li>3. Conecte el cable a la bujía de encendido.</li> <li>4. Mueva la palanca del acelerador a la posición FAST (rápido).</li> <li>5. Llene el depósito con gasolina limpia y nueva (de menos de 30 días de antigüedad).</li> <li>6. Reemplace el circuito de combustible. Consulte a un distribuidor de servicio calificado. Reemplace el filtro de combustible.</li> <li>7. Limpie, ajuste la separación, o cambie la bujía.</li> <li>8. Arranque el motor con el acelerador en la posición FAST (rápido).</li> <li>9. Reemplace el fusible.</li> </ol>
<b>El motor funciona de manera errática</b>	<ol style="list-style-type: none"> <li>1. El tractor cortacésped está funcionando con el Cebador activado.</li> <li>2. El cable de la bujía está flojo.</li> <li>3. El circuito del combustible está obstruido o el combustible se ha echado a perder.</li> <li>4. La ventilación en la tapa del combustible está obstruida.</li> <li>5. Hay agua o suciedad en el sistema de combustible.</li> <li>6. El depurador de aire está sucio.</li> </ol>	<ol style="list-style-type: none"> <li>1. Compruebe que el cebador eléctrico funcione. Comuníquese un distribuidor de servicio calificado.</li> <li>2. Conecte y ajuste el cable de la bujía.</li> <li>3. Reemplace el circuito de combustible. Comuníquese un distribuidor de servicio calificado. Llene el tanque con gasolina limpia y nueva y reemplace el filtro de combustible.</li> <li>4. Destape la ventilación o reemplace la tapa si está dañada.</li> <li>5. Vacíe el depósito de combustible. Recargue el depósito con gasolina limpia y nueva.</li> <li>6. Limpie o reemplace el elemento de papel del depurador de aire o limpie el prefiltro de espuma.</li> </ol>



## CUIDADO DEL PRODUCTO

Problema	Causa	Solución
<b>El motor recalienta</b>	<ol style="list-style-type: none"> <li>1. El nivel de aceite del motor está bajo.</li> <li>2. Restricción en el flujo de aire.</li> </ol>	<ol style="list-style-type: none"> <li>1. Llene el motor con cantidad y tipo de aceite adecuados.</li> <li>2. Elimine los recortes de césped y los desechos de alrededor de las aletas de enfriamiento del motor y de la carcasa del soplador.</li> </ol>
<b>El motor vacila a altas revoluciones</b>	<ol style="list-style-type: none"> <li>1. Poca separación de los electrodos de la bujía.</li> </ol>	<ol style="list-style-type: none"> <li>1. Extraiga la bujía y regule la separación.</li> </ol>
<b>El motor funciona mal en marcha lenta</b>	<ol style="list-style-type: none"> <li>1. Bujía atorada.</li> <li>2. El depurador de aire está sucio.</li> </ol>	<ol style="list-style-type: none"> <li>1. Reemplace la bujía y regule la separación.</li> <li>2. Limpie o reemplace el elemento del depurador de aire y/o limpie el prefiltro.</li> </ol>
<b>Excesiva vibración</b>	<ol style="list-style-type: none"> <li>1. Cuchillas de corte flojas o descentradas.</li> <li>2. Cuchilla de corte dañada, desafilada o doblada.</li> </ol>	<ol style="list-style-type: none"> <li>1. Apriete la cuchilla y el husillo. Centre la cuchilla.</li> <li>2. Reemplace la cuchilla.</li> </ol>
<b>Corte irregular</b>	<ol style="list-style-type: none"> <li>1. La plataforma no está correctamente nivelada.</li> <li>2. Cuchilla desafilada.</li> <li>3. Presión de neumáticos desigual.</li> </ol>	<ol style="list-style-type: none"> <li>1. Haga un ajuste de la plataforma de lado a lado.</li> <li>2. Afíle o cambie la cuchilla.</li> <li>3. Verifique la presión de los cuatro neumáticos.</li> </ol>

# MANUEL DE L'UTILISATEUR

## Tondeuse à rayon de braquage zéro avec volant de direction

Anglais (English).....	Page 1
Espagnol (Spanish).....	Page 36
Français.....	Page 74

### Identification du produit

Avant d'utiliser votre appareil, notez ci-contre les numéros de modèle et de série. La plaque signalétique, qui comprend les numéros de modèle et de série de l'appareil, se trouve sous le support du siège. Il est important de conserver ces références car elles vous seront demandées si vous communiquez avec nous sur notre site web ou chez un concessionnaire.

### Numéro de modèle

### Numéro de série

### AVERTISSEMENT

Lisez attentivement les consignes de sécurité et les instructions de montage et de fonctionnement avant d'utiliser votre appareil afin d'éviter de vous blesser. CONSERVEZ CES INSTRUCTIONS.

### AVERTISSEMENT

#### PROPOSITION 65 DE LA CALIFORNIE

Les gaz d'échappement du moteur ainsi que certains éléments de vos appareils motorisés contiennent des substances considérées par l'État de Californie comme étant cancérigènes et pouvant provoquer des anomalies congénitales ainsi que d'autres effets nuisibles à la reproduction.

Les bornes et les cosses de batterie ainsi que les accessoires connexes contiennent du plomb et des composés de plomb, soit des produits chimiques reconnus par l'État de Californie comme cancérigènes et pouvant provoquer des effets nuisibles à la reproduction. Lavez-vous les mains après toute manipulation. [www.p65warnings.ca.gov](http://www.p65warnings.ca.gov)

**NOTE :** Ce manuel est commun à plusieurs modèles dont les caractéristiques peuvent différer. Certaines caractéristiques décrites dans ce manuel peuvent ne pas s'appliquer à tous les modèles. Votre appareil peut différer du modèle illustré.

Formulaire n°. 769-26660

(3 novembre 2022)

# CONSIGNES DE SÉCURITÉ

## ⚠ AVERTISSEMENT



Les consignes importantes sont précédées de ce symbole. Si vous ne respectez pas ces consignes, vous pourriez vous blesser grièvement ou causer des dommages. Veuillez lire et respecter toutes les consignes de ce manuel avant d'utiliser cet appareil afin d'écartier tout risque d'accident et de blessure. Lorsque vous voyez ce symbole, RESPECTEZ LA CONSIGNE !

## ⚠ DANGER

Cet appareil doit être utilisé conformément aux consignes de ce manuel. Comme pour tout type d'équipement motorisé, la négligence ou une erreur de la part de l'utilisateur peut entraîner un accident. De plus, les lames sont dangereuses. Elles peuvent projeter des objets avec force ou infliger des blessures graves (pouvant mener à une amputation des doigts, des mains ou des pieds). Il est donc impératif de respecter scrupuleusement les consignes de sécurité énoncées.

## FONCTIONNEMENT GÉNÉRAL

1. Veuillez lire attentivement toutes les instructions inscrites sur l'appareil et dans le manuel avant de l'assembler et de l'utiliser. Conservez le manuel pour pouvoir le relire ou commander des pièces de rechange.
2. Familiarisez-vous avec les commandes et le fonctionnement de votre appareil avant de vous en servir. Vous devez surtout savoir comment l'arrêter et débrayer les commandes rapidement.
3. L'âge minimum pour pouvoir utiliser cet appareil est de 14 ans. Si vous souhaitez permettre à vos enfants de plus de 14 ans de tondre la pelouse, lisez d'abord les consignes de sécurité et d'utilisation avec eux, montrez-leur comment faire et exigez qu'un adulte soit présent en tout temps.
4. Ne confiez votre appareil qu'à des adultes responsables, qui savent s'en servir.
5. Soyez prudent et faites preuve de bon sens en tout temps : ce manuel ne peut couvrir toutes les situations susceptibles de survenir lorsque vous utilisez votre tondeuse. Si vous avez besoin d'aide, communiquez avec notre service à la clientèle.
6. La durée de vie moyenne de votre tondeuse est de sept (7) ans d'après la Commission américaine pour la sécurité des produits de consommation (U.S. Consumer Products Safety Commission) et l'Agence américaine de protection de l'environnement (U.S. Environmental Protection Agency). À ce terme, faites impérativement vérifier les mécanismes et dispositifs de sécurité tous les ans par un centre de service agréé. Vous risquez un accident grave voire mortel si vous ne le faites pas.

## AVANT D'UTILISER

1. Examinez soigneusement la pelouse avant de tondre. Ramassez les pierres, brindilles, fils, os, jouets et autres objets qui pourraient être projetés ou sur lesquels vous pourriez trébucher. Les objets projetés peuvent causer de graves blessures.
2. Ne laissez personne s'approcher à moins de 23 mètres (75 pieds) lorsque vous tondez, à cause des risques liés aux projections ou à une collision. Personne ne doit s'approcher de la zone de travail. Coupez le moteur dès que quelqu'un s'approche.
3. Ne dirigez jamais le côté où sont éjectés les débris d'herbe vers d'autres personnes.

4. Portez toujours des lunettes de sécurité pour tondre ou pour effectuer un réglage ou une réparation. Vos yeux sont particulièrement vulnérables aux projections.
5. Portez des chaussures fermées et à semelle épaisse et des vêtements couvrants et bien ajustés, et évitez les bijoux. Ne tondez jamais pieds nus ou en sandales.
6. Ne remplissez pas le réservoir à ras bord : l'essence se dilate en chauffant, alors laissez un espace d'environ un demi-pouce (13 mm) sous le col de remplissage.
7. Veillez à remettre correctement le bouchon du réservoir lorsque vous avez terminé.
8. N'utilisez que des pièces d'origine et des accessoires homologués. Si vous ajoutez un accessoire, lisez bien son manuel d'utilisation.

## SYSTÈME DE PROTECTION DU CONDUCTEUR

1. Cette tondeuse est équipée d'un système de protection du conducteur (OPS), qui comprend :
  - a. Une structure de protection anti-retournement (ROPS) fixe ou repliable.
  - b. Une ceinture de sécurité à enrouler.
2. La structure de protection anti-retournement offre, en cas de renversement ou de basculement, une protection accrue au conducteur lorsqu'il porte sa ceinture de sécurité correctement et lorsqu'il est assis sur le siège de l'appareil. Cette structure de protection doit être utilisée dans sa position redressée et verrouillée en tout temps sauf lorsqu'elle doit être temporairement repliée pour ne pas heurter des objets comme les branches d'arbres, les cordes à linge, les fils de retenue en acier, les poteaux électriques, les édifices, etc.
3. L'utilisateur doit attacher la ceinture de sécurité correctement autour de sa taille et la porter en tout temps, sauf si la structure de protection anti-retournement est :
  - a. Incorrectement installée ou mal attachée à l'appareil.
  - b. Endommagée au point de compromettre sa qualité structurelle.
  - c. Dans une position autre que redressée et verrouillée.

4. La ceinture de sécurité du siège à suspension est fixée à la partie mobile du siège; le support du siège doit donc être bien retenu à son point de pivotement et celui-ci doit être fixé au châssis de l'appareil. Sur le siège standard (sans suspension), la ceinture de sécurité est fixée au siège ou au châssis de l'appareil. Cependant, si un kit de suspension est installé sur le siège, la ceinture de sécurité doit être attachée à la partie mobile du siège ou au mécanisme de suspension, le support du siège doit être bien retenu à son point de pivotement et celui-ci doit être fixé au châssis de l'appareil.

## AVERTISSEMENT

**La ceinture de sécurité ne doit pas être portée si la structure de protection anti-retournement est repliée ou enlevée. Il faut remplacer la ceinture de sécurité usée ou endommagée et la structure de protection anti-retournement endommagée avant d'utiliser la tondeuse.**

5. La structure de protection anti-retournement, en forme d'arceau, se trouve derrière le siège du conducteur. Le contact de la structure de protection avec les objets comme les arbres, les édifices, les portails, les cordes à linge, les fils électriques, etc. peut faire basculer ou renverser l'appareil. Soyez prudent et évitez les zones où la structure de protection anti-retournement pourrait heurter un objet (arbres, etc.).
6. Le grillage de protection et le toit amovible peuvent faire dévier les branches d'arbres, les cordes à linge et tout autre obstacle qui autrement pourraient entrer en contact avec la structure de protection anti-retournement. Si la structure de protection anti-retournement ou du toit amovible entre en contact avec des objets tels que des branches d'arbres, des cordes à linge, des fils de retenue en acier, des poteaux électriques et des édifices, ce contact pourrait causer le basculement ou le renversement de l'appareil. Un toit amovible offre une protection contre le soleil et la pluie.
7. La structure de protection anti-retournement et la ceinture de sécurité font partie intégrante de cet appareil et ne doivent donc pas être retirées ou modifiées en aucune façon.
8. Vérifiez le fonctionnement de la structure de protection anti-retournement et la ceinture de sécurité selon le calendrier d'entretien dans la section Entretien et réglage de ce manuel. Remplacez tout composant endommagé ou défectueux par des pièces de rechange approuvées.
9. Une mauvaise utilisation de la ceinture de sécurité peut entraîner de graves blessures, voire la mort, dans le cas d'un renversement accidentel. La structure de protection, dans sa position redressée et verrouillée, n'est efficace que si la ceinture de sécurité est attachée. Dans le cas d'un renversement, le conducteur peut être heurté par la structure de protection et être sérieusement blessé.
10. La structure de protection anti-retournement n'est pas conçue pour empêcher la tondeuse de basculer ou de se renverser.
11. Il ne faut pas présumer que la structure de protection anti-retournement protégera l'utilisateur dans le cas d'un renversement, car des blessures peuvent survenir.

## UTILISATION

1. Statistiquement, les utilisateurs de tracteurs de 65 ans ou plus sont plus susceptibles d'avoir un accident avec leur appareil. Par conséquent, nous vous recommandons de bien évaluer votre aptitude à utiliser cet appareil sans vous mettre en danger ni risquer de blesser d'autres personnes.
2. Débrayez les lames et serrez le frein de stationnement avant de démarrer l'appareil.
3. N'approchez pas les pieds ou les mains ni des pièces rotatives, ni du dessous du plateau de coupe : vous pourriez vous blesser grièvement, au point de devoir subir une amputation.
4. Faites attention aux trous, ornières, bosses, roches et autres objets. Prenez garde aux terrains accidentés car votre appareil pourrait se renverser. L'herbe haute peut camoufler des obstacles.
5. Calculez votre trajectoire de façon à éviter de projeter les brins coupés vers la rue, le trottoir, les passants, etc. Attention, les débris peuvent rebondir sur les murs ou autres obstacles et vous atteindre.
6. Calculez bien la hauteur libre avant de vous engager sous des branches basses, des fils électriques ou dans tout autre passage réduit car vous pourriez vous cogner ou tomber du siège et vous blesser grièvement.
7. Ne laissez jamais votre appareil en marche sans surveillance. Avant de descendre de la tondeuse, débrayez les lames, placez les pédales de déplacement à la position neutre, serrez le frein à main, coupez le moteur et retirez la clé de contact.
8. Arrêtez le moteur, placez les barres de conduite au point mort, serrez le frein à main et attendez l'arrêt complet des lames avant de retirer le bac récupérateur, d'enlever des débris ou d'effectuer un réglage ou une réparation.
9. Cet appareil est conçu pour une utilisation non-professionnelle. Il peut tondre un gazon de 25 cm (10 pouces) de haut au maximum. Il n'est pas fait pour tondre les hautes herbes (par ex. dans un pré) ou pour déchiqeter des tas de feuilles mortes. Si des débris végétaux secs s'accumulent sous le plateau de coupe et atteignent le tuyau d'échappement, ils risquent de prendre feu.
10. Reculez lentement. Regardez toujours derrière vous et par terre avant et pendant la marche arrière pour éviter de renverser quelqu'un. Votre tondeuse comporte certains dispositifs de sécurité pour arrêter les lames en cas de problème pendant la marche arrière. Veuillez les faire réparer par un concessionnaire agréé si vous constatez qu'ils sont défaillants.
11. Ne laissez pas d'autres personnes monter sur la tondeuse lorsque le moteur est en marche.
12. Ne vous approchez pas à moins de 3 mètres (10 pieds) des rebords surélevés, des fossés, des remblais ou des rives. Vous risquez d'y tomber si une roue se retrouve dans le vide ou si le sol s'effondre sous le poids de l'appareil.
13. Le risque de projection et de blessures est décuplé s'il n'y a pas de déflecteur d'éjection.
14. Il est dangereux d'utiliser cette tondeuse sans son déflecteur d'éjection ou sans un sac à herbe.
15. Attention : les bacs récupérateurs et autres accessoires affectent l'équilibre de l'appareil. Suivez les instructions du fabricant.

16. Débrayez les lames dès que vous cessez de tondre et avant de vous engager sur le trottoir, sur la route ou sur du gravier.
17. Si vous devez circuler sur un bas-côté ou traverser la route, faites attention à la circulation. Ne circulez pas sur la voie publique.
18. Tondez en plein jour ou avec un éclairage artificiel adéquat.
19. N'utilisez pas cet appareil lorsque vous êtes sous l'empire de la boisson ou d'un médicament.
20. Ralentissez avant d'entamer un virage. N'effectuez pas de gestes brusques, évitez les manœuvres abruptes et n'allez pas trop vite.
21. Ne touchez pas le silencieux et le moteur, car ils deviennent chauds et pourraient vous brûler. Laissez le moteur refroidir pendant cinq minutes avant d'effectuer un réglage ou une réparation.
22. Ne laissez jamais le moteur tourner dans un lieu fermé ou mal aéré en raison de la présence de monoxyde de carbone, un gaz inodore très dangereux dans les gaz d'échappement.

## PRÉCAUTIONS RELATIVES AUX ENFANTS

1. Redoublez de vigilance si vous avez des enfants. Ces derniers aiment bouger, peuvent se déplacer à tout moment à votre insu et sont souvent attirés par les appareils de jardin sans se rendre compte du danger, ce qui peut provoquer de très graves accidents.
2. Les proches, enfants ou animaux de compagnie doivent être sous la surveillance d'un adulte autre que l'utilisateur de l'appareil et ne doivent pas s'approcher de la zone de travail. Coupez le moteur dès que quelqu'un s'approche.
3. Ne laissez pas les enfants monter sur la tondeuse lorsque le moteur est en marche, même si les lames sont débrayées, car ils pourraient vous gêner, vous déconcentrer ou encore tomber et se blesser grièvement ou mortelles.
4. Des enfants qui ont déjà monté sur l'appareil peuvent s'approcher pour un autre tour et peuvent être écrasés par l'appareil, causant des blessures graves ou mortelles.
5. Restez vigilant et arrêtez l'appareil dès qu'ils s'approchent.
6. Avant de reculer, retournez-vous pour vérifier soigneusement qu'il n'y a personne derrière l'appareil.
7. Soyez particulièrement vigilant à l'abord de virages masqués, portails, buissons, arbres, etc. desquels les enfants peuvent surgir d'un coup.
8. L'âge minimum pour pouvoir utiliser cet appareil est de 14 ans. Si vous souhaitez permettre à vos enfants de plus de 14 ans de tondre la pelouse, lisez d'abord les consignes de sécurité et d'utilisation avec eux, montrez-leur comment faire et exigez qu'un adulte soit présent en tout temps.
9. Sécurisez l'appareil pour qu'aucun enfant ne l'utilise sans autorisation. Cet appareil n'est pas un jouet. Informez vos enfants qu'il est dangereux d'utiliser l'appareil et qu'il ne faut pas s'en approcher.
10. Ne laissez pas vos enfants s'approcher du moteur en marche ou encore chaud ou encore du silencieux car ils risquent de se brûler.
11. Ne laissez jamais la clé de contact sur la tondeuse afin que vos enfants ne puissent pas démarrer le moteur. Assurez-vous qu'elle est hors de la portée des enfants.

## CONSIGNES RELATIVES AUX PENTES

1. Le risque de perdre le contrôle et de se renverser dans une pente est beaucoup plus élevé que sur terrain plat. Ce type d'accident peut provoquer des blessures très graves, voire mortelles. Redoublez de vigilance même dans les pentes douces et n'y allez pas du tout si vous ne vous sentez pas en confiance ou s'il est impossible de la remonter à reculons.
2. Par mesure de sécurité, mesurez toute pente à tondre avec l'inclinomètre de ce manuel avant de vous y engager avec la tondeuse. Utilisez aussi un dispositif de mesure pour déterminer la pente à tondre avant d'utiliser l'appareil. Vous pouvez aussi utiliser les applications pour téléphone pour mesurer les pentes. Évitez impérativement les pentes dont l'inclinaison est supérieure à 20° (35 %) car les risques d'accident grave y sont très élevés.
3. N'utilisez pas l'appareil sur une pente supérieure à 20° (35 %).
4. Ne tondez pas perpendiculairement à la pente. Tondez dans le sens de la pente, mais jamais dans une pente de plus de 20° (35 %). Tondez lentement et ne tournez pas brusquement.
5. Ne tondez pas si la pelouse est mouillée, car elle devient très glissante.
6. N'utilisez pas l'appareil si sa traction, sa stabilité ou sa conduite sont remises en question. Ses roues peuvent glisser même lorsque l'appareil est à l'arrêt.
7. Évitez d'avoir à démarrer ou à vous arrêter au beau milieu d'une pente. Ne changez pas de vitesse ou de direction brusquement. Tournez lentement et prudemment.
8. Attention : les bacs récupérateurs et autres accessoires affectent l'équilibre de l'appareil. N'utilisez pas de bac récupérateur sur une pente supérieure à 10° (17 %).
9. N'essayez jamais de stabiliser la tondeuse en posant le pied à terre.
10. N'allez pas trop vite et prenez votre temps. Ne changez pas de vitesse ou de direction brusquement. Une accélération ou un freinage brusques peut faire soulever l'avant de l'appareil et le faire basculer vers l'arrière, ce qui peut entraîner de graves blessures, voire la mort.

## INCLINOMÈTRE (DERNIÈRE PAGE)

### AVERTISSEMENT

**Le risque de glisser et de renverser l'appareil dans une pente est beaucoup plus élevé que sur terrain plat et les blessures qui en résultent peuvent être très graves, voire mortelles. Redoublez de vigilance même dans les pentes douces. Ne vous engagez pas sur une pente si vous ne vous sentez pas à l'aise. N'utilisez pas l'appareil sur une pente supérieure à 20° (35 %). Travaillez perpendiculairement à la pente, et non dans le sens de la pente.**

PAR MESURE DE SÉCURITÉ, MESUREZ TOUTE PENTE À TONDRE AVEC L'INCLINOMÈTRE À LA DERNIÈRE PAGE DE CE MANUEL POUR ÉTABLIR SI LA PENTE EST TROP RAIDE !

Procédez comme suit pour vérifier l'inclinaison :

1. Allez à la dernière page et pliez-la en suivant la ligne pointillée.
2. Cherchez un objet vertical sur la pente ou à l'arrière (un poteau, un bâtiment, une clôture, un arbre, etc.).

3. Alignez un côté de l'inclinomètre avec cet objet.
4. Réglez l'inclinomètre vers le haut ou vers le bas jusqu'à ce que le coin gauche touche la pente.
5. S'il y a un écart sous l'inclinomètre, la pente est trop raide pour une utilisation sans danger.

## ESSENCE

1. Faites très attention lorsque vous manipulez de l'essence. Ce liquide est très inflammable et dégage des vapeurs explosives. Une simple éclaboussure sur la peau ou les vêtements peut s'enflammer et causer de graves brûlures. Nettoyez au plus vite toute éclaboussure sur la peau et changez de vêtements.
2. Éteignez cigares, cigarettes, pipes et tout autre objet susceptible de s'enflammer.
3. N'utilisez que des bidons d'essence homologués.
4. N'ouvrez pas le réservoir si le moteur est allumé ou encore chaud. Laissez le moteur refroidir pendant au moins cinq minutes avant de faire le plein.
5. Ne faites jamais le plein dans un lieu fermé.
6. N'entrez jamais l'appareil ou les bidons d'essence à proximité d'une flamme nue, d'étincelles ou d'une veilleuse (chauffe-eau, radiateur, sècheuse, appareils fonctionnant au gaz).
7. En cas de débordement, essayez l'essence sur le moteur et sur l'appareil et éliminez les débris souillés. Puis changez ce dernier de place et attendez cinq minutes avant de redémarrer le moteur.
8. Pour limiter les risques d'incendie, retirez les brins d'herbe, feuilles et autres débris accumulés sur le moteur. Suivez les instructions de la section Entretien de l'appareil après son utilisation dans le chapitre Entretien du manuel.
9. Cet appareil est conçu pour une utilisation non-professionnelle. Il peut tondre un gazon de 25 centimètres (10 pouces) de haut au maximum. Il n'est pas fait pour tondre les hautes herbes (par ex. dans un pré) ou pour déchiqueter des tas de feuilles mortes. Si des débris végétaux secs s'accumulent sous le plateau de coupe et atteignent le tuyau d'échappement, ils risquent de prendre feu.
10. Ne remplissez pas le réservoir à ras bord : l'essence se dilate en chauffant, alors laissez un espace d'environ un demi-pouce (13 mm) sous le col de remplissage.
11. Veillez à remettre correctement le bouchon du réservoir lorsque vous avez terminé. N'utilisez pas la tondeuse sans bouchon de réservoir d'essence.
12. Laissez refroidir l'appareil pendant au moins cinq minutes avant de le ranger ou de faire le plein.
13. Ne remplissez jamais les bidons à l'intérieur d'un véhicule ou encore à l'arrière d'un camion ou d'une remorque à plancher de plastique. Placez toujours les bidons par terre et loin de votre véhicule pour les remplir.
14. Déchargez l'appareil et faites le plein par terre dans la mesure du possible. Si cela n'est pas possible, faites le plein avec un bidon plutôt que directement du pistolet distributeur.
15. Posez le pistolet du distributeur sur le rebord du réservoir ou du bidon pour faire le plein et ne le bloquez pas en position ouverte.

## REMORQUAGE

1. Les rampes doivent être bien attachées à la remorque lorsque vous chargez ou déchargez la tondeuse.
2. Soyez très prudent lorsque vous chargez ou déchargez l'appareil d'une remorque ou d'un camion. N'allumez pas le moteur pour charger ou décharger plus facilement. Vous risquez de renverser la tondeuse en chutant de la rampe et de vous blesser grièvement. Chargez ou déchargez votre tondeuse moteur éteint.
3. Réglez le plateau de coupe à la position la plus haute.

## REMORQUAGE

1. Ne remorquez pas de charges supérieures à 113 kilogrammes (250 livres). Le poids exercé sur l'attache de remorque ne doit pas dépasser 22 kilogrammes (50 livres).
2. N'attez la remorque qu'au point d'attache prévu à cet effet.
3. Ne laissez personne monter sur l'équipement remorqué, en particulier des enfants.
4. Ne vous engagez pas sur les pentes supérieures à 5° (9 %). Lorsque vous remorquez un équipement sur une pente, la traction des pneus peut être réduite et il est plus facile de perdre le contrôle de la tondeuse.
5. Faites attention, car votre tondeuse à rayon de braquage zéro peut effectuer des virages très serrés. Si vous remorquez un accessoire, vous risquez une mise en portefeuille. Prenez des tournants larges !
6. N'allez pas trop vite et n'attendez pas le dernier moment pour freiner ou vous arrêter.

## ENTRETIEN

1. Gardez la tondeuse en bon état de fonctionnement. Vous devez remplacer les pièces usées ou endommagées avant de vous servir de l'appareil.
2. Un accident grave ou fatal peut résulter d'une modification du moteur, quelle qu'elle soit. Toute modification apportée au régulateur de vitesse peut provoquer l'emballement du moteur et accélérer dangereusement sa vitesse en état de marche. Ne modifiez jamais cet élément et ne faites pas tourner le moteur à une vitesse excessive. Le régulateur maintient le moteur au meilleur régime.
3. Les lames sont très tranchantes et doivent être manipulées prudemment. Enveloppez-les dans un chiffon ou portez des gants.
4. Le liquide des pompes hydrauliques et des systèmes d'alimentation par injection des tracteurs est sous pression. Le liquide hydraulique qui s'échappe sous haute pression peut pénétrer dans la peau et entraîner de graves blessures. Si un tel liquide entre en contact avec votre peau, obtenez immédiatement des soins médicaux. Tenez les mains et toute autre partie du corps éloignées des trous et des buses; le liquide hydraulique peut s'échapper. S'il y a une fuite, faites inspecter l'appareil dans un centre de service agréé.
5. Avant de nettoyer, de réparer ou d'examiner votre tondeuse, vérifiez que les lames et autres pièces mobiles sont à l'arrêt. Arrêtez le moteur, retirez la clé de contact, débranchez le fil de bougie et mettez-le à la masse contre le moteur pour empêcher un démarrage accidentel.

6. Vérifiez régulièrement que les lames sont immobilisées dans les cinq secondes qui suivent le débrayage des lames. Consultez le Programme d'entretien dans la section Entretien de ce manuel. Vérifiez avec un chronomètre. Si ce n'est pas le cas, confiez votre tondeuse à un concessionnaire agréé pour y remédier.
7. Surveillez également le système de verrouillage de sécurité selon le Programme d'entretien dans la section Entretien de ce manuel. Si ce système ne fonctionne plus correctement, faites-le réparer par un centre de service agréé.
8. Ne modifiez jamais le système de verrouillage de sécurité et les autres dispositifs de sécurité et vérifiez régulièrement qu'ils fonctionnent bien.
9. Vérifiez le serrage des lames et des boulons de montage du moteur selon le Programme d'entretien. Pensez à vérifier l'état des lames. Si elles sont émoussées, tordues ou fissurées, remplacez-les par des lames d'origine.
10. Attention : pour obtenir le meilleur de votre tondeuse et éviter les accidents dus à des pièces non conformes aux spécifications du fabricant, remplacez-les par des pièces d'origine.
11. Assurez-vous régulièrement que tous les écrous, boulons et vis sont bien serrés et en bon état. Consultez le Programme d'entretien pour plus d'informations concernant l'entretien de l'appareil.
12. Si vous heurtez un objet, arrêtez immédiatement le moteur, débranchez les fils de bougie et le câble négatif de la batterie pour empêcher un démarrage accidentel. Vérifiez l'état de la tondeuse et ne la redémarrez pas si elle est endommagée.
13. Arrêtez impérativement le moteur avant d'effectuer un réglage ou une réparation.
14. Quand le sac récupérateur ou le couvercle d'éjection sont usés ou cassés, les lames peuvent se trouver exposées, ce qui est dangereux et augmente le risque de blessures à cause de projections. Par mesure de sécurité, vérifiez souvent ces éléments. Si nécessaire, utilisez des pièces d'origine pour les remplacer.
15. Les avertissements figurant sur vos équipements doivent toujours être lisibles. Remplacez-les si ce n'est plus le cas.
16. Respectez la législation sur l'élimination des déchets liquides (essence, huile, etc.) afin de préserver l'environnement.

## AVIS CONCERNANT LES ÉMISSIONS

Les moteurs certifiés conformes aux normes d'émission de la Californie et de l'Agence américaine de protection de l'environnement (EPA) pour équipements hors route (Small Off Road Equipment) sont conçus pour fonctionner à l'essence ordinaire sans plomb et peuvent être dotés des dispositifs antipollution suivants : modification du moteur (EM) et convertisseur catalytique à trois voies (TWC).

Certains modèles sont équipés de conduites et réservoirs à perméation faible pour limiter les émissions par évaporation. En Californie, certains modèles sont équipés d'un réservoir à charbon actif. Si vous désirez savoir de quels dispositifs votre modèle est équipé, contactez notre service de soutien technique.

## PARE-ÉTINCELLES

### AVERTISSEMENT

**Ce tracteur est équipé d'un moteur à combustion interne et ne doit pas être utilisé sur un terrain boisé non entretenu ou sur un terrain couvert de broussailles ou d'herbe à moins que le système d'échappement du moteur ne soit muni d'un pare-étincelles, conformément aux lois et règlements provinciaux ou locaux (le cas échéant).**







L'utilisateur doit maintenir le bon fonctionnement du pare-étincelles, le cas échéant. Dans l'état de la Californie, l'application des énoncés ci-dessus est exigée en vertu de la loi (article 4442, « California Public Resource Code »). Il est possible que d'autres États aient des lois similaires. Les lois fédérales sont en vigueur sur les terres fédérales.

Vous pouvez vous procurer un pare-étincelles pour le silencieux auprès d'un centre de service agréé ou en contactant le service à la clientèle, B. P. 361131, Cleveland, Ohio 44136-0019.

# CONSIGNES DE SÉCURITÉ

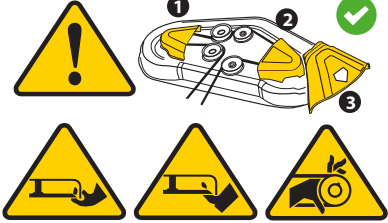

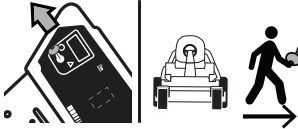
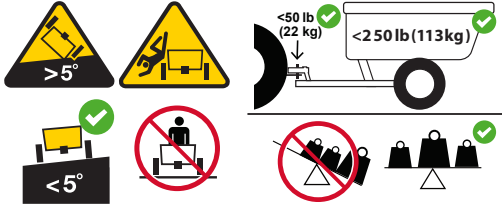

## SIGNIFICATION DES SYMBOLES

Vous trouverez ci-dessous les symboles de sécurité qui peuvent se trouver sur votre appareil.

Symbole	Description
 <p>OPESymbol.com</p>	<p><b>AVERTISSEMENT - LISEZ LE(S) MANUEL(S) DE L'UTILISATEUR</b> - Veuillez lire toutes les consignes de sécurité et toutes les instructions de ce manuel avant d'utiliser l'appareil afin d'écartier tout risque d'accident et de blessure. Conservez ce manuel pour pouvoir le relire ou commander des pièces de rechange. Balayez le code QR avec un téléphone pour avoir plus d'informations sur les avertissements. Le site web <a href="http://www.OPESymbol.com">www.OPESymbol.com</a> offre aussi des renseignements à ce sujet.</p>
	<p><b>AVERTISSEMENT - RISQUE D'OBJETS PROJÉTÉS</b> - Ne permettez à personne de s'approcher à moins de 23 mètres (75 pieds) de l'appareil en marche. Ramassez les pierres, brindilles, fils, os, jouets et autres objets qui pourraient être projetés ou sur lesquels vous pourriez trébucher. Il est dangereux d'utiliser une tondeuse ou un tracteur sans son déflecteur d'éjection ou le sac à herbe complet.</p>
	<p><b>AVERTISSEMENT - RISQUE D'ÉCRASEMENT OU DE LAME TRANCHANTE</b> - Avant de reculer, retournez-vous pour bien vérifier qu'il n'y a personne derrière la tondeuse. Ne laissez pas les enfants monter sur l'appareil lorsque le moteur est en marche, même si les lames sont débrayées, les personnes à proximité, les enfants ou les animaux de compagnie doivent être sous la surveillance d'un adulte autre que l'utilisateur de l'appareil et doivent rester à l'intérieur. Coupez le moteur dès que quelqu'un s'approche.</p>
	<p><b>AVERTISSEMENT - RISQUE DE RENVERSEMENT</b> - N'utilisez pas la tondeuse sur une pente supérieure à 20° (35 %). Ne tondez pas en montant ou en descendant des pentes; tondez seulement des pentes inférieures à 20° (35 %). Tondez lentement et ne tournez pas brusquement. Ne vous approchez pas à moins de 3 mètres (10 pieds) des rebords surélevés, des fossés, des remblais ou des rives.</p>
	<p><b>AVERTISSEMENT - RISQUE D'INCENDIE</b> - Cet appareil est conçu pour une utilisation non-professionnelle. Il peut tondre un gazon de 25 cm (10 pouces) de haut au maximum. Il n'est pas fait pour tondre les hautes herbes (par ex. dans un pré) ou pour déchiqeter des tas de feuilles mortes. Laissez l'appareil refroidir pendant au moins cinq minutes avant de faire le plein ou de le remiser.</p>
	<p><b>AVERTISSEMENT - RISQUE D'AMPUTATION</b> - N'approchez pas les pieds ou les mains ni des lames, ni du dessous du plateau de coupe : vous pourriez vous blesser grièvement, au point de devoir subir une amputation.</p>



# CONSIGNES DE SÉCURITÉ

Symbole	Description
	<p><b>AVERTISSEMENT - RISQUE D'AMPUTATION -</b> N'approchez pas les pieds ou les mains ni des pièces rotatives, ni du dessous du plateau de coupe : vous pourriez vous blesser grièvement, au point de devoir subir une amputation. Maintenez les dispositifs de sécurité (protections, interrupteurs, etc.) en place et en bon état de fonctionnement. Vous pourriez vous blesser avec les courroies et la fusée de la lame.</p>
	<p><b>AVERTISSEMENT - RISQUE DE BLESSURE PAR ÉCRASEMENT OU PAR PINCEMENT -</b> Veuillez lire toutes les consignes de sécurité et toutes les instructions de ce manuel avant d'utiliser l'appareil. Le système de relevage est doté d'un ressort qui est sous tension. Placez ce système de relevage à la position verrouillée avant de retirer le plateau de coupe.</p>
	<p><b>AVERTISSEMENT - RETRAIT DE LA CLÉ DE CONTACT</b> - Avant de descendre de l'appareil, débrayez les lames, placez les pédales de déplacement à la position neutre, coupez le moteur et retirez la clé de contact. Arrêtez le moteur et retirez la clé de contact si vous laissez l'appareil sans surveillance.</p>
	<p><b>AVERTISSEMENT - RISQUE DE BLESSURES PENDANT LE REMORQUAGE -</b> Ne remorquez pas de charges supérieures à 113 kg (250 lb). Le poids exercé sur l'attache de remorque ne doit pas dépasser 22 kg (50 lb). Ne laissez personne monter sur l'équipement remorqué, en particulier des enfants. Ne remorquez pas de charges lourdes sur des pentes supérieures à 5° (9 %). Lorsque vous remorquez un équipement sur une pente, la traction des pneus peut être réduite et il est plus facile de perdre le contrôle de la tondeuse. N'allez pas trop vite et n'attendez pas le dernier moment pour freiner ou vous arrêter.</p>
	<p><b>AVERTISSEMENT - ÉVITER LES BLESSURES OU LA MORT PAR RENVERSEMENT -</b> Maintenez l'arceau de sécurité en position verticale avec votre ceinture de sécurité attachée. Abaissez l'arceau de sécurité et n'attachez pas votre ceinture de sécurité dans les situations de faible dégagement. Relevez l'arceau de sécurité et attachez votre ceinture de sécurité dès que le dégagement le permet.</p>

## ⚠ AVERTISSEMENT

Il est de votre responsabilité de vous assurer que seules des personnes capables de lire, de comprendre et de respecter les consignes de sécurité figurant sur le moteur et dans cette notice utilisent votre appareil. - CONSERVEZ CES INSTRUCTIONS !

**NOTE :** Ce manuel est commun à plusieurs modèles. Les caractéristiques peuvent varier selon le modèle. Certaines caractéristiques décrites dans ce manuel peuvent ne pas s'appliquer à tous les modèles. Votre appareil peut différer du modèle illustré.

**NOTE :** Toutes les mentions de droite, gauche, avant et arrière ne s'entendent qu'à partir du poste de conduite. Les exceptions seront spécifiées, s'il y a lieu.

## PRÉPARATION

### Déplacement manuel de l'appareil

1. Pour engager la tige de dérivation, tirez sur le levier de dérivation des transmissions (a) placé à la droite du siège du conducteur (près du levier du frein de stationnement (b)) et placez-le dans l'encoche à droite de la fente (Figure 1).

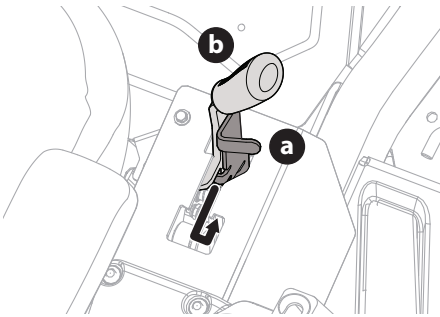


Figure 1

2. Après avoir déplacé l'appareil, effectuez l'étape 1 dans l'ordre inverse pour désengager le levier de dérivation.

### Installation de la plaque d'attelage (le cas échéant)

1. Repérez la plaque d'attelage et installez-la à l'arrière du châssis avec les deux boulons fournis (Figure 2).

**NOTE :** L'attache et les boulons sont dans le sac de quincaillerie.

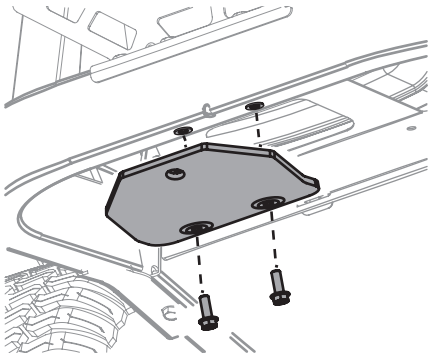


Figure 2

### Structure de protection anti-retournement

La Figure 3 explique les trois (3) positions de la structure de protection anti-retournement qui sont décrites ci-dessous.

- **POSITION DE TRANSPORT :** Placez la structure de protection dans cette position lorsque l'appareil doit être transporté ou lorsque la structure doit être repliée pour ne pas heurter des objets tels que les branches d'arbres, les cordes à linge, les fils de retenue en acier, les poteaux électriques, les édifices, etc.
- **POSITION DE TRANSPORT AVEC BAC RÉCUPÉRATEUR :** Placez la structure de protection dans cette position pour transporter un appareil doté d'un bac récupérateur.
- **POSITION D'UTILISATION :** La structure de protection doit être utilisée dans cette position en tout temps sauf si les circonstances exigent qu'elle soit placée à la position de transport ou celle de transport avec bac récupérateur.

#### Positions de la ROPS

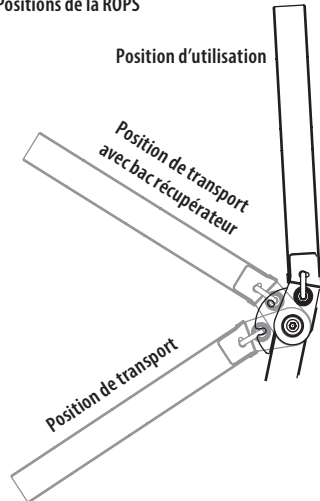


Figure 3

Pour changer la position de la structure de protection :

1. Tirez sur la partie supérieure de la structure de protection anti-retournement pour pouvoir retirer la goupille de verrouillage (a) de la position verrouillée (b). Tournez-la dans la position de réglage (c). Répétez l'opération pour l'autre goupille (Figure 4).

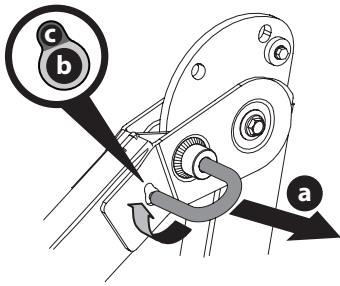


Figure 4

- Placez la structure de protection à la position désirée (Figure 5).

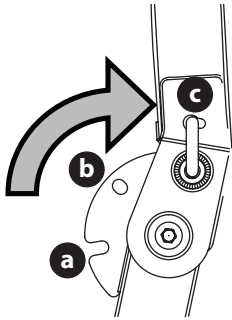


Figure 5

**NOTE :** La structure peut être placée à la position de transport (a), la position de transport avec bac récupérateur (b) ou celle d'utilisation (c) (Figure 5).

- Tournez les goupilles dans la position verrouillée. Relevez légèrement la partie supérieure de la structure de protection anti-retournement jusqu'à ce que les goupilles soient bien enclenchées dans la position verrouillée.

**NOTE :** Voir la broche ROPS correctement installée (entièrement engagée) (Figure 6).

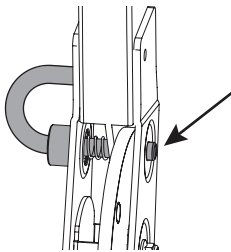


Figure 6

## **⚠ DANGER**

Vérifiez toujours que les goupilles de verrouillage droite et gauche de la structure ROPS sont bien en place et complètement engagées dans la charnière de sorte que chaque goupille de verrouillage soit visible sur la face intérieure. Ne pas verrouiller complètement chaque goupille de verrouillage peut entraîner des blessures graves, voire mortelles.

### **Siège du conducteur**

#### **INSTALLATION DU SIÈGE (SI NÉCESSAIRE)**

- Coupez toutes les courroies de fixation qui fixent le siège à l'appareil. Enlevez le matériel d'emballage.

**NOTE :** Veillez à ne pas couper le faisceau du siège.

- Fixez le siège au support du siège (b) avec les écrous autobloquants à bride (a) (Figure 7).

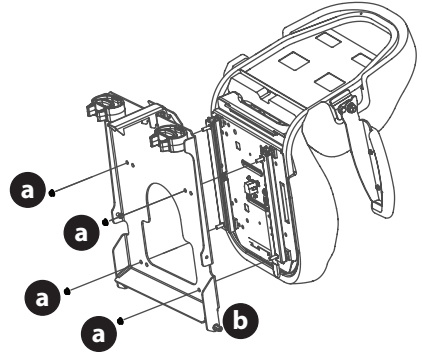


Figure 7

- Si nécessaire, connectez le faisceau de l'interrupteur du siège (a) à l'interrupteur (b) (Figure 8). Placez l'excédent de fil loin des points de pincement.

**NOTE :** Le tracteur ne fonctionnera pas sans le faisceau de câbles de l'interrupteur de siège connecté.

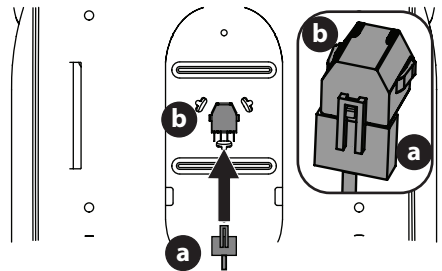


Figure 8

## RÉGLAGE DU SIÈGE À PARTIR DE LA POSITION DE NAVIGATION (SI NÉCESSAIRE)

1. Retirez et jetez le matériel d'emballage, le cas échéant.
2. Retirer les deux vis (un côté droit, un côté gauche) fixant le siège en position de transport (Figure 9).

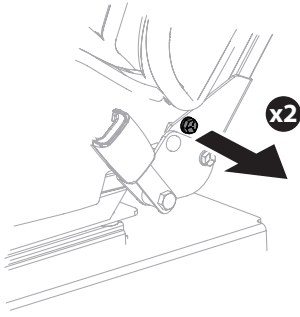


Figure 9

3. Pivotez le siège vers l'avant en position de fonctionnement (Figure 10).



Figure 10

4. Fixer avec deux vis retirées à l'étape 2 (Figure 11).

**NOTE :** Serrer les vis à 8-12 N m (68-102 po-li).

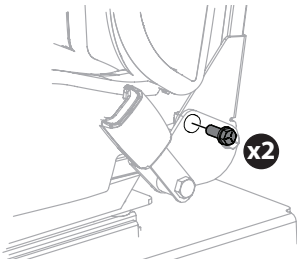


Figure 11

## Volant de direction (le cas échéant)

**IMPORTANT !** N'utilisez pas d'outils de frappe pour installer ou retirer le volant.

1. La quincaillerie qui sert à fixer le volant de direction (a) se trouve sous le couvercle du volant de direction (b). Retirez avec précaution le couvercle. Pour ce faire, insérez un petit tournevis plat dans une des trois languettes et soulevez le capuchon (b) pour retirer la quincaillerie (Figure 12).

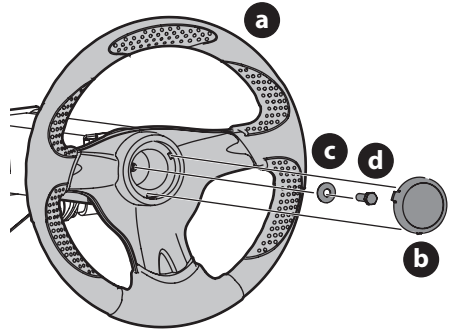


Figure 12

2. Assurez-vous que les roues de l'appareil sont dirigées vers l'avant, puis placez le volant de direction (a) sur l'arbre de direction (Figure 12).
3. Insérez la rondelle Belleville (c), avec la partie creuse vers le bas, dans le volant de direction et fixez-la avec le boulon hexagonal autobloquant (d) (Figure 12).
4. Placez le couvercle du volant de direction (b) au centre du volant de direction (a), alignez les trois languettes avec les pattes du volant et poussez-le jusqu'à ce qu'il s'enclenche (Figure 12).
5. Le siège et la colonne de direction doivent être réglés de façon à ce que la position de l'utilisateur soit comme suit (pour régler le siège, consultez le sous-chapitre Réglage du siège) :
  - a. Lorsque le volant de direction est en position neutre :
    - La partie supérieure des bras de l'utilisateur est détendue et approximativement à la verticale.
    - Les avant-bras de l'utilisateur sont à peu près à l'horizontale.
    - Le dos de l'utilisateur est appuyé contre le dossier du siège.
    - Les jambes de l'utilisateur ne touchent pas la colonne du volant de direction.
6. Vérifiez les résultats de chaque réglage effectué. Répétez toute procédure de réglage comme requis jusqu'à ce que les conditions soient satisfaites.

## Colonne du volant de direction

### INSTALLATION DU CYLINDRE BASCULANT DE VERROUILLAGE (LE CAS ÉCHÉANT)

1. Retirez la quincaillerie du sac contenant le manuel.
2. Installez-vous sur le siège du conducteur.
3. Relevez la colonne de direction avec une main.
4. Tenez-la en position relevée et, de l'autre main, relevez le cylindre en prenant soin d'aligner les trous sur le haut du cylindre avec ceux sur les plaques de montage sous la colonne de direction (Figure 13).

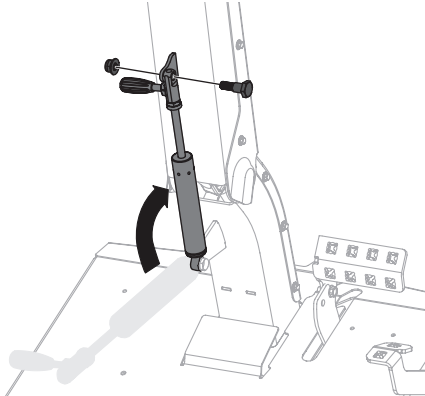


Figure 13

5. Placez, de droite à gauche, la rondelle plate et le boulon à épaulement dans les trous alignés à l'étape 4. Fixez-les avec l'écrou autobloquant à bride. Serrez le boulon à un couple de 14 à 16 N m (de 120 à 144 po-lb) (Figure 13).

### Réglage du volant de direction

1. Pour faire incliner la colonne du volant de direction (a) vers l'avant, tournez le levier de réglage (b), placez la colonne du volant de direction (a) à la position désirée, puis relâchez le levier de réglage (b) pour fixer la colonne du volant de direction (Figure 14).

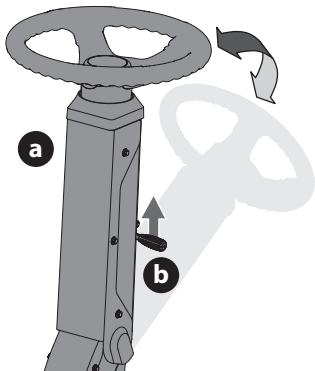


Figure 14

**NOTE :** La colonne de direction remonte lorsque le levier de réglage de la colonne de direction est relevé. Au besoin, appuyez sur le volant de direction pour baisser la colonne de direction.

### Déflecteur de décharge de pont

#### ⚠ AVERTISSEMENT

**Ne jamais utiliser le carter de tondeuse sans le déflecteur de goulotte installé et en position basse.**

1. La goulotte est livrée attachée et avec un support d'arrêt tenant la goulotte en position verticale. Le support d'arrêt doit être retiré avant d'utiliser le tracteur (Figure 15).

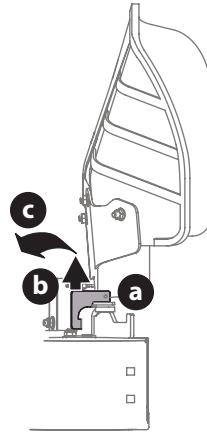


Figure 15

2. En tenant le déflecteur de goulotte complètement vers le haut, retirez le support d'arrêt (Figure 15) :
  - a. Saisissez le support par l'arrière de la goulotte au-dessus du pont.
  - b. Soulevez légèrement pour libérer le support de l'encoche.
  - c. Tirez pour retirer complètement le support.

### Réglage des roues antidégazonnement avant

**NOTE :** Les roues du plateau de coupe préviennent le dégazonnement de la pelouse et ne sont pas conçues pour soutenir le plateau de coupe.

1. Stationnez l'appareil sur une surface plane, préférablement asphaltée.
2. Vérifiez la pression des pneus et réglez-la au besoin. La pression recommandée est indiquée sur le flanc du pneu.
3. Vérifiez que le plateau de coupe est de niveau latéralement et bien ajusté. Consultez le chapitre Entretien pour plus d'informations sur la mise à niveau du plateau de coupe.
4. Placez le levier de relevage du plateau de coupe ou le bouton à la hauteur de coupe désirée.

# PRÉPARATION

5. Vérifiez s'il y a trop de jeu ou de contact entre les roues antidégazonnement avant et le sol.

**NOTE :** Les roues antidégazonnement doivent être de 6,35 mm (1/4 po) à 12,7 mm (1/2 po) au-dessus du sol.

6. Retirez l'écrou autobloquant (a) qui sert à retenir la roue antidégazonnement avant au plateau de coupe. Enlevez la vis à épaulement (b), l'entretoise (c) et la bague (e) pour retirer la roue (d) (Figure 16).

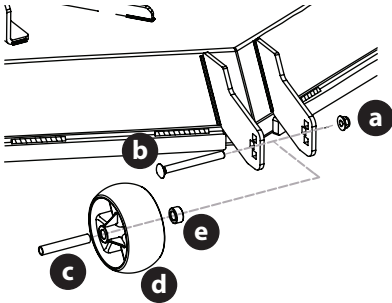


Figure 16

7. Placez l'entretoise au centre de la roue, alignez la roue avec la bague placée sur le côté plus court du moyeu et installez le tout dans les supports à la hauteur désirée.

**NOTE :** Il faut un dégagement de 6,35 mm (1/4 po) à 12,7 mm (1/2 po) entre la roue et le sol.

8. Insérez la vis à épaulement dans le trou approprié du support.

**NOTE :** Pour les roues antidégazonnement latérales, le boulon doit être inséré à partir de l'extérieur de la tondeuse dans le trou carré du support. Pour la roue placée au centre du plateau (si présente), le boulon peut être installé à partir de la gauche ou de la droite (Figure 17).

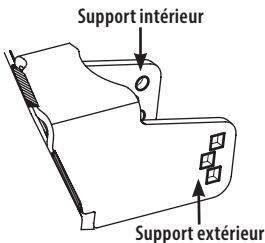


Figure 17

9. Retenez la roue avec l'écrou autobloquant retiré auparavant.

## Informations sur la batterie

### ⚠ AVERTISSEMENT

**AVERTISSEMENT DE LA PROPOSITION 65 DE LA CALIFORNIE :** Les bornes et les cosses de batterie ainsi que les accessoires connexes contiennent du plomb et des composés de plomb, soit des produits chimiques reconnus par l'État de Californie comme cancérigènes et pouvant provoquer des effets nuisibles à la reproduction. Lavez-vous les mains après toute manipulation.

### ⚠ AVERTISSEMENT

En cas d'éclaboussures accidentelles d'électrolyte dans les yeux ou sur la peau, rincez-les immédiatement avec de l'eau propre et froide. Consultez rapidement un médecin.

Si l'électrolyte se répand sur vos vêtements, lavez-les à l'eau froide. Neutralisez ensuite l'électrolyte avec une solution d'ammoniac et d'eau ou une solution de bicarbonate de soude et d'eau.

Ne branchez (et ne débranchez) JAMAIS les pinces du chargeur de batterie lorsque le chargeur est sous tension, car cela peut provoquer des étincelles.

Gardez la batterie loin des flammes et des sources d'étincelles (cigarettes, allumettes, briquets). Les gaz produits pendant la charge sont inflammables.

Par mesure de précaution supplémentaire, chargez toujours la batterie dans un endroit aéré.

Prenez soin de protéger vos yeux, votre peau et vos vêtements lorsque vous manipulez une batterie.

Les batteries contiennent de l'acide sulfurique et peuvent dégager des gaz explosifs. Soyez très prudent lorsque vous manipulez une batterie. Gardez les batteries hors de portée des enfants.

Une mauvaise manipulation de la batterie pourrait causer un incendie ou une brûlure chimique. N'ouvrez pas, ne démontez pas, ne surchauffez pas et ne brûlez pas la batterie.

### ⚠ ATTENTION

Branchez toujours le câble POSITIF (rouge) à sa borne avant de brancher le câble NÉGATIF (noir).

**NOTE :** La borne positive de la batterie est identifiée par POS [+]. La borne négative de la batterie est identifiée par NEG (-).

## Branchement des câbles de batterie

### ⚠ AVERTISSEMENT

Branchez toujours le câble positif (rouge) à la batterie avant de brancher le câble négatif (noir) pour éviter toute formation d'étincelles et toute blessure en cas de court-circuit causé par le contact des outils avec l'appareil.

Aux fins d'expédition, les deux câbles de batterie de votre appareil peuvent avoir été débranchés en usine. Procédez comme suit pour brancher les câbles de la batterie :

**NOTE :** Le faisceau électrique doit être placé au-dessus de la barre de retenue de la batterie. Autrement, il risque d'être endommagé (Figure 21 à la page 88).

### MODÈLES DOTÉS D'UNE BATTERIE AU PLOMB

1. Retirez le protecteur en plastique, le cas échéant, de la borne positive. Connectez le raccord rouge à la borne positive [+]  
avec un boulon (a) et un écrou (b) (Figure 18).

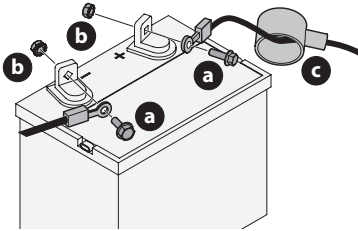


Figure 18

2. Remplacez le capuchon rouge en caoutchouc (c) sur la borne positive [+] de la batterie pour la protéger contre la corrosion (Figure 18).
3. Retirez le protecteur en plastique, le cas échéant, de la borne négative de la batterie et fixez le câble noir à la borne négative (-) avec un boulon (a) et un écrou (b) (Figure 18).

**NOTE :** Si la batterie est mise en service après la date indiquée sur le dessus ou sur le côté de la batterie, rechargez-la selon les instructions du chapitre Recharge de la batterie de ce manuel avant d'utiliser l'appareil.

### MODÈLES DOTÉS D'UNE BATTERIE AGM

1. Retirez les boulons hexagonaux (a) et les écrous carrés (b) situés à l'extrémité du faisceau de fils électrique ou dans le sac avec ce manuel. Gardez la quincaillerie pour utilisation ultérieure (Figure 19).

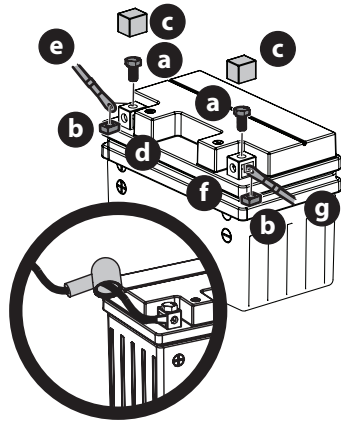


Figure 19

2. Enlevez le couvercle en plastique (c), si équipé, de la borne positive (d) de la batterie et attachez le câble rouge (e) à la borne positive (d) de la batterie avec le boulon (a) et l'écrou carré (b) retirés à l'étape 1. Utiliser un tournevis Phillips (Figure 19).
3. Placez la gaine en caoutchouc rouge au-dessus de la borne positive de la batterie pour aider à la protéger contre la corrosion. Voir l'encadré dans Figure 19.
4. Enlevez le couvercle en plastique (c), si équipé, de la borne négative de la batterie (f) et attachez le câble noir (g) à la borne négative de la batterie (f) avec le boulon (a) et l'écrou carré (b) (Figure 19).

**NOTE :** Si la batterie est mise en service après la date indiquée sur le dessus ou sur le côté de la batterie, rechargez-la selon les instructions du chapitre Recharge de la batterie de ce manuel avant d'utiliser l'appareil.

### ENTRETIEN DE LA BATTERIE

- Certaines batteries sont remplies d'électrolyte et scellées à l'usine. Cependant, même une batterie « sans entretien » demande un peu d'entretien de temps à autre pour assurer son cycle de vie complet.

# PRÉPARATION

- Vaporisez les bornes et les fils exposés avec un scellant approprié ou appliquez une mince couche de graisse ou de gelée de pétrole sur les bornes pour les protéger contre la corrosion.
- Assurez-vous que les câbles et les bornes de la batterie sont toujours propres et non corrodés.
- Certains modèles sont équipés d'une batterie à électrolyte liquide. Manipulez la batterie avec soin et ne la renversez pas pour empêcher une fuite de liquide.

## REMISAGE DE LA BATTERIE

- Lorsque vous remisez l'appareil pour une longue période, débranchez le câble négatif de la batterie. Il n'est pas nécessaire de retirer la batterie.
- Toutes les batteries se déchargent pendant le remisage. Gardez l'extérieur de la batterie (surtout la partie supérieure) propre. Une batterie sale se décharge plus rapidement.
- La batterie doit être complètement chargée avant d'être remise. Une batterie déchargée gèle plus rapidement qu'une batterie chargée. Une batterie complètement chargée se conserve plus longtemps à des températures basses qu'à des températures élevées.
- Rechargez la batterie avant de vous en servir. L'appareil peut démarrer, mais le système de charge du moteur peut ne pas recharger la batterie complètement.

## Démontage de la batterie

### AVERTISSEMENT

Les bornes et les cosses de batterie ainsi que les accessoires connexes contiennent du plomb et des composés de plomb. Lavez-vous les mains après toute manipulation.

La batterie est située sous le châssis du siège. Pour retirer la batterie :

### MODÈLES DOTÉS D'UNE BATTERIE AU PLOMB

1. Retirez la vis d'assemblage à tête hexagonale et l'écrou à bride fixant le câble négatif noir au plot négatif de la batterie (marqué NEG [-]). Éloignez le câble du plot négatif de la batterie.
2. Retirez la vis d'assemblage à tête hexagonale et l'écrou à bride fixant le câble positif rouge au plot positif de la batterie (marqué POS [+]).
3. Retirez la vis à bride hexagonale (a) fixant le support de fixation de la batterie (b) au châssis. Relevez ensuite le support de fixation de la batterie (b) pour dégager la batterie (Figure 20).

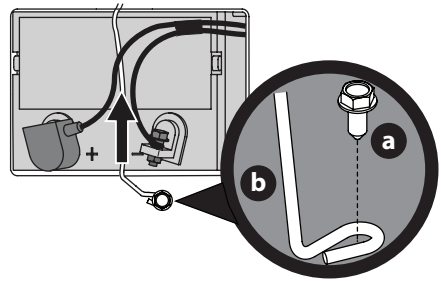


Figure 20

4. Retirez la batterie du tracteur en la soulevant prudemment.
5. Reposez la batterie en répétant les étapes précédentes dans l'ordre inverse.

### MODÈLES DOTÉS D'UNE BATTERIE AGM

1. Retirez le boulon et l'écrou qui fixent le câble négatif (noir) à la borne négative (indiquée NEG [-]). Placez le câble loin de la borne négative.
2. Retirez le boulon et l'écrou qui fixent le câble positif (rouge) à la borne positive de la batterie (indiquée POS [+]).
3. Retirez le boulon hexagonal (a) qui fixe la tige de retenue de la batterie (b) au châssis. Faites pivoter la tige de retenue de la batterie (b) vers le haut et retirez la batterie (Figure 21).

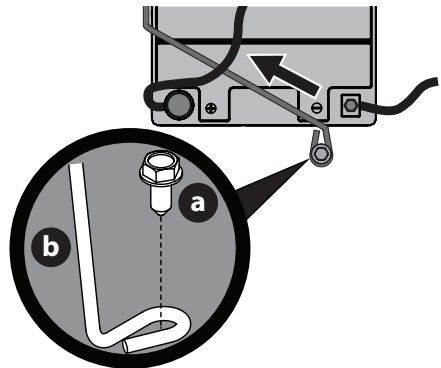


Figure 21

4. Enlevez la batterie avec précaution.
5. Pour installer la batterie, suivez les étapes ci-dessus dans l'ordre inverse.



## Recharge de la batterie

Si l'appareil a été remis pendant une longue période, vérifiez la batterie et rechargez-la au besoin.

### MODÈLES DOTÉS D'UNE BATTERIE AU PLOMB

- Si le voltmètre, ou le testeur de charge, indique 12,4 V (DC) ou moins aux bornes de batterie, la batterie doit être rechargée.
- Vous devez utiliser un chargeur pour batterie au plomb. Le niveau de charge recommandé est de 4 A / 14,7 V.
- Si le chargeur est automatique, chargez la batterie jusqu'à ce que l'indicateur du chargeur indique que la batterie est complètement chargée. Si le chargeur n'est pas automatique, chargez la batterie pendant au moins huit (8) heures.

### MODÈLES DOTÉS D'UNE BATTERIE AGM

- Vous devez utiliser un chargeur pour batterie AGM. Le niveau de charge recommandé est de 1,1 A / 14,8 V.

**IMPORTANT!** N'utilisez pas de chargeur pour automobile.

- Si le chargeur est automatique, chargez la batterie jusqu'à ce que l'indicateur du chargeur indique que la batterie est complètement chargée. Si le chargeur n'est pas automatique, chargez la batterie pendant au moins huit (8) heures.

## Utilisation du loquet de siège

1. Placez les pédales de conduite en position neutre et serrez le frein de stationnement.
2. Localisez le loquet du siège à l'arrière du siège.
3. Appuyez sur les languettes avant pour dégager le loquet du siège.
4. Faites pivoter tout le plateau du siège vers le haut (Figure 22).

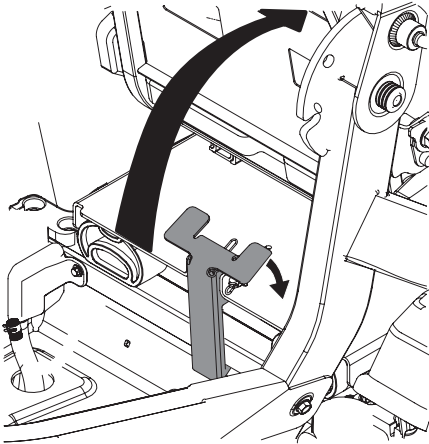


Figure 22

## Réglage du siège

1. Poussez le levier à gauche et tenez-le pour régler la position du siège.
2. Glissez le siège vers l'avant ou vers l'arrière à la position désirée.
3. Relâchez le levier. Assurez-vous que le siège est bien dans la bonne position et bloqué avant d'utiliser l'appareil (Figure 23).

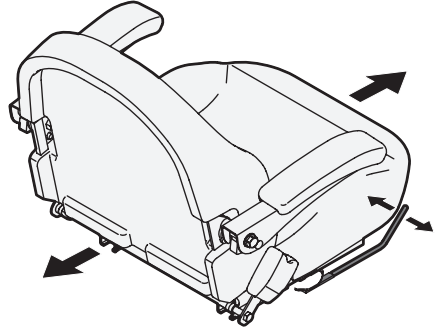


Figure 23

## Réglage du mécanisme de suspension mécanique (modèles ZTXS6)

Le mécanisme de suspension mécanique (le cas échéant) comprend des commandes de réglage poids / manœuvre pour les opérateurs dans la plage de poids allant de 125 à 275 livres (57-124 kg). Tournez le bouton situé à l'avant du siège dans le sens des aiguilles d'une montre pour augmenter la capacité de poids et dans le sens des aiguilles d'une montre pour diminuer (Figure 24).

**NOTE :** La base du siège doit être sécurisée par le loquet, sinon le siège pourrait basculer vers l'avant. Le capteur de présence de l'opérateur doit être connecté au faisceau de câbles électriques.



Figure 24

\*Le cas échéant

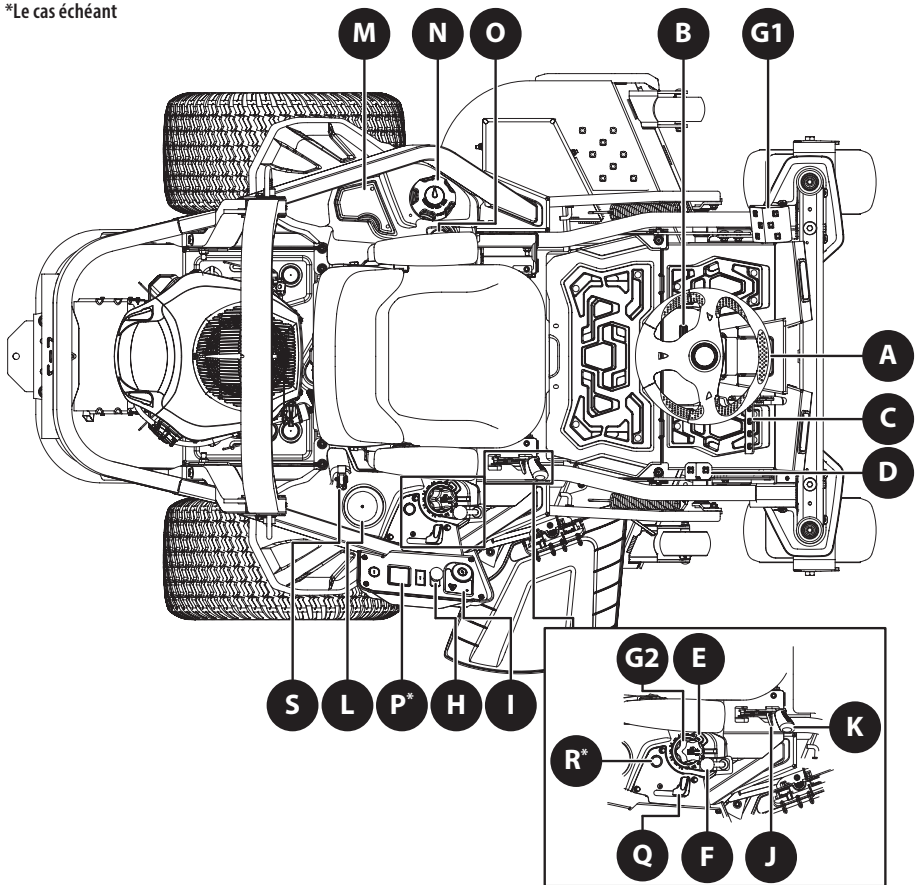


Figure 25

**NOTE :** Ce manuel est commun à plusieurs modèles. Les caractéristiques peuvent varier selon le modèle. Certaines caractéristiques décrites dans ce manuel peuvent ne pas s'appliquer à tous les modèles. Votre appareil peut différer du modèle illustré.

**NOTE :** Toutes les mentions de droite, gauche, avant et arrière s'entendent à partir du poste de conduite. Les exceptions seront spécifiées, s'il y a lieu.

## A. VOLANT DE DIRECTION

Le volant de direction sert à contrôler la direction de la tondeuse.

## B. LEVIER DE RÉGLAGE DE LA COLONNE DU VOLANT DE DIRECTION

Le levier de réglage de la colonne du volant de direction se trouve sur le côté gauche de la colonne du volant de direction. Pour ajuster la colonne du volant de direction, tirez sur le levier de réglage de la colonne de direction pendant que vous placez le volant de direction dans la position désirée. Relâchez le levier de réglage pour maintenir le volant dans la position voulue.



## C. PÉDALE DE MARCHÉ AVANT

La pédale de marche avant est située sur le côté droit du tracteur, à droite de la colonne du volant. Appuyez sur la pédale de marche avant pour faire avancer l'appareil. La pédale de marche avant contrôle également la vitesse de déplacement. Plus vous appuyez sur la pédale, plus l'appareil se déplace rapidement. La pédale revient à sa position initiale (neutre) lorsqu'elle est relâchée.



## D. PÉDALE DE MARCHÉ ARRIÈRE

La pédale de marche arrière est située du côté droit du tracteur, le long du marchepied. La pédale de marche arrière contrôle également la vitesse de déplacement. Plus vous appuyez sur la pédale, plus l'appareil se déplace rapidement. La pédale revient à sa position initiale (neutre) lorsqu'elle est relâchée.



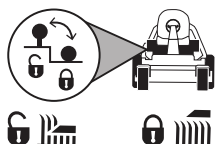
## E. BARRE DE RÉGLAGE DE LA HAUTEUR DU PLATEAU DE COUPE

Il y a un écart de 6,35 mm (1/4 po) entre chaque trou. La hauteur est de 2,5 cm (1 po) lorsque le plateau est placé au trou le plus bas et de 12 cm (4-3/4 po) au trou le plus haut.

## F. LEVIER DE VERROUILLAGE DU PLATEAU DE COUPE

Placez le levier de relevage du plateau au-dessus de la position de tonte la plus haute pour verrouiller le plateau de coupe dans la position de transport.

Pour verrouiller le plateau, appuyez sur la pédale de relevage et placez le bouton en position arrière. Pour déverrouiller le plateau et le placer à la position de coupe appropriée, appuyez sur la pédale de relevage et placez le bouton en position avant.



## G. MANCHE DE LEVAGE DU PLATEAU DE COUPE

**1. Pédale de relevage du plateau de coupe** - La pédale de relevage est située à l'avant gauche du marchepied. Utilisez cette pédale et le bouton de réglage pour relever et abaisser le plateau de coupe. Pressez sur la pédale, tournez le bouton à la hauteur de coupe désirée et relâchez la pédale.

**2. Bouton de réglage du plateau de coupe** - Utilisez ce bouton et la pédale de relevage pour relever et abaisser le plateau de coupe. Pressez sur la pédale, tournez le bouton à la hauteur de coupe désirée et relâchez la pédale.

## H. BOUTON DE LA PRISE DE FORCE

Le bouton de la prise de force permet d'embrayer la prise de force électrique qui est installée à la base du vilebrequin du moteur. Tirez le bouton pour embrayer la prise de force ou pressez le bouton pour la débrayer.

Le bouton de la prise de force doit se trouver à la position désengagée (OFF) au démarrage.



## I. COMMUTATEUR D'ALLUMAGE

### ⚠ AVERTISSEMENT

**Ne laissez jamais votre appareil en marche sans surveillance. Débrayez toujours la prise de force, engagez le frein de stationnement, arrêtez le moteur et retirez la clé de contact pour empêcher tout démarrage accidentel.**

Les trois positions du commutateur d'allumage sont :

**ARRÊT (STOP)** — Le moteur est arrêté et le système électrique est hors circuit.

**MARCHE (RUN)** — Le système électrique de l'appareil est sous tension.

**DÉMARRAGE (START)** — Le démarreur fait tourner le moteur. Relâchez la clé lorsque le moteur démarre.

**NOTE :** Retirez la clé de contact lorsque vous n'utilisez pas l'appareil pour éviter un démarrage accidentel ou la décharge de la batterie.

## J. LEVIER DE DÉRIVATION DES TRANSMISSIONS

Le levier de dérivation des transmissions se trouve à droite du siège du conducteur, près du levier du frein de stationnement. Lorsqu'elle est engagée, le levier ouvre la soupape de dérivation dans la transmission hydrostatique, permettant ainsi de déplacer l'appareil manuellement sur de courtes distances. Consultez le chapitre Préparation pour plus d'informations.



### ⚠ ATTENTION

**Ne remorquez jamais votre appareil. Le remorquage de l'appareil avec les roues arrière au sol peut gravement endommager la transmission.**

## K. LEVIER DU FREIN DE STATIONNEMENT

Le levier du frein de stationnement se trouve à droite du siège du conducteur, près du levier de dérivation des transmissions. Utilisez cette pédale lorsque l'appareil est immobilisé pour engager le frein de stationnement. Consultez le chapitre Utilisation de ce manuel pour plus d'instructions sur l'utilisation du levier du frein de stationnement.



**NOTE :** Engagez toujours le frein de stationnement lorsque vous quittez le poste de conduite pendant que le moteur tourne, sinon le moteur s'arrêtera automatiquement.

## L. PORTE-GOBELET

Le porte-gobelet est placé sur la partie supérieure de l'aile.

## M. BAC DE RANGEMENT

Le bac de rangement est situé à gauche du siège de l'opérateur.

## N. BOUCHON DE RÉSERVOIR D'ESSENCE

Tournez le bouchon d'environ un quart de tour et tirez-le vers le haut pour le retirer. Le bouchon est attaché à l'appareil pour qu'il ne se perde pas. Ne détachez pas le bouchon du réservoir. Remplissez le réservoir jusqu'à 12,7 mm (1/2 po) sous la base du col de remplissage pour laisser assez d'espace pour l'expansion de l'essence. Ne faites pas déborder le réservoir d'essence.

Pour replacer le bouchon, pressez sur le bouchon et tournez-le vers la droite jusqu'à ce qu'il y ait au moins deux déclics. Resserez bien le bouchon après l'avoir retiré.

## ⚠ AVERTISSEMENT

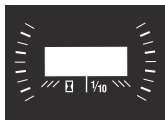
Ne faites jamais le plein lorsque le moteur est en marche. Si le moteur est chaud, attendez qu'il refroidisse pendant au moins cinq minutes avant de faire le plein. L'essence est inflammable et ses éclaboussures sur un moteur chaud risquent de provoquer un incendie.


## O. JAUGE DE CARBURANT

La jauge est placée à la gauche du siège et sert à mesurer le niveau d'essence dans le réservoir.

## P. ÉCRAN DE RAPPELS D'ENTRETIEN ET COMPTEUR D'HEURES (LE CAS ÉCHÉANT)

Le rappel de service d'entretien ACL rappellera à l'opérateur les intervalles de maintenance pour la vidange de l'huile moteur, l'entretien du filtre à air, les avertissements de bas niveau d'huile moteur et de batterie. Lorsque la clé quitte la position d'arrêt (STOP), mais qu'elle n'est pas en position de marche (START), le compteur de service et l'indicateur de service ACL affichent brièvement la tension de la batterie, suivie des heures accumulées par le tracteur.



**NOTE :** Lorsque la clé de contact est déplacée de la position ARRÊT (STOP), le compteur d'heures enregistre la durée d'utilisation (le sablier  est activé), même si le moteur n'a pas été démarré.

## Changement d'huile

Lorsqu'un changement d'huile est nécessaire, l'écran ACL affichera les lettres « CHG », « OIL » (huile) et « SOON » (bientôt), puis le nombre d'heures d'utilisation. L'affichage des lettres « CHG / OIL / SOON » et du nombre d'heures d'utilisation sera alterné sur l'écran pendant 7 minutes quand le compteur d'heures atteindra 50 heures d'utilisation. Le rappel de changement d'huile s'affiche toutes les 50 heures d'utilisation. Changez l'huile à moteur dans le délai indiqué, selon les instructions de la notice d'utilisation du moteur.

## Niveau d'huile bas

**NOTE :** La fonction « Pression d'huile basse » n'est disponible que si le moteur est équipé d'un interrupteur de pression d'huile.

Si la pression d'huile du moteur est basse, l'écran ACL affichera les lettres « LO » et « OIL » (huile), puis le nombre d'heures d'utilisation. Ceci est normal lors du démarrage du moteur. Après le démarrage, le témoin restera allumé jusqu'à ce que le moteur produise assez de pression. Si le moteur a fonctionné à plein régime pendant quelques minutes et le témoin demeure allumé, arrêtez l'appareil immédiatement. Vérifiez le niveau d'huile selon les instructions dans la notice d'utilisation du moteur. Si le témoin demeure allumé tandis que le niveau d'huile est correct, contactez un centre de service agréé.

## Batterie faible

Au démarrage, l'écran ACL affiche brièvement la tension de la batterie, puis le nombre d'heures d'utilisation. Si la batterie est faible, l'écran affichera les lettres « LO » et « BATT », puis le nombre d'heures d'utilisation. Les lettres « LO / BATT » et le nombre d'heures d'utilisation apparaîtront sur l'écran si la tension est inférieure à 11,5 volts. La tension de la batterie est 11 volts si la batterie n'est pas assez chargée ou si le système de charge du moteur ne produit pas assez d'ampérage. Rechargez la batterie selon les instructions du chapitre Préparation de ce manuel ou visitez votre centre de service pour faire vérifier le système de charge.

## Vérification du filtre à air

Lorsqu'un changement d'huile est nécessaire, l'écran ACL affichera les lettres « CLN », « AIR » et « FILT », puis le nombre d'heures d'utilisation de l'appareil. L'affichage des lettres « CLN / AIR / FILT » et du nombre d'heures d'utilisation sera alterné sur l'écran pendant 7 minutes quand le compteur d'heures atteindra 25 heures d'utilisation. Le rappel d'entretien du filtre à air s'affiche toutes les 25 heures d'utilisation. Lorsque le rappel d'entretien du filtre à air coïncide avec celui du changement d'huile, l'écran affiche d'abord le rappel de changement d'huile, puis celui du filtre à air.

## Q. LEVIER D'ACCÉLÉRATEUR OU LEVIER D'ACCÉLÉRATEUR/D'ÉTRANGLEUR

**NOTE :** Le régime du moteur sera maintenu selon le réglage choisi.

### Levier d'accélérateur (le cas échéant)

Déplacez le levier d'accélérateur



vers l'avant pour

augmenter la vitesse. L'appareil est conçu pour fonctionner avec le levier d'accélérateur à la position RAPIDE (plein régime) lorsque l'appareil avance et le plateau de coupe est engagé.

Déplacez le levier vers l'arrière pour réduire le régime du moteur.

### Levier d'accélérateur/d'étrangleur (le cas échéant)

Déplacez le levier



d'accélérateur/

d'étrangleur vers l'avant pour augmenter la vitesse. L'appareil est conçu pour fonctionner avec le levier d'accélérateur à la position RAPIDE (plein régime) lorsque l'appareil avance et le plateau de coupe est engagé. Déplacez ce levier l'arrière pour réduire le régime du moteur. Au démarrage, poussez le levier à fond vers l'avant à la position ÉTRANGLEUR (CHOKE). Lorsque le moteur est en marche, déplacez le levier vers l'arrière jusqu'à ce qu'il ait passé le point de friction. Ce levier n'est pas utilisé pour contrôler la vitesse de l'appareil, il doit être maintenu à la position Rapide lorsque les lames sont embrayées.

## R. COMMANDE D'ÉTRANGLEUR (LE CAS ÉCHÉANT)

Cette commande sert à contrôler le degré d'ouverture du papillon d'étrangleur. Tirez le bouton pour actionner l'étrangleur ou pressez le bouton pour désactiver l'étrangleur.



## S. OUTIL MULTIFONCTION

L'outil multifonction se trouve derrière l'aile droite. Cet outil peut être utilisé comme levier de verrouillage du plateau de coupe ou de débrayement avec l'embout de 1/2 po. Consultez le chapitre Entretien pour plus de renseignements

## PHARES (NON ILLUSTRÉ)

Les phares se trouvent sur le devant du châssis. Ils s'allument lorsque la clé de contact est déplacée de la position ARRÊT (STOP). Les phares s'éteignent lorsque la clé de contact est tournée à la position ARRÊT (STOP).

## LEVIER DE RÉGLAGE DU SIÈGE (NON ILLUSTRÉ)

Le levier de réglage du siège est situé sous le siège. Il permet de déplacer le siège du conducteur vers l'avant ou vers l'arrière. Consultez le chapitre Préparation pour plus d'informations sur le réglage du siège.

## UTILISATION

### Avant d'utiliser votre appareil

- Avant d'utiliser l'appareil, consultez la section Entretien de ce manuel pour les renseignements sur son entretien courant.
- Le moteur est conçu pour fonctionner avec de l'essence propre, fraîche et sans plomb. Utilisez de l'essence propre, fraîche, sans plomb, avec un indice d'octane de 87 ou plus.
- N'utilisez pas de l'essence de la saison précédente pour réduire la formation de dépôts dans le système d'alimentation.
- L'essence-alcool (comprenant jusqu'à 10 % d'alcool éthylique et 90 % d'essence sans plomb en volume) est un carburant approuvé. Les autres mélanges d'essence et d'alcool ne sont pas approuvés.
- Les mélanges de méthyl tert-butyl éther (MTBE) et d'essence sans plomb (jusqu'à un maximum de 15 % de MTBE en volume) sont approuvés. Les autres mélanges d'alcool et d'éther ne sont pas approuvés.

### Système de verrouillage de sécurité

#### ⚠ AVERTISSEMENT

**N'utilisez pas l'appareil si un composant du système de verrouillage est défectueux. Ce système a été conçu pour votre sécurité et votre protection.**

Cet appareil est équipé d'un système de verrouillage de sécurité pour assurer la protection de l'utilisateur. Si ce système ne fonctionne pas correctement, n'utilisez pas l'appareil. Contactez un centre de service agréé.

- Le système de verrouillage de sécurité empêche le démarrage du moteur si le frein de stationnement n'est pas engagé ou si le levier de la prise de force n'est pas à la position débrayée.
- Le moteur s'arrête automatiquement si le conducteur se lève sans serrer le frein de stationnement.
- Le moteur s'arrête automatiquement si le conducteur quitte le poste de conduite quand l'interrupteur de la prise de force est à la position embrayée, que le frein de stationnement soit engagé ou non.

### VÉRIFICATION DES CIRCUITS DU SYSTÈME DE SÉCURITÉ

Vérifiez régulièrement le bon fonctionnement des circuits du système de sécurité. Si un circuit ne fonctionne pas comme prévu, adressez-vous à un centre de service pour faire inspecter l'appareil. N'utilisez PAS l'appareil si un circuit du système de sécurité ne fonctionne pas correctement. Procédez comme suit pour vérifier les circuits de sécurité :

1. Embrayez la prise de force. Tournez brièvement la clé de contact à la position de démarrage. Le moteur ne devrait pas démarrer.
2. Pendant que le moteur est en marche, placez les deux pédales de déplacement à la position neutre, puis soulevez-vous du siège du conducteur. Le moteur doit s'arrêter.

- Assurez-vous que les deux pédales de déplacement sont à la position neutre et que le frein de stationnement est engagé, puis embrayez la prise de force. Soulevez-vous du siège du conducteur. Le moteur devrait s'arrêter.

## Démarrage du moteur

### ⚠ AVERTISSEMENT

Cet appareil est équipé d'un système de verrouillage de sécurité pour assurer la protection de l'utilisateur. N'utilisez pas l'appareil si un composant du système de verrouillage est défectueux. Vérifiez régulièrement le bon fonctionnement du système de verrouillage de sécurité.

### ⚠ ATTENTION

L'utilisateur doit être assis pour démarrer le moteur.

**NOTE :** Consultez la notice d'utilisation du moteur pour plus d'instructions pour remplir le réservoir d'essence.

- L'utilisateur doit être assis sur le siège de l'appareil.
- Pour actionner le frein de stationnement, placez les pédales de déplacement à la position neutre, tirez le levier du frein de stationnement vers la droite de la position arrêté (« off ») (a) et tirez le levier vers l'arrière jusqu'à ce qu'il s'enclenche à la position de marche (« on ») (b) (Figure 26).

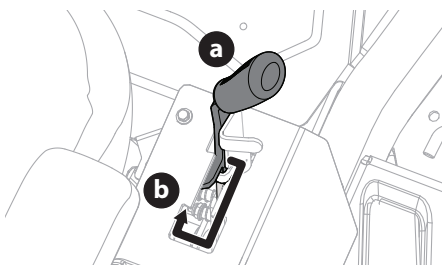


Figure 26

- Assurez-vous que la prise de force est débrayée.
- Placez le levier d'accélération à mi-chemin entre la position LENTE et la position RAPIDE.
- Tirez le bouton d'étrangleur pour actionner l'étrangleur (sur certains modèles).

**NOTE :** Il n'est pas nécessaire d'étrangler le moteur s'il est déjà chaud.

- Tournez la clé de contact vers la droite à la position de démarrage. Relâchez la clé dès que le moteur démarre. La clé retournera automatiquement à la position de tonte normale.

### ⚠ ATTENTION

NE tenez PAS la clé dans la position de démarrage pendant plus de dix secondes à la fois car cela risque d'endommager le démarreur électrique du moteur.

- Pendant que le moteur est en marche, tirez graduellement le levier d'accélérateur/d'étrangleur vers l'arrière, au-delà du point de friction de l'étrangleur. Pour les modèles équipés d'un bouton d'étrangleur, poussez lentement le bouton d'étrangleur vers le bas. N'utilisez pas l'étrangleur pour enrichir le mélange de carburant. Utilisez l'étrangleur au besoin pour faire démarrer le moteur.
- Laissez le moteur en marche à mi-régime pendant quelques minutes avant d'appliquer une charge.
- Vérifiez l'écran de rappels d'entretien. Si l'écran indique que le niveau d'huile est bas ou que la batterie est faible, arrêtez immédiatement le moteur. Faites vérifier votre appareil dans un centre de service agréé.

## Démarrage par temps froid

Pour démarrer le moteur lorsque la température est près ou au-dessous du point de congélation, utilisez une huile à moteur qui présente la viscosité appropriée et vérifiez que la batterie est complètement chargée. Démarrez le moteur comme suit :

- Assurez-vous que la batterie est en bon état. Une batterie réchauffée a une plus grande capacité de démarrage qu'une batterie froide.
- Utilisez de l'essence fraîche, appropriée pour l'hiver. L'essence pour l'hiver est plus volatile pour faciliter le démarrage. N'utilisez pas l'essence de la saison précédente.
- Pour démarrer le moteur, suivez les instructions du sous-chapitre Démarrage du moteur.

## Démarrage du moteur avec des câbles de démarrage

### ⚠ AVERTISSEMENT

Les batteries contiennent de l'acide sulfurique et peuvent dégager des gaz explosifs. Assurez-vous que la zone de travail est bien aérée, portez des gants et des lunettes de protection et évitez de produire des flammes et des étincelles près de la batterie.

Si la charge de la batterie est insuffisante pour démarrer le moteur, rechargez la batterie. Si vous n'avez pas de chargeur de batterie, utilisez une batterie d'appoint pour démarrer le moteur. Branchez la batterie d'appoint comme suit :

- Branchez une extrémité du câble à la borne positive de la batterie déchargée, puis l'autre extrémité à la borne positive de la batterie d'appoint.
- Branchez une extrémité du câble à la borne négative de la batterie d'appoint, puis l'autre extrémité au châssis de l'appareil, le plus loin possible de la batterie.
- Démarrez le moteur de l'appareil selon les instructions de démarrage normal précédentes. Débranchez ensuite les câbles de démarrage dans l'ordre inverse de leur branchement.
- Faites vérifier et réparer le système électrique de l'appareil dès que possible pour ne pas avoir à recharger la batterie.

## Arrêt du moteur

1. Poussez le bouton de la prise de force à la position désengagée.
2. Engagez le frein de stationnement.
3. Placez le levier d'accélération à la position LENTE et faites tourner le moteur au ralenti pendant une minute.
4. Tournez la clé de contact à la position ARRÊT (STOP) et retirez la clé du commutateur d'allumage.

**NOTE :** Lorsque l'appareil est laissé sans surveillance, retirez toujours la clé du commutateur d'allumage pour éviter un démarrage accidentel ou la décharge de la batterie.

## Utilisation de la tondeuse

### ⚠ AVERTISSEMENT

Évitez les démarrages et les arrêts brusques ainsi que l'excès de vitesse.

### ⚠ AVERTISSEMENT

Un virage très serré risque de réduire le contrôle de l'appareil. Ralentissez TOUJOURS avant d'effectuer un virage serré.

1. Ajustez le siège du conducteur à la position la plus confortable pour faciliter l'utilisation des commandes. Consultez le chapitre Préparation pour plus d'informations sur le réglage du siège.
2. Désengagez le frein de stationnement. Placez le levier d'accélérateur/d'étrangleur à la position RAPIDE.
3. Pour vous déplacer en marche avant, appuyez doucement sur la pédale de marche avant (a) jusqu'à ce que vous atteigniez la vitesse désirée (Figure 27).

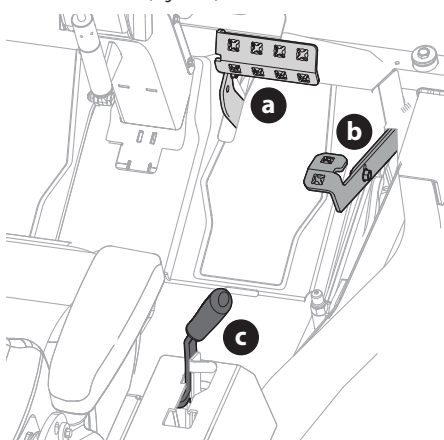


Figure 27

4. Pour arrêter ou ralentir le tracteur, retirez votre pied de la pédale de marche avant (a) ou de marche arrière (b). Pour verrouiller le frein de stationnement, placez les pédales de déplacement à la position neutre et tirez le levier du frein de stationnement (c) vers l'arrière jusqu'à ce qu'il s'enclenche à la position de marche (« on ») (Figure 27).
5. Pour vous déplacer en marche arrière, regardez d'abord derrière vous, puis appuyez doucement sur la pédale de marche arrière (b) avec l'avant du pied (et NON avec le talon) jusqu'à ce que vous atteigniez la vitesse désirée (Figure 27).


### ⚠ ATTENTION

NE changez PAS de direction lorsque l'appareil est en mouvement. Faites un arrêt complet avant de changer de direction (de la marche avant à la marche arrière ou vice versa).

### ⚠ AVERTISSEMENT


Ne quittez pas le poste de conduite sans avoir débrayé la prise de force et engagé le frein de stationnement. Arrêtez le moteur et retirez la clé de contact lorsque vous laissez l'appareil sans surveillance.


## Mode de tonte en marche arrière

Le mode de tonte en marche arrière  du module du commutateur d'allumage permet de tondre l'herbe en marche arrière quand la prise de force est embrayée.



**NOTE :** Il n'est pas recommandé de tondre en marche arrière.

### ⚠ AVERTISSEMENT

Soyez très prudent lorsque vous utilisez le mode de tonte en marche arrière . Regardez toujours vers le sol et derrière vous avant de reculer et lorsque vous reculez. N'utilisez pas l'appareil si des personnes se trouvent à proximité. Arrêtez immédiatement l'appareil si quelqu'un s'approche de la zone de travail.

Pour utiliser l'appareil en mode de tonte en marche arrière  :

**NOTE :** L'utilisateur DOIT être en position assise.

1. Démarrez le moteur selon les instructions précédentes.
2. Tournez la clé de la position de tonte normale  (a) à la position de tonte en marche arrière  (b) à la position d'allumage (Figure 28).

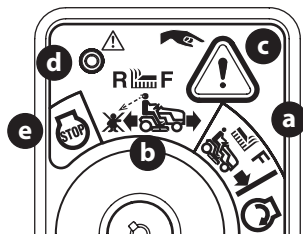








Figure 28

# UTILISATION

- Appuyez sur le bouton de marche arrière  (c) situé dans le coin supérieur droit du module de commutateur d'allumage. Le témoin lumineux rouge (d) dans le coin supérieur gauche s'allume lorsque le bouton de marche arrière est activé (Figure 28 à la page 95).
- Lorsque le bouton de marche arrière est activé (le témoin lumineux est allumé), l'appareil peut être utilisé en marche arrière avec les lames de coupe engagées.
- Regardez toujours derrière vous et par terre avant de reculer et lorsque vous reculez pour vous assurer qu'il n'y a pas d'enfants à proximité. Après avoir repris la marche avant, tournez la clé à la position de tonte normale  (a) (Figure 28 à la page 95).
- Le mode de tonte en marche arrière  (b) demeure activé jusqu'à ce que (Figure 28 à la page 95):
  - La clé soit placée à la position de tonte normale  (a) ou à la position ARRÊT  (e) ou
  - Le conducteur se lève.

## Arrêt du moteur

- Placez les deux pédales d'entraînement en position neutre pour arrêter le mouvement du tracteur.
- Débrayez la prise de force.
- Utilisez le levier de relevage et le bouton pour relever le plateau de coupe à la position la plus haute.
- Si vous démontez le tracteur, mettez les pédales de commande de l'entraînement en position neutre, serrez le frein de stationnement, mettez l'accélérateur en position de marche rapide (FAST), tournez la clé sur STOP (ARRÊT)  et retirez-la du module de l'interrupteur d'allumage.


### AVERTISSEMENT


Ne quittez pas le poste de conduite sans avoir débrayé la prise de force et engagé le frein de stationnement. Arrêtez le moteur et retirez la clé de contact lorsque vous laissez l'appareil sans surveillance.

## Utilisation de la prise de force

Procédez comme suit pour embrayer la prise de force :

**NOTE :** Pendant la période de rodage de l'appareil, laissez le moteur réchauffer avant d'embrayer la prise de force pour empêcher le moteur de caler. La période de rodage varie selon le moteur.

- Placez le levier d'accélérateur à la position RAPIDE .
- Embrayez la prise de force.

**NOTE :** Assurez-vous que le levier d'accélérateur est toujours à la position RAPIDE . Faites fonctionner l'appareil à plein régime pour éviter de réduire la durée de vie de la batterie et avoir une tonte de qualité.

- Demeurez assis sur le siège en tout temps. Le moteur s'arrêtera si vous quittez le poste de conduite sans avoir débrayé la prise de force.
- La prise de force ne peut pas être embrayée lorsque l'appareil fonctionne en mode de tonte en marche arrière. Consultez le sous-chapitre Mode de tonte en marche arrière.
- Pour débrayer la prise de force, appuyez sur le bouton de la prise de force à la position débrayée (OFF).

## Tonte de l'herbe

### AVERTISSEMENT

Pour éviter tout contact avec les lames et toute blessure causée par une projection, ne permettez à personne (en particulier les enfants et les animaux) de s'approcher à moins de 23 mètres (75 pieds). Arrêtez l'appareil si quelqu'un s'approche de la zone de travail.

### AVERTISSEMENT

Débarrassez la zone de travail de tout débris, bâton, caillou, fil électrique et de tout autre objet qui peut être projeté par les lames rotatives.

### AVERTISSEMENT

Calculez votre trajectoire de façon à éviter de projeter les brins coupés vers la rue, le trottoir, les passants, etc. Attention, les débris peuvent rebondir sur les murs ou autres obstacles et vous atteindre.

### AVERTISSEMENT

Soyez prudent lorsque vous traversez une allée recouverte de gravier. Débrayez la prise de force et relevez le plateau de coupe à la plus haute position avant de traverser une allée.

**NOTE :** N'engagez pas le plateau de coupe lorsqu'il est abaissé sur l'herbe qui n'a pas été coupée. La courroie trapézoïdale et l'embrayage de la prise de force risquent de s'user prématurément. Relevez le plateau de coupe à la plus haute position de coupe ou déplacez l'appareil sur une surface non gazonnée avant d'engager le plateau de coupe.

- Tondez perpendiculairement la pente, et non en remontant et en descendant la pente. Lorsque vous tondez une pente, commencez au pied de la pente et travaillez en remontant pour effectuer les virages en montée.
- Ne tondez pas à une vitesse élevée, surtout lorsqu'un kit de déchiquetage ou un sac à herbe est installé.
- Ne coupez pas l'herbe trop court. L'herbe courte encourage la croissance de mauvaises herbes et risque de jaunir plus rapidement durant les périodes sèches.
- Assurez-vous que le levier d'accélérateur est toujours à la position RAPIDE lorsque vous tondez l'herbe.
- Au premier passage, choisissez sur le côté opposé de la zone à tondre. Suivez ce repère pour vous déplacer en ligne droite.



## UTILISATION

- Placez le levier d'accélération ou le levier d'accélération/d'étrangleur à la position RAPIDE et embraquez la prise de force.
  - Puis abaissez le plateau de coupe.
  - Appuyez doucement sur la pédale de marche avant pour faire avancer l'appareil et dirigez-le vers le point de repère choisi.
  - Pour de meilleurs résultats, projetez l'herbe vers le centre de la zone de travail lors des deux premiers passages. Par la suite, changez de direction afin de projeter l'herbe vers l'extérieur. Votre pelouse sera plus belle.  
**NOTE :** La vitesse de déplacement de l'appareil aura un effet sur la qualité de la tonte. Travailler à pleine vitesse nuira à la qualité de la tonte. Contrôlez la vitesse de déplacement avec les pédales de déplacement.
  - Cet appareil est conçu pour une utilisation non-professionnelle. Il peut tondre un gazon de 25 cm (10 pouces) de haut au maximum. Il n'est pas fait pour tondre les hautes herbes (par ex. dans un pré) ou pour déchiqueter des tas de feuilles mortes. Si des débris végétaux secs s'accumulent sous le plateau de coupe et atteignent le tuyau d'échappement, ils risquent de prendre feu.
  - NE tondez pas les broussailles, les mauvaises herbes ou l'herbe très haute. Cet appareil est conçu pour l'entretien résidentiel de pelouses, et non pour couper les broussailles.
  - Assurez-vous que les lames sont bien aiguisées. Remplacez les lames usées ou endommagées.
  - Lorsque vous êtes au bout d'un passage, ralentissez ou arrêtez complètement l'appareil avant d'effectuer le virage. Effectuez un demi-tour, à moins qu'un virage à 360 degrés soit nécessaire.
  - Alignez l'appareil sur le passage précédent et chevauchez ce passage sur environ 7,6 cm (3 pouces).
  - Continuez à travailler en alignant l'appareil sur chaque passage précédent.
  - Pour éviter la formation de sillons, changez la direction de 45 degrés chaque fois que vous effectuez la tonte.
- Si, pour une raison quelconque, vous devez immobiliser l'appareil sur une surface gazonnée, procédez toujours comme suit :
- Engagez le frein de stationnement.
  - Arrêtez le moteur et retirez la clé de contact.
  - Vous minimiserez ainsi le risque de brûler la pelouse avec les gaz d'échappement du moteur en marche.

## CALENDRIER D'ENTRETIEN

### AVERTISSEMENT

Avant de nettoyer, de réparer ou d'examiner votre tondeuse, vérifiez que les lames et autres pièces mobiles sont à l'arrêt. Arrêtez le moteur, retirez la clé de contact, débranchez le fil de bougie et le câble négatif de la batterie pour empêcher un démarrage accidentel. Portez toujours des lunettes de sécurité lorsque vous utilisez l'appareil ou lorsque vous effectuez un réglage ou une réparation.

Respectez le Calendrier d'entretien ci-dessous. Ce tableau décrit seulement des directives générales d'entretien.

Consultez la notice d'utilisation du moteur pour toutes les instructions sur l'entretien des éléments du moteur ci-dessous.

	Avant chaque utilisation	Après les 5 premières heures	Toutes les 10 heures	Toutes les 25 heures	Toutes les 50 heures	Toutes les 100 heures	Toutes les 200 heures	Avant le remisage	Voir la notice du moteur
Vérifiez/nettoyez la grille d'entrée d'air du moteur et les ailettes de refroidissement #	✓							✓	
Vérifiez/nettoyez le collecteur d'échappement, le tuyau d'échappement et les pare-chaleurs du silencieux #	✓							✓	
Vérifiez/nettoyez le dessus et le dessous du plateau de coupe, le dessous des couvercles de fusée et la zone autour des courroies #	✓							✓	
Vérifiez/nettoyez la zone autour des fusibles, du câblage électrique et des faisceaux #	✓							✓	
Vérifiez/nettoyez les essieux ainsi que la zone autour de la transmission et du ventilateur #	✓							✓	
Vérifiez/ajoutez/changez le fluide de la transmission selon le besoin							✓		
Vérifiez si les composants du filtre à air sont souillés, desserrés ou endommagés	✓								
Vérifiez le niveau d'huile à moteur	✓								
Nettoyez les bornes de la batterie			✓					✓	
Graissez tous les points de lubrification			✓					✓	
Vérifiez/nettoyez la grille d'entrée d'air du moteur			✓					✓	
Vérifiez les lames et aiguisiez-les ou remplacez-les au besoin			✓					✓	
Vérifiez la pression des pneus			✓					✓	
Vérifiez/nettoyez le dessous du plateau de coupe	✓		✓					✓	
Vérifiez le système de verrouillage de sécurité			✓					✓	

# ENTRETIEN

	Avant chaque utilisation	Après les 5 premières heures	Toutes les 10 heures	Toutes les 25 heures	Toutes les 50 heures	Toutes les 100 heures	Toutes les 200 heures	Avant le remisage	Voir la notice du moteur
Vérifiez le matériel ROPS et la ceinture de sécurité			✓					✓	
Vérifier le temps d'arrêt des lames			✓					✓	
Inspectez et lubrifiez les roues du plateau de coupe				✓				✓	
Inspecter et lubrifier les boulons de la commande de direction				✓					
Vérifier si le plateau est de niveau				✓				✓	
Vérifier si les courroies et les poulies sont endommagées ou usées					✓				
Vérifier si la quincaille est bien fixée						✓			
Vérifier le couple de serrage du boulon de montage du moteur (Serrer à un couple de 37-50 N m [325- 450 po-lb])		✓			✓			✓	✓
Vérifier le couple de serrage du boulon de la lame (Serrer à un couple de 95 à 122 N m [de 70 à 90 po-lb])		✓			✓			✓	
Vérifier l'état et l'écartement de la bougie d'allumage						✓		✓	✓
Changer l'huile à moteur après la période de rodage		✓							✓
Changer l'huile à moteur					✓			✓	✓
Vérifier le système d'alimentation (conduits, réservoir, bouchon et raccords)		✓			✓			✓	✓
Vérifier le pare-étincelles		✓			✓			✓	✓
Remplacer le filtre à huile					✓			✓	✓
Nettoyer ou remplacer le filtre à air					✓				✓
Remplacer le filtre à essence					✓				✓
Vérifier et ajuster les soupapes*									✓

\* -- Cet entretien doit être effectué par un centre de service agréé.

# -- Vérifier et nettoyer plus fréquemment en cas d'utilisation dans des environnements poussiéreux et après le déchiquetage.

**NOTE :** Ce manuel est commun à plusieurs modèles. Les caractéristiques peuvent varier selon le modèle. Certaines caractéristiques décrites dans ce manuel peuvent ne pas s'appliquer à tous les modèles. Votre appareil peut différer du modèle illustré.

## ENTRETIEN DE L'APPAREIL APRÈS SON UTILISATION

Après chaque utilisation, consultez le Calendrier d'entretien de ce manuel pour des renseignements sur l'entretien de l'appareil afin de garder votre appareil en bon état de fonctionnement.

### AVERTISSEMENT

Le non-respect de ces instructions peut entraîner de graves blessures et endommager l'appareil.

## NETTOYAGE DE L'APPAREIL

### AVERTISSEMENT

Lorsque l'appareil vient d'être utilisé, les surfaces en métal, le moteur et le silencieux sont brûlants. Attendez au moins cinq minutes avant de procéder, sinon vous risquez de vous brûler. Soyez très prudent pour éviter les brûlures.

L'appareil doit être nettoyé après chaque utilisation et un nettoyage supplémentaire peut être nécessaire dans certaines conditions, comme par temps sec ou après le déchiquetage.

Enlevez régulièrement les accumulations de débris sous l'appareil pour maintenir son bon fonctionnement et pour réduire les risques d'incendie. Suivez les instructions ci-dessous et communiquez avec votre concessionnaire si vous avez des questions.

- Laissez refroidir l'appareil pendant au moins cinq minutes dans une aire ouverte avant de le nettoyer.

**NOTE :** Il n'est pas conseillé d'utiliser une laveuse à pression ou un tuyau d'arrosage pour nettoyer la tondeuse sauf pour nettoyer le dessous du plateau. Les composants électriques, les fusées, les poulies, les roulements ou le moteur peuvent être endommagés. Le nettoyage à l'eau réduit la durée de vie et la performance de l'appareil.

- Nettoyez autour des fusibles, les deux côtés des ailettes de refroidissement des transmissions, le collecteur d'échappement, le câblage électrique et les faisceaux, le tuyau du silencieux, le pare-chaleur du silencieux, les grilles d'entrée d'air du moteur et les ailettes de refroidissement, entre autres (Figure 29).

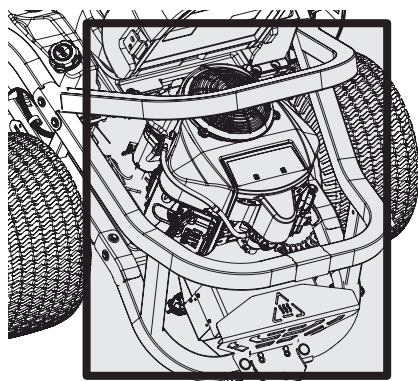


Figure 29

- Nettoyez la partie supérieure du plateau de coupe, la partie sous le couvercle des fusées et la partie autour des courroies (Figure 30).

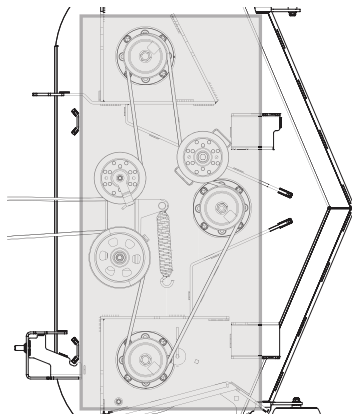
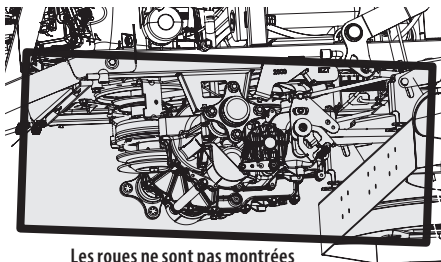


Figure 30

- Gardez l'essieu ainsi que la partie autour de la transmission et du ventilateur propres (Figure 31).



Les roues ne sont pas montrées

Figure 31

- Les débris peuvent s'accumuler n'importe où sur le tracteur, surtout sur les surfaces horizontales. Un nettoyage supplémentaire peut être nécessaire après le déchiquetage ou dans des conditions de sécheresse.
- Les débris peuvent s'accumuler en cas de fuites de carburant, d'huile ou d'excédent de lubrifiant. Faites immédiatement les réparations et nettoyez l'huile et l'essence répandues pour réduire les risques d'incendie.
- Nettoyez l'appareil après chaque utilisation et avant le remisage. De plus, ne coupez pas l'herbe très haute (mesurant 25,4 centimètres [10 pouces] ou plus), l'herbe sèche (par exemple, le pâturage), ou les tas de feuilles sèches. Si des débris végétaux secs s'accumulent sous le plateau de coupe et atteignent le tuyau d'échappement, ils risquent de prendre feu.

## Remisage de l'appareil

- Laissez refroidir l'appareil dans une aire ouverte avant de le ranger.
- Ne remisez pas l'appareil près de matières inflammables (bois, vêtements ou produits chimiques), de flammes nues ou des sources d'inflammation (chaudière, chauffe-eau ou élément chauffant).
- Retirez les matières combustibles de l'appareil avant de l'entreposer. Videz les bacs récupérateurs ou les contenants.
- Si l'appareil est doté d'une soupape d'arrêt, fermez-la toujours avant de transporter ou de remiser l'appareil.
- Vérifiez régulièrement le système d'alimentation (les conduits, le réservoir, le bouchon et les raccords), selon le Calendrier d'entretien, pour déceler les fissures et les fuites. Effectuez les réparations nécessaires et nettoyez au besoin.

## ENTRETIEN

### Retrait du panneau du plancher

#### ⚠ AVERTISSEMENT

N'utilisez pas la tondeuse sans le panneau du plancher.

Le panneau du plancher peut être retiré pour l'entretien, la réparation et le nettoyage. Pour enlever le panneau du plancher :

1. Avec l'outil multifonction ou une douille de 1/2 po, retirez le boulon (a) qui retient le panneau du plancher (Figure 32).

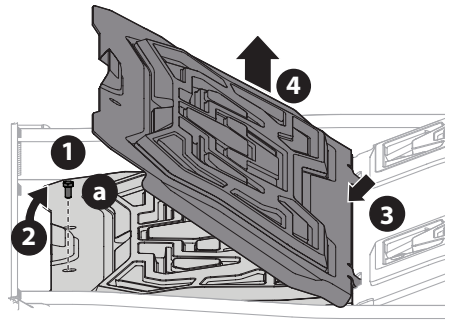


Figure 32

2. Soulevez avec précaution la partie arrière du panneau (Figure 32).
3. Glissez le panneau vers l'arrière pour faire sortir la partie avant (Figure 32).
4. Puis, soulevez le panneau pour le retirer (Figure 32).
5. Pour replacer le panneau, remettez le panneau en place, réinstallez le boulon retiré à l'étape 1.

### Moteur

#### ⚠ AVERTISSEMENT

Laissez refroidir l'appareil dans une aire ouverte avant de le ranger ou de faire le plein.

Consultez la notice d'utilisation du moteur pour les instructions et les procédures d'entretien du moteur.

**NOTE :** L'entretien, la réparation et le remplacement des dispositifs et des systèmes anti-pollution qui ne sont pas couverts par la garantie (aux frais du propriétaire) peuvent être effectués par n'importe qui. Les réparations dans le cadre de la garantie doivent être effectuées dans un centre de service agréé.

### CHANGEMENT DE L'HUILE À MOTEUR

#### ⚠ WARNING

Lorsque l'appareil vient d'être utilisé, les surfaces en métal, le moteur et le silencieux sont brûlants. Attendez au moins cinq minutes avant de procéder, sinon vous risquez de vous brûler. Soyez très prudent pour éviter les brûlures.

**NOTE :** Le filtre à huile doit être remplacé à chaque changement d'huile.

Procédez comme suit pour effectuer un changement d'huile :

1. Repérez le boyau de vidange d'huile (a) sur le côté du moteur (Figure 33).

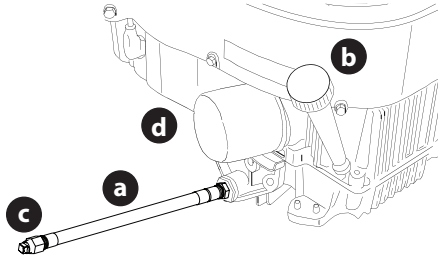


Figure 33

2. Placez un récipient adéquat d'une capacité minimum de 2,37 l (2,5 quarts) sous l'extrémité du boyau de vidange d'huile pour recueillir l'huile usée. Enlevez le bouchon de remplissage et la jauge d'huile (b) du tube de remplissage d'huile (Figure 33).
3. Tenez l'extrémité libre du boyau de vidange d'huile au-dessus du récipient collecteur, puis dévissez le bouchon à tête carrée (c) du boyau de vidange d'huile (Figure 33). Vidangez l'huile du moteur dans le récipient.
4. Après avoir vidangé l'huile, essuyez l'excédent d'huile du boyau de vidange. Vissez le bouchon à tête carrée sur le raccord du boyau de vidange d'huile et serrez le bouchon à un couple de 22 N m (16 pi-lb).
5. Retirez le filtre à huile (d) et laissez l'huile s'écouler dans le récipient (Figure 33).
6. Remplacez le filtre à huile (d) et remplissez le moteur avec de l'huile neuve selon les instructions de la notice d'utilisation du moteur (Figure 33).

**NOTE :** Placez un chiffon absorbant sous le filtre à huile pour éviter de salir l'embrayage.

**NOTE :** Respectez la législation sur l'élimination des déchets liquides (essence, huile, etc.) afin de préserver l'environnement.

**NOTE :** L'entretien, la réparation et le remplacement des dispositifs et des systèmes anti-pollution qui ne sont pas couverts par la garantie (aux frais du propriétaire) peuvent être effectués par n'importe qui. Les réparations dans le cadre de la garantie doivent être effectuées dans un centre de service agréé.

## Lubrification

### ⚠ AVERTISSEMENT

Avant de lubrifier, de réparer ou d'inspecter l'appareil, débrayez toujours la prise de force, engagez le frein de stationnement, arrêtez le moteur et retirez la clé de contact afin d'empêcher un démarrage accidentel.

Lubrifiez tous les points de pivotement avec une huile de graissage de qualité. Consultez le Calendrier d'entretien de ce manuel pour des renseignements sur l'entretien de l'appareil.

## Entretien du pare-étincelles (le cas échéant)

Le pare-étincelles doit être retiré, inspecté et nettoyé régulièrement. Consultez le Calendrier d'entretien à cet effet. Inspectez visuellement la grille pour vous assurer qu'il n'y a pas de déchirures, de fils sectionnés ou des ruptures de soudure. Si tel est le cas, remplacez le pare-étincelles. Si la grille est en bon état, brossez-le pour enlever la poussière et les particules de carbone.

## Graissage

### ROUES AVANT

Les essieux des roues avant sont dotés d'un raccord de graissage (Figure 34). Toutes les 25 heures d'utilisation, lubrifiez chaque raccord de graissage avec de la graisse tout usage N° 2 avec un pistolet de graissage.

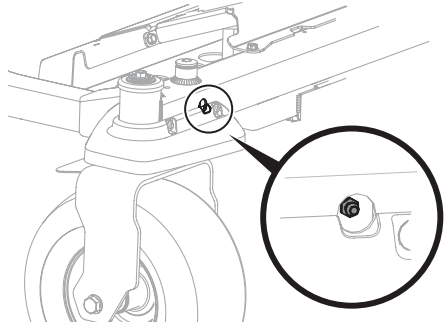


Figure 34

### BOULONS DE LA COMMANDE DE DIRECTION

Ces boulons sont équipés de deux raccords de graissage (Figure 35). Toutes les 25 heures d'utilisation, lubrifiez chaque raccord de graissage avec de la graisse tout usage N° 2 avec un pistolet de graissage.

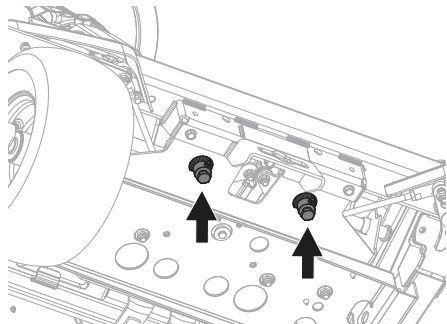


Figure 35

## Pneus

Gardez les pneus gonflés aux pressions recommandées. Une pression inadéquate réduit la durée de vie des pneus. La pression recommandée est indiquée sur le flanc du pneu. Consultez le Calendrier d'entretien de ce manuel pour des renseignements sur l'entretien de l'appareil.

Suivez les conseils ci-dessous :

- Ne gonflez pas un pneu à une pression supérieure à celle indiquée sur le flanc du pneu.
- Ne regonflez pas un pneu qui a roulé à plat ou un pneu insuffisamment gonflé. Faites examiner le pneu par un mécanicien qualifié.

## Transmission hydrostatique

Votre tondeuse à rayon de braquage zéro est équipée de deux transmissions hydrostatiques. Dans des conditions normales de fonctionnement, vous n'avez pas à vérifier le niveau d'huile.

## CHANGEMENT D'HUILE POUR ENGRENAGES DE LA TRANSMISSION

Contactez un centre de service agréé pour le changement d'huile de la transmission.

## Remisage

Si vous n'utilisez pas l'appareil pendant une longue période (pendant plus de trente jours), préparez-le pour le remisage. Remisez l'appareil dans un endroit sec et bien protégé. Pour le remisage à l'extérieur, couvrez l'appareil (y compris les pneus) pour le protéger des intempéries. Procédez comme suit pour remiser l'appareil :

1. Changez l'huile à moteur et remplacez le filtre en suivant les instructions fournies dans la notice d'utilisation du moteur.

## AVERTISSEMENT

Ne remisez jamais l'appareil avec de l'essence dans un endroit mal aéré ou à l'intérieur car les vapeurs d'essence pourraient entrer en contact avec une flamme nue, une étincelle ou une veilleuse d'allumage comme celle d'une chaudière, d'un chauffe-eau, d'une sècheuse, etc.

2. Si l'appareil est remisé pendant 30 jours ou plus :
  - a. Pour éviter le mauvais fonctionnement du moteur et la formation de dépôts gommeux dans le carburateur, vidangez complètement le système d'alimentation ou ajoutez un stabilisateur à l'essence.
  - b. Utilisez un stabilisateur lorsque l'appareil est remisé pour une période de 30 à 90 jours :
    - Lisez les instructions et les recommandations du fabricant du produit.
    - Ajoutez la quantité adéquate de stabilisateur à l'essence propre et fraîche en fonction de la capacité du système d'alimentation.

- Remplissez le réservoir avec l'essence traitée et faites fonctionner le moteur pendant deux à trois minutes pour que l'essence se répande dans le carburateur.
- Pendant le remisage, l'essence dans le réservoir risque de se détériorer et de causer de graves problèmes de démarrage.

- c. Vidangez le système d'alimentation si l'appareil est remisé pour plus de 90 jours :

- Avant de remiser l'appareil, assurez-vous de vider le réservoir.
- Faites fonctionner le moteur jusqu'à ce qu'il cale. Utilisez l'étrangleur (si équipé) pour faire fonctionner le moteur jusqu'à ce que le réservoir d'essence soit vide.
- Consultez la notice d'utilisation du moteur pour les instructions sur la vidange d'essence.

3. Nettoyez bien le moteur et l'appareil.

**NOTE :** Il n'est pas conseillé d'utiliser une laveuse à pression ou un boyau de jardinage pour nettoyer la tondeuse sauf pour nettoyer le dessous du plateau. Les composants électriques, les fusées, les poulies, les roulements ou le moteur peuvent être endommagés. Le nettoyage à l'eau réduit la durée de vie et la performance de l'appareil.

4. Nettoyez et rechargez la batterie. Débranchez le câble négatif de la batterie pour empêcher sa décharge. Rechargez la batterie régulièrement pendant le remisage.

**NOTE :** Retirez la batterie de l'appareil si elle est exposée à des températures inférieures à zéro pendant de longues périodes. Rangez la batterie dans un endroit frais et sec où la température ambiante est supérieure à zéro.

5. Lubrifiez tous les points de lubrification.

## Remise en service de l'appareil

1. Vérifiez l'huile à moteur.
2. Chargez la batterie. Gonflez les pneus à la pression recommandée. La pression recommandée est indiquée sur le flanc du pneu.
3. Remplissez le réservoir avec de l'essence fraîche et propre.
4. Démarrez le moteur et laissez-le tourner pendant quelques minutes pour vous assurer qu'il fonctionne correctement.
5. Conduisez l'appareil sans aucune charge pour vous assurer que tous les systèmes fonctionnent correctement.

## RÉGLAGES

### Réglage de la pédale de levage du plateau

La pédale peut être ajustée selon les préférences de l'opérateur.

1. Placez le plateau de coupe en position de transport.

- Retirez le boulon hexagonal, la rondelle et l'écrou hexagonal près du centre de la pédale (Figure 36).

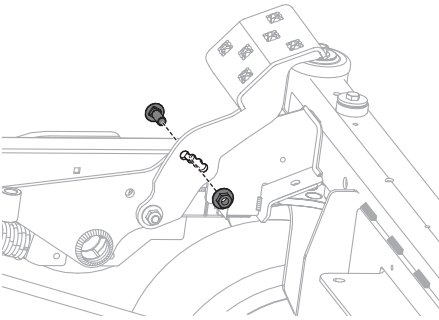


Figure 36

- Positionnez la pédale sur la position optimale en fonction des préférences de l'opérateur (Figure 37).

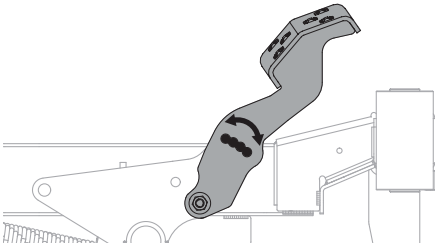


Figure 37

- Réinstallez le matériel précédemment retiré et serrez l'écrou à 38-47 N·m (28-35 lb·pi) (Figure 36).

## Mise à niveau du plateau de coupe

Si le plateau de coupe tond de manière inégale, effectuez un réglage du plateau de coupe.

### ⚠ WARNING

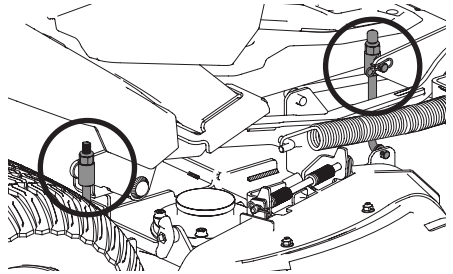
Lorsque l'appareil vient d'être utilisé, les surfaces en métal, le moteur et le silencieux sont brûlants. Attendez au moins cinq minutes avant de procéder, sinon vous risquez de vous brûler. Soyez très prudent pour éviter les brûlures.

### ⚠ AVERTISSEMENT

Les lames des tracteurs sont tranchantes. Enveloppez la lame ou portez des gants, et faites preuve d'une prudence accrue lors de l'entretien.

## MISE À NIVEAU LATÉRALE DU PLATEAU DE COUPE

- Stationnez la tondeuse sur une surface plane.
- Assurez-vous que la pression des pneus est adéquate.
- Placez le bouton de relevage du plateau de coupe dans la position centrale. Faites pivoter les deux lames de façon qu'elles soient perpendiculaires à l'appareil.
- Mesurez la distance entre la pointe extérieure de la lame gauche et le sol ainsi que la distance entre la pointe extérieure de la lame droite et le sol. Les deux mesures doivent être égales. Si elles ne le sont pas, passez à l'étape suivante.
- Les écrous de réglage sont sur les tiges de relevage du plateau de coupe de chaque côté de la tondeuse. Un écrou est placé sur chaque côté avant du plateau, entre la plateforme et le tube inférieur du châssis. Un écrou se trouve sur chaque côté arrière du plateau, près du devant de la roue arrière (Figure 38).



Le châssis inférieur n'est pas montré

Figure 38

- Retirez le capuchon des tiges de relevage avant du plateau et gardez-les pour utilisation ultérieure.
- Tournez l'écrou à gauche (avant et arrière) ou l'écrou à droite (avant et arrière) vers la droite pour relever le plateau de coupe ou vers la gauche pour l'abaisser, selon le besoin. Ajustez chaque écrou de manière égale.

**NOTE :** Effectuez le réglage en tournant l'écrou d'un quart de tour à la fois. Puis, mesurez la distance de la pointe de la lame des deux côtés à chaque fois.

## MISE À NIVEAU DE L'AVANT À L'ARRIÈRE

L'avant du plateau de coupe doit être de 3-9 mm (1/8-3/8 po) plus bas que l'arrière. Si nécessaire, effectuez le réglage comme suit :

- Stationnez l'appareil sur une surface plane et solide. Placez le bouton de réglage du plateau de coupe dans la position centrale.
- Assurez-vous que la pression des pneus est adéquate.
- Vérifiez que le plateau de coupe est de niveau latéralement.
- Faites pivoter la lame la plus proche du déflecteur d'éjection de façon à ce qu'elle soit parallèle à l'appareil.



5. Mesurez la distance entre l'extrémité avant de la lame et le sol ainsi que la distance entre l'extrémité arrière de la lame et le sol. La distance entre l'extrémité avant et le sol doit être de 3-9 mm (1/8-3/8 po) inférieure à la distance entre l'extrémité arrière et le sol.
6. Déterminez la distance approximative nécessaire pour assurer le réglage approprié du plateau de coupe, puis passez à l'étape suivante, si nécessaire.
  - a. Retirez le capuchon des tiges de relevage avant du plateau et gardez-les pour utilisation ultérieure (Figure 39).

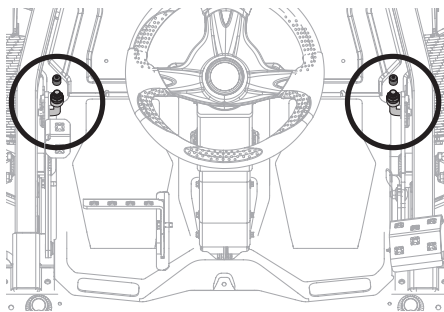


Figure 39

- b. Tournez les écrous avant vers la droite pour relever le plateau de coupe ou vers la gauche pour l'abaisser. Ajustez chaque écrou de manière égale. (Figure 39).

**NOTE :** Effectuez le réglage en tournant l'écrou d'un quart de tour à la fois. Puis, mesurez la distance de la pointe de la lame de l'avant à l'arrière. Répétez l'opération jusqu'à ce que le plateau soit bien ajusté.

- c. Remplacez le capuchon des tiges de relevage.

## Réglage des roues du plateau de coupe

### ⚠ AVERTISSEMENT

Gardez vos mains et vos pieds loin de l'ouverture d'éjection du plateau de coupe.

**NOTE :** Les roues du plateau de coupe préviennent le dégazonnement de la pelouse et ne sont pas conçues pour soutenir le plateau de coupe. Lorsque vous ajustez la hauteur du plateau de coupe, réglez également les roues pour qu'elles soient de 6,35 mm à 12,7 mm (1/4 po à 1/2 po) du sol. Consultez la section Préparation pour plus d'instructions sur le réglage des roues du plateau de coupe.

## ENTRETIEN

### Système électrique

Un fusible est installé dans le câblage électrique pour protéger le système électrique de l'appareil contre tout dommage causé par une intensité trop élevée. Remplacez toujours un fusible par un autre fusible de même intensité. Si le système électrique ne fonctionne pas, vérifiez si le fusible a sauté.

En cas de problème récurrent de fusible sauté, faites examiner le système électrique dans un centre de service agréé.

### Relais et interrupteurs

Des interrupteurs de sécurité sont installés dans le système électrique. Si le système de verrouillage de sécurité ne fonctionne pas, faites examiner le système électrique dans un centre de service agréé.

### Réglage du frein de stationnement

Si l'appareil ne s'immobilise pas complètement lorsque les pédales de déplacement sont à la position neutre, ou si les roues arrière tournent alors que le frein de stationnement est engagé (et la soupape de dérivation hydrostatique est ouverte), il est nécessaire de régler le frein. Contactez un centre de service agréé pour faire ajuster le frein.

### Démontage du plateau de coupe

Procédez comme suit pour démonter le plateau de coupe :

1. Stationnez l'appareil sur une surface plate, débrayez la prise de force, arrêtez le moteur, vérifiez que les pédales de déplacement sont placées à la position neutre et actionnez le frein de stationnement.
2. Il y a deux méthodes pour enlever la courroie. Passez à l'étape 3 pour la retirer en réduisant la tension ou passez à l'étape 4 pour la retirer en la faisant sortir de sa poulie.

### ⚠ AVERTISSEMENT

Faites attention de ne pas pincer vos doigts lorsque vous retirez la courroie de la poulie.

3. Pour réduire la tension :
  - a. À l'aide du la pédale de relevage et du bouton, positionnez le plateau de façon à ce que la courroie qui passe entre les poulies de tension et la poulie de la prise de force soit aussi horizontale que possible.
  - b. Décrochez le ressort de la poulie du crochet sur le côté droit du milieu du plateau (Figure 40).

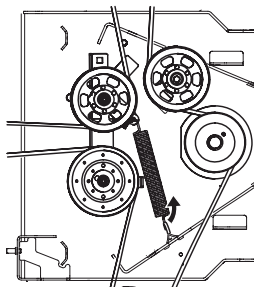


Figure 40

4. Pour retirer la courroie de la poulie de la prise de force :
  - a. Positionnez le plateau de façon à ce que la courroie qui passe entre les poulies de tension et la poulie de la prise de force, soit aussi horizontale que possible (sous le moteur).
  - b. Placez-vous à l'arrière de l'appareil en faisant face vers l'avant. Tendez le bras pour saisir la courroie devant la poulie de la prise de force.
  - c. Tirez le côté gauche de la courroie vers l'arrière et vers le bas tout en tournant manuellement la poulie de la prise de force vers la droite jusqu'à ce que la courroie sorte de la gorge inférieure de la poulie.

**NOTE :** Si vous tirez sur le côté droit de la courroie, tournez la poulie de la prise de force vers la gauche.

- d. Maintenez la courroie de la prise de force (a) vers le bas et continuez de tourner la poulie de la prise de force (b) jusqu'à ce que la courroie de la prise de force (a) soit complètement délogée de la poulie de la prise de force (b) (Figure 41).

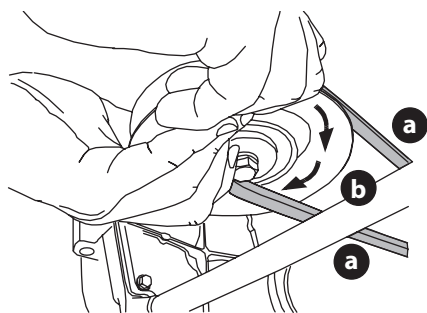


Figure 41

- e. Abaissez le plateau de coupe au maximum.

## **⚠ AVERTISSEMENT**

Le système de relevage est doté d'un ressort qui est sous tension. Vous pouvez être blessé si le système de relevage est relâché brusquement. Vous devez utiliser l'outil multifonction pour placer le système de relevage à la position verrouillée. N'utilisez pas la pédale de relevage lorsque le système de relevage est verrouillé avec l'outil multifonction.

5. La pédale de relevage et le bouton de réglage doivent être utilisés pour placer le plateau à la position la plus basse. L'outil multifonction est utilisé pour verrouiller le système de relevage. Il y a deux trous près de la roue arrière gauche de la tondeuse (un sur le châssis et l'autre sur le bras de relevage du plateau) (Figure 42). L'outil doit être bien inséré pour que le bras de relevage soit bien fixé au châssis.

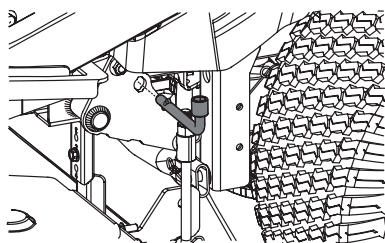


Figure 42

6. Retirez les deux goupilles fendues des tiges fixant les supports de relevage au milieu sur le devant du châssis aux supports du plateau. Tirez l'extrémité avant des tiges (Figure 43).

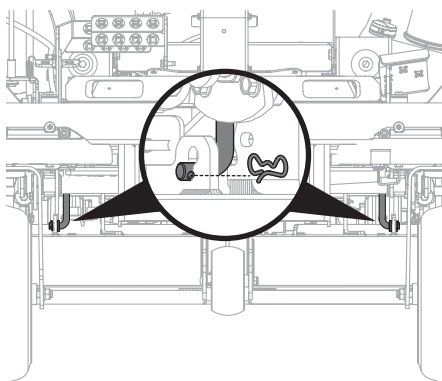


Figure 43

7. Enlevez la barre stabilisatrice de l'arrière du plateau comme suit :
  - a. Retirez la goupille fendue sur le côté droit de la barre qui la retient au support du châssis (Figure 44).

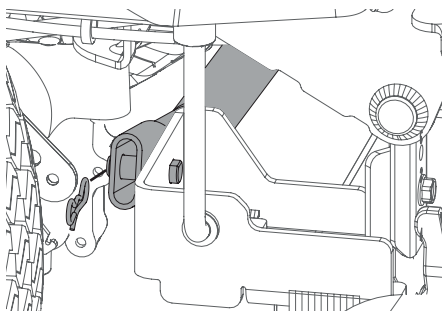


Figure 44

- b. Enlevez la goupille fendue sur le côté gauche de la barre qui la retient au support du châssis (Figure 45).

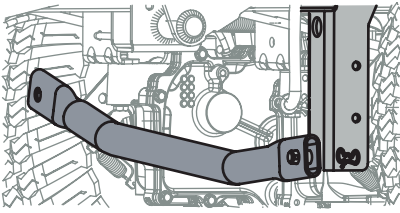


Figure 45

- Retirez la goupille de l'axe de chape de chaque tige de réglage. Une tige est placée de chaque côté avant du plateau et de chaque côté arrière. La Figure 46 présente le côté gauche du plateau.

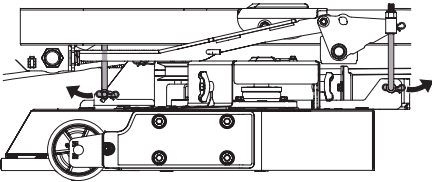


Figure 46

- Faites glisser le plateau de coupe du dessous de la tondeuse.

### Installation du plateau de coupe

Procédez comme suit pour installer le plateau de coupe :

- Faites glisser avec précaution le plateau sous le côté droit de l'appareil en prenant soin d'aligner les tiges de relevage retirées auparavant avec leurs supports sur le plateau.
- Après avoir installé le plateau, placez-le à la position de tonte la plus basse.

**NOTE :** Pour bien aligner les supports, il est parfois nécessaire de placer un petit bloc de bois sous chaque côté du plateau de coupe.

- Remplacez la quincaillerie dans l'ordre inverse du démontage du plateau.
  - Installez chaque tige retirée à l'étape 8 (voir Démontage du plateau de coupe) à l'extrémité des axes de chape et fixez-les avec les goupilles.
  - Remettez en place la barre stabilisatrice à l'arrière du plateau. Utilisez les goupilles fendues pour retenir le côté gauche au châssis et le côté droit au plateau.
  - Remplacez les tiges de relevage avant dans leurs supports et fixez-les avec les goupilles fendues retirées auparavant.
- Assurez-vous que la courroie en « V » est bien placée sur les poulies de fusée.
- Le dos de la courroie doit s'appuyer contre la poulie fixe et la poulie mobile. Remplacez toute la quincaillerie retirée ou resserrez la quincaillerie dévissée lorsque le plateau a été retiré.

- Faites passer la courroie vers l'arrière, sous le châssis de l'appareil, au-dessus des tubes de transmission, puis vers la poulie de la prise de force sous le moteur.
- À l'aide du levier de relevage du plateau de coupe, positionnez le plateau de façon que la courroie placée entre les poulies de tension et la poulie de la prise de force soit aussi horizontale que possible sous le moteur.
- Placez-vous à l'arrière de l'appareil en faisant face vers l'avant. Vérifiez que la courroie n'est pas entortillée. Tendez le bras pour saisir la courroie, puis tirez la courroie vers la poulie de la prise de force.

### ⚠ WARNING

Faites attention de ne pas pincer vos doigts lorsque vous retirez la courroie de la poulie.

- Tirez le côté droit de la courroie et placez le côté plus étroit en forme de « V » de la courroie de la prise de force dans la poulie de la prise de force (Figure 47).

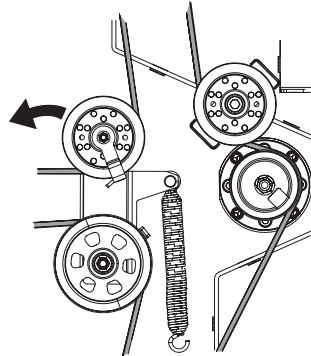


Figure 47

- Tenez la courroie de la prise de force et la poulie, puis tournez la poulie vers la gauche (Figure 41 on page 106). Continuez à tenir et à tourner la poulie et la courroie de la prise de force jusqu'à ce que la courroie soit complètement enroulée autour de la poulie de la prise de force.

**NOTE :** Avant d'utiliser l'appareil, vérifiez que la courroie est correctement installée.

- Vérifiez si le plateau de coupe est de niveau. Ajustez le réglage au besoin.

## Remplacement de la courroie du plateau de coupe

1. Démontez le plateau de coupe (voir Démontage du plateau de coupe).
2. Retirez les boulons qui fixent les couvercles de courroie au plateau de coupe (Figure 48).

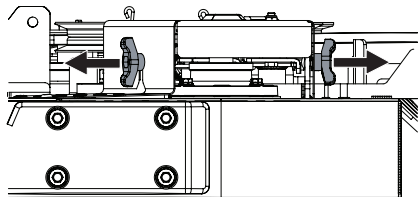


Figure 48

3. Retirez le couvercle des courroies du plateau (Figure 49).

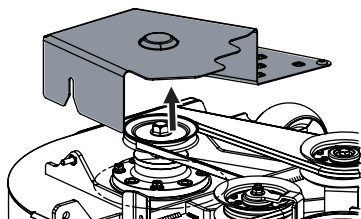


Figure 49

4. Pour retirer les deux poulies de tension, enlevez les écrous autobloquants supérieurs (a) des poulies et retirez les poulies du bras de renvoi (Figure 50).

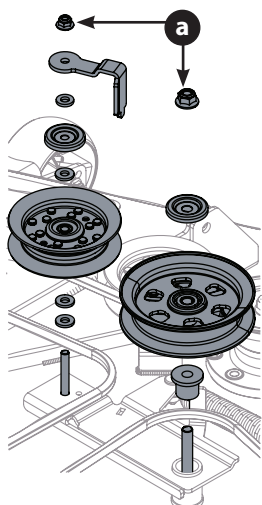


Figure 50

**NOTE :** Notez bien l'emplacement de la quincaillerie, surtout celui des garde-courroies, afin de pouvoir les installer correctement plus tard.

5. Retirez la courroie des poulies de fusée.
6. Placez la courroie neuve autour des poulies de fusée et remplacez les couvercles de courroie retirés à l'étape 3.
7. Installez la courroie autour des poulies de tension retirées à l'étape 4 avec le côté en « V » vers le bas. Assurez-vous qu'elle n'est pas pliée ou tordue. Puis, vissez légèrement la quincaillerie du bras de renvoi.
8. Placez la courroie comme indiqué à la Figure 51, puis serrez la quincaillerie du bras de renvoi.

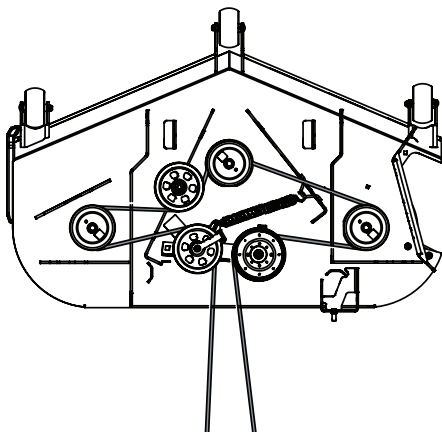


Figure 51

## ENTRETIEN DES LAMES

### ⚠ AVERTISSEMENT

Avant d'effectuer tout entretien, désengagez la prise de force, placez la commande d'entraînement en position neutre et serrez le frein de stationnement. Si vous laissez le tracteur sans surveillance, tournez la clé de contact en position d'arrêt (STOP) et retirez-la. Protégez vos mains à l'aide de gants épais lorsque vous manipulez les lames. Lors de l'entretien du plateau de coupe, veillez à ne pas vous couper avec les lames affûtées.

Les lames de coupe doivent être toujours bien affûtées. Affûtez les tranchants de manière égale pour que les lames restent bien équilibrées et l'angle d'affûtage soit maintenu.

Si le tranchant d'une lame a déjà été affûté plusieurs fois ou si le métal s'effrite, il est conseillé de changer la lame. Les lames sont en vente chez votre concessionnaire agréé.

Procédez comme suit pour démonter une lame :

1. Enlevez le plateau de coupe de l'appareil (voir Démontage du plateau de coupe), puis retournez le plateau de coupe pour avoir accès à son dessous.
2. Placer un cale en bois (c) entre le carter du plateau de coupe et le tranchant de la lame (b) pour aider à débloquer l'écrou hexagonal (a) qui fixe la lame (b). Utilisez une clé de 15/16 po pour desserrer l'écrou hexagonal (a) (Figure 52).

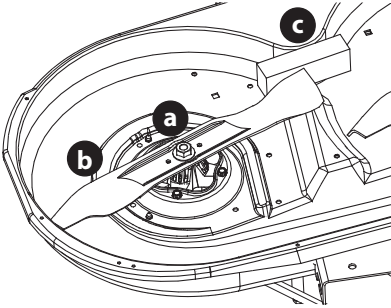


Figure 52

3. Lorsque vous réinstallez la lame, assurez-vous que les ailettes de la lame pointent vers le haut du plateau de coupe.
4. Serrez les écrous hexagonaux (a) à un couple de 95 à 122 N m (70 à 90 pi-lb).
5. Installez le plateau de coupe (voir Installation du plateau de coupe).

## Remplacement de la courroie d'entraînement de la transmission

Certaines pièces doivent être démontées et des outils spéciaux sont nécessaires pour remplacer la courroie d'entraînement de la transmission. Contactez un centre de service agréé pour faire remplacer la courroie d'entraînement.

## Mouvement de l'appareil à l'arrêt

Si l'appareil se déplace vers l'avant ou vers l'arrière lorsque les pédales de déplacement sont placées à la position neutre et le moteur est en marche, adressez-vous à un centre de service agréé.

## DÉPANNAGE

### WARNING

Avant de nettoyer, de réparer ou d'examiner votre tondeuse, vérifiez que les lames et autres pièces mobiles sont à l'arrêt. Arrêtez le moteur, retirez la clé de contact, débranchez le fil de bougie et le câble négatif de la batterie pour empêcher un démarrage accidentel. Portez toujours des lunettes de sécurité lorsque vous utilisez l'appareil ou lorsque vous effectuez un réglage ou une réparation.

Cette section traite des problèmes mineurs. Pour trouver le centre de service agréé dans votre région, consultez le document Pièces et garantie pour avoir leurs coordonnées.

Problème	Cause	Solution
<b>Le moteur ne démarre pas.</b>	<ol style="list-style-type: none"> <li>1. La prise de force est embrayée (le bouton de la prise de force est tiré vers le haut).</li> <li>2. Le frein de stationnement n'est pas engagé.</li> <li>3. Le fil de bougie est débranché.</li> <li>4. Le levier d'accélérateur n'est pas à la position de démarrage.</li> <li>5. Le réservoir d'essence est vide ou l'essence est éventée.</li> <li>6. Le conduit d'essence est bouché ou l'essence est éventée.</li> <li>7. La bougie d'allumage est défectueuse.</li> <li>8. Le moteur est noyé.</li> <li>9. Un fusible a sauté.</li> </ol>	<ol style="list-style-type: none"> <li>1. Poussez le bouton de la prise de force vers l'intérieur.</li> <li>2. Engagez le frein de stationnement.</li> <li>3. Branchez le fil à la bougie d'allumage.</li> <li>4. Placez le levier d'accélérateur à la position RAPIDE.</li> <li>5. Remplissez le réservoir avec de l'essence propre et fraîche.</li> <li>6. Remplacez le conduit d'essence. Consultez un centre de service agréé. Remplacez le filtre à carburant.</li> <li>7. Nettoyez la bougie, remplacez-la ou ajustez son écartement.</li> <li>8. Faites tourner le moteur à plein régime.</li> <li>9. Remplacez le fusible.</li> </ol>
<b>Le moteur tourne irrégulièrement.</b>	<ol style="list-style-type: none"> <li>1. L'appareil fonctionne alors que le levier d'accélération est à la position ÉTRANGLEUR.</li> <li>2. Le fil de bougie est desserré.</li> <li>3. Le conduit d'essence est bouché ou l'essence est éventée.</li> <li>4. L'évent du bouchon du réservoir est bouché.</li> <li>5. Il y a de l'eau ou de la saleté dans le circuit d'alimentation.</li> <li>6. Le filtre à air est sale.</li> </ol>	<ol style="list-style-type: none"> <li>1. Vérifiez le réglage des câbles d'accélérateur et d'étrangleur. Contactez un centre de service agréé.</li> <li>2. Branchez le fil de bougie et serrez-le.</li> <li>3. Remplacez le conduit d'essence. Consultez un centre de service agréé. Remplissez le réservoir avec l'essence propre et fraîche.</li> <li>4. Nettoyez l'évent ou remplacez le bouchon si endommagé.</li> <li>5. Vidangez le réservoir d'essence. Remplissez le réservoir avec l'essence propre et fraîche.</li> <li>6. Nettoyez ou remplacez l'élément en papier du filtre à air ou nettoyez le pré-filtre en mousse.</li> </ol>

## ENTRETIEN

Problème	Cause	Solution
<b>Le moteur surchauffe.</b>	<ol style="list-style-type: none"> <li>1. Le niveau d'huile à moteur est bas.</li> <li>2. Le débit d'air est restreint.</li> </ol>	<ol style="list-style-type: none"> <li>1. Ajoutez le type et la quantité appropriée d'huile à moteur dans le moteur.</li> <li>2. Nettoyez autour des ailettes de refroidissement et autour du boîtier du ventilateur.</li> </ol>
<b>Le moteur a des ratés à haute vitesse.</b>	<ol style="list-style-type: none"> <li>1. L'écartement des bougies est trop petit.</li> </ol>	<ol style="list-style-type: none"> <li>1. Retirez la bougie d'allumage et ajustez l'écartement.</li> </ol>
<b>Le moteur tourne irrégulièrement au ralenti.</b>	<ol style="list-style-type: none"> <li>1. La bougie d'allumage est encrassée.</li> <li>2. Le filtre à air est sale.</li> </ol>	<ol style="list-style-type: none"> <li>1. Retirez la bougie d'allumage et ajustez l'écartement.</li> <li>2. Remplacez l'élément du filtre à air ou nettoyez le pré-filtre.</li> </ol>
<b>Le moteur produit des vibrations excessives.</b>	<ol style="list-style-type: none"> <li>1. La lame de coupe est desserrée ou mal équilibrée.</li> <li>2. La lame de coupe est émoussée, endommagée ou tordue.</li> </ol>	<ol style="list-style-type: none"> <li>1. Serrez la lame et la fusée. Équilibrez la lame.</li> <li>2. Remplacez la lame de coupe.</li> </ol>
<b>La tondeuse coupe de manière irrégulière.</b>	<ol style="list-style-type: none"> <li>1. Le plateau de coupe n'est pas mis à niveau.</li> <li>2. La lame de coupe est émoussée.</li> <li>3. La pression des pneus est inégale.</li> </ol>	<ol style="list-style-type: none"> <li>1. Effectuez la mise à niveau latérale du plateau de coupe.</li> <li>2. Aiguisez la lame de coupe ou remplacez-la.</li> <li>3. Vérifiez la pression des quatre pneus.</li> </ol>

# SLOPE GAUGE (INDICADOR DE PENDIENTE) (INCLINOMÈTRE)

