

VHD 200 / VHD 430



VHD 200

THE TOUGHEST TRUCK FOR THE TOUGHEST JOBS

With the VHD, Volvo builds the toughest possible truck from the strongest components making sure it's efficient, reliable and easy to service. Volvo is dedicated to delivering an integrated transportation solution by improving driver productivity, offering engineering innovations for class-leading safety and dependability and support for maximum uptime.

With all of its power and features, the VHD can help your operation run better and more profitably every day.

The VHD is engineered for quick body mounting, so whether your application is a dump truck or trailer, mixer, crane, refuse, logging, oil field, heavy-haul lowboy or equipment trailer, snow plow, vacuum units or tanker, bodybuilders can work with speed and efficiency to properly mount and connect your body – so you'll get a truck that's ready to hit the ground running.



VHD 430 THE VOCATIONAL SLEEPER OTHERS WILL ENVY

Because not all vocational assignments are day jobs, and an occasional overnighter can mean the difference between staying on schedule or falling behind. The VHD 430 offers one of the industry's largest sleeper areas, with more than five feet of headroom plus generous space between seats. The full-size bunk lets you stretch out or sit up comfortably, and the standard sleeper curtain plus a wraparound windshield curtain ensures privacy for a great night's rest.





HARD WORK MADE EASY

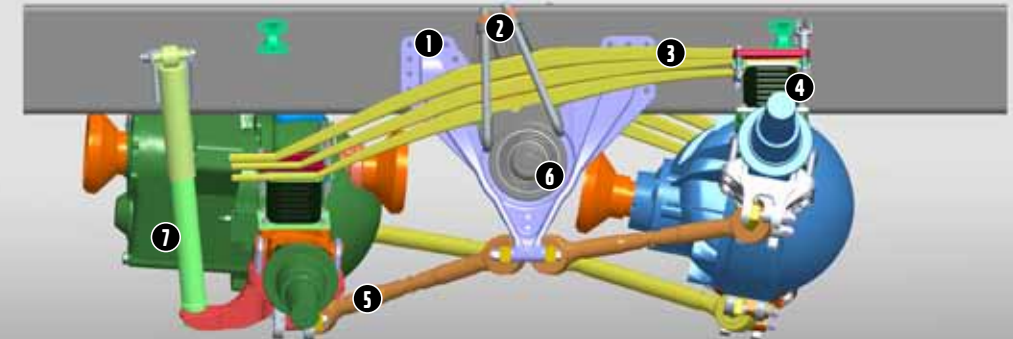
Volvo VHD models are designed for reliable performance in extreme weather, rugged terrain and crowded construction sites. Whether as a straight truck or tractor, the Volvo VHD is ready and willing to help you tackle any job. Volvo offers four custom axle configurations to choose from (4x2, 6x4, 8x4 and 8x6), an available 42" sleeper option in the VHD 430, partial or full frame liners with up to 4,200,000 RBM, and available tri-drive rear axles for higher GVWR and legal requirements.

The clean back of cab on axle forward models allows the body to be mounted closer to the cab for better weight transfer to the front axle, which increases your payload capacity and profit. Frame rail options include a taller standard profile that is 3-6 pounds lighter per foot, yet strong enough to do the work of a double frame – increasing payload.

T-RIDE SUSPENSION

The VHD suspension system is designed to deliver the best ride under the worst conditions. The standard Volvo T-Ride suspension features trunion-mounted springs and rubber towers for excellent traction and articulation in off-road conditions.

With rear axle capacities to 58,000 pounds, a full 17 inches of articulation in the suspension, low-maintenance nylon bushings and maintenance-free sealed V-rods and torque rods, Volvo's T-Ride suspension delivers non-stop performance in extreme conditions.



- | | |
|---|--|
| <ol style="list-style-type: none"> 1. Twin, maintenance-free, v-rods maintain axle geometry without limiting movement 2. Huck-spin attachments eliminate re-torque requirements 3. Four shock absorbers 4. Four maintenance-free alignment arms maintain axle geometry without limiting movement 5. Rubber encased steel plate tower provides only vertical loading to springs | <ol style="list-style-type: none"> 6. Teflon center bushing 7. 34,000 to 58,000 pounds
Three parabolic spring types <ul style="list-style-type: none"> • 5-leaf soft • 3-leaf • 2-leaf firm Two multi-leaf flat spring types <ul style="list-style-type: none"> • 11-leaf narrow spring • 9-leaf narrow spring |
|---|--|



THE BEST HANDLING UNDER TOUGH CONDITIONS

The VHD offers a panoramic one-piece windshield, sloped side windows, sloped hood, and split rear view mirror design, giving you best-in-class visibility for a better view of where you're going. With Volvo's highly responsive steering, this truck handles beautifully whether you're driving in heavy traffic or heavy snow. Vents in the door and dash help keep your view clear on all sides.



WHEEL CUT

Through strategic positioning of the steering gear, Volvo maximizes the wheel cut with either of the 29" or 51" front axle positions. With a front suspension design that provides a more comfortable ride and a vocational aluminum wheel, a wheel cut of up to 50 degrees delivers one of the tightest turning radius in the industry.





PRODUCTIVITY FROM A DRIVER'S PERSPECTIVE

Volvo VHD trucks work hard to keep drivers comfortable on the job, no matter where the job takes them. Cab doors are double sealed with separate inner and outer seals to keep out water, wind and noise, and a sophisticated air filtration system keeps the cabin free of dust and pollen. Superior insulation and soundproofing keeps the cab as quiet as most passenger cars. An advanced climate control system maintains a comfortable cab temperature inside, regardless of the weather outside. The largest one-piece windshield in the industry gives an unobstructed view, allowing easy maneuvering on busy job sites or crowded streets. And you'll find extra room between seats, and ample storage space for tools and personal gear.

INFORMATION AT YOUR FINGERTIPS

In the dash, the Driver Information Display gives you fast access to gauges and key diagnostic information. Controls are within easy reach, with often-used switches located on the steering wheel. The steering wheel is designed to offer the best possible grip, and the steering column tilts from zero to 32 degrees and telescopes a full 4.5" for precise positioning and comfortable driving. Volvo's standard Bluetooth radio package has an integrated design which allows drivers to view pertinent incoming and outgoing call information on the vehicle's oversized Driver Information Display.

INTERIOR TRIM

In addition to ergonomic seating in all models, there are three trim packages to choose from.





THE VHD POWERTRAIN BRUTE FORCE AT YOUR SERVICE

It has never been easier to perform multiple tasks with your truck, thanks to Volvo's power take-off (PTO). No matter what body you operate or accessory you have to drive, the Volvo VHD has the correct PTO. With the ability to provide up to five PTO drive connections in three different positions (Front Engine PTO, Rear Engine PTO and Transmission Mounted PTO) for gear pumps, piston pumps or direct drive shaft connections the VHD has what you need.

Engine options include up to 500hp in a medium length hood (113" BBC). The VHD features Volvo's D11 and D13 liter engines offering 325 to 500hp and 1250 to 1750 lb-ft of torque.

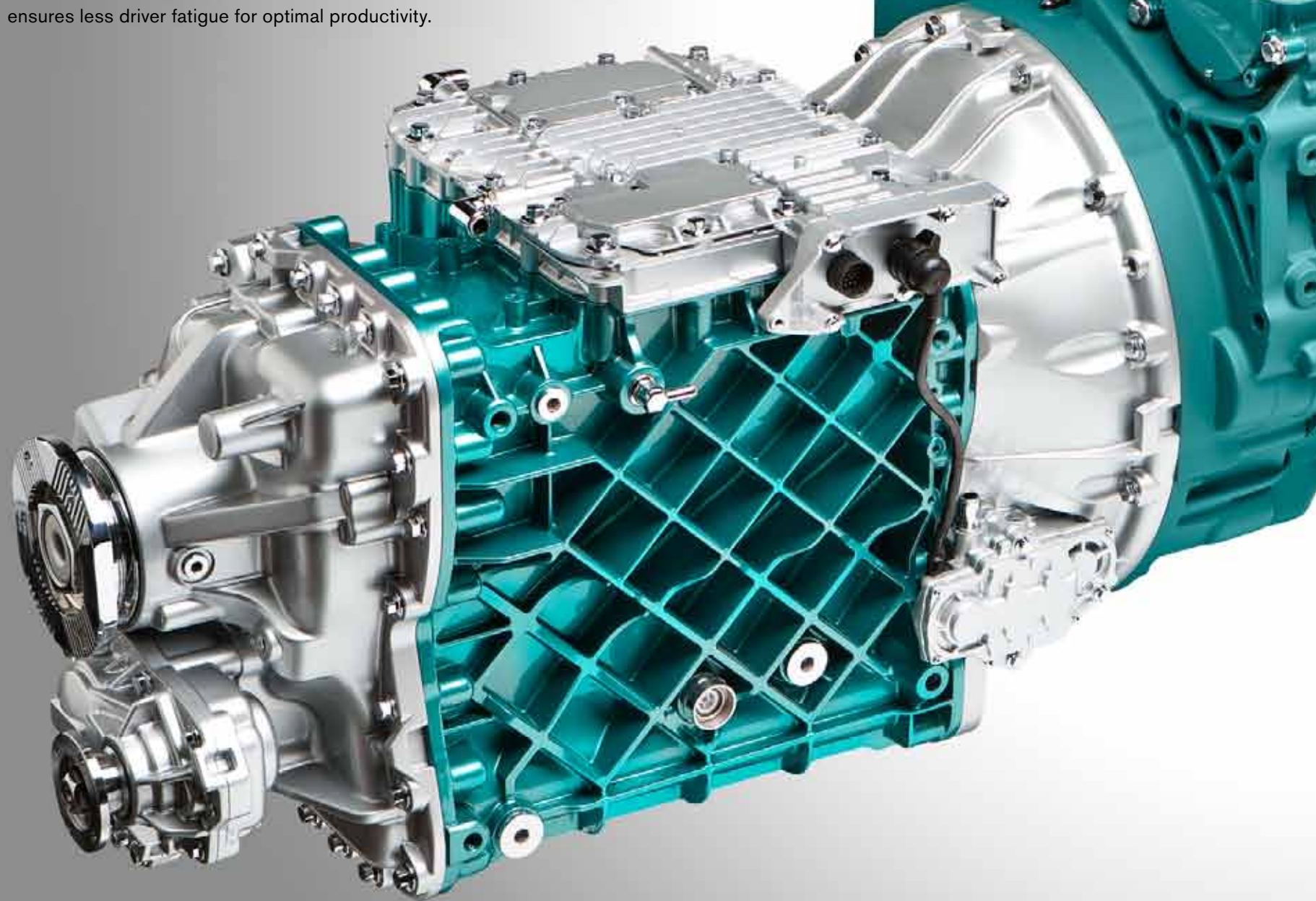
FUEL EFFICIENCY

Reducing fuel costs is a priority for every truck and fleet on the road today. The benefits of increased fuel efficiency are simple: you save money and reduce CO2 emissions. Volvo eliminates NOx with the proven and highly efficient process of SCR: Selective Catalytic Reduction. Volvo engines with SCR technology have near-zero emissions with less fuel consumption. This also reduces the need for active regenerations on the jobsite – meaning greater component capacity, a more productive truck, and fuel that is used to haul, not clean the emission system.



I-SHIFT MORE PERFORMANCE, LESS WEIGHT

Volvo's I-Shift transmission offers the convenience of an automatic with the performance of a manual. With the I-Shift transmission, you're always in the right gear no matter the payload or terrain. I-Shift also means quicker shifting during critical load-pulling scenarios and a quick rocking response in adverse conditions. The convenience of an automated transmission also ensures less driver fatigue for optimal productivity.



PERFORMANCE SOFTWARE PACKAGE

Volvo VHDs offer Enhanced Performance mode, or P+, on I-Shift transmissions with Volvo engines, adapted for construction and heavy haul applications. This mode includes various functions that adapt gearshifts and gear selection to poor driving surfaces and hilly road stretches. It also includes functions that aid starting from a standstill in less than ideal driving conditions.

POWER LAUNCH

The P+ Power Launch feature is achieved as engine rpms are increased as necessary to provide extra torque when starting from a standstill, when loaded to capacity, or on poor terrain. The feature matches torque to the terrain minimizing wheel slip on soft surfaces.





PARTS, SERVICE, RELIABILITY, DURABILITY

Volvo starts with building a great truck. In addition to a three-piece bumper, grill guard, electrical connections at the back of the cab and frame rail end, Volvo offers a body builder module designed for specific applications to provide electronic communication interface between the truck and body. Body builder connections and cable pass-through make body installation more efficient, while improving electrical connection reliability.

When you drive a Volvo VHD, you're also backed by a long-standing tradition of parts and service excellence. From the highest-quality components, and parts that are readily available, to ease and accessibility for routine maintenance, Volvo provides you with everything you need to keep your VHD operating at peak performance, day after day.



Every VHD comes standard with the industry's leading collision-protection technology. In the event of a collision, the High Strength Steel Cab and three-point safety harness protect the driver while the airbag deploys. The engine and transmission are designed to drop down and away from the driver as the steering column automatically collapses to absorb energy from the crash.

While Volvo is the first name in collision protection, we're also the leader in collision avoidance with safety features like daytime running lights, spray suppression, self-cleaning steps and Volvo Enhanced Stability Technology (VEST) to help prevent collisions, especially those that come from interaction with other vehicles on the road.

VEST is designed to assist drivers in avoiding jackknives and rollovers before they happen – and often before a driver is aware that anything is wrong. VEST sensors continuously monitor and react to multiple vehicle parameters and conditions, derating the engine, engaging the engine brake, and applying brakes independently at each wheel end as needed to help the driver safely bring the truck under control.



THE INDUSTRY'S SAFETY LEADER

Volvo has been the industry leader in safety since 1927. Today, the VHD incorporates Volvo's most advanced safety technologies to help you avoid collisions or protect you in a crash. All Volvo trucks are designed to pass the Offset Barrier Test, and we set the standard in safety by exceeding the Swedish Cab Impact Test, the toughest crash standard in the world.



VOLVO

Volvo Trucks

www.volvotrucks.com

Volvo Trucks North America
7900 National Service Road
Greensboro, NC 27409

Volvo Trucks Canada
2100 Derry Road West, Suite 410
Mississauga, Ontario L5N 0B3

Some vehicles shown with optional equipment.

©2013 Volvo Group North America, LLC